



US00D976627S

(12) **United States Design Patent**
Wen

(10) **Patent No.:** **US D976,627 S**

(45) **Date of Patent:** **** Jan. 31, 2023**

- (54) **SWIVEL**
- (71) Applicant: **Jinguang Wen**, Edmonds, WA (US)
- (72) Inventor: **Jinguang Wen**, Edmonds, WA (US)
- (**) Term: **15 Years**
- (21) Appl. No.: **29/734,122**
- (22) Filed: **May 8, 2020**
- (51) **LOC (14) Cl.** **06-06**
- (52) **U.S. Cl.**
USPC **D6/716.7**
- (58) **Field of Classification Search**
USPC D6/334-336, 356, 364, 365, 366, 367,
D6/374, 375, 716, 716.1, 716.2, 716.3,
D6/716.4, 716.7
CPC A47C 1/031; A47C 1/03255; A47C 3/18;
A47C 3/20; B60N 2/04; B60N 2/14;
B60N 2/143; B60N 2/146
See application file for complete search history.

- 4,792,188 A * 12/1988 Kawashima B60N 2/146
297/344.21
- D574,636 S * 8/2008 Peng D6/716.7
- 9,579,995 B2 * 2/2017 Haller B60N 2/14
- 2020/0384897 A1 * 12/2020 Rogg B60N 2/146
- 2021/0221260 A1 * 7/2021 Hong B60N 2/14

OTHER PUBLICATIONS

Swivel Seat Base by Amazing Auto Inc., from web.archive.org, Date captured: Jun. 23, 2021, p. 1, from https://web.archive.org/web/20210623170403/https://diyvan.com/products/swivel-seat-base-by-amazing-auto-inc (Year: 2021).*

* cited by examiner

Primary Examiner — Mimosa De
(74) *Attorney, Agent, or Firm* — Che-Yang Chen; Law Office of Michael Chen

(57) **CLAIM**

The ornamental design for a swivel, as shown and described.

DESCRIPTION

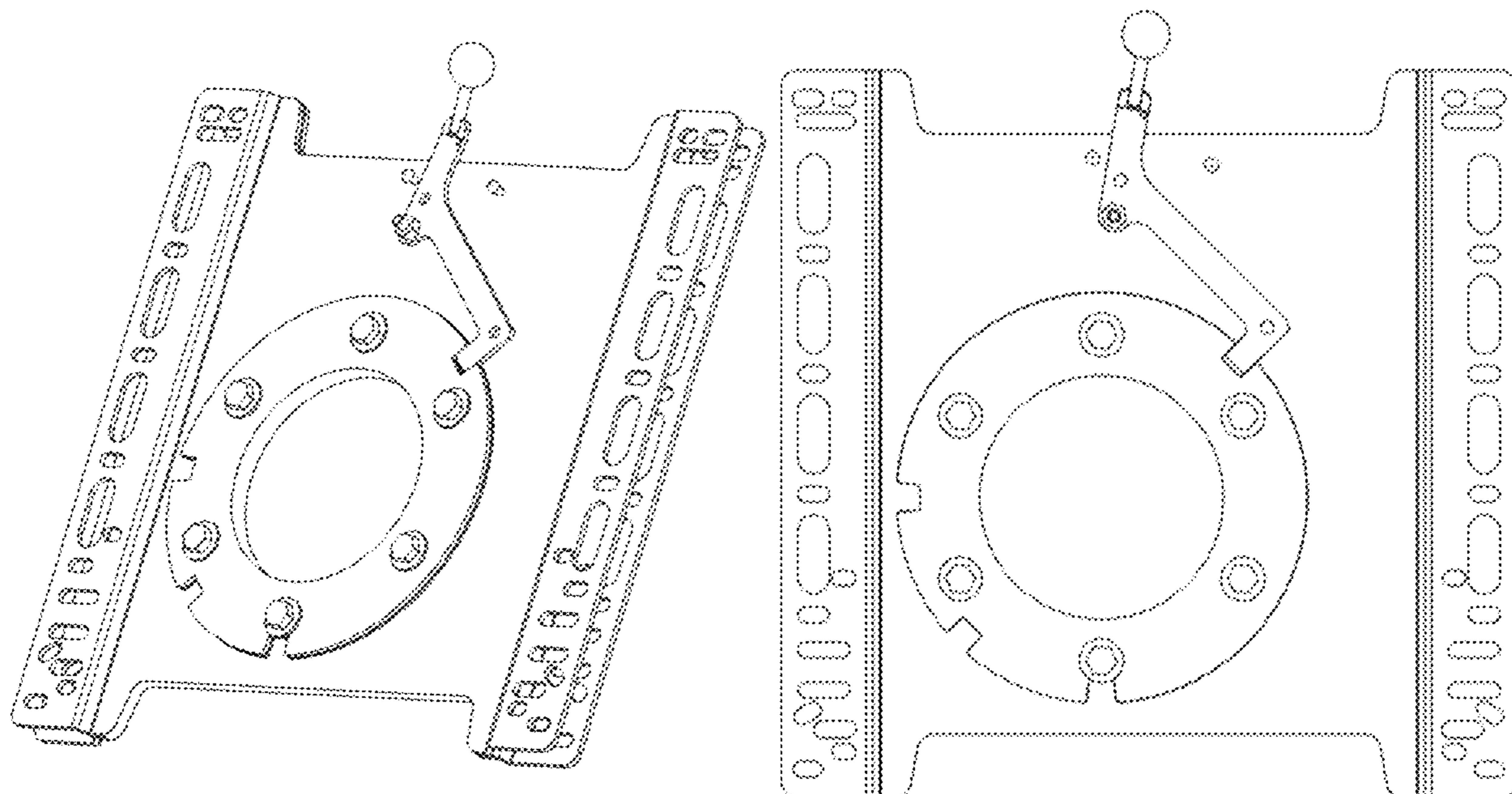
FIG. 1 is a perspective view of the swivel showing my new design;
FIG. 2 is a front elevational view thereof;
FIG. 3 is a rear elevational view thereof;
FIG. 4 is a left elevational view thereof;
FIG. 5 is a right elevational view thereof;
FIG. 6 is a top plan view thereof; and,
FIG. 7 is a bottom plan view thereof.

1 Claim, 5 Drawing Sheets

(56) **References Cited**

U.S. PATENT DOCUMENTS

- 3,860,283 A * 1/1975 Colautti B60N 2/146
297/344.22
- D259,457 S * 6/1981 Smith D6/716.7
- D279,635 S * 7/1985 Aasen D6/716.7
- 4,705,256 A * 11/1987 Hofrichter B60N 2/146
297/344.22



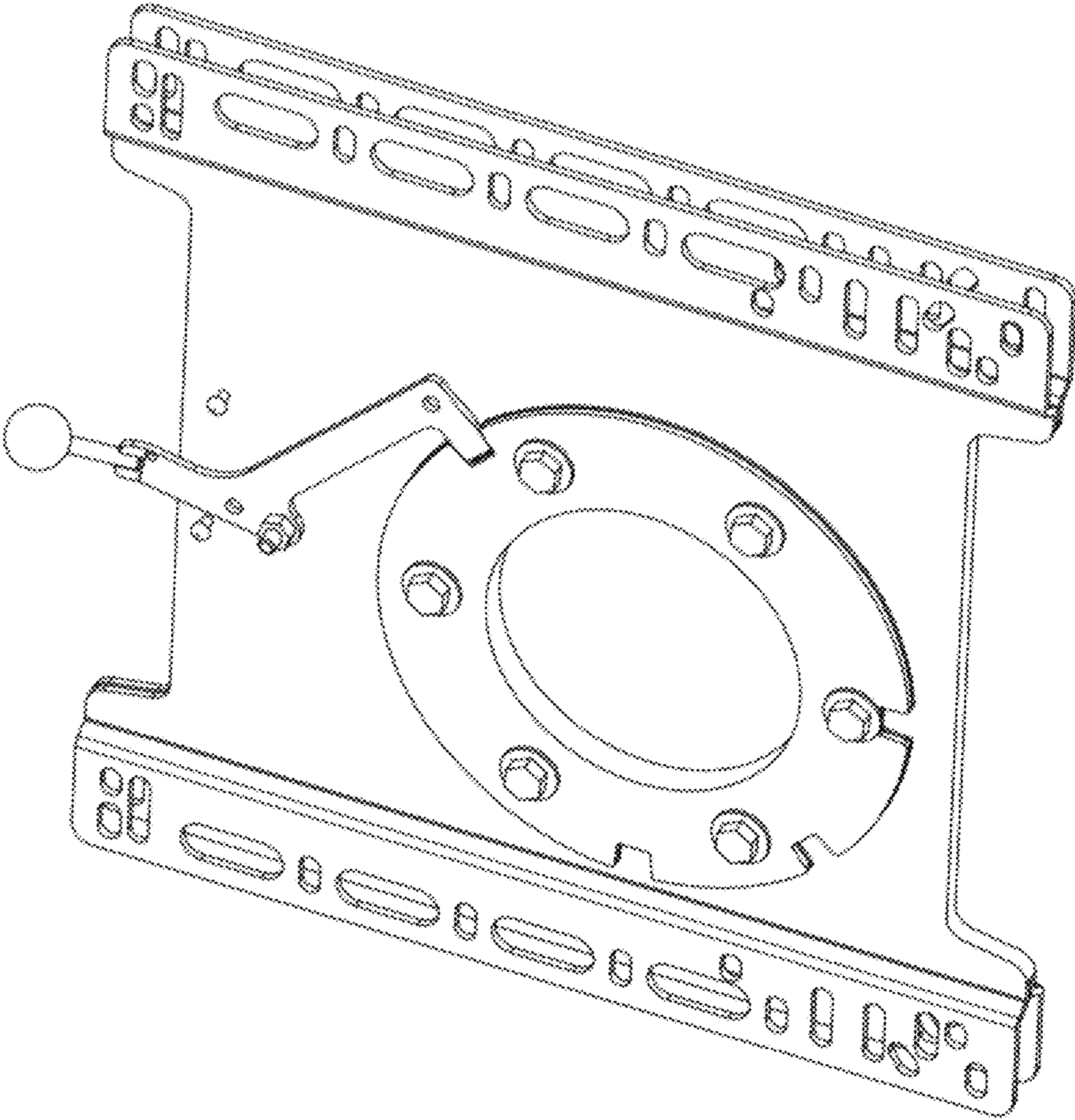


FIG. 1

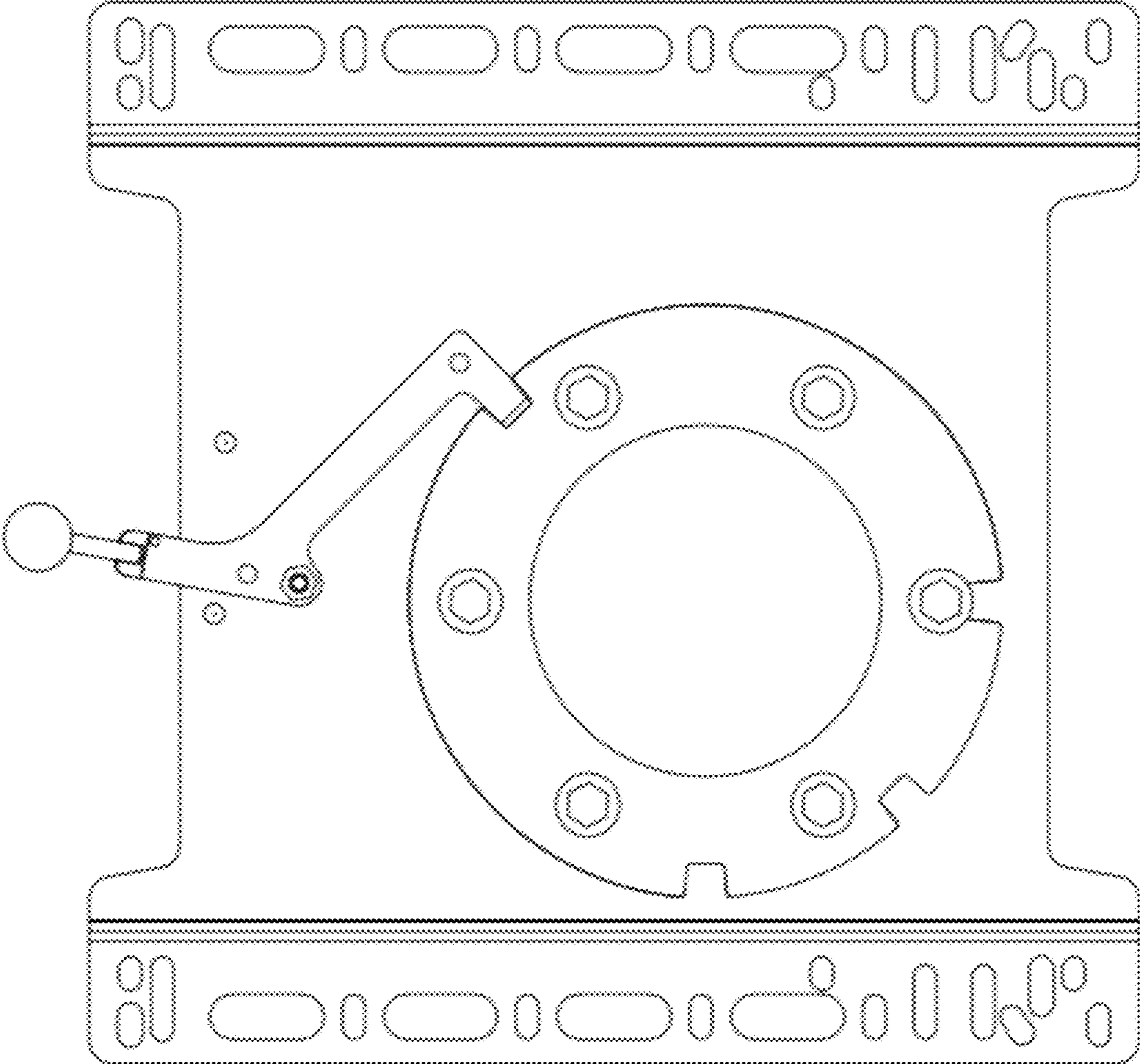


FIG. 2

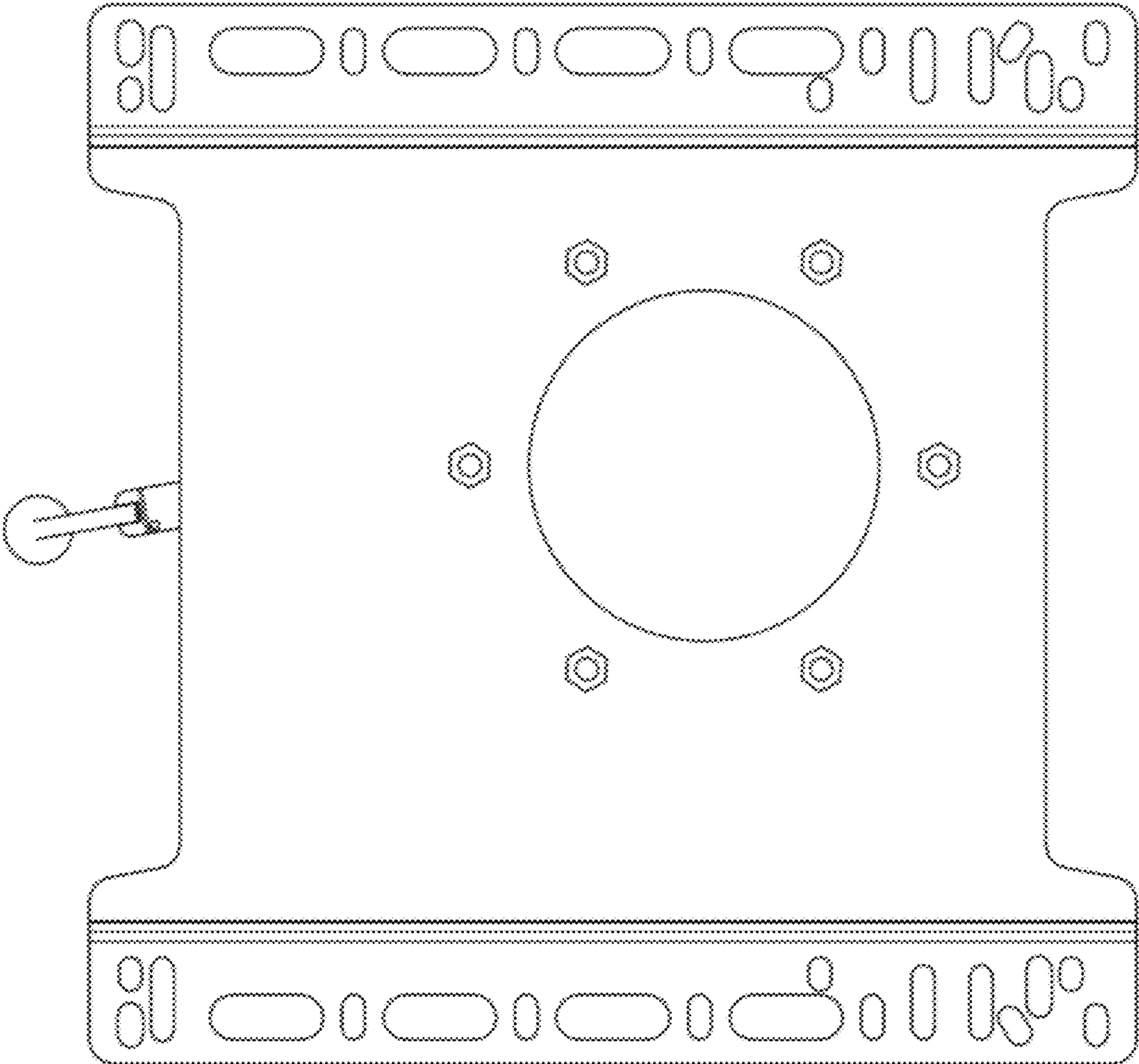


FIG. 3

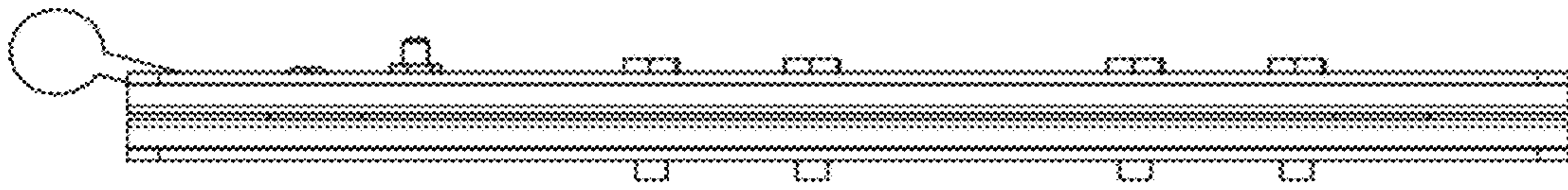


FIG. 5

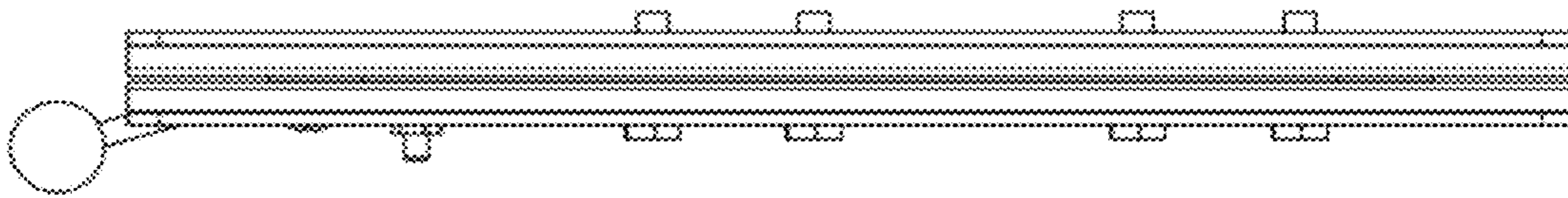


FIG. 4

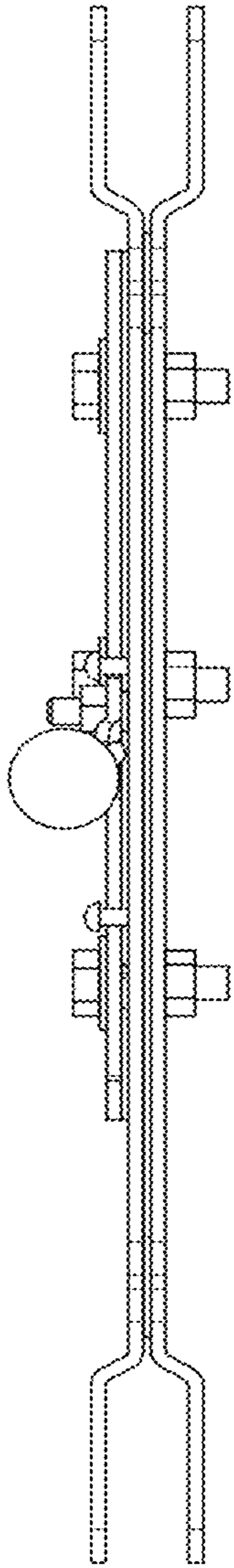


FIG. 6

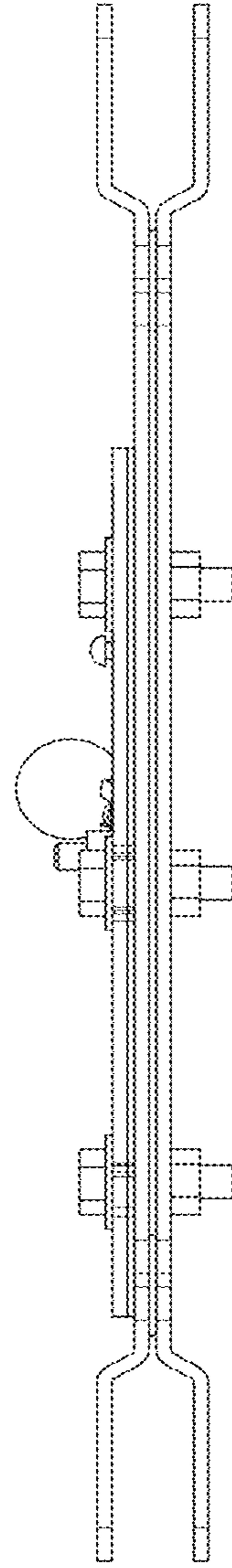


FIG. 7