



US00D976626S

(12) **United States Design Patent**  
**Shin et al.**

(10) **Patent No.:** **US D976,626 S**  
(45) **Date of Patent:** **\*\* Jan. 31, 2023**

(54) **CHECKOUT STAND**  
(71) Applicant: **HANWHA TECHWIN CO., LTD.**,  
Seongnam-si (KR)  
(72) Inventors: **Joo Young Shin**, Seongnam-si (KR);  
**Mun Jun Park**, Seongnam-si (KR)  
(73) Assignee: **HANWHA TECHWIN CO., LTD.**,  
Seongnam-si (KR)

2,884,094 A \* 4/1959 Roy ..... A47F 9/04  
312/140.1  
2,909,020 A \* 10/1959 Mersky ..... A47F 9/042  
312/61  
2,978,069 A \* 4/1961 Shoffner ..... A47F 9/04  
186/66  
D192,545 S \* 4/1962 Schild ..... D6/698  
D193,079 S \* 6/1962 Hittinger ..... D6/698  
3,077,950 A \* 2/1963 Brown ..... A47F 9/043  
221/104  
D241,997 S \* 10/1976 Granville ..... D6/698  
4,063,401 A \* 12/1977 Higgins ..... B65B 9/135  
53/567

(\*\*) Term: **15 Years**

(Continued)

(21) Appl. No.: **29/745,170**

(22) Filed: **Aug. 4, 2020**

(30) **Foreign Application Priority Data**

Feb. 6, 2020 (KR) ..... 30-2020-0005034

(51) **LOC (14) Cl.** ..... **06-03**

(52) **U.S. Cl.**  
USPC ..... **D6/699**

(58) **Field of Classification Search**  
USPC .... D6/669-699.5, 698, 675.1, 553, 672, 567  
CPC .. A47F 9/047; A47F 9/04; A47F 9/048; A47F  
9/046; A47F 2009/041; A47F 9/045;  
A47F 9/042; A47F 10/02; A47F 9/043;  
A47F 11/10; A47F 10/00; A47F 9/00;  
A47F 2010/025; A47F 3/004; A47F 7/00;  
A47F 9/02; A47F 13/00; A47F 13/085;  
A47F 5/103; A47F 5/105

See application file for complete search history.

(56) **References Cited**

**U.S. PATENT DOCUMENTS**

D118,456 S \* 1/1940 Silverman ..... D6/699  
2,237,080 A \* 4/1941 Muse ..... A47F 9/04  
312/140.1  
D171,915 S \* 4/1954 Stapp ..... D6/698  
2,755,909 A \* 7/1956 Crawford ..... A47F 9/02  
198/816

**OTHER PUBLICATIONS**

QCO S5 by Hanwha Techwin Security Solution, first available: Dec. 23, 2021. Youtube.com [online], [site visited May 11, 2020], Internet URL: <https://www.youtube.com/watch?v=scSvqglNXFs> (Year: 2021).\*

(Continued)

*Primary Examiner* — Steven J Cxyz  
*Assistant Examiner* — Hillary Catherine Shepard  
(74) *Attorney, Agent, or Firm* — Sughrue Mion, PLLC

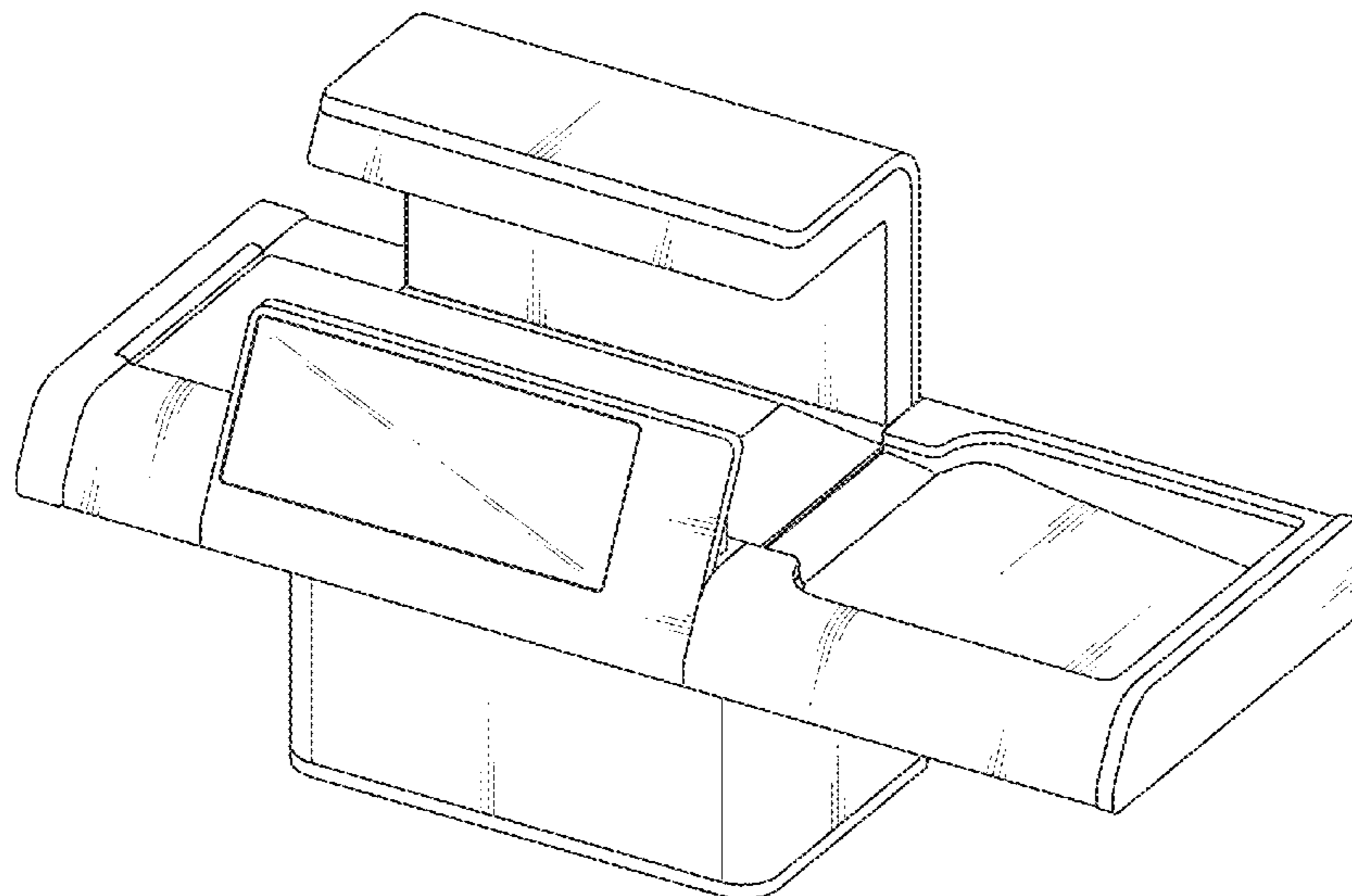
(57) **CLAIM**

The ornamental design for a checkout stand, as shown and described.

**DESCRIPTION**

FIG. 1 is a perspective view of a checkout stand, showing the new design;  
FIG. 2 is a front view thereof;  
FIG. 3 is a rear view thereof;  
FIG. 4 is a left side view thereof;  
FIG. 5 is a right side view thereof;  
FIG. 6 is a top plan view thereof; and,  
FIG. 7 is a bottom plan view thereof.

**1 Claim, 7 Drawing Sheets**



(56)

References Cited

U.S. PATENT DOCUMENTS

4,182,433 A \* 1/1980 Foster ..... A47F 9/04  
198/632  
4,265,336 A \* 5/1981 Foster ..... A47F 9/04  
198/632  
D261,710 S \* 11/1981 Onstead ..... D6/698  
4,306,633 A \* 12/1981 Langen ..... B65B 43/42  
53/390  
D264,723 S \* 6/1982 Tsujimoto ..... D15/145  
4,368,804 A \* 1/1983 Cole ..... A47F 9/04  
312/201  
4,548,295 A \* 10/1985 Lundgren ..... A47F 9/045  
186/59  
D283,379 S \* 4/1986 Adams ..... D6/698  
4,838,383 A \* 6/1989 Saito ..... G06K 7/10871  
186/59  
D326,024 S \* 5/1992 Boyd ..... 312/140.1  
D327,102 S \* 6/1992 Martin ..... D21/512  
D329,316 S \* 9/1992 Adams ..... D34/29  
5,167,301 A \* 12/1992 Cappi ..... B65B 43/123  
53/567  
5,494,136 A \* 2/1996 Humble ..... A47F 9/047  
235/383  
D431,932 S \* 10/2000 Dewitt ..... D6/698  
D439,434 S \* 3/2001 Dewitt ..... D6/698  
6,409,081 B1 \* 6/2002 Nugent, Jr. .... A47F 9/047  
235/383  
D541,079 S \* 4/2007 Brown ..... D6/657  
7,909,248 B1 \* 3/2011 Goncalves ..... G07G 1/0063  
235/462.14  
D740,595 S \* 10/2015 Kim ..... D6/672  
10,062,068 B1 \* 8/2018 George ..... G06Q 20/208  
10,081,496 B2 \* 9/2018 Bacallao ..... A47F 9/042  
D891,163 S \* 7/2020 Laitila ..... D6/698  
2002/0079168 A1 \* 6/2002 Addy ..... A47F 9/047  
186/61  
2003/0111296 A1 \* 6/2003 McQuaid ..... B65G 47/261  
186/68  
2003/0132064 A1 \* 7/2003 McQuaid ..... B65G 21/06  
186/68  
2003/0217892 A1 \* 11/2003 Persky ..... A47F 9/048  
186/68  
2004/0041021 A1 \* 3/2004 Nugent, Jr. .... G07G 1/0045  
235/383  
2004/0050626 A1 \* 3/2004 Lantz ..... A47F 9/042  
186/66

2005/0006176 A1 \* 1/2005 Kurtz ..... G07G 1/0054  
186/59  
2006/0076406 A1 \* 4/2006 Ulrich ..... G06Q 20/208  
235/383  
2008/0061139 A1 \* 3/2008 Roquemore ..... G01G 19/4144  
235/383  
2009/0032588 A1 \* 2/2009 Hassenzahl ..... G07F 19/20  
235/383  
2011/0210168 A1 \* 9/2011 Haibara ..... G07G 1/0054  
235/375  
2011/0253778 A1 \* 10/2011 Kaplan ..... A47F 9/047  
198/606  
2012/0158529 A1 \* 6/2012 Edwards ..... G06Q 20/208  
705/16  
2012/0187195 A1 \* 7/2012 Actis ..... G06K 7/10861  
235/479  
2013/0020392 A1 \* 1/2013 Olmstead ..... G07G 1/0063  
235/440  
2013/0085878 A1 \* 4/2013 Edwards ..... G07G 1/0054  
705/23  
2013/0320083 A1 \* 12/2013 Hammer ..... G07G 1/0045  
235/462.43  
2014/0040057 A1 \* 2/2014 Calderon ..... A47F 9/048  
186/68  
2014/0102856 A1 \* 4/2014 Ryabinin ..... G06K 7/10871  
198/572  
2014/0209675 A1 \* 7/2014 Collins, Jr. .... G07G 1/12  
235/383  
2016/0026985 A1 \* 1/2016 Dubois ..... G07G 1/0045  
705/16  
2016/0071385 A1 \* 3/2016 Chave ..... G08B 13/2474  
340/572.1  
2016/0236874 A1 \* 8/2016 Olofsson ..... B65G 47/31  
2017/0320672 A1 \* 11/2017 Credle ..... A47F 9/04  
2021/0174431 A1 \* 6/2021 Dhankhar ..... G07G 1/0063  
2021/0323031 A1 \* 10/2021 Mestichelli ..... B08B 1/006

OTHER PUBLICATIONS

Checkout QCO A5 by Hanwha Techwin, first available: Unknown.  
product.hanwha-security.com [online], [site visited May 11, 2020],  
Internet URL: [https://product.hanwha-security.com/en/products/  
checkout/qco/A/QCO%20A5/overview/](https://product.hanwha-security.com/en/products/checkout/qco/A/QCO%20A5/overview/) (Year: 2022).\*  
QCO A5 by Hanwha Techwin Security Solution, first available:  
Dec. 23, 2021. Youtube.com [online], [site visited May 11, 2020],  
Internet URL: <https://www.youtube.com/watch?v=zpKxDpuxy3s> (Year:  
2021).\*

\* cited by examiner

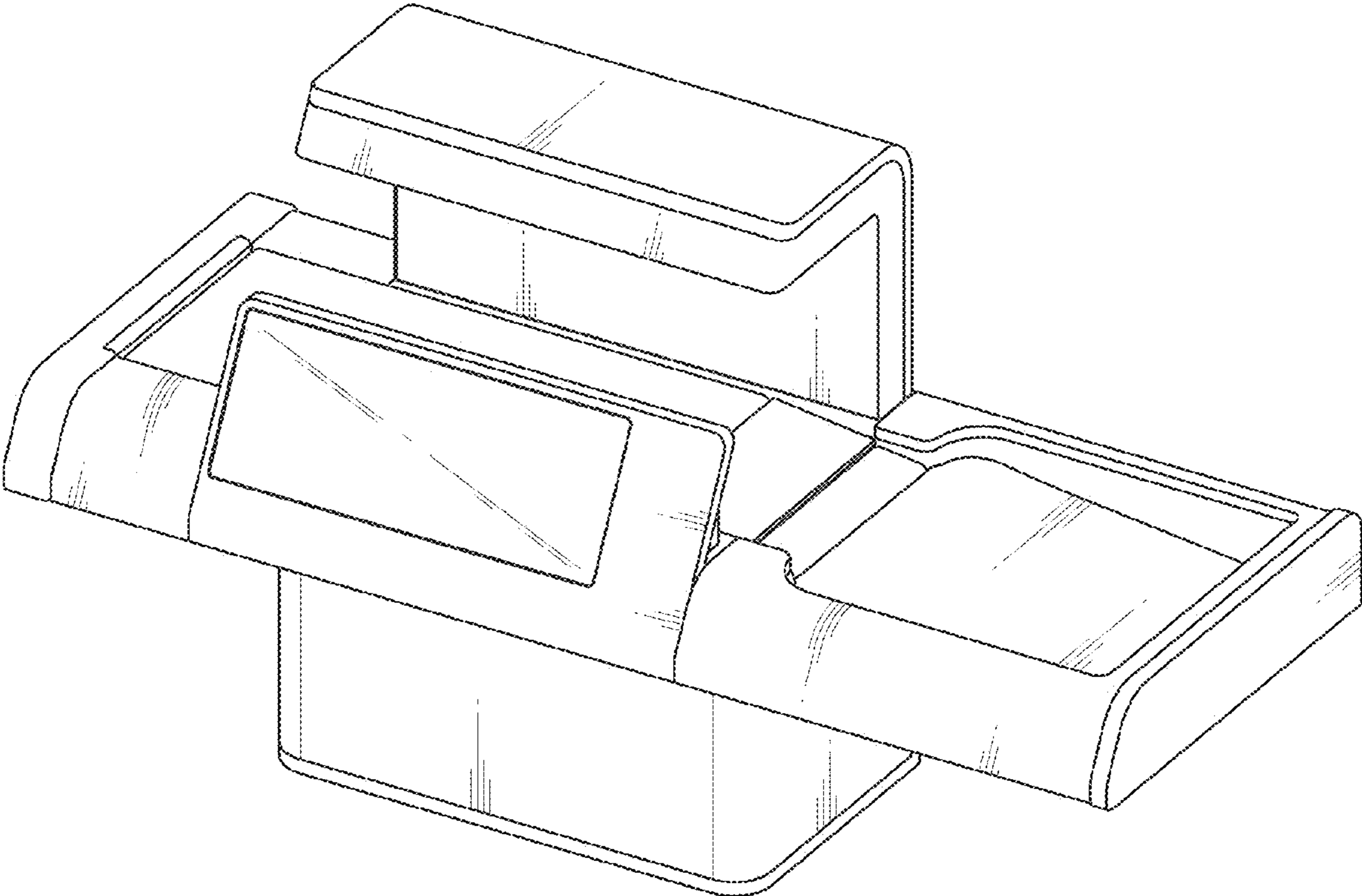


FIG. 1

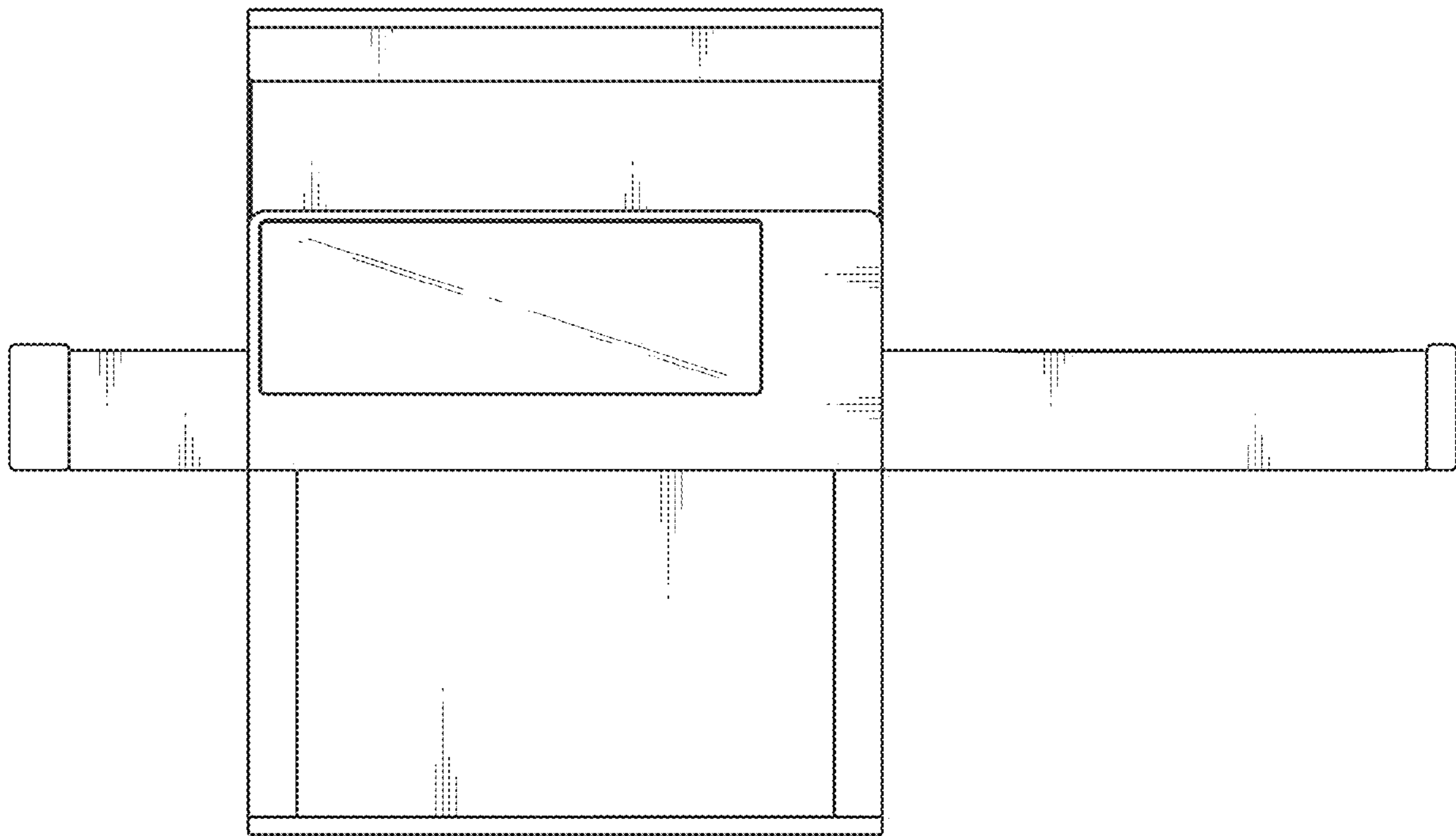


FIG. 2

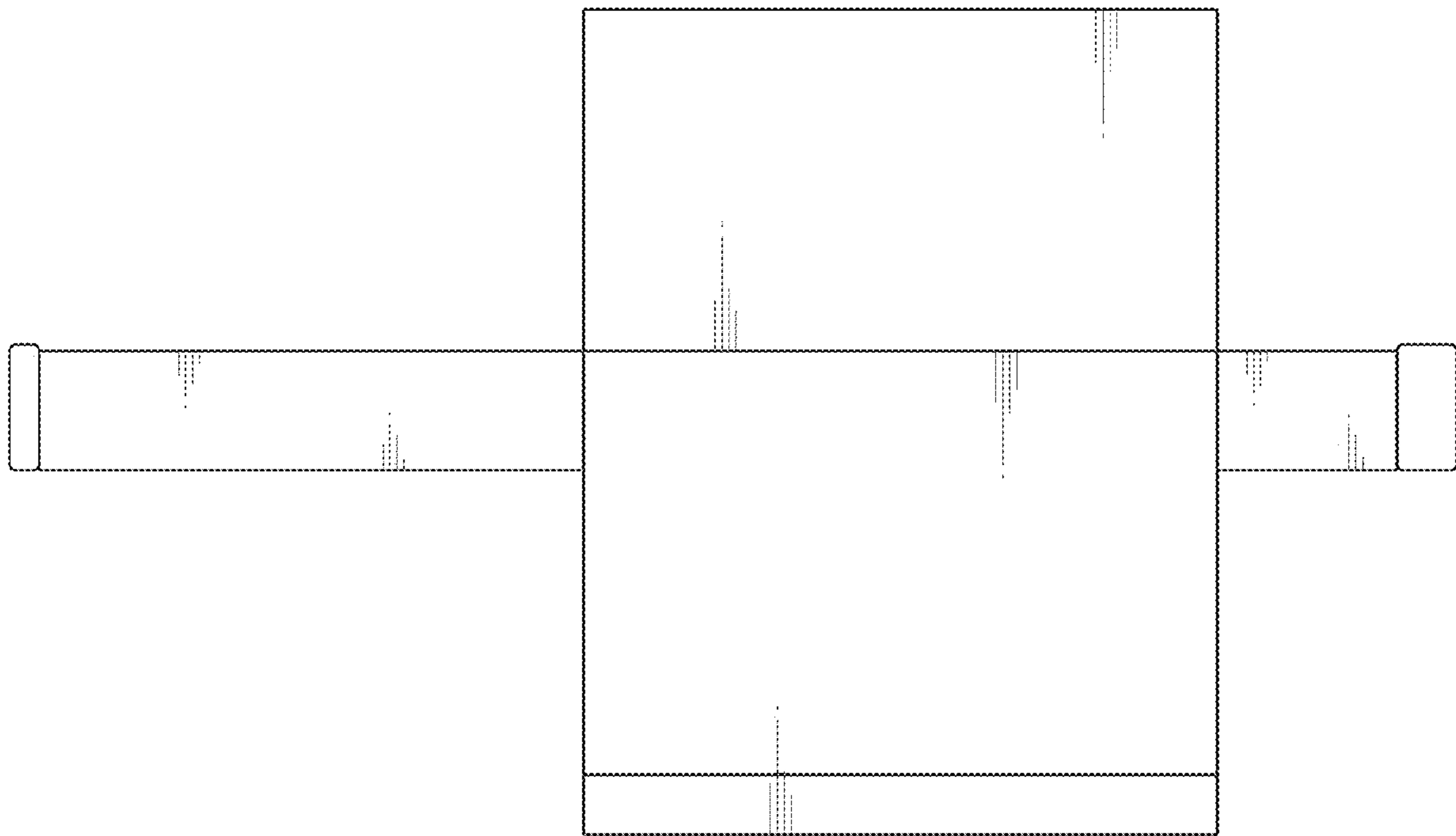


FIG. 3

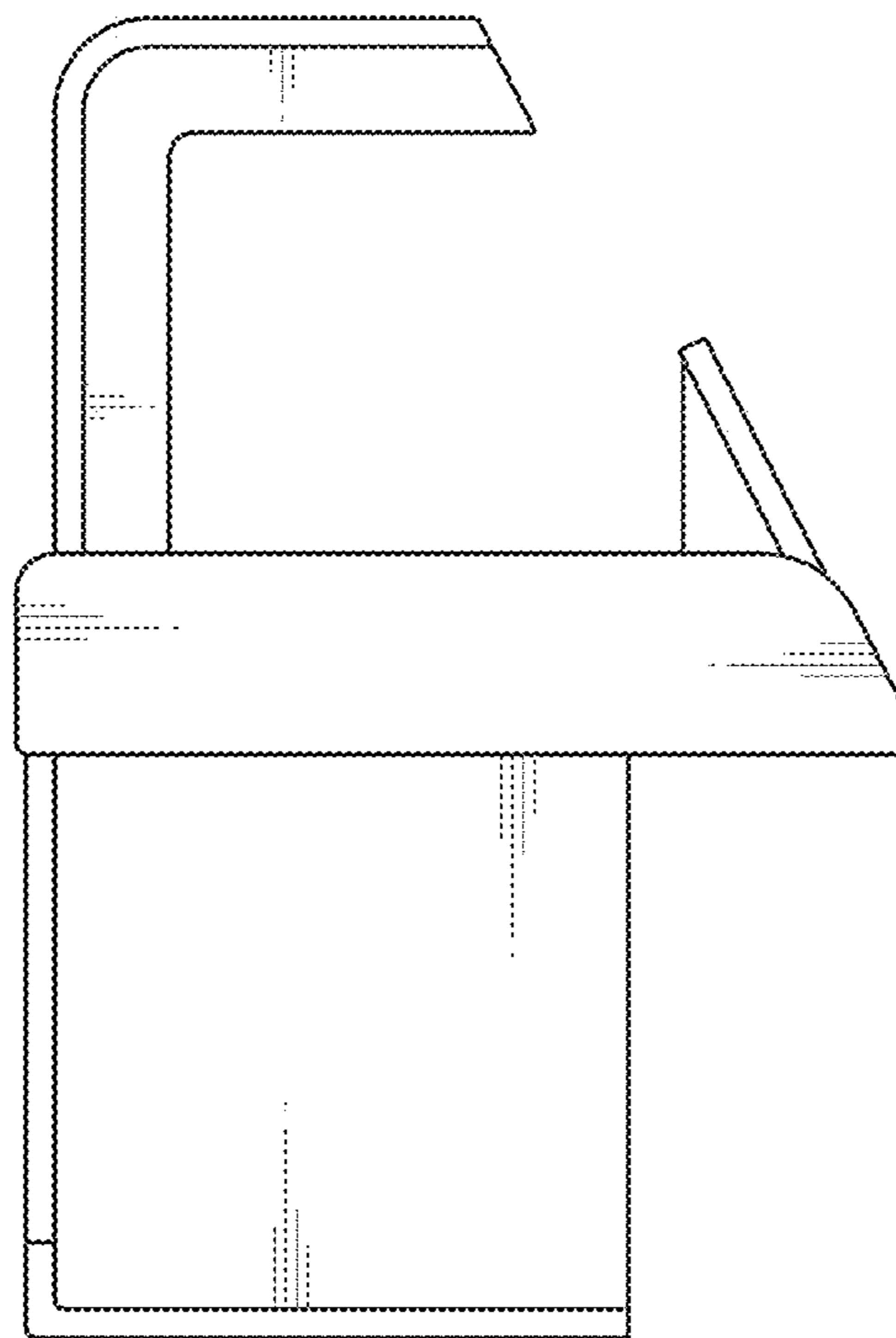


FIG. 4

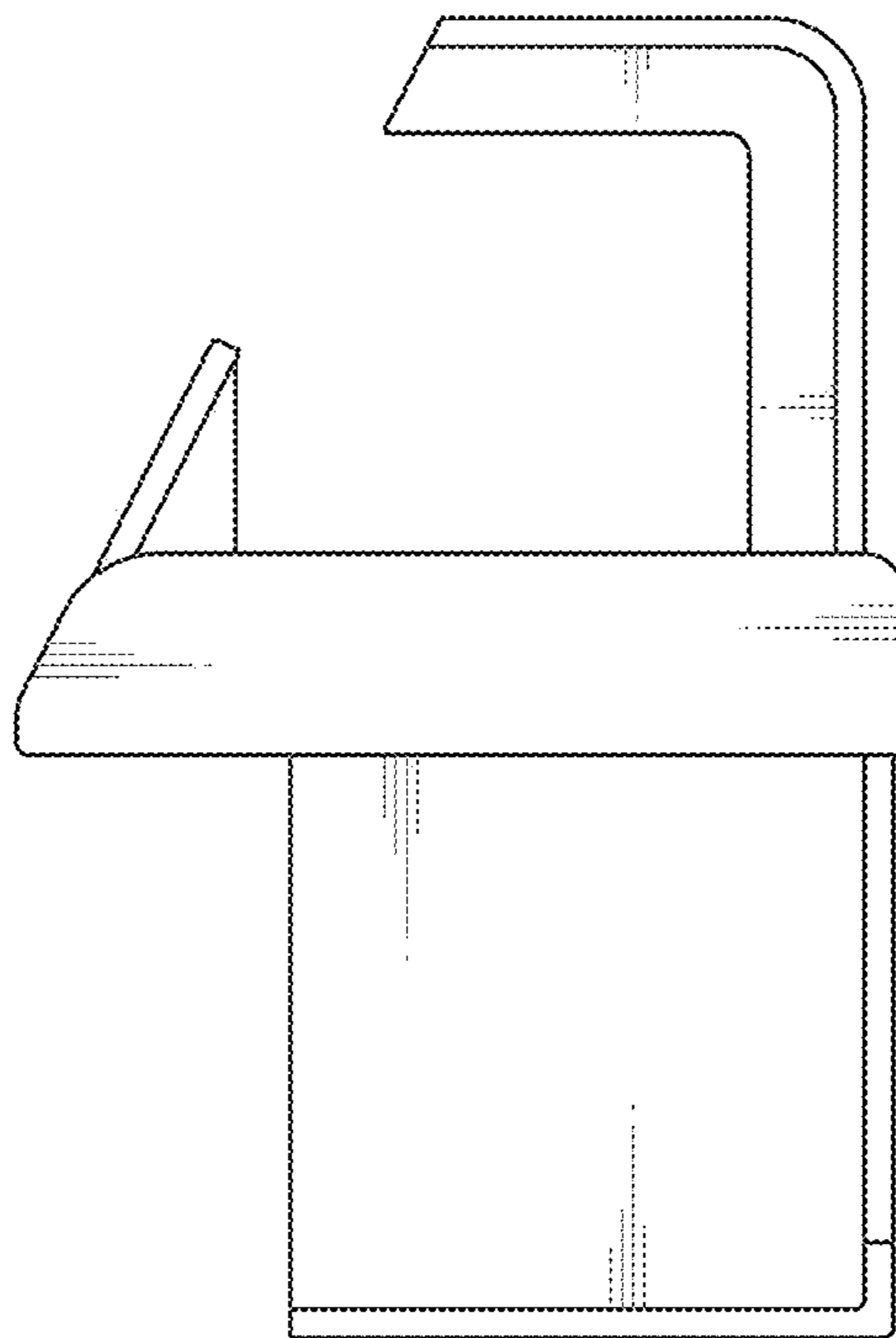


FIG. 5

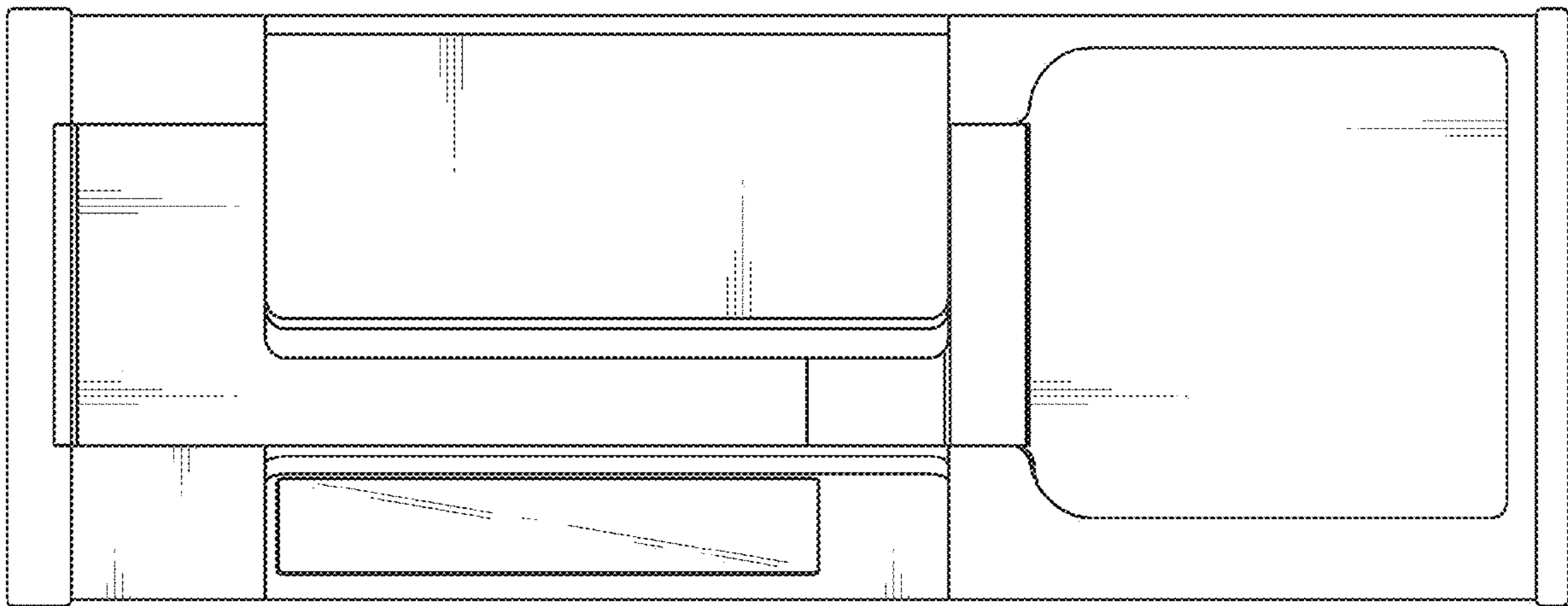


FIG. 6



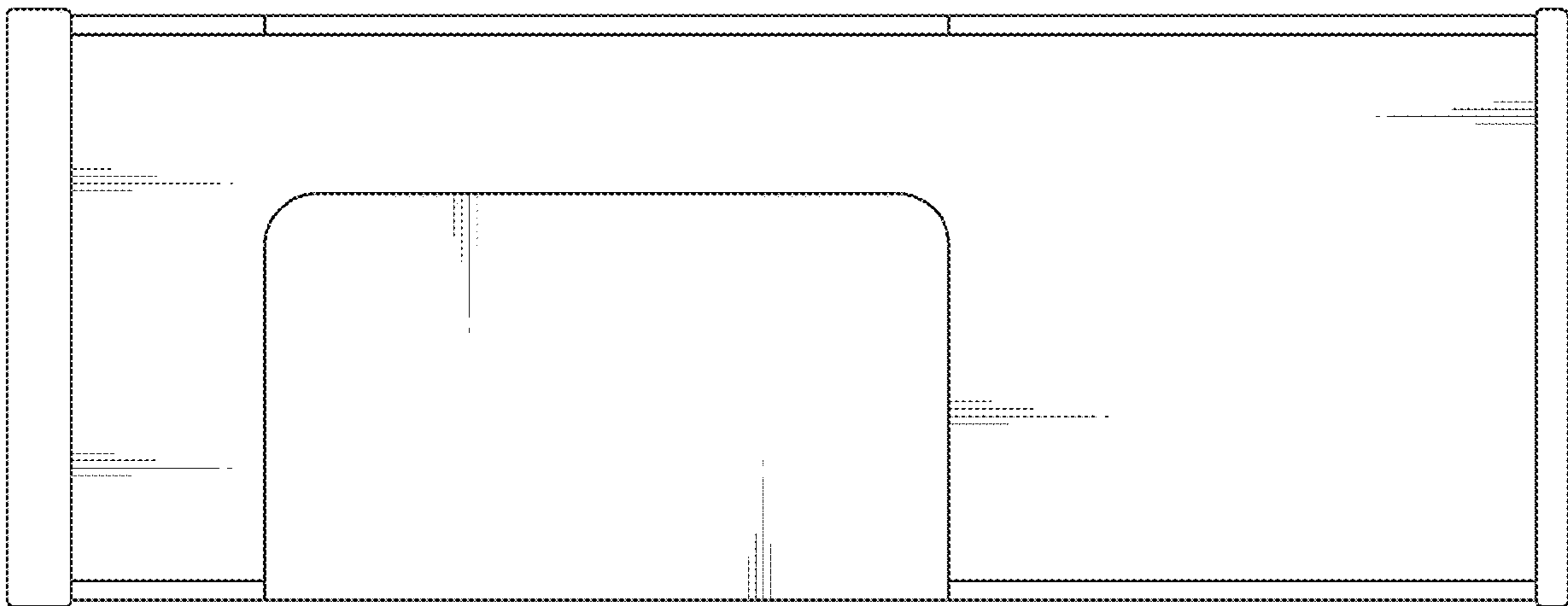


FIG. 7