



US00D976622S

(12) **United States Design Patent**
Lam

(10) **Patent No.:** **US D976,622 S**
(45) **Date of Patent:** **** Jan. 31, 2023**

(54) **STORAGE RACK**

(71) Applicant: **Yuenbiu Lam**, Hong Kong (CN)

(72) Inventor: **Yuenbiu Lam**, Hong Kong (CN)

(73) Assignee: **Yuenbiu Lam**, Hong Kong (CN)

(**) Term: **15 Years**

(21) Appl. No.: **29/854,536**

(22) Filed: **Sep. 26, 2022**

(51) **LOC (14) Cl.** **06-06**

(52) **U.S. Cl.**
USPC **D6/675.3**

(58) **Field of Classification Search**

USPC D6/672, 675, 675.2, 675.1, 675.3;
D7/600.1, 600.4, 601-602
CPC A47B 73/00; A47B 81/00; A47F 5/0018;
A47F 5/16; A47F 7/00; A47F 7/28; A47J
47/16

See application file for complete search history.

(56) **References Cited**

U.S. PATENT DOCUMENTS

D123,358 S	*	10/1940	West	D6/675.3
D135,025 S	*	2/1943	Hoffman	D6/675.3
D181,560 S	*	11/1957	Varnado, Sr.	D25/63
D207,564 S	*	5/1967	Hartford	D7/600.1
D372,374 S	*	8/1996	Weterrings	D6/663
5,570,540 A	*	11/1996	Womack	A47G 7/041 47/60
D507,431 S	*	7/2005	Goth	D6/675.3
D518,316 S	*	4/2006	Gusdorf	D6/675.3
D524,577 S	*	7/2006	Gusdorf	D6/675.3
D541,082 S	*	4/2007	Nomoto	D6/675.3
D555,936 S	*	11/2007	King	D6/675.3
D557,936 S	*	12/2007	Van Es	D6/675.3
D633,731 S	*	3/2011	Pohl	D6/675.3

D642,582 S	*	8/2011	Largy	D14/447
D737,079 S	*	8/2015	Tsai	D6/675.3
D755,546 S	*	5/2016	Johnson	D6/675.3
D801,089 S	*	10/2017	Greenwood	D6/675.3
D802,227 S	*	11/2017	Florey	D6/675.3
D802,370 S	*	11/2017	Tsai	D7/600.4
D813,575 S	*	3/2018	Kraemer	D6/675.3
D848,768 S	*	5/2019	Johnson	D6/662.1
D873,588 S	*	1/2020	Xiaojun	D6/675.3
D885,092 S	*	5/2020	Greenwood	D6/675.3
D911,782 S	*	3/2021	Li	D7/600.4
D923,368 S	*	6/2021	Chiang	D6/675.1
D923,421 S	*	6/2021	Cui	D7/600.4
D924,607 S		7/2021	Lo		
D931,057 S	*	9/2021	Xin	D7/600.4
D963,373 S	*	9/2022	Hu	D6/574
D963,892 S	*	9/2022	Greer	D25/69
D968,903 S	*	11/2022	Sabounjian	D7/600.4

* cited by examiner

Primary Examiner — Kelley A Donnelly

(74) *Attorney, Agent, or Firm* — Nitin Kaushik

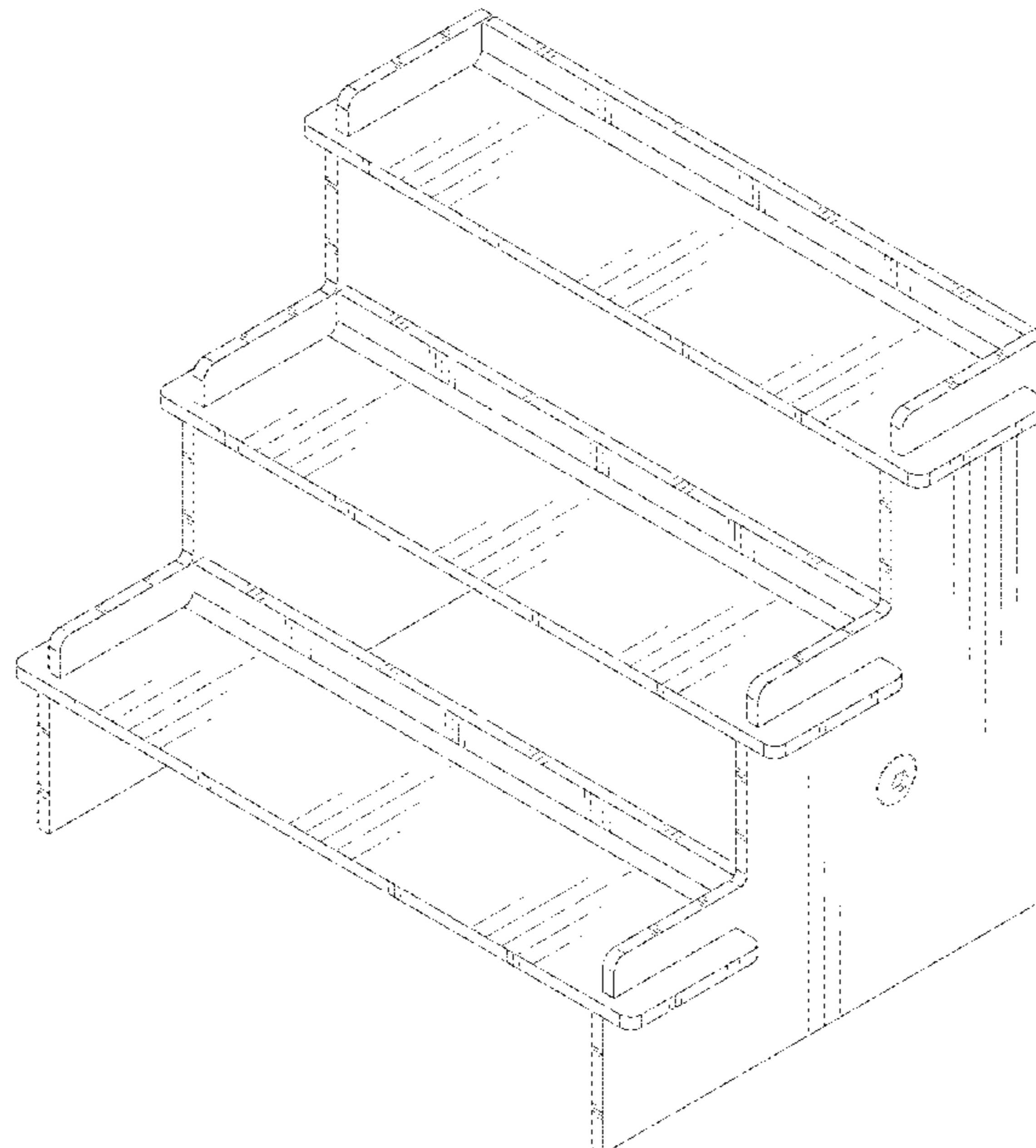
(57) **CLAIM**

The ornamental design for a storage rack, as shown and described.

DESCRIPTION

FIG. 1 is a front perspective view of a storage rack, showing my new design;
FIG. 2 is a rear perspective view thereof;
FIG. 3 is a front view thereof;
FIG. 4 is a rear view thereof;
FIG. 5 is a left side view thereof;
FIG. 6 is a right side view thereof;
FIG. 7 is a top view thereof; and,
FIG. 8 is a bottom view thereof.
The broken lines in the drawings illustrate the portions of the storage rack, which form no part of the claimed design.

1 Claim, 8 Drawing Sheets



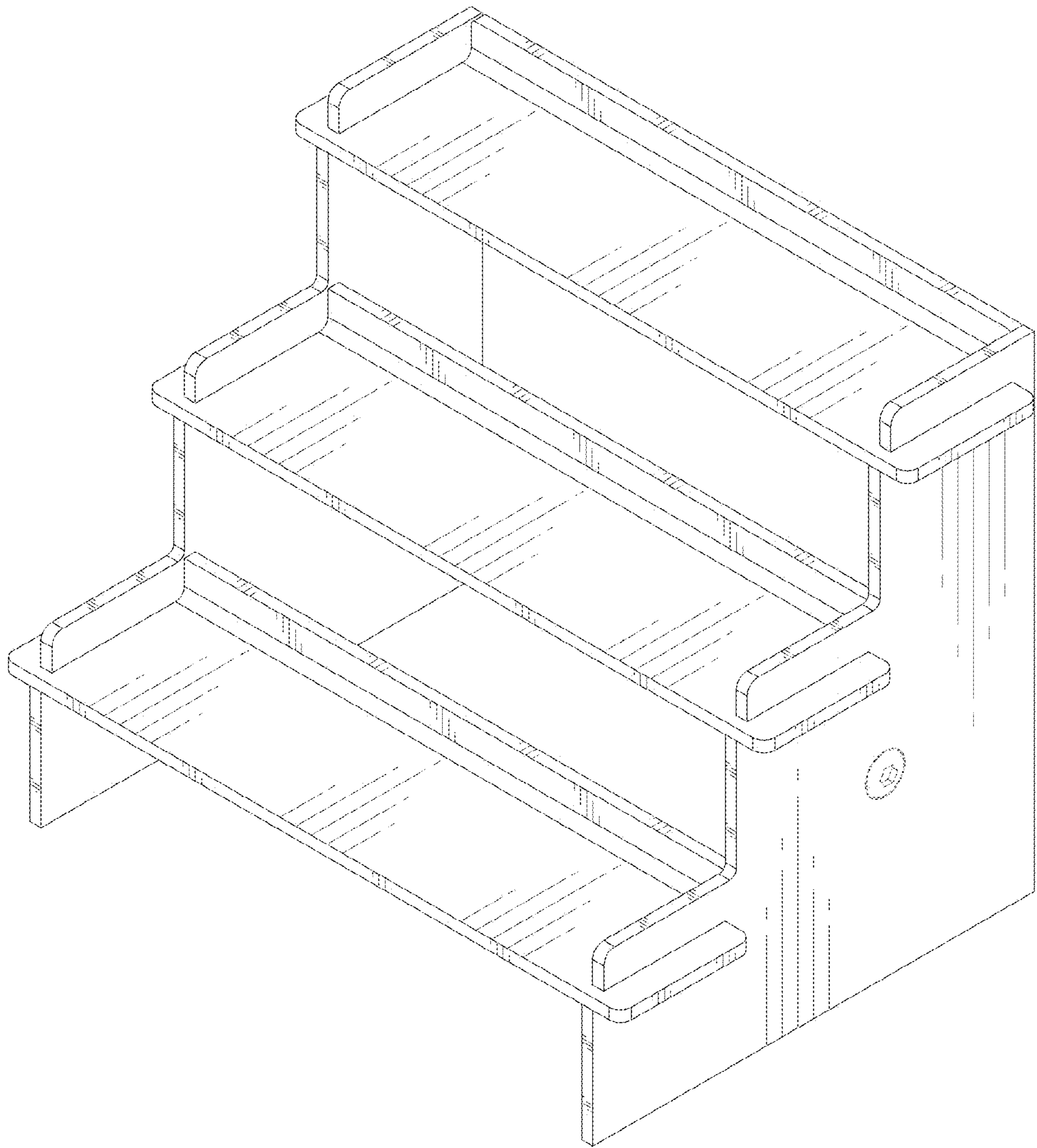


FIG. 1

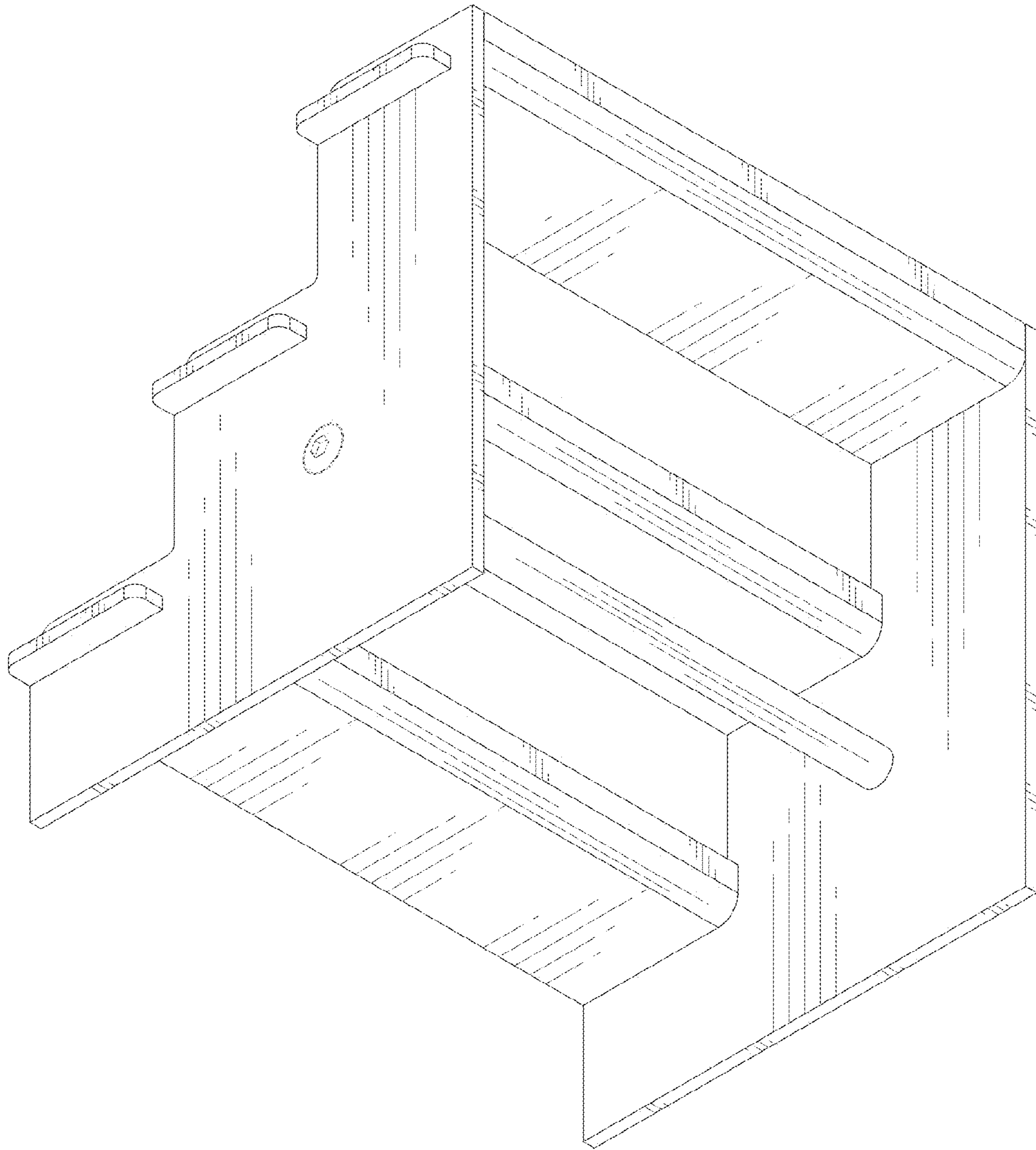


FIG. 2

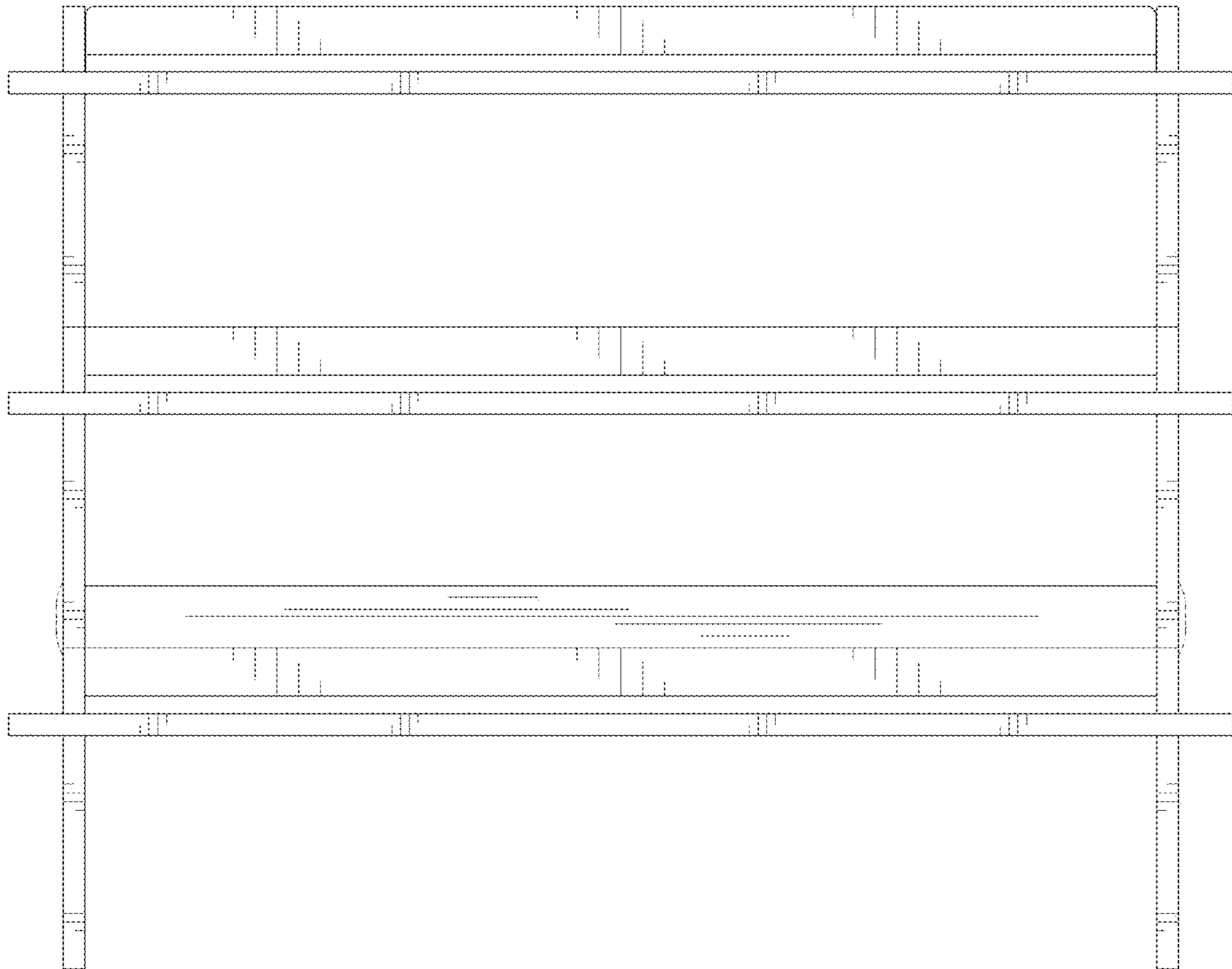


FIG. 3

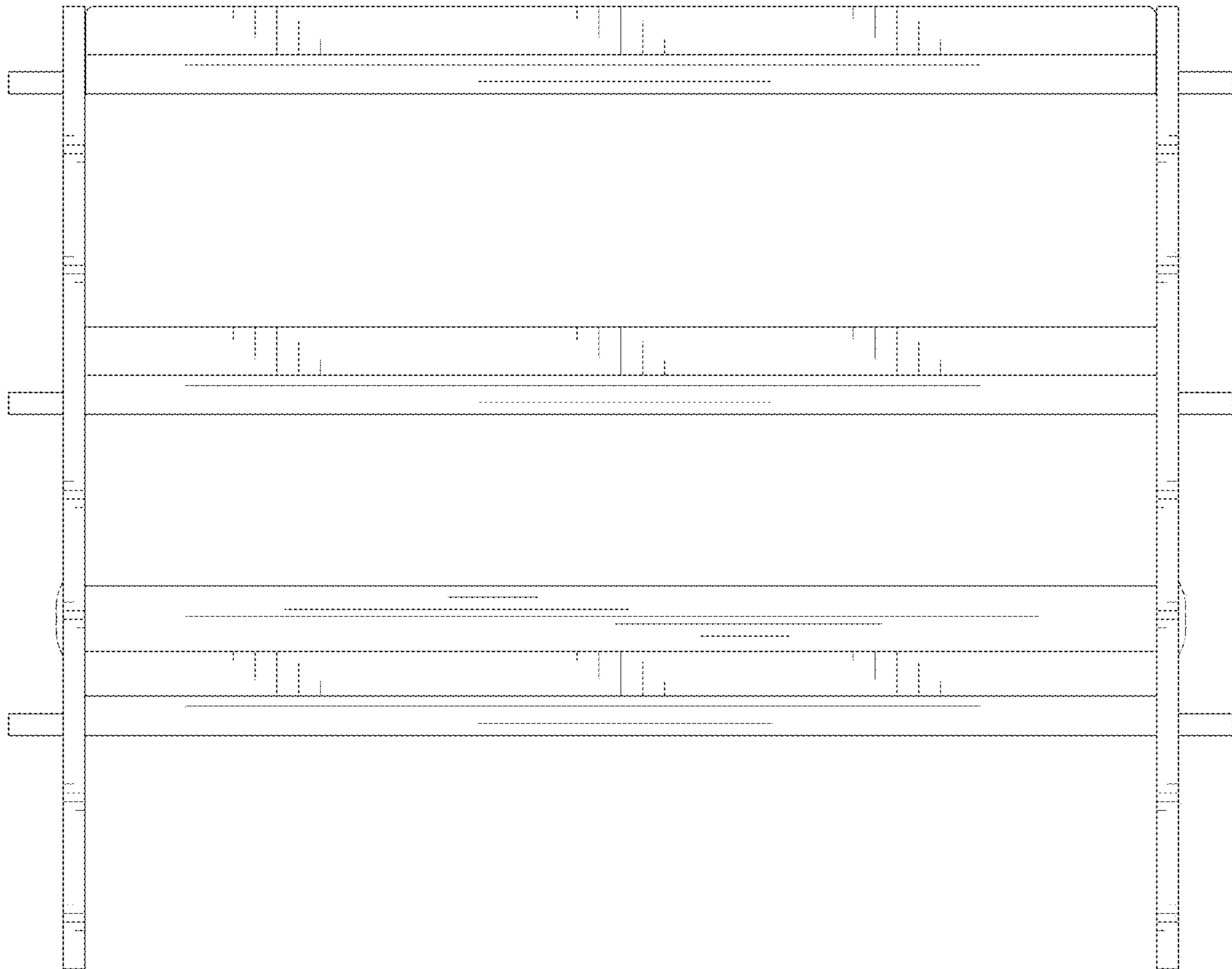


FIG. 4

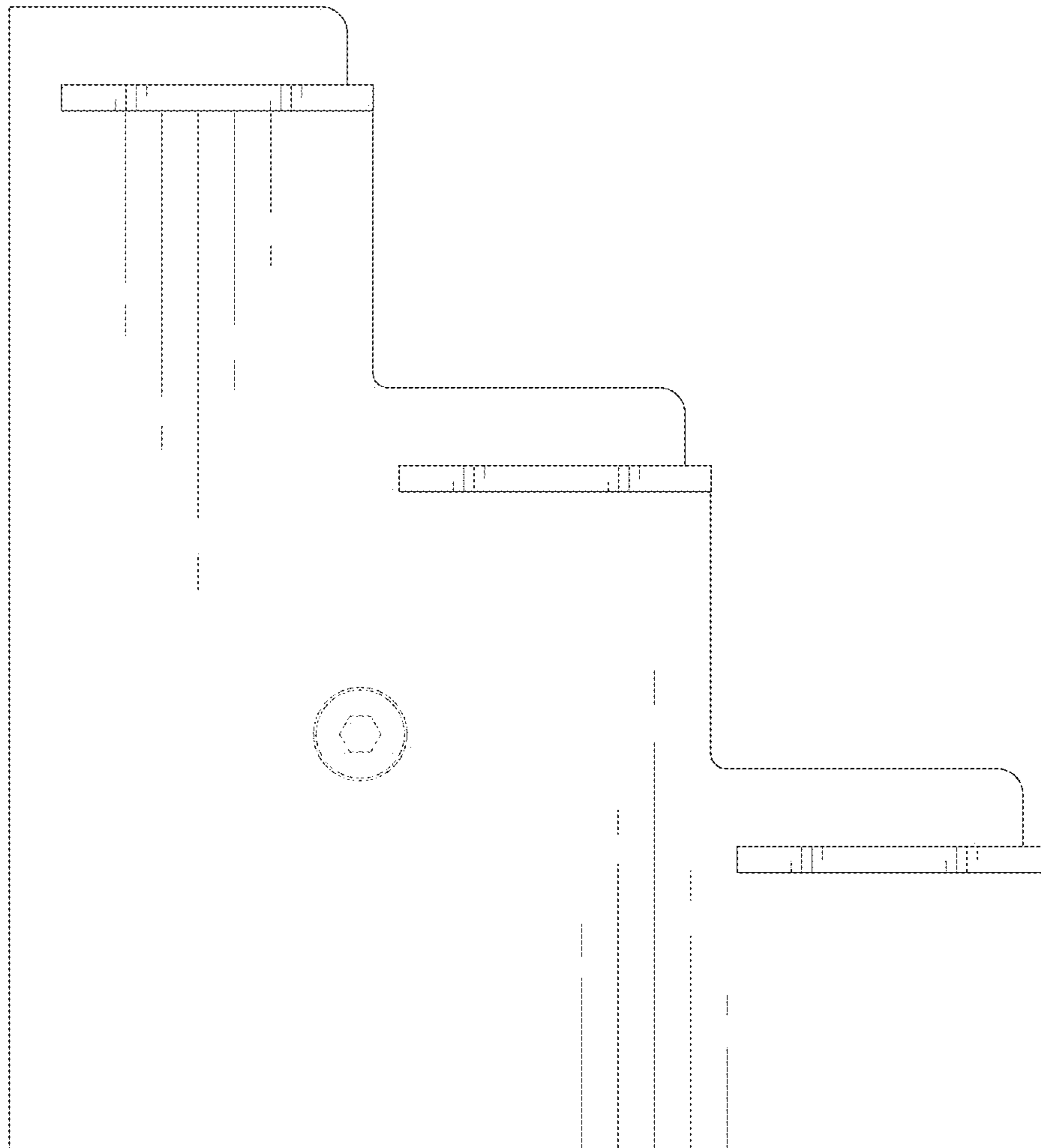


FIG. 5

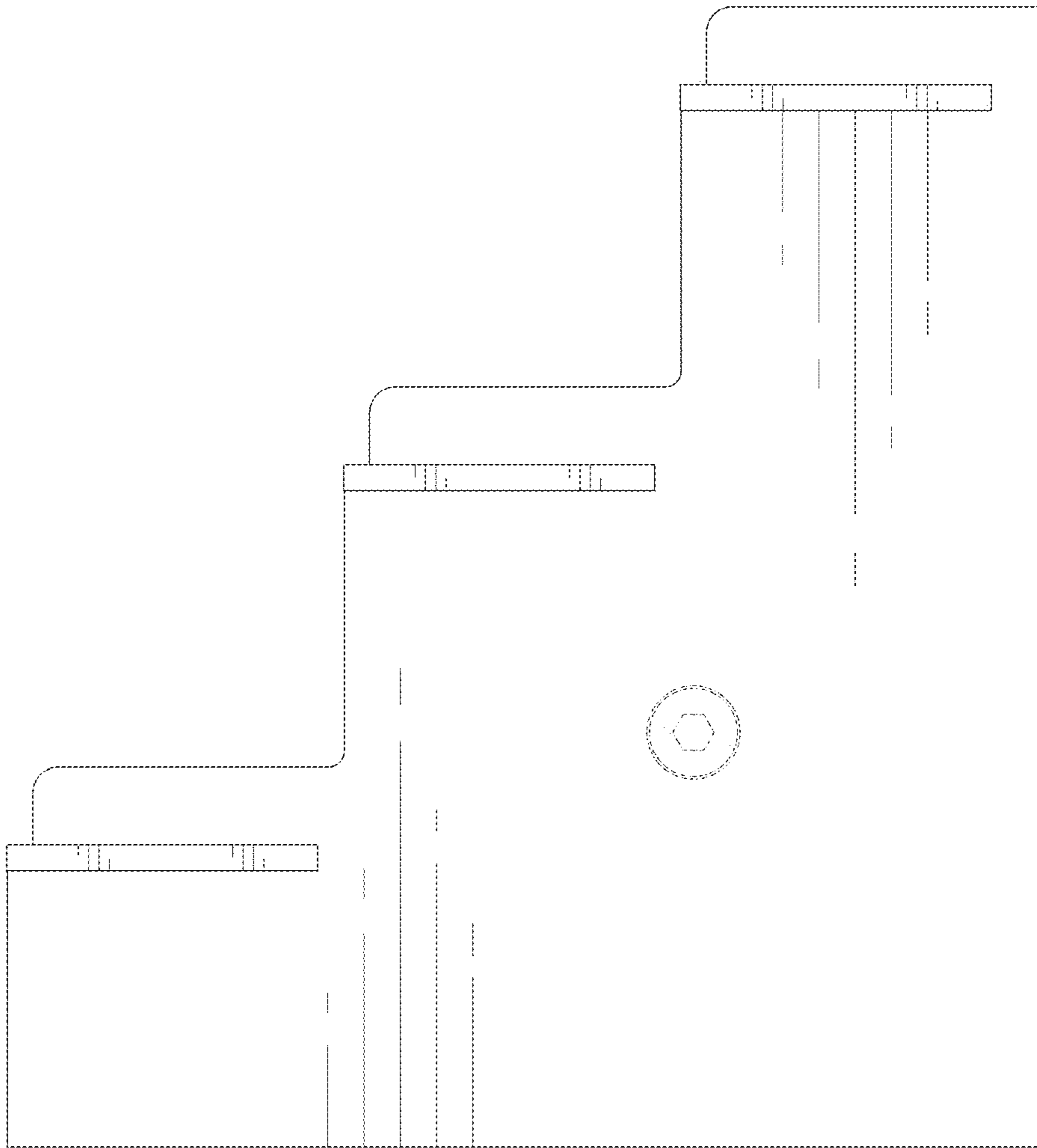


FIG. 6

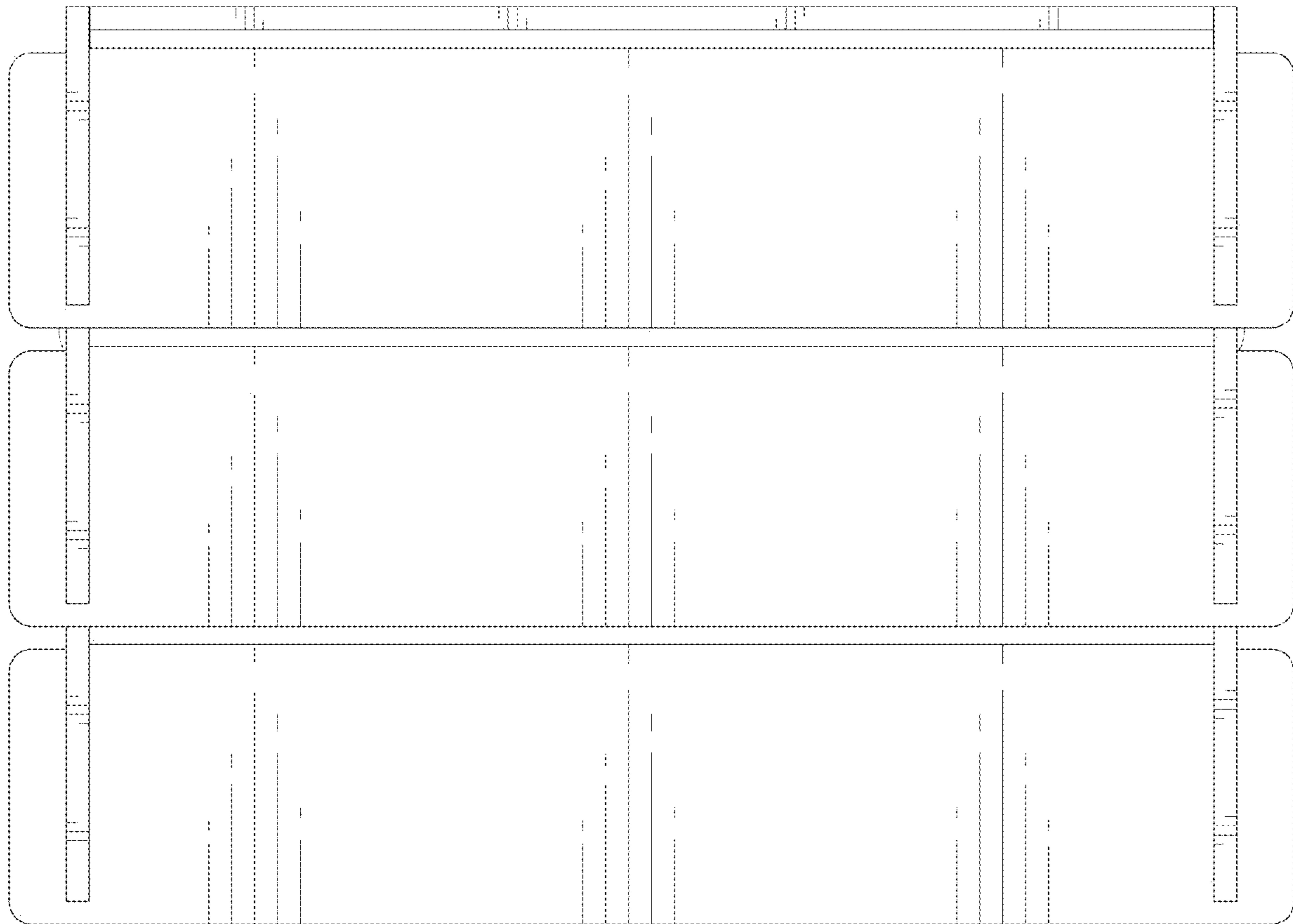


FIG. 7

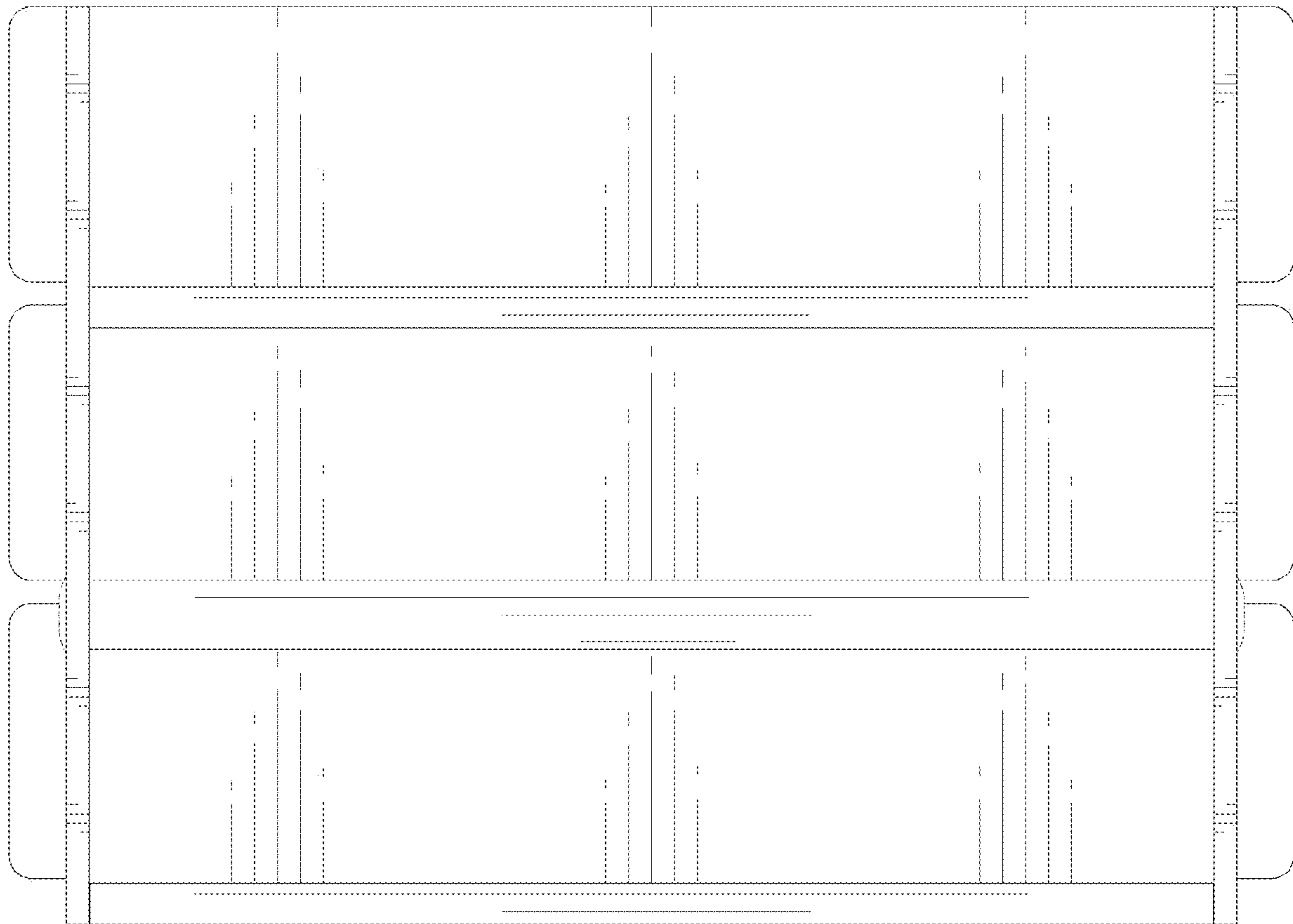


FIG. 8