



US00D976621S

(12) **United States Design Patent**
Yuan

(10) **Patent No.:** **US D976,621 S**
(45) **Date of Patent:** **** Jan. 31, 2023**

- (54) **END TABLE WITH USB PORTS AND OUTLET**
- (71) Applicant: **Shenzhen Zhijing Trade Co., Ltd.**,
Guangdong (CN)
- (72) Inventor: **Hao Yuan**, Hubei (CN)
- (73) Assignee: **Shenzhen Zhijing Trade Co., Ltd.**,
Shenzhen (CN)
- (**) Term: **15 Years**
- (21) Appl. No.: **29/855,083**
- (22) Filed: **Sep. 29, 2022**
- (51) **LOC (14) Cl.** **06-06**
- (52) **U.S. Cl.**
USPC **D6/675.1**
- (58) **Field of Classification Search**
USPC D6/329, 673, 675, 675.1, 675.2, 675.3,
D6/680.2, 702
CPC A47B 21/00; A47B 55/00; A47B 96/02;
A47B 73/00; A47B 73/002; A47F 5/00;
A47F 5/0018; A47F 5/0025; A47F
5/0043; A47F 5/01
See application file for complete search history.

- 4,193,351 A * 3/1980 Belokin, Jr. A47F 5/04
108/106
- D431,937 S * 10/2000 Heiny D6/675.1
- D496,808 S * 10/2004 Sexton D6/675.1
- D506,329 S * 6/2005 Sexton D6/678.1
- D559,017 S 1/2008 Domack
- D560,402 S * 1/2008 Lev D6/675.1
- D757,464 S 5/2016 Chiang
- D851,966 S * 6/2019 Olaya D6/675.1
- D968,839 S * 11/2022 Elliott D32/55

* cited by examiner

Primary Examiner — Kelley A Donnelly

(57) **CLAIM**

The ornamental design for an end table with USB ports and outlet, as shown and described.

DESCRIPTION

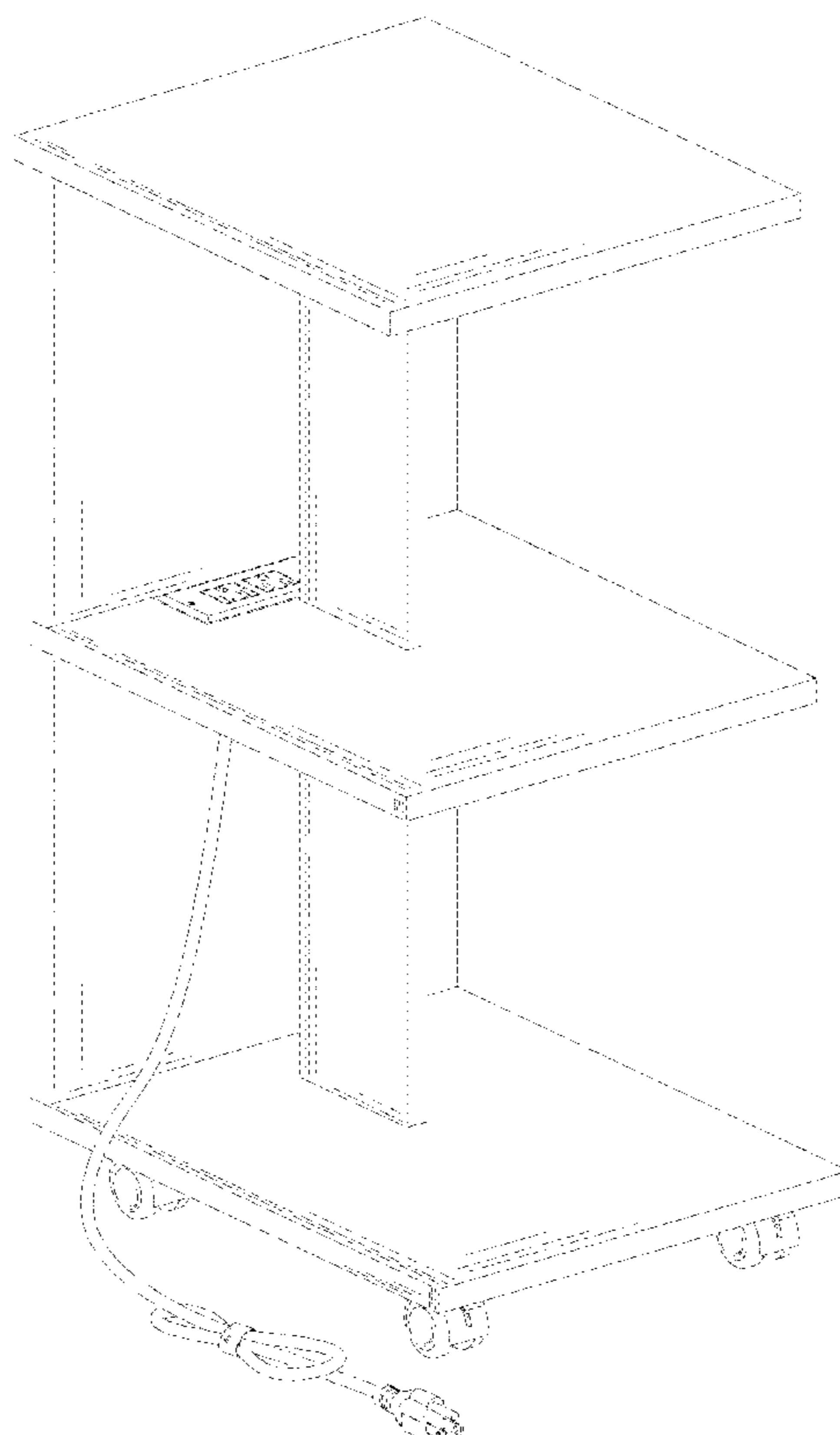
FIG. 1 is a top, left and front side perspective view of an end table with USB ports and outlet, showing my new design; FIG. 2 is a top, right and back side perspective view thereof; FIG. 3 is a front elevational view thereof; FIG. 4 is a back elevational view thereof; FIG. 5 is a left side elevational view thereof; FIG. 6 is a right side elevational view thereof; FIG. 7 is a top plan view thereof; and, FIG. 8 is a bottom plan view thereof. The broken lines shown in the FIG. 8 illustrate portions of screws of the end table with USB ports and outlet that form no part of the claimed design.

(56) **References Cited**

U.S. PATENT DOCUMENTS

- D145,148 S * 7/1946 Welke D6/675.1
- D201,085 S * 5/1965 Anderson D6/675.1

1 Claim, 8 Drawing Sheets



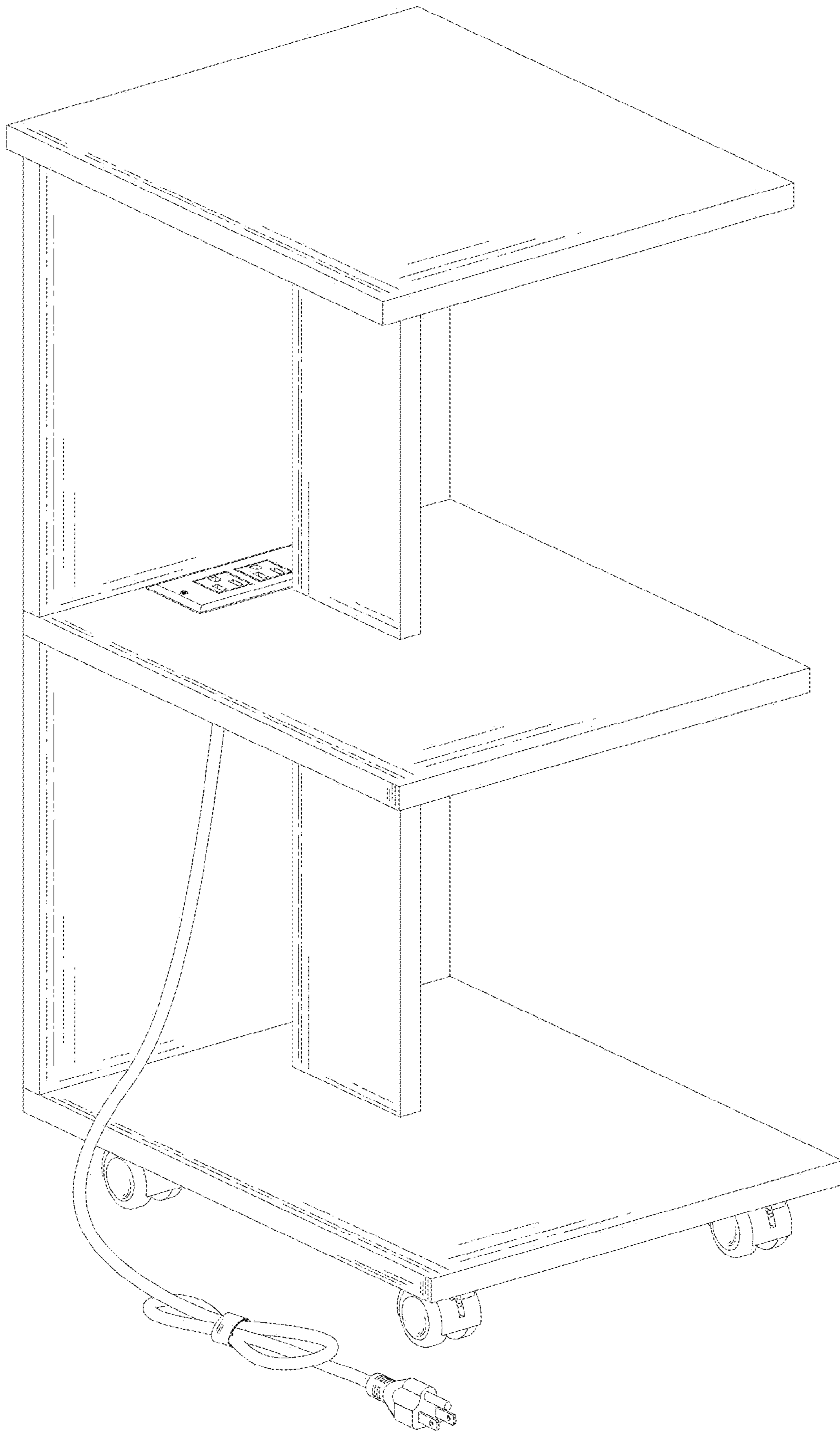


FIG. 1

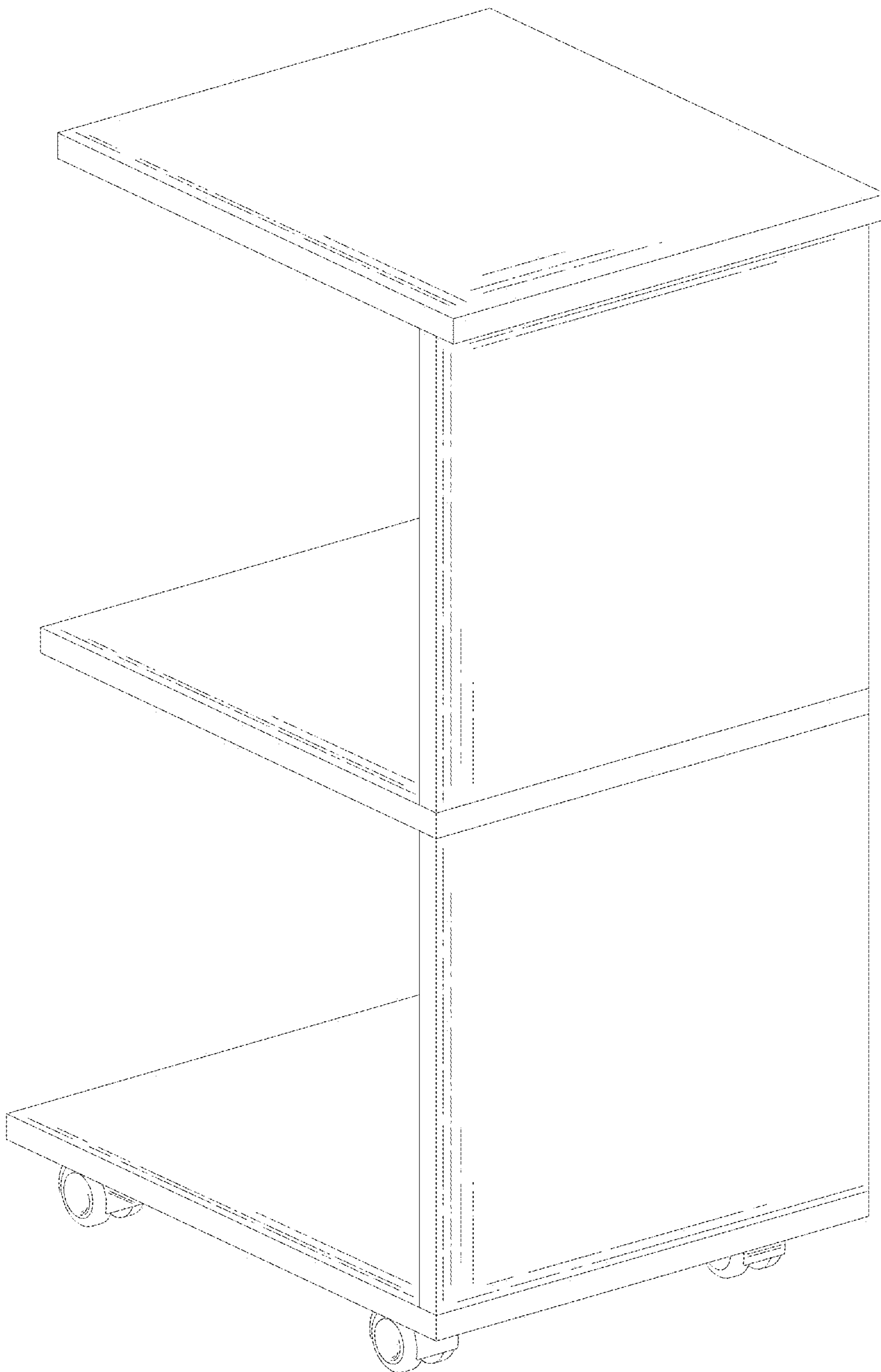


FIG. 2

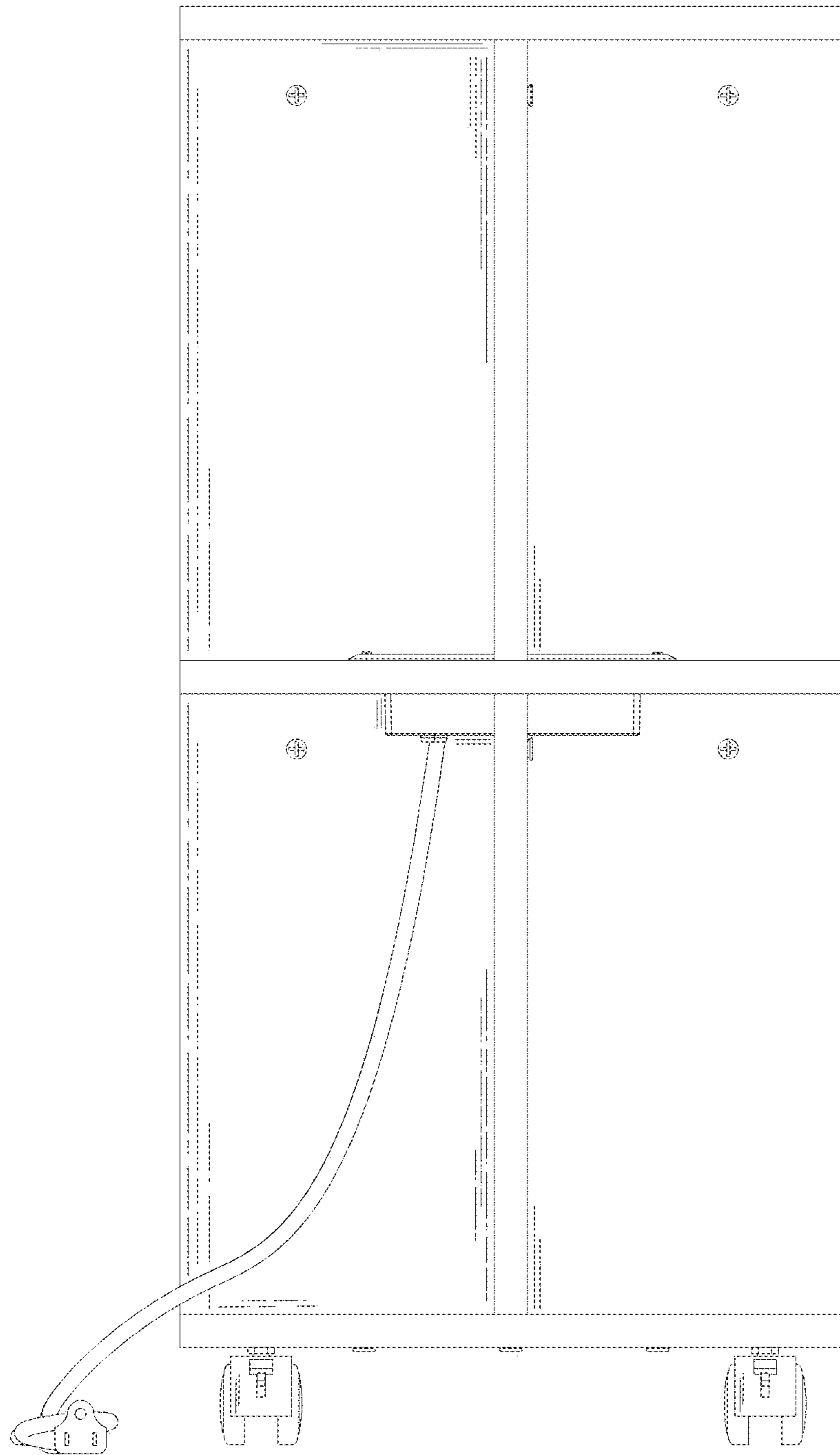


FIG.3

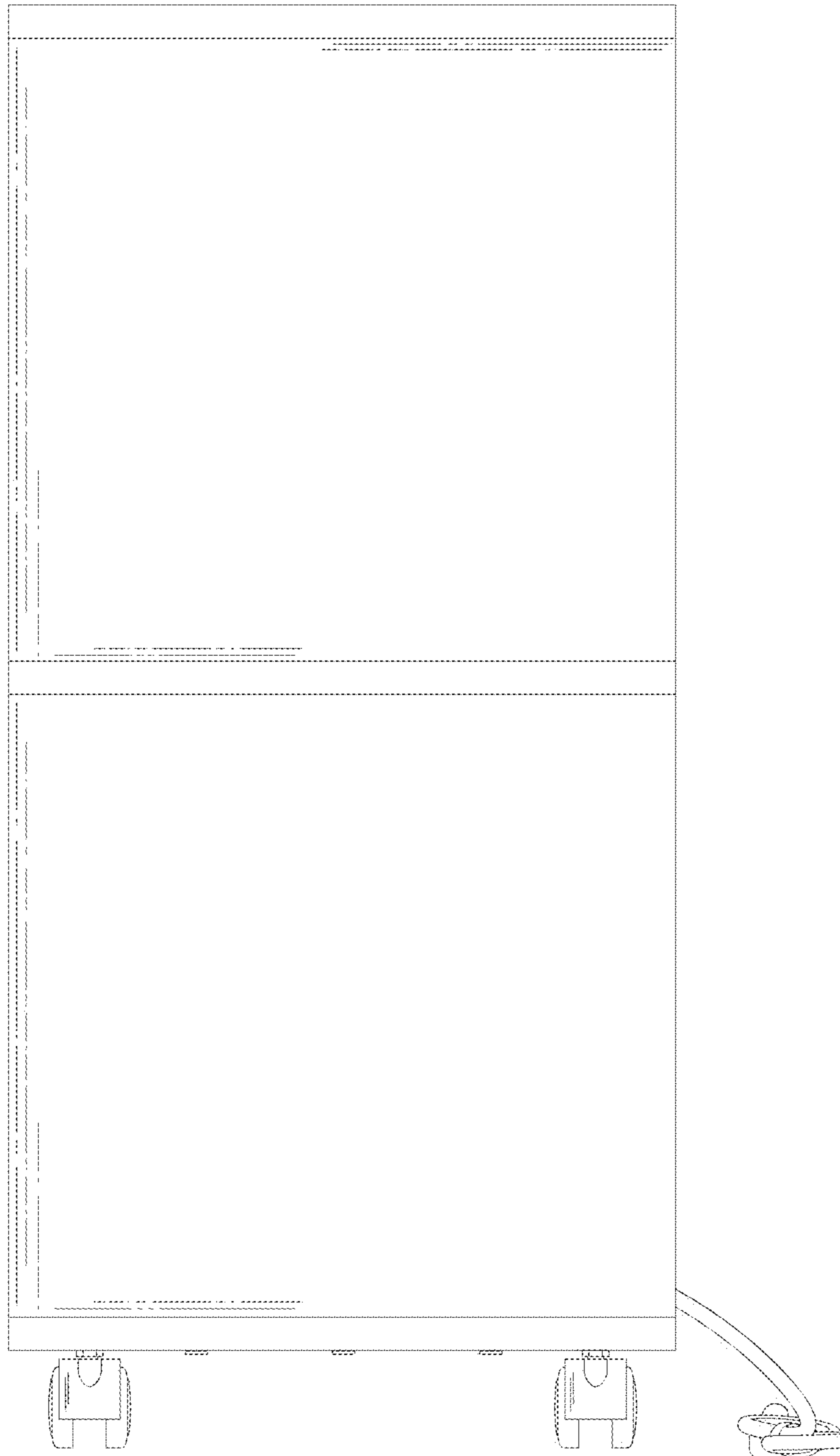


FIG.4

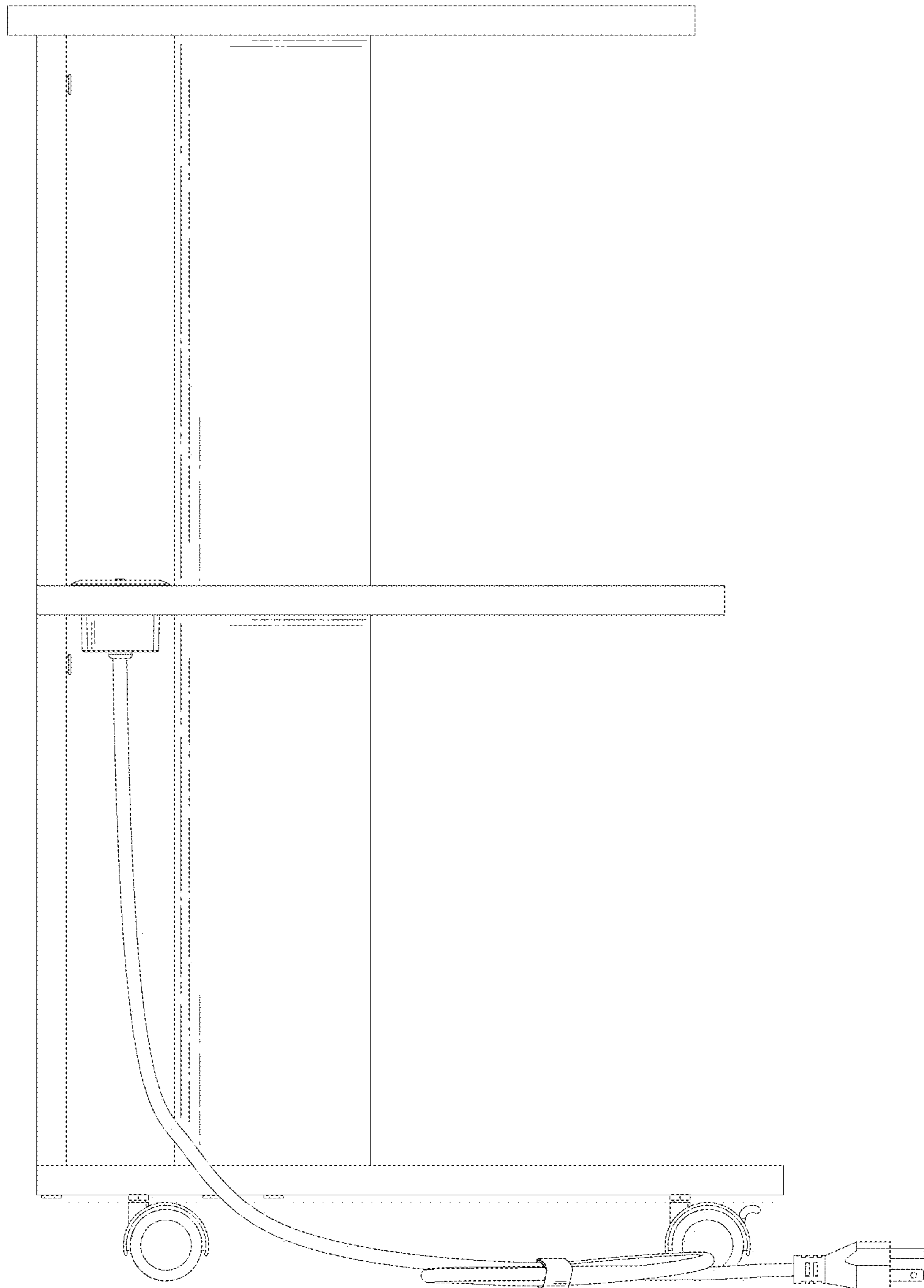


FIG. 5

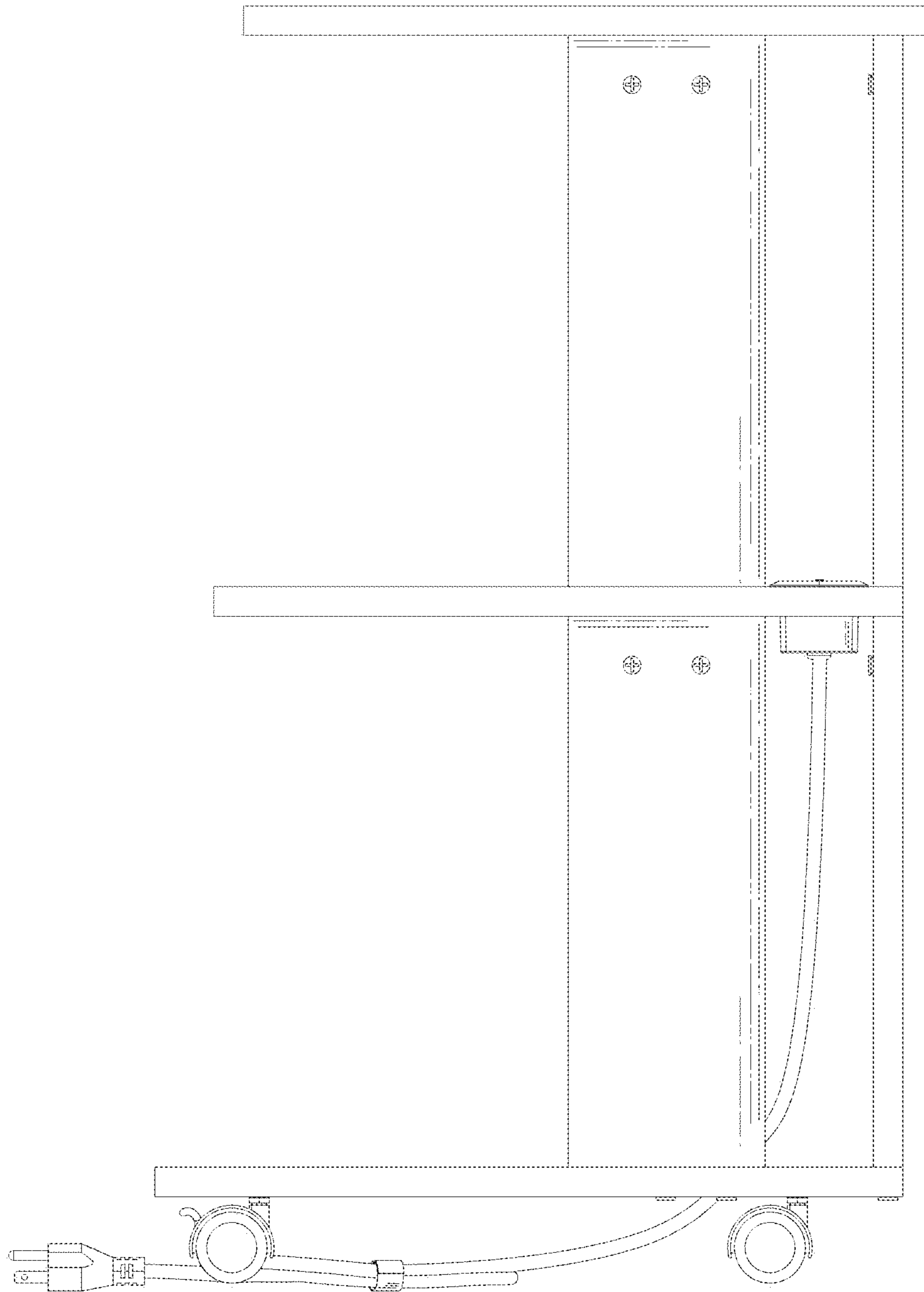


FIG.6

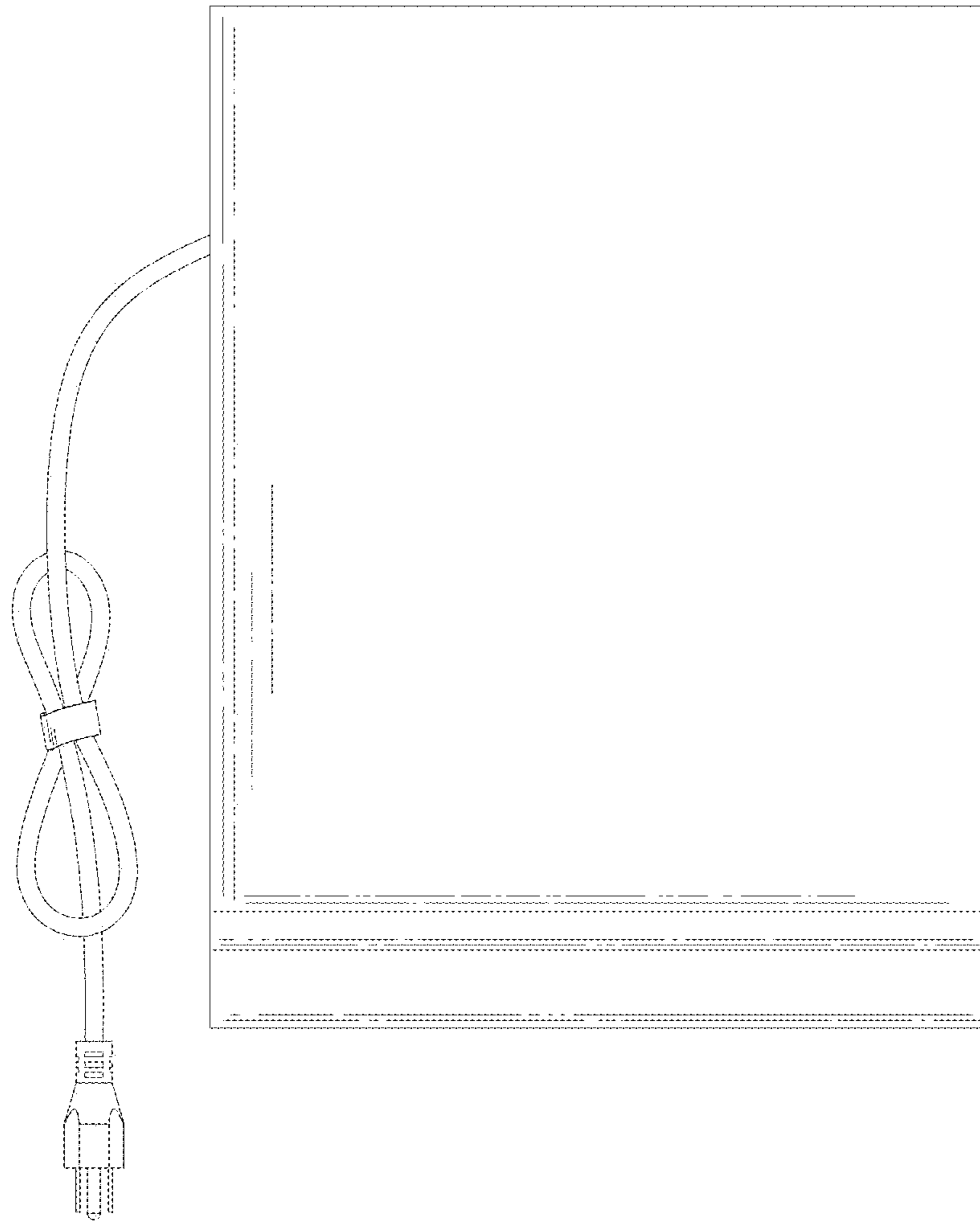


FIG. 7

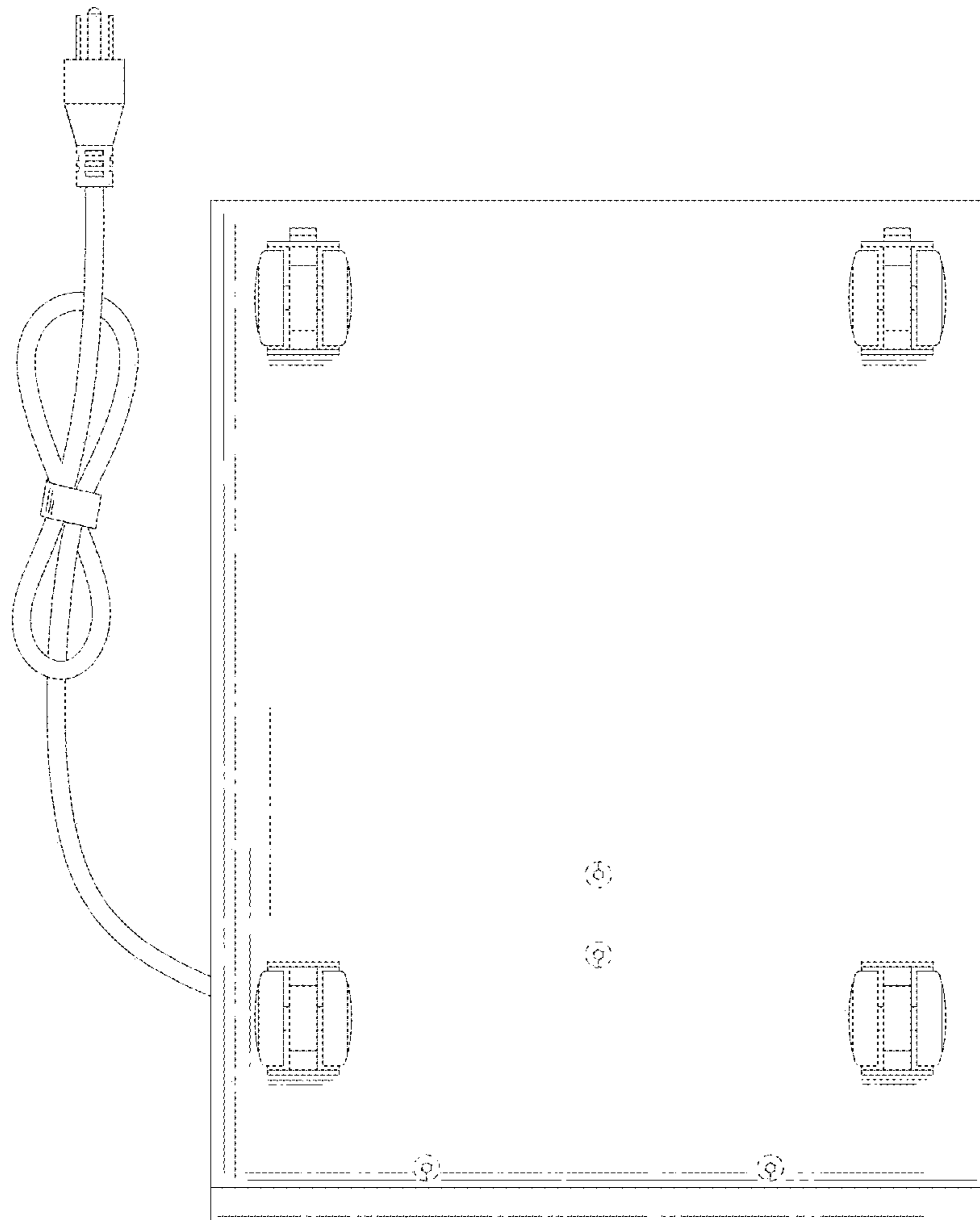


FIG.8