



US00D976620S

(12) **United States Design Patent** (10) **Patent No.:** **US D976,620 S**
Song (45) **Date of Patent:** **** Jan. 31, 2023**

(54) **STORAGE BASKET**
(71) Applicant: **Ziel Home Furnishing Technology Co., Ltd., Zhengzhou (CN)**
(72) Inventor: **Chuan Song, Zhengzhou (CN)**
(**) Term: **15 Years**
(21) Appl. No.: **29/852,947**
(22) Filed: **Sep. 12, 2022**
(51) **LOC (14) Cl.** **06-06**
(52) **U.S. Cl.**
USPC **D6/675.1**
(58) **Field of Classification Search**
USPC D6/672, 675, 675.1, 675.2, 675.3, 675.5
CPC A47F 1/00; A47F 5/0018; A47F 5/0043;
A47B 96/00; A47B 96/02; A47B 47/00;
A47B 47/021
See application file for complete search history.

D898,319 S * 10/2020 Strandmark D34/21
D903,966 S * 12/2020 Li D6/675.1
D914,408 S 3/2021 Li
D915,802 S * 4/2021 Dai D6/675.1
D917,822 S * 4/2021 Matecki D34/21
D919,339 S * 5/2021 Lin D6/675.1
D966,759 S * 10/2022 Li D6/675.1
2019/0047602 A1 * 2/2019 Dardashti B62B 3/10

* cited by examiner

Primary Examiner — Kelley A Donnelly

(74) *Attorney, Agent, or Firm* — Rumit Ranjit Kanakia

(57) **CLAIM**

The ornamental design for a storage basket, as shown and described.

DESCRIPTION

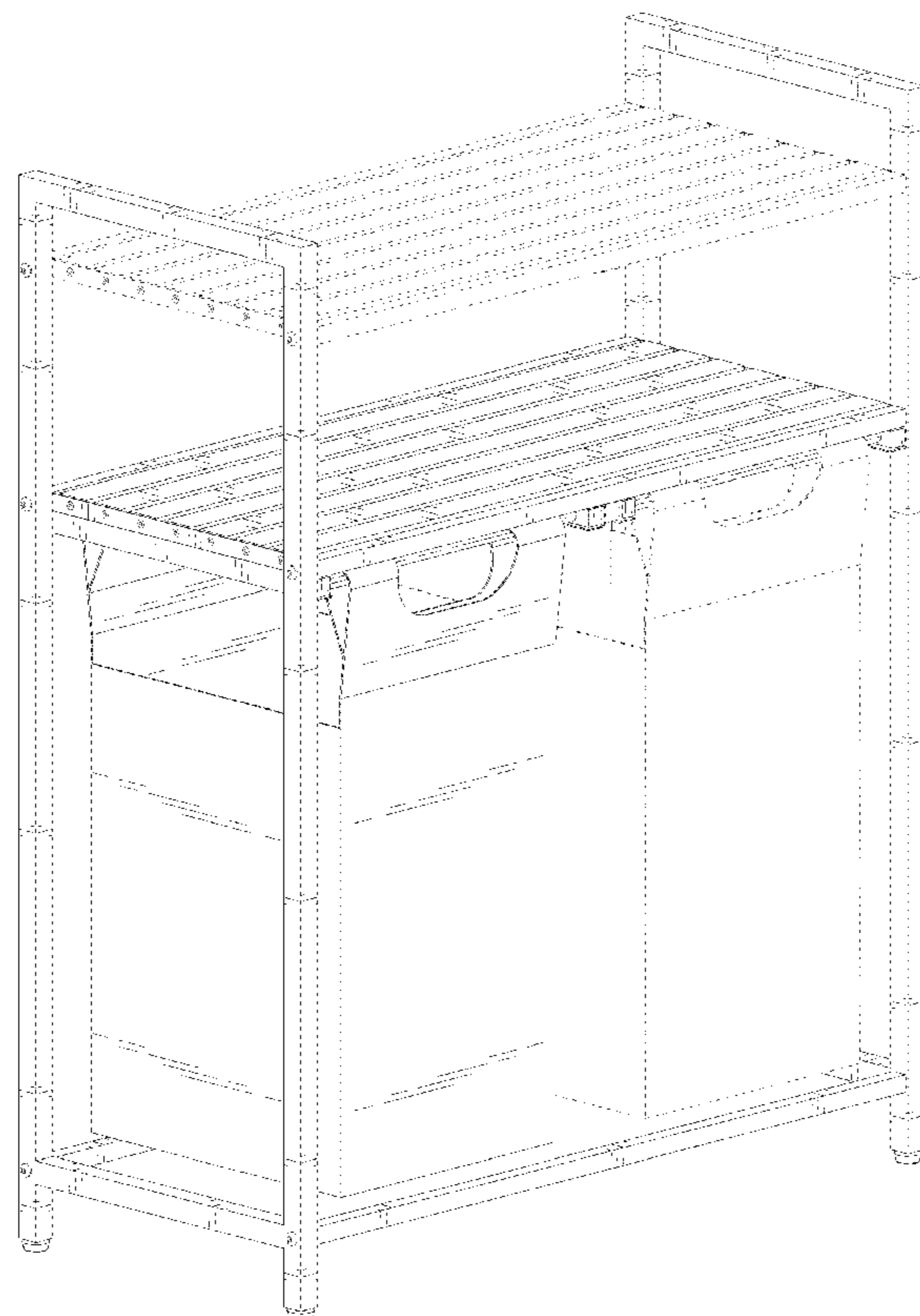
FIG. 1 is a front perspective view of a storage basket showing my new design;
FIG. 2 is a front view thereof,
FIG. 3 is a rear view thereof;
FIG. 4 is a right side view thereof;
FIG. 5 is a left side view thereof;
FIG. 6 is a top view thereof;
FIG. 7 is a bottom view thereof; and,
FIG. 8 is a back perspective view thereof.
Broken lines in the drawings depict portions of the storage basket that form no part of the claimed design.

1 Claim, 8 Drawing Sheets

(56) **References Cited**

U.S. PATENT DOCUMENTS

D400,375 S * 11/1998 Peng-Hui D6/675.1
D704,482 S 5/2014 Hsu et al.
D764,844 S 8/2016 Hsu et al.
D809,730 S * 2/2018 Churchvara D34/21
D858,151 S * 9/2019 Li D6/675.1
D869,809 S 12/2019 Dardashti
D878,700 S * 3/2020 Dardashti D34/14
D885,091 S 5/2020 Davis et al.



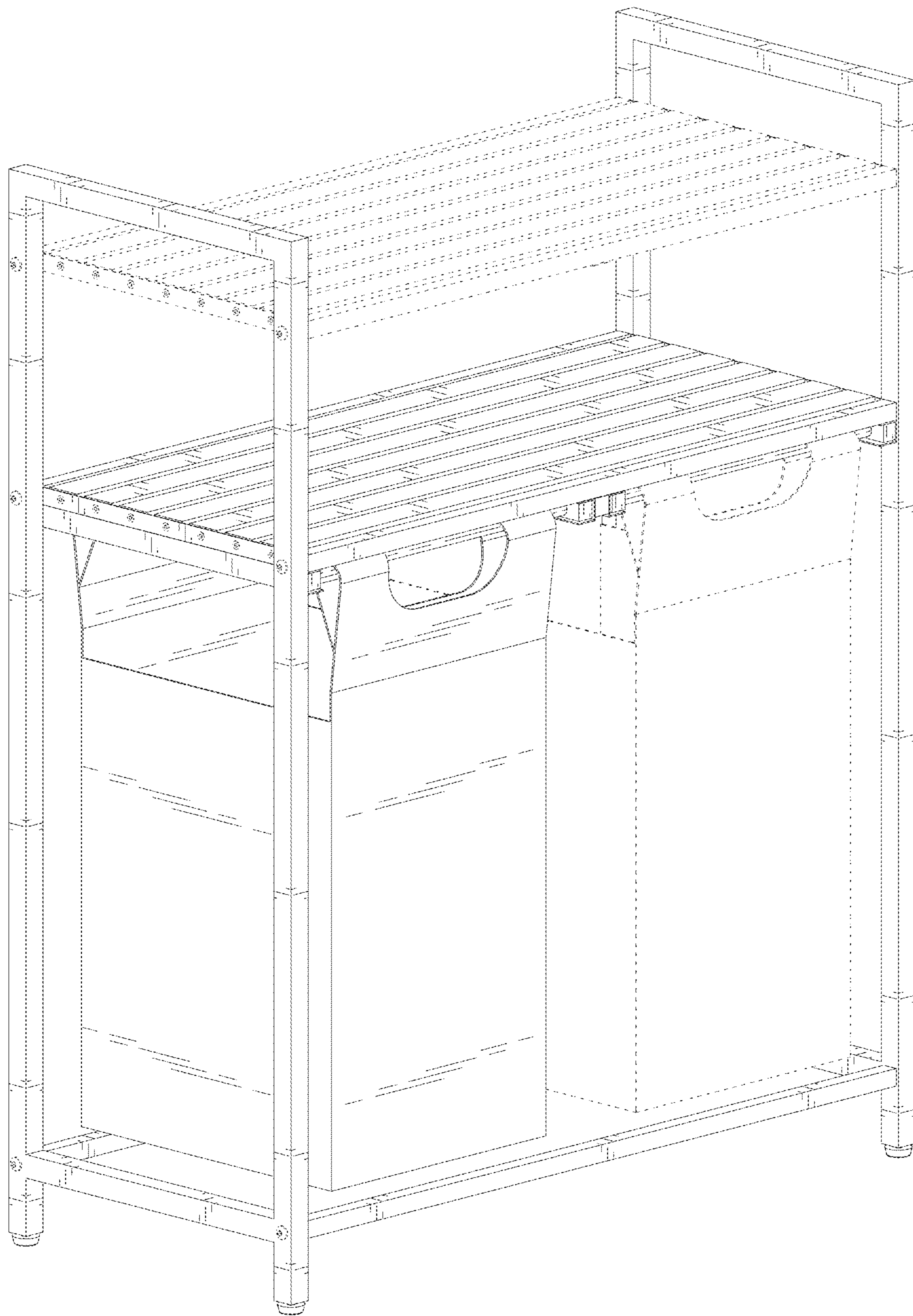


FIG. 1

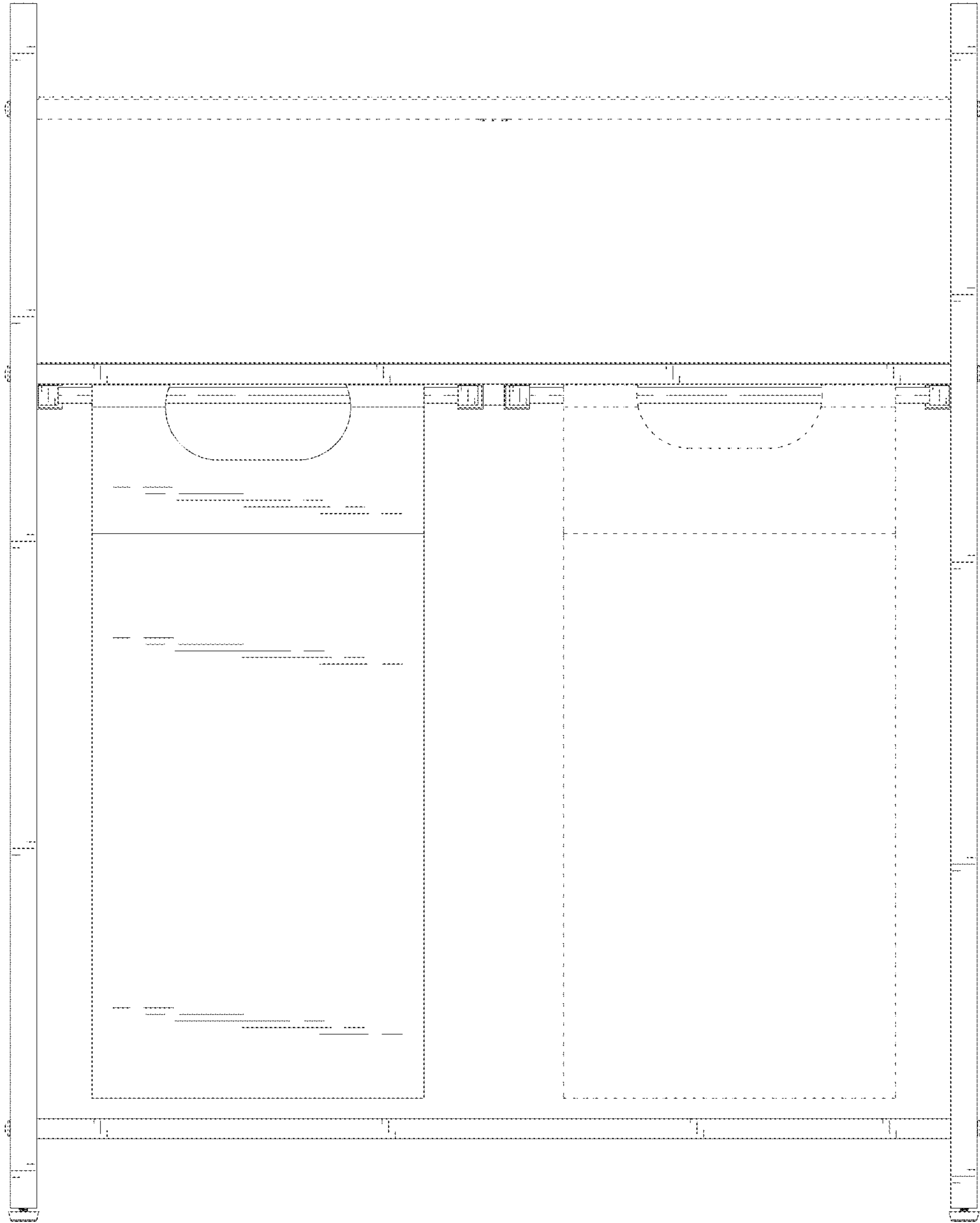


FIG. 2

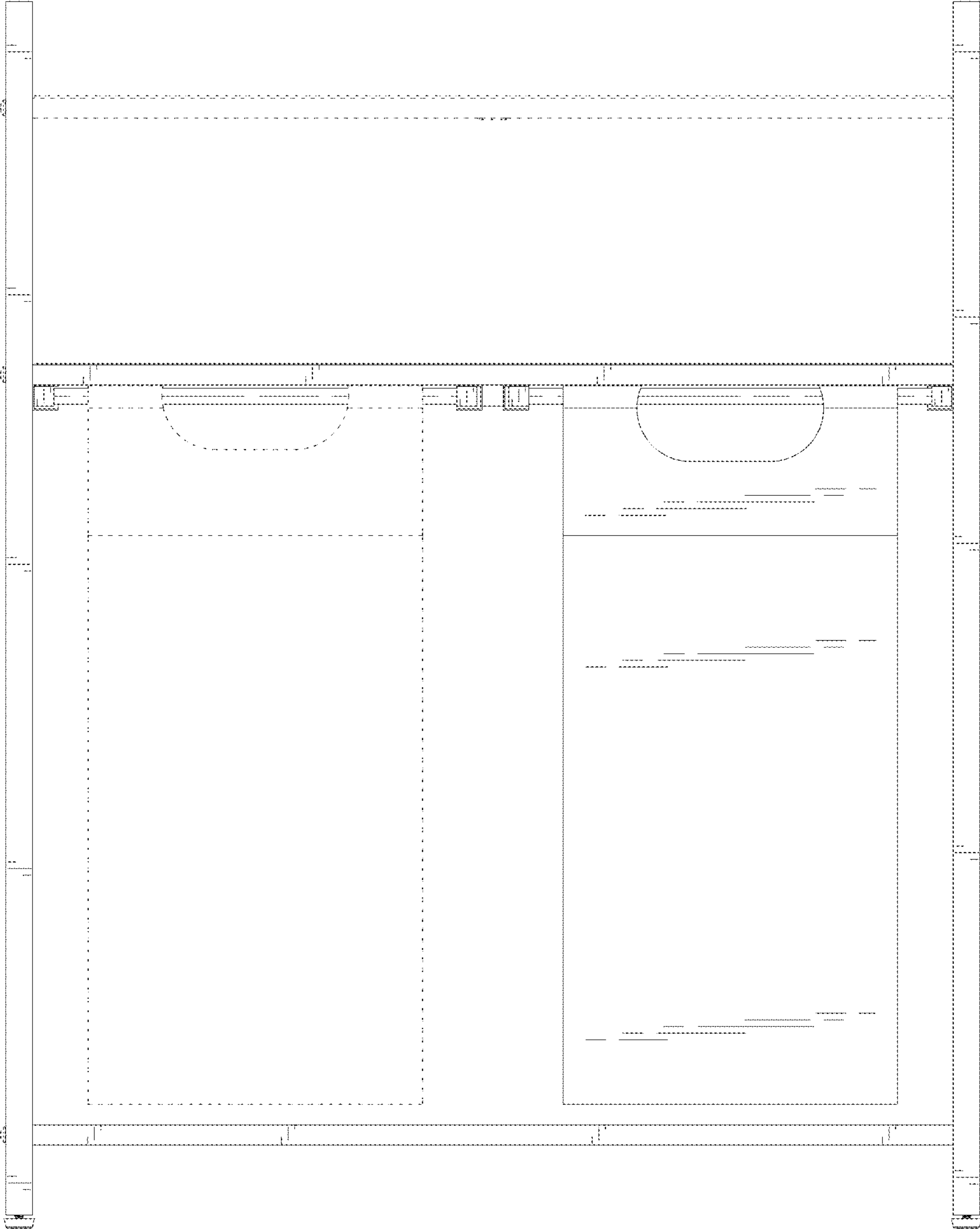


FIG. 3

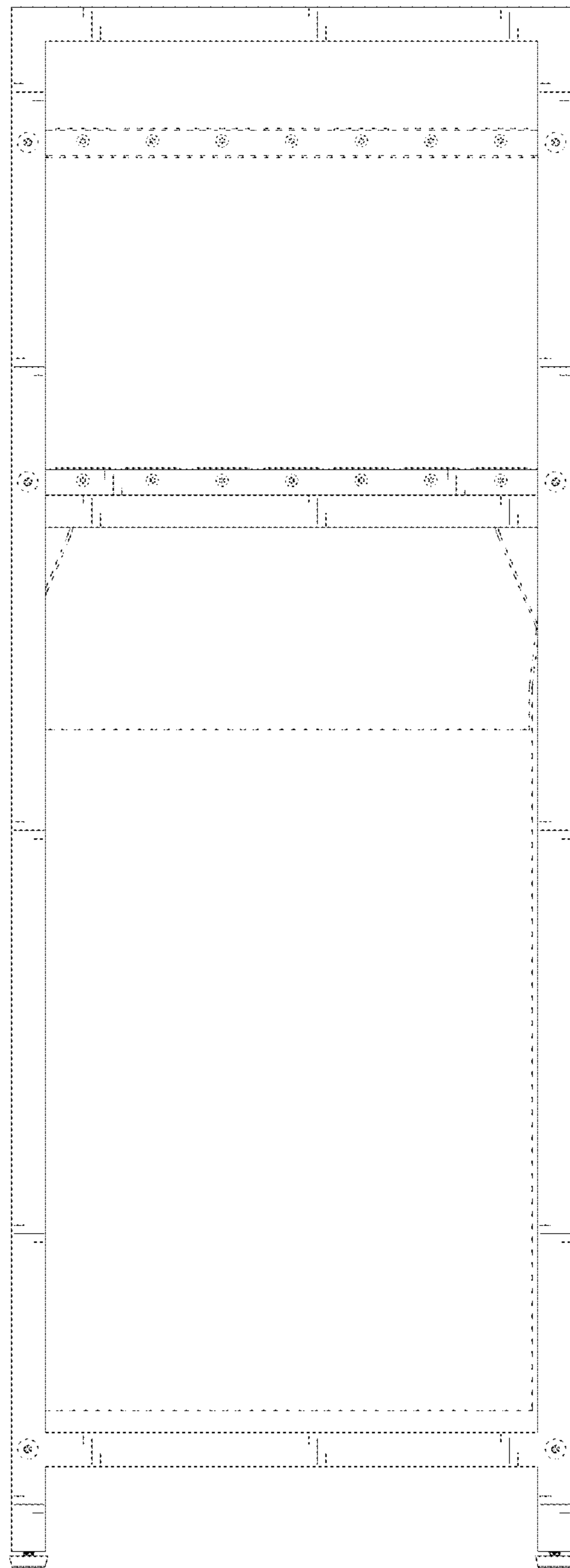


FIG. 4

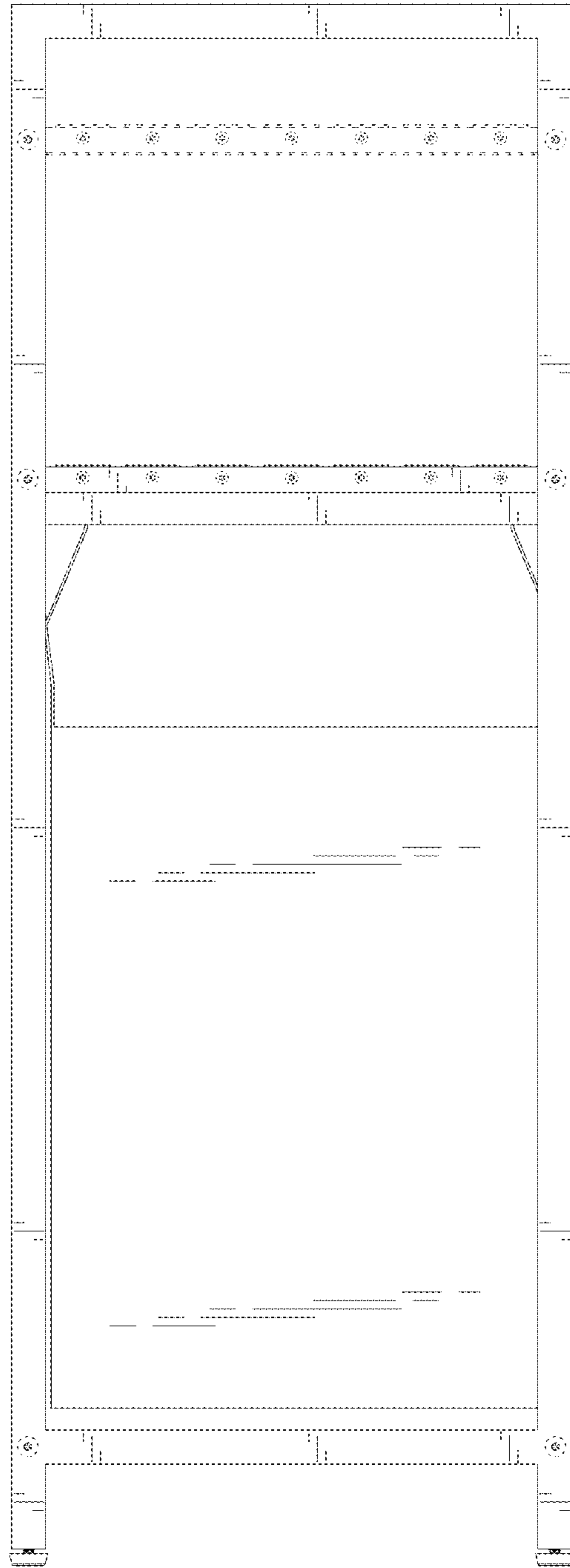


FIG. 5

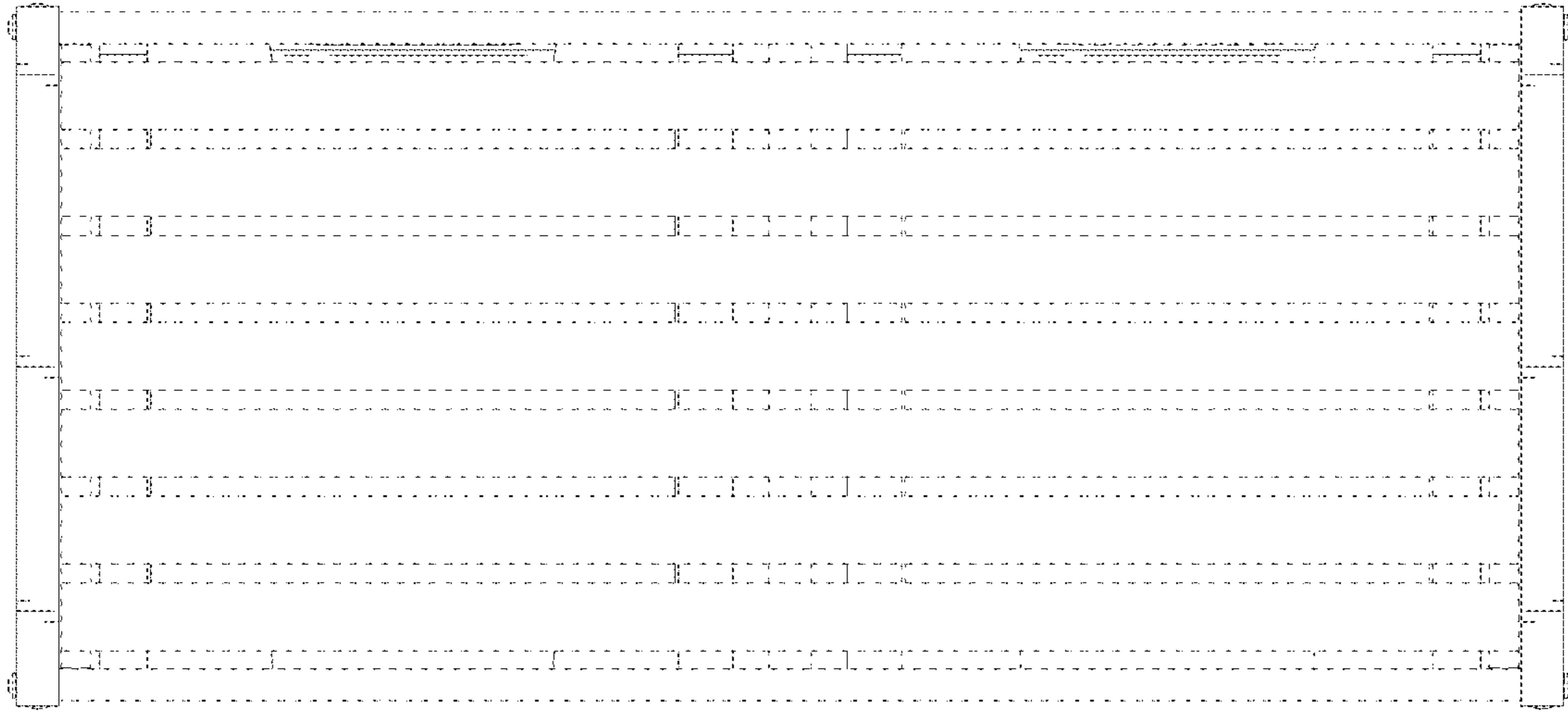


FIG. 6

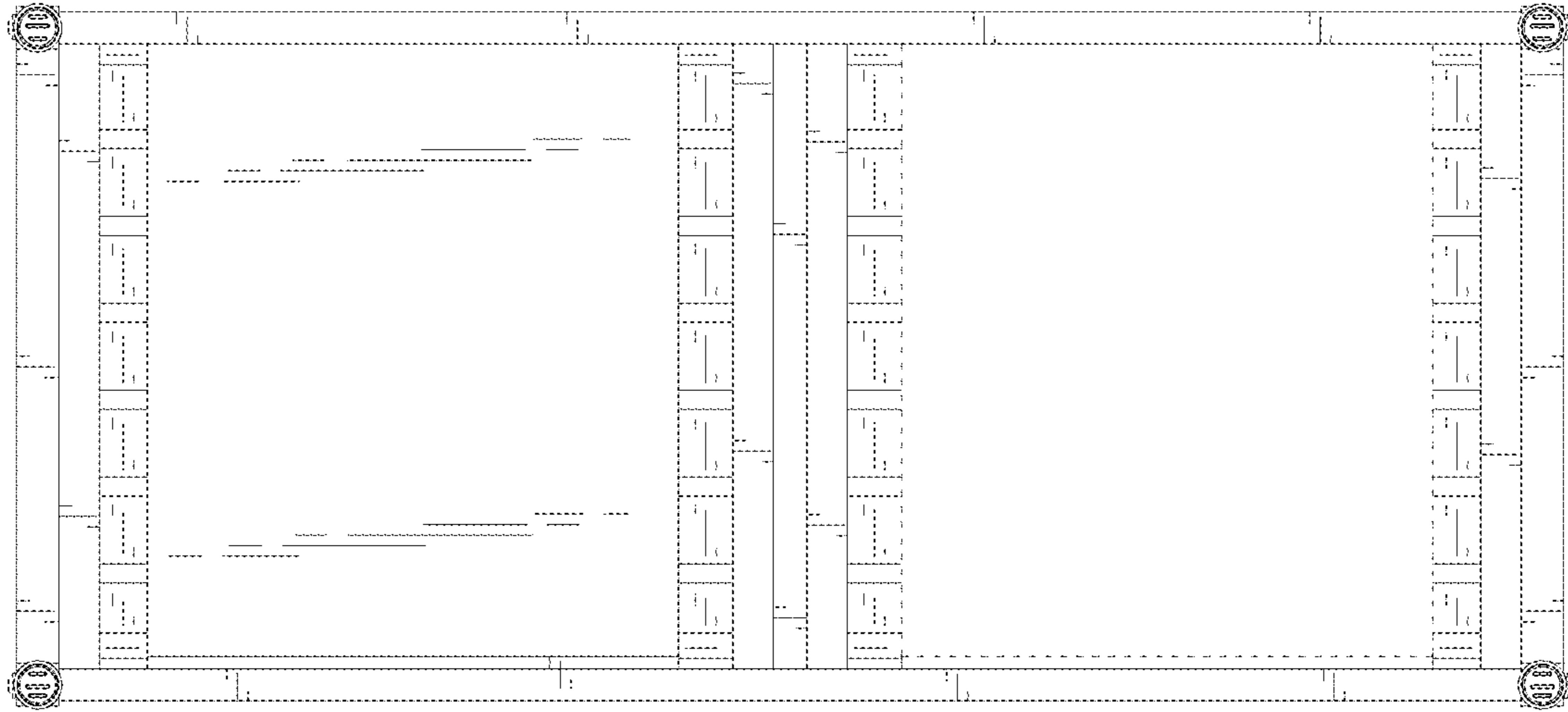


FIG. 7

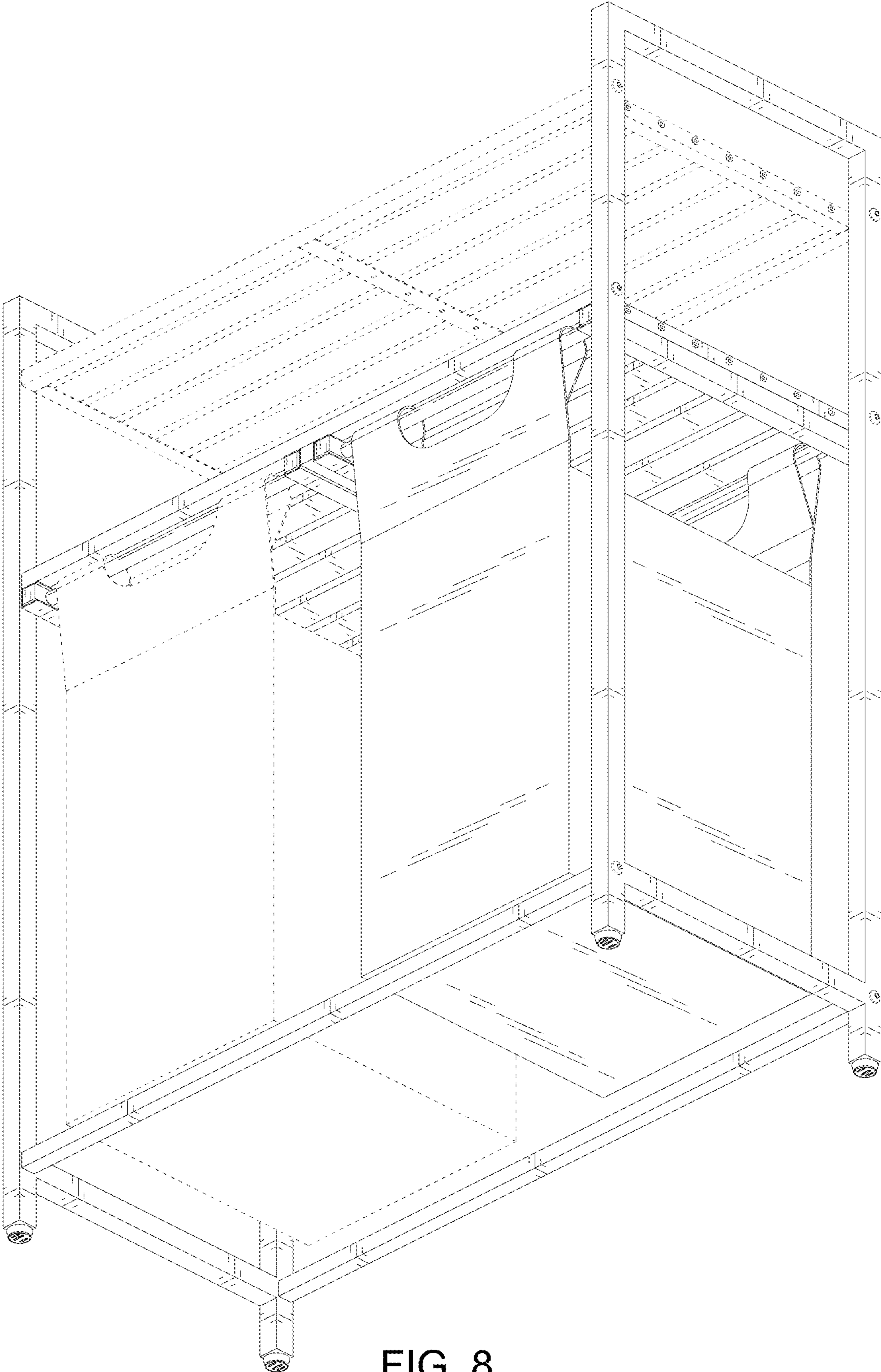


FIG. 8