



US00D976618S

(12) **United States Design Patent**
Hu

(10) **Patent No.:** **US D976,618 S**
(45) **Date of Patent:** **** Jan. 31, 2023**

- (54) **DESK**
- (71) Applicant: **Yajun Hu**, El Dorado Hills, CA (US)
- (72) Inventor: **Yajun Hu**, El Dorado Hills, CA (US)
- (73) Assignees: **Yajun Hu**, El Dorado Hills, CA (US);
EUREKA LLC, El Dorado Hills, CA (US)
- (**) Term: **15 Years**
- (21) Appl. No.: **29/750,286**
- (22) Filed: **Sep. 11, 2020**
- (51) **LOC (14) Cl.** **06-03**
- (52) **U.S. Cl.**
USPC **D6/656**
- (58) **Field of Classification Search**
USPC D6/641, 642, 656, 656.1, 656.13, 656.14,
D6/656.16–656.19
CPC A47B 7/00; A47B 13/00; A47B 13/02;
A47B 13/04; A47B 13/06; A47B 13/08;
A47B 13/10; A47B 13/12; A47B 13/16;
A47B 17/00; A47B 21/00; A47B
21/0314; A47B 2021/0364; A47B
2200/0001; A47B 2200/0011; A47B
2200/002
See application file for complete search history.

- 9,380,865 B2 * 7/2016 Tempas A47B 41/02
- 9,572,422 B2 2/2017 Ergun et al.
- 9,591,919 B2 3/2017 Ergun et al.
- 9,635,932 B2 5/2017 Kelley et al.
- D947,577 S * 4/2022 Hu D6/654.1

OTHER PUBLICATIONS

Glide Series Mobile Training Table, by Learniture—At School https://www.schooloutfitters.com/catalog/product_info/pfam_id/PFAM42242/products_id/PRO53562?sc_cid=Google_NOR-88120-PK&adtype=pla&kw=&gclid=EAIAIqobChMI8Kjc_YmV-QIV78iUCR00mwNGEAsYBiABEgllDfD_BwE retrieved from the internet on Jul. 25, 2022.*

Scoot Desk, Safco Products—Worthington Direct—retrieved from the internet on Jul. 25, 2022 https://www.worthingtondirect.com/1907b1-scoot-desk.htm?utm_source=google&utm_medium=productsearch&utm_campaign=product&gclid=EAIAIqobChMI8Kjc_YmV-QIV78iUCR00mwNGEAsYBiABEgK7UfD_BwE.*

Colehome Computer Small Student School Writing Desk, by Colehome Store—Amazon https://www.amazon.com/Computer-Modern-Simple-Writing-Colehome/dp/B07Z1SR9JQ/ref=sr_1 retrieved from the internet on Feb. 4, 2021.*

* cited by examiner

Primary Examiner — Mary Ann Calabrese

(57) **CLAIM**

I claim the ornamental design for a desk, as shown and described.

DESCRIPTION

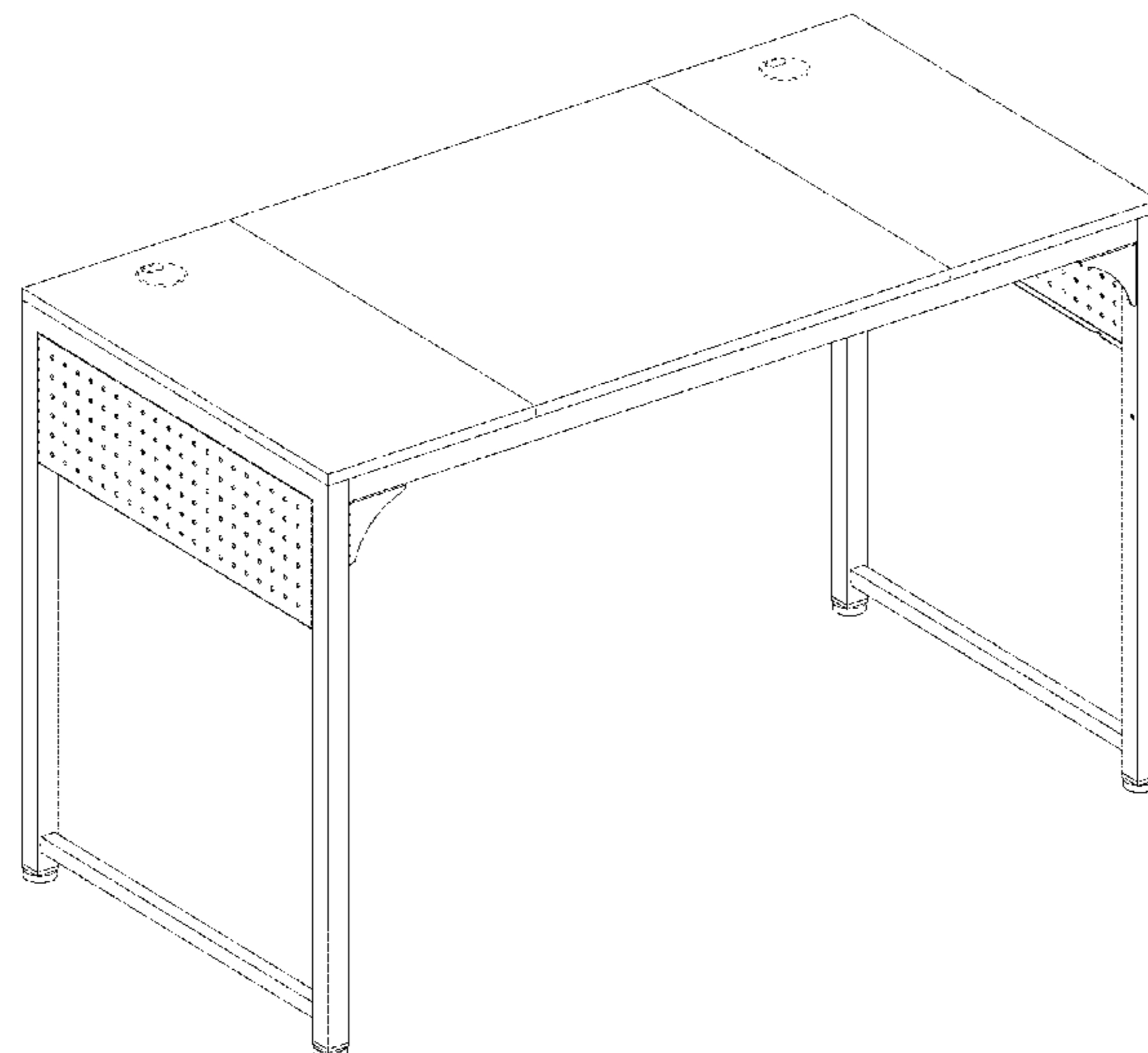
FIG. 1 is a perspective view of a desk, showing my new design;
FIG. 2 is a front view thereof;
FIG. 3 is a left side view thereof;
FIG. 4 is a top view thereof; and,
FIG. 5 is a bottom view thereof.
In the drawings, the broken lines show portions of the desk that form no part of the claimed design.

1 Claim, 5 Drawing Sheets

(56) **References Cited**

U.S. PATENT DOCUMENTS

- D242,102 S * 11/1976 Stirling A47B 41/02
D6/656.16
- D284,146 S * 6/1986 Gordon D6/642
- 4,703,700 A 11/1987 Sema
- D478,225 S 8/2003 Wang
- D499,273 S 12/2004 Chang
- D499,576 S 12/2004 Long
- D526,812 S 8/2006 Chen
- D547,970 S 8/2007 Chou
- D549,009 S 8/2007 Lin
- 8,118,375 B2 2/2012 Berthiaume et al.



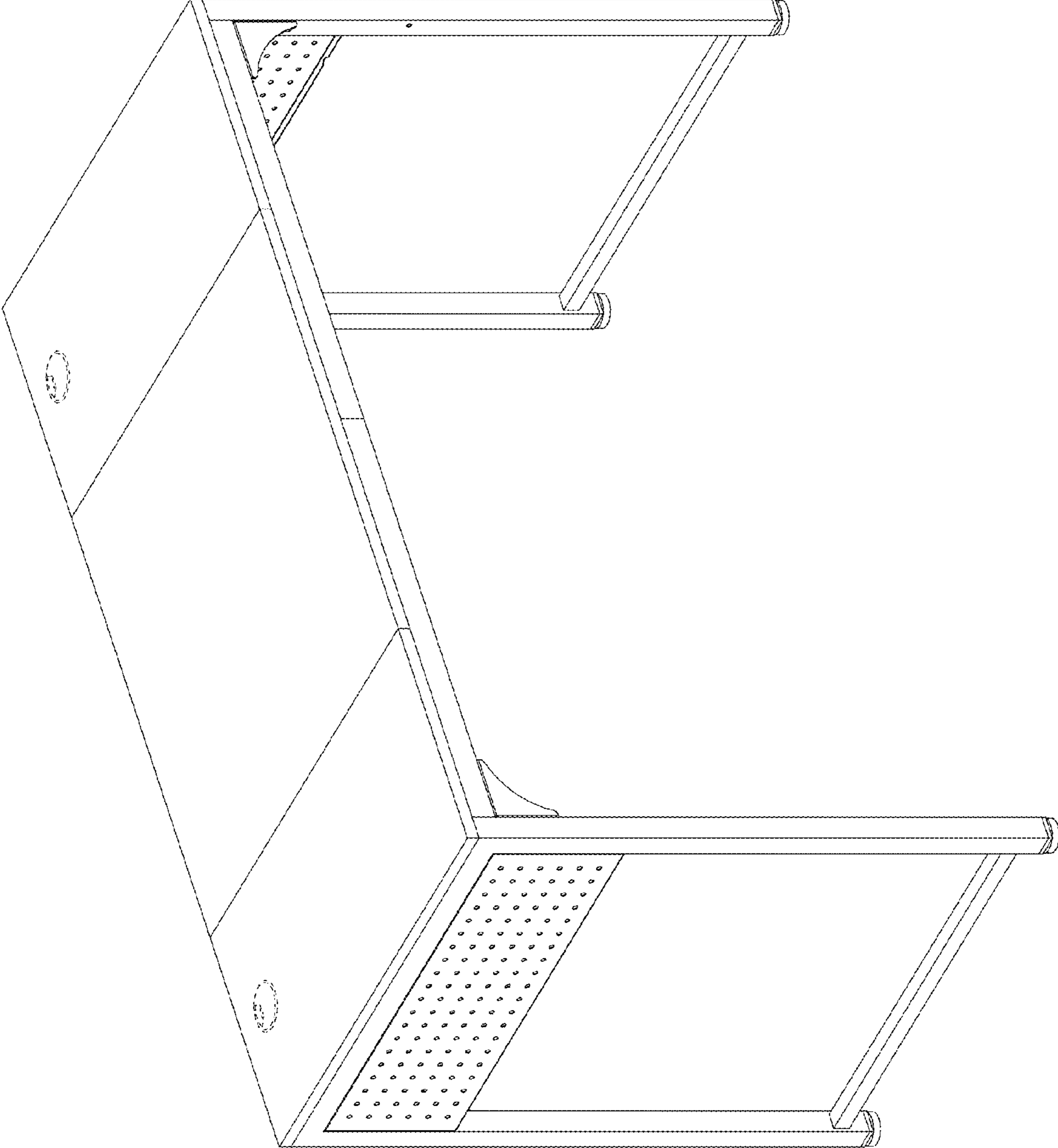


FIG.1

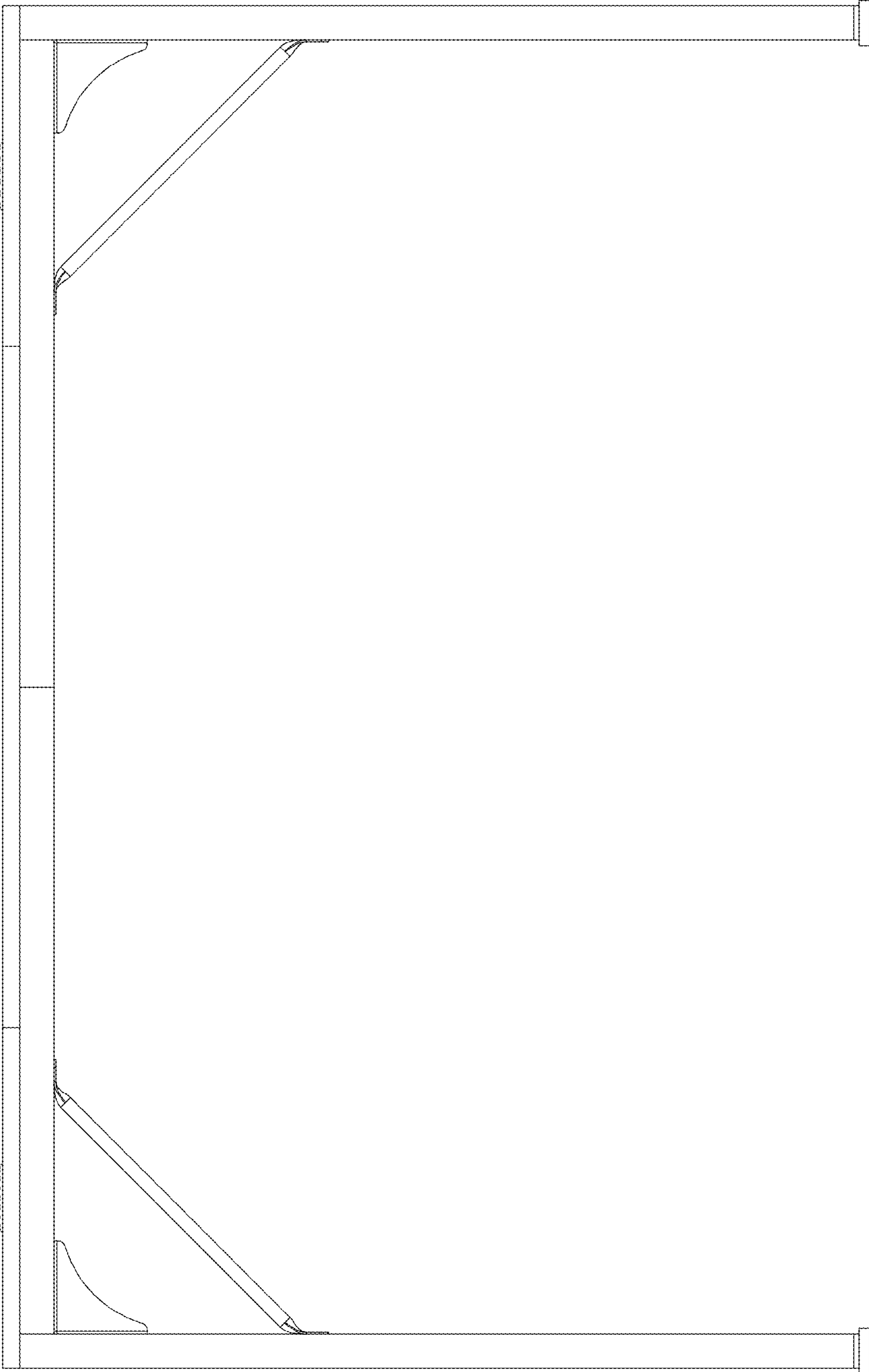


FIG.2

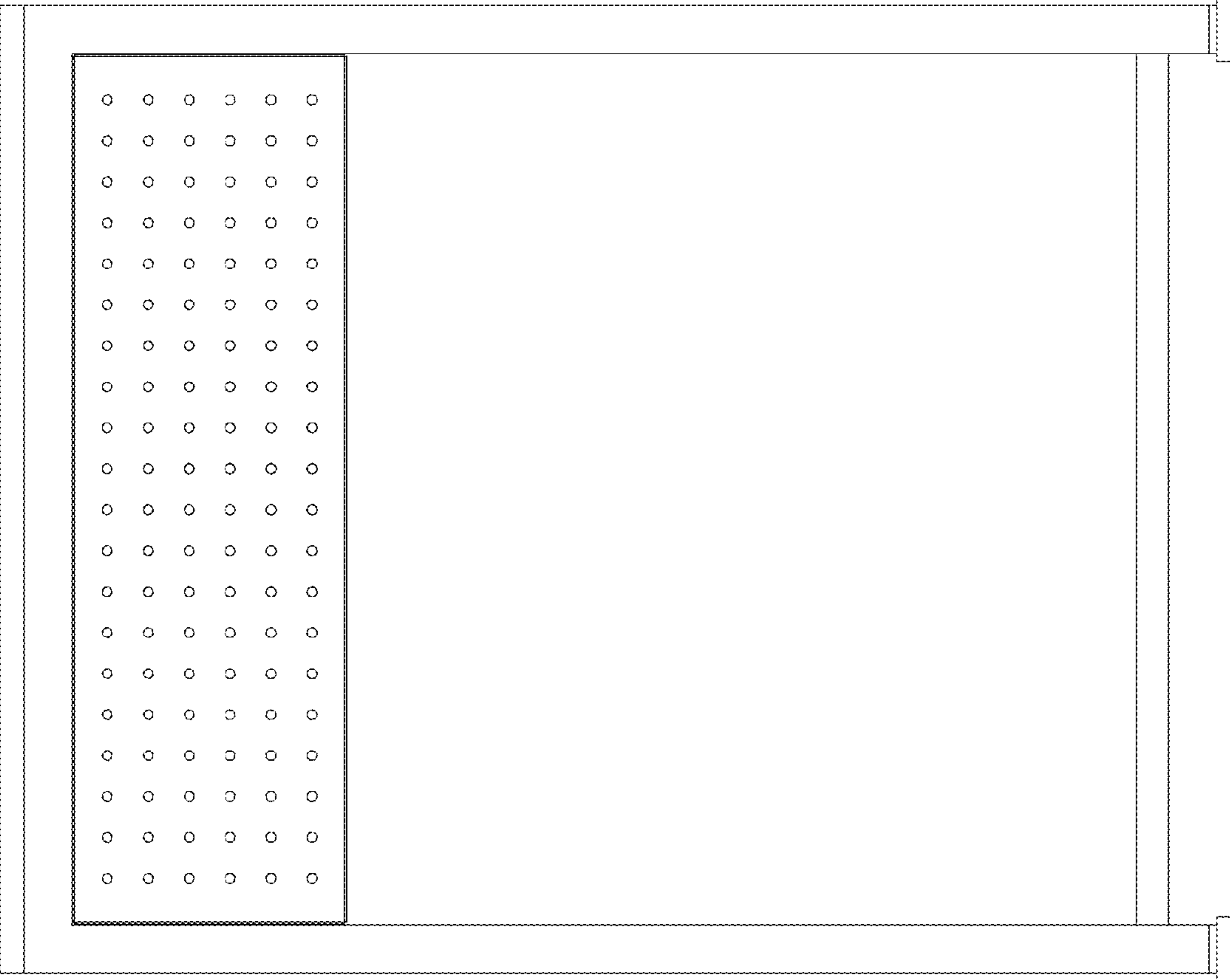


FIG.3

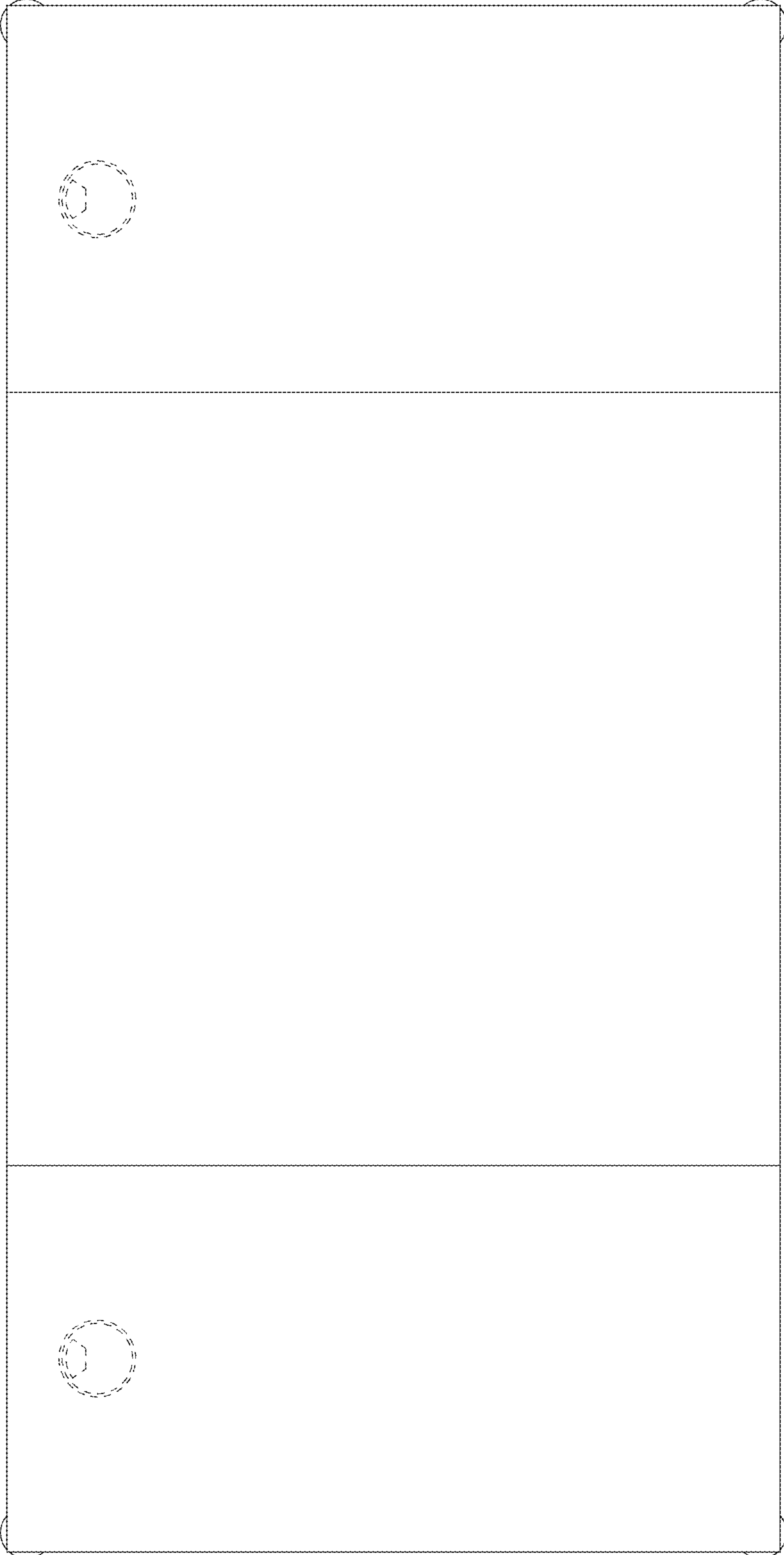


FIG.4

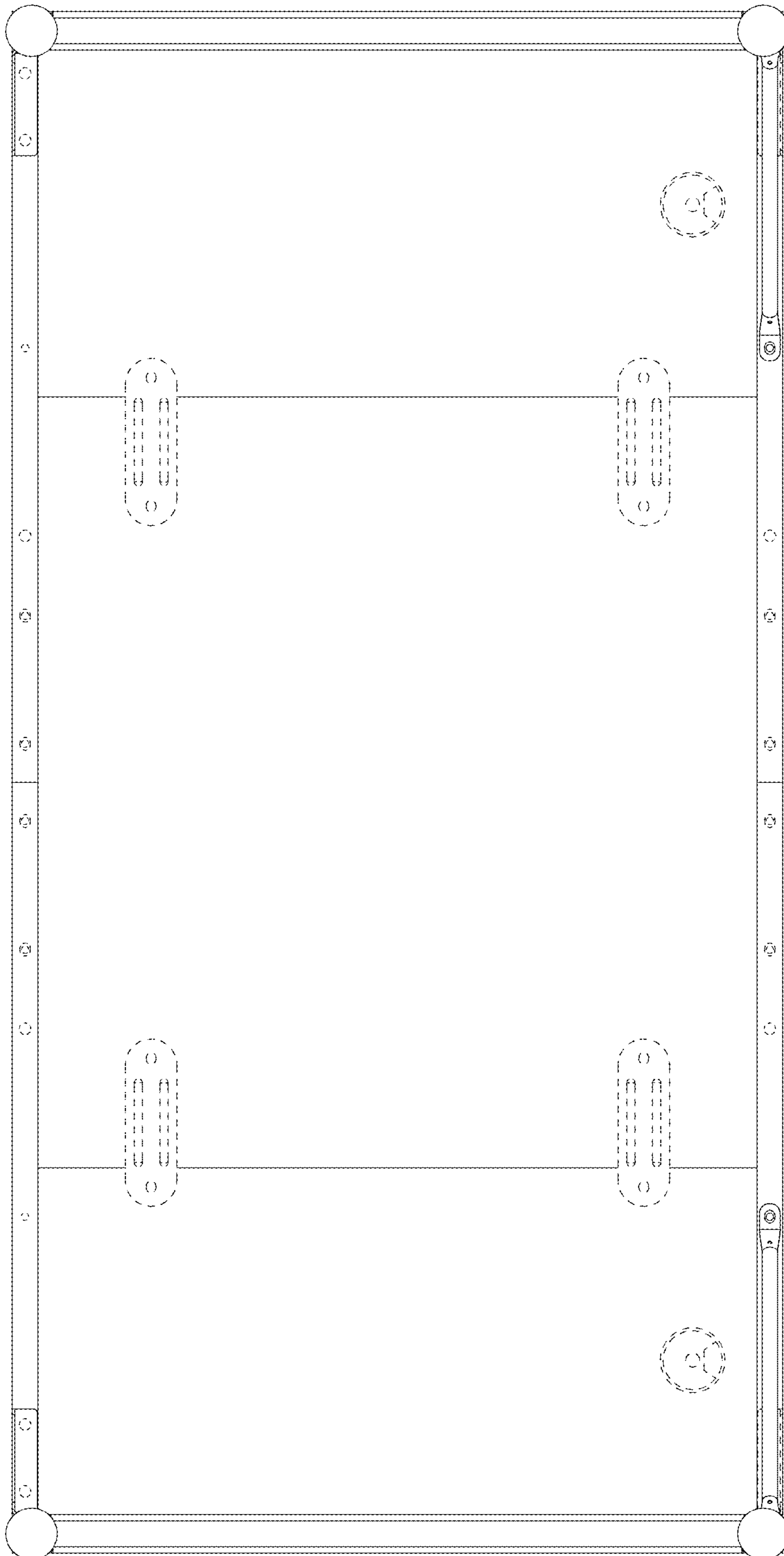


FIG.5