



US00D976612S

(12) **United States Design Patent** (10) **Patent No.:** **US D976,612 S**
MacNeil (45) **Date of Patent:** **** Jan. 31, 2023**

(54) **SOAP HOLDER**

OTHER PUBLICATIONS

- (71) Applicant: **MACNEIL IP LLC**, Bolingbrook, IL (US)
- (72) Inventor: **David F. MacNeil**, Fort Lauderdale, FL (US)
- (73) Assignee: **MACNEIL IP LLC**, Bolingbrook, IL (US)
- (**) Term: **15 Years**
- (21) Appl. No.: **29/777,617**
- (22) Filed: **Apr. 7, 2021**
- (51) **LOC (14) Cl.** **23-08**
- (52) **U.S. Cl.**
USPC **D6/536**
- (58) **Field of Classification Search**
USPC D6/536; D25/131, 133-135; D8/349, D8/350, 353, 354, 382, 396; D11/165, D11/166
CPC A42K 5/02-05; A42K 5/08
See application file for complete search history.

Showerring Soap Box Holder, posted Apr. 14, 2022 [online], [retrieved Oct. 27, 2022]. Retrieved from internet, <https://www.amazon.com/SHOWERRING-Draining-Decorative-Plastic-Bathroom/dp/B09XXN42MQ> (Year: 2022).*

Self-Drain Soap Holder, posted Apr. 14, 2022 [online], [retrieved Oct. 18, 2021]. Retrieved from internet, <https://www.amazon.com/Container-Suction-Punched-Draining-Bathroom/dp/B09JNLV262?th=1> (Year: 2021).*

Dock Base Plate, Posted unknown [online], [retrieved Oct. 31, 2021]. Retrieved from internet, <https://www.amazon.com/Dock-Edge-Plate-2-125-Punch/dp/B00633MWCC?th=1> (Year: 2022).*

Telescoping Flagpole Deck Mount, posted unknown [online], [retrieved Oct. 31, 2021]. Retrieved from internet, <https://www.libertyflagpoles.com/products/telescoping-flagpole-deck-mount> (Year: 2022).*

* cited by examiner

Primary Examiner — Cynthia Ramirez
Assistant Examiner — Jeremy S. Swartz
 (74) *Attorney, Agent, or Firm* — Perkins IP Law Group LLC; Jefferson Perkins

(56) **References Cited**

U.S. PATENT DOCUMENTS

D213,134 S *	1/1969	Merritt	D25/68
D228,842 S *	10/1973	Tegner	D6/536
4,445,808 A *	5/1984	Arya	E21D 21/0086
				D8/399
D358,517 S *	5/1995	Sharpe	D6/536
D375,859 S *	11/1996	Sharpe	D6/536
D453,647 S *	2/2002	Gottwald	D6/540
D463,250 S *	9/2002	Valentz	D8/349
D485,105 S *	1/2004	Loor	D6/536
D628,047 S *	11/2010	Craig	D8/354
D948,081 S *	4/2022	Goldberg	D25/133

FOREIGN PATENT DOCUMENTS

CN	307329724	*	5/2022
CN	307501663	*	8/2022

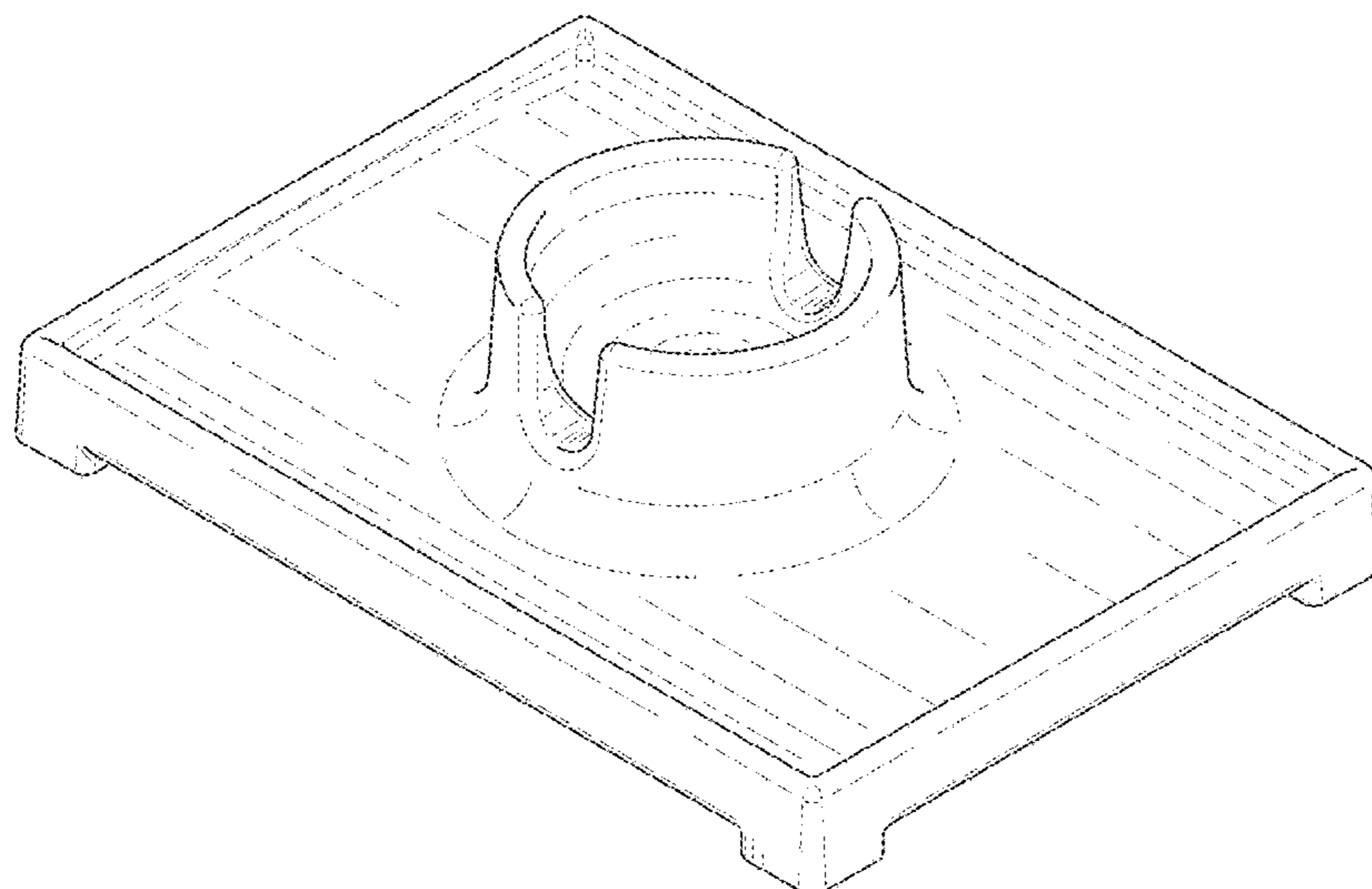
(57) **CLAIM**

I claim the ornamental design for a soap holder, as shown and described.

DESCRIPTION

FIG. 1 is a top perspective view of a soap holder showing my new design;
 FIG. 2 is a front view thereof, a back view thereof being identical to the front view;
 FIG. 3 is a left side view thereof, a right side view thereof being identical to the left side view;
 FIG. 4 is a top view thereof; and,
 FIG. 5 is a bottom view thereof.

1 Claim, 5 Drawing Sheets



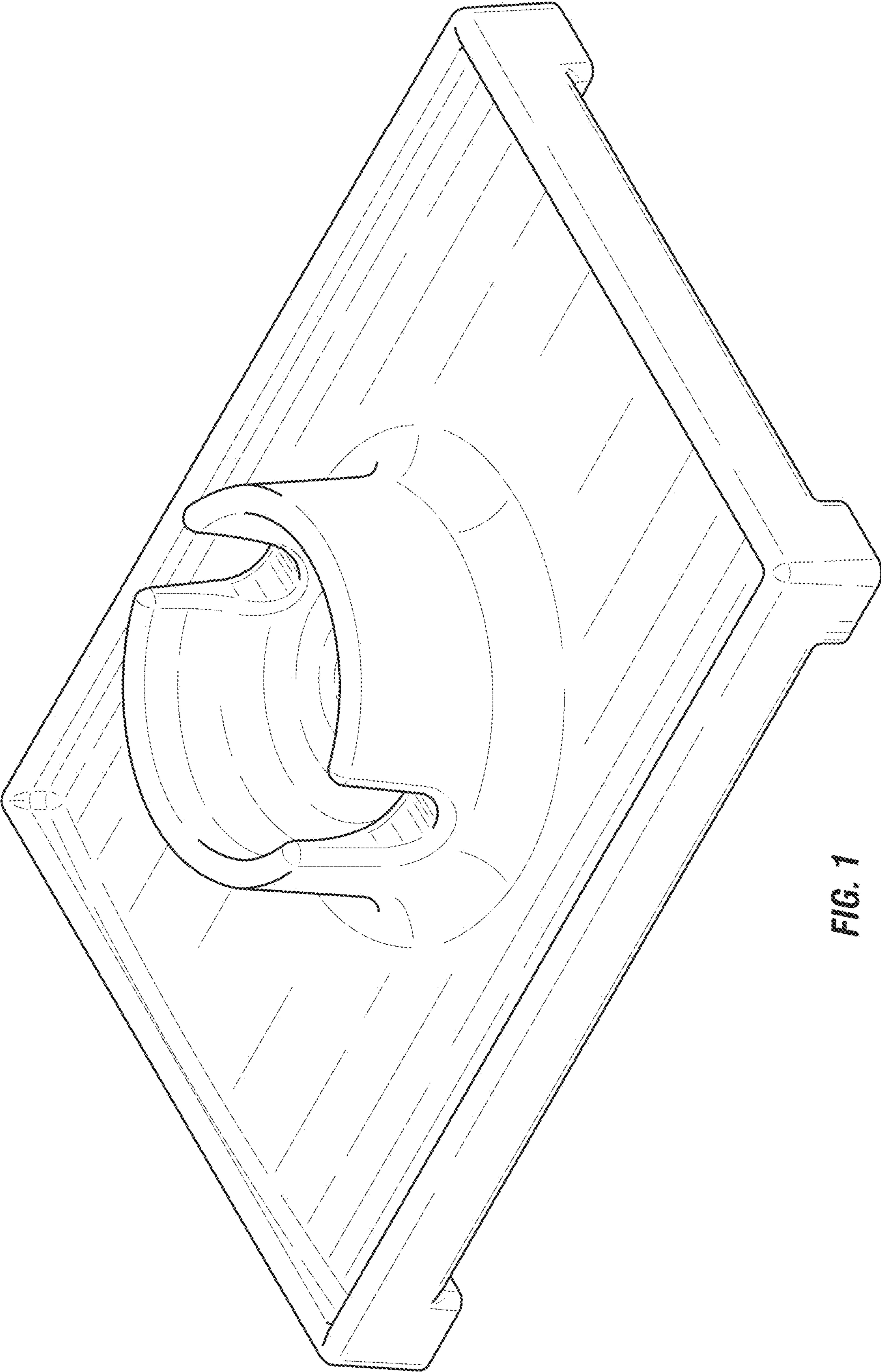


FIG. 1

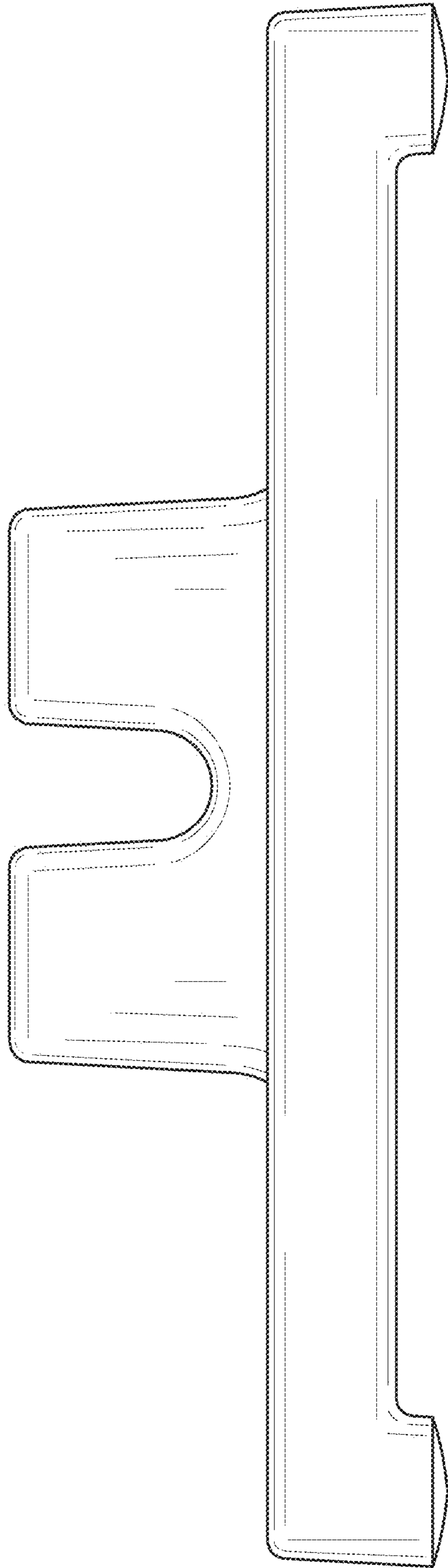


FIG. 2

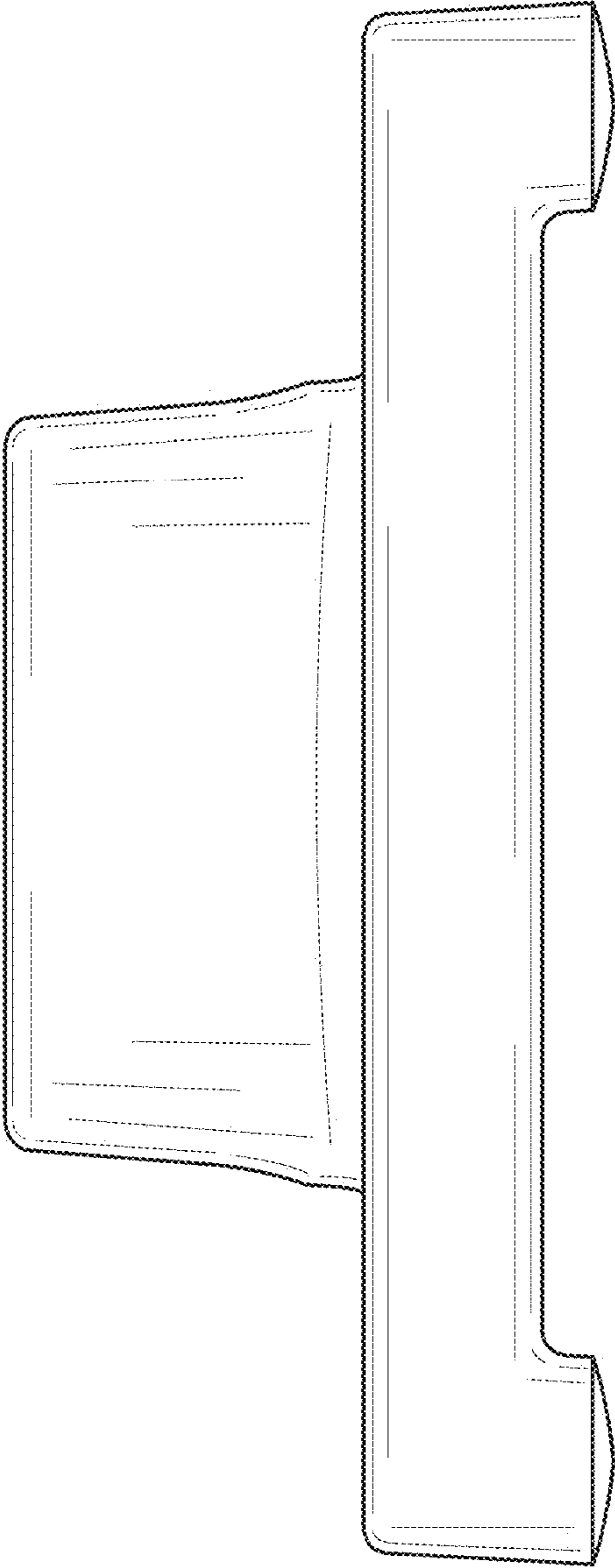


FIG. 3

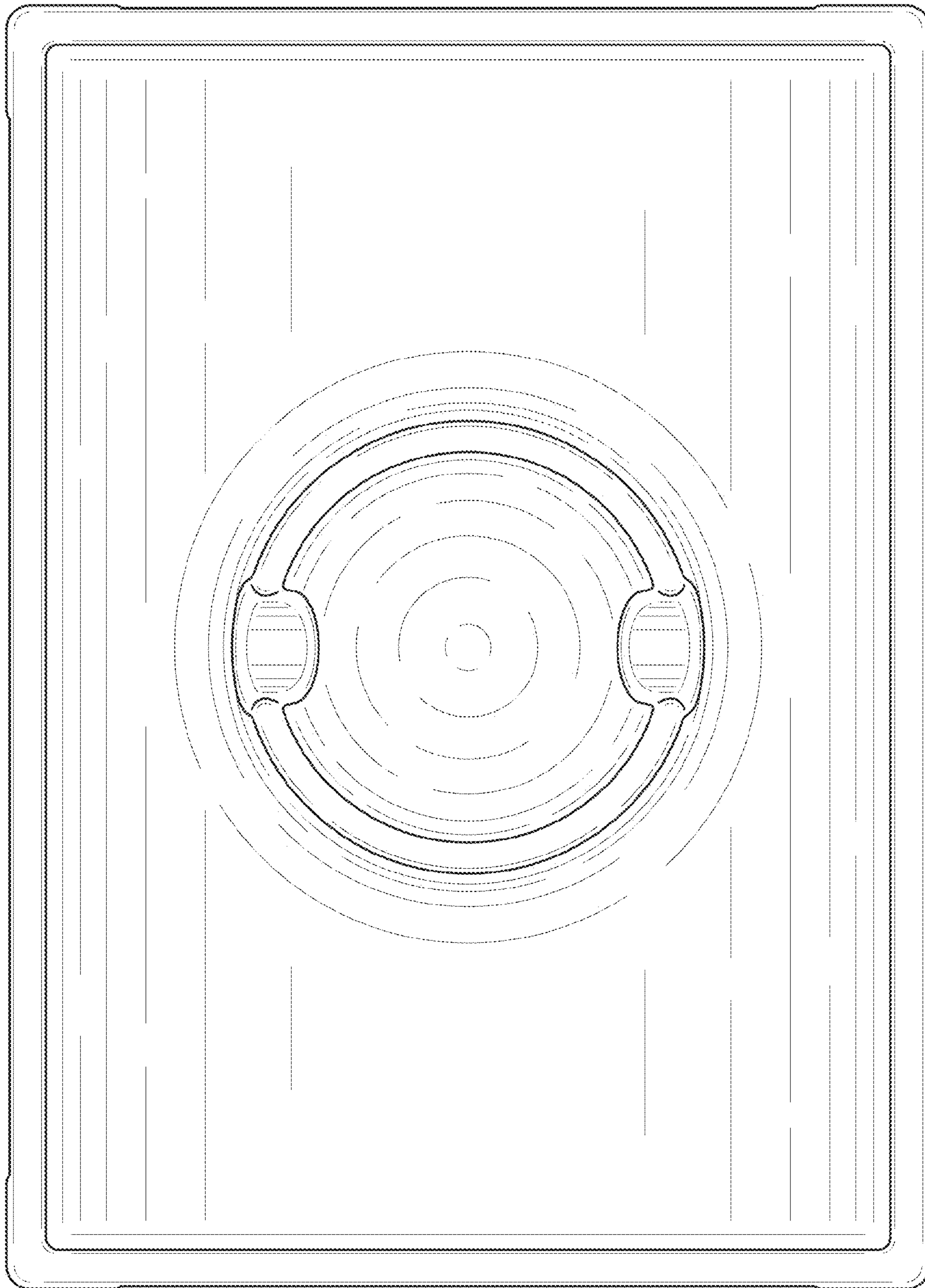


FIG. 4

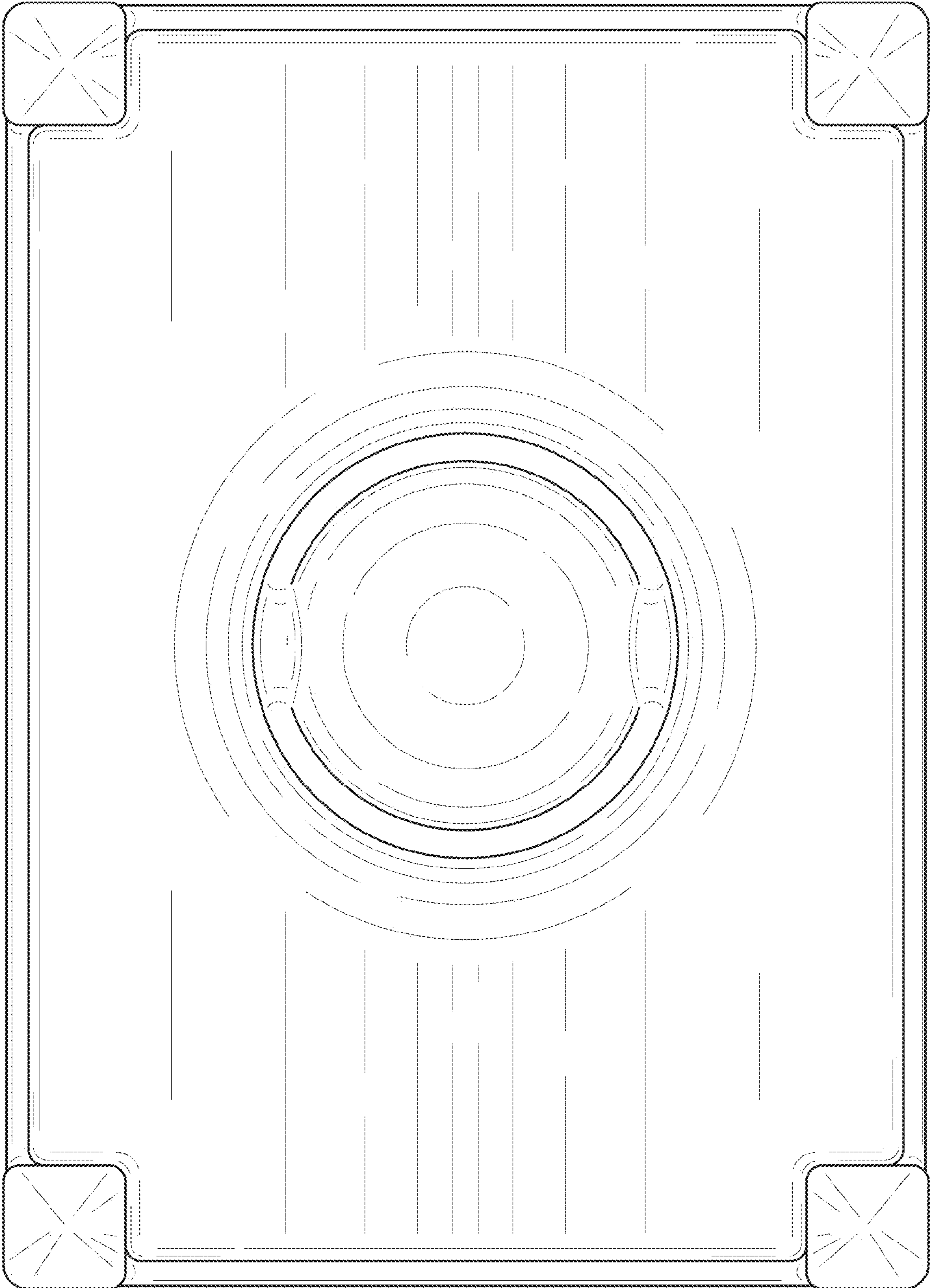


FIG. 5