



US00D976610S

(12) **United States Design Patent** (10) **Patent No.:** **US D976,610 S**  
**Riehle et al.** (45) **Date of Patent:** **\*\* Jan. 31, 2023**

(54) **RAZOR HANGER**

(71) Applicant: **The Gillette Company LLC**, Boston, MA (US)

(72) Inventors: **Jonathon Albert Riehle**, Brighton, MA (US); **Armando Miguel Hurtado**, Boston, MA (US)

(73) Assignee: **The Gillette Company LLC**, Boston, MA (US)

(\*\*) Term: **15 Years**

(21) Appl. No.: **29/741,900**

(22) Filed: **Jul. 16, 2020**

(51) **LOC (14) Cl.** ..... **28-03**

(52) **U.S. Cl.**  
USPC ..... **D6/526**

(58) **Field of Classification Search**  
USPC ..... D6/526, 527, 512, 524, 528, 534, 540;  
211/13.1, 66, 70.6, 86.01, 87.01, 89.01;  
248/127, 176.1, 200, 205.5, 309.1, 314;  
206/244, 361, 362.1, 362.2, 362.3, 208,  
206/209, 228, 252, 345-360, 493, 775;  
D8/373

CPC ..... A45D 27/29; A45D 27/225; A45D 27/24;  
A45D 27/46; A45D 34/06; B26B 21/32;  
B26B 5/006; B26B 21/14

See application file for complete search history.

(56) **References Cited**

**U.S. PATENT DOCUMENTS**

3,350,830 A \* 11/1967 Smith, Jr. .... E04F 13/0855  
52/489.1  
D243,426 S \* 2/1977 Joslyn ..... D6/567  
D296,520 S \* 7/1988 Spinetta ..... 248/312  
D300,406 S \* 3/1989 Bordian ..... D8/367  
D312,385 S \* 11/1990 Hamann ..... D8/367  
D327,213 S \* 6/1992 Murphy ..... D8/367  
D334,500 S \* 4/1993 LaLonde ..... D6/552

D354,988 S \* 1/1995 Garza ..... D6/552  
D356,002 S \* 3/1995 Morgan ..... D6/552  
D417,807 S \* 12/1999 McBarnette ..... D6/513  
D431,137 S \* 9/2000 McBarnette ..... D6/513  
D455,643 S \* 4/2002 Aubin ..... D8/373  
D462,216 S \* 9/2002 Jablonski ..... D6/524  
D480,245 S \* 10/2003 Johansson ..... D6/528  
D550,401 S \* 9/2007 Rhoad et al.  
D560,088 S \* 1/2008 Tracy ..... D6/552  
D602,634 S 10/2009 Cataudella et al.  
D613,456 S 4/2010 Cataudella

(Continued)

**FOREIGN PATENT DOCUMENTS**

CN 305475418 12/2019  
WO 200832 8/2019

**OTHER PUBLICATIONS**

U.S. Appl. No. 29/741,901, filed Jul. 16, 2020, Armando Miguel Hurtado et al.

(Continued)

*Primary Examiner* — Nathan M Johnston

(74) *Attorney, Agent, or Firm* — Joanne N. Pappas

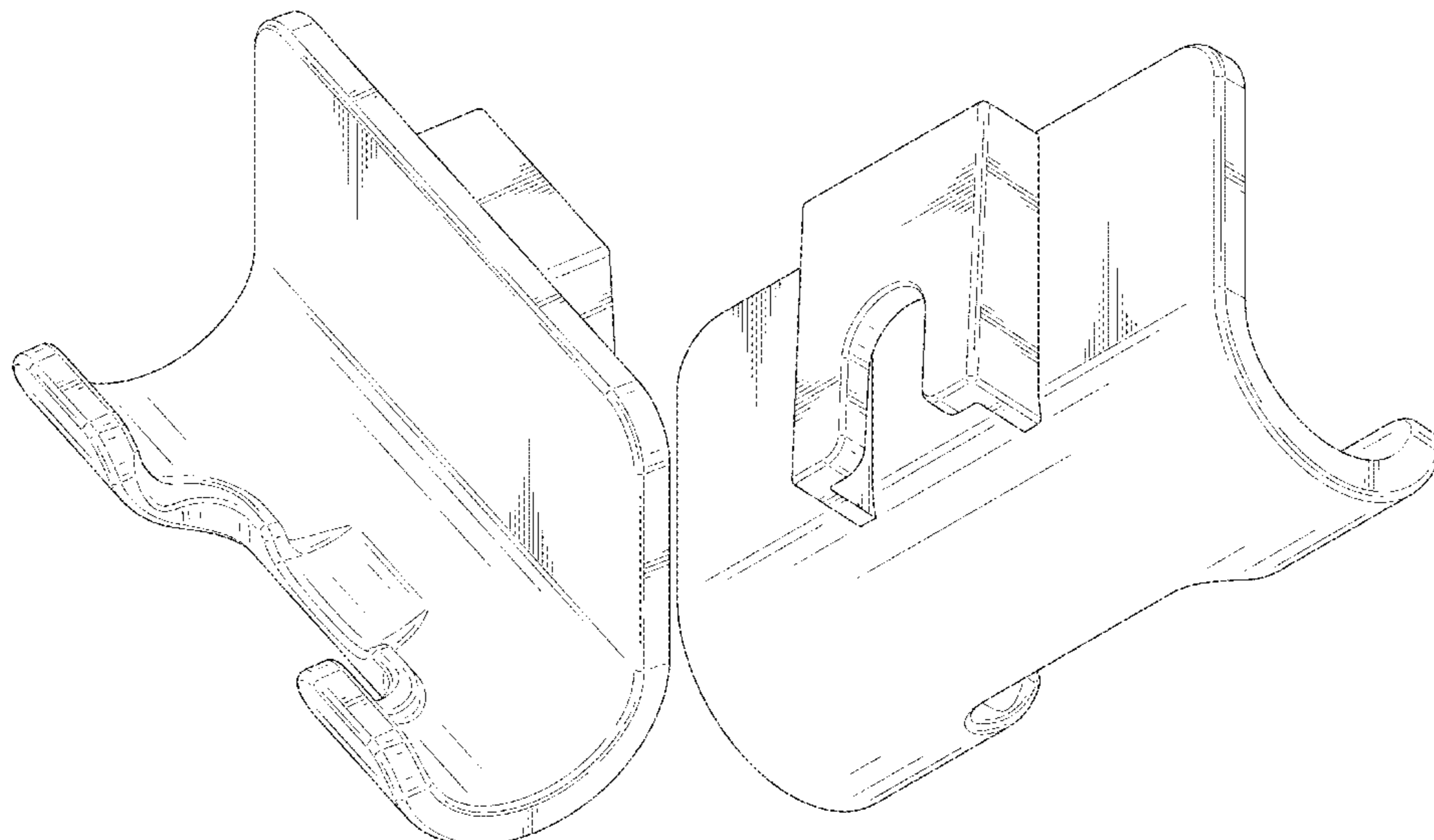
(57) **CLAIM**

The ornamental design for a razor hanger, as shown and described.

**DESCRIPTION**

FIG. 1 is a front perspective view of a design of a razor hanger of the present invention;  
FIG. 2 is a front view thereof;  
FIG. 3 is a back view thereof;  
FIG. 4 is a right side view thereof;  
FIG. 5 is a left side view thereof;  
FIG. 6 is a top view thereof;  
FIG. 7 is a bottom view thereof; and,  
FIG. 8 is rear perspective view thereof.

**1 Claim, 5 Drawing Sheets**



(56)

**References Cited**

U.S. PATENT DOCUMENTS

D625,130	S *	10/2010	Szczepanowski .....	D6/526
D632,516	S *	2/2011	Schulz .....	D6/526
D640,079	S *	6/2011	Kinard .....	D6/534
8,186,062	B2	5/2012	Fischer et al.	
8,448,339	B2	5/2013	Walker, Jr.	
D711,213	S *	8/2014	Schorn .....	D8/373
D736,071	S *	8/2015	Wu .....	D8/373
D781,683	S *	3/2017	Yi .....	D8/354
D843,058	S	3/2019	Fyfield et al.	
D843,060	S	3/2019	Fyfield et al.	
D843,659	S	3/2019	Go	
D844,473	S *	4/2019	Maulder .....	G01D 11/30 D8/371
D873,580	S *	1/2020	McGarry .....	D6/526
D874,180	S *	2/2020	McGarry .....	D6/526
D874,725	S	2/2020	Riehle et al.	
D882,175	S	4/2020	Riehle et al.	
D889,162	S *	7/2020	Elliott .....	D6/526
D893,287	S *	8/2020	Wendling .....	D8/371

D939,773	S	12/2021	Kim
D945,068	S	3/2022	Lee
2011/0203124	A1	8/2011	Bridges et al.
2019/0299465	A1	10/2019	Gester et al.
2020/0070374	A1	3/2020	Long et al.
2020/0070375	A1	3/2020	Hurtado et al.
2022/0001559	A1	1/2022	Hiller et al.

OTHER PUBLICATIONS

U.S. Appl. No. 29/741,906, filed Jul. 16, 2020, Armando Miguel Hurtado et al.

U.S. Appl. No. 29/717,365, filed Dec. 17, 2019, Christopher Ramm et al.

Non Final Office Action; U.S. Appl. No. 29/741,901 dated Mar. 28, 2022.

Notice of Allowance; U.S. Appl. No. 29/717,365 dated Jul. 8, 2022.

Notice of Allowance; U.S. Appl. No. 29/741,906 dated Mar. 30, 2022.

\* cited by examiner

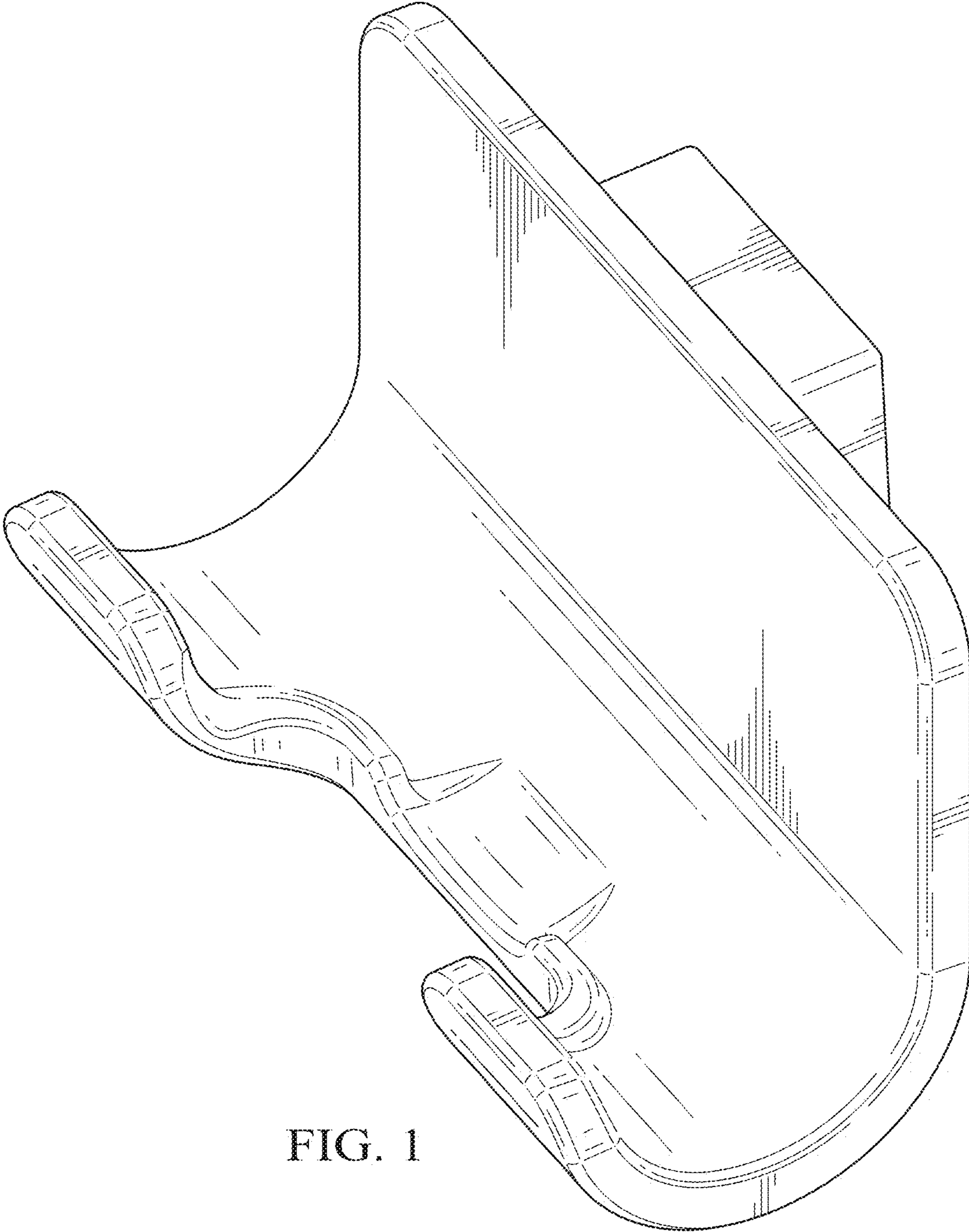


FIG. 1

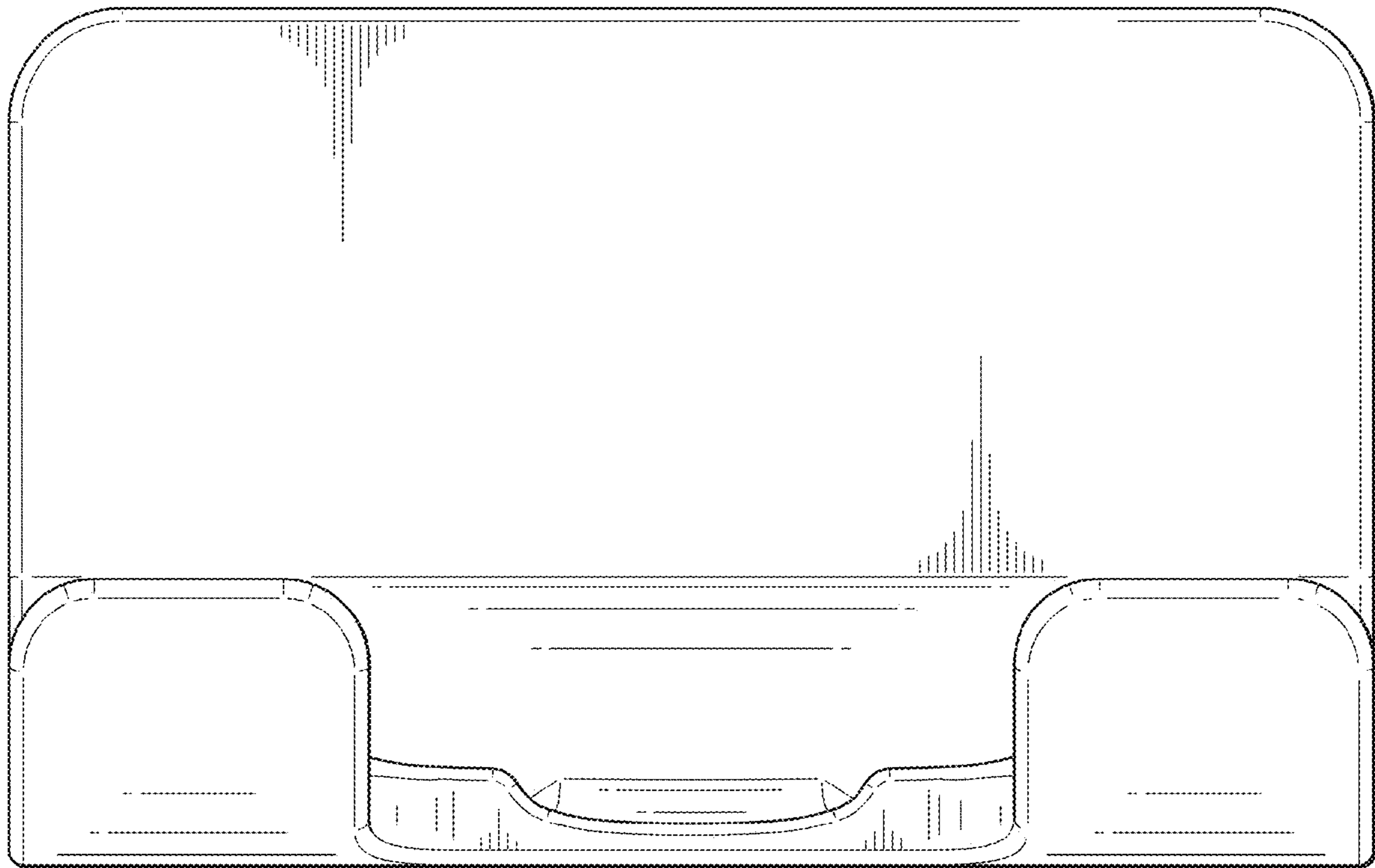


FIG. 2

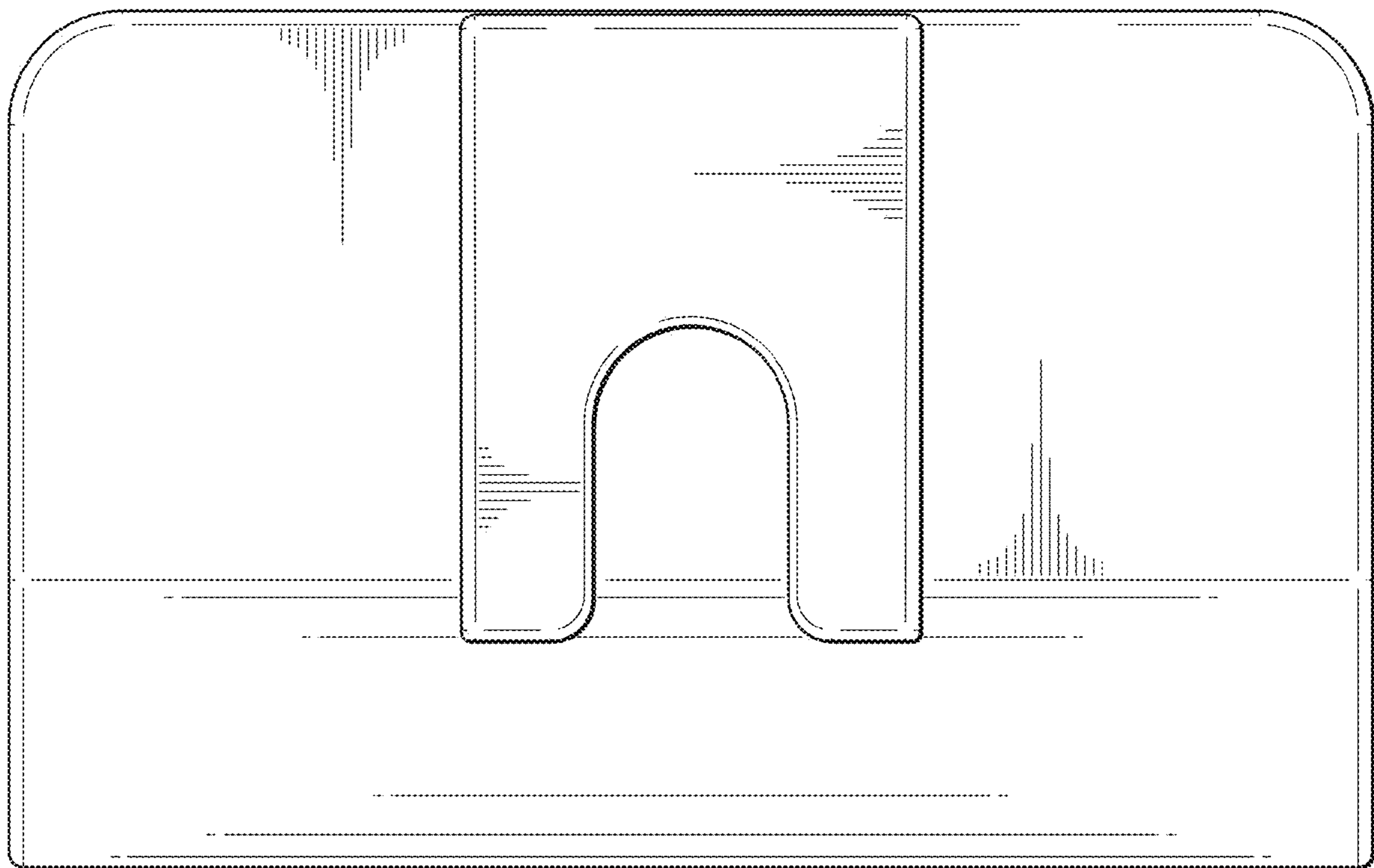


FIG. 3

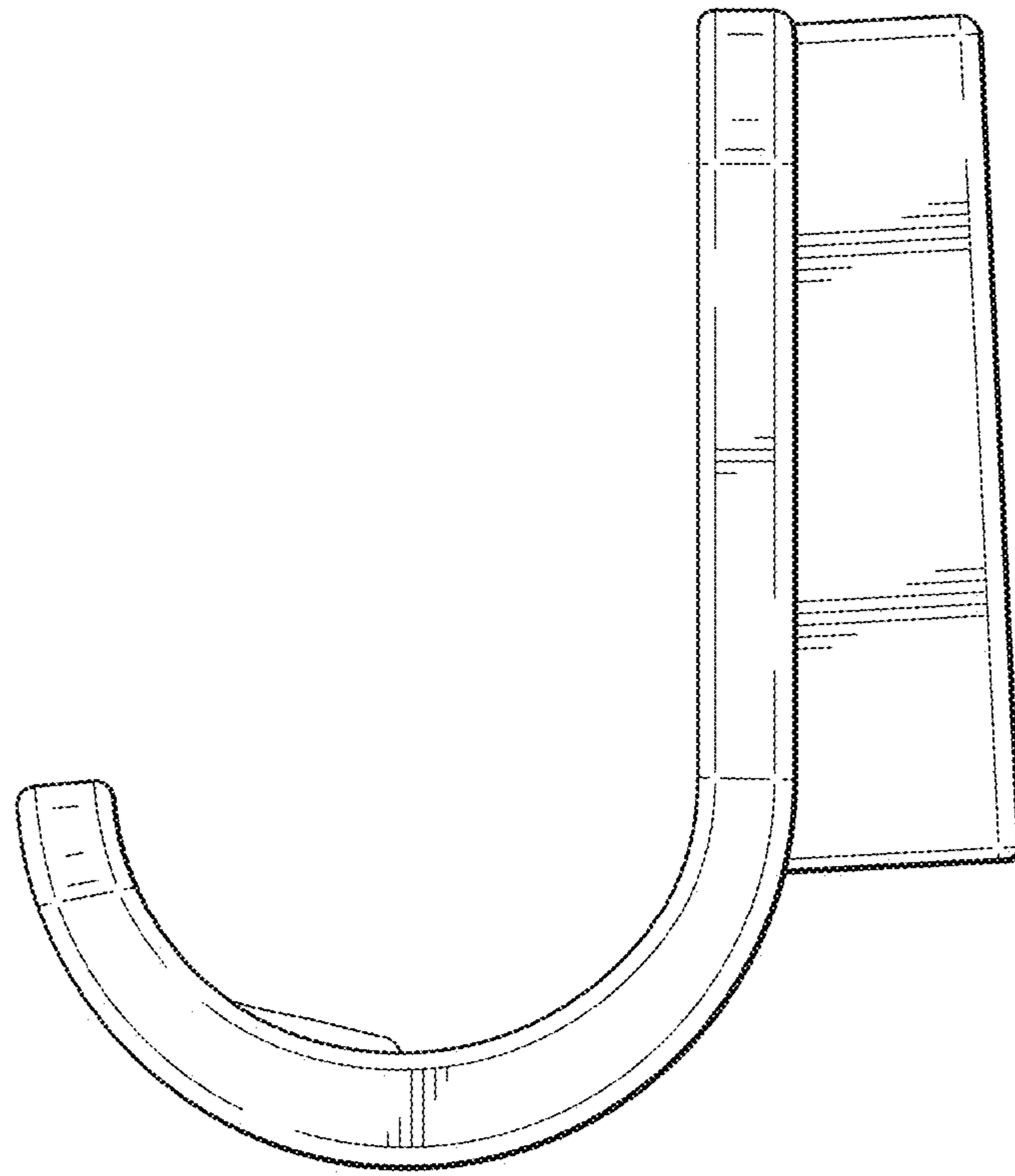


FIG. 4

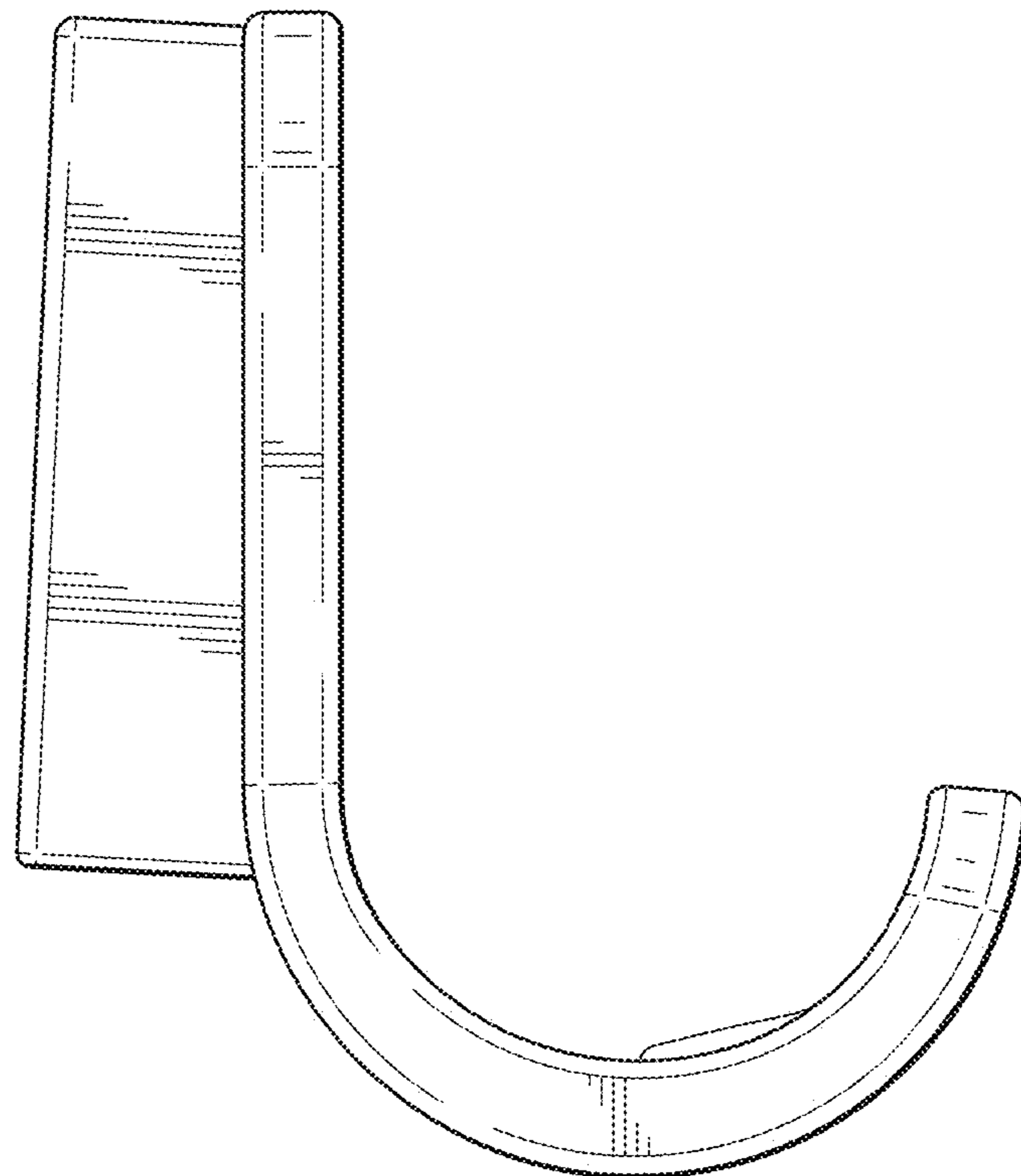


FIG. 5

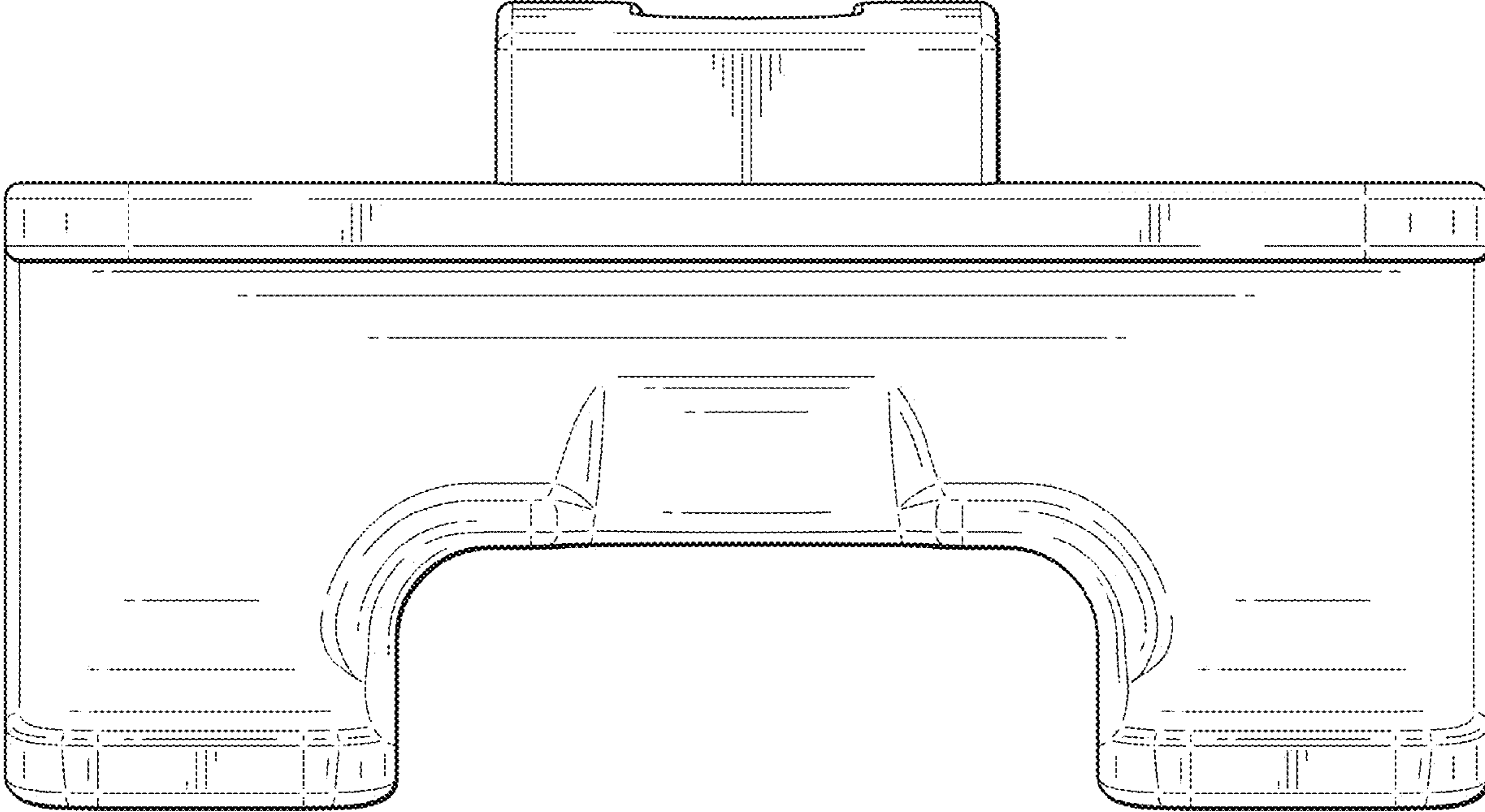


FIG. 6

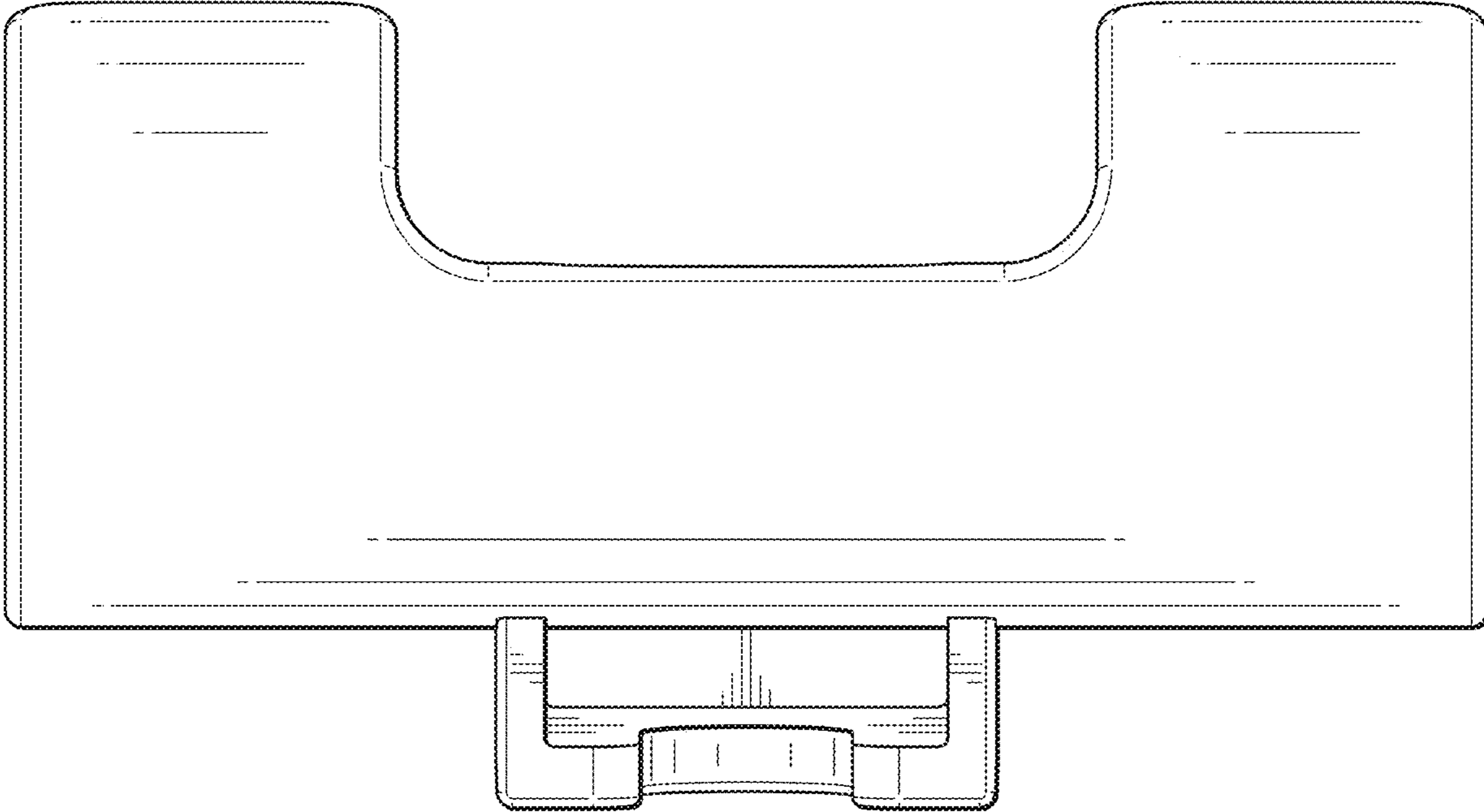


FIG. 7

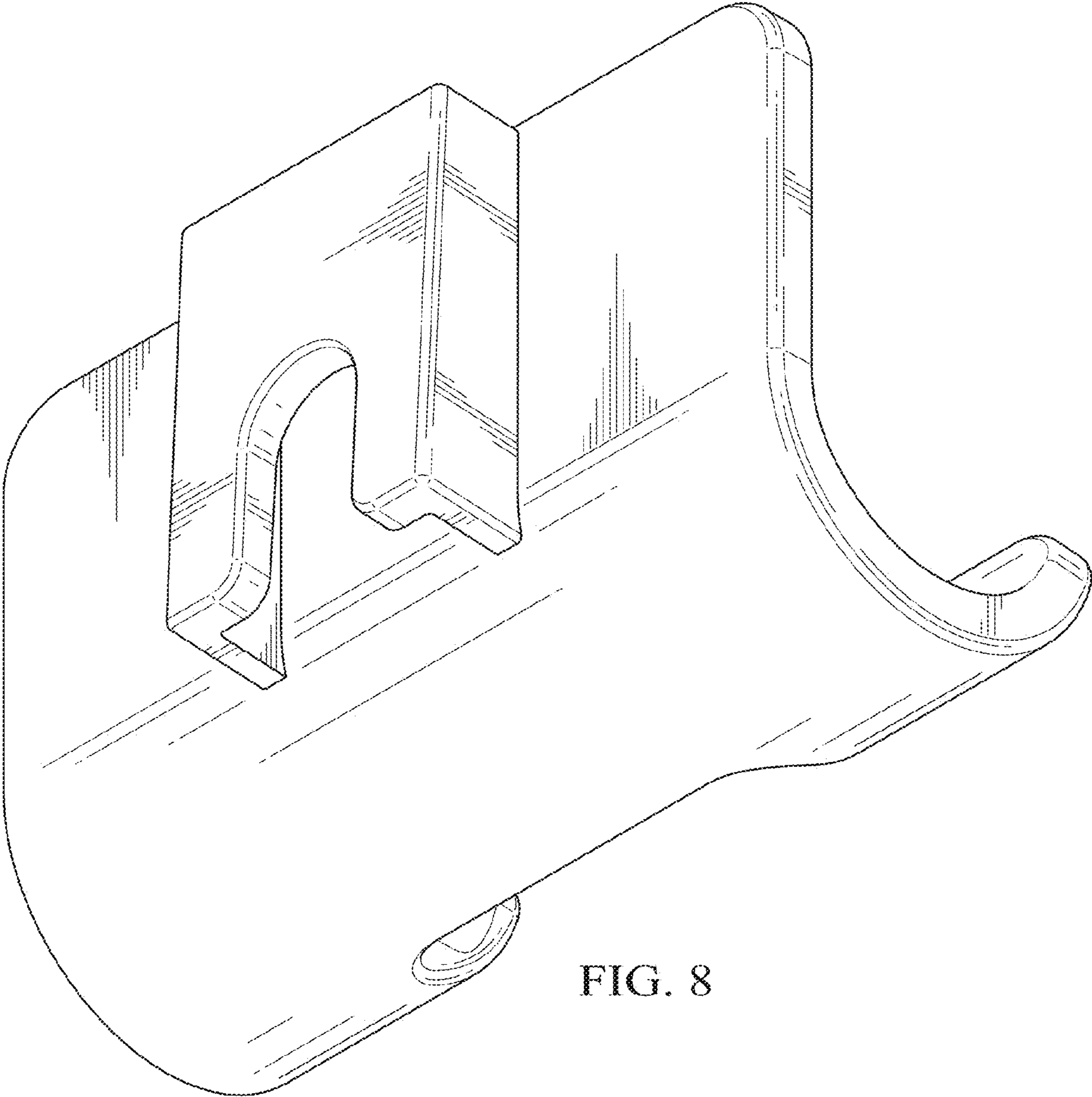


FIG. 8