



US00D976609S

(12) **United States Design Patent**
Holzmann et al.

(10) **Patent No.:** **US D976,609 S**

(45) **Date of Patent:** **** Jan. 31, 2023**

- (54) **SEAT COVER DISPENSER**
- (71) Applicant: **Bradley Corporation**, Menomonee Falls, WI (US)
- (72) Inventors: **Simon Holzmann**, Zorneding (DE); **Stefan Hillenmayer**, Munich (DE); **Ning Zhou**, Munich (DE); **Maximilian Schneider**, Münche (DE); **Laura Beth Stang**, Mukwonago, WI (US); **Vincenz Marschall**, Munich (DE)
- (73) Assignee: **Bradley Corporation**, Menomonee Falls, WI (US)
- (**) Term: **15 Years**
- (21) Appl. No.: **29/728,359**
- (22) Filed: **Mar. 18, 2020**
- (51) **LOC (14) Cl.** **23-02**
- (52) **U.S. Cl.**
USPC **D6/518**
- (58) **Field of Classification Search**
USPC D6/542–545, 553, 567, 574, 515–525
CPC A47K 13/22; A47K 13/165; A47K 17/003;
B65H 35/0006; B65H 16/005; B65D
83/08
See application file for complete search history.

- D387,229 S * 12/1997 Cameron D6/518
- D408,184 S * 4/1999 Tramontina D6/518
- D410,357 S * 6/1999 Tramontina D6/518
- D424,853 S * 5/2000 Singletary D6/522
- D426,411 S * 6/2000 Tramontina D6/522
- D530,555 S 10/2006 Karraker et al.
- D615,329 S 5/2010 Meyerhoffer
- D616,683 S 6/2010 Law et al.
- D624,340 S 9/2010 Benedetti
- D634,142 S 3/2011 Meyerhoffer
- D634,953 S 3/2011 Meyerhoffer
- D641,578 S 7/2011 Meyerhoffer
- D648,585 S 11/2011 Meyerhoffer

(Continued)

Primary Examiner — Nathan M Johnston

(74) *Attorney, Agent, or Firm* — Boyle Fredrickson, S.C.

(57) **CLAIM**

The ornamental design for a seat cover dispenser, substantially as shown and described.

DESCRIPTION

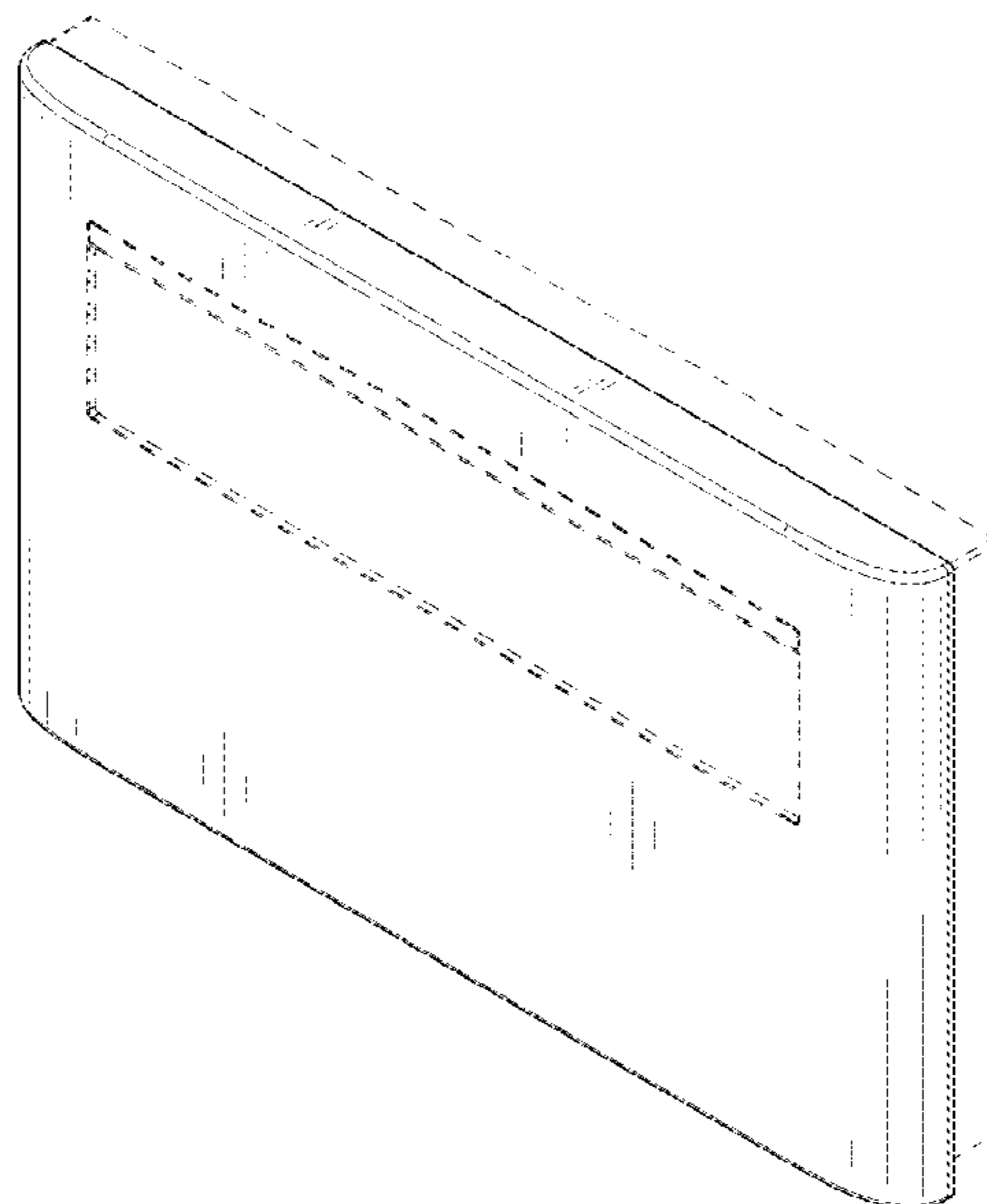
FIG. 1 is a front, raised perspective view of a seat cover dispenser according to the invention;
 FIG. 2 is a front view of the seat cover dispenser of FIG. 1;
 FIG. 3 is a rear view of the seat cover dispenser of FIG. 1;
 FIG. 4 is a right side view of the seat cover dispenser of FIG. 1;
 FIG. 5 is a left side view of the seat cover dispenser of FIG. 1;
 FIG. 6 is a top view of the seat cover dispenser of FIG. 1;
 FIG. 7 is a bottom view of the seat cover dispenser of FIG. 1; and,
 FIG. 8 is a front, lowered perspective view of the seat cover dispenser of FIG. 1.
 The broken-lines shown in the drawings form no part of the claimed design.

1 Claim, 7 Drawing Sheets

(56) **References Cited**

U.S. PATENT DOCUMENTS

- D99,221 S * 4/1936 Steiner D6/519
- 2,109,412 A * 2/1938 Corbin A47K 10/424
312/201
- 3,540,619 A * 11/1970 Perrin A47K 17/003
221/46
- D312,369 S * 11/1990 De Luca D6/522
- 5,007,319 A * 4/1991 Armbruster B26D 1/185
83/649
- D332,889 S * 2/1993 Hines D6/518



(56)

References Cited

U.S. PATENT DOCUMENTS

D653,888 S	2/2012	Velazquez et al.	
D686,840 S	7/2013	Mackay	
D687,653 S	8/2013	Giovannoni	
D696,041 S	12/2013	Mackay	
D703,463 S	4/2014	Giovannoni	
D704,950 S *	5/2014	Bogner	D6/545
D726,443 S	4/2015	Giovannoni	
D726,444 S	4/2015	Giovannoni	
D726,445 S	4/2015	Giovannoni	
D790,873 S	7/2017	Ku et al.	
D794,355 S *	8/2017	Tirondola	D6/559
D796,866 S	9/2017	Johnson	
D796,867 S	9/2017	Johnson	
D796,868 S	9/2017	Johnson	
D809,819 S	2/2018	Johnson	
D811,120 S	2/2018	Johnson	
D830,636 S	10/2018	Loong	
D840,171 S	2/2019	Buell et al.	
D840,712 S	2/2019	Buell et al.	
D840,713 S	2/2019	Buell et al.	
D855,348 S	8/2019	Buell et al.	
D869,193 S	12/2019	Peterson	
D871,672 S	12/2019	Hongfei	

* cited by examiner

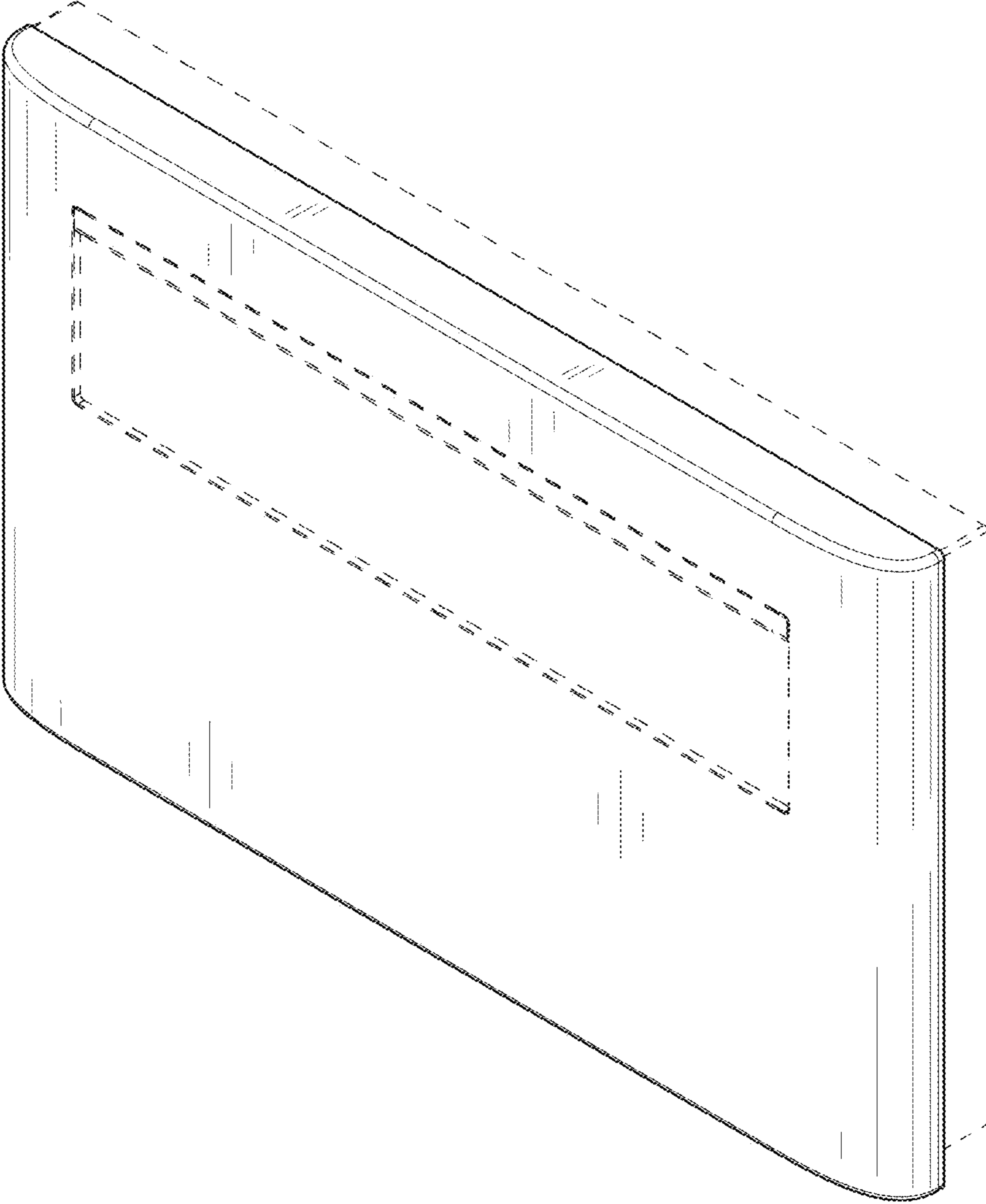


FIG. 1

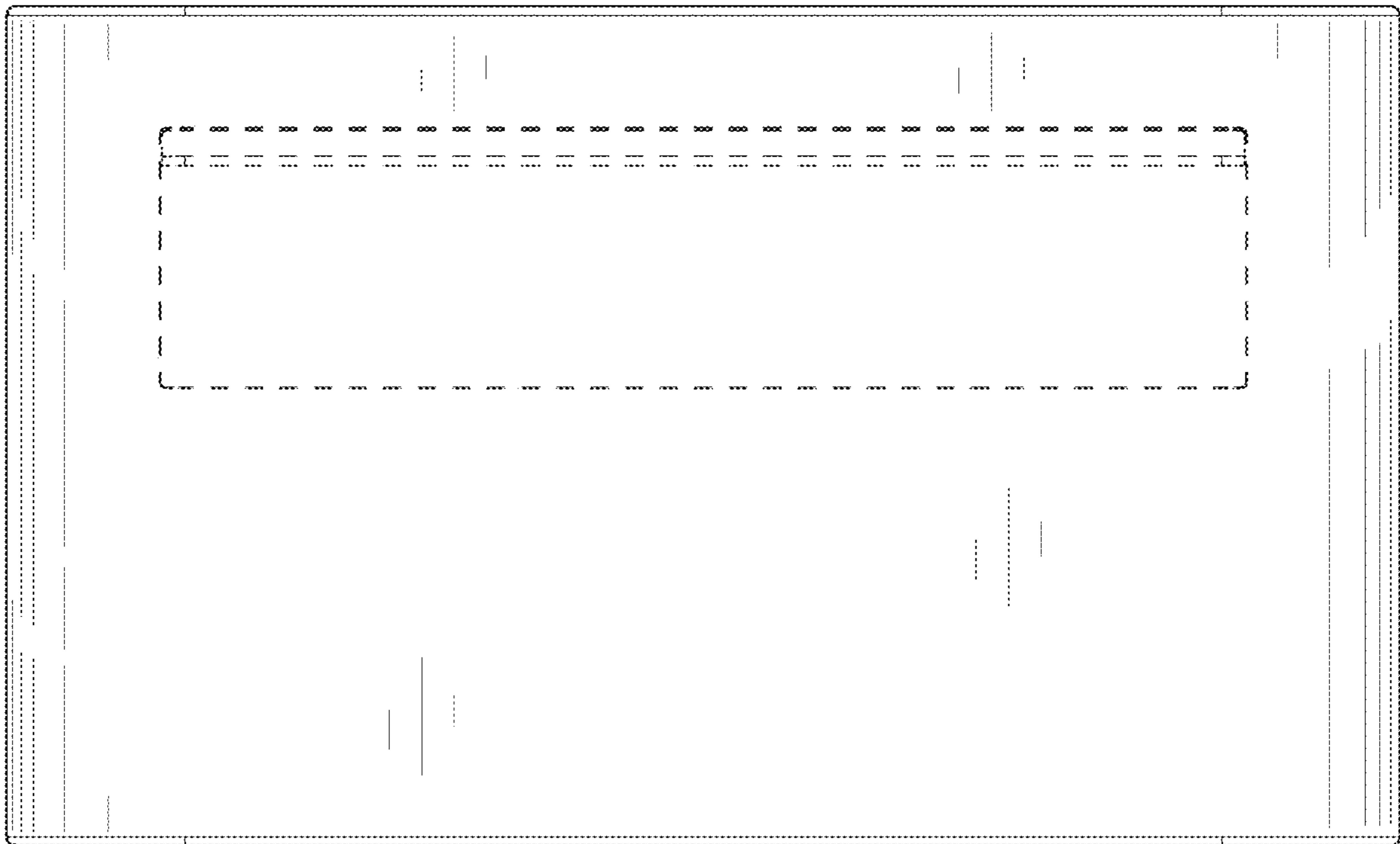


FIG. 2



FIG. 3

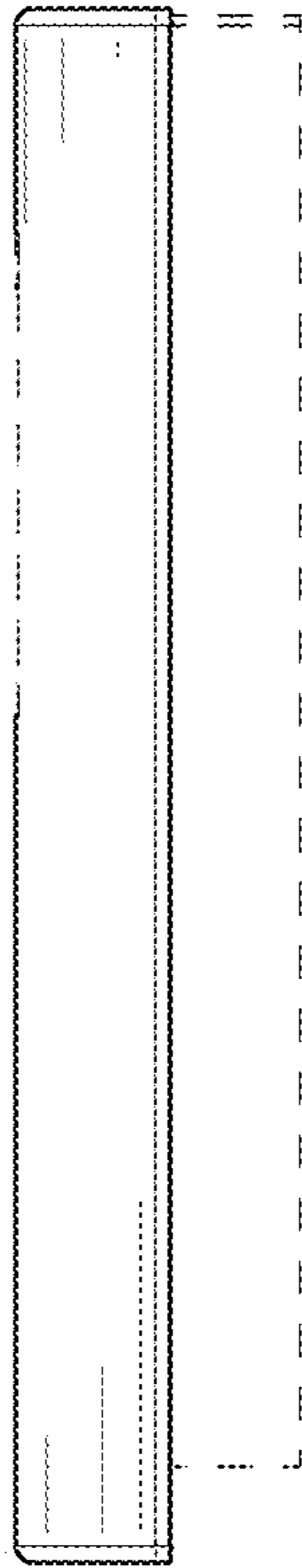


FIG. 4

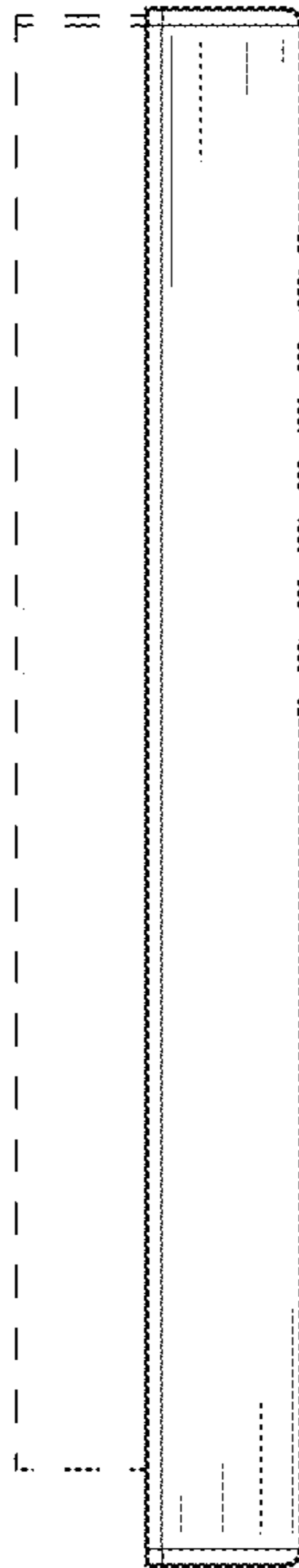


FIG. 5

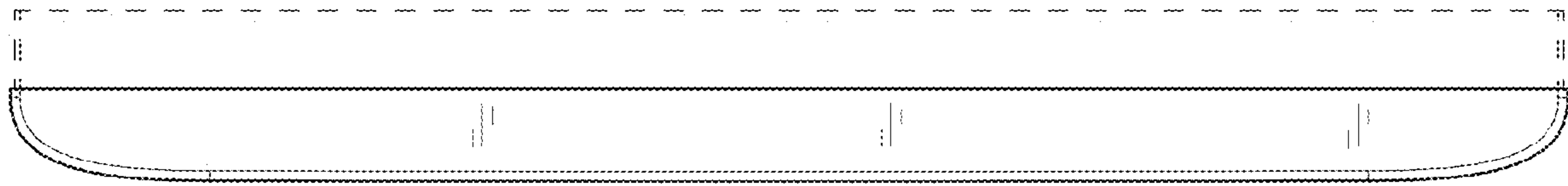


FIG. 6



FIG. 7

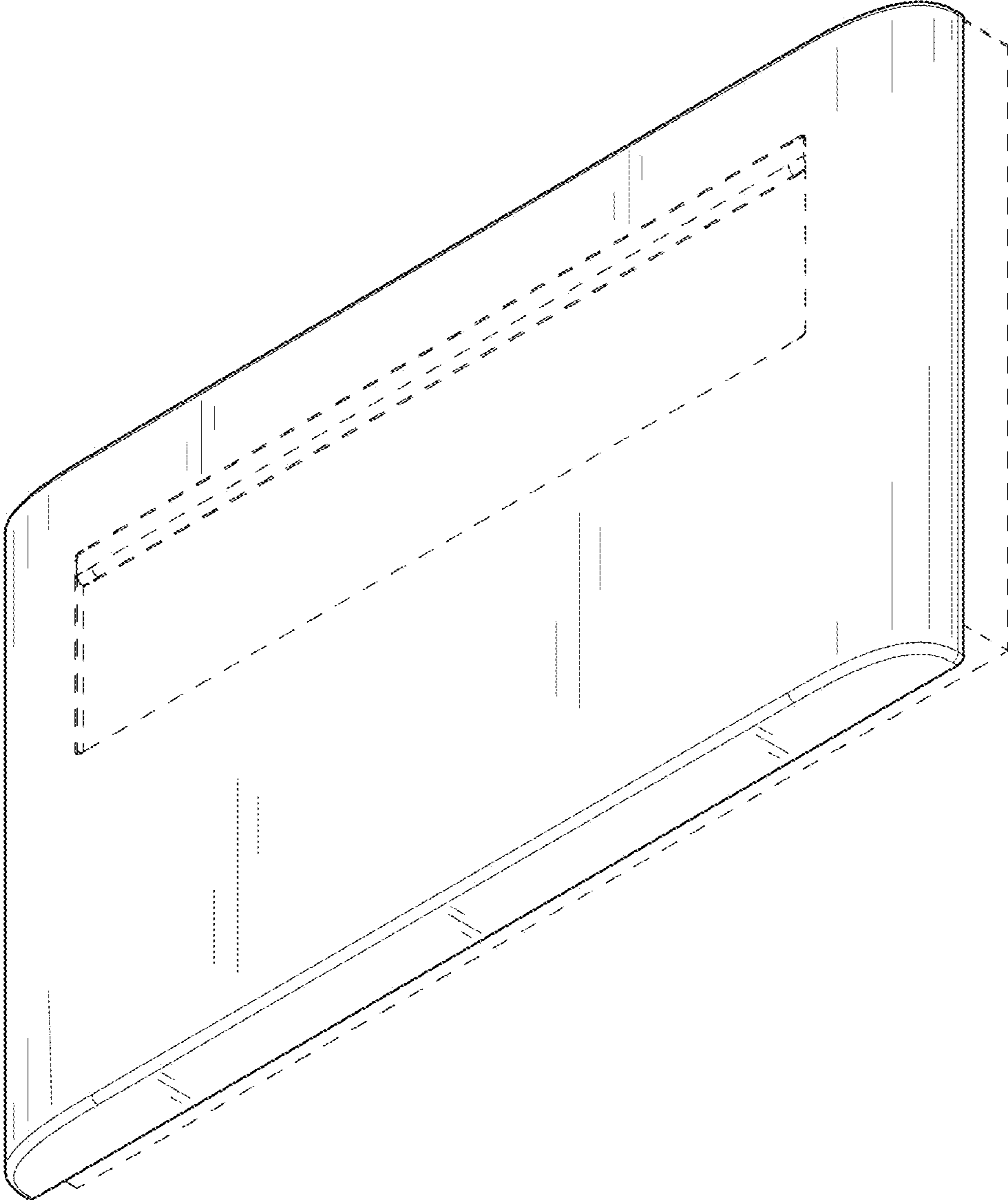


FIG. 8