



US00D976608S

(12) **United States Design Patent**  
**Longenecker**

(10) **Patent No.: US D976,608 S**  
(45) **Date of Patent: \*\* Jan. 31, 2023**

(54) **ORGANIZER FOR AN INFANT CHANGING TABLE**

(71) Applicant: **ARTSANA USA, INC.**, Lancaster, PA (US)

(72) Inventor: **Michael L. Longenecker**, Lancaster, PA (US)

(73) Assignee: **Artsana USA, Inc.**, Lancaster, PA (US)

(\*\*) Term: **15 Years**

(21) Appl. No.: **29/763,082**

(22) Filed: **Dec. 21, 2020**

(51) **LOC (14) Cl. .... 06-02**

(52) **U.S. Cl.**  
USPC ..... **D6/390**

(58) **Field of Classification Search**  
USPC ..... D6/382, 383, 384, 390, 391, 606, 607  
CPC ..... A47D 5/00; A47D 13/063  
See application file for complete search history.

(56) **References Cited**

**U.S. PATENT DOCUMENTS**

3,833,947	A *	9/1974	Sorensen	.....	A47D 9/005	5/94
4,717,214	A	1/1988	Moore et al.			
5,299,336	A	4/1994	Marteeny			
D351,756	S *	10/1994	Miller	.....	D6/333	
6,497,441	B1 *	12/2002	Mahmood	.....	B60N 3/102	224/400
D493,974	S *	8/2004	Chiu	.....	D6/390	
8,398,049	B2	3/2013	Lategan			
D831,995	S *	10/2018	Morton	.....	D6/391	
11,206,931	B2 *	12/2021	Longenecker	.....	A47D 7/01	
2002/0140246	A1 *	10/2002	Worrell	.....	B60N 2/26	296/37.8
2005/0241064	A1	11/2005	Lopes et al.			

(Continued)

**OTHER PUBLICATIONS**

“Close to You SE Changer & Organizer.” Found online Jul. 15, 2022 at www.chiccousa.com. Product reviewed Mar. 2, 2022. Retrieved

from URL: <https://www.chiccousa.com/shop-our-products/accessories/close-to-you-se-changer-and-organizer/07079571470070.html#product-reviews> (Year: 2022).\*

(Continued)

*Primary Examiner* — Mary Ann Calabrese

*Assistant Examiner* — Katelin G Kloberg

(74) *Attorney, Agent, or Firm* — Saxton & Stump, LLC

(57) **CLAIM**

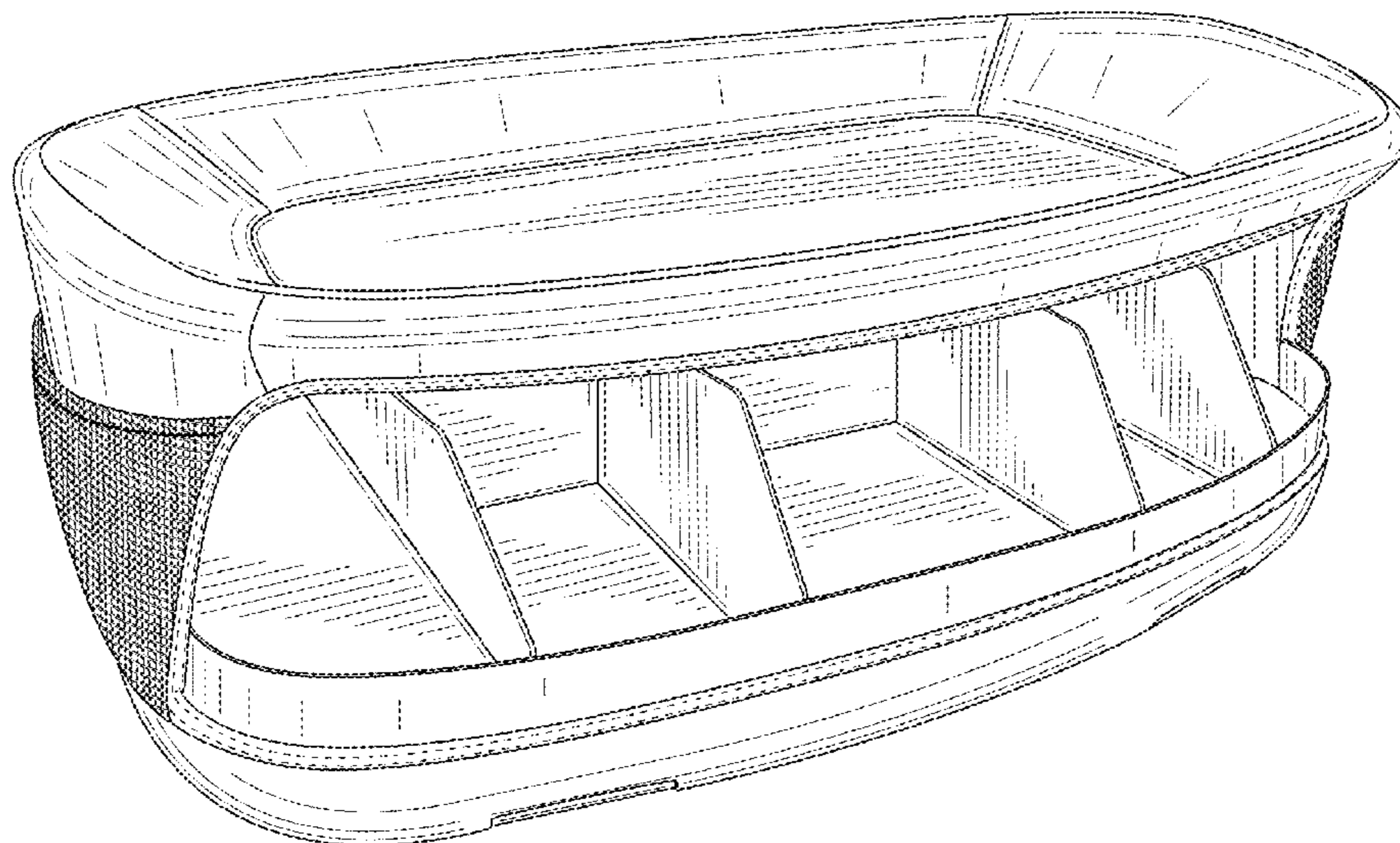
The ornamental design for an organizer for an infant changing table, as shown and described.

**DESCRIPTION**

FIG. 1 is a perspective view of an organizer for an infant changing table;  
FIG. 2 is a top view of the organizer for an infant changing table;  
FIG. 3 is a bottom view of the organizer for an infant changing table;  
FIG. 4 is a front elevation view of the organizer for an infant changing table;  
FIG. 5 is a rear elevation view of the organizer for an infant changing table;  
FIG. 6 is a right-side elevation view of the organizer for an infant changing table;  
FIG. 7 is a left-side elevation view of the organizer for an infant changing table; and,  
FIG. 8 is a front perspective view of the organizer for an infant changing table as positioned on the changing table support structure.

The evenly spaced broken lines used in FIGS. 1, and 3 through 8 depict portions of the article that do not form part of the claimed design. The double-dashed broken lines used in FIGS. 3 and 8 depict environmental subject matter that forms no part of the claimed design.

**1 Claim, 8 Drawing Sheets**



(56)

**References Cited**

U.S. PATENT DOCUMENTS

2014/0310870 A1 10/2014 Czach et al.  
2019/0254443 A1\* 8/2019 Longenecker ..... A47D 7/01

OTHER PUBLICATIONS

“Chicco Changer Parent Organizer for Close toYou SE Owner’s Manual.” Found online Jul. 15, 2022 at [www.manuals.plus](http://www.manuals.plus). Page dated Apr. 12, 2022. Retrieved from URL: <https://manuals.plus/chicco/changer-parent-organizer-for-close-toyou-se-manual#axzz7ZATW5TZV> (Year: 2022).\*

“Kininfant Baby Changing Table.” Found online Jul. 15, 2022 at [www.amazon.com](http://www.amazon.com). Customer question answered Nov. 4, 2019. Retrieved from URL: <https://www.amazon.com/Kininfant-Changing-Folding-Station-Organizer/dp/B07X4W887X> (Year: 2019).\*

“Badger Basket Contempo Convertible Changing Table.” Found online Jul. 15, 2022 at [www.amazon.com](http://www.amazon.com). Product reviewed Aug. 5, 2020. Retrieved from URL: <https://www.amazon.com/Badger-Basket-Contempo-Convertible-Changing-Infants/dp/B084SV3BRM> (Year: 2020).\*

\* cited by examiner

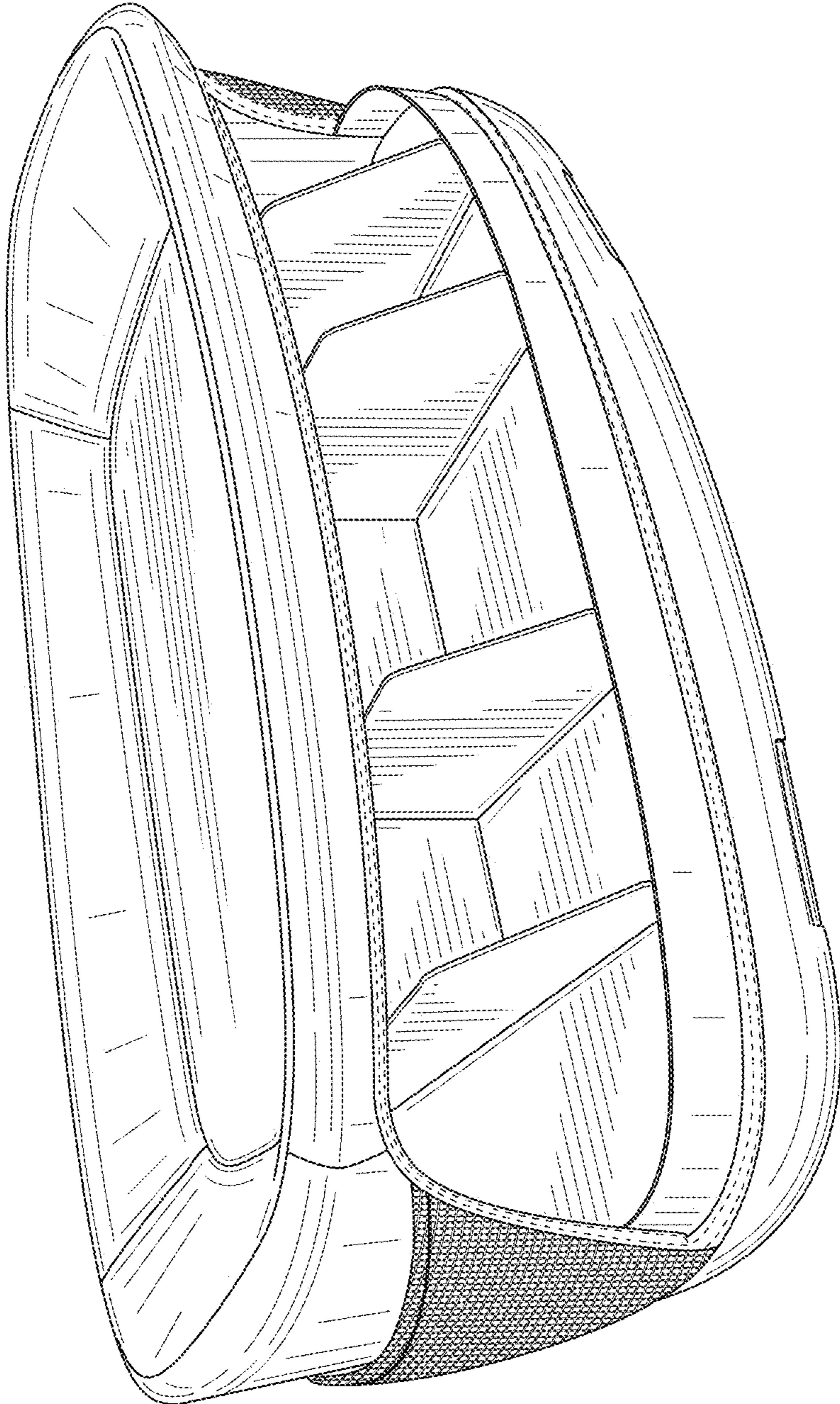


FIG. 1

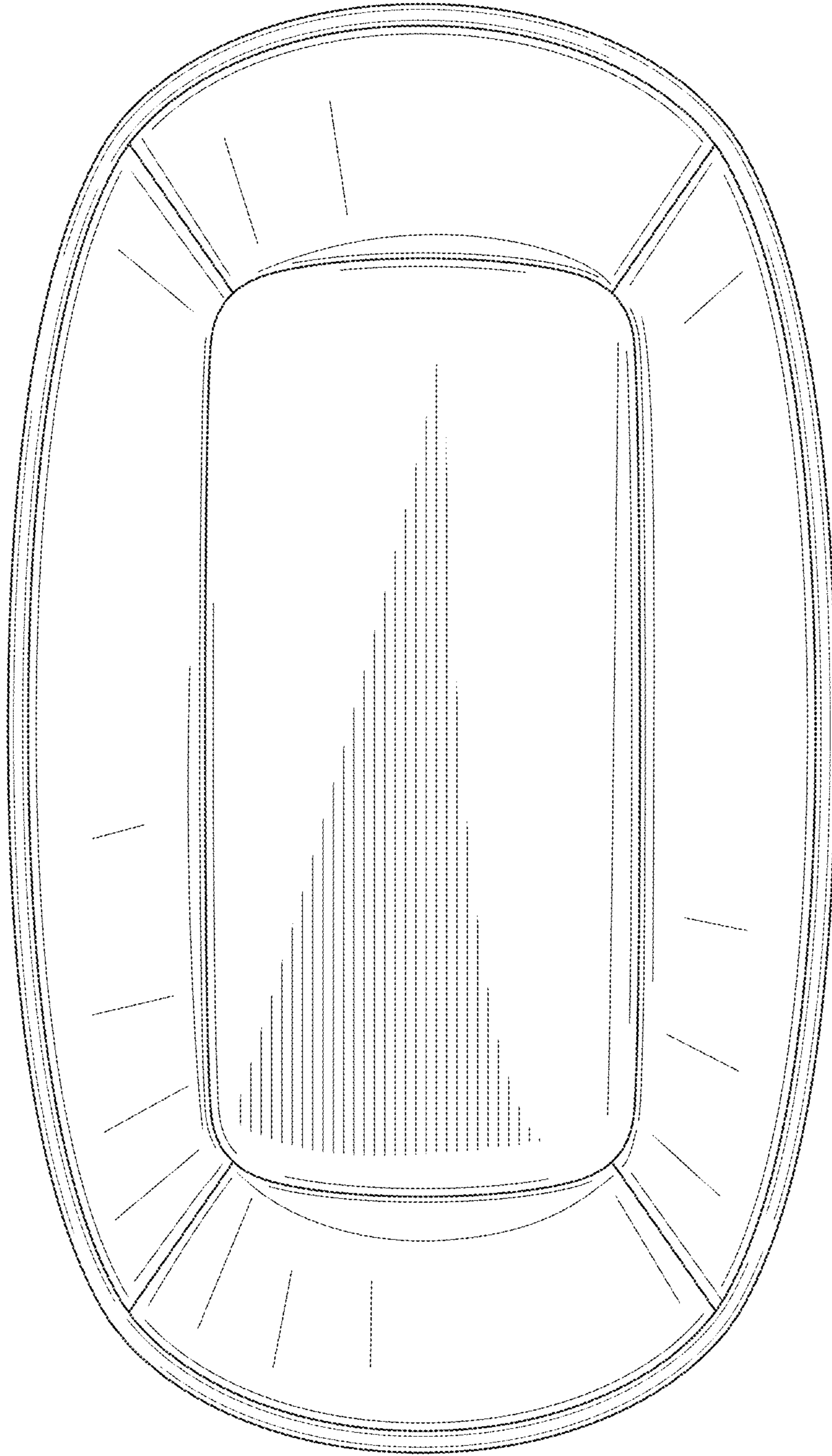


FIG. 2

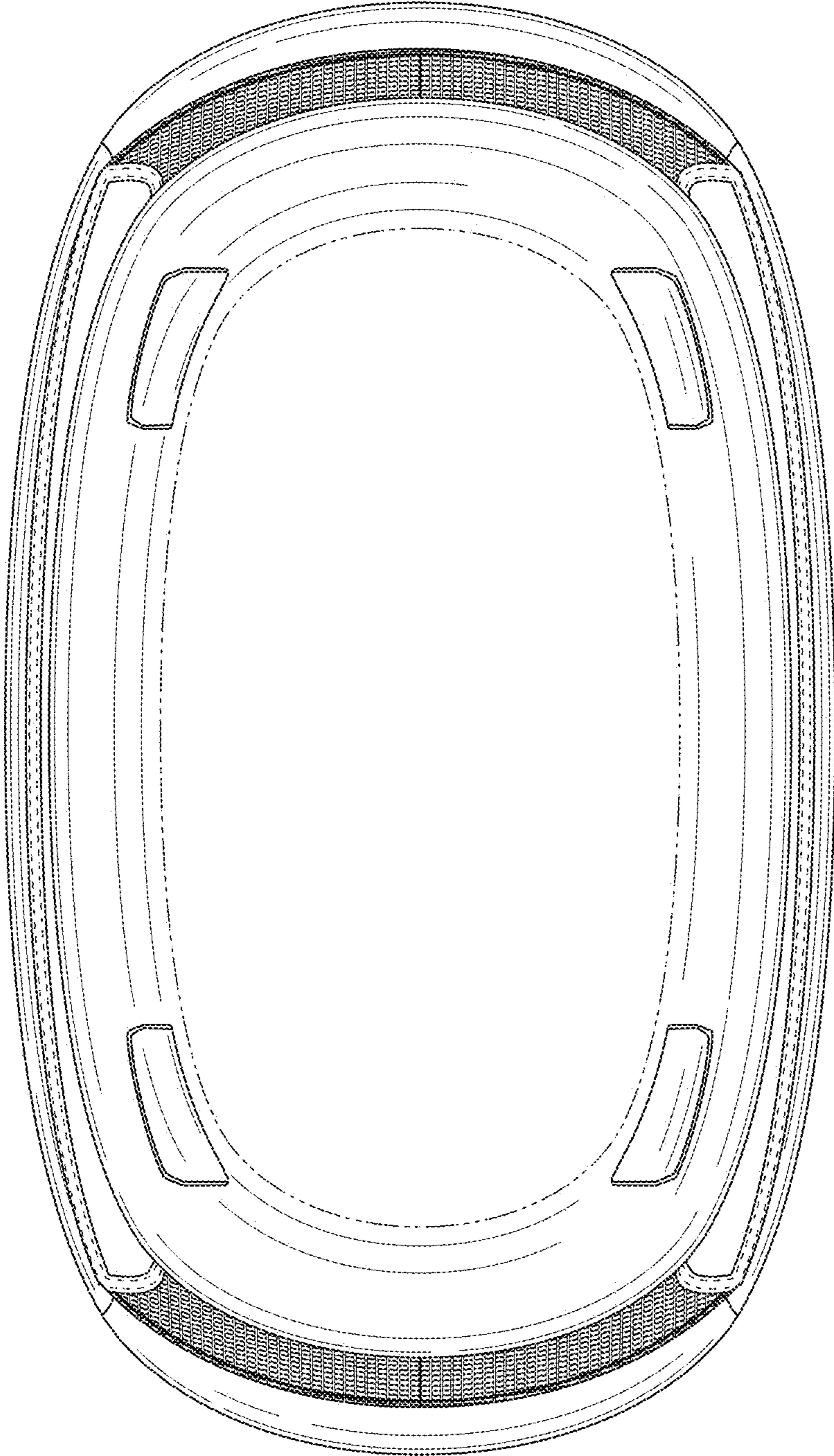


FIG. 3

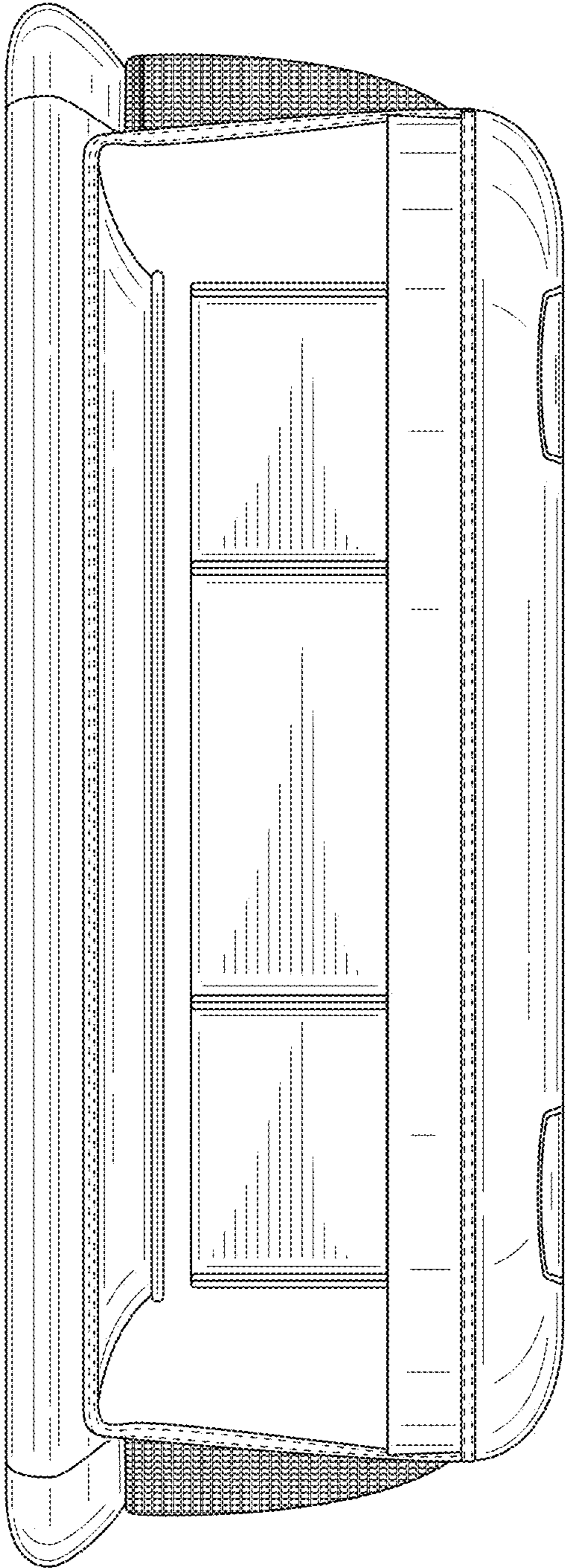


FIG. 4

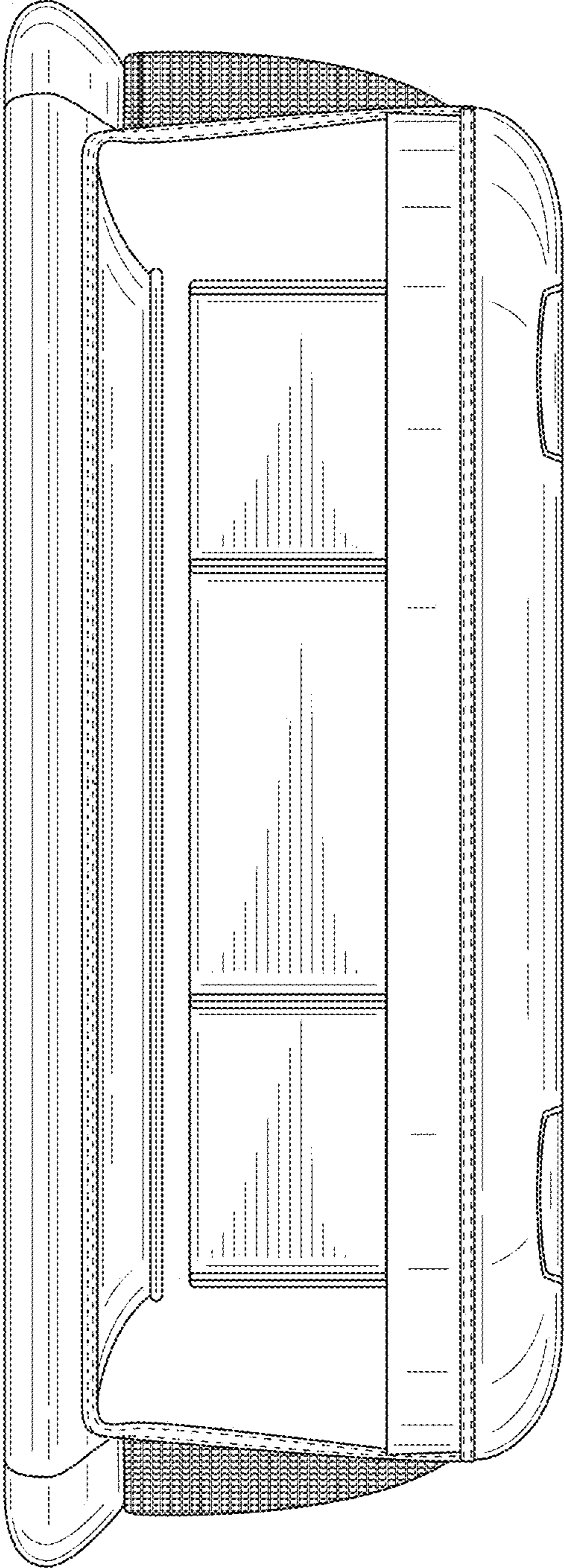


FIG. 5

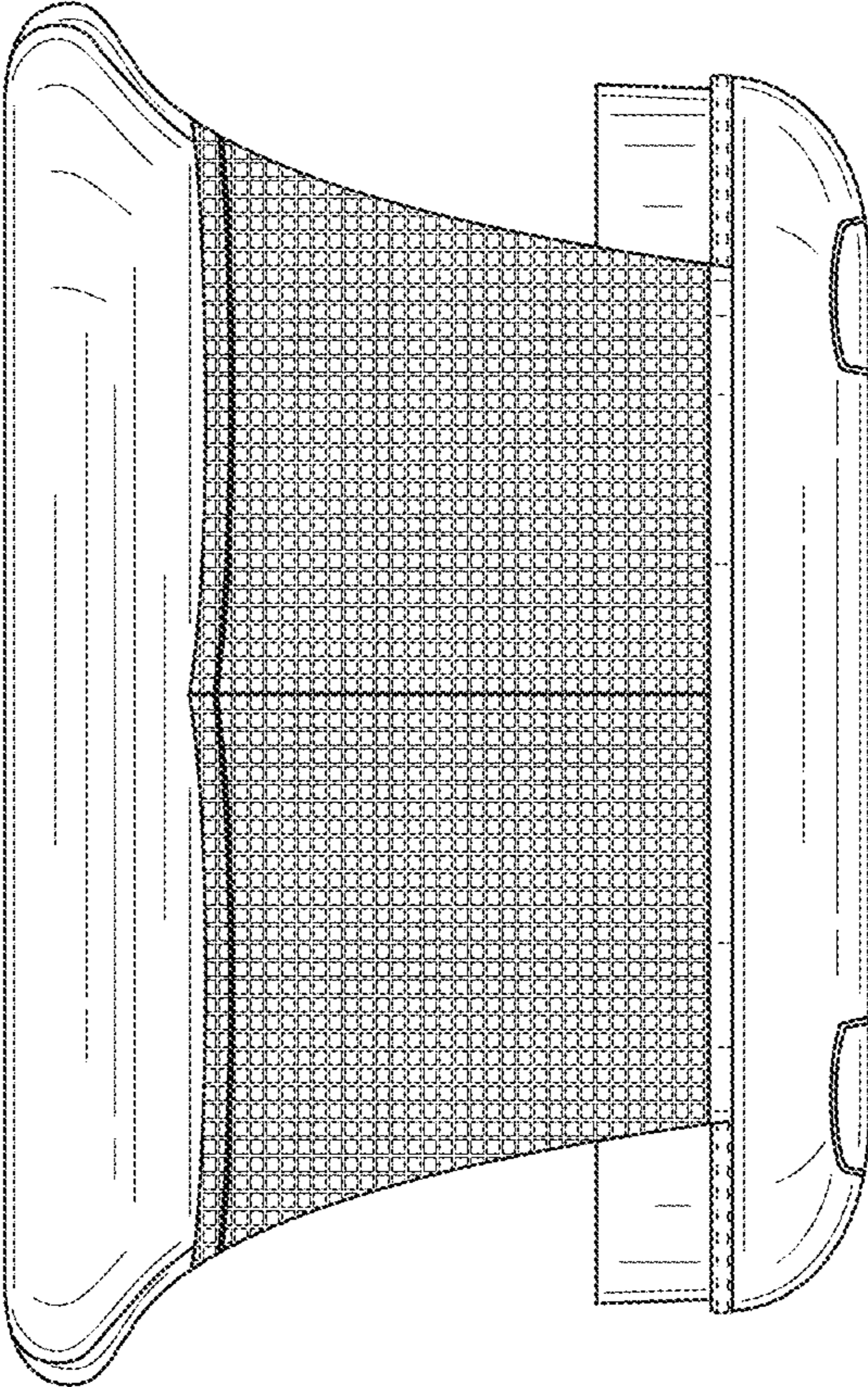


FIG. 6



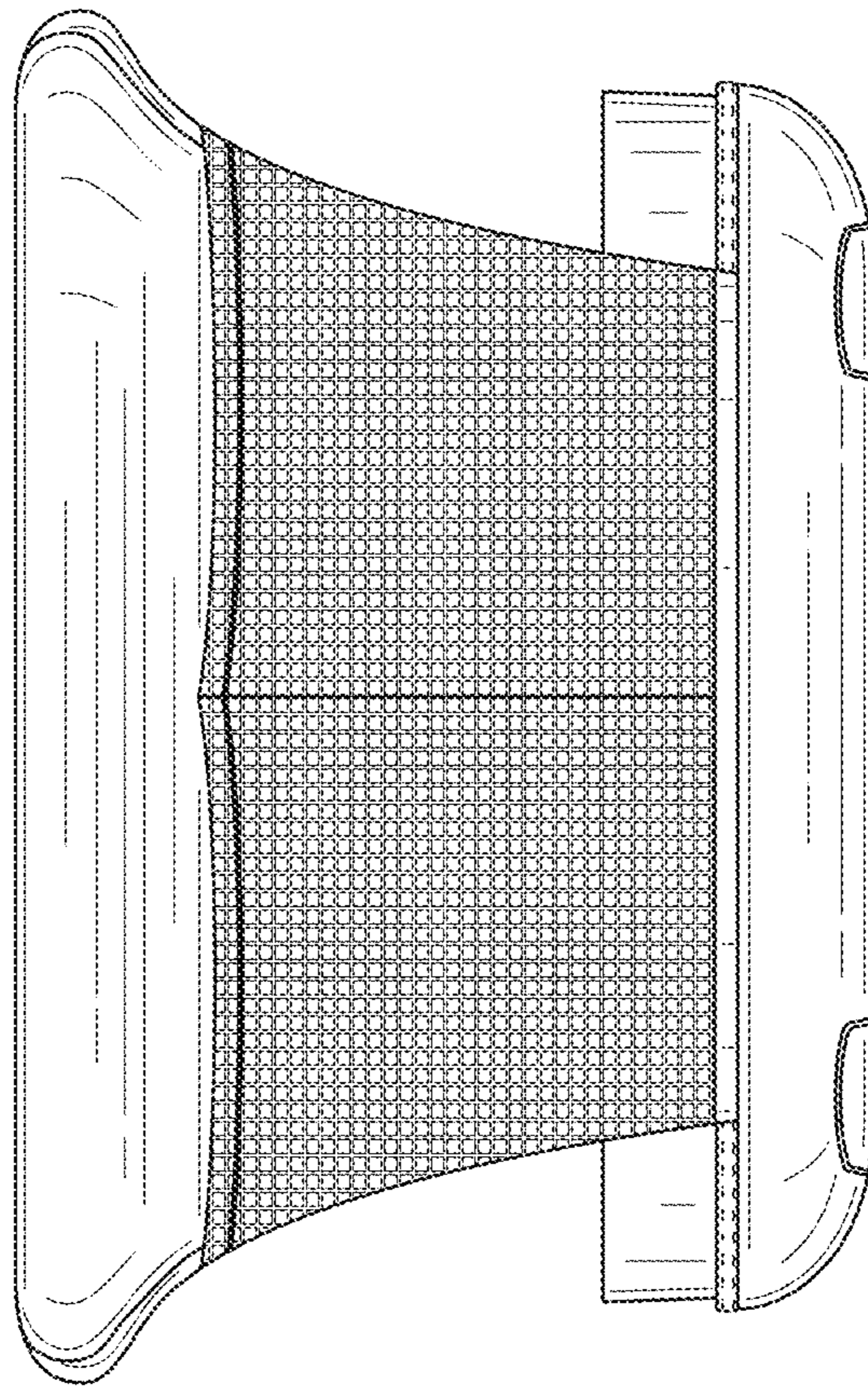


FIG. 7

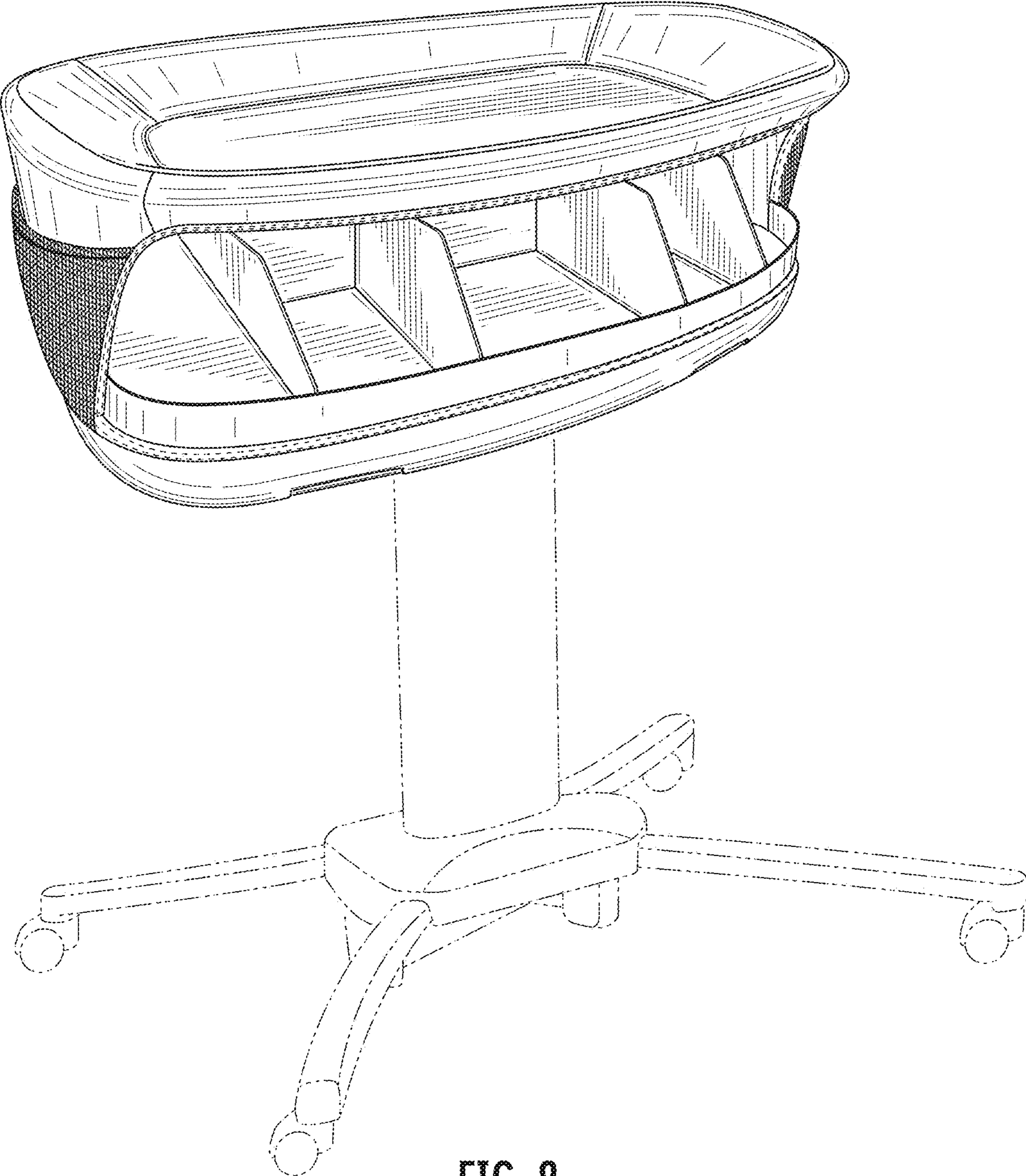


FIG. 8