



US00D976607S

(12) **United States Design Patent** (10) **Patent No.:** **US D976,607 S**
Wang (45) **Date of Patent:** **** Jan. 31, 2023**

- (54) **SLEEPER SECTIONAL SOFA**
- (71) Applicant: **Mingjun Wang**, Shenzhen (CN)
- (72) Inventor: **Mingjun Wang**, Shenzhen (CN)
- (**) Term: **15 Years**
- (21) Appl. No.: **29/794,948**
- (22) Filed: **Jun. 16, 2021**
- (51) **LOC (14) Cl.** **06-01**
- (52) **U.S. Cl.**
USPC **D6/381**
- (58) **Field of Classification Search**
USPC D6/377, 378, 381, 335; D12/345
CPC A47C 1/026; A47C 1/032; A47C 1/143;
A47C 1/146; A47C 4/02; A47C 4/12;
A47C 4/46; A47C 5/06; A47C 5/10;
A47C 5/125; A47C 7/40; A47C 15/006;
A47C 17/162; A47C 17/1753; A47C
20/04; A47C 20/08; A47C 23/24; A47C
31/11; A47C 15/002; A47C 17/00; Y10S
297/90

See application file for complete search history.

(56) **References Cited**

U.S. PATENT DOCUMENTS

D494,376 S *	8/2004	Natuzzi	D6/381
6,826,789 B1 *	12/2004	Choi	A47C 15/002 5/421
D514,840 S *	2/2006	Ghetti	D6/381
D677,493 S *	3/2013	Masson	D6/381
D717,063 S	11/2014	Zhang		
D719,757 S *	12/2014	Sonmez	D6/381
D720,943 S	1/2015	Pathiratne		
D874,837 S	2/2020	Andersen		
D893,215 S	8/2020	Qiu		
D910,331 S	2/2021	Cooper et al.		
D944,021 S *	2/2022	Tian	D6/381
D944,022 S *	2/2022	Tian	D6/381

OTHER PUBLICATIONS

"Merax 80.7" Reversible Sleeper Sectional Sofa . . . ,” Mar. 31, 2021, amazon.com, site visited Apr. 12, 2022 <https://www.amazon.com/Merax-Reversible-Sectional-Cup-Holders-Furniture/dp/B08QYN88RW/ref=cm_cr_arp_d_product_top?ie=UTF8> (Year: 2021).*

com/Merax-Reversible-Sectional-Cup-Holders-Furniture/dp/B08QYN88RW/ref=cm_cr_arp_d_product_top?ie=UTF8> (Year: 2021).*

* cited by examiner

Primary Examiner — Kevin K Rudzinski
Assistant Examiner — Paul D Bohannon
(74) *Attorney, Agent, or Firm* — Rumit Ranjit Kanakia

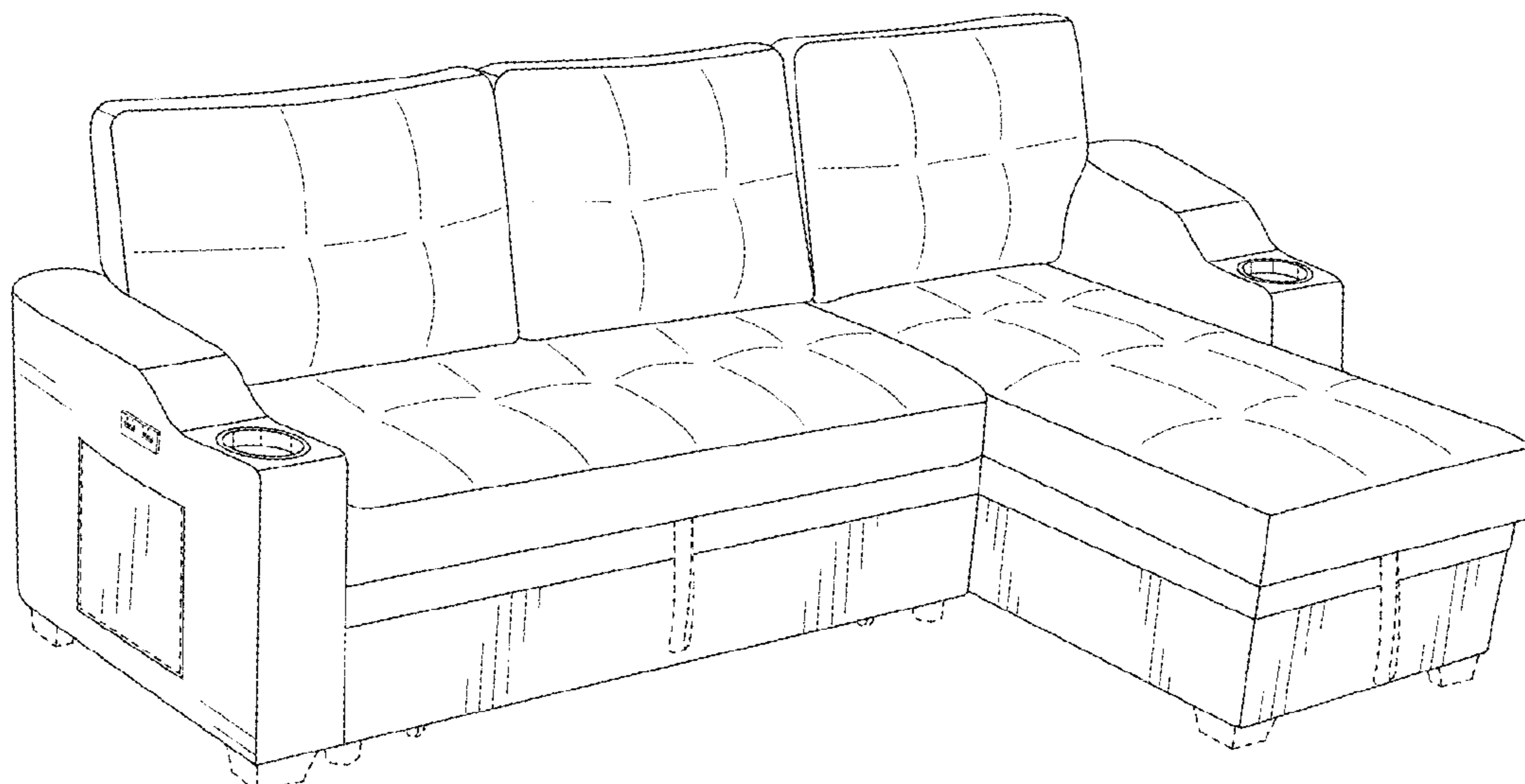
(57) **CLAIM**

The ornamental design for a sleeper sectional sofa, as shown and described.

DESCRIPTION

FIG. 1 is a perspective view of a first embodiment of a sleeper sectional sofa, showing my new design in a first position of use;
 FIG. 2 is a front view thereof;
 FIG. 3 is a back view thereof;
 FIG. 4 is a left-side view thereof;
 FIG. 5 is a right-side view thereof;
 FIG. 6 is a top perspective view thereof;
 FIG. 7 is a bottom view thereof;
 FIG. 8 is a perspective view of a sleeper sectional sofa of FIG. 1, shown in a second position of use;
 FIG. 9 is a perspective view of the sleeper sectional sofa of FIG. 1, shown in a third position of use;
 FIG. 10 is a perspective view of the sleeper sectional sofa of FIG. 1, shown in a fourth position of use;
 FIG. 11 is a perspective view of a second embodiment of the sleeper sectional sofa; and,
 FIG. 12 is a perspective view of a third embodiment of the sleeper sectional sofa.
 The broken lines in the drawings depict portions of the sleeper sectional sofa that form no part of the claimed design.

1 Claim, 12 Drawing Sheets



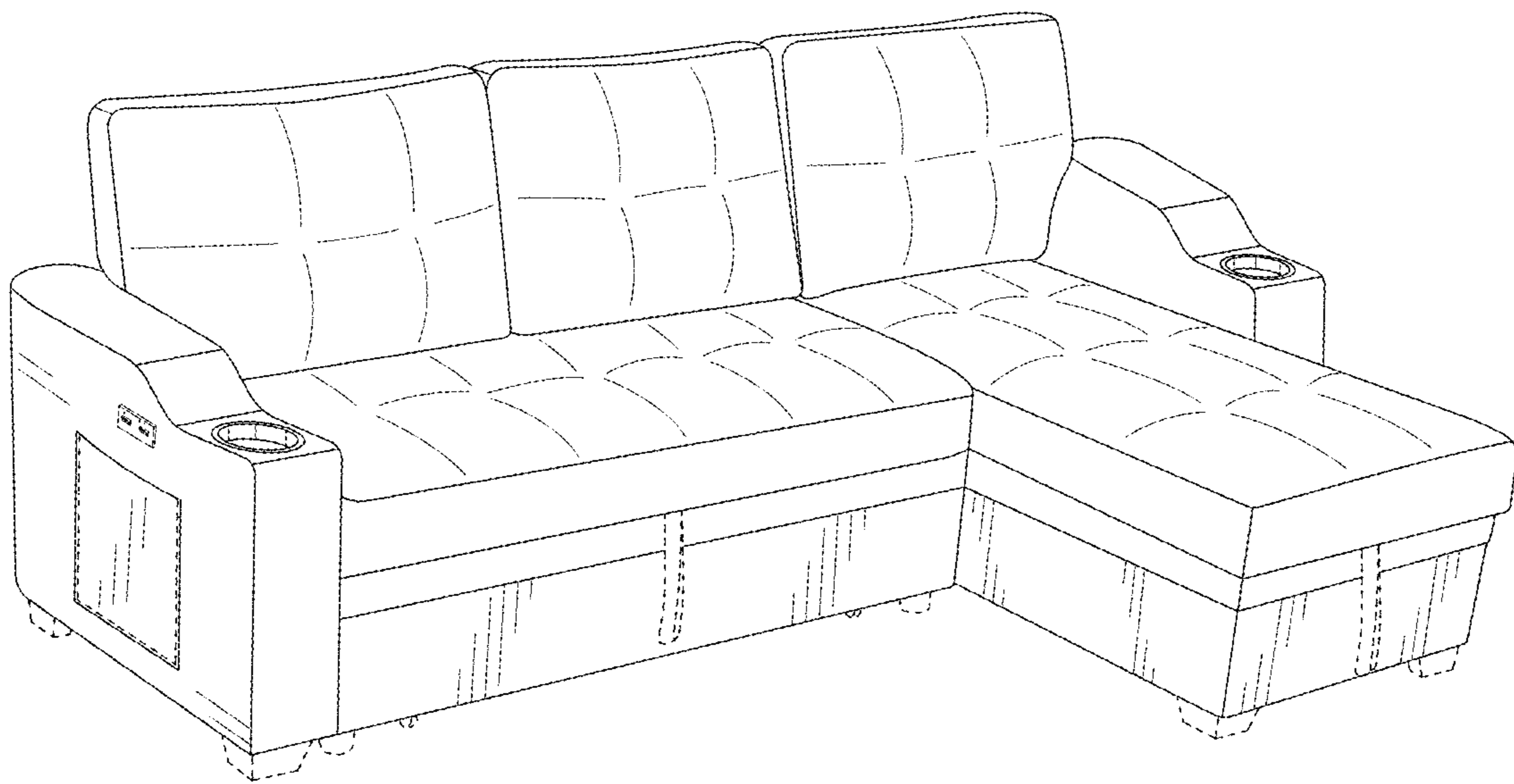


FIG. 1

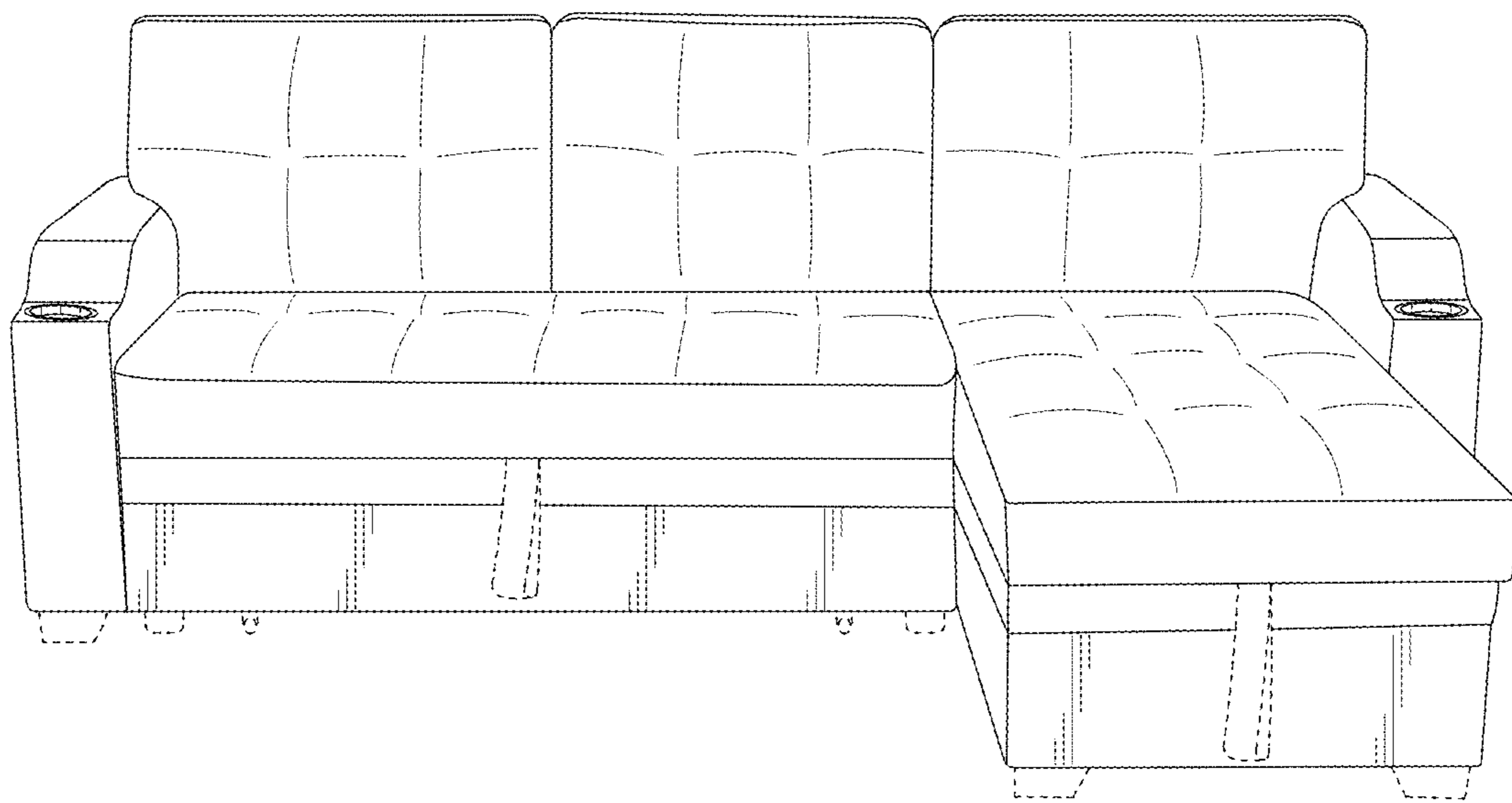


FIG. 2

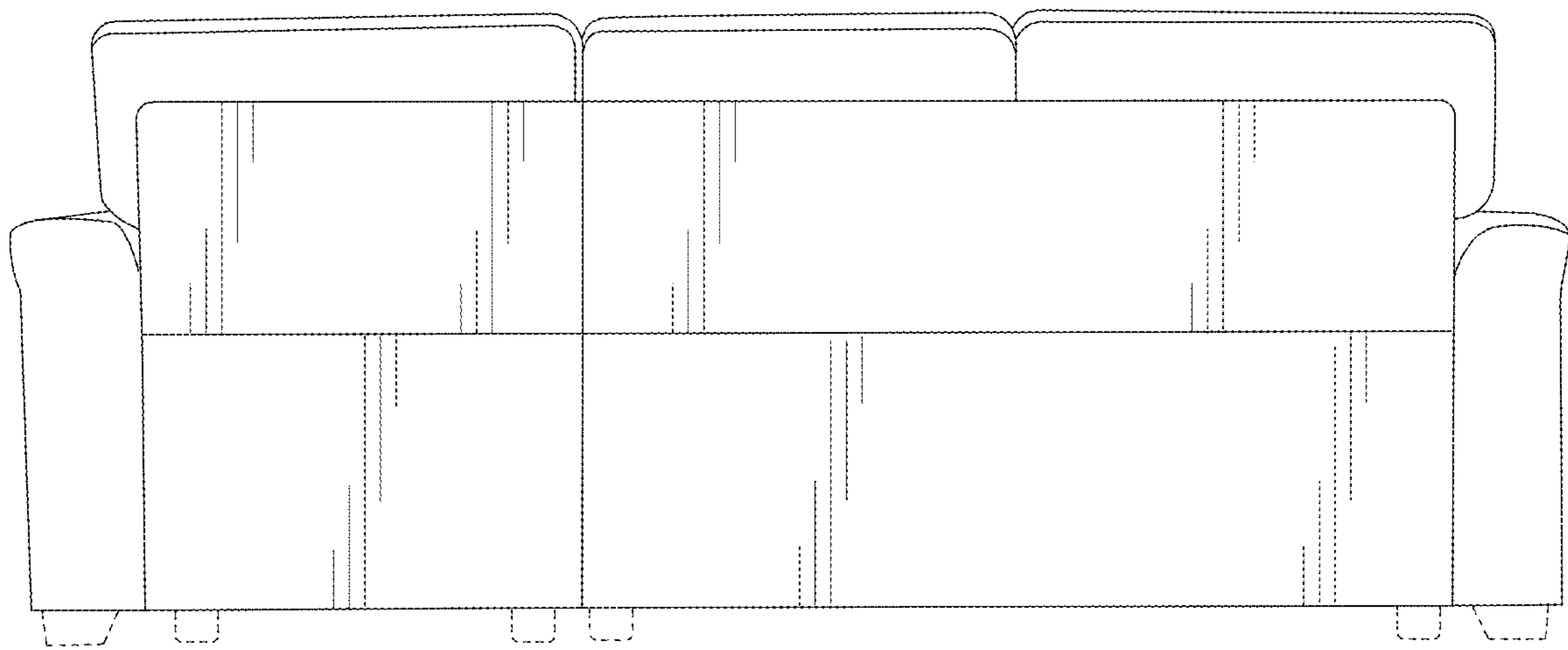


FIG. 3

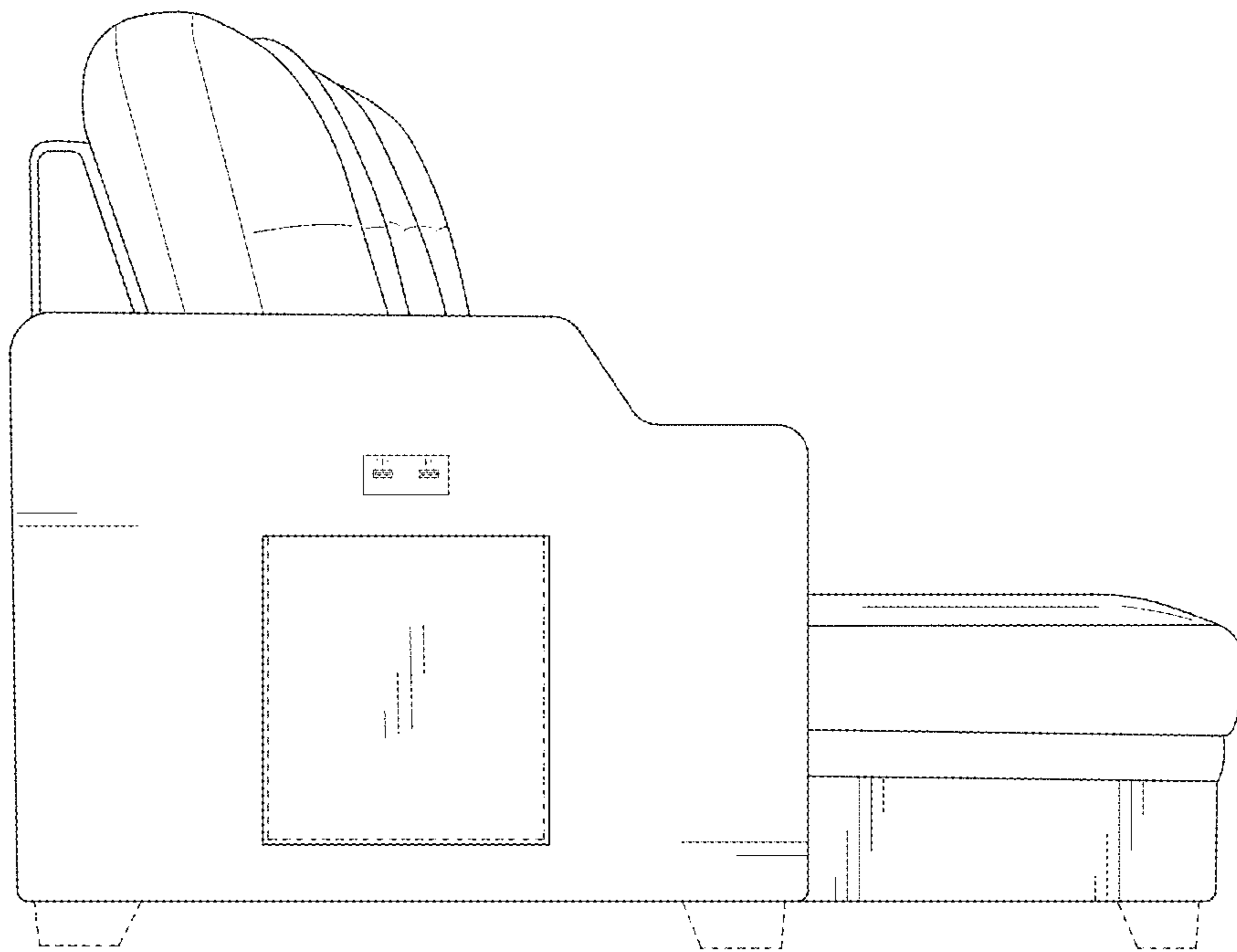


FIG. 4

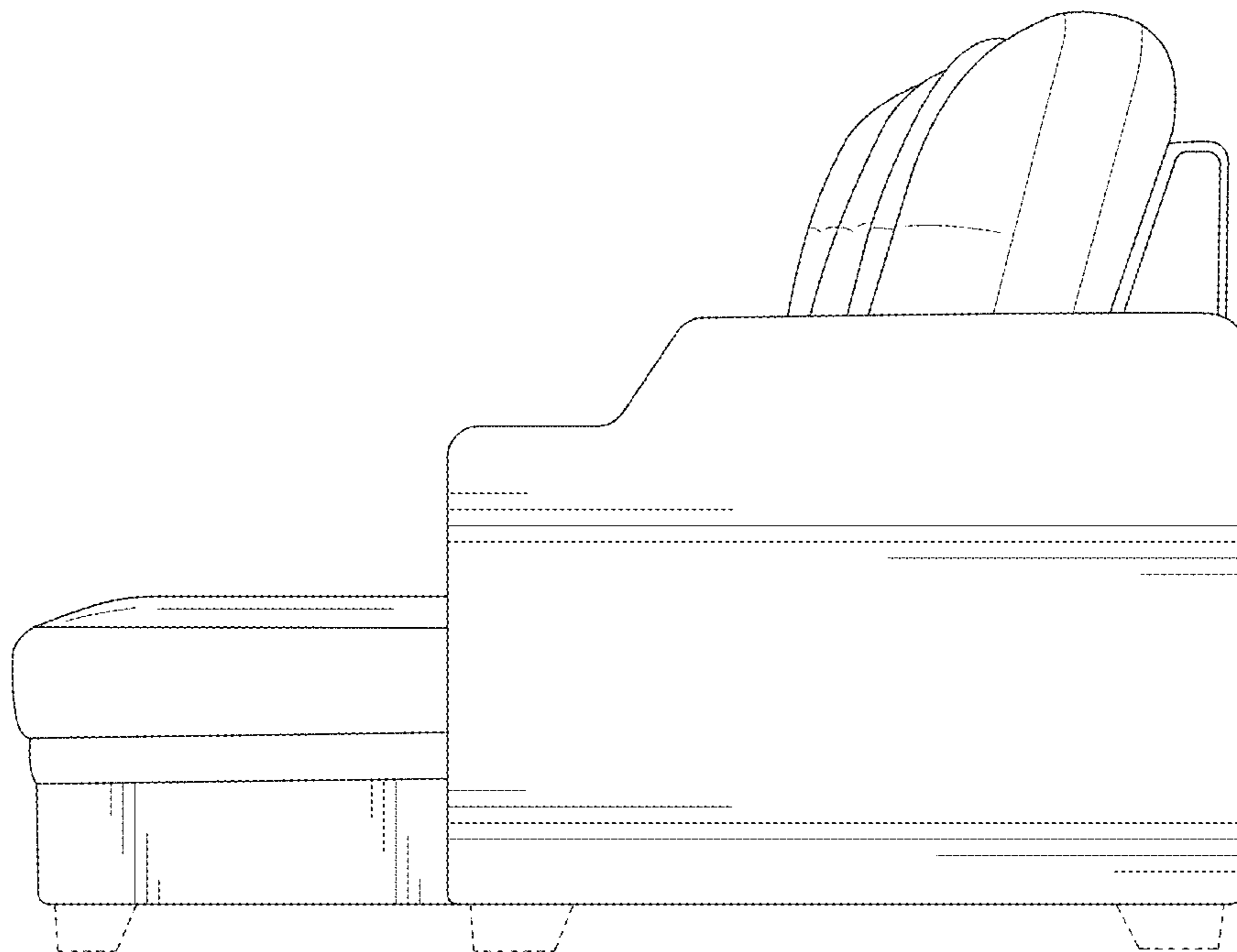


FIG. 5

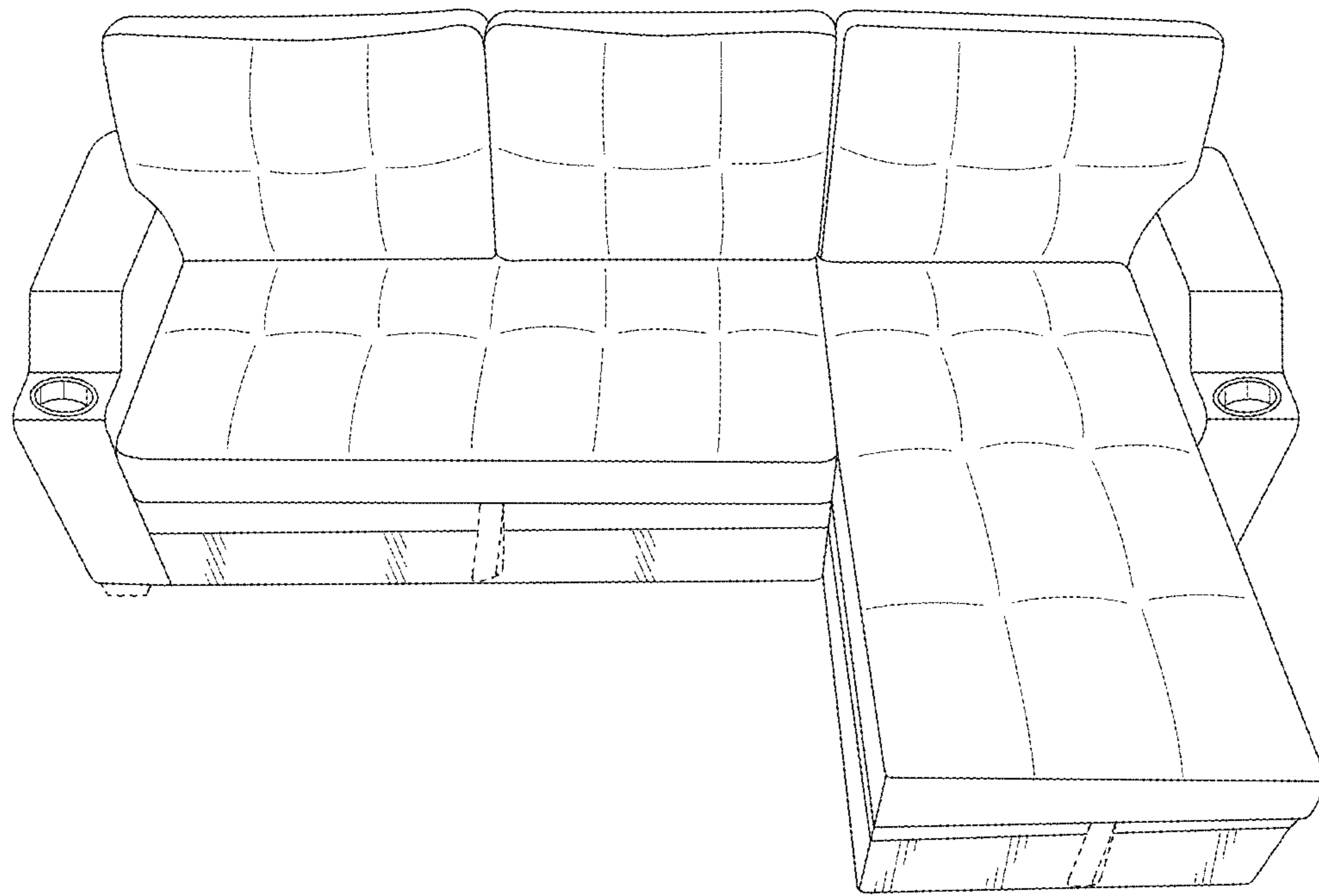


FIG. 6

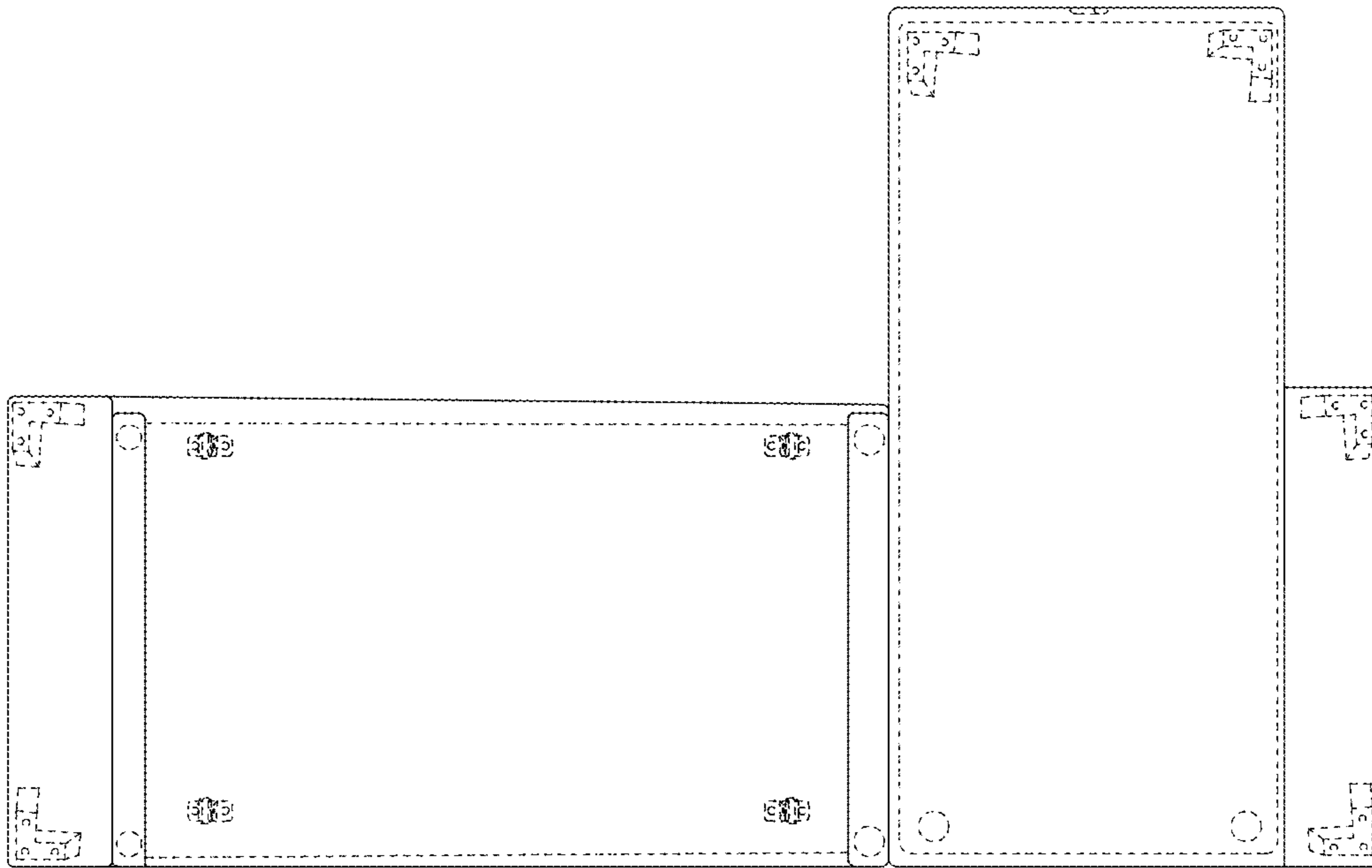


FIG. 7

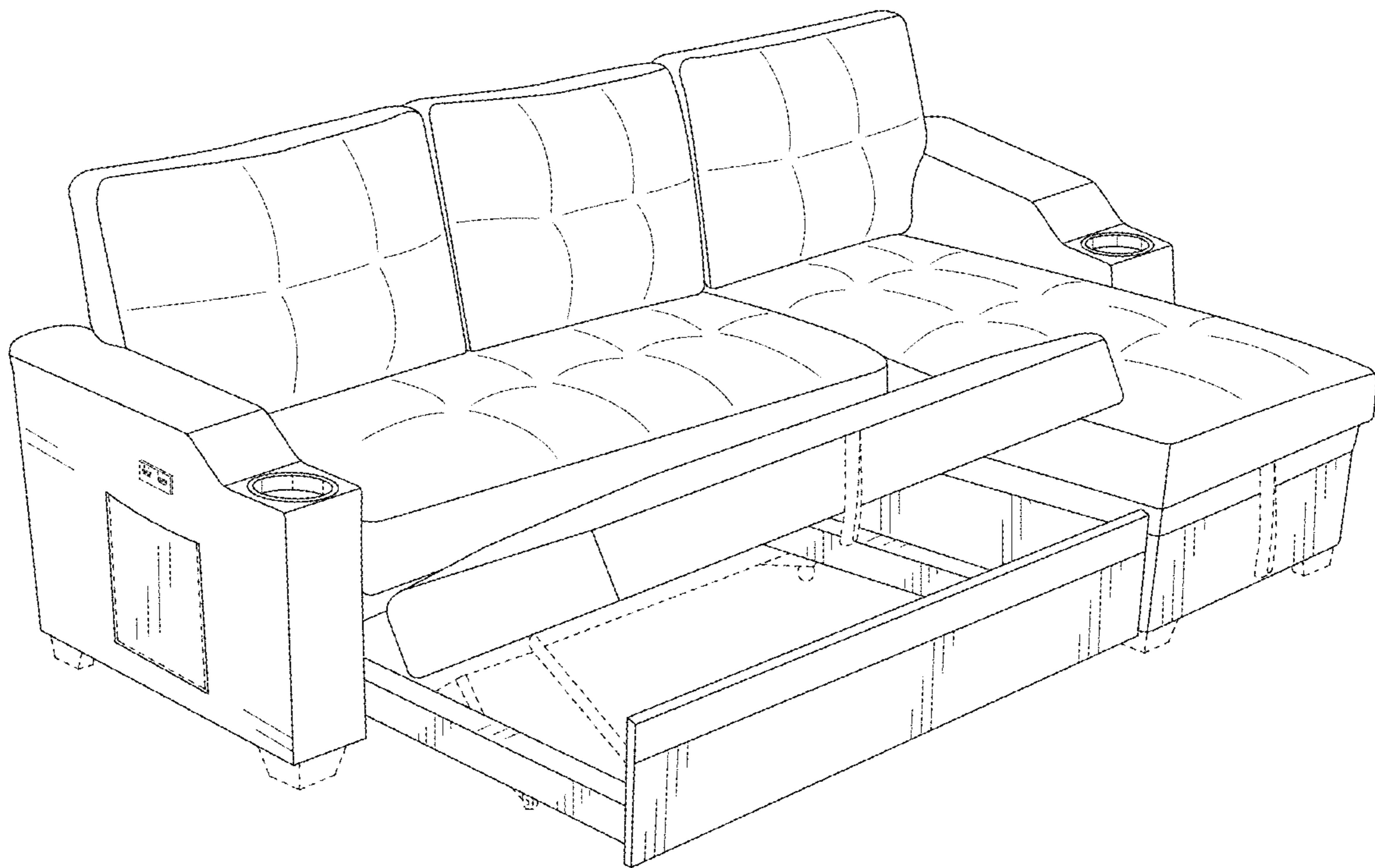


FIG. 8

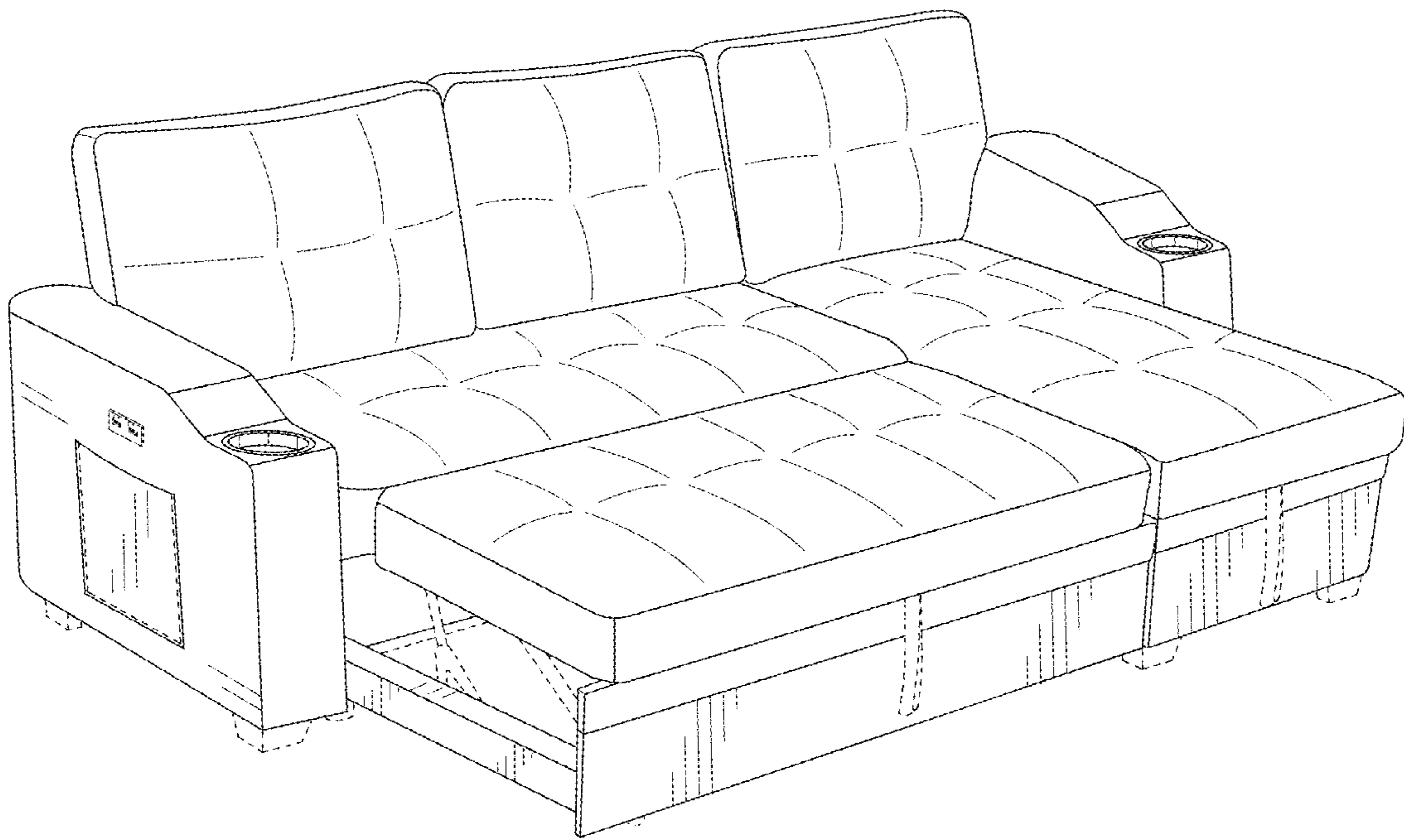


FIG. 9

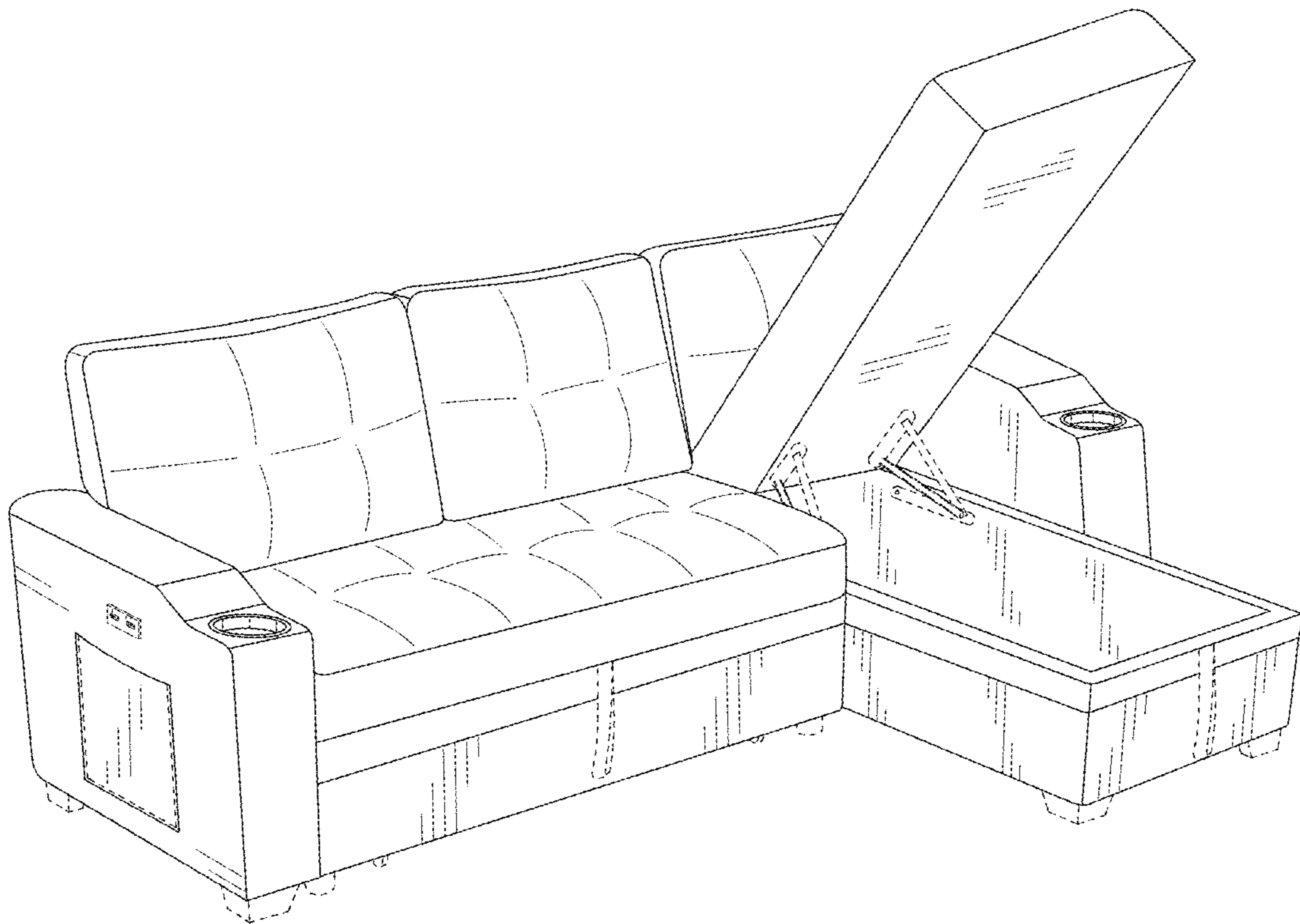


FIG. 10

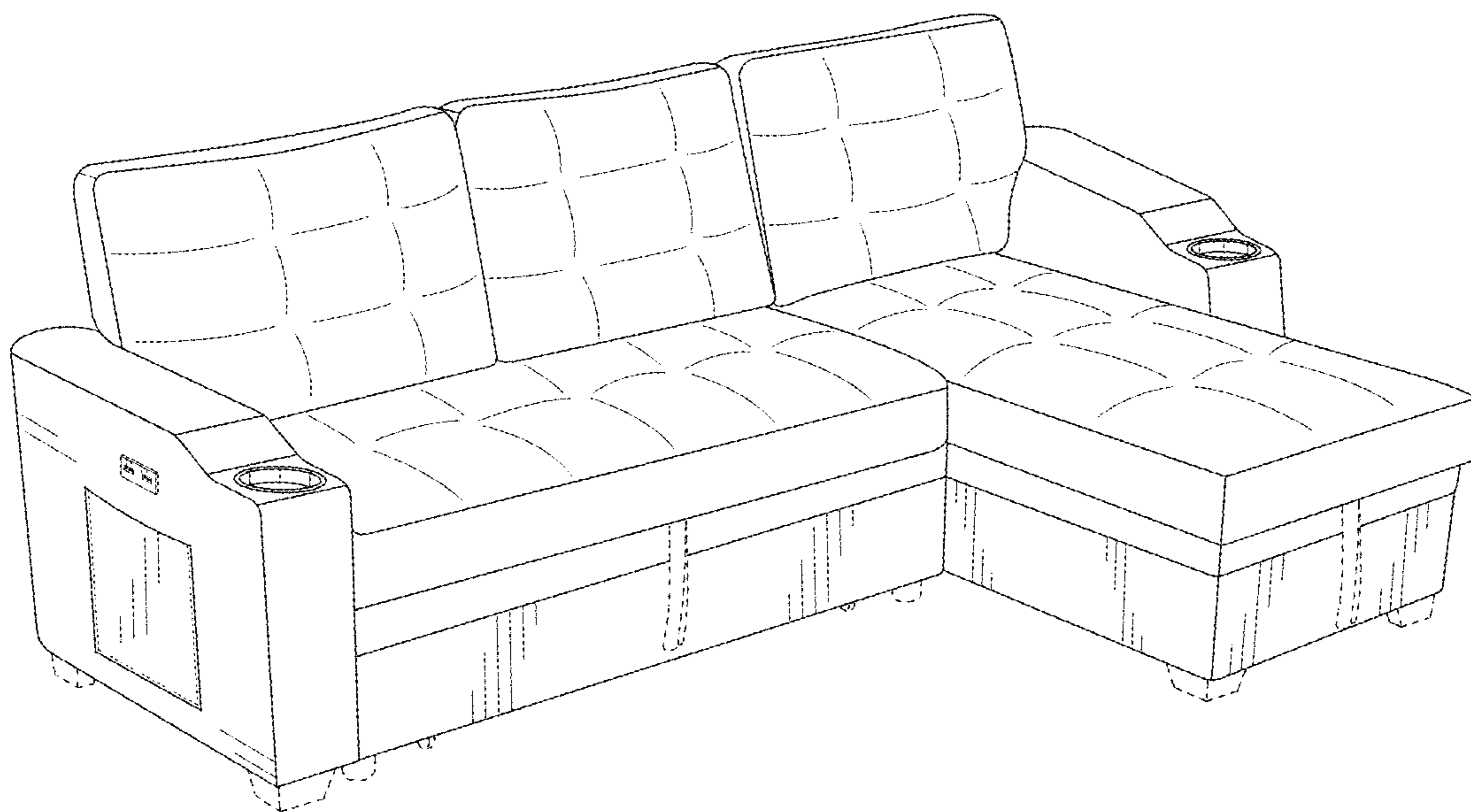


FIG. 11

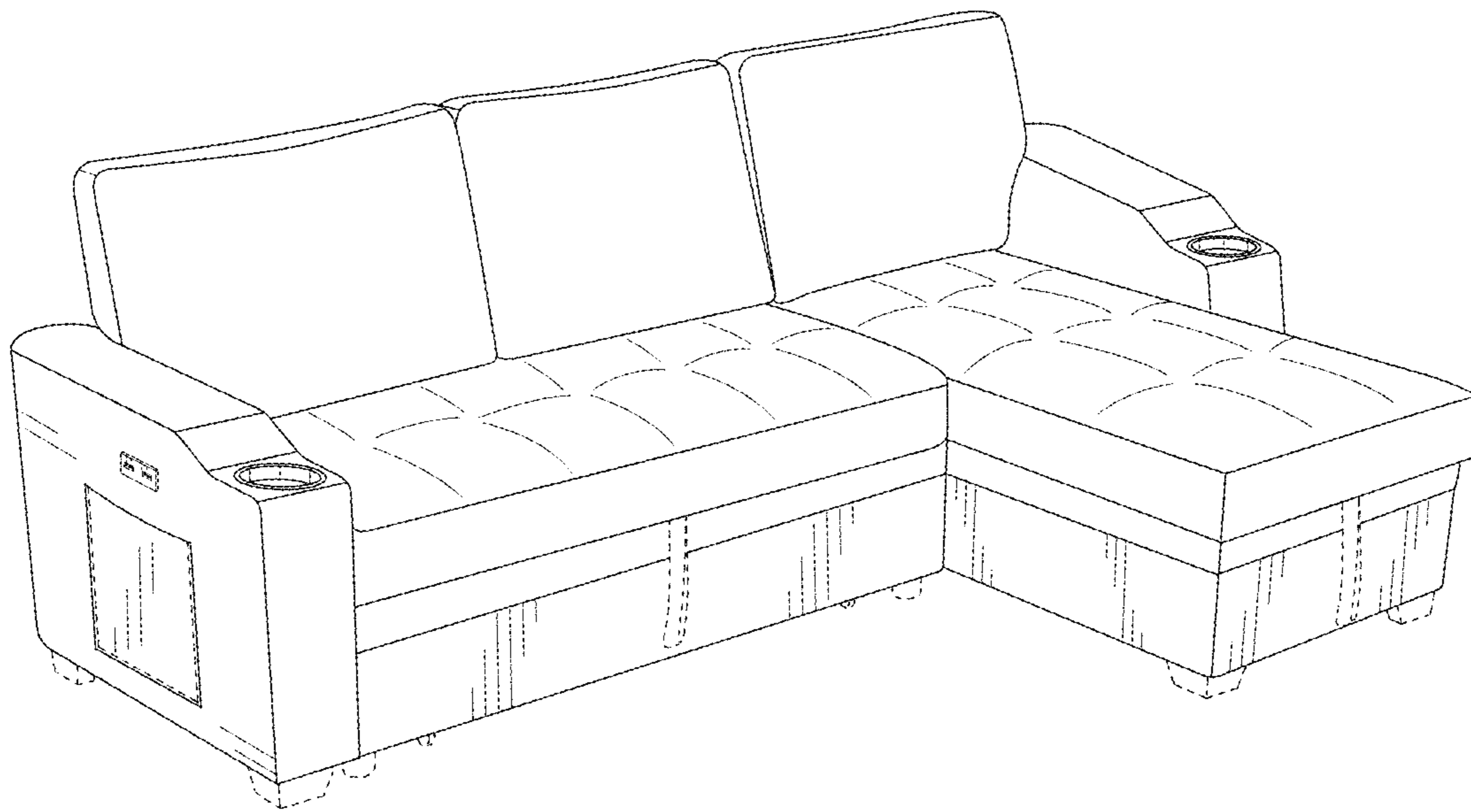


FIG. 12