



US00D976603S

(12) **United States Design Patent**
Zhang

(10) **Patent No.:** **US D976,603 S**
(45) **Date of Patent:** **** Jan. 31, 2023**

(54) **ACCENT CHAIR**
(71) Applicant: **Jiaxing Hifine International Enterprise Co., Ltd., Jiaxing (CN)**
(72) Inventor: **Hui Zhang, Jiaxing (CN)**
(**) Term: **15 Years**
(21) Appl. No.: **29/850,716**
(22) Filed: **Aug. 23, 2022**
(51) **LOC (14) Cl.** **06-01**
(52) **U.S. Cl.**
USPC **D6/369**
(58) **Field of Classification Search**
USPC D6/369, 375, 377, 379, 380, 716.4, 332, D6/334, 335, 364, 358, 363, 371, 643, D6/643.1, 644; D12/345; D25/138
CPC A47B 91/04; A47C 1/143; A47C 3/00; A47C 3/023; A47C 3/12; A47C 4/02; A47C 5/12; A47C 7/002; A47C 7/46; A47C 7/66; A47C 9/005; A47C 9/025; Y10S 297/02
See application file for complete search history.

D695,038 S * 12/2013 Metcalf D6/381
D698,191 S * 1/2014 Kubryk D6/366
D699,451 S * 2/2014 Beucler D6/334
D737,070 S * 8/2015 Sonmez D6/381
D818,282 S 5/2018 Li
D859,014 S * 9/2019 Lopez D6/334
D862,095 S * 10/2019 Young D6/334
D874,167 S 2/2020 Tian
D899,795 S * 10/2020 Hale D6/334
D907,385 S * 1/2021 Li D6/366
D932,201 S 10/2021 Xiao
D932,789 S * 10/2021 Lu D6/366
D936,378 S * 11/2021 Su D6/334
D956,442 S * 7/2022 Tingler D6/374

* cited by examiner

Primary Examiner — Kevin K Rudzinski
Assistant Examiner — Paul D Bohannon
(74) *Attorney, Agent, or Firm* — Rumit Ranjit Kanakia

(57) **CLAIM**

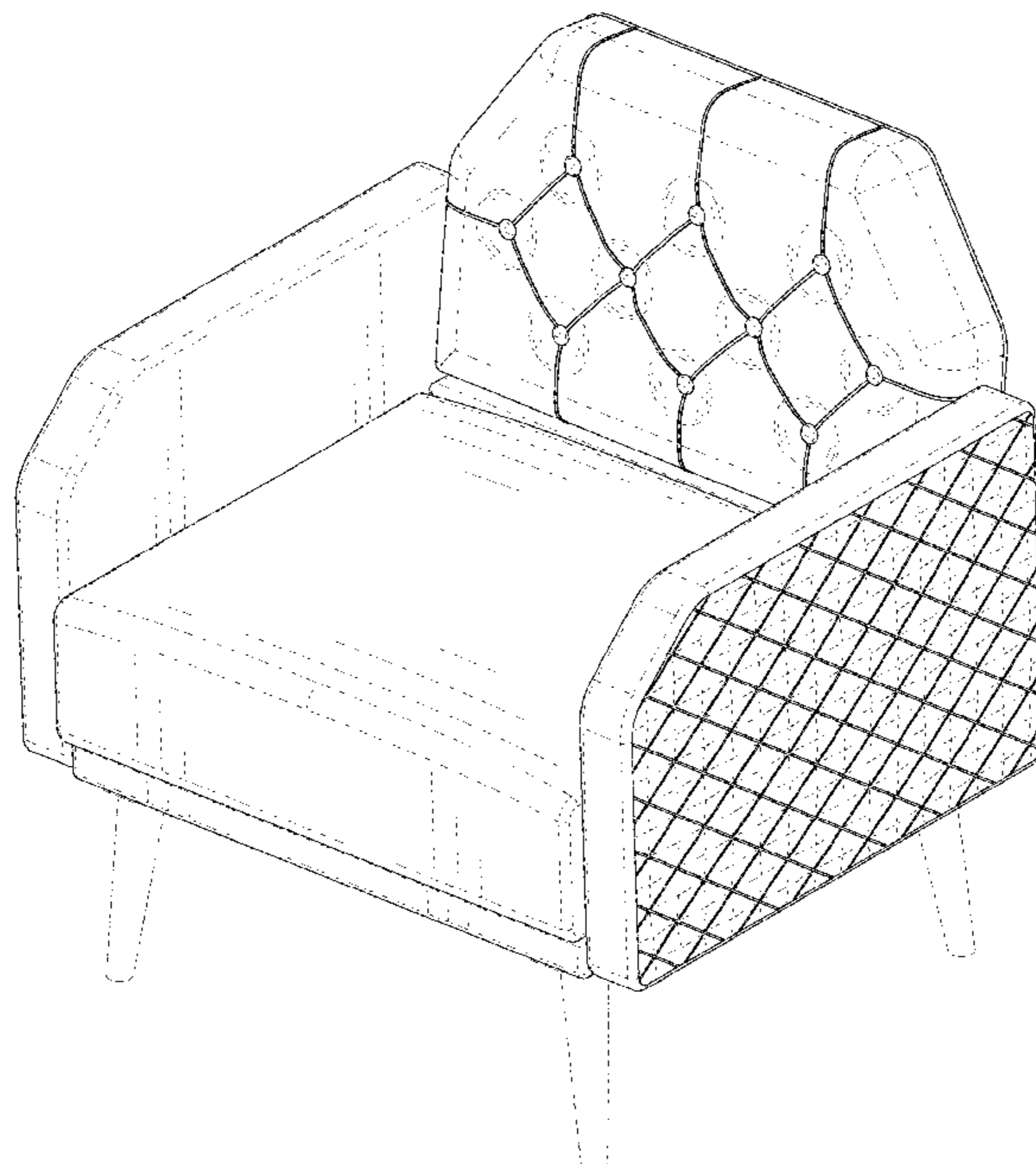
The ornamental design for a accent chair, as shown and described.

DESCRIPTION

FIG. 1 is a perspective view of a accent chair, showing my new design;
FIG. 2 is another perspective view thereof;
FIG. 3 is a front elevational view thereof;
FIG. 4 is a rear elevational view thereof;
FIG. 5 is a left side view thereof, the right side view being a mirror image of FIG. 5;
FIG. 6 is a top plan view thereof; and,
FIG. 7 is a bottom plan view thereof.
The broken lines in the figures are for the purposes of illustrating portions of the accent chair, which form no part of the claimed design.

(56) **References Cited**
U.S. PATENT DOCUMENTS
D174,828 S * 5/1955 Michlin D6/377
D234,171 S * 1/1975 Long D6/334
D533,365 S * 12/2006 Martin D6/334
D575,072 S 8/2008 Lowsky
D575,961 S 9/2008 Kreiss
D576,410 S 9/2008 Doyle
D576,418 S 9/2008 Camp, Jr.
D576,805 S 9/2008 Natuzzi
D577,504 S 9/2008 Garcia
D578,317 S 10/2008 Natuzzi
D659,412 S * 5/2012 Arko D6/334

1 Claim, 7 Drawing Sheets



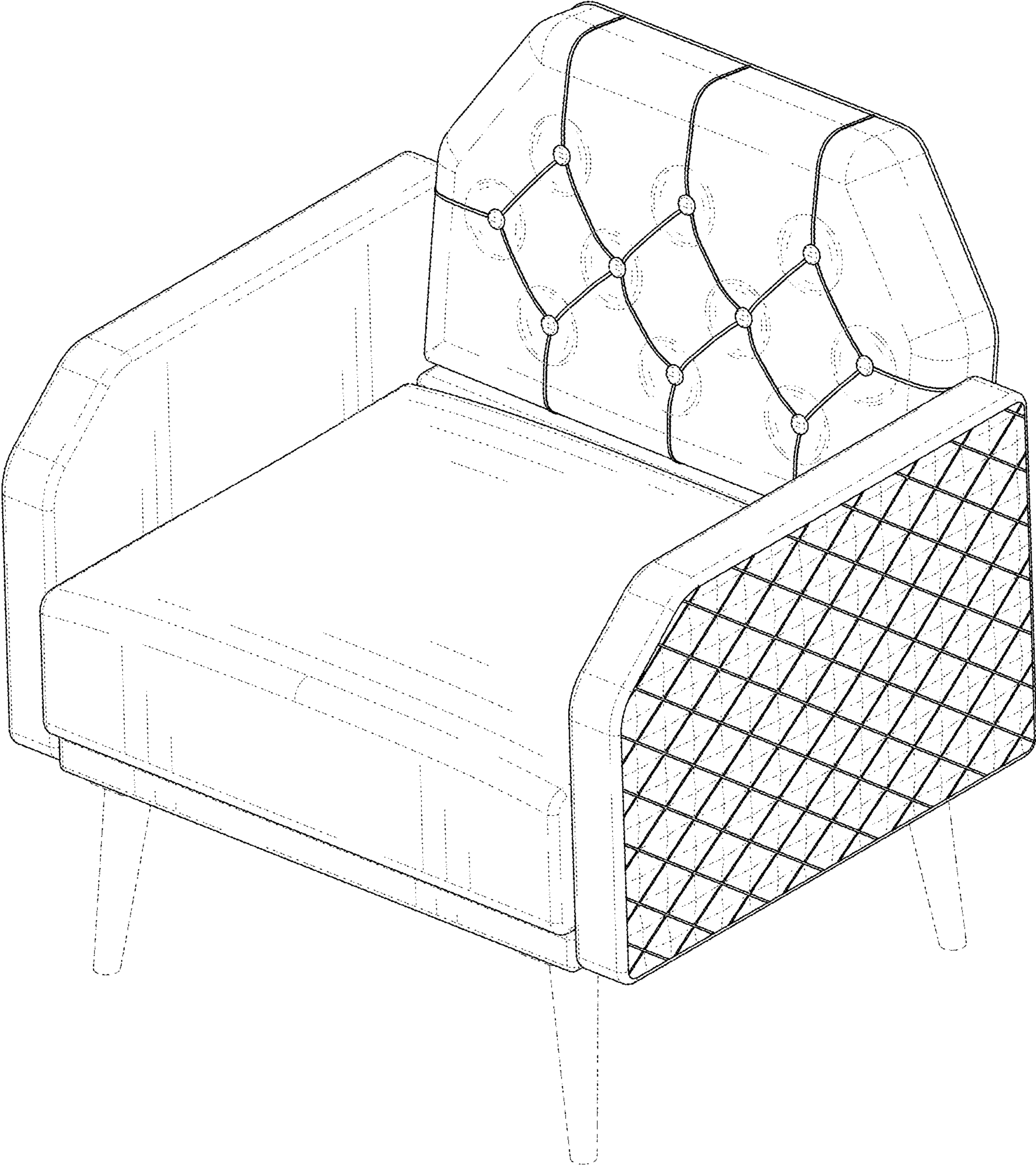


FIG. 1

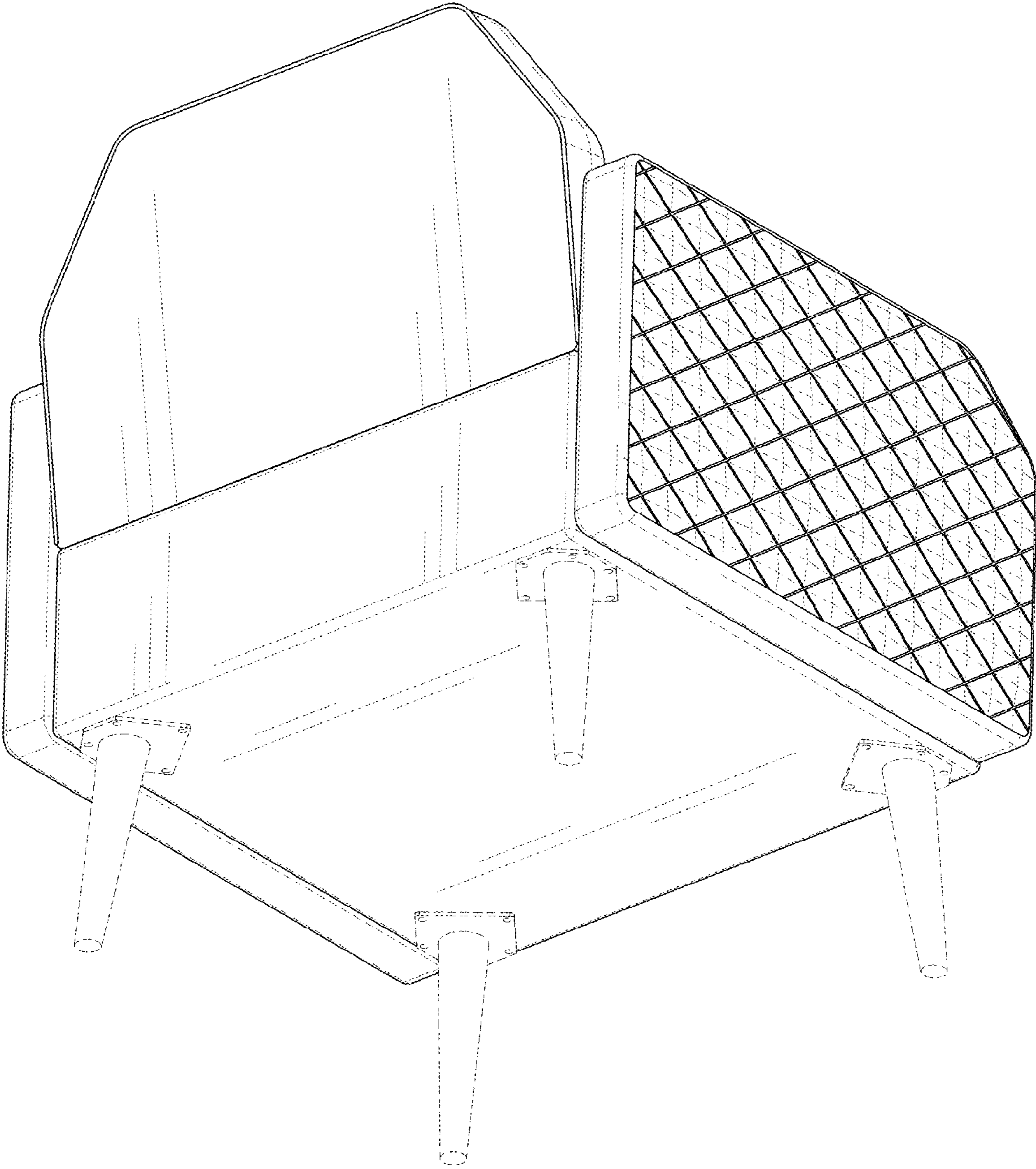


FIG. 2

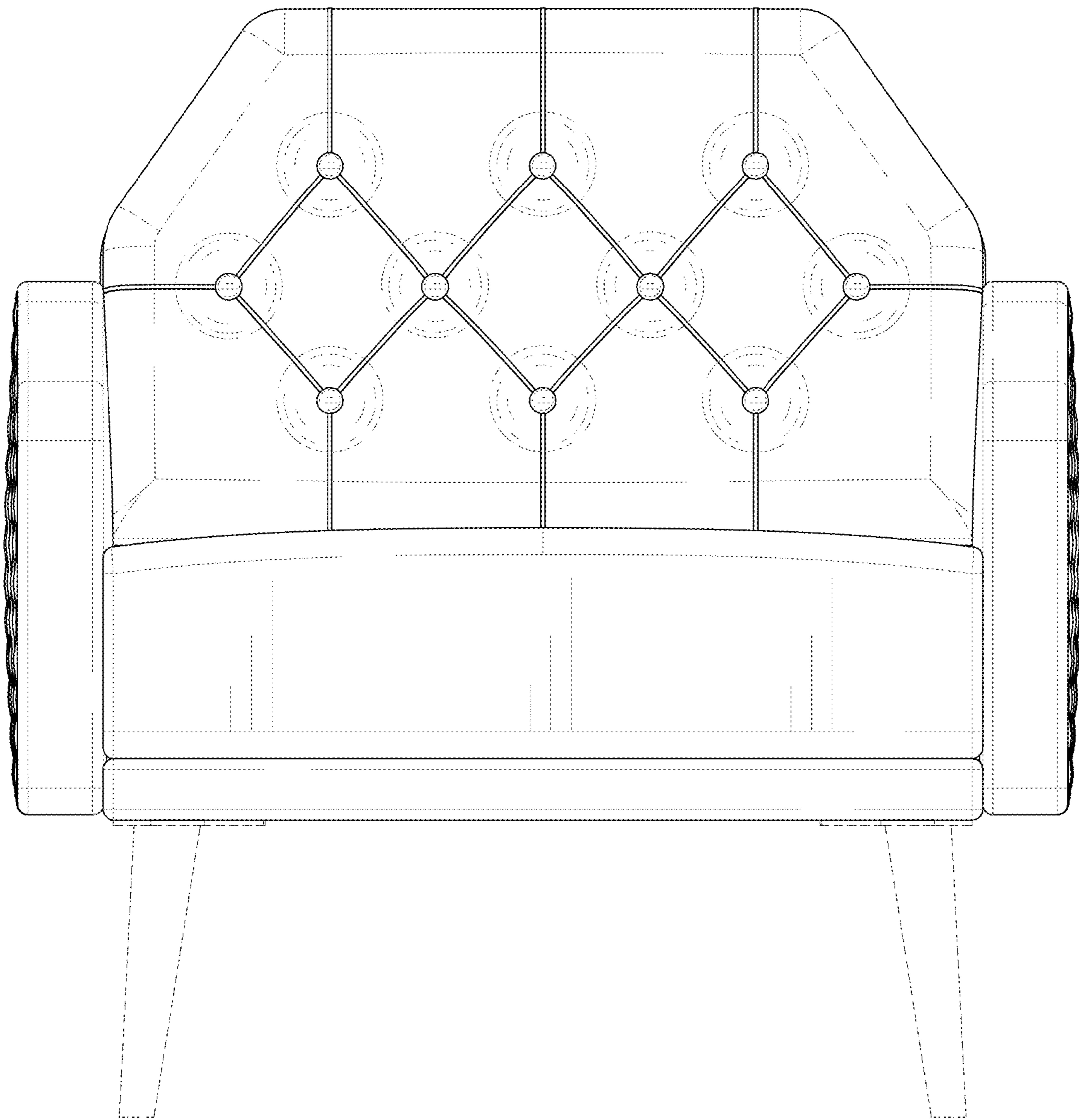


FIG. 3

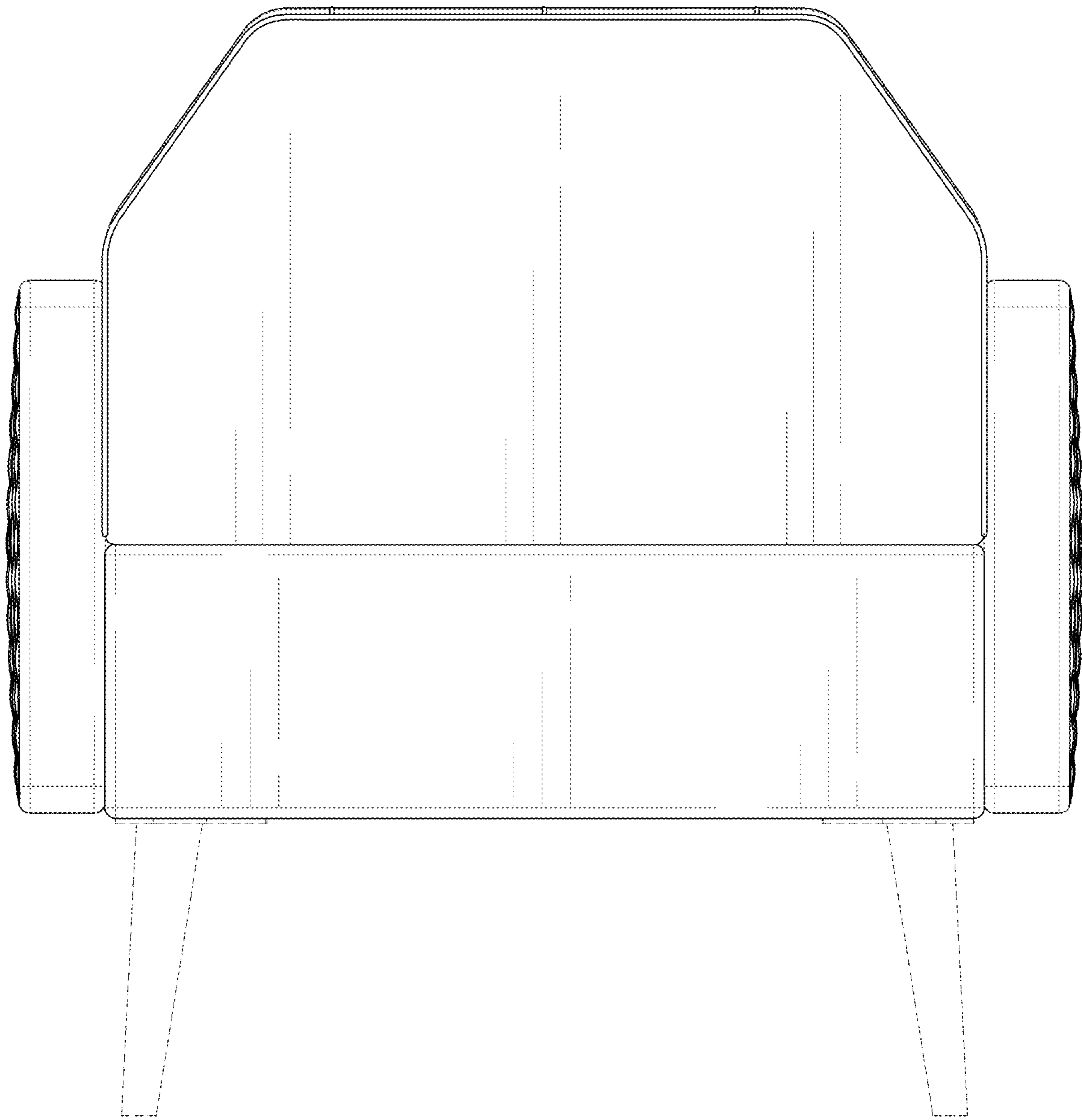


FIG. 4

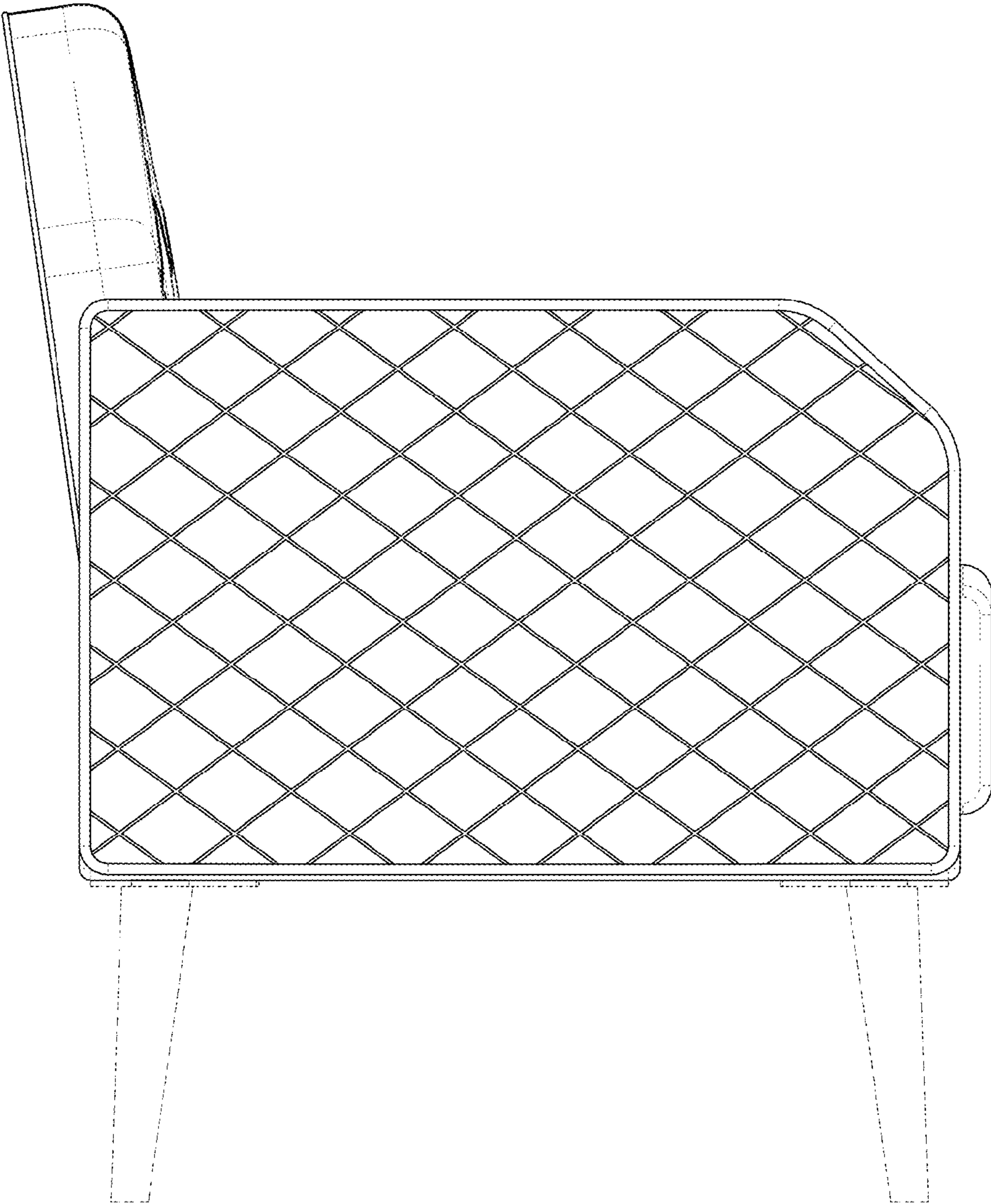


FIG. 5

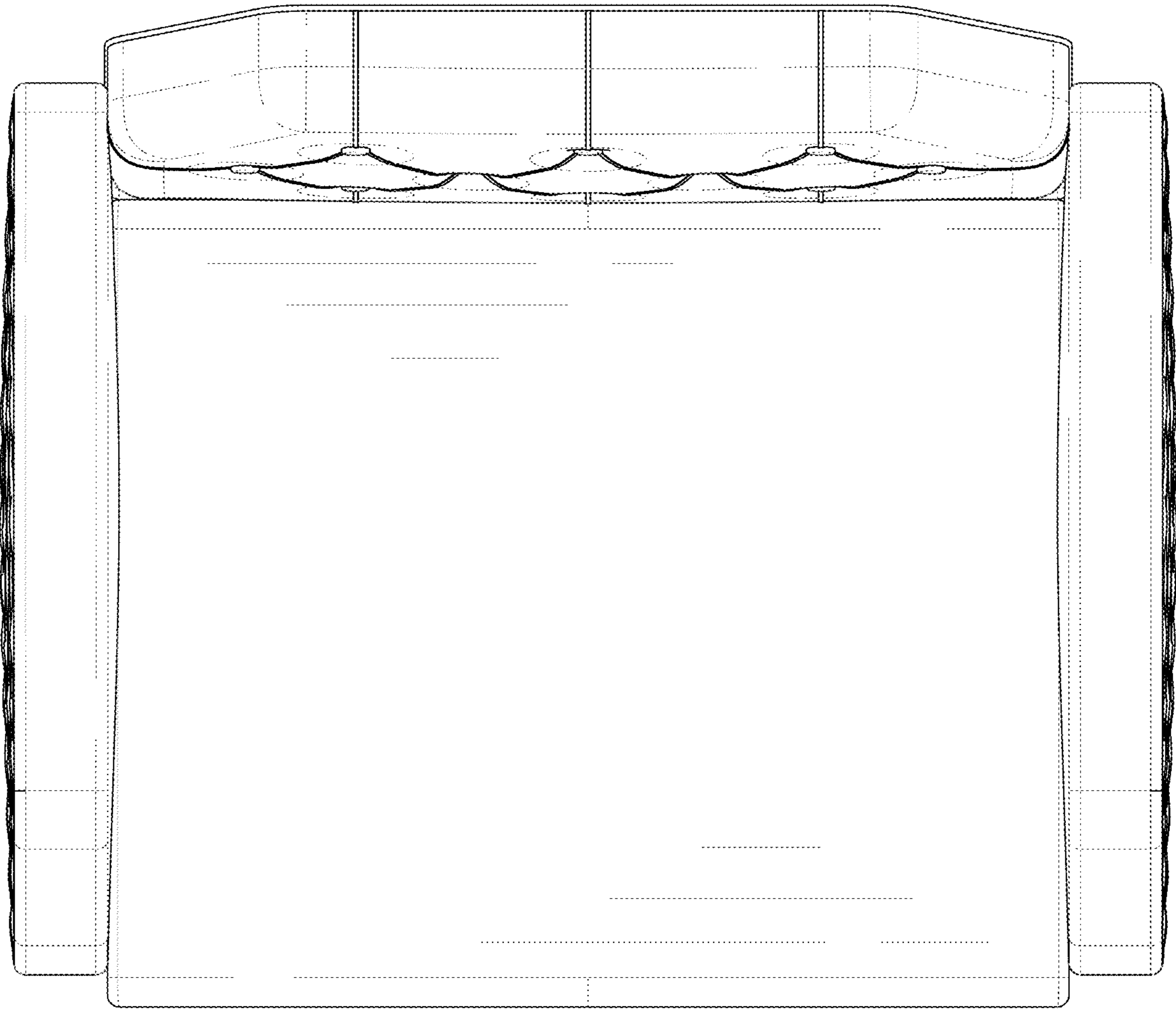


FIG. 6

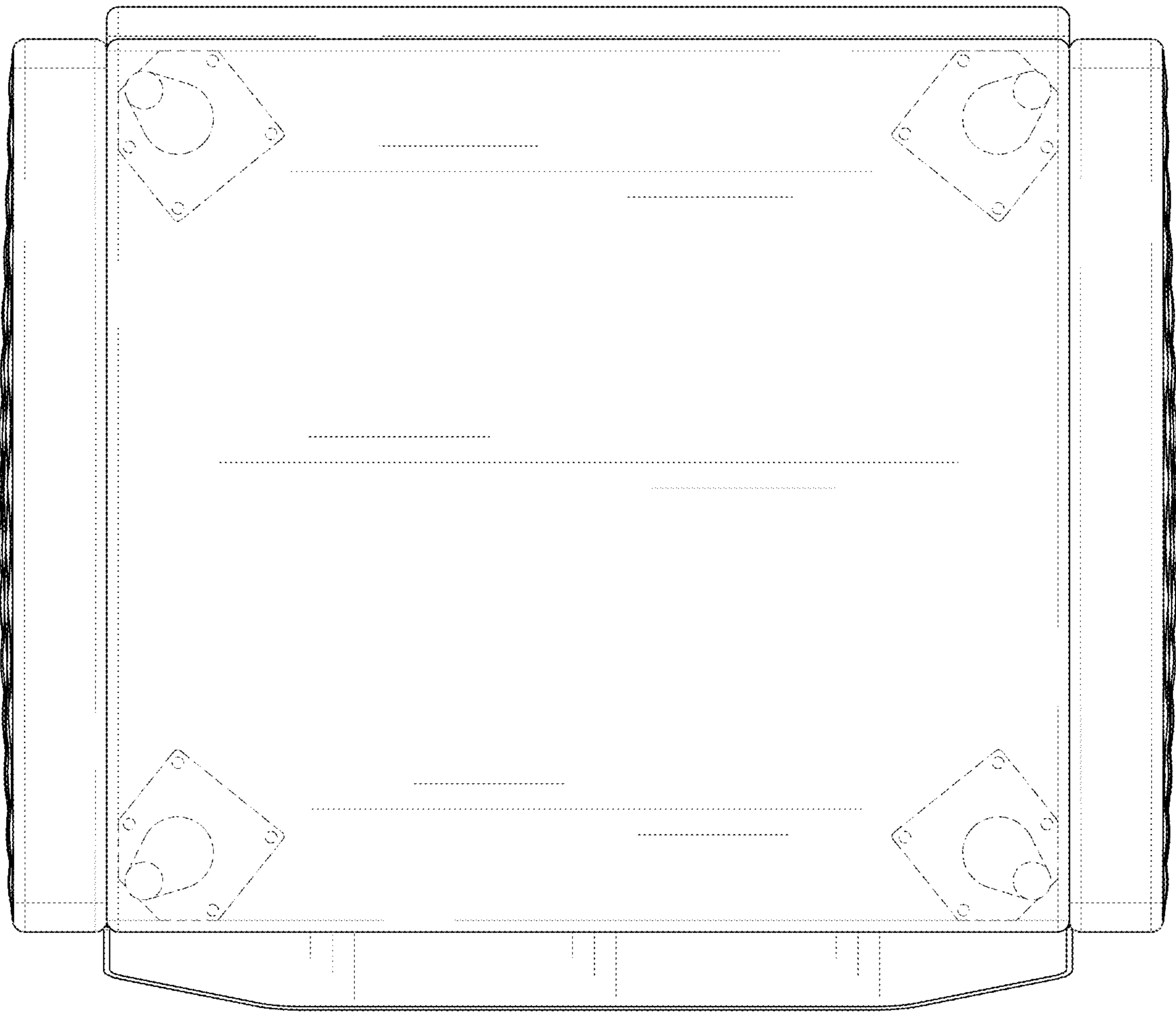


FIG. 7