



US00D976601S

(12) **United States Design Patent** (10) **Patent No.:** **US D976,601 S**  
**Fusco et al.** (45) **Date of Patent:** **\*\* Jan. 31, 2023**

(54) **CHAIR**

(71) Applicant: **Rio Brands, LLC**, Watertown, CT (US)

(72) Inventors: **Pio J. Fusco**, Simsbury, CT (US);  
**Christian Otis**, New Haven, CT (US)

(73) Assignee: **ShelterLogic Corp.**, Watertown, CT (US)

(\*\*) Term: **15 Years**

(21) Appl. No.: **29/768,051**

(22) Filed: **Jan. 27, 2021**

(51) **LOC (14) Cl.** ..... **06-01**

(52) **U.S. Cl.**  
USPC ..... **D6/368**

(58) **Field of Classification Search**  
USPC ..... D6/360, 369, 374, 376, 379, 380, 358,  
D6/365, 370, 373, 377, 716, 368, 709;  
D21/521

(Continued)

(56) **References Cited**

U.S. PATENT DOCUMENTS

D149,926 S \* 6/1948 Arndt ..... 297/80  
2,638,970 A \* 5/1953 Harber ..... A47C 4/48  
297/27

(Continued)

*Primary Examiner* — Kevin K Rudzinski

*Assistant Examiner* — Paul D Bohannon

(74) *Attorney, Agent, or Firm* — Carmody Torrance  
Sandak & Hennessey LLP

(57) **CLAIM**

The ornamental design for a chair, as shown and described.

**DESCRIPTION**

FIG. 1 is a perspective view of a first embodiment of a chair showing our new design;

FIG. 2 is a front view of FIG. 1;  
FIG. 3 is a rear view of FIG. 1;  
FIG. 4 is a top view of FIG. 1;  
FIG. 5 is a bottom view of FIG. 1;  
FIG. 6 is a left side view of FIG. 1 with the right side view being in mirror image thereof;  
FIG. 7 is a cross-sectional view taken about lines 1-1, 2-2, and 3-3 of FIG. 1;  
FIG. 8 is a cross-sectional view taken about lines 4-4 of FIG. 1;  
FIG. 9 is a perspective view of a second embodiment of a chair showing our new design;  
FIG. 10 is a front view of FIG. 9;  
FIG. 11 is a rear view of FIG. 9;  
FIG. 12 is a top view of FIG. 9;  
FIG. 13 is a bottom view of FIG. 9;  
FIG. 14 is a left side view of FIG. 9 with the right side view being in mirror image thereof;  
FIG. 15 is a cross-sectional view taken about lines 5-5 of FIG. 9;  
FIG. 16 is a cross-sectional view taken about lines 6-6 of FIG. 9;  
FIG. 17 is a cross-sectional view taken about lines 7-7 of FIG. 9;  
FIG. 18 is a cross-sectional view taken about lines 8-8 of FIG. 9;  
FIG. 19 is a perspective view of a third embodiment of a chair showing our new design;  
FIG. 20 is a front view of FIG. 19;  
FIG. 21 is a rear view of FIG. 19;  
FIG. 22 is a top view of FIG. 19;  
FIG. 23 is a bottom view of FIG. 19;  
FIG. 24 is a left side view of FIG. 19 with the right side view being in mirror image thereof;  
FIG. 25 is a cross-sectional view taken about lines 1-1, 2-2, and 3-3 of FIG. 19;  
FIG. 26 is a cross-sectional view taken about lines 4-4 of FIG. 19;  
FIG. 27 is a perspective view of a fourth embodiment of a chair showing our new design;  
FIG. 28 is a front view of FIG. 27;  
FIG. 29 is a rear view of FIG. 27;  
FIG. 30 is a top view of FIG. 27;

(Continued)

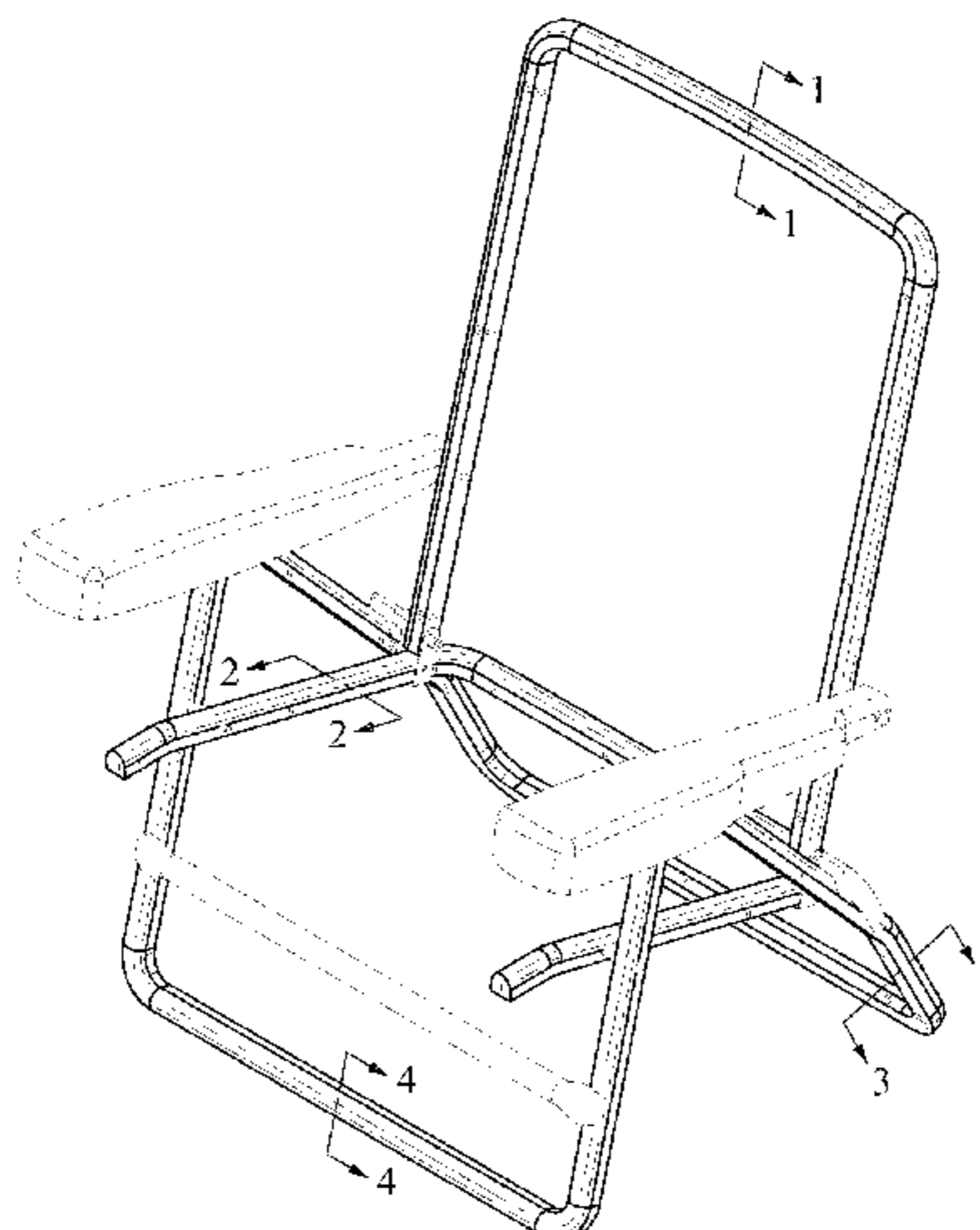


FIG. 31 is a bottom view of FIG. 27;  
 FIG. 32 is a left side view of FIG. 27 with the right side view being in mirror image thereof;  
 FIG. 33 is a cross-sectional view taken about lines 5-5 of FIG. 27;  
 FIG. 34 is a cross-sectional view taken about lines 6-6 of FIG. 27;  
 FIG. 35 is a cross-sectional view taken about lines 7-7 of FIG. 27;  
 FIG. 36 is a cross-sectional view taken about lines 8-8 of FIG. 27;  
 FIG. 37 is a perspective view of a fifth embodiment of a chair showing our new design;  
 FIG. 38 is a front view of FIG. 37;  
 FIG. 39 is a rear view of FIG. 37;  
 FIG. 40 is a top view of FIG. 37;  
 FIG. 41 is a bottom view of FIG. 37;  
 FIG. 42 is a left side view of FIG. 37 with the right side view being in mirror image thereof;  
 FIG. 43 is a cross-sectional view taken about lines 1-1, 2-2, and 3-3 of FIG. 37;  
 FIG. 44 is a cross-sectional view taken about lines 4-4 of FIG. 37;  
 FIG. 45 is a perspective view of a sixth embodiment of a chair showing our new design;  
 FIG. 46 is a front view of FIG. 45;  
 FIG. 47 is a rear view of FIG. 45;  
 FIG. 48 is a top view of FIG. 45;  
 FIG. 49 is a bottom view of FIG. 45;  
 FIG. 50 is a left side view of FIG. 45 with the right side view being in mirror image thereof;  
 FIG. 51 is a cross-sectional view taken about lines 5-5 of FIG. 45;  
 FIG. 52 is a cross-sectional view taken about lines 6-6 of FIG. 45;  
 FIG. 53 is a cross-sectional view taken about lines 7-7 of FIG. 45;  
 FIG. 54 is a cross-sectional view taken about lines 8-8 of FIG. 45;  
 FIG. 55 is a perspective view of a seventh embodiment of a chair showing our new design;  
 FIG. 56 is a front view of FIG. 55;  
 FIG. 57 is a rear view of FIG. 55;  
 FIG. 58 is a top view of FIG. 55;  
 FIG. 59 is a bottom view of FIG. 55;  
 FIG. 60 is a left side view of FIG. 55 with the right side view being in mirror image thereof;  
 FIG. 61 is a cross-sectional view taken about lines 1-1, 2-2, and 3-3 of FIG. 55;  
 FIG. 62 is a cross-sectional view taken about lines 4-4 of FIG. 55;  
 FIG. 63 is a perspective view of an eighth embodiment of a chair showing our new design;  
 FIG. 64 is a front view of FIG. 63;  
 FIG. 65 is a rear view of FIG. 63;  
 FIG. 66 is a top view of FIG. 63;  
 FIG. 67 is a bottom view of FIG. 63;  
 FIG. 68 is a left side view of FIG. 63 with the right side view being in mirror image thereof;  
 FIG. 69 is a cross-sectional view taken about lines 5-5 of FIG. 63;  
 FIG. 70 is a cross-sectional view taken about lines 6-6 of FIG. 63;

FIG. 71 is a cross-sectional view taken about lines 7-7 of FIG. 63; and,

FIG. 72 is a cross-sectional view taken about lines 8-8 of FIG. 63.

The dotted lines are intended to show features that form no part of the claimed design.

**1 Claim, 56 Drawing Sheets**

(58) **Field of Classification Search**

CPC .. A47C 3/023; A47C 3/04; A47C 3/14; A47C 3/34; A47C 4/028; A47C 4/02; A47C 4/03; A47C 5/04; A47C 5/10; A47C 7/002; A47C 7/029; A47C 7/506; A47C 9/007; A47C 9/005; A47C 9/00; A47C 13/023; A47C 31/11; A47C 4/50; A47C 4/48; A47B 1/00; A47B 7/02; A47B 39/08; A47B 41/00; A47B 41/04; A47B 2200/0011; A47B 2200/0027

See application file for complete search history.

(56) **References Cited**

U.S. PATENT DOCUMENTS

2,708,962	A *	5/1955	Rechler .....	A47C 4/50 297/31
D182,797	S *	5/1958	Ensign .....	297/31
2,981,316	A *	4/1961	Goebel .....	A47C 1/0265 297/359
3,151,909	A *	10/1964	Gerdetz .....	A47C 31/11 297/188.2
D280,276	S *	8/1985	McKay .....	D6/361
D378,476	S *	3/1997	Spaeth .....	D6/367
D414,947	S *	10/1999	Liu .....	D6/365
D448,940	S *	10/2001	Chi .....	D6/365
D507,424	S *	7/2005	Rogasis .....	D6/370
D524,082	S *	7/2006	Dettmann .....	D6/716
7,794,016	B1	9/2010	Lucci et al.	
9,351,578	B2	5/2016	Homan et al.	
10,194,749	B1 *	2/2019	Doolan .....	A47C 5/06
D843,150	S *	3/2019	Doolan .....	D6/709.2
D843,151	S *	3/2019	Doolan .....	D6/716
D843,152	S *	3/2019	Doolan .....	D6/716
D844,338	S *	4/2019	Franks .....	D6/368
D849,437	S *	5/2019	Yang .....	D6/368
D850,810	S *	6/2019	Doolan .....	D6/368
10,368,649	B2 *	8/2019	Cohen .....	A47C 7/62
10,405,659	B2 *	9/2019	Garrison .....	A47C 1/03
10,463,157	B1 *	11/2019	Liniado .....	A47C 4/52
10,561,249	B2 *	2/2020	Doolan .....	A47C 4/20
10,631,651	B1 *	4/2020	Hsu Besner .....	A47C 7/407
10,743,670	B2 *	8/2020	Winterhalter .....	A47C 7/70
D911,730	S *	3/2021	Doolan .....	D6/368
D929,758	S *	9/2021	Hutchinson .....	D6/368
D930,377	S *	9/2021	Hutchinson .....	D6/368
D934,013	S *	10/2021	Hsu Besner .....	D6/709
D934,014	S *	10/2021	Hsu Besner .....	D6/709
D942,768	S *	2/2022	Hutchinson .....	D6/368
11,241,097	B2 *	2/2022	Cieszko .....	A47C 4/34
2014/0123455	A1	5/2014	Mishica	
2014/0339859	A1	11/2014	Holland et al.	
2016/0198856	A1 *	7/2016	Grace .....	A47C 4/22 297/16.1
2019/0045908	A1 *	2/2019	Zhu .....	A45F 3/14
2019/0374033	A1 *	12/2019	Grace .....	A45C 13/1046
2020/0214450	A1 *	7/2020	Garrison .....	A47C 7/624

\* cited by examiner



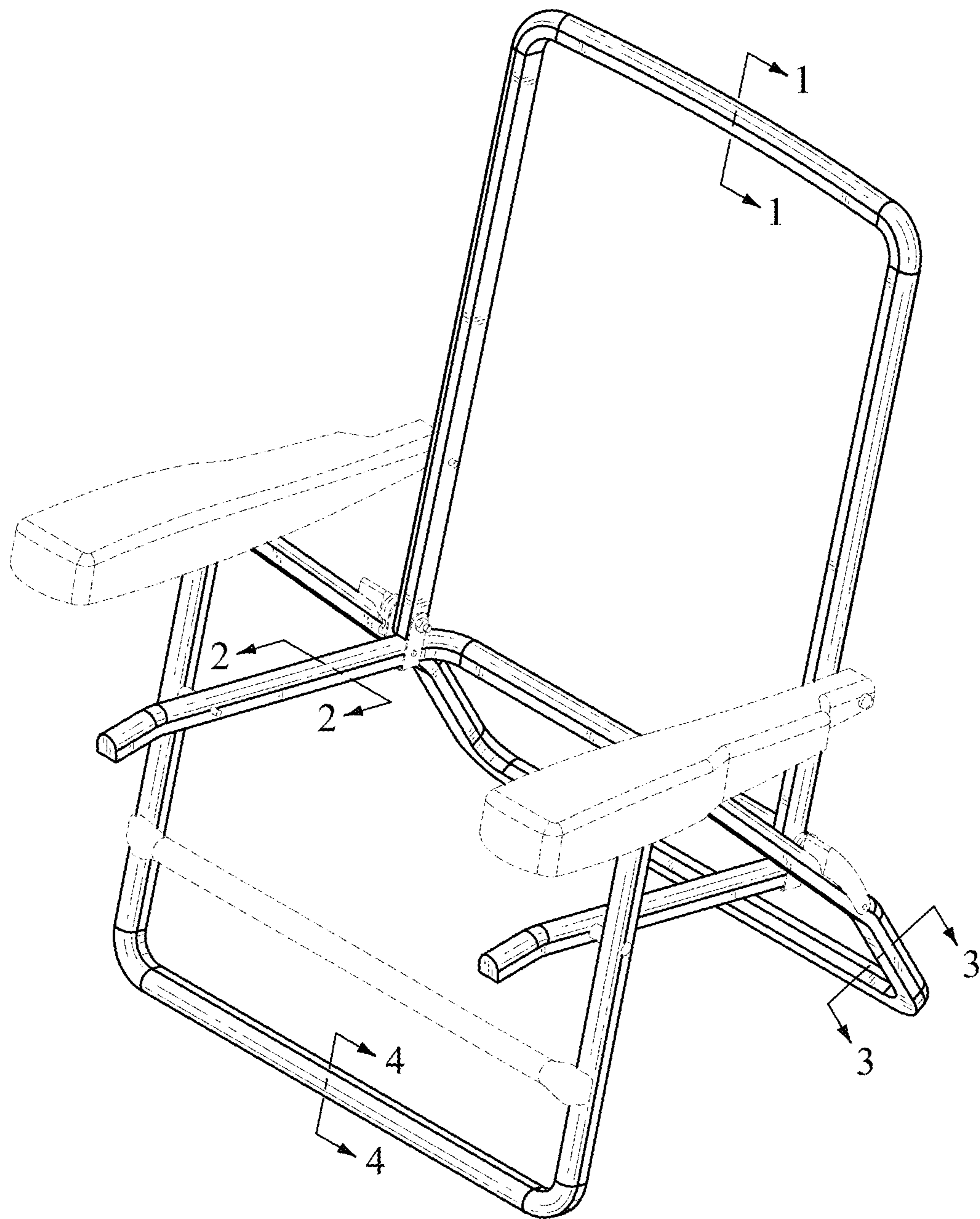
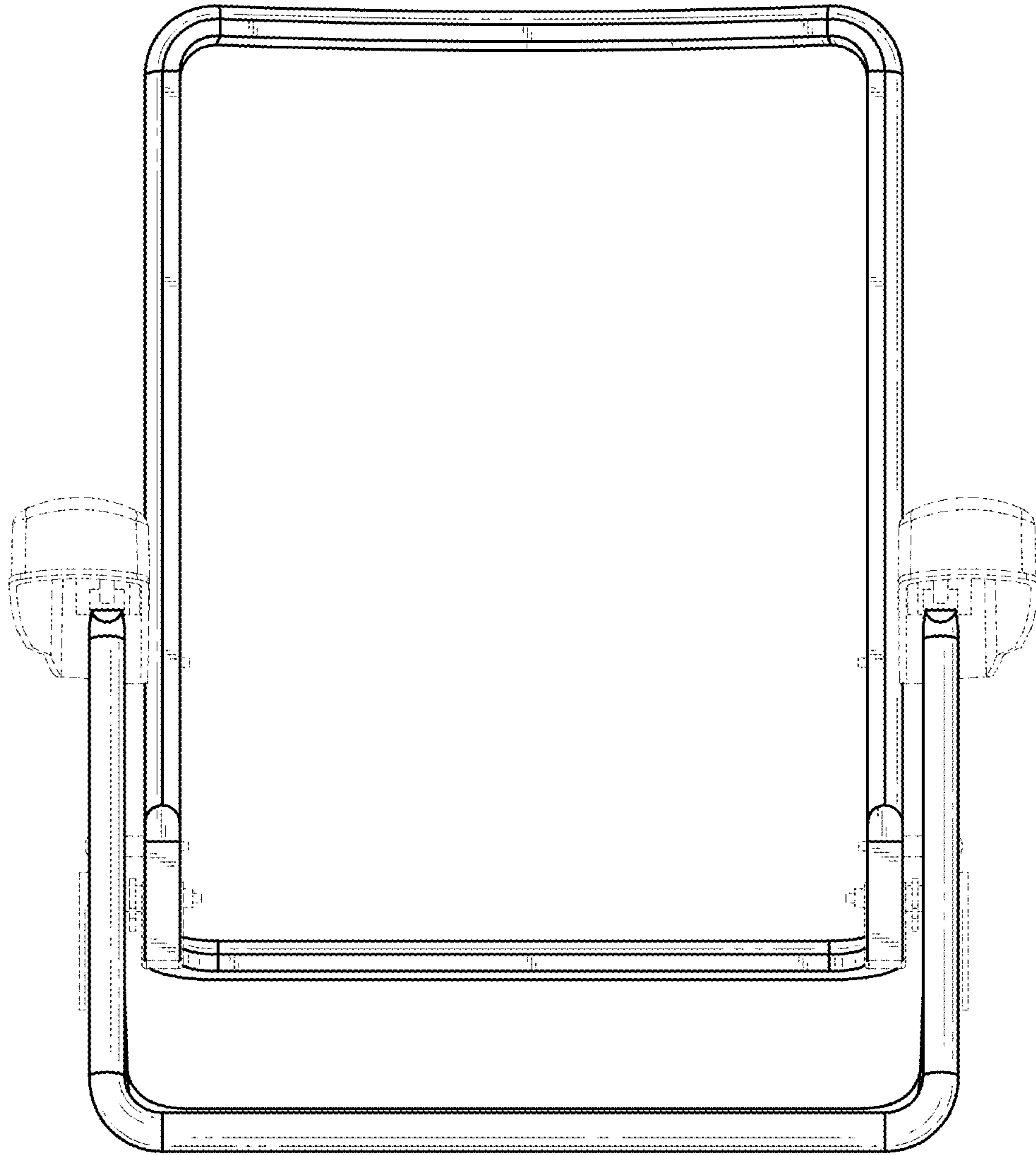
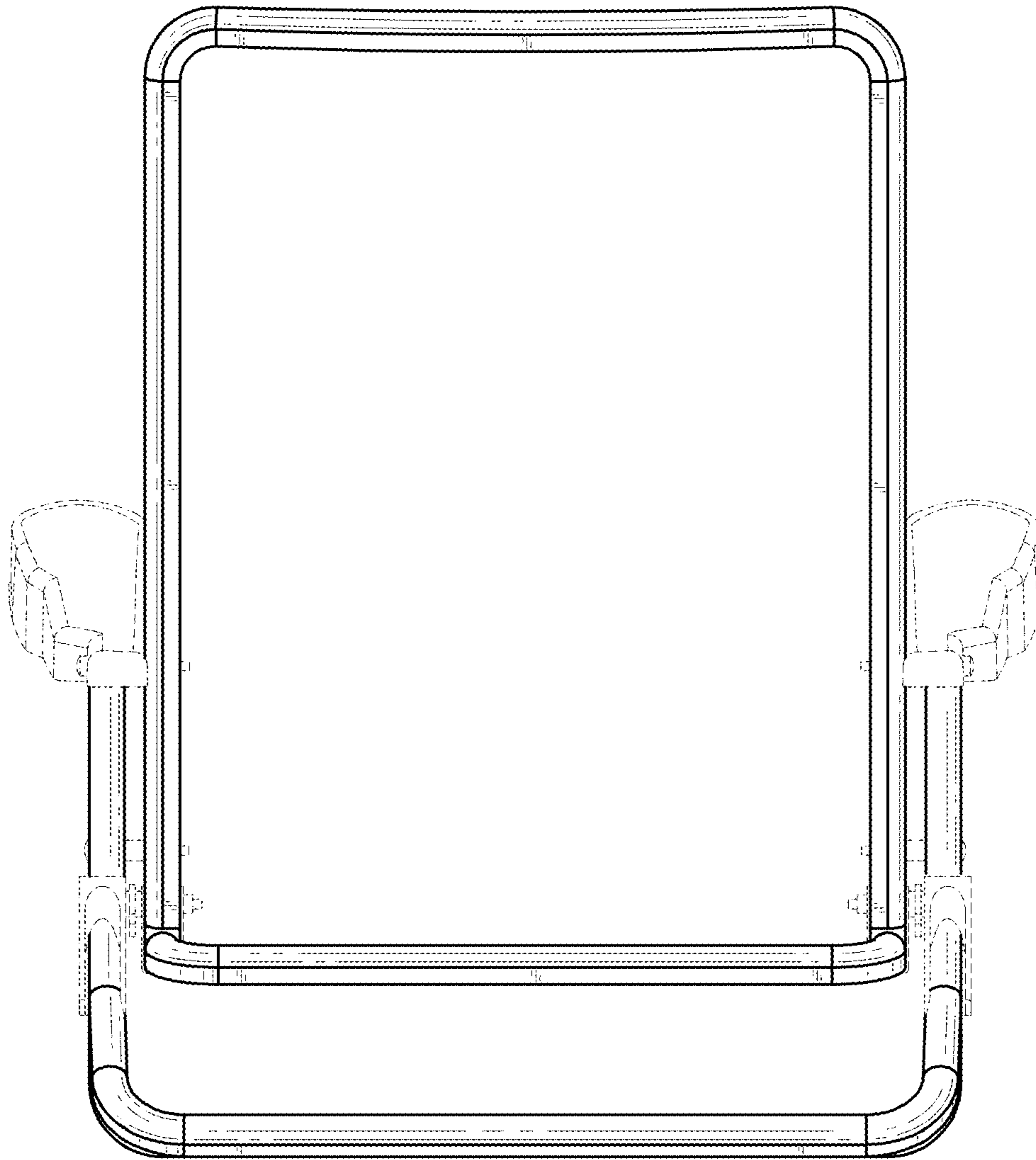


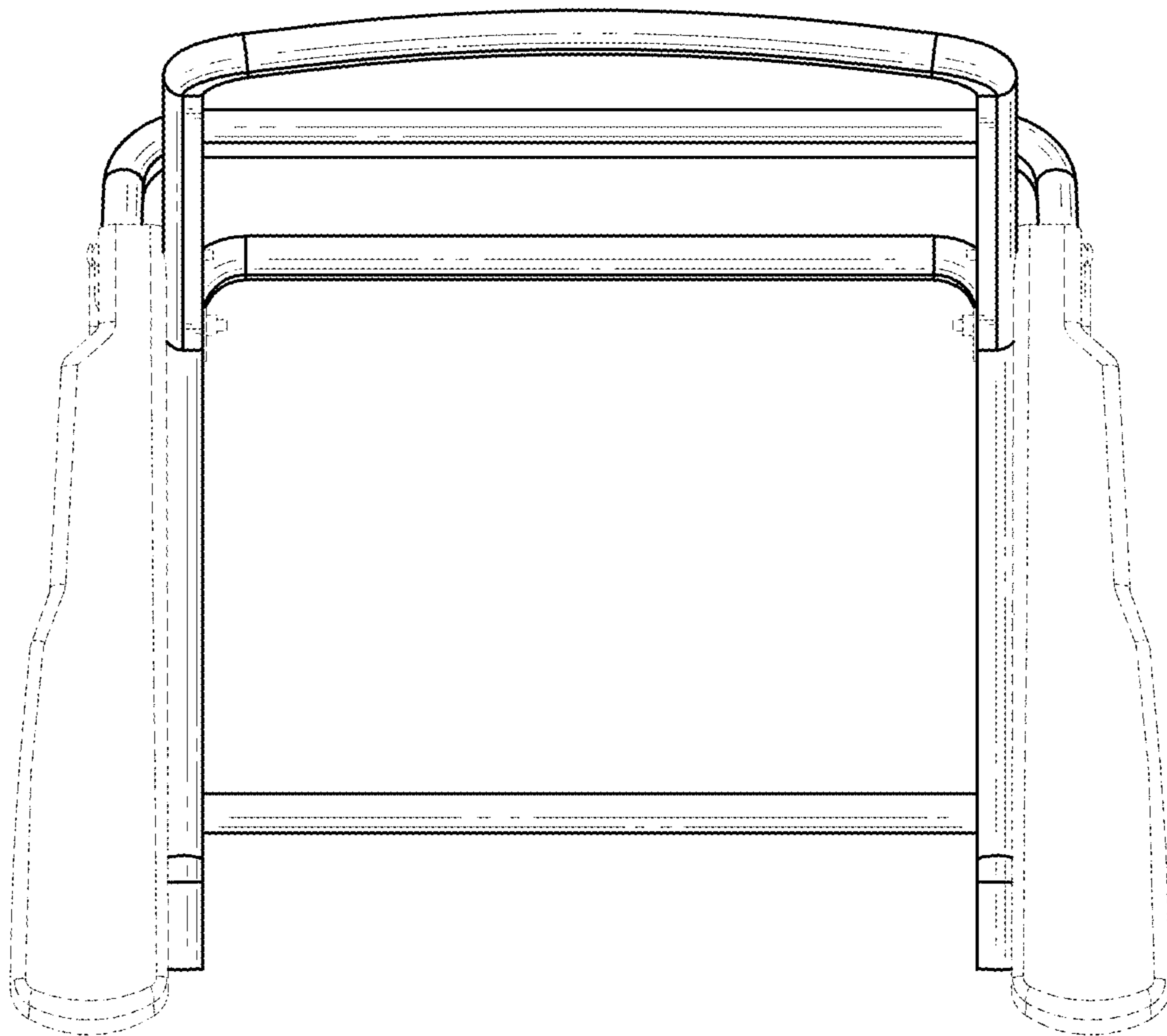
FIG. 1



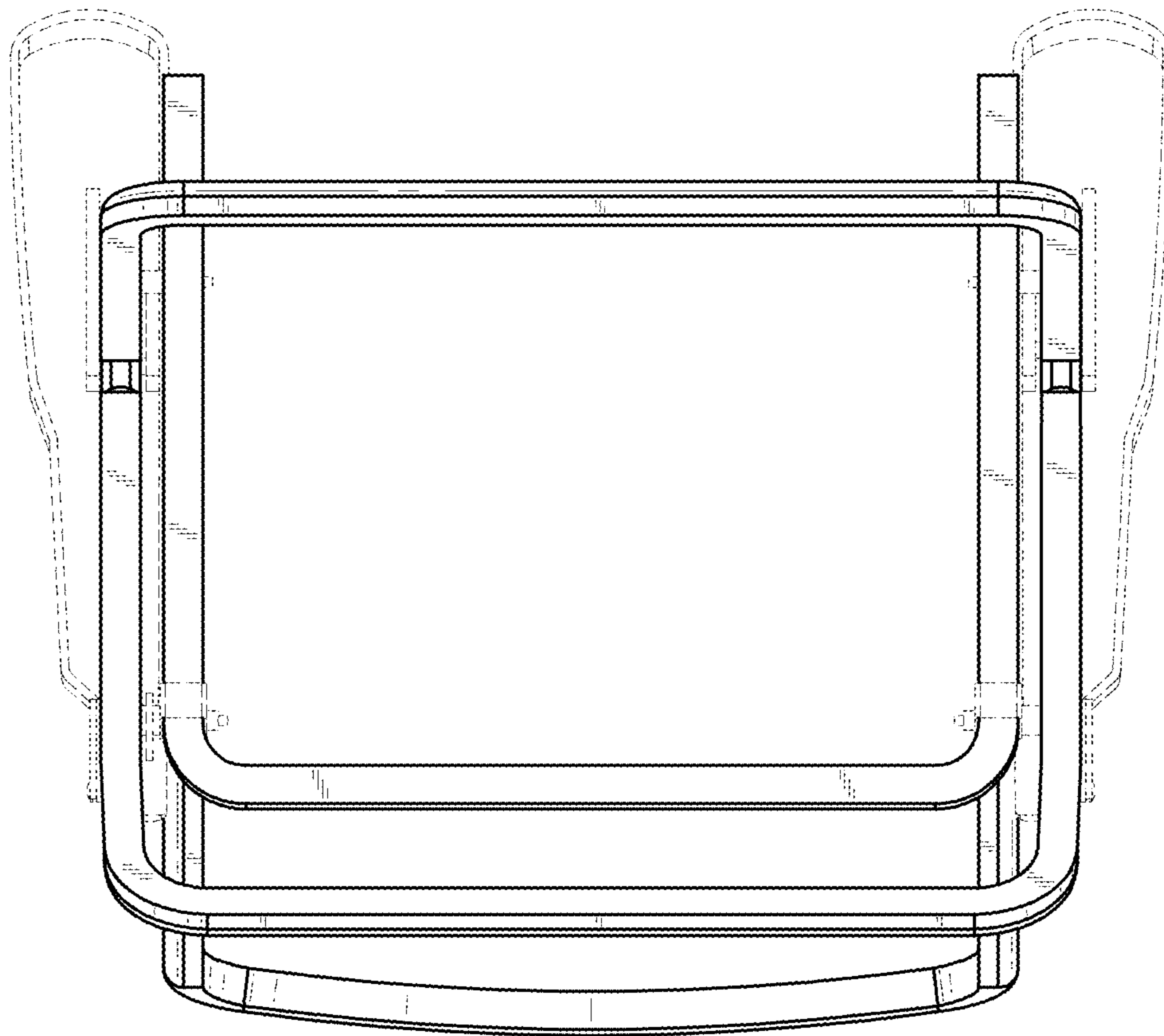
*FIG. 2*



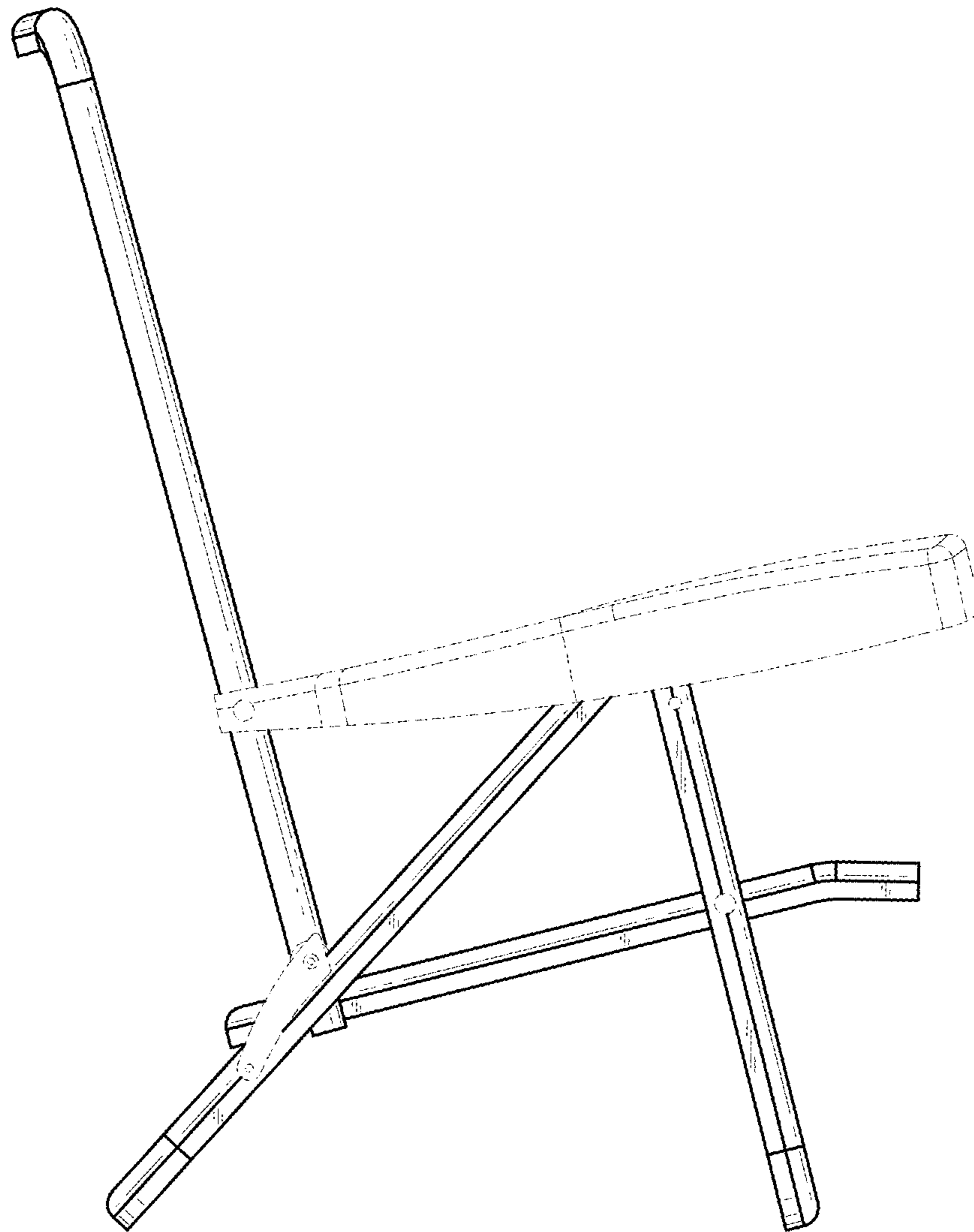
*FIG. 3*



*FIG. 4*

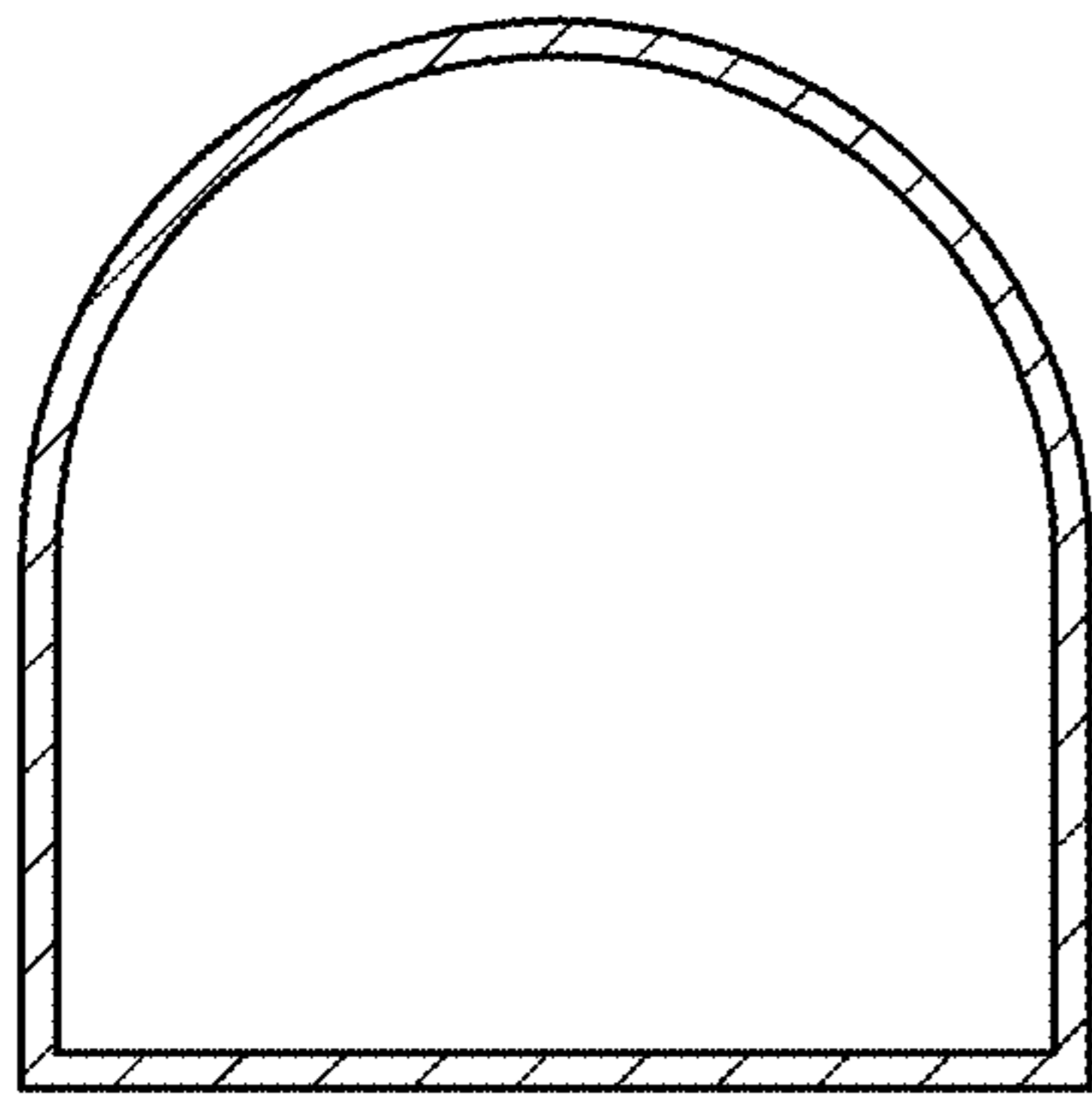


*FIG. 5*

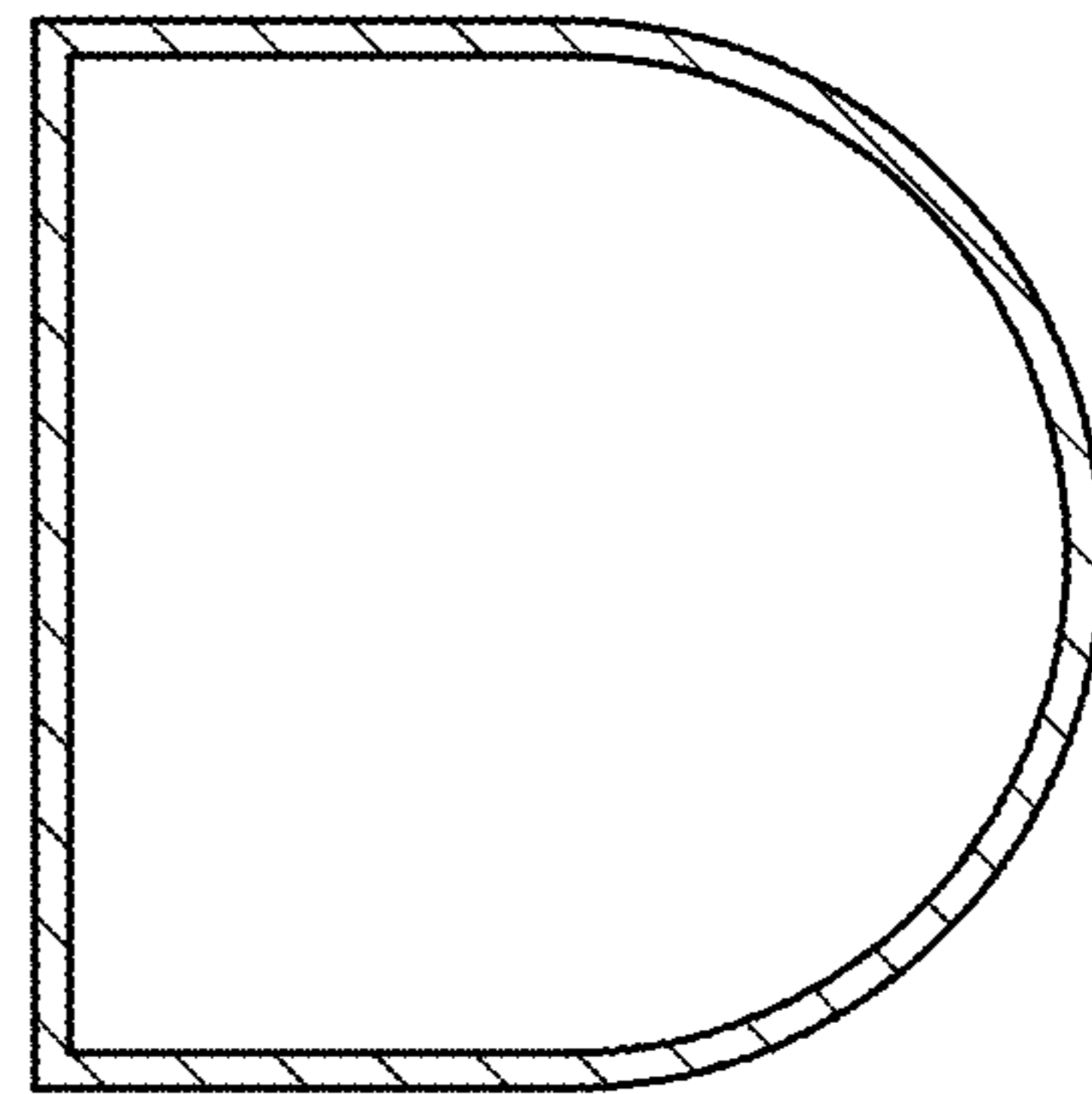


*FIG. 6*





*FIG. 7*



*FIG. 8*

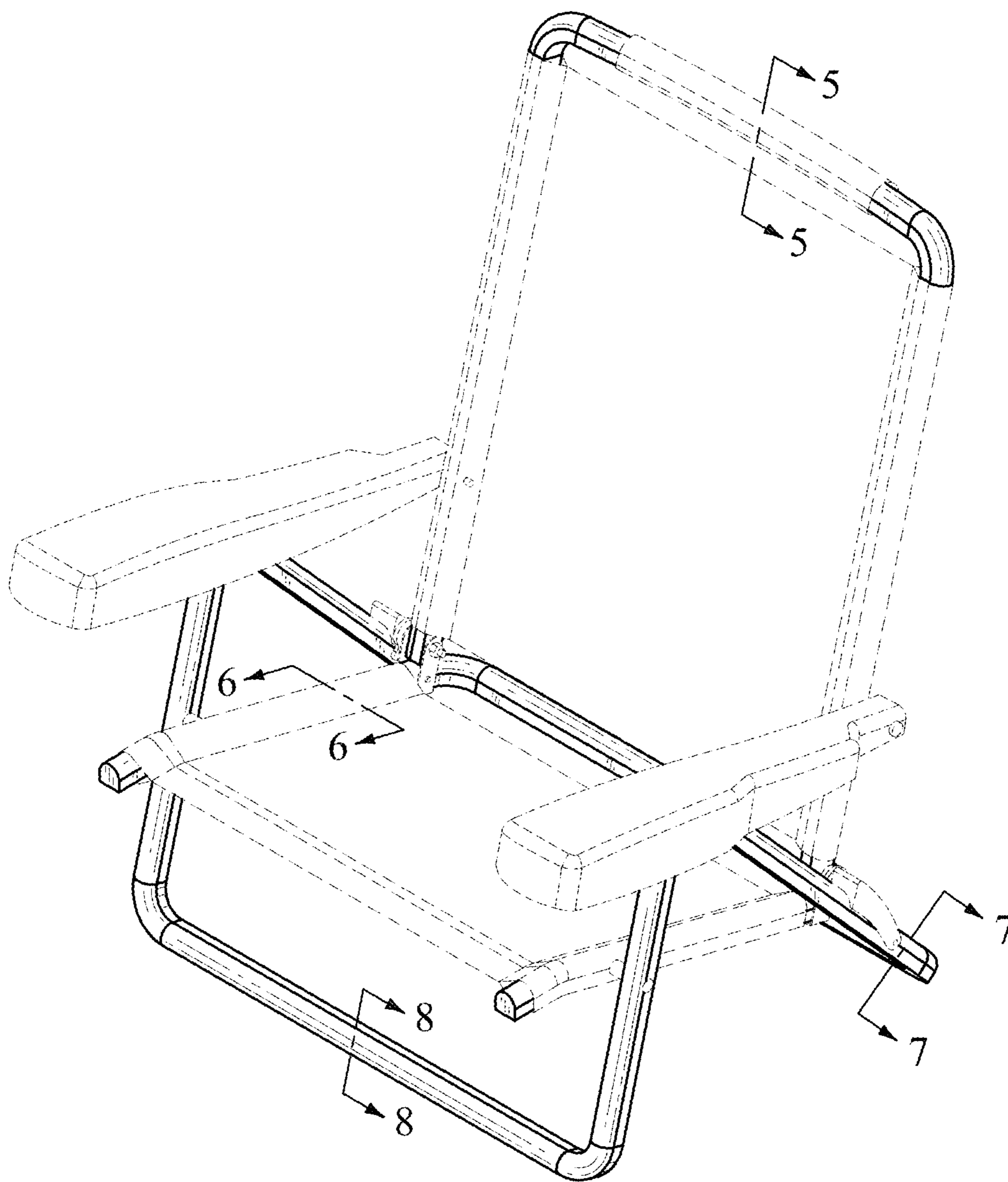


FIG. 9

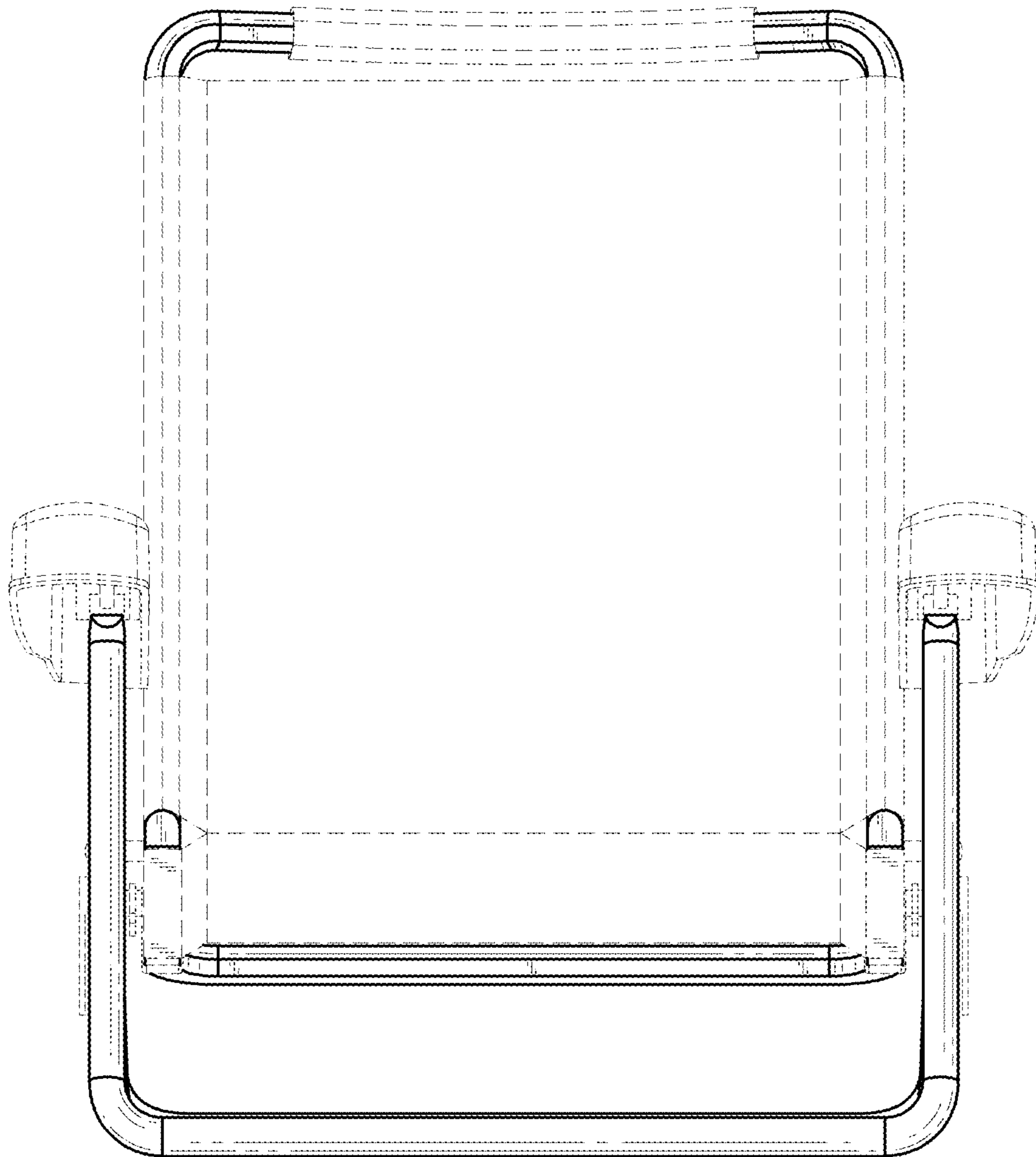


FIG. 10

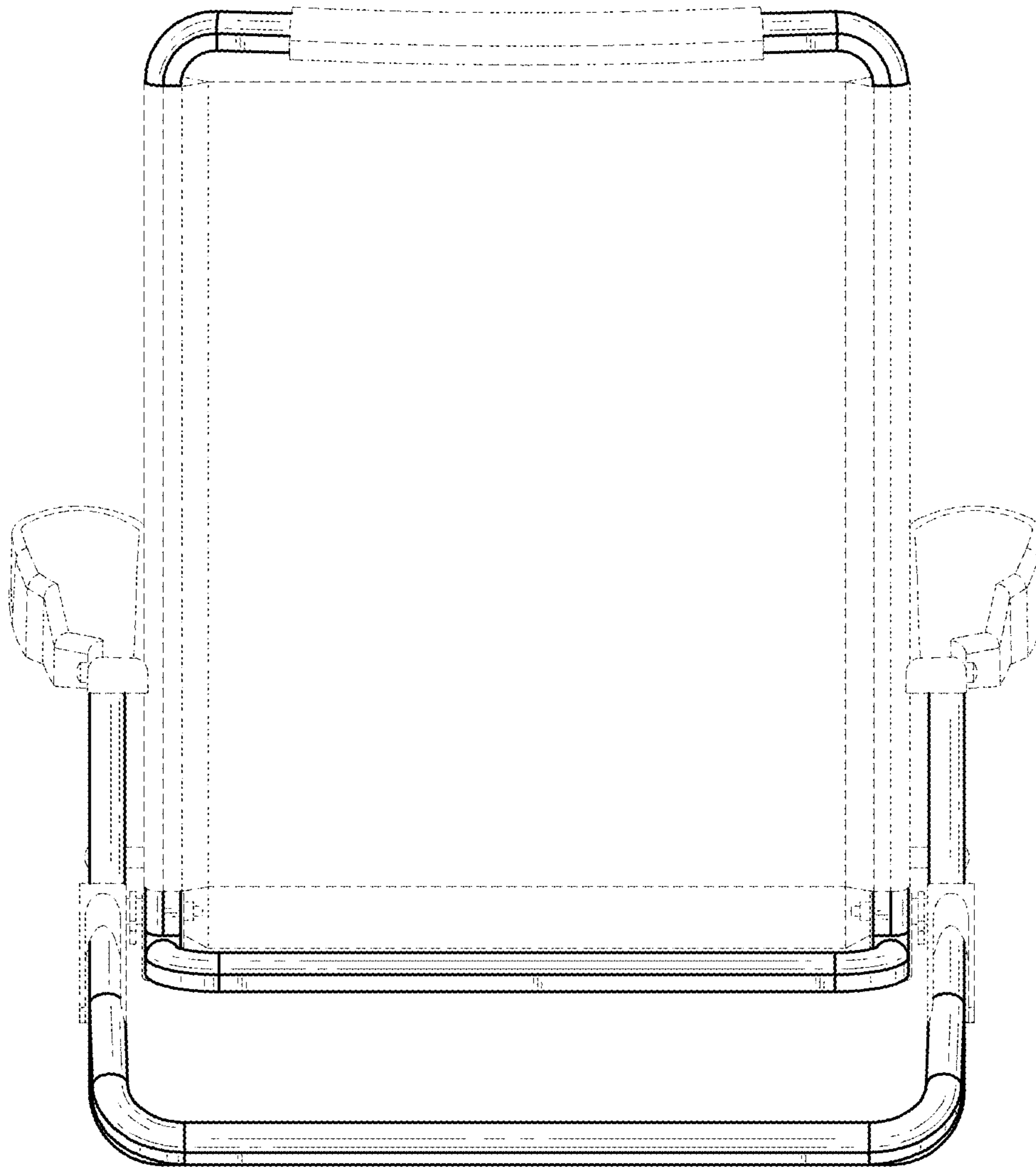
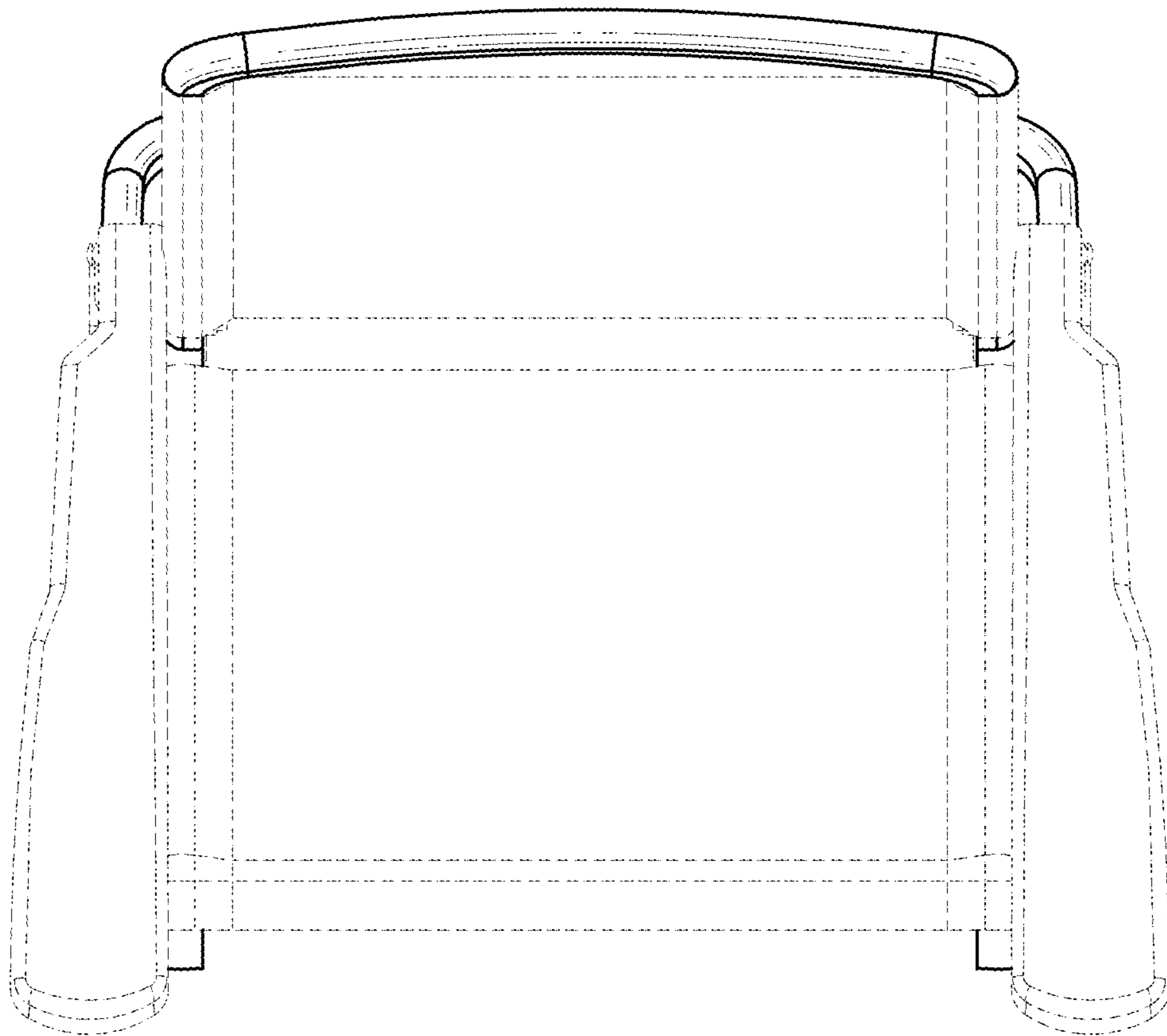
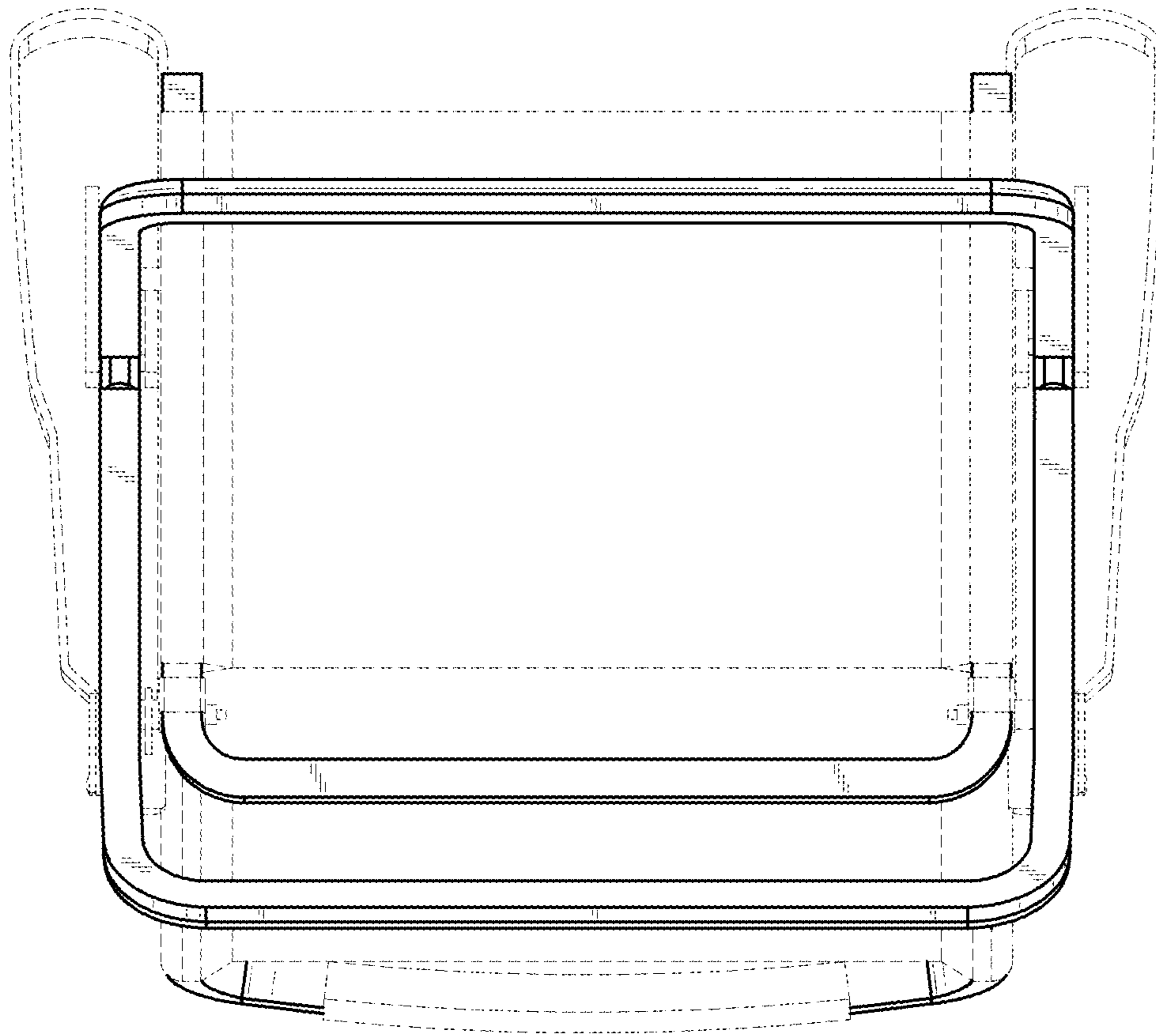


FIG. 11





*FIG. 12*



*FIG. 13*

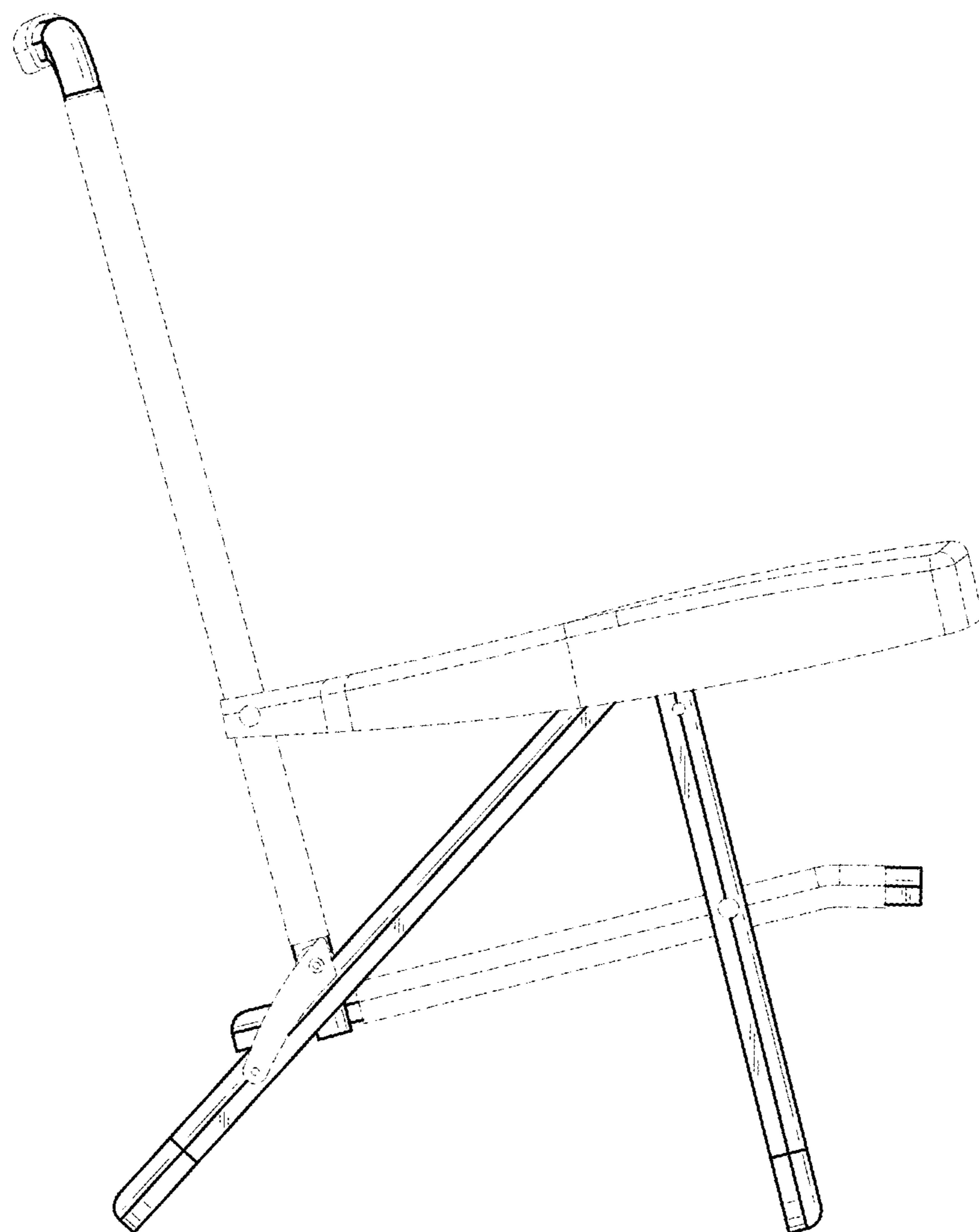


FIG. 14

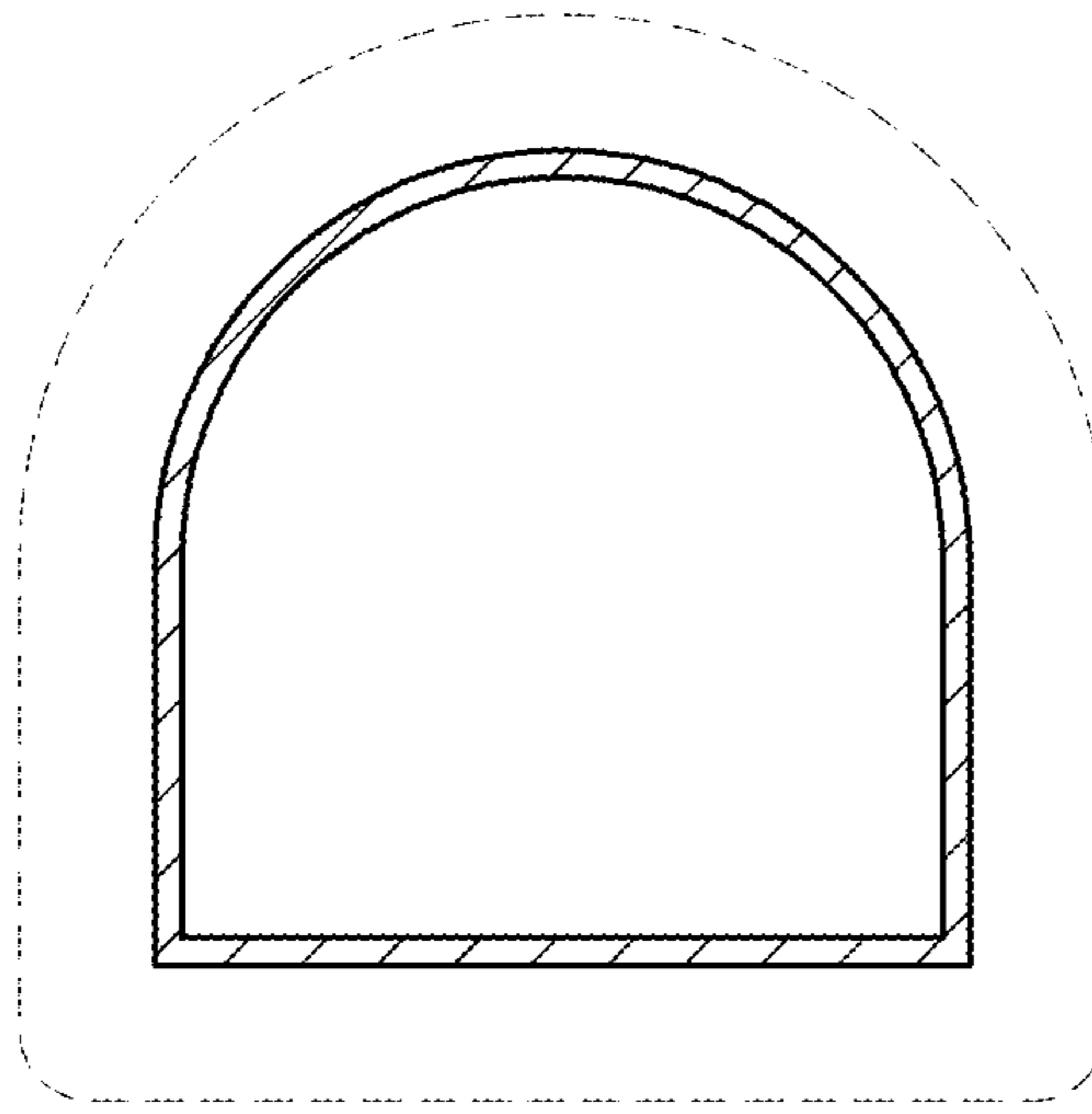


FIG. 15

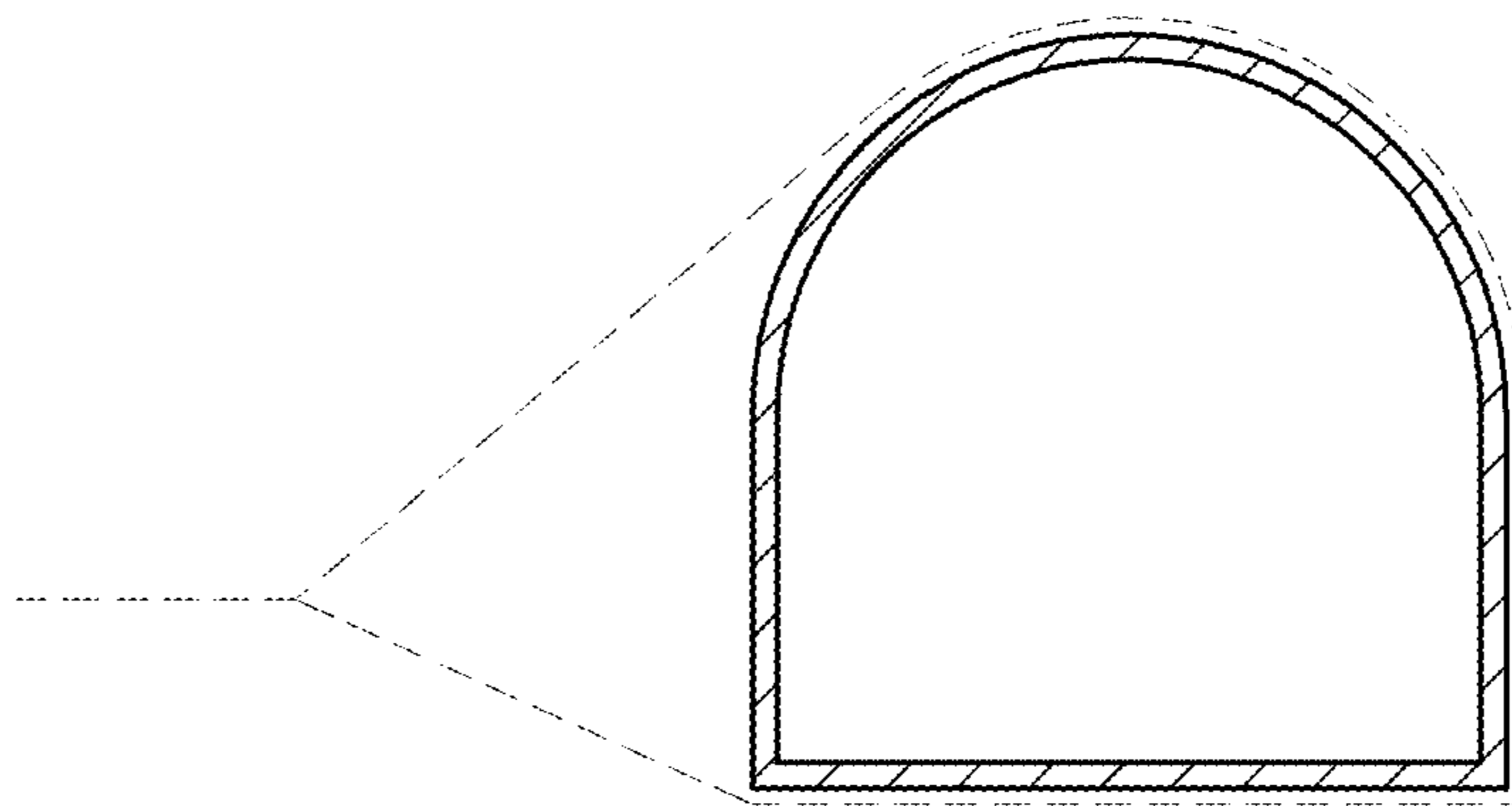


FIG. 16

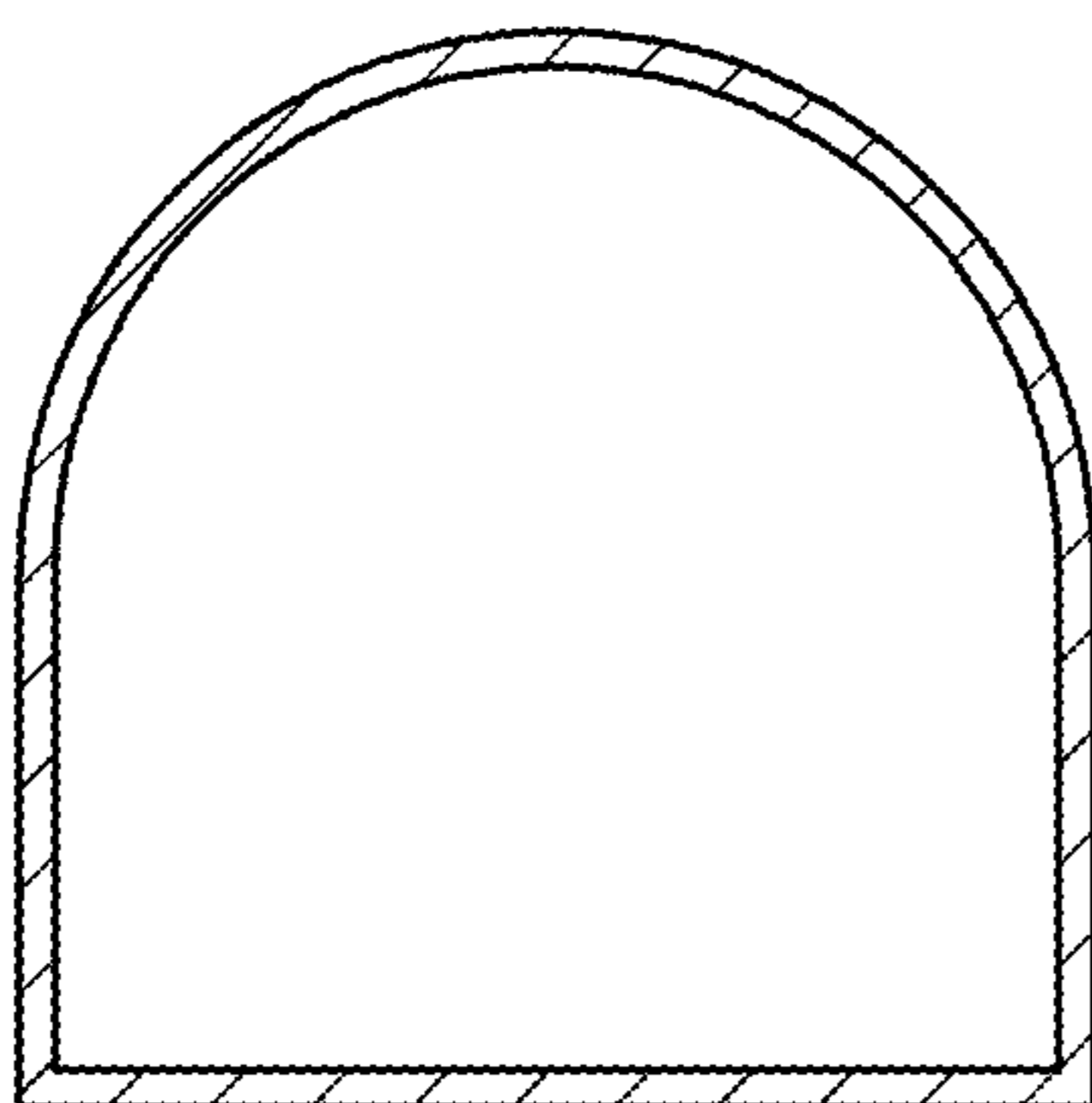


FIG. 17

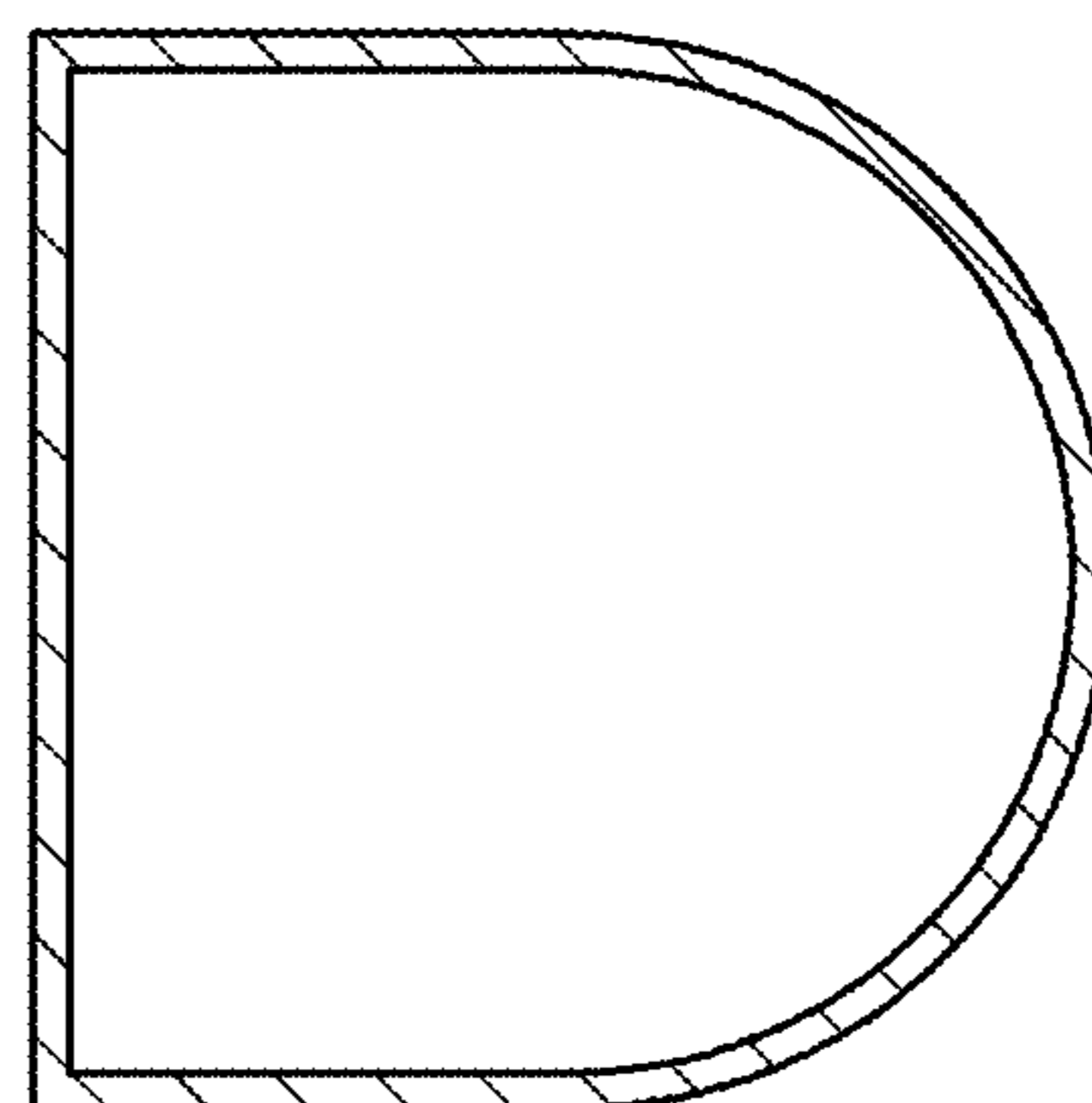


FIG. 18



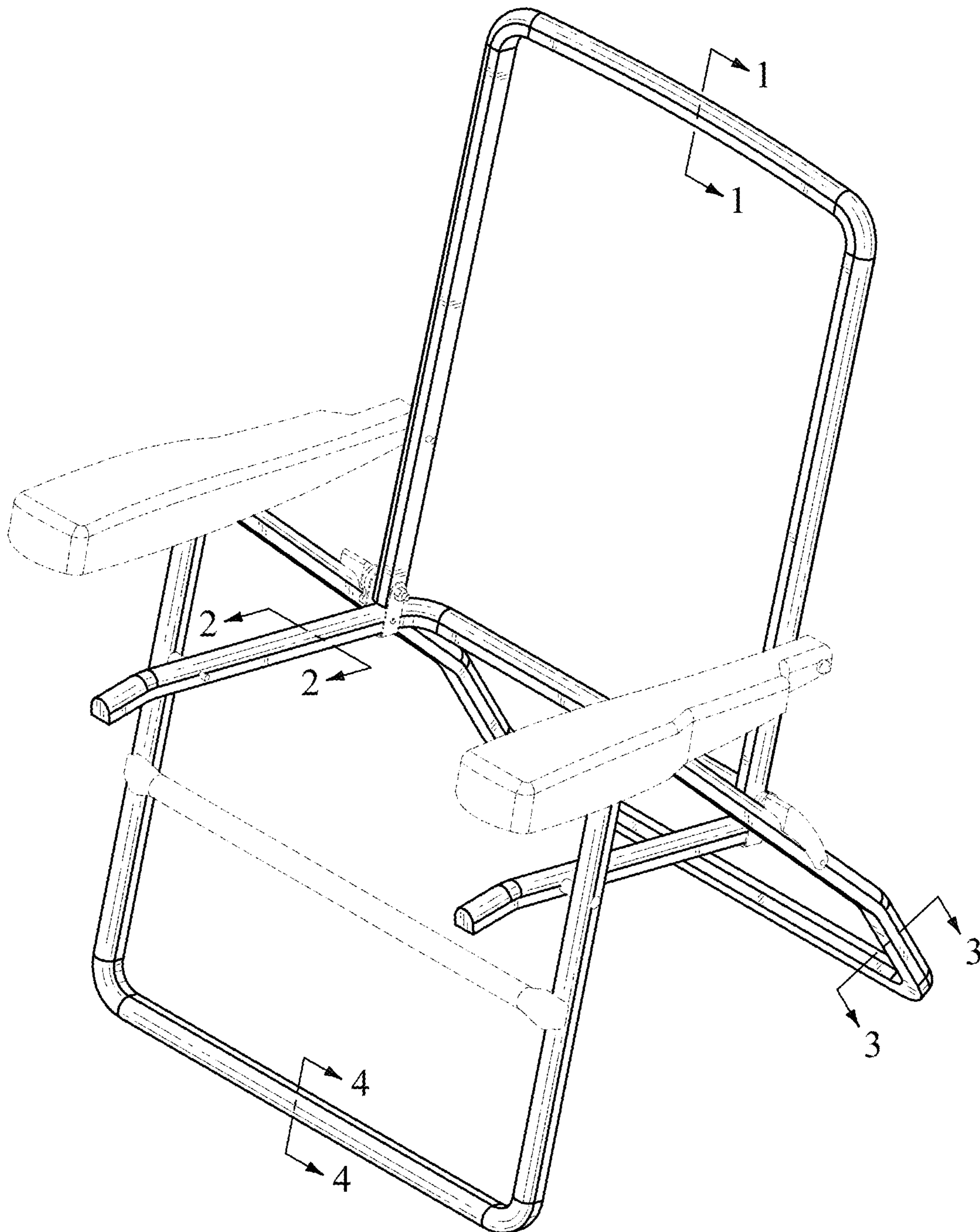


FIG. 19

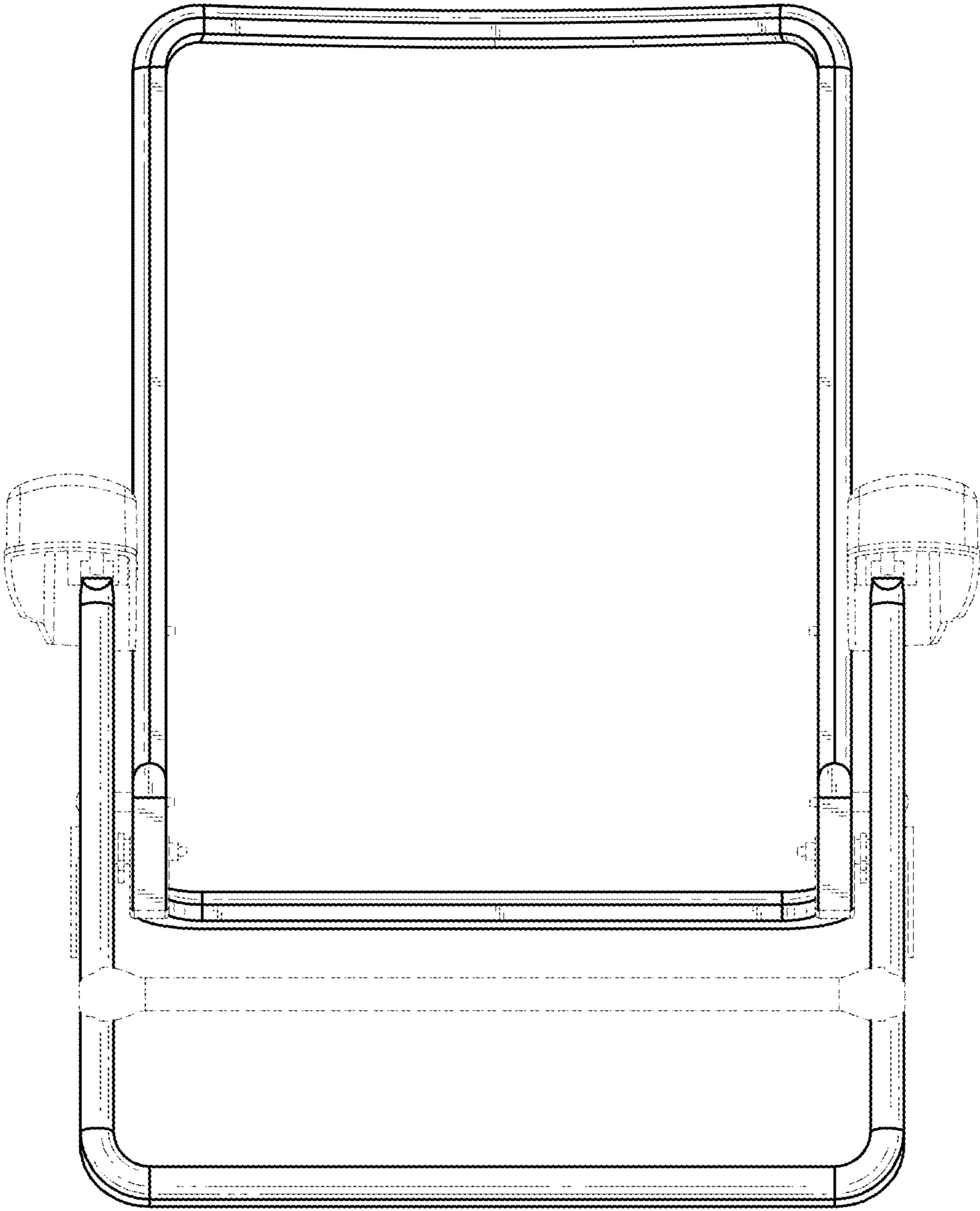
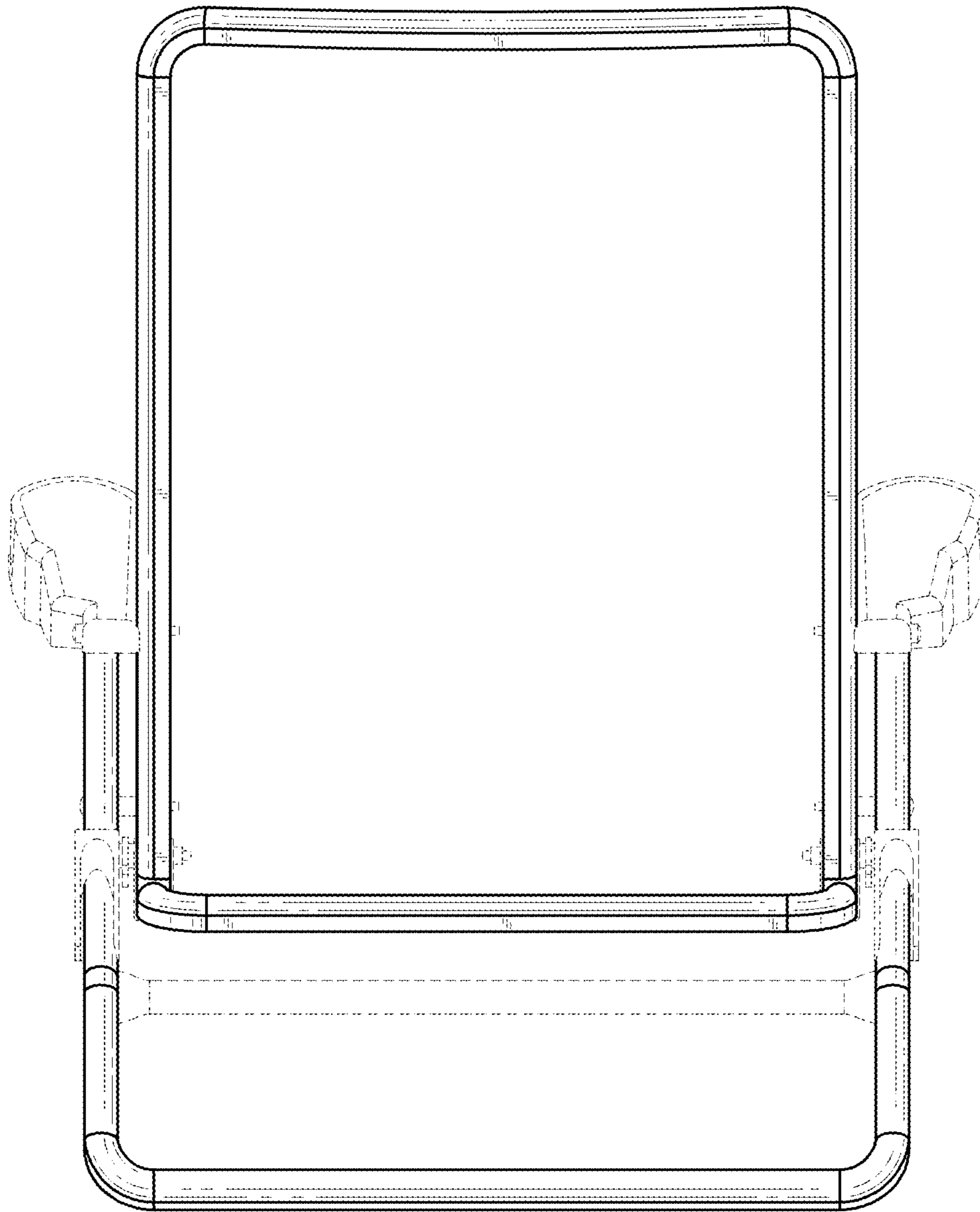
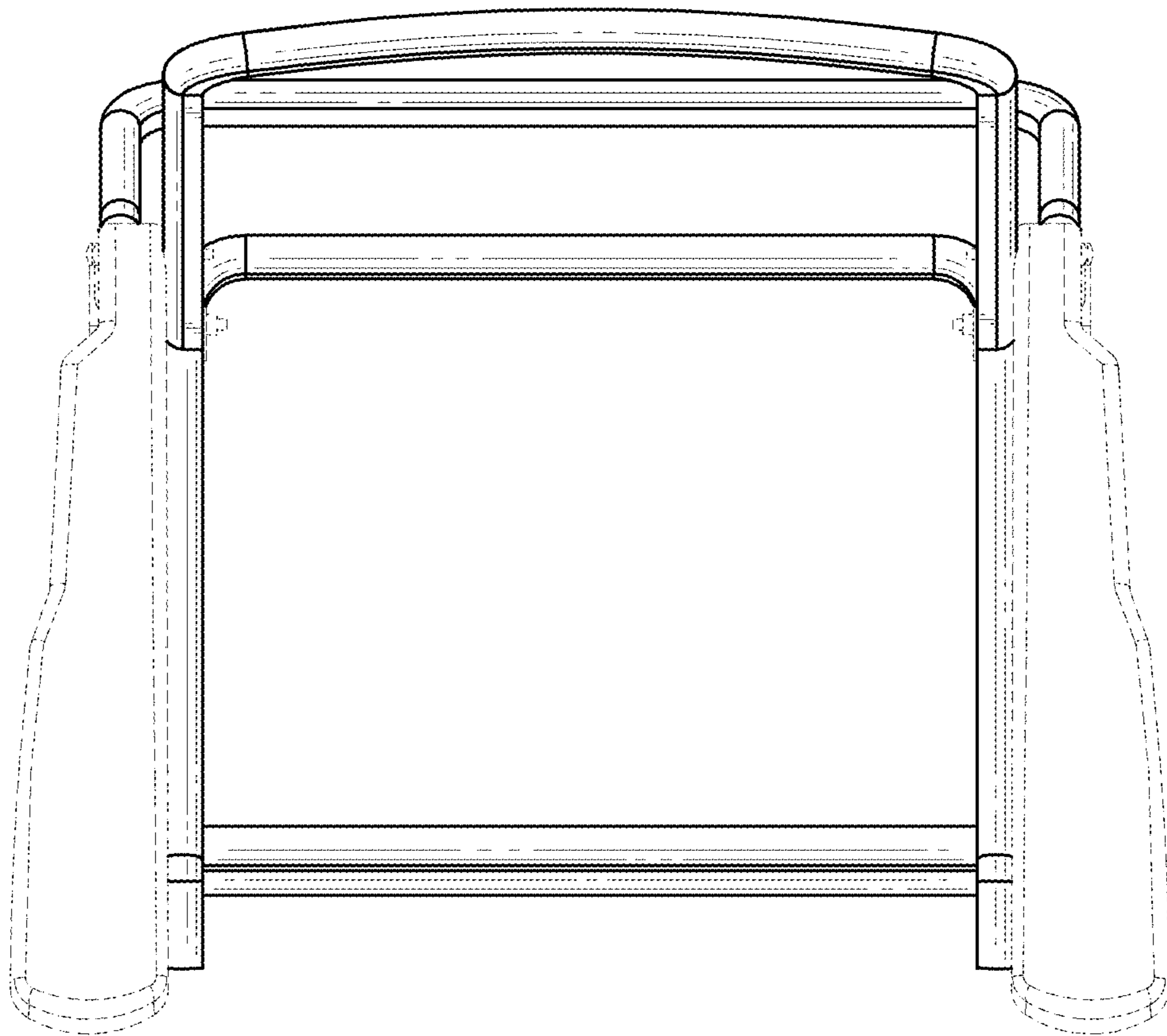


FIG. 20

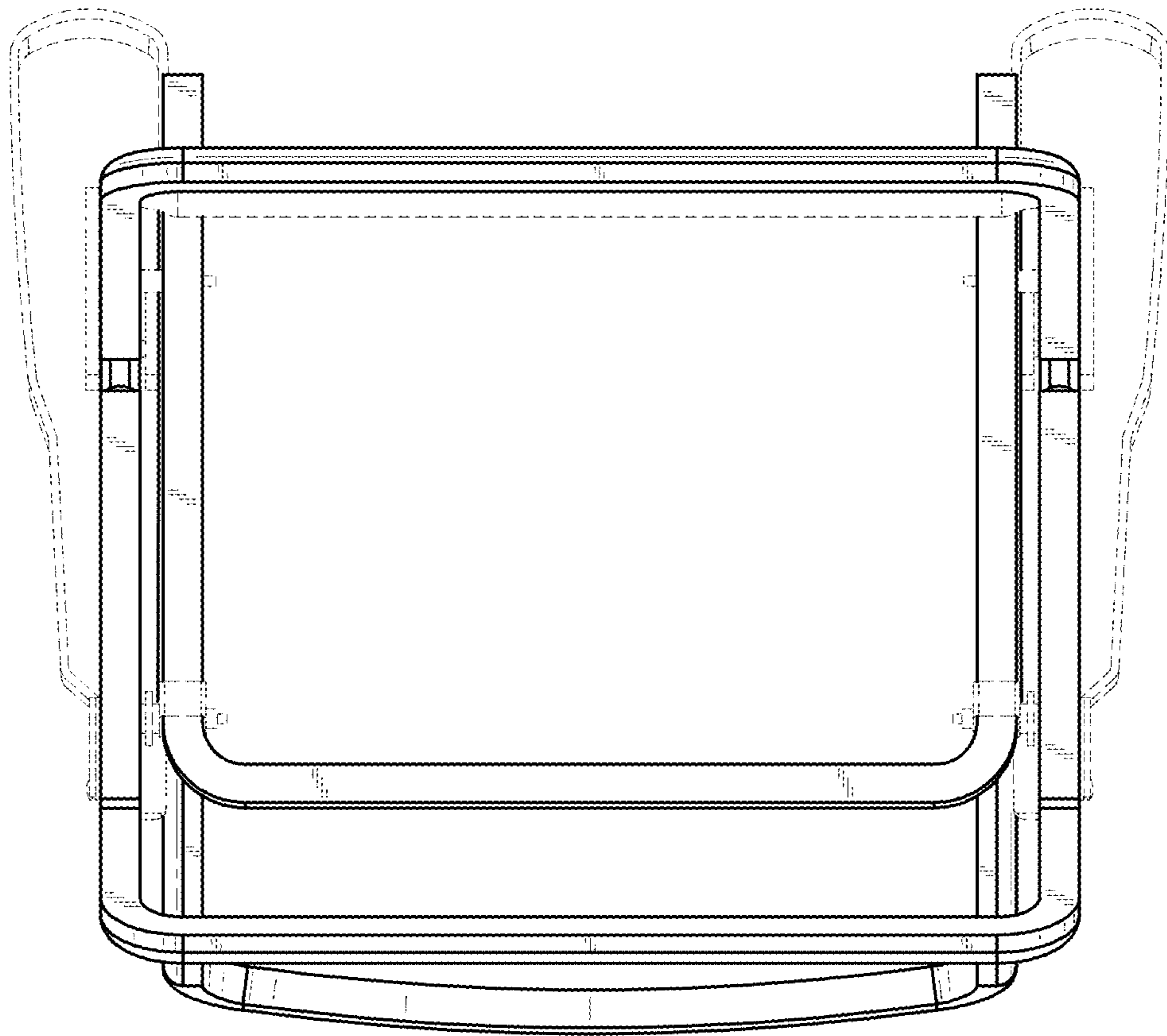


*FIG. 21*

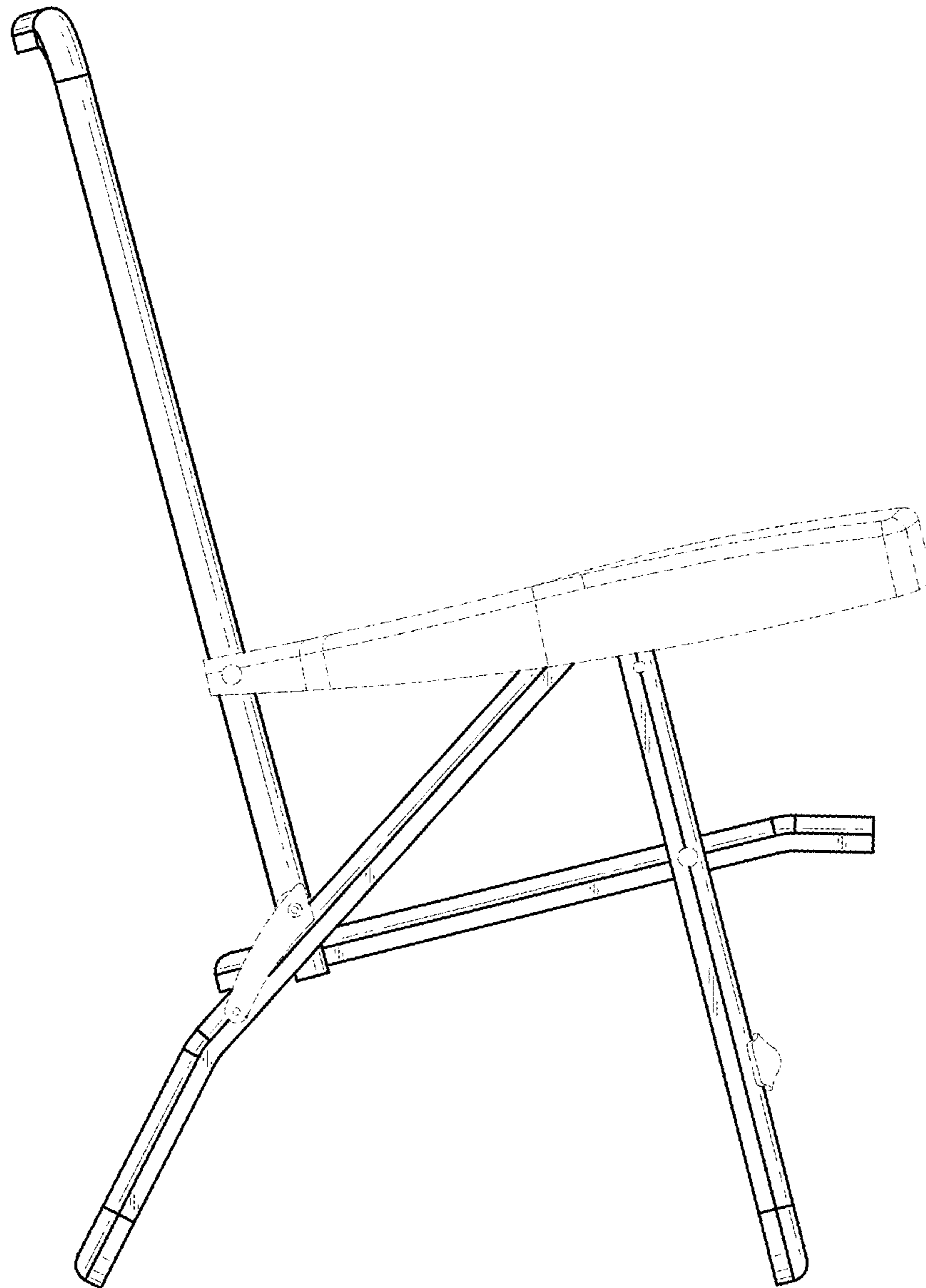


*FIG. 22*

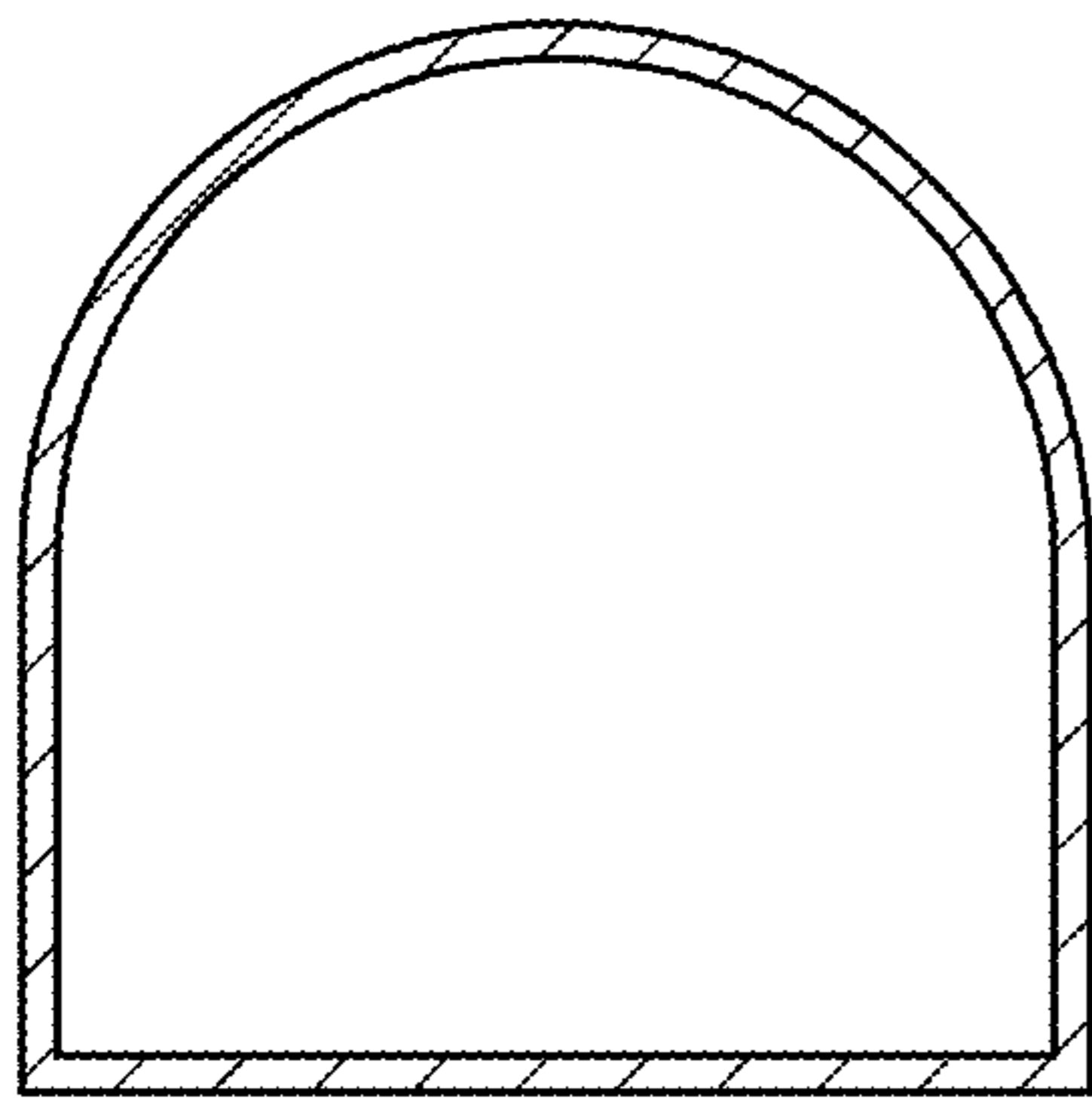




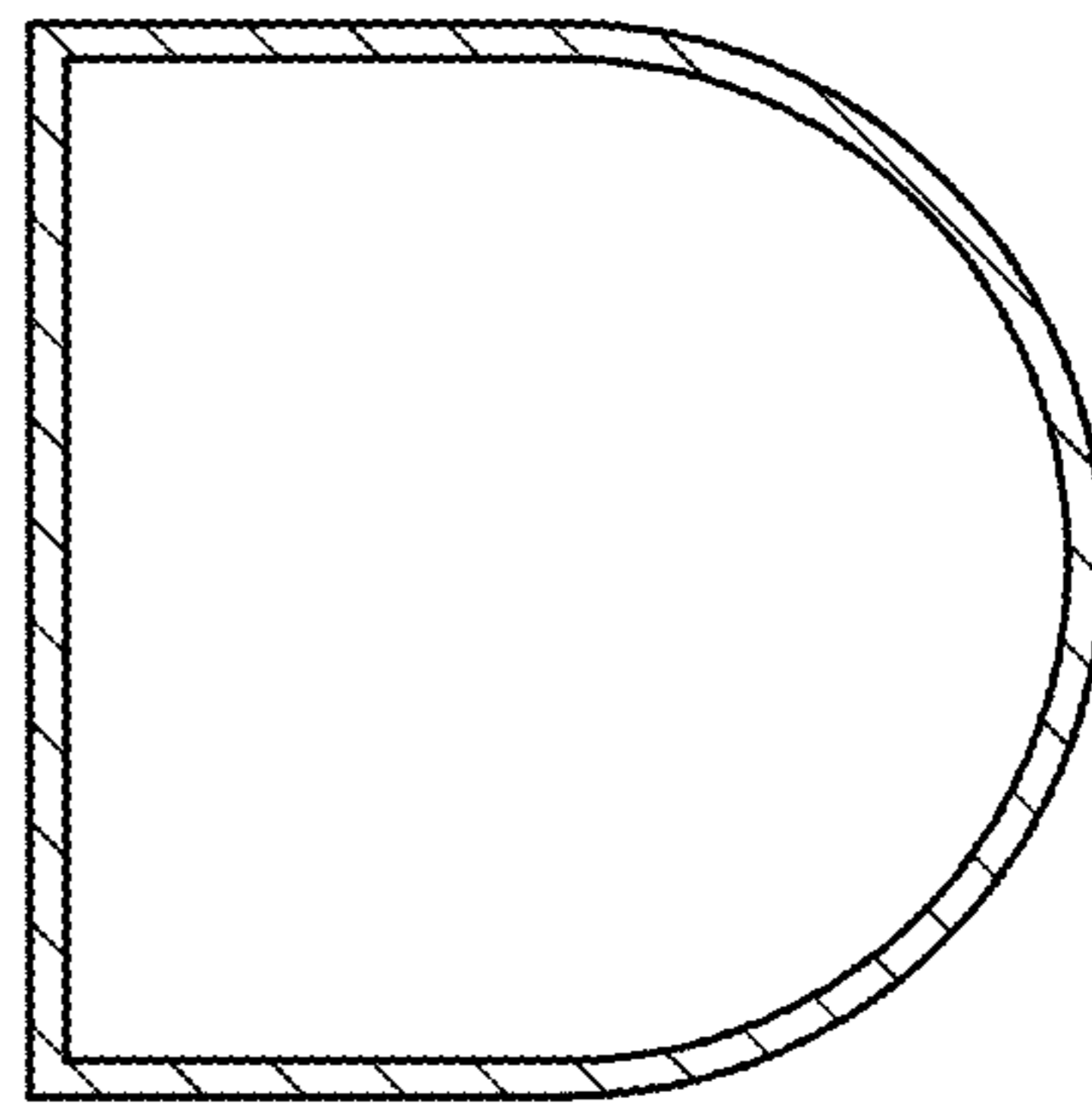
*FIG. 23*



*FIG. 24*



*FIG. 25*



*FIG. 26*

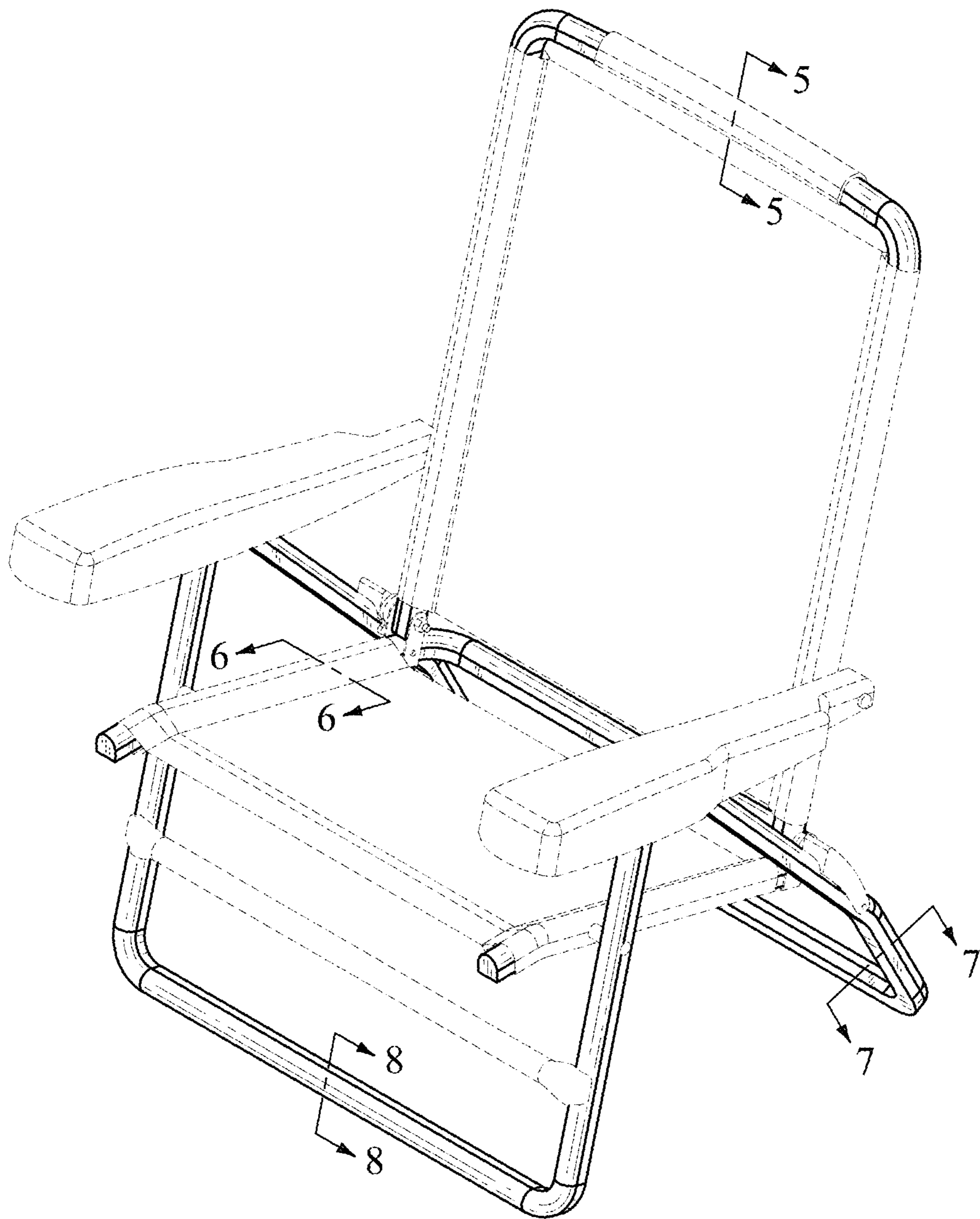


FIG. 27



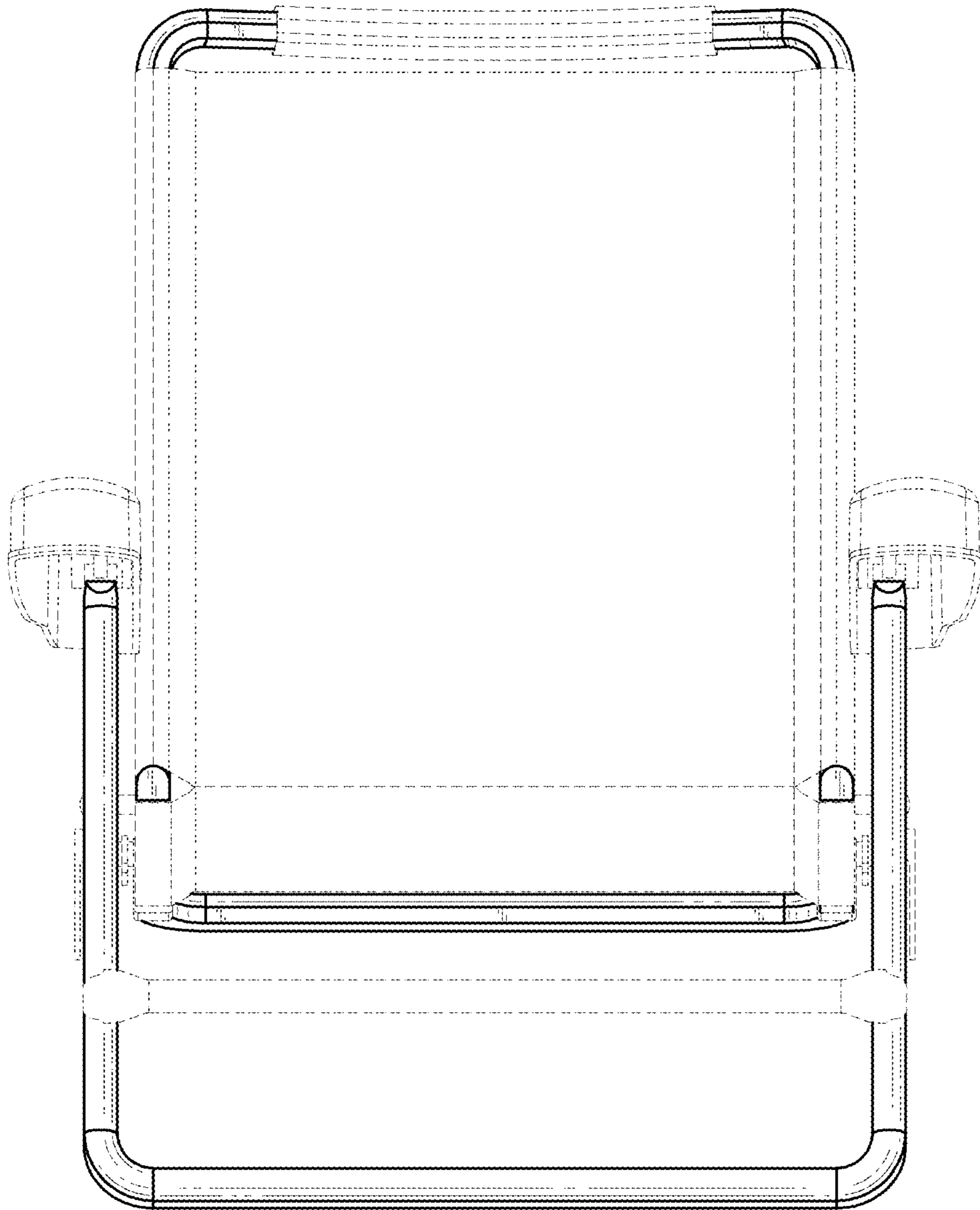
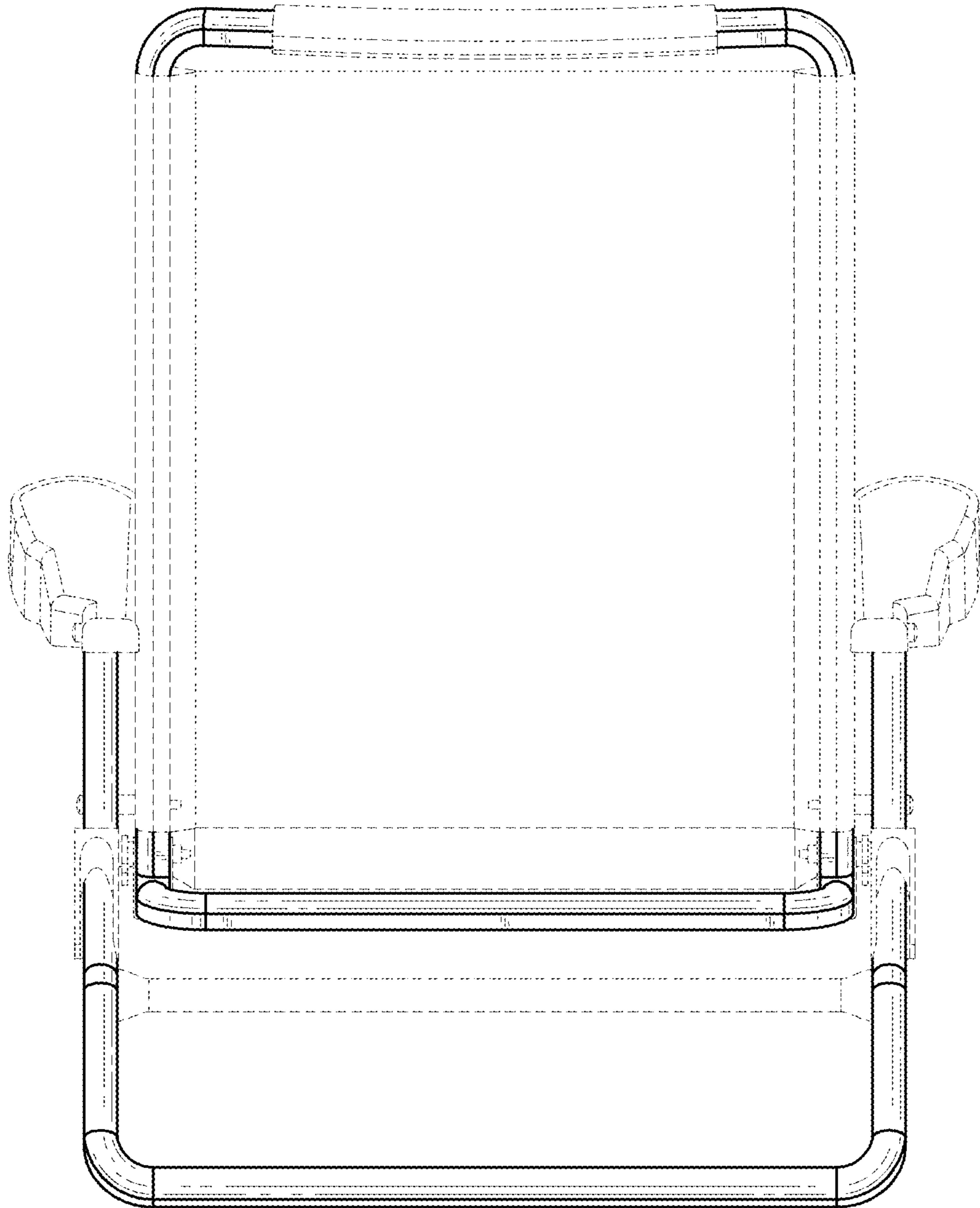
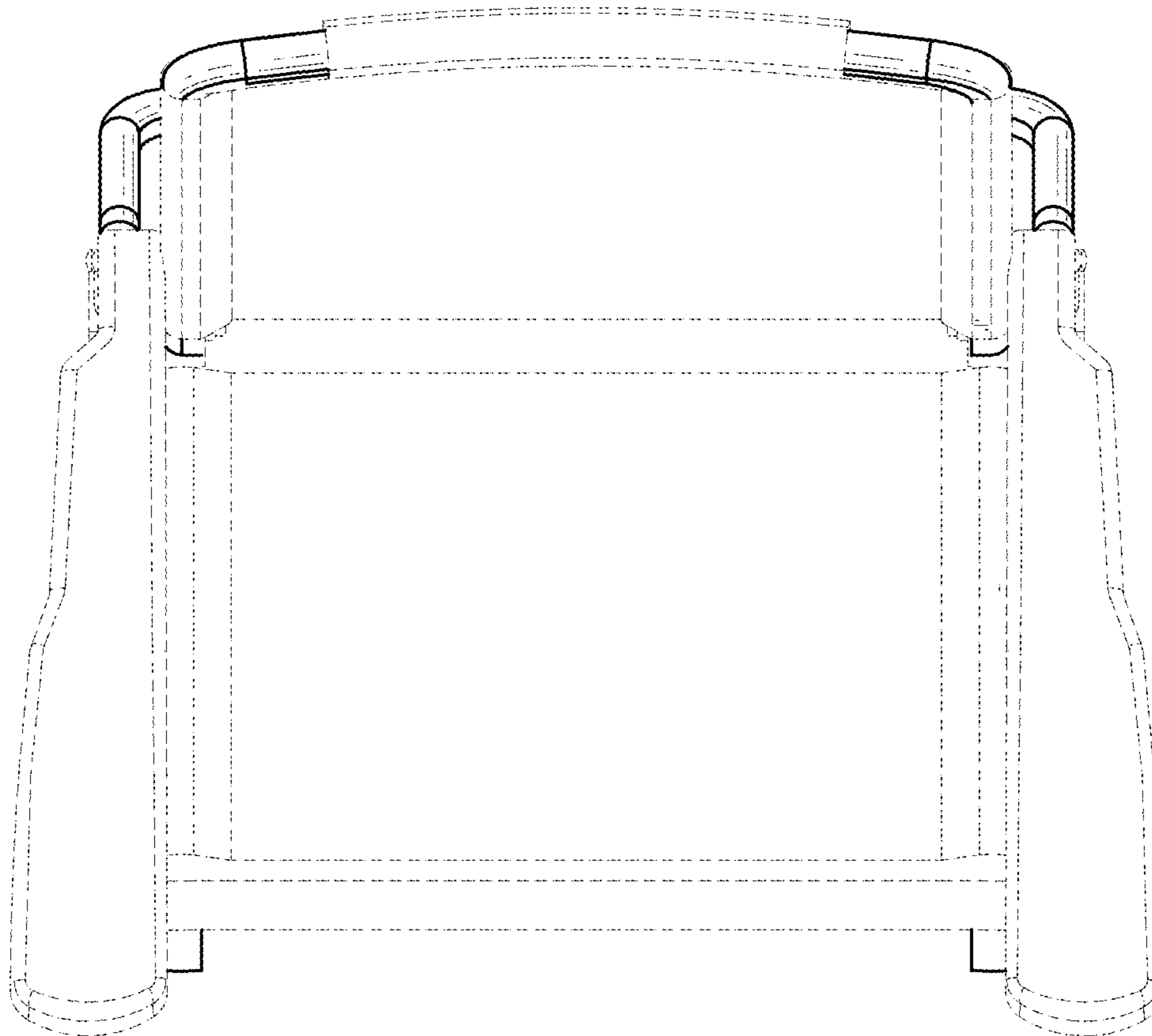


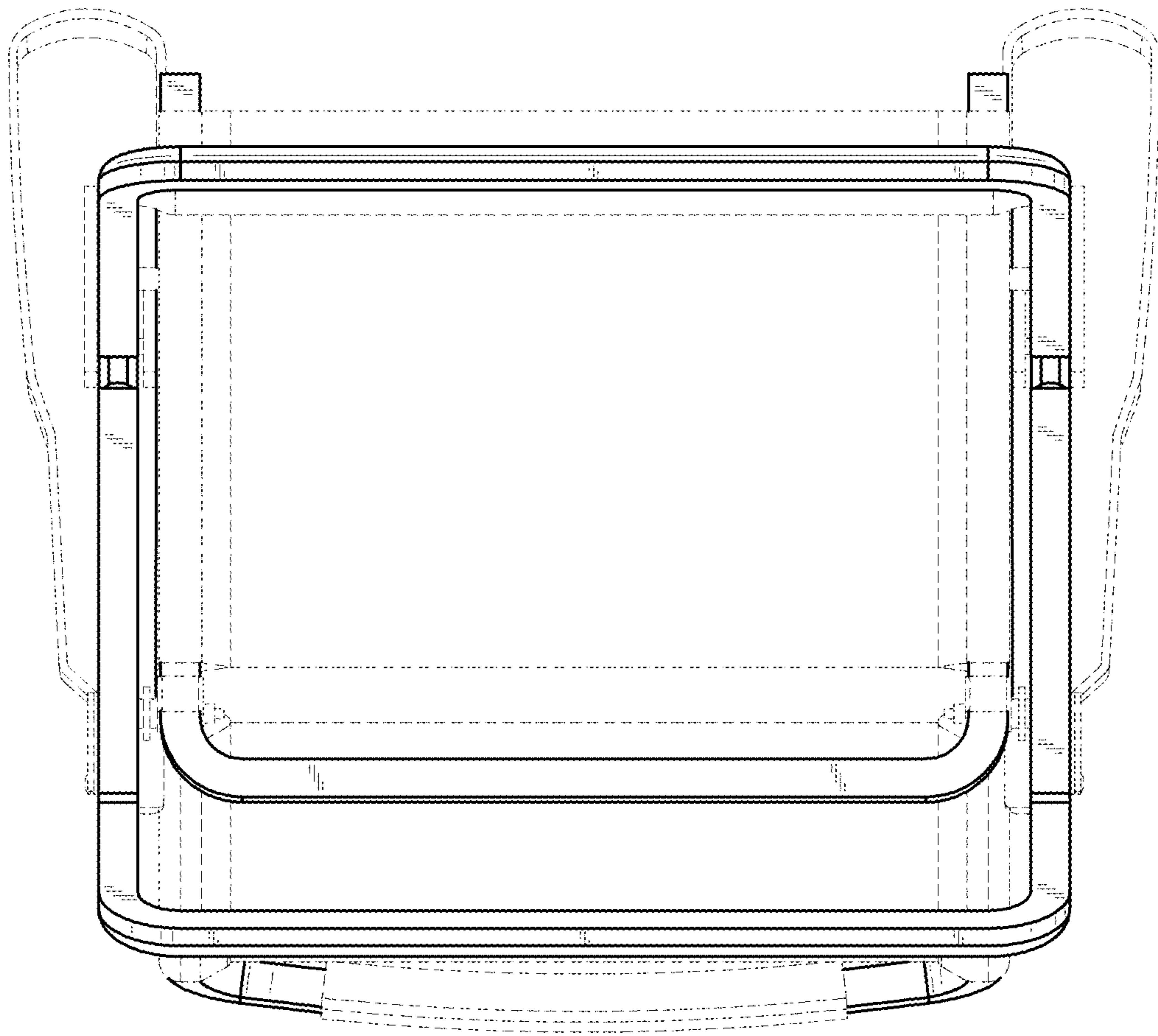
FIG. 28



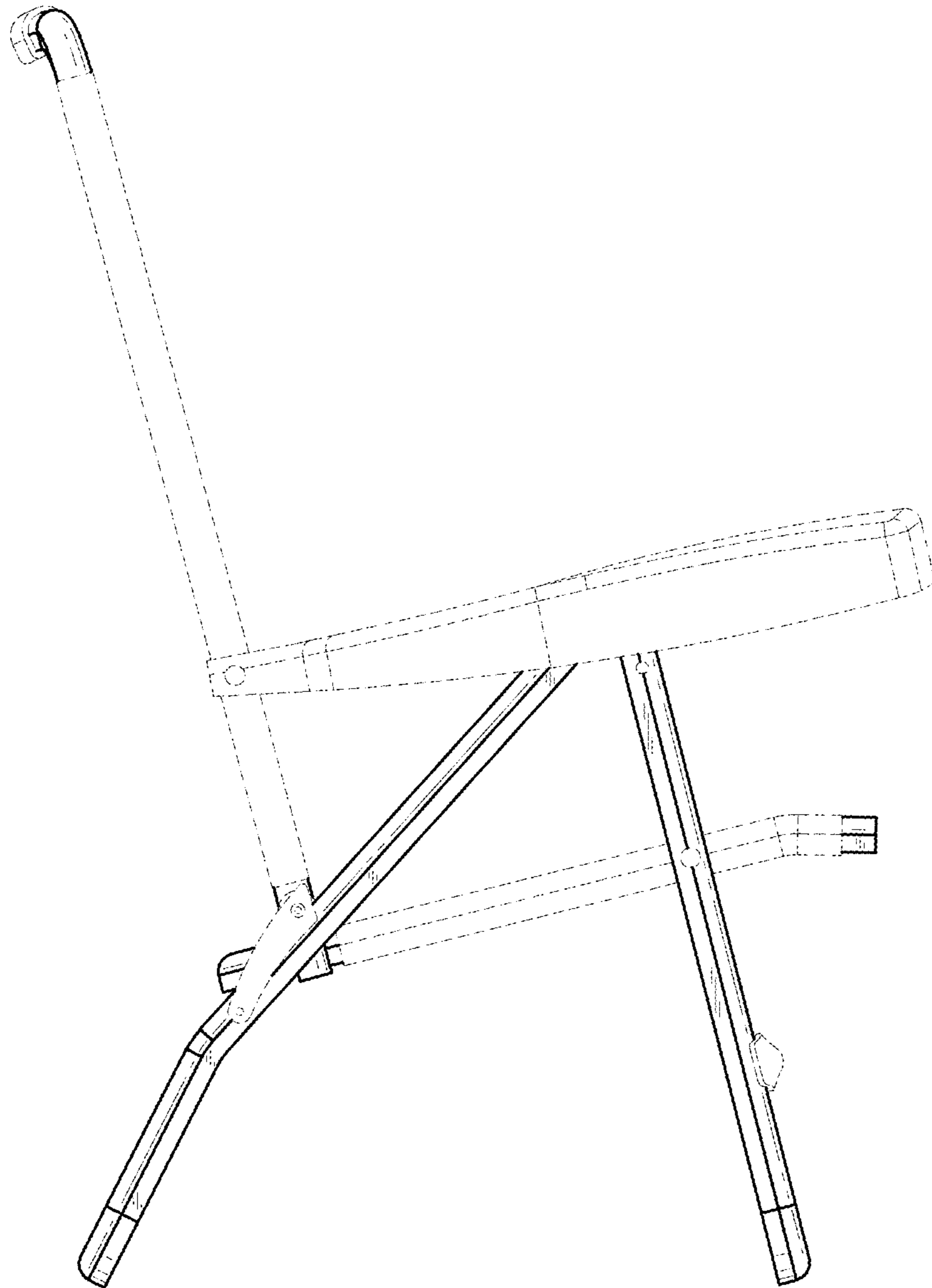
*FIG. 29*



*FIG. 30*



*FIG. 31*



*FIG. 32*

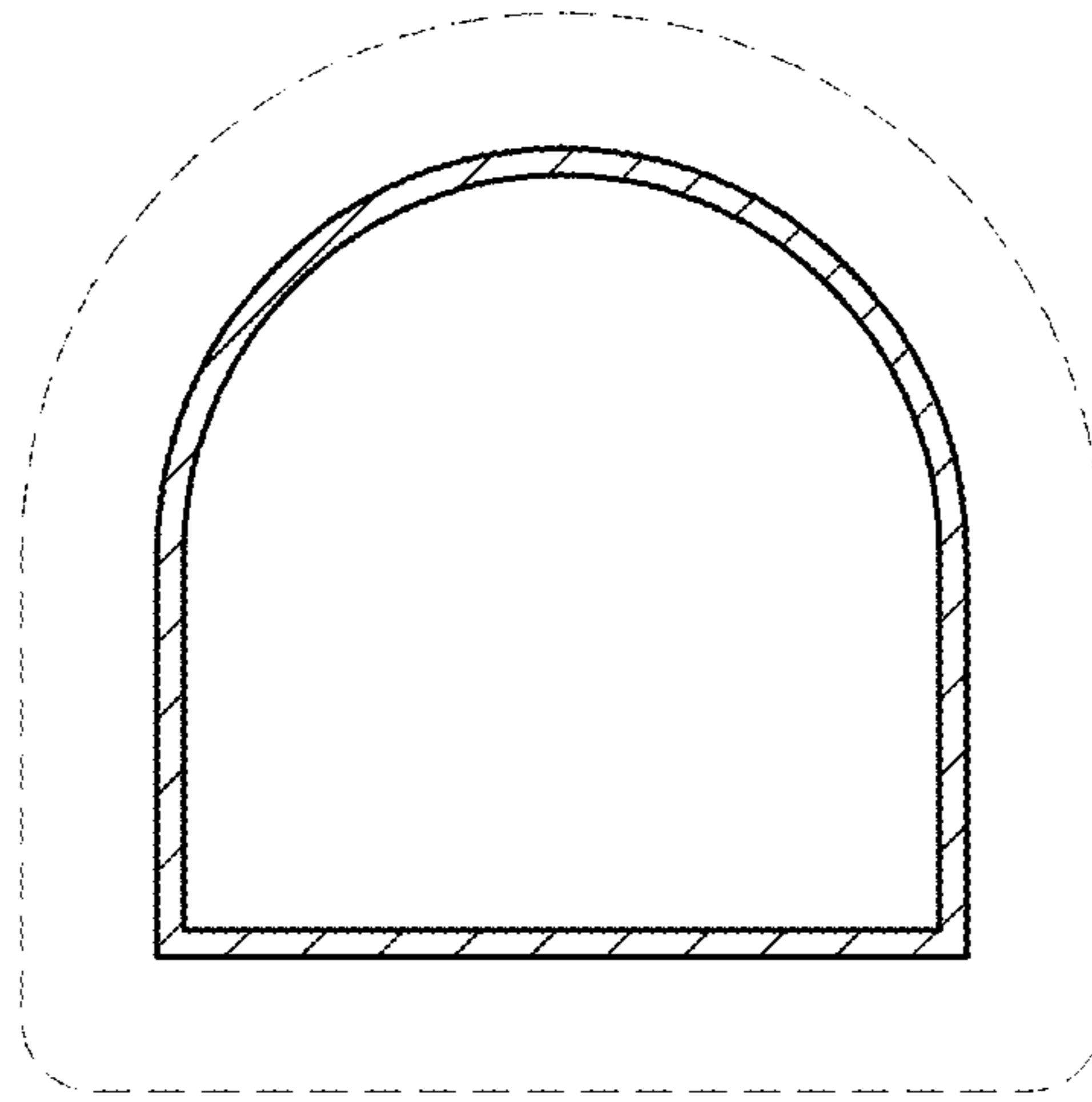


FIG. 33

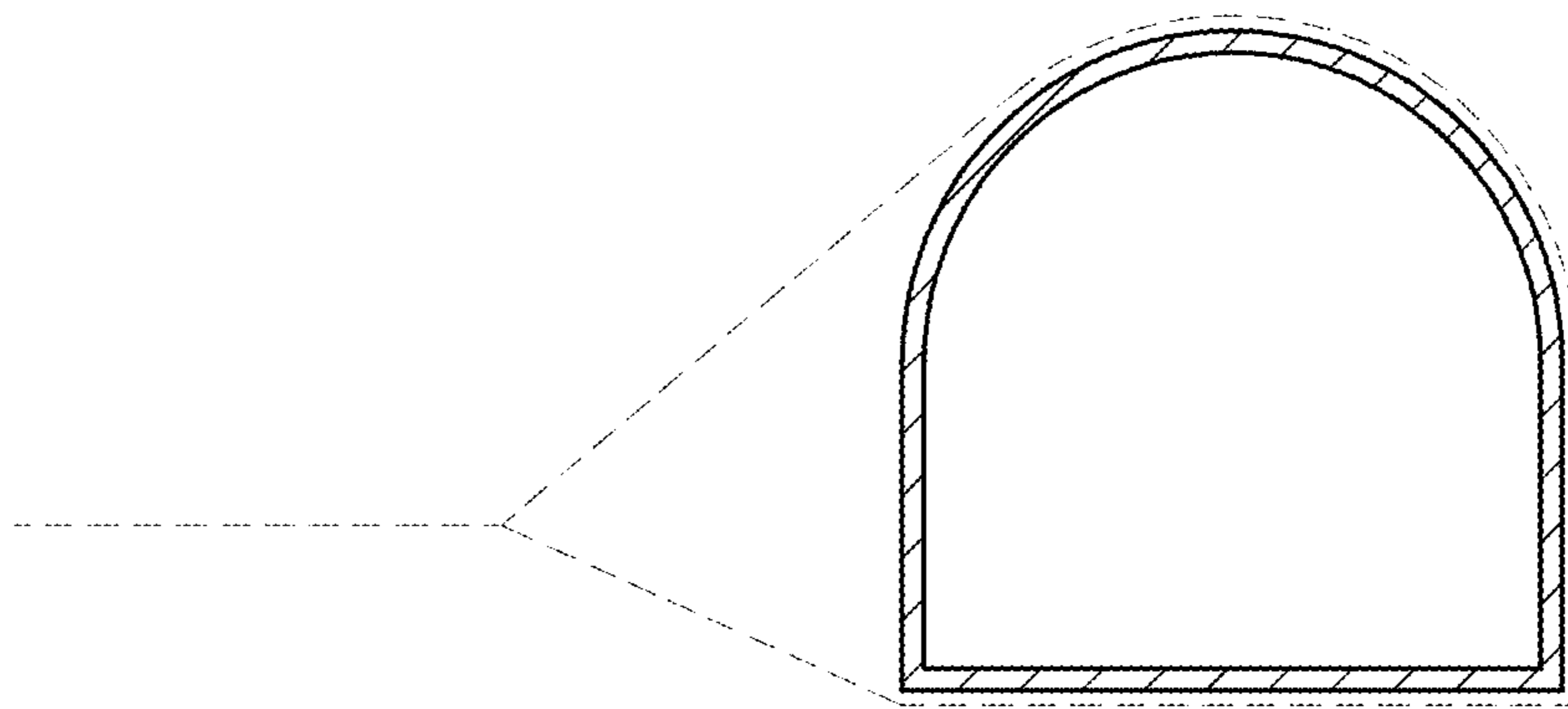


FIG. 34

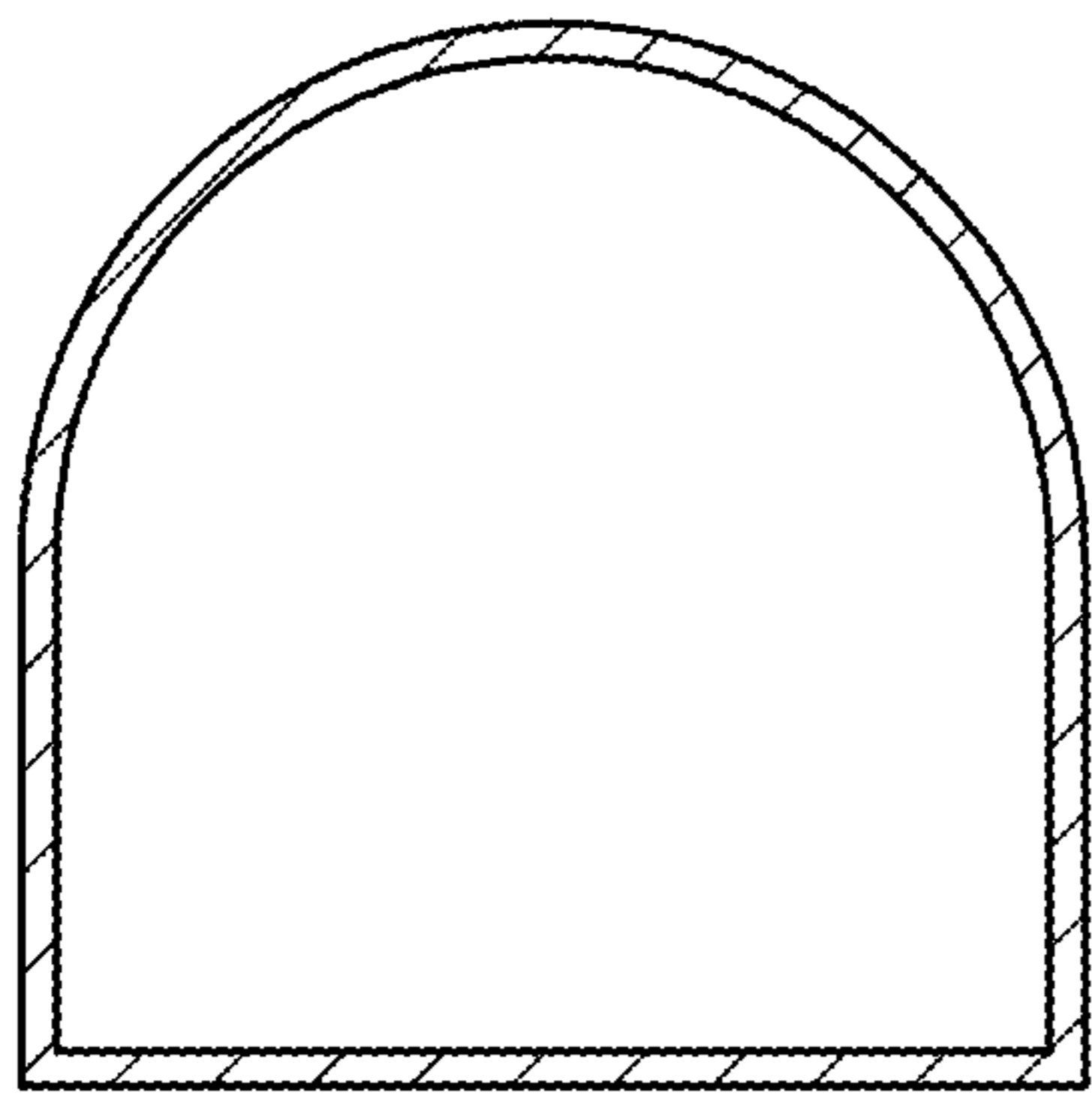


FIG. 35

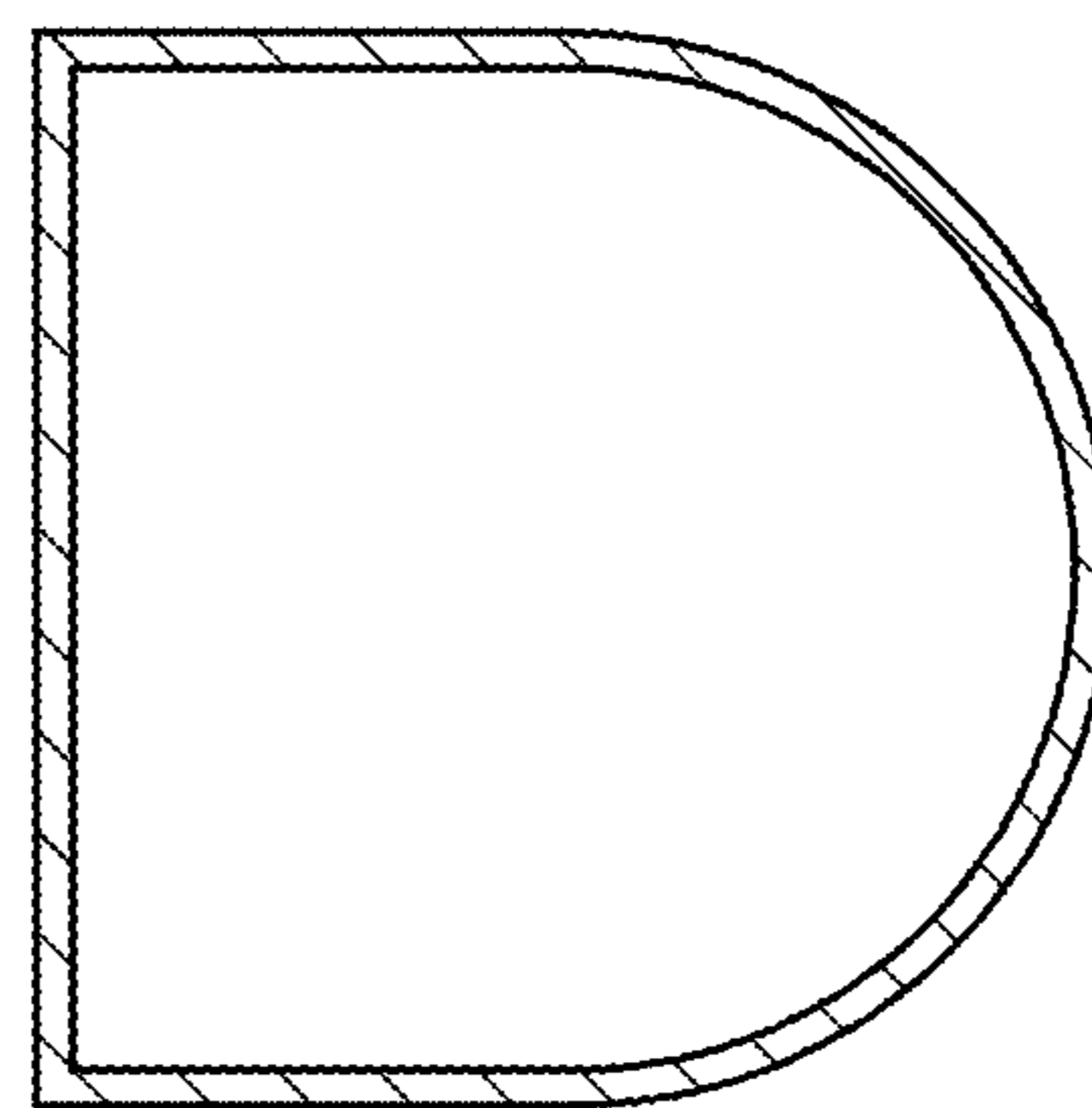


FIG. 36



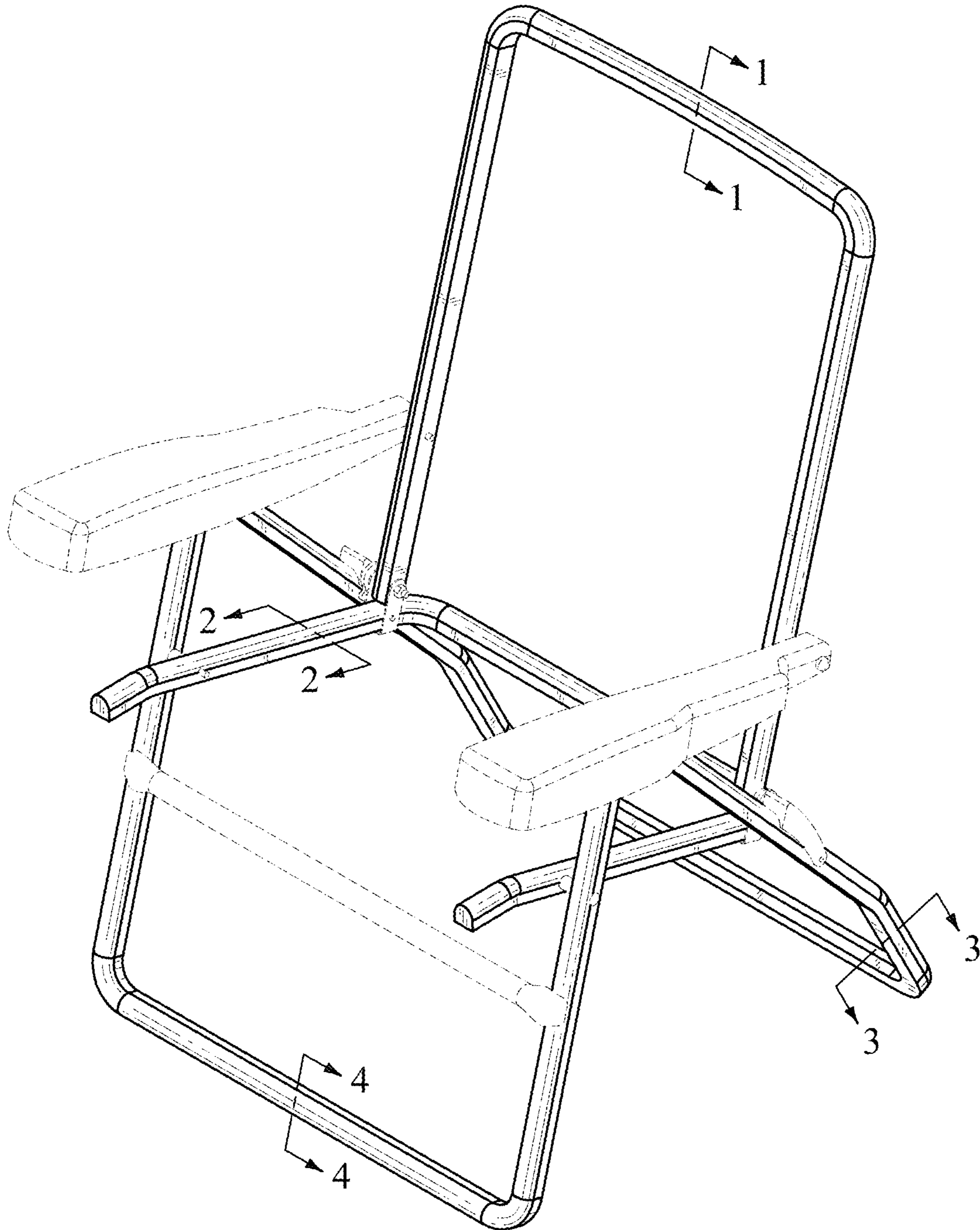


FIG. 37

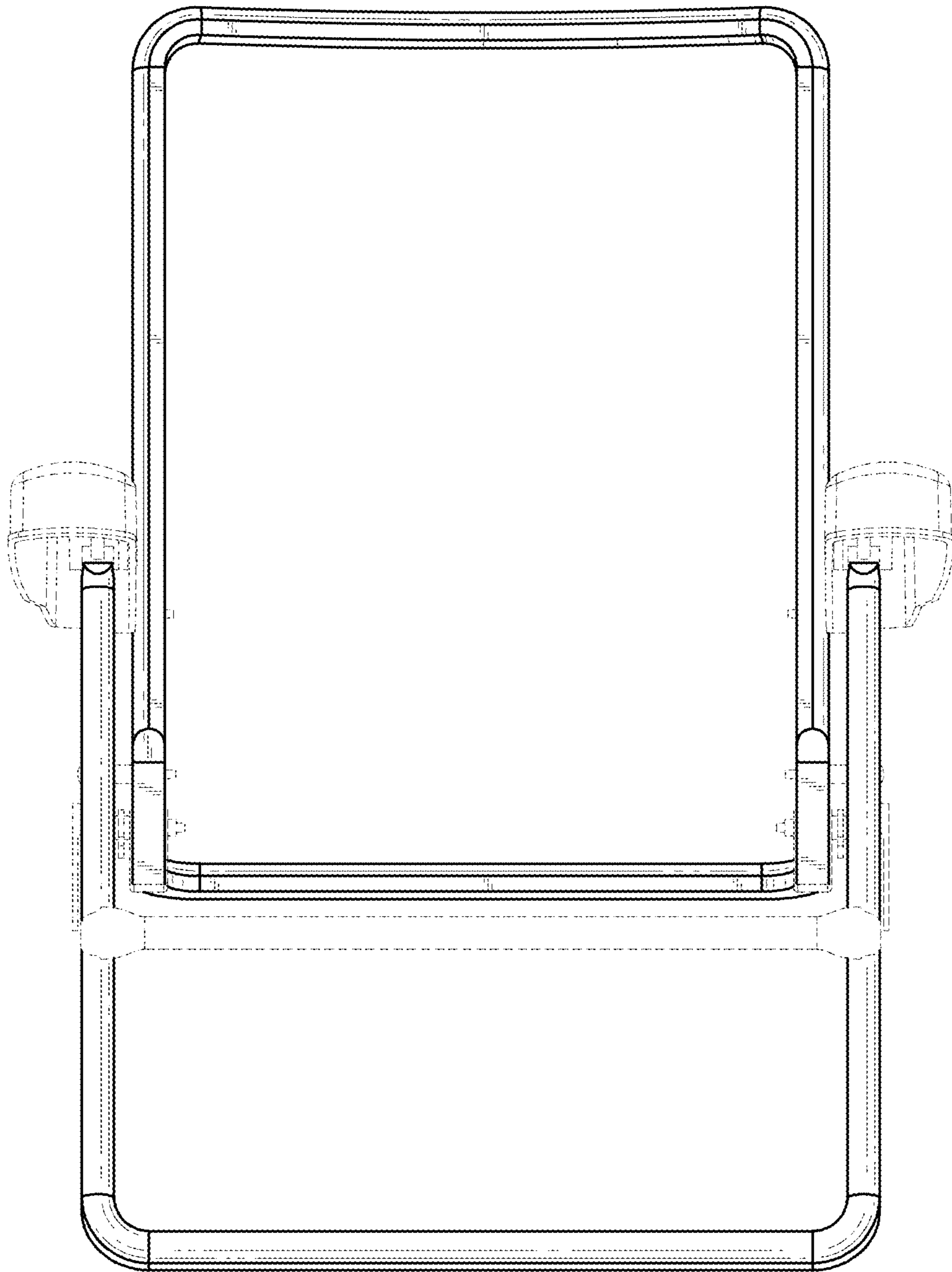
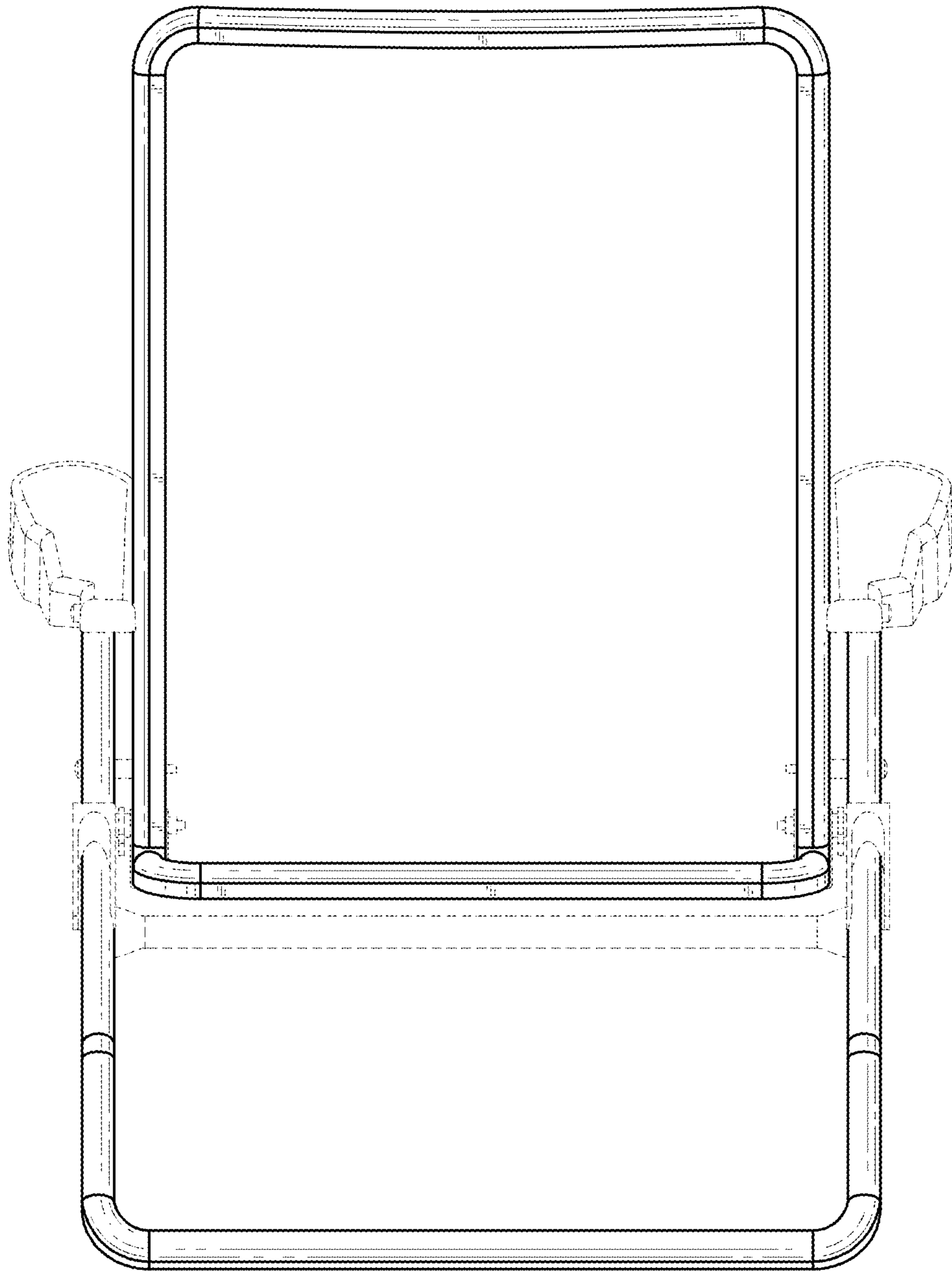
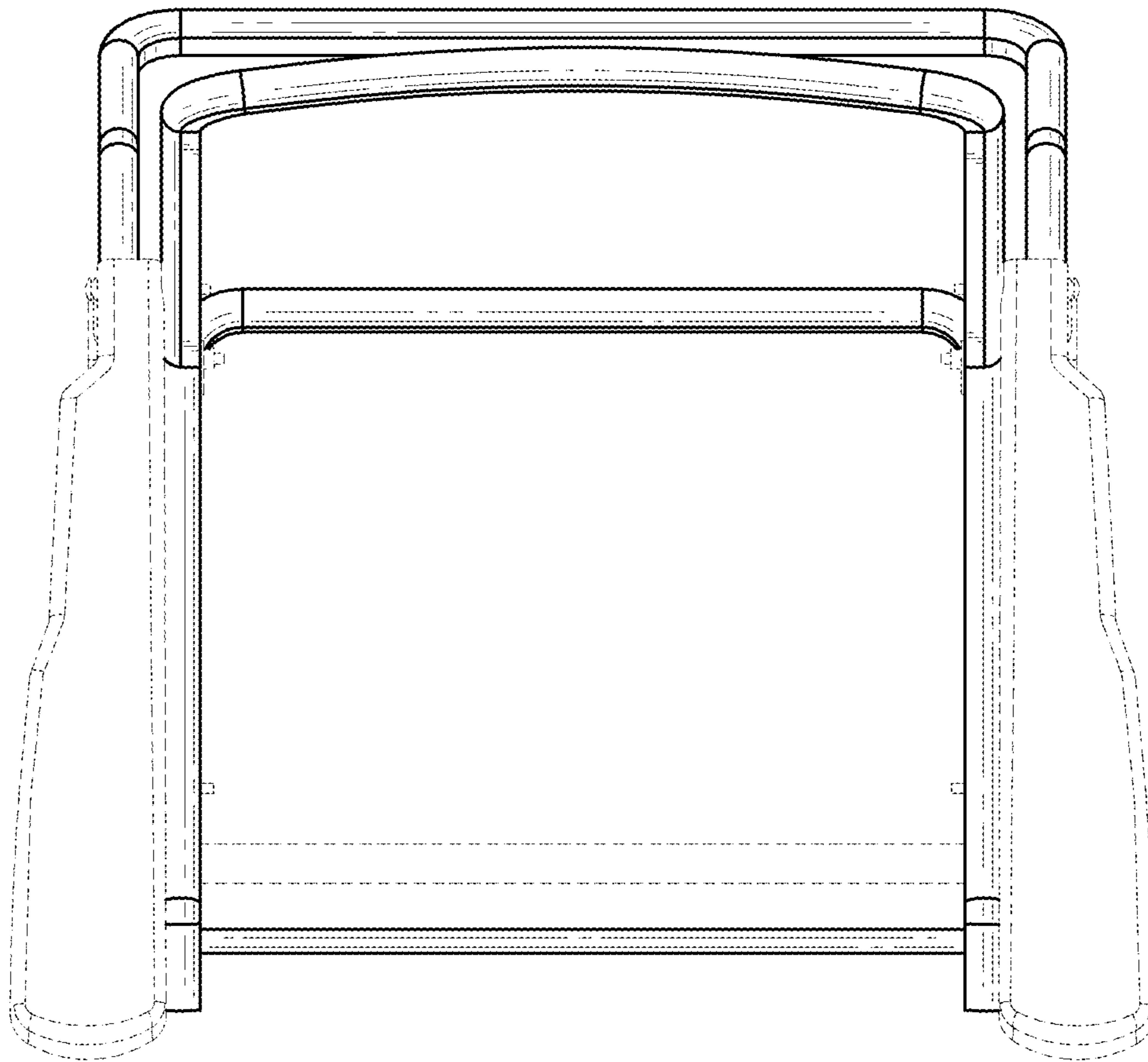


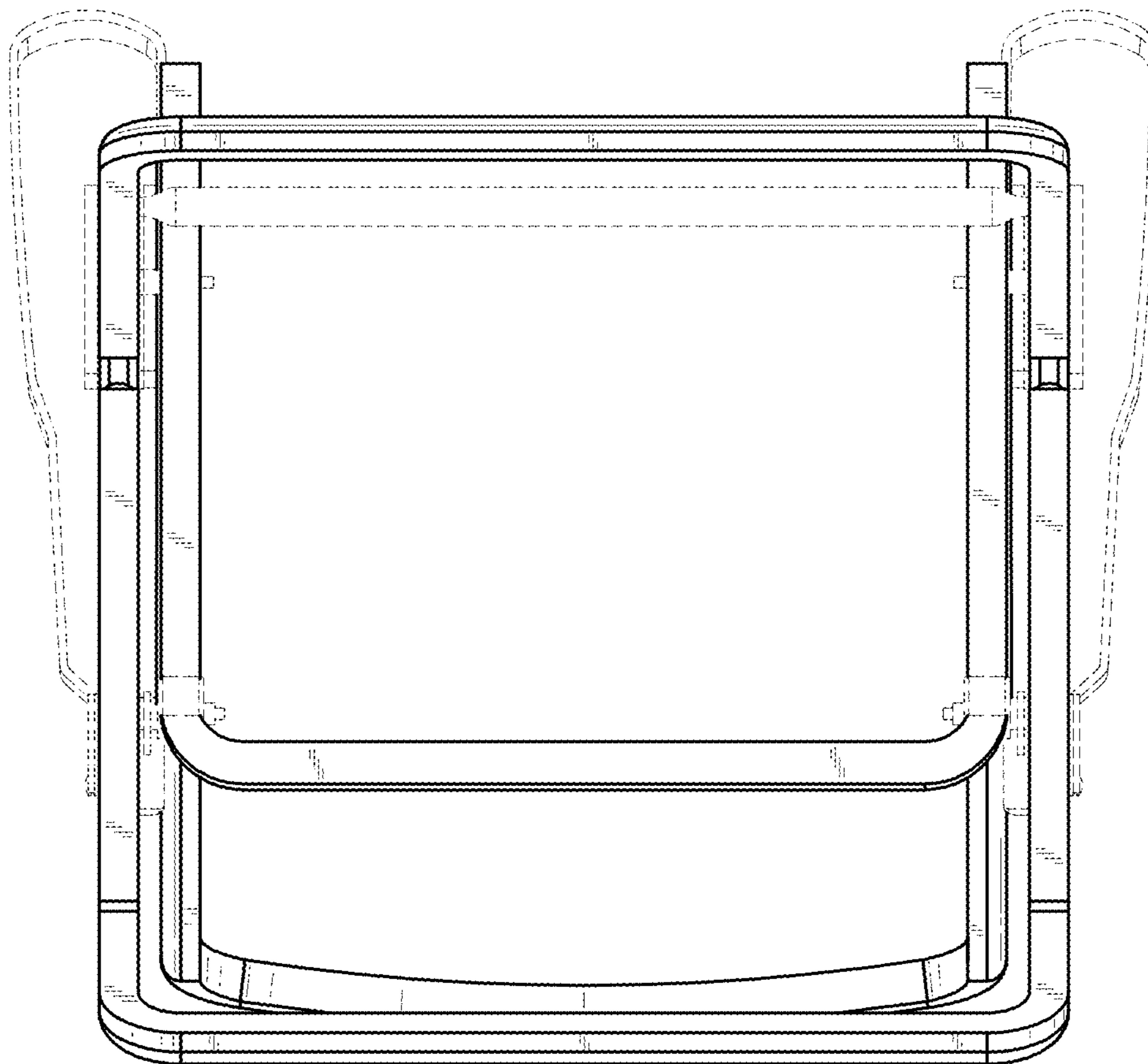
FIG. 38



*FIG. 39*



*FIG. 40*



*FIG. 41*

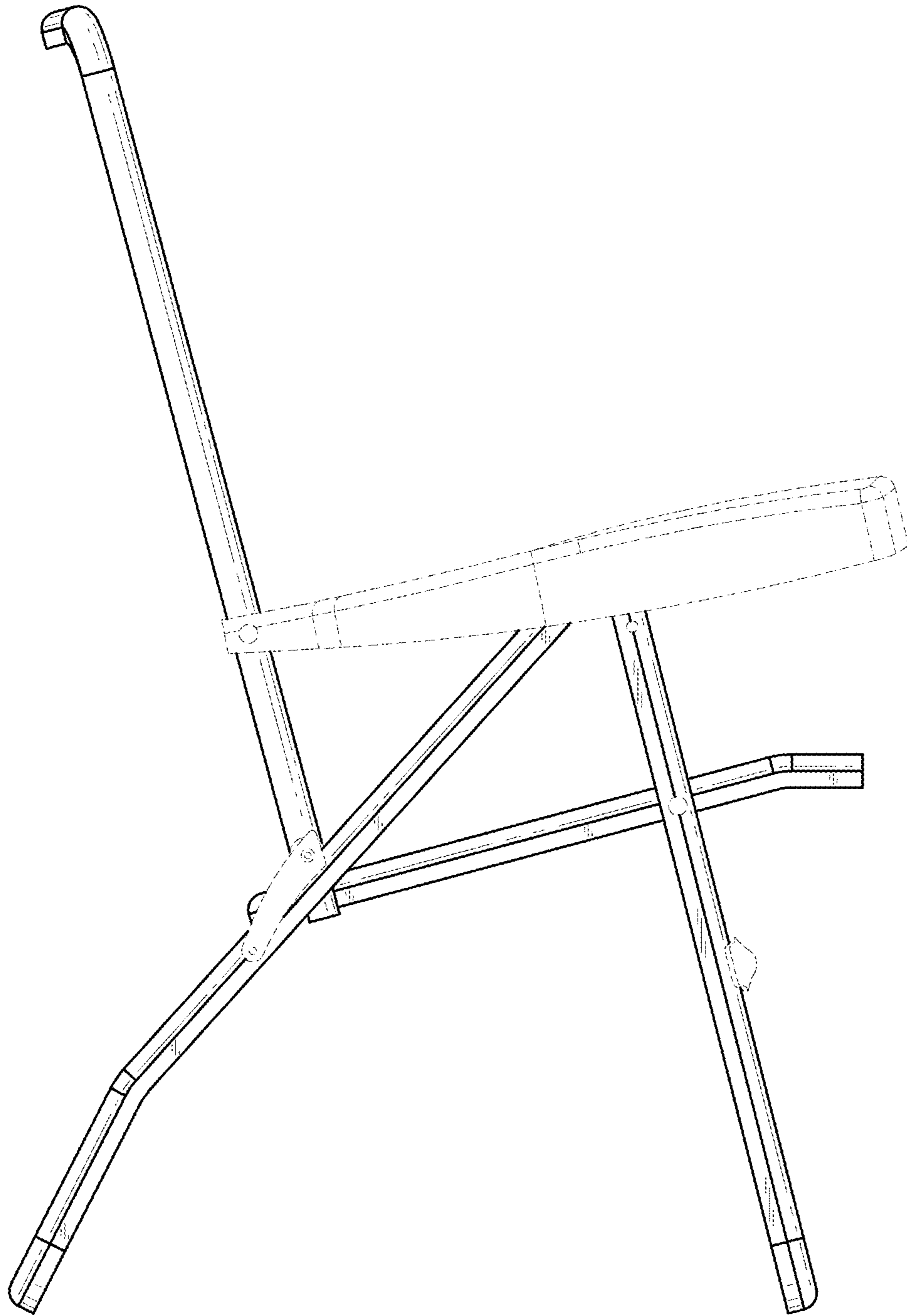
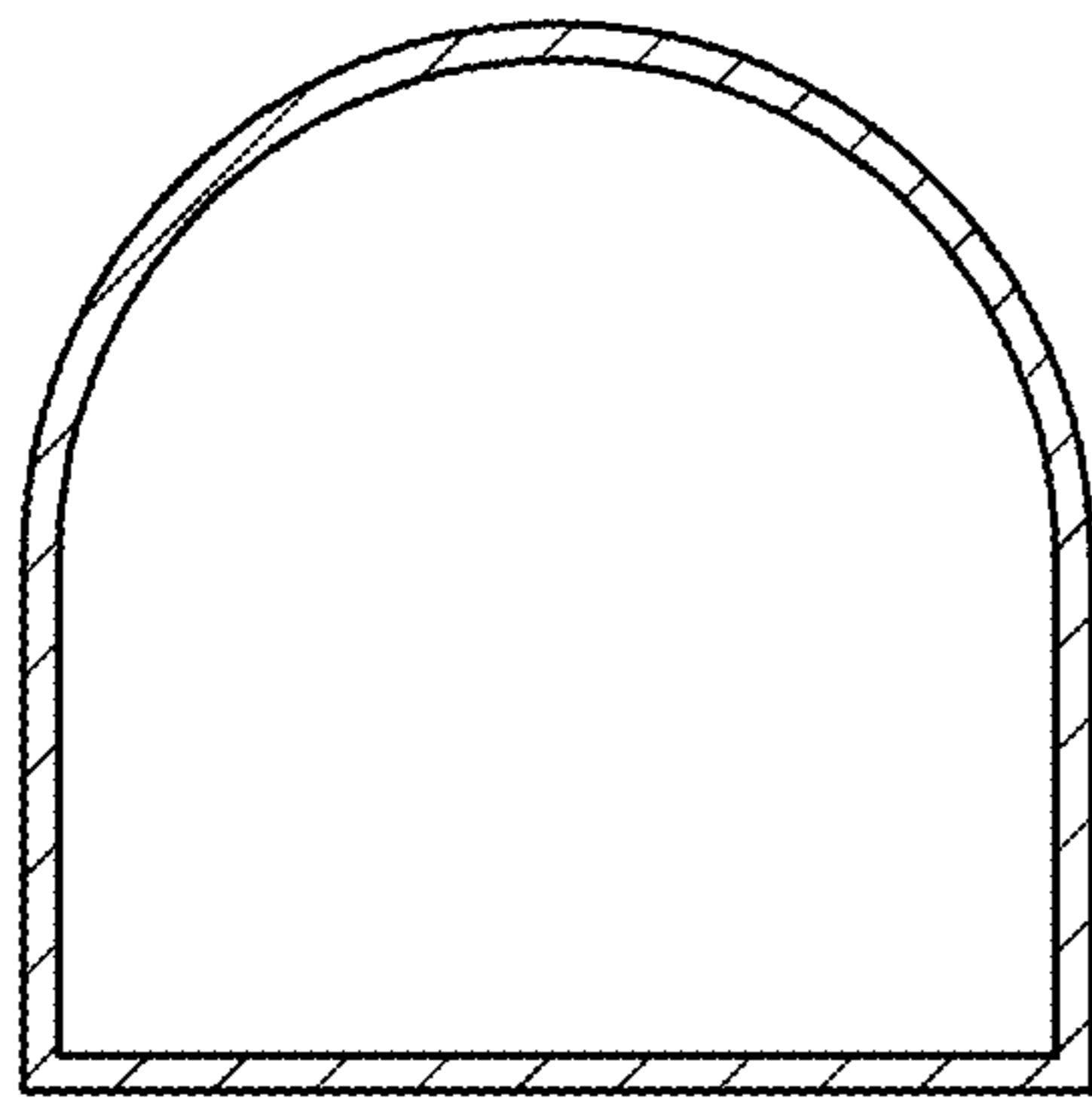
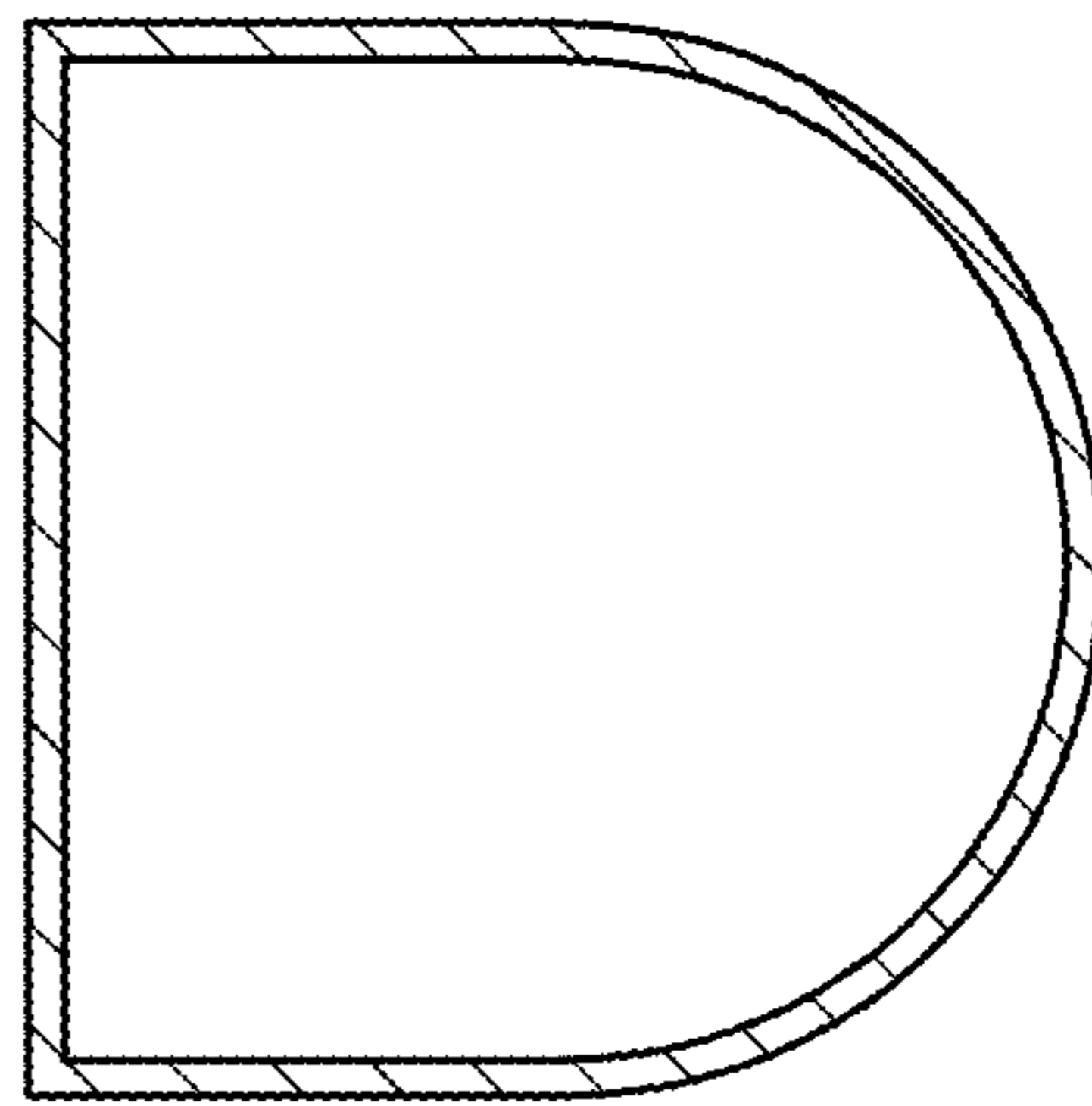


FIG. 42





*FIG. 43*



*FIG. 44*

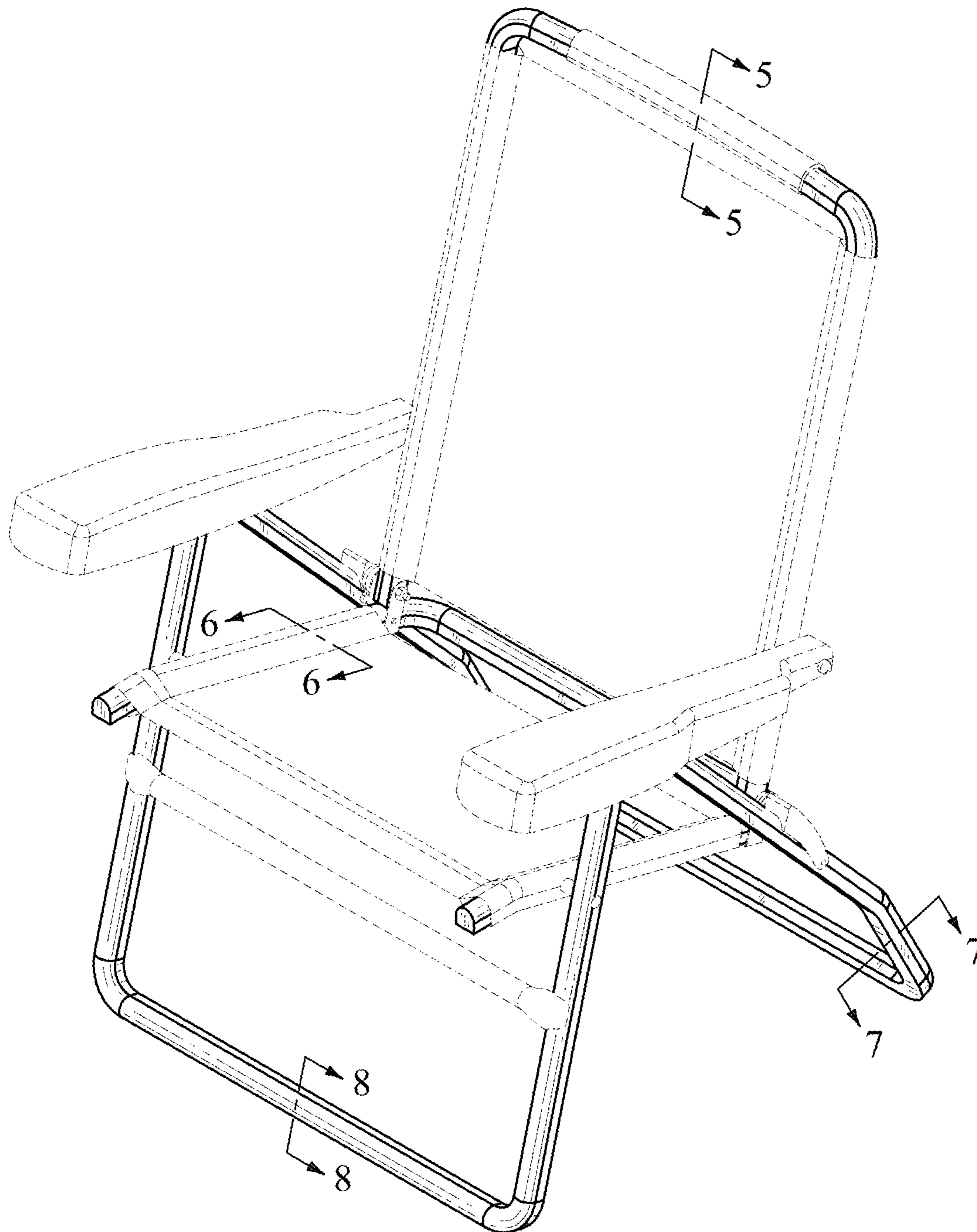


FIG. 45

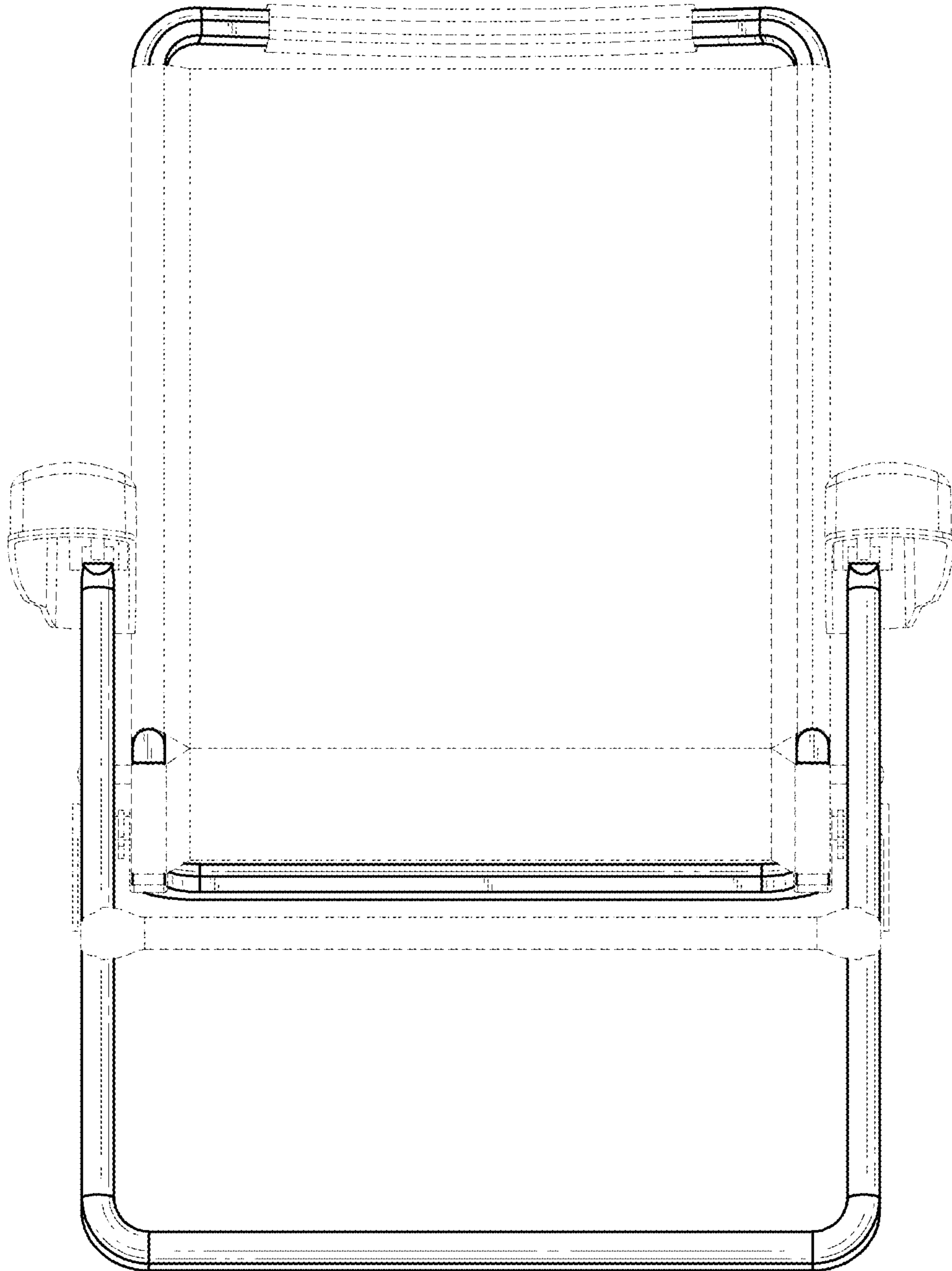


FIG. 46

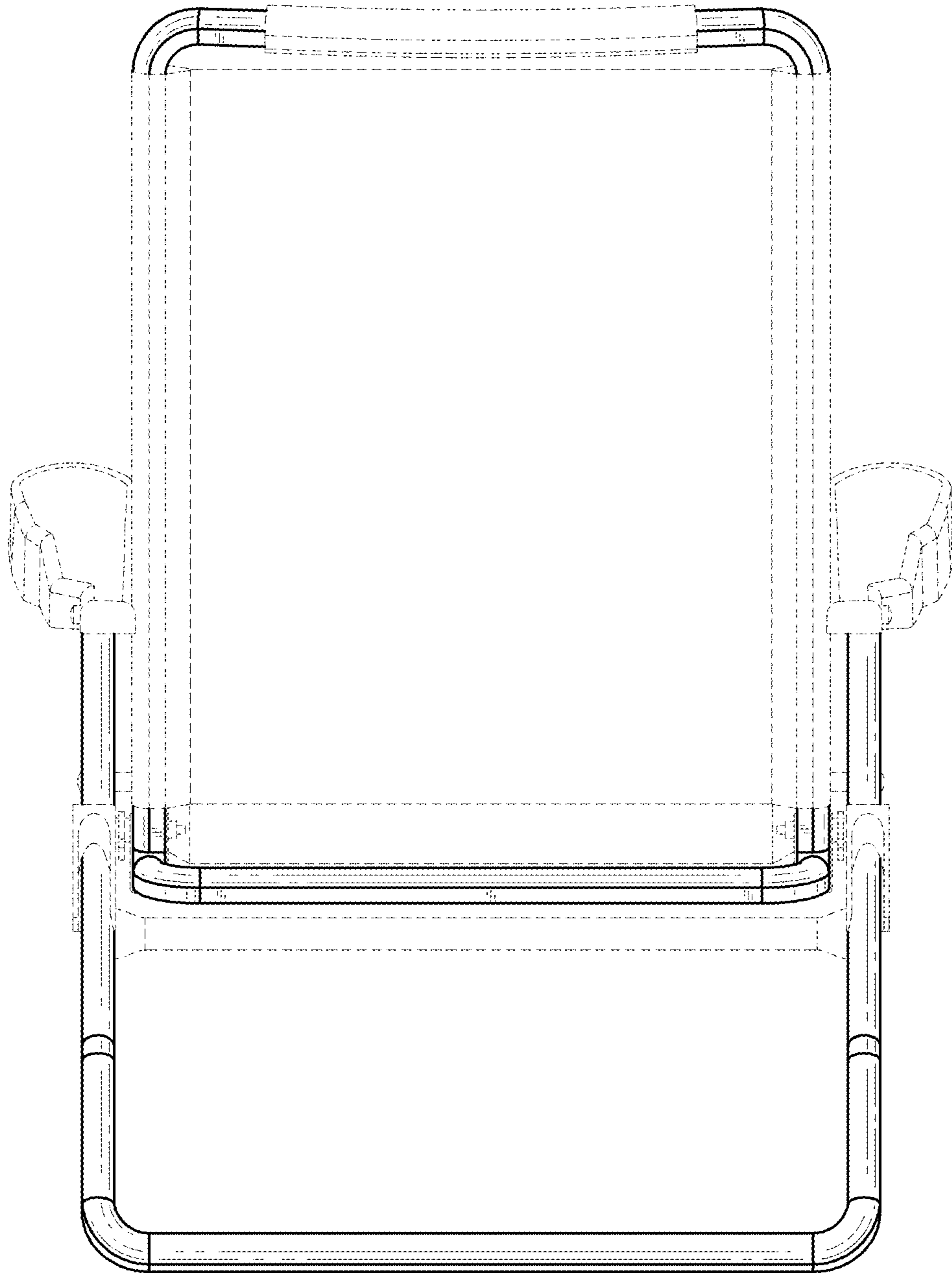
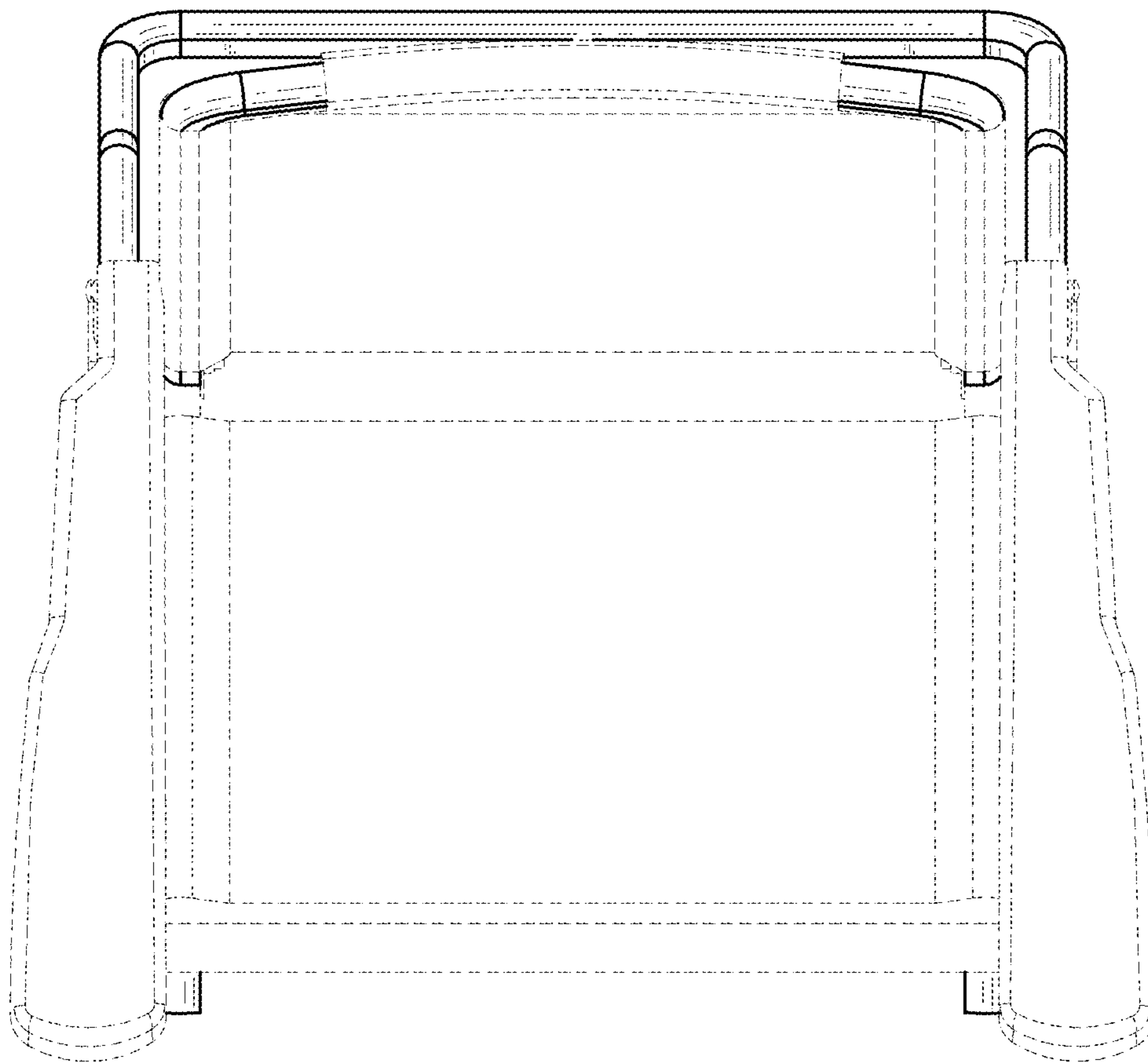
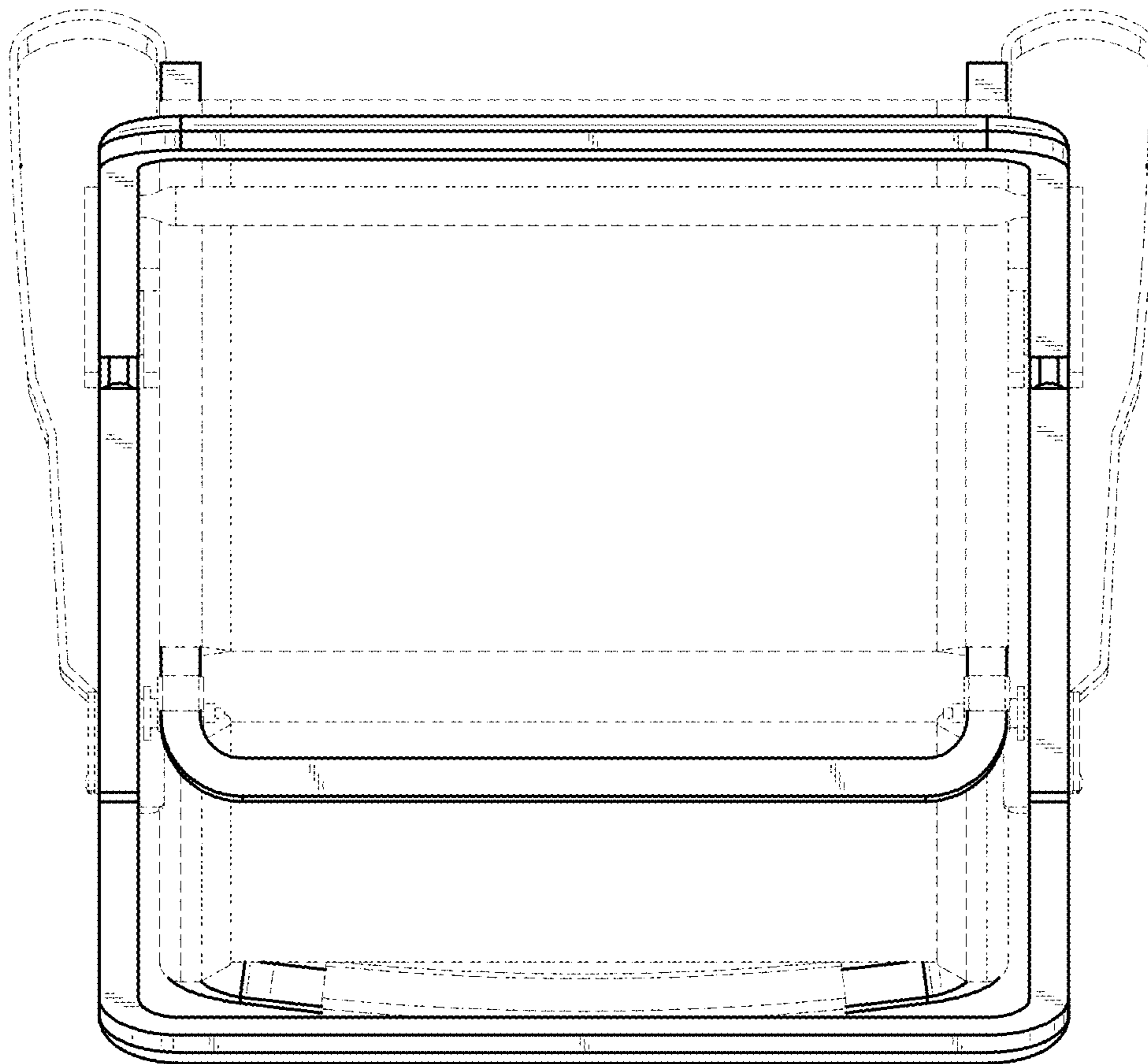


FIG. 47

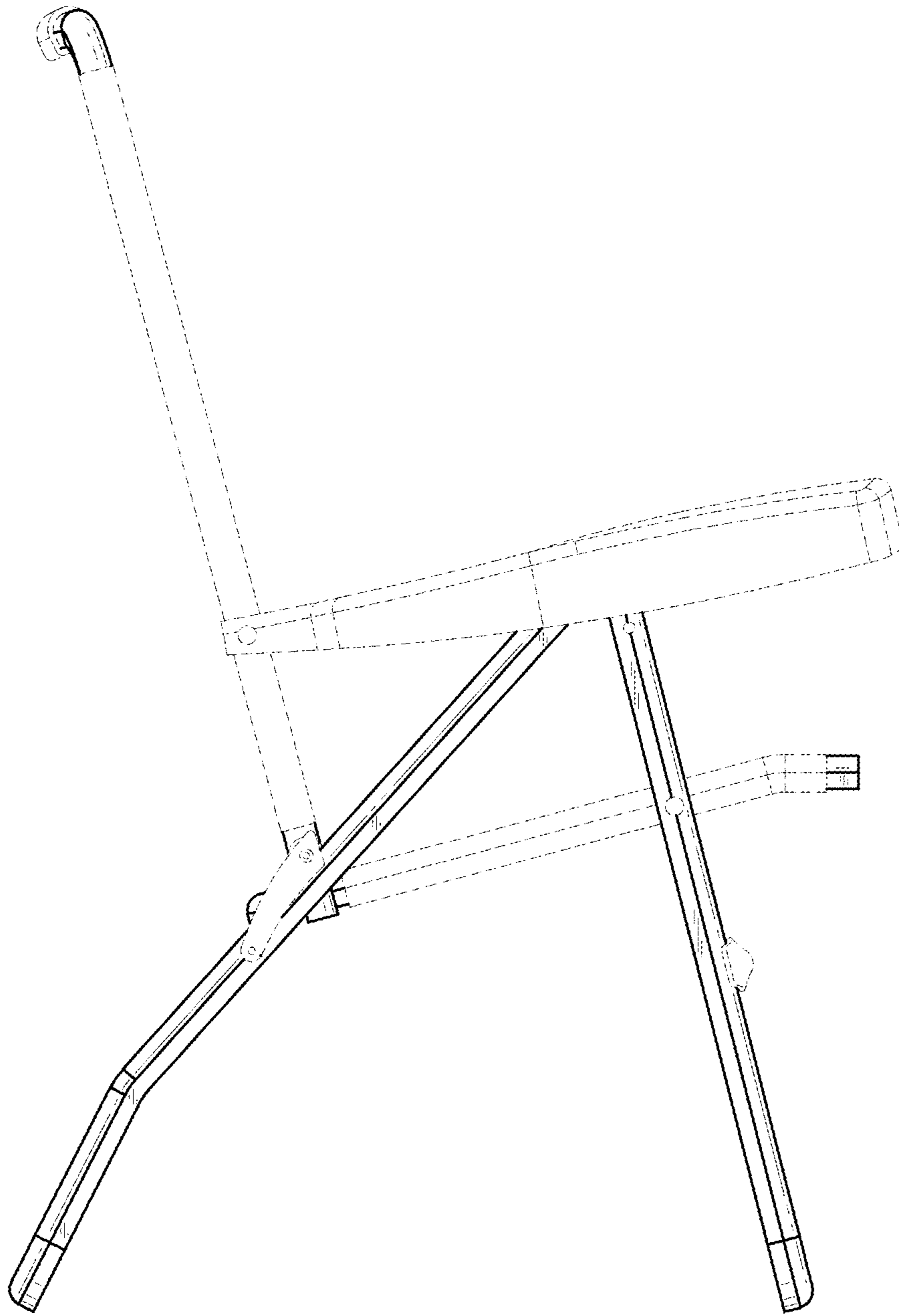


*FIG. 48*

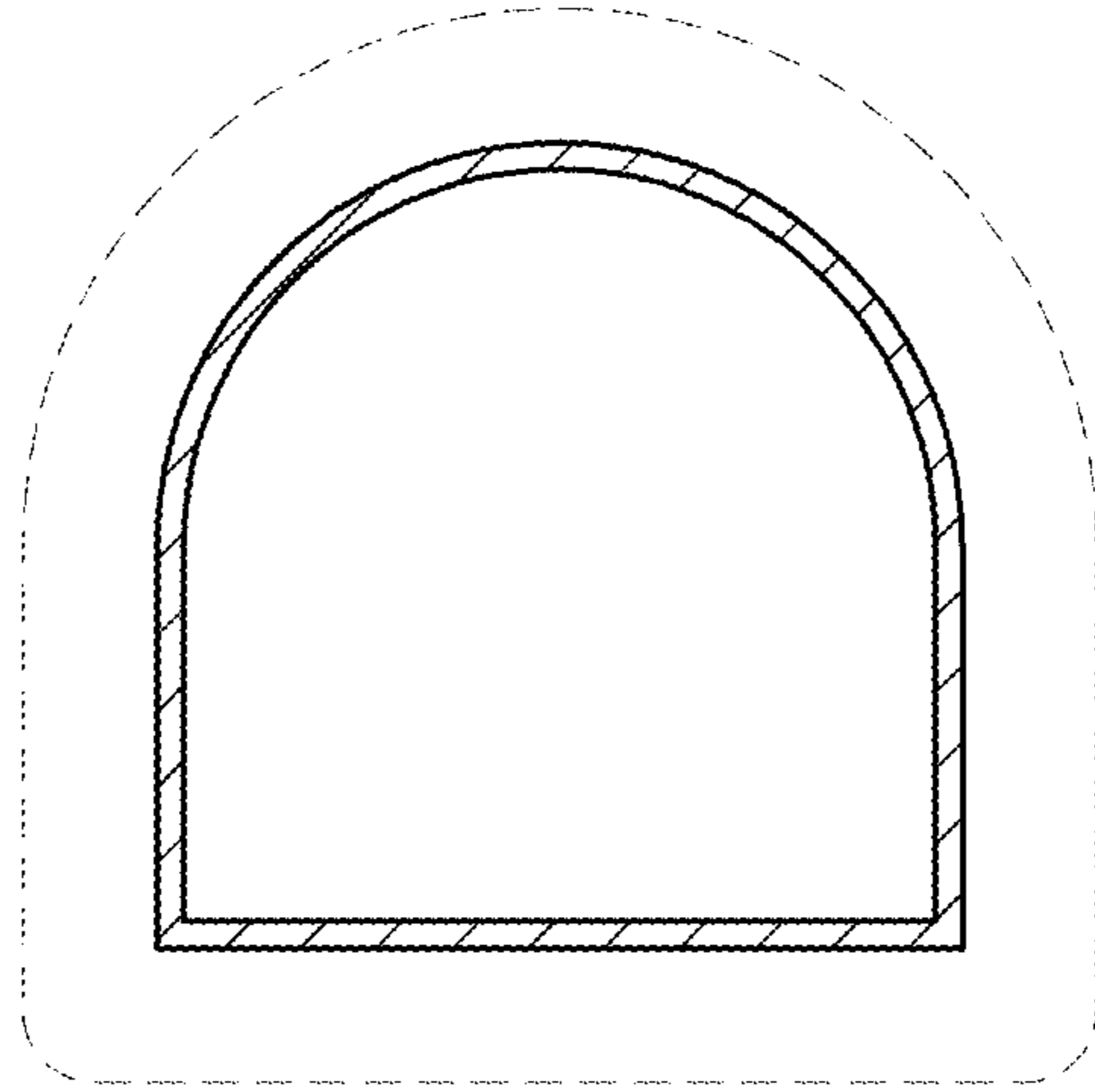


*FIG. 49*

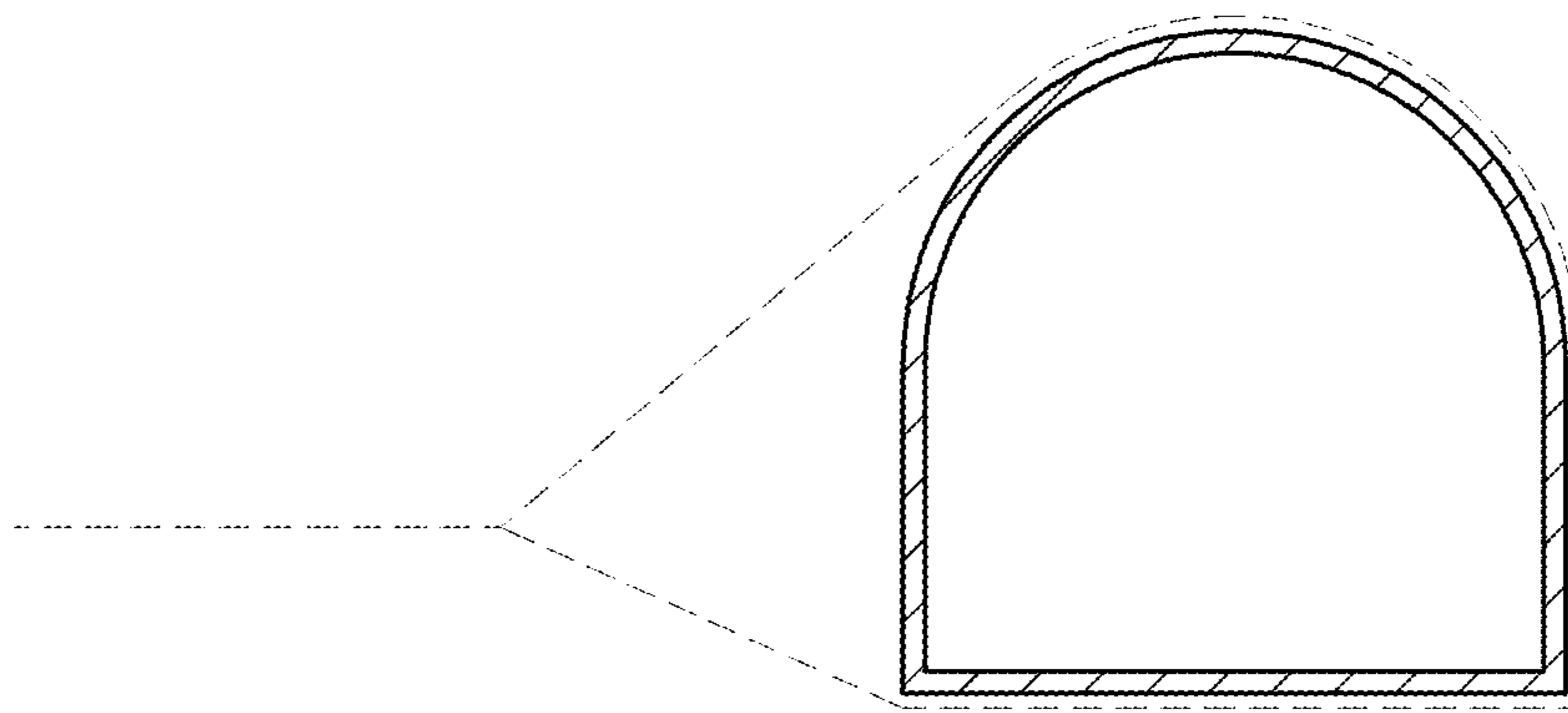




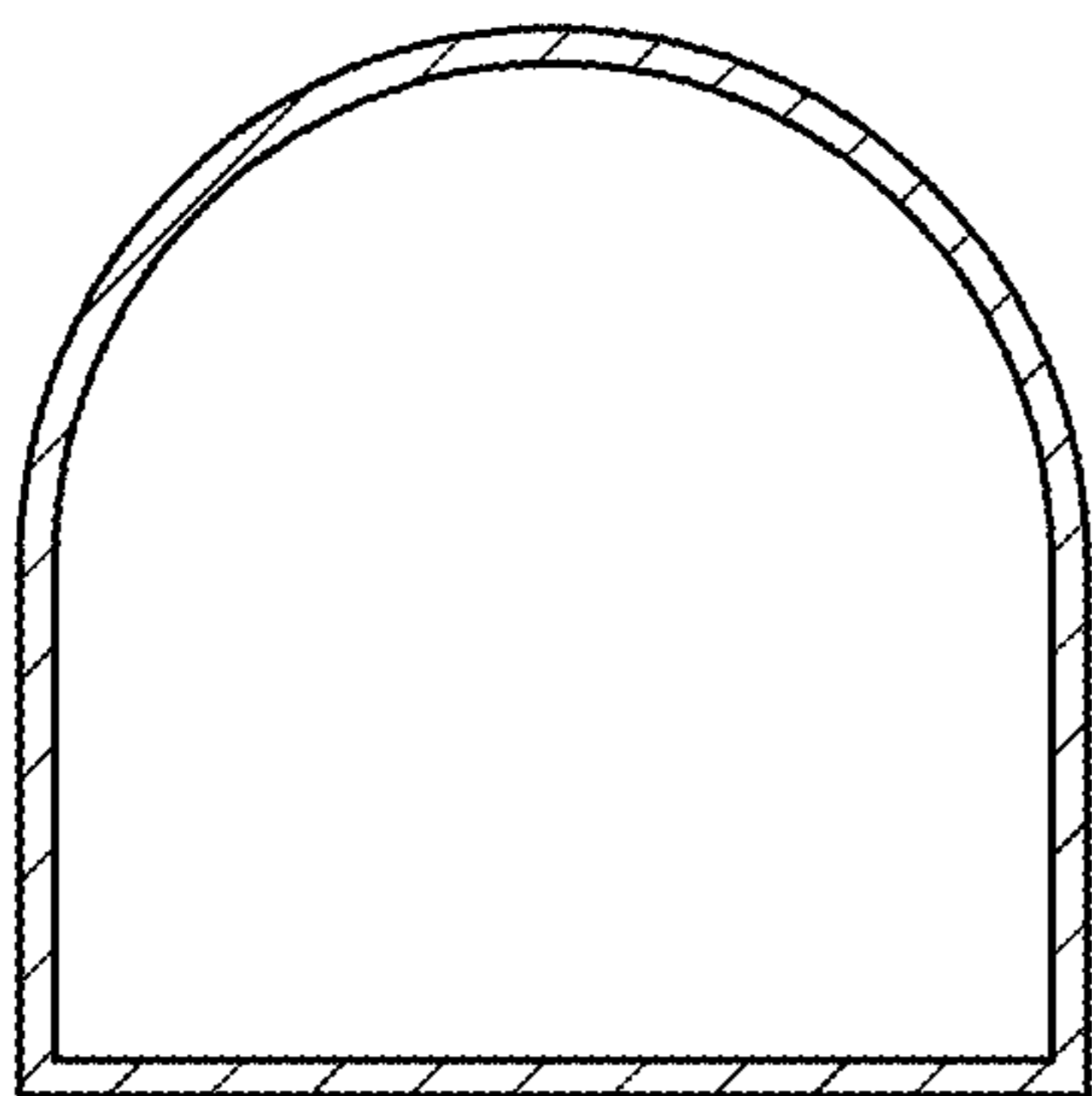
*FIG. 50*



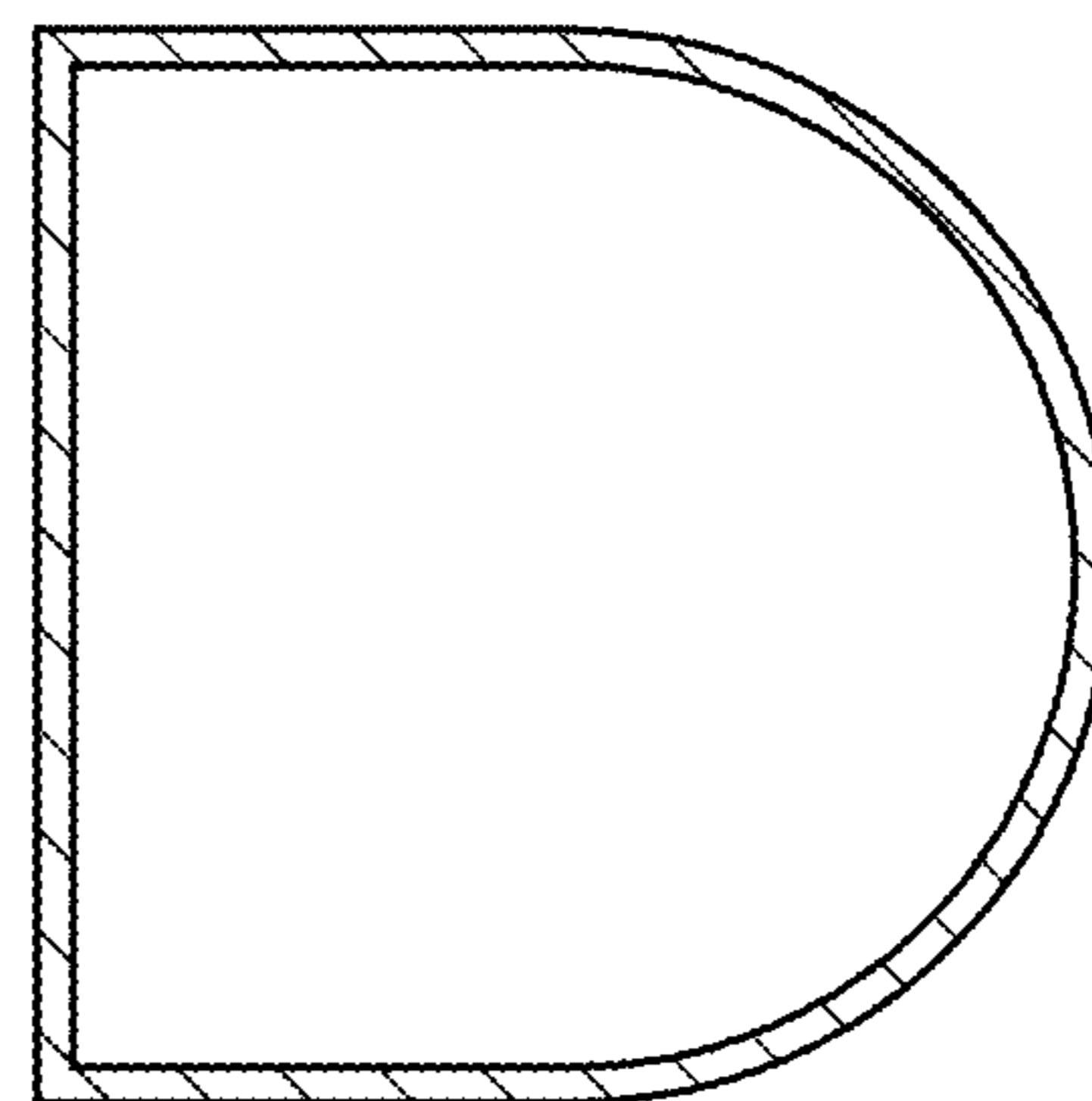
*FIG. 51*



*FIG. 52*



*FIG. 53*



*FIG. 54*

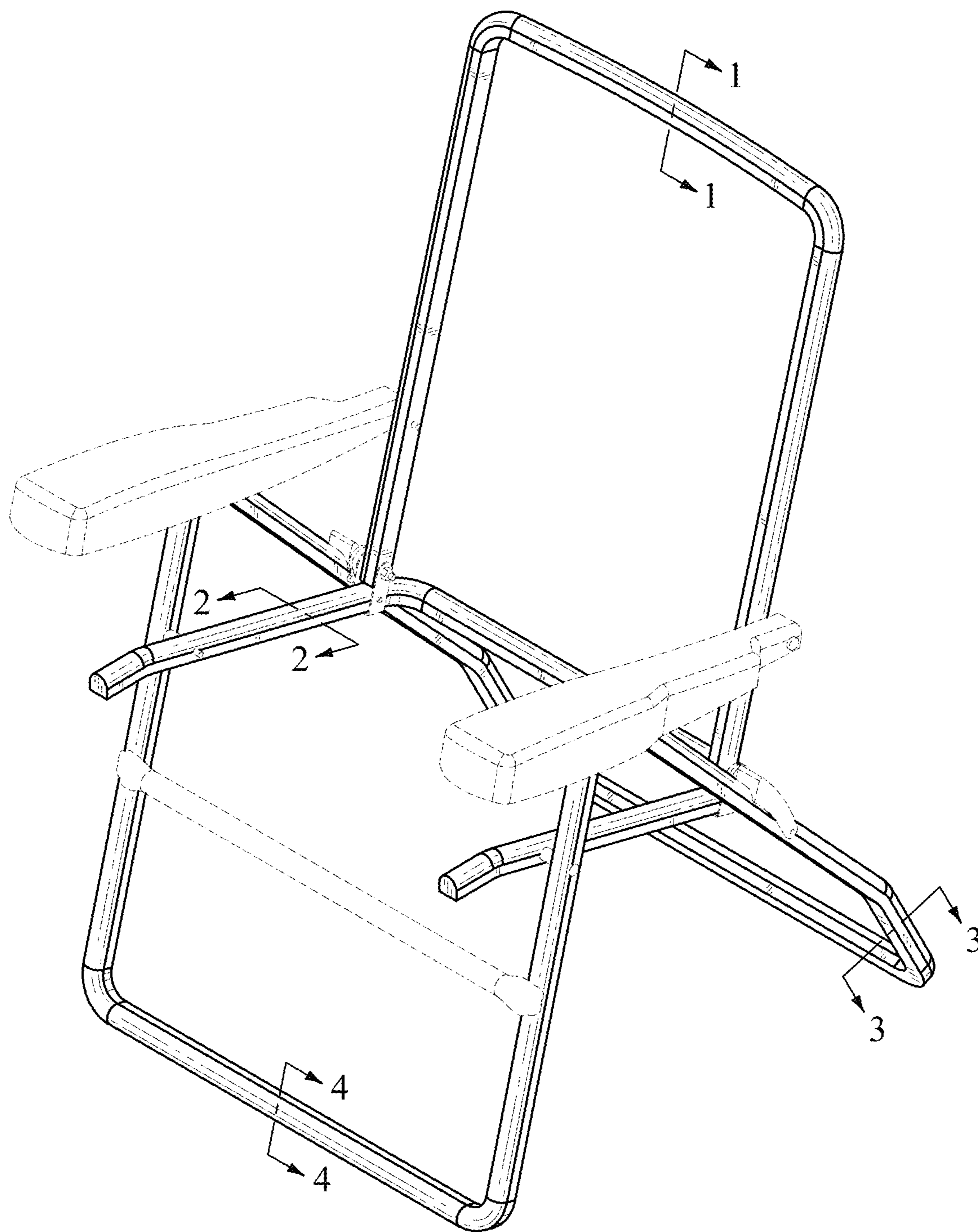


FIG. 55

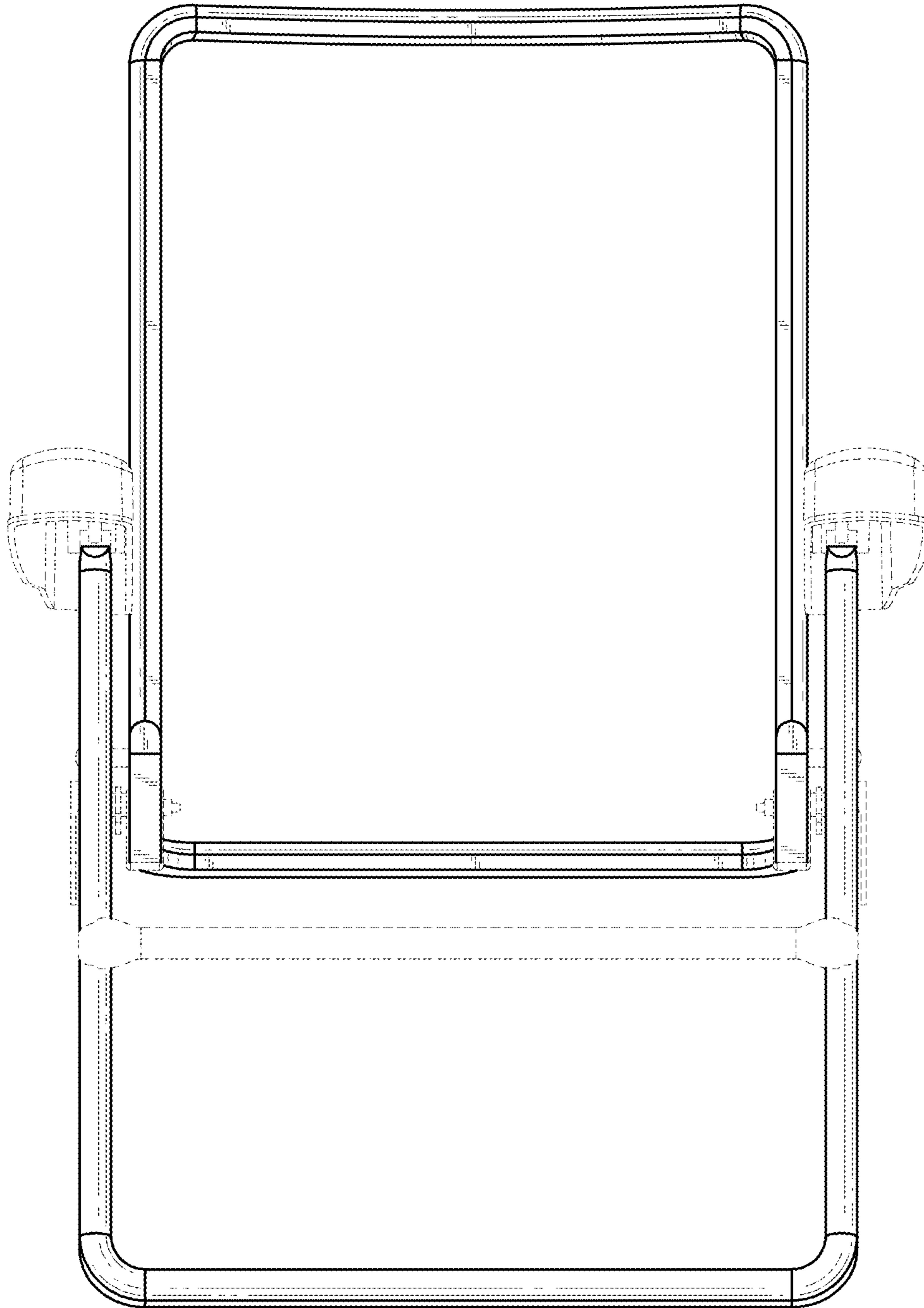
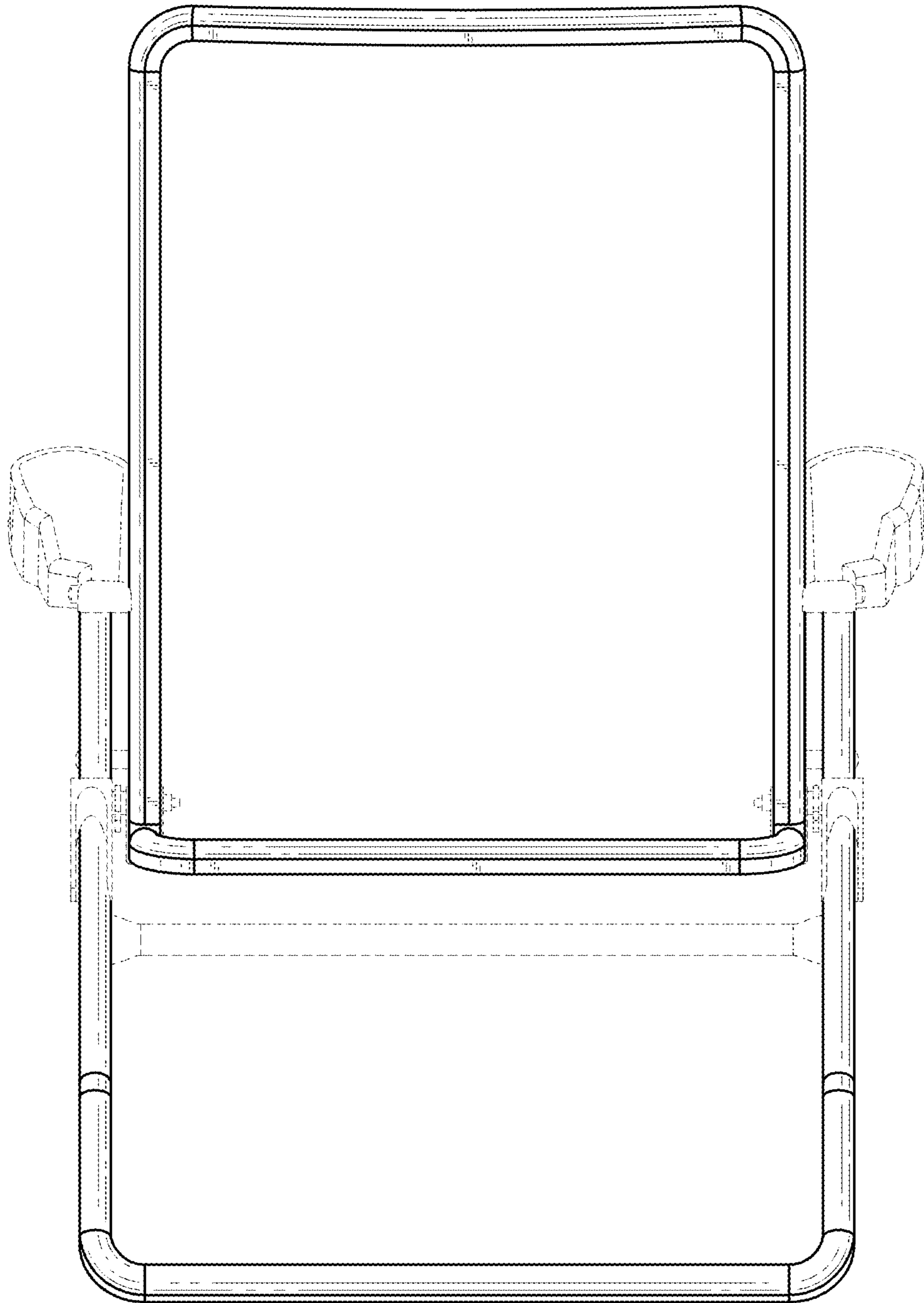
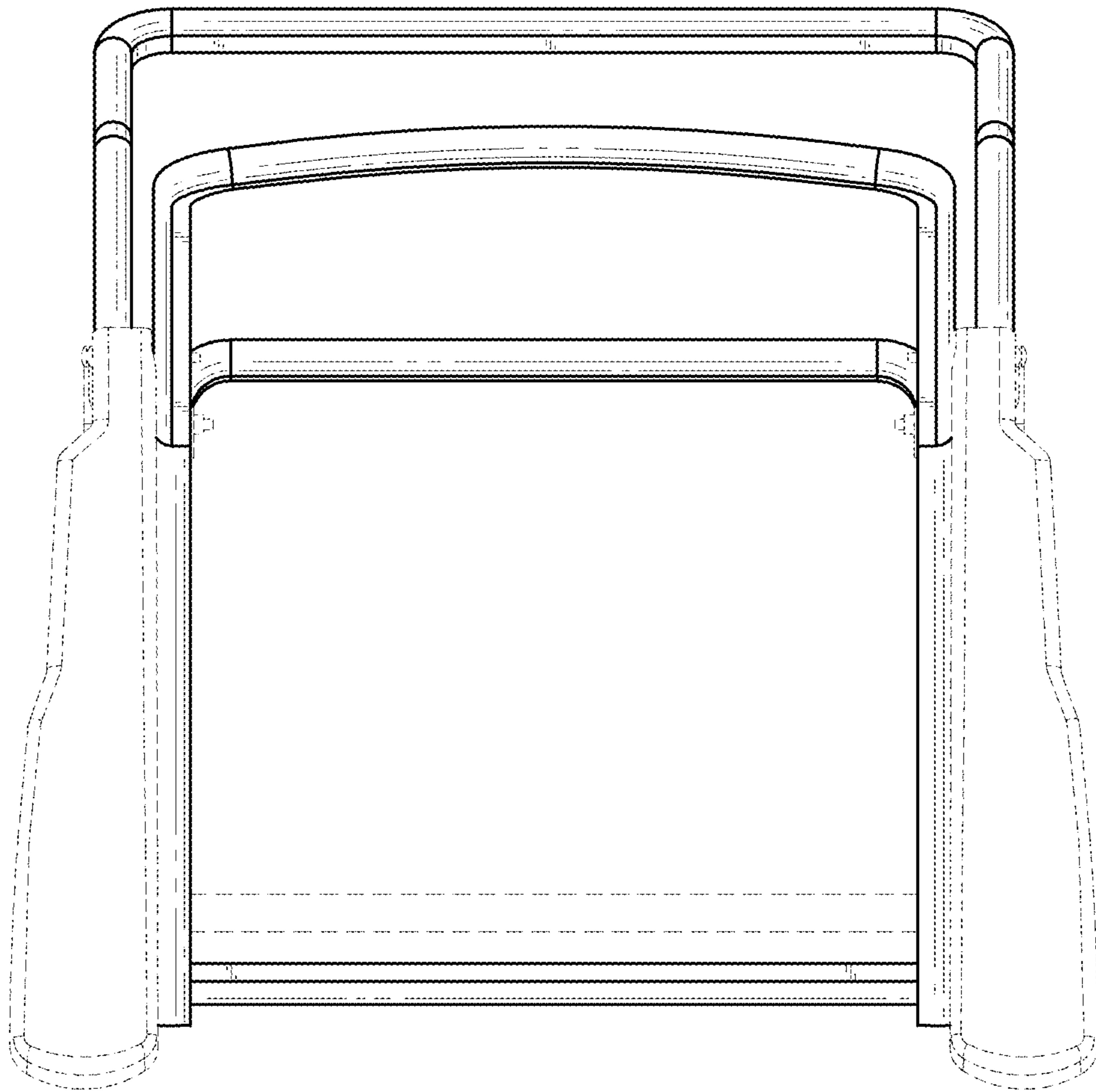


FIG. 56



*FIG. 57*



*FIG. 58*



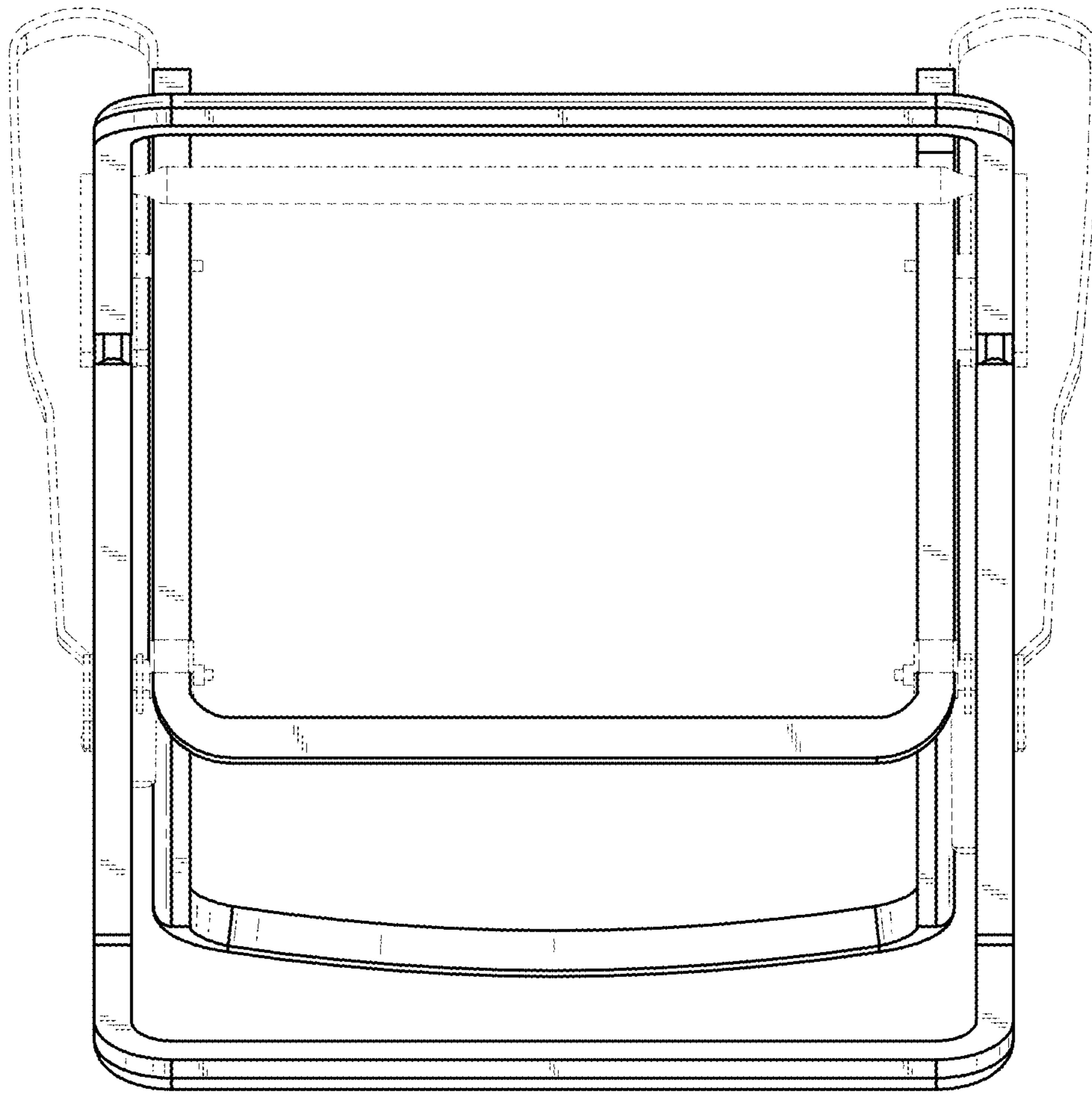
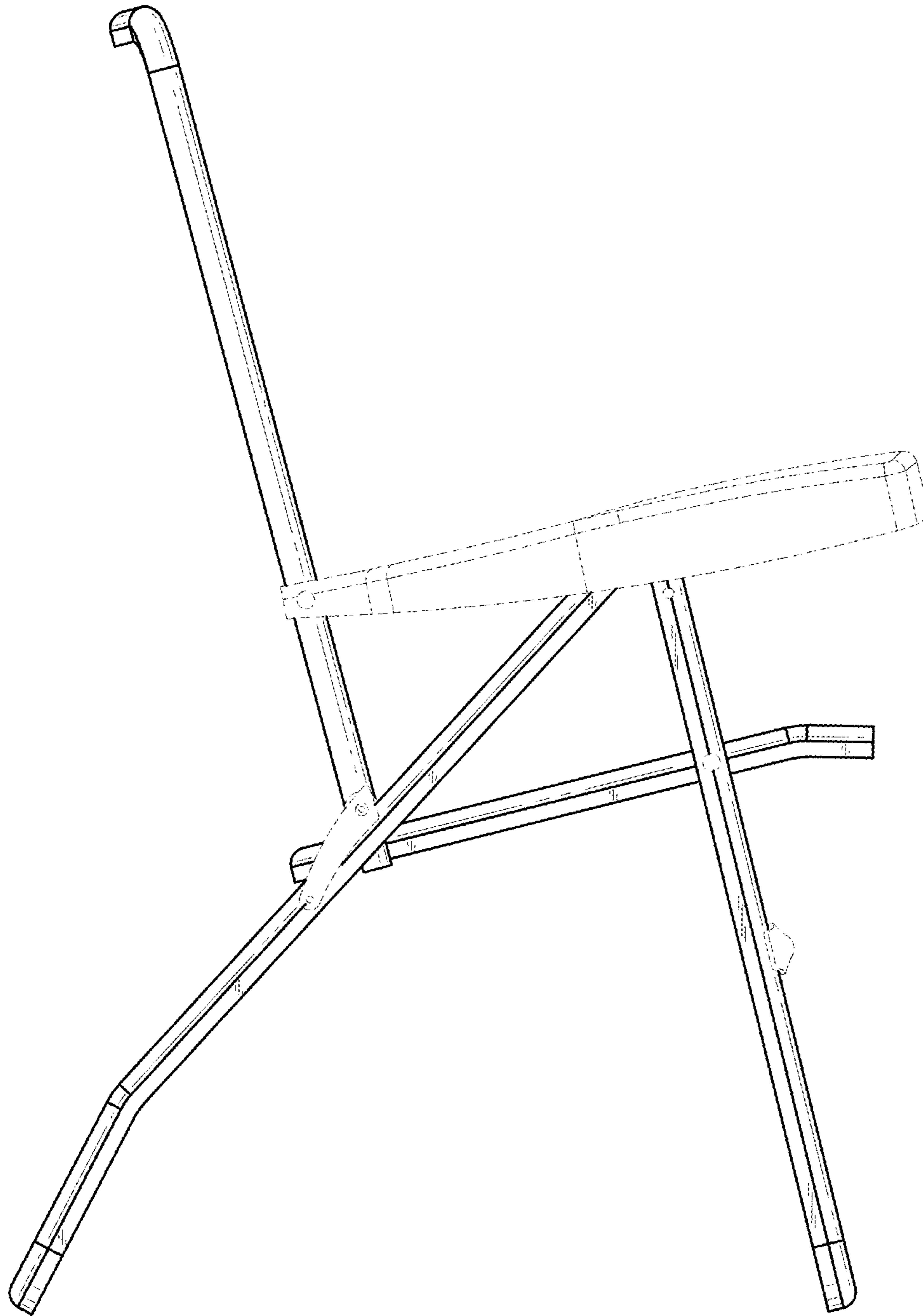
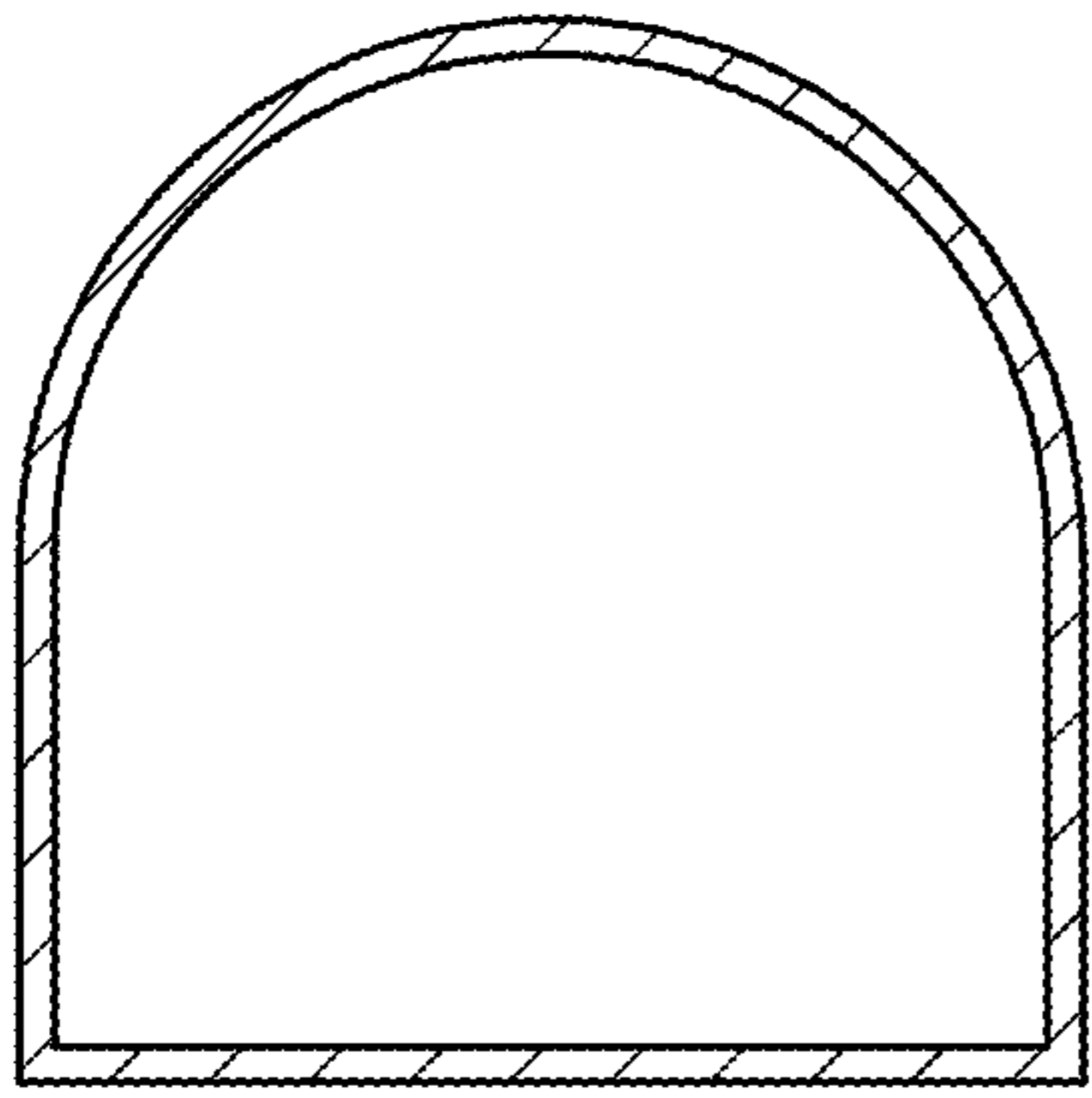


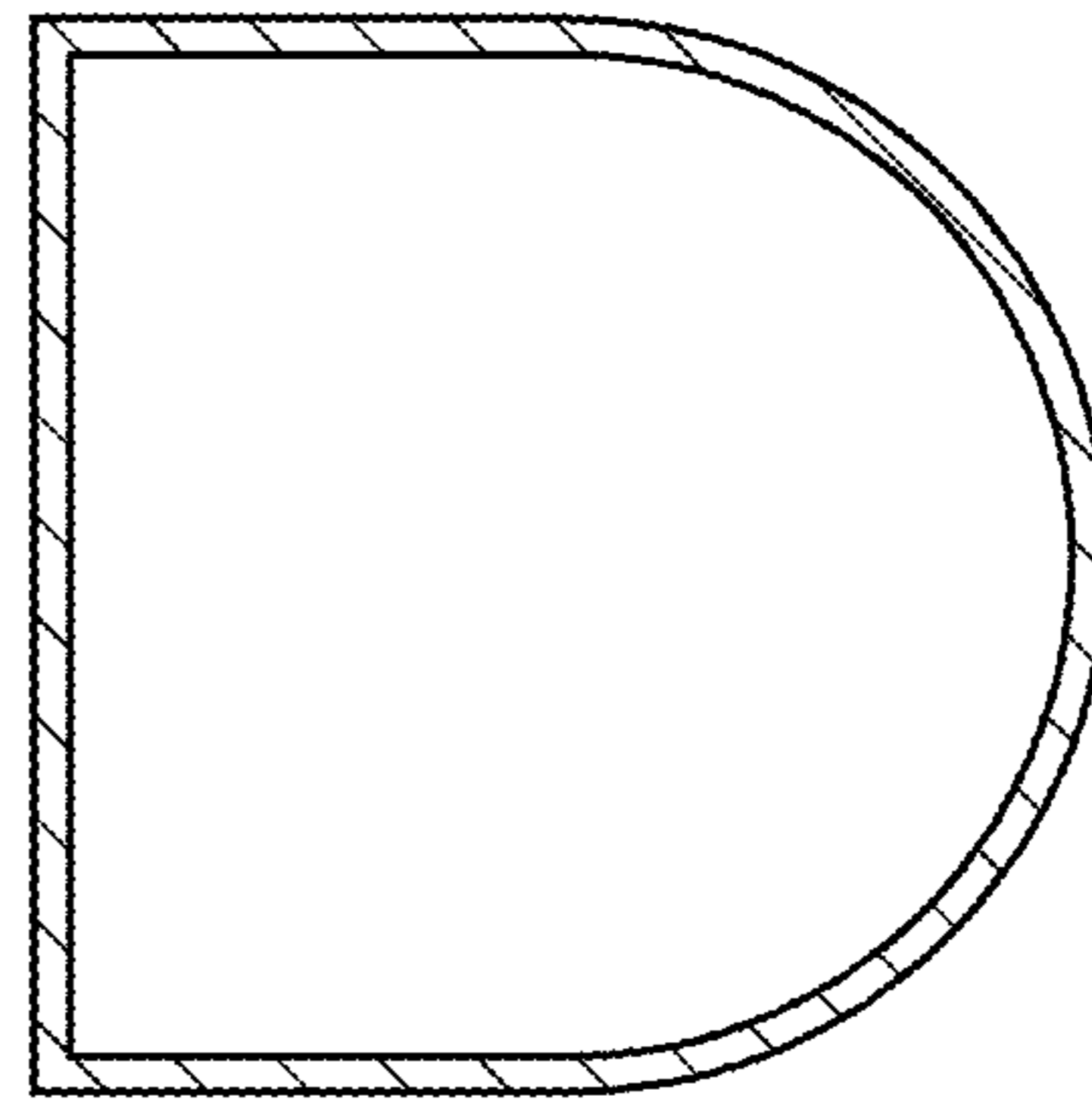
FIG. 59



*FIG. 60*



*FIG. 61*



*FIG. 62*

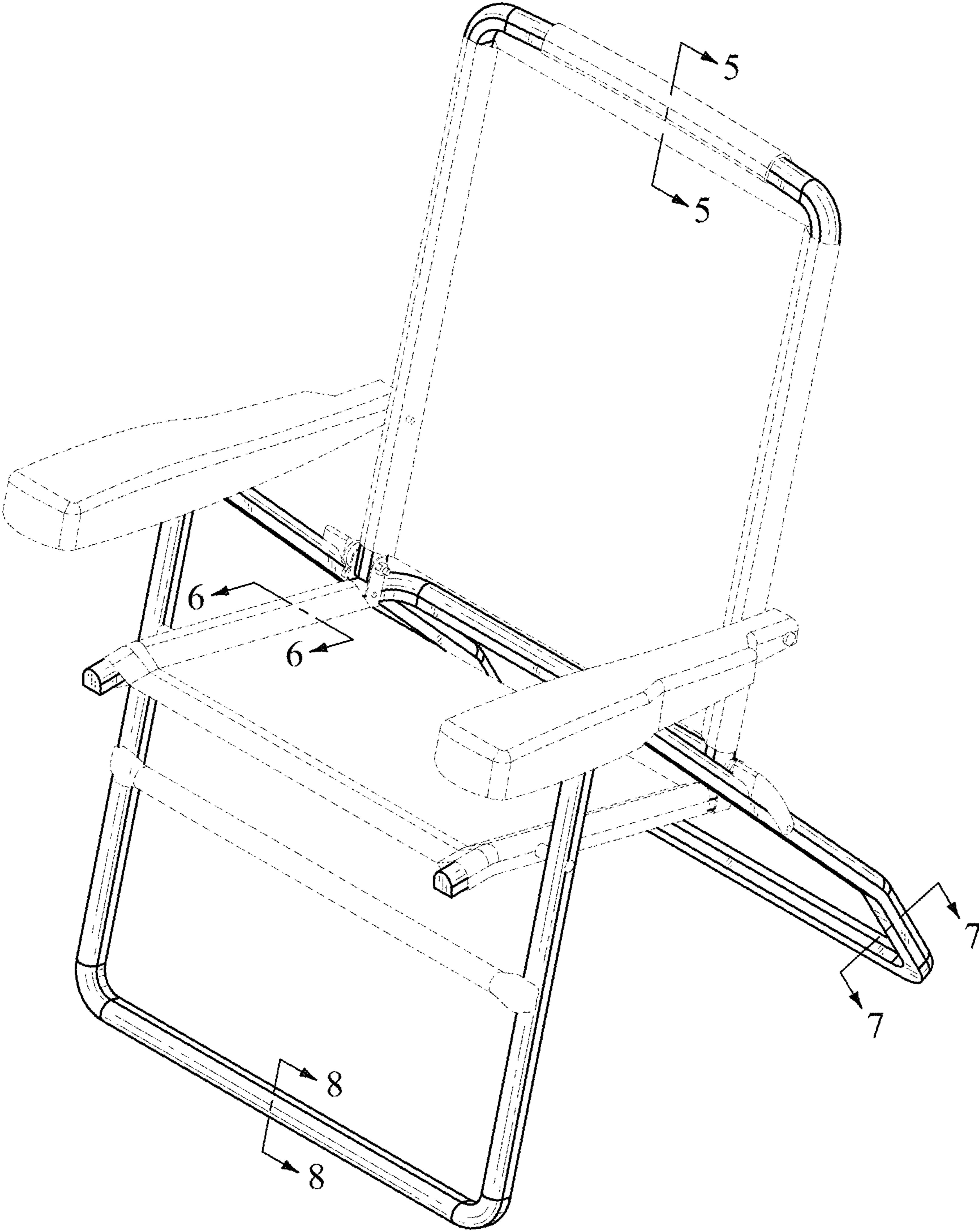


FIG. 63

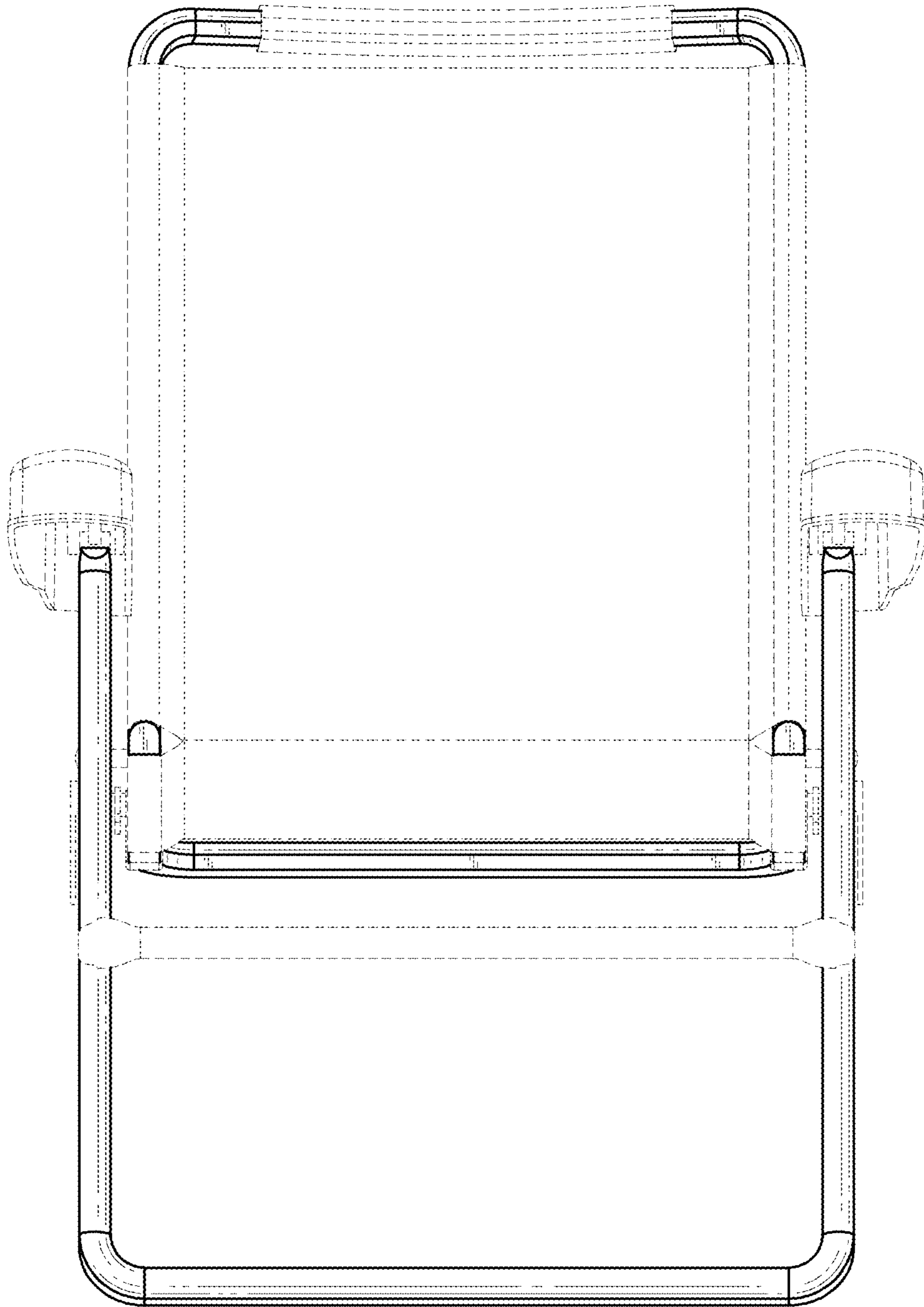


FIG. 64

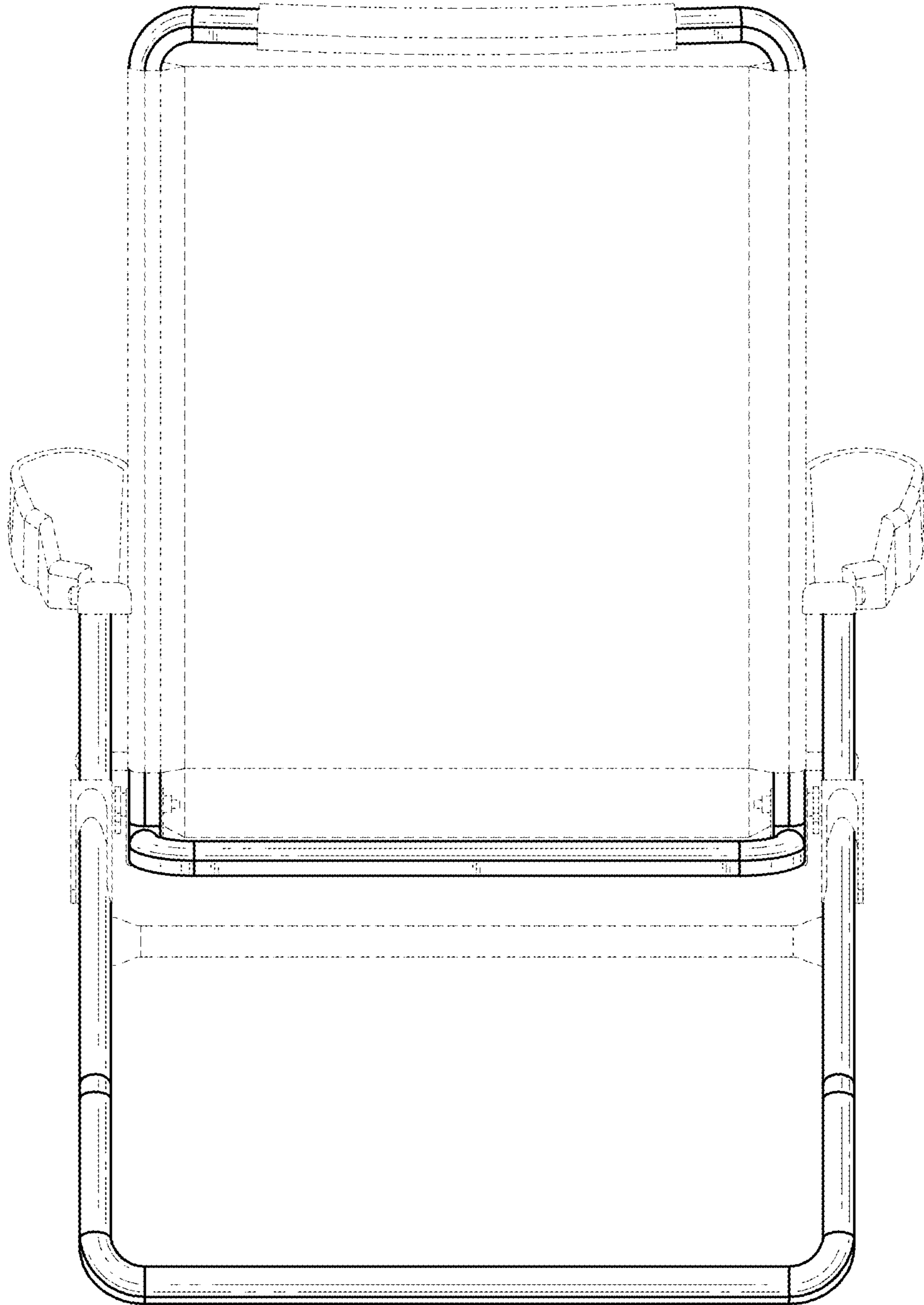
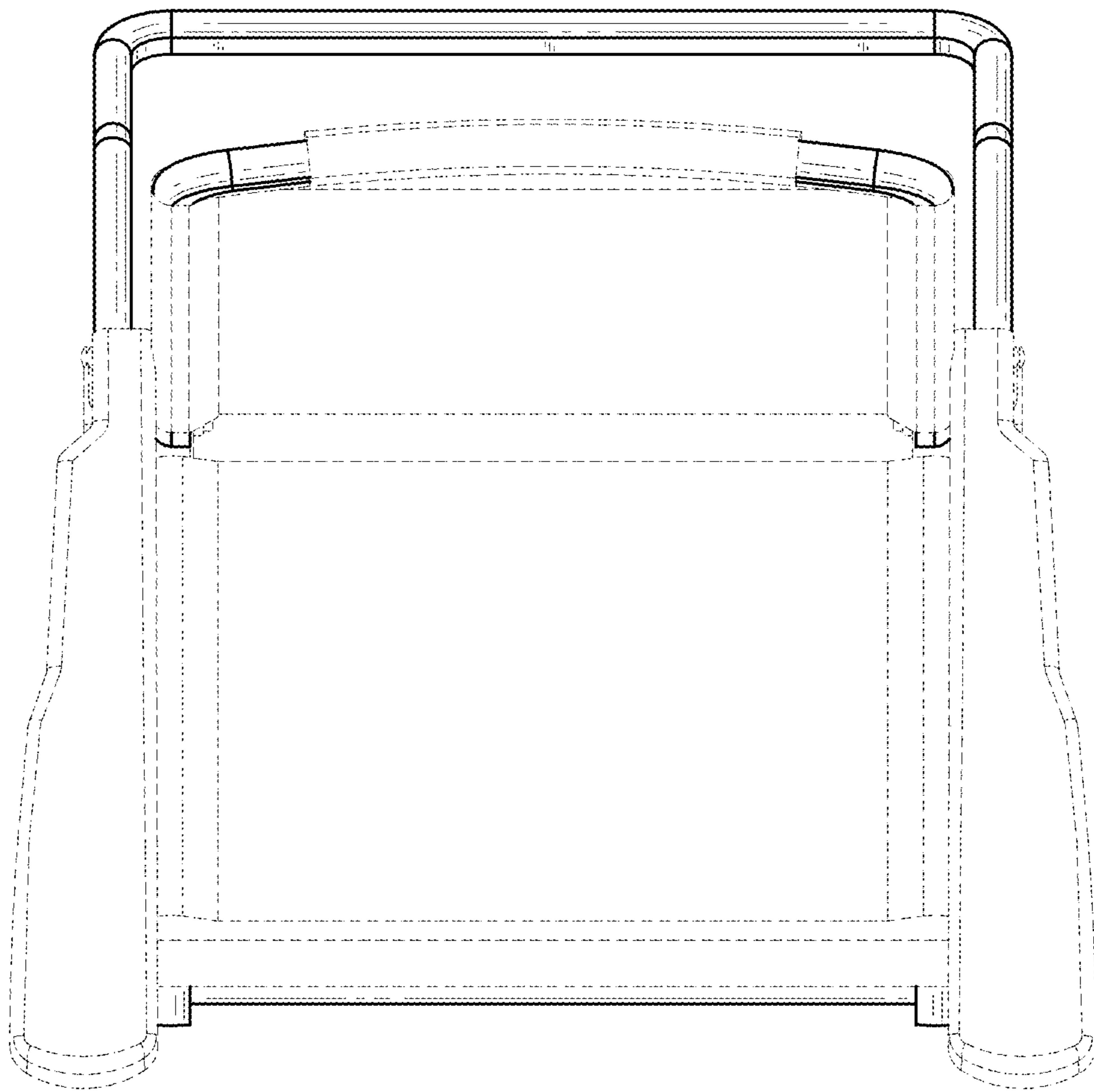
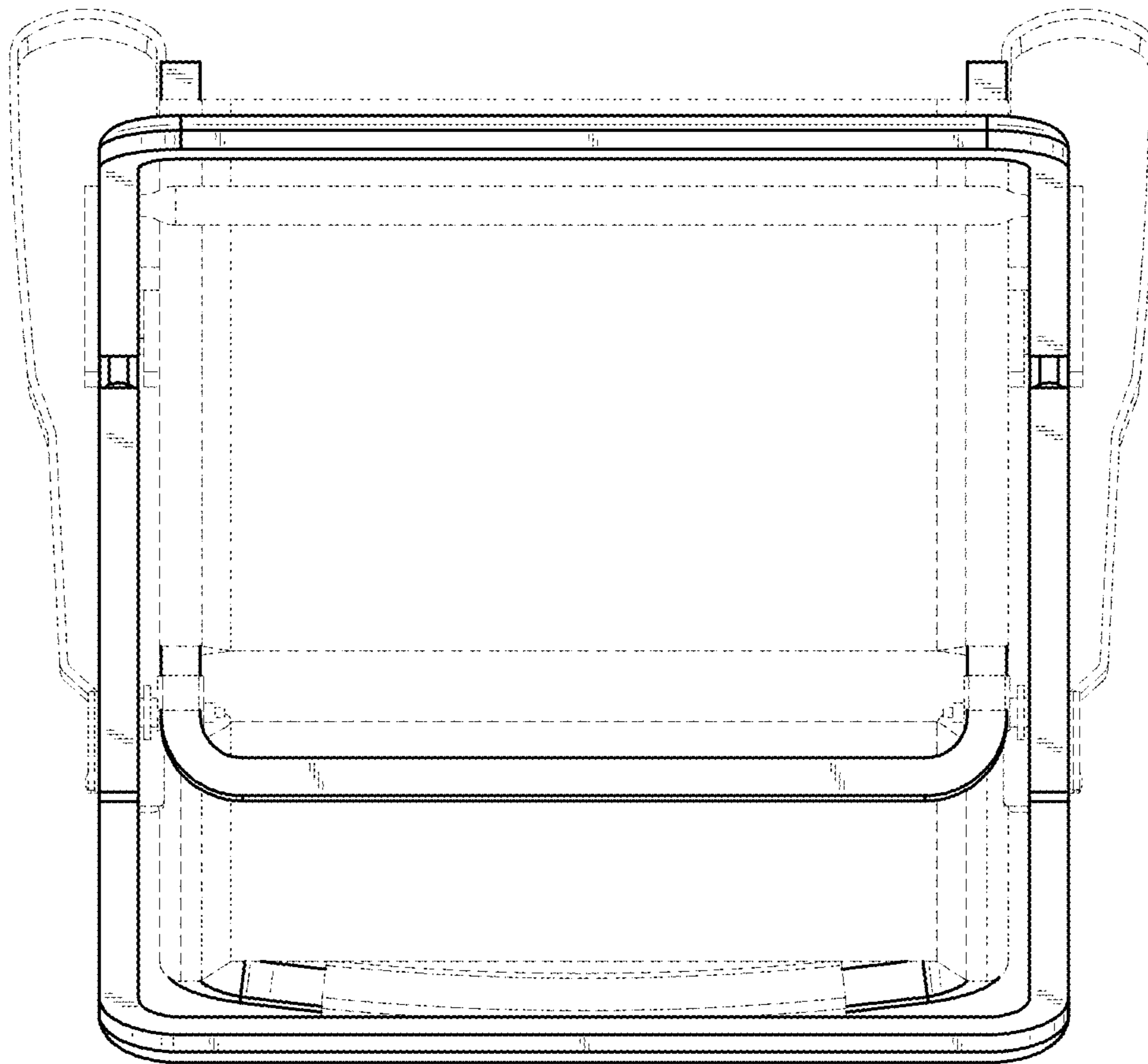


FIG. 65





*FIG. 66*



*FIG. 67*

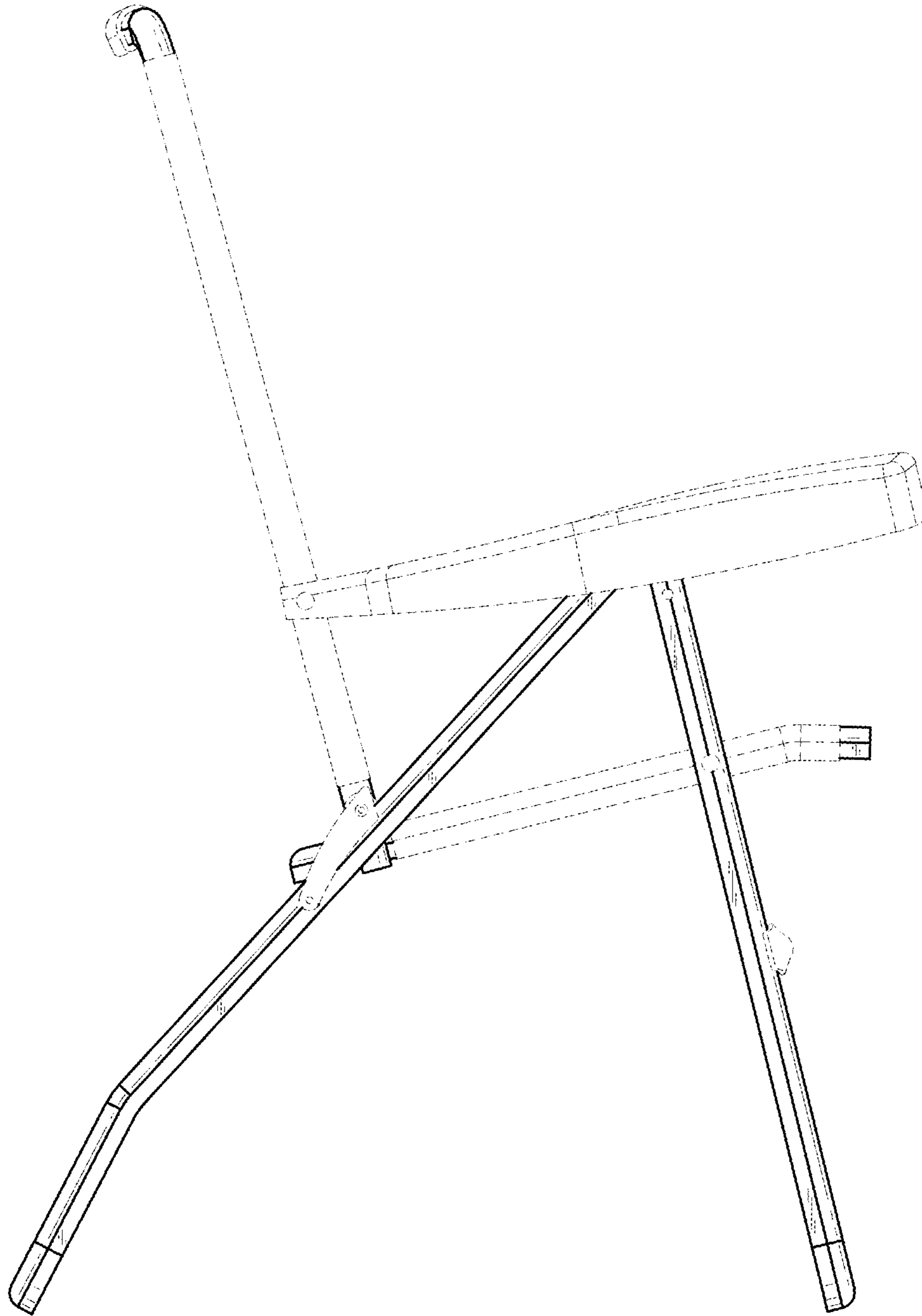


FIG. 68

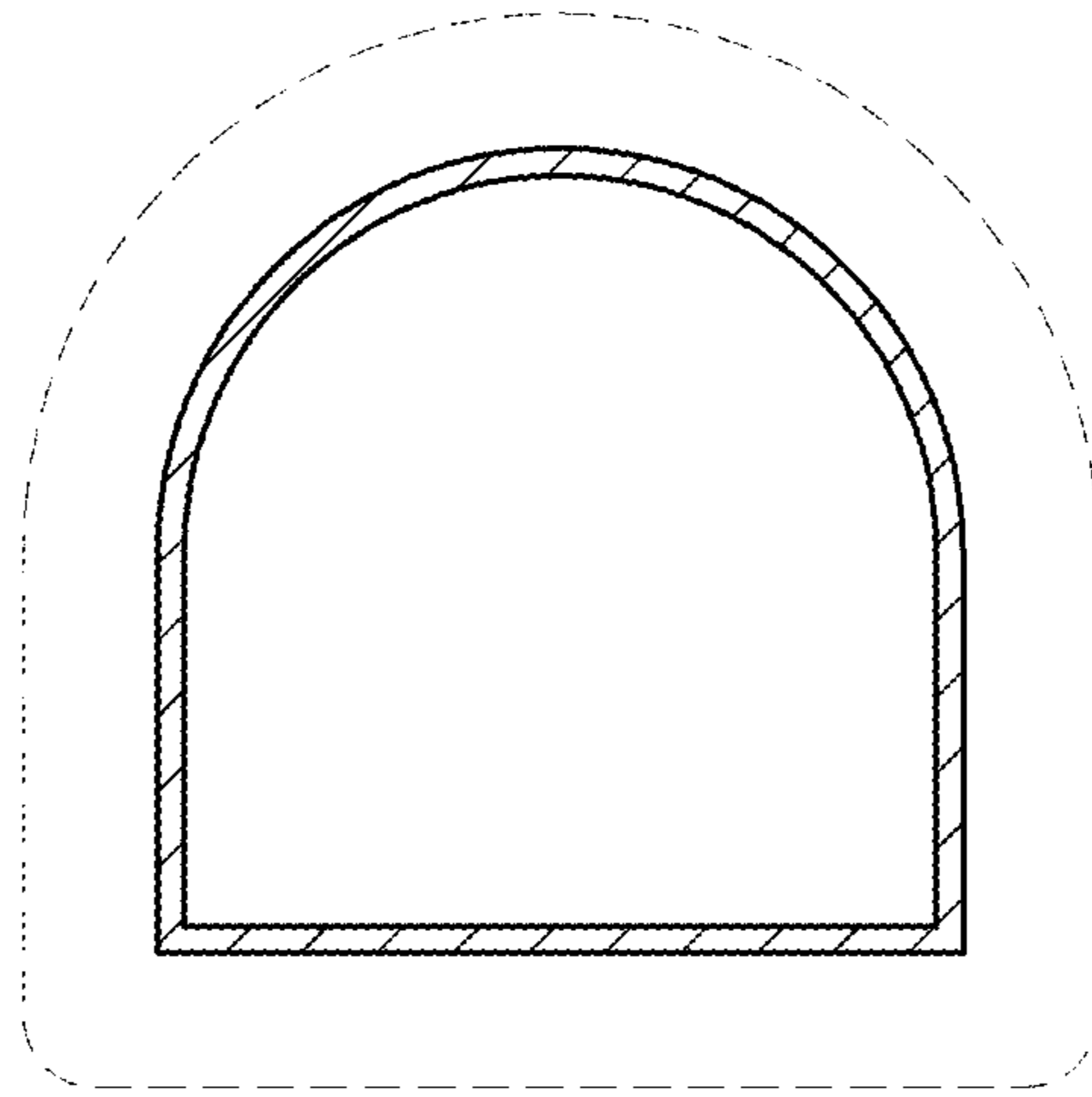


FIG. 69

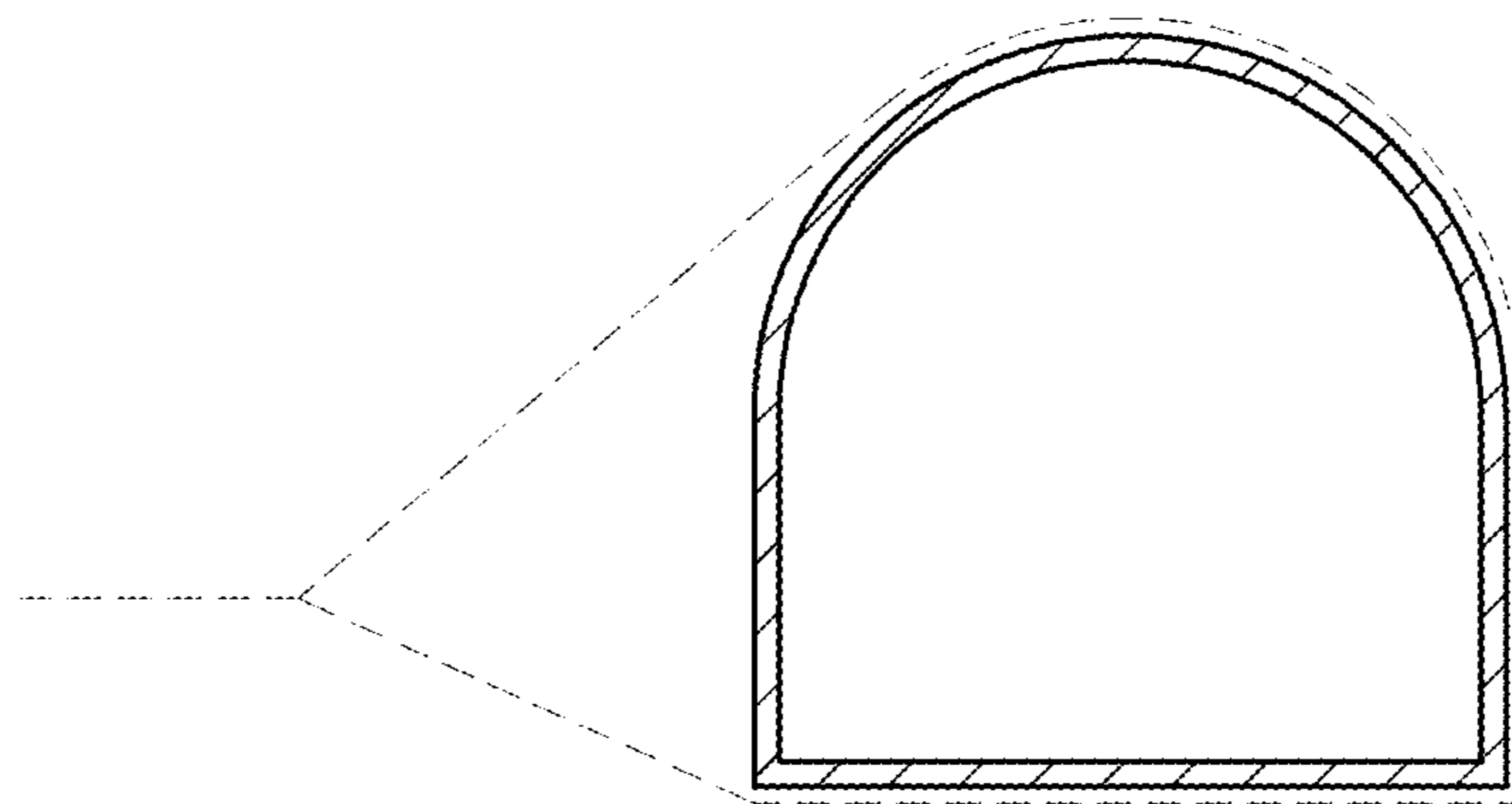


FIG. 70

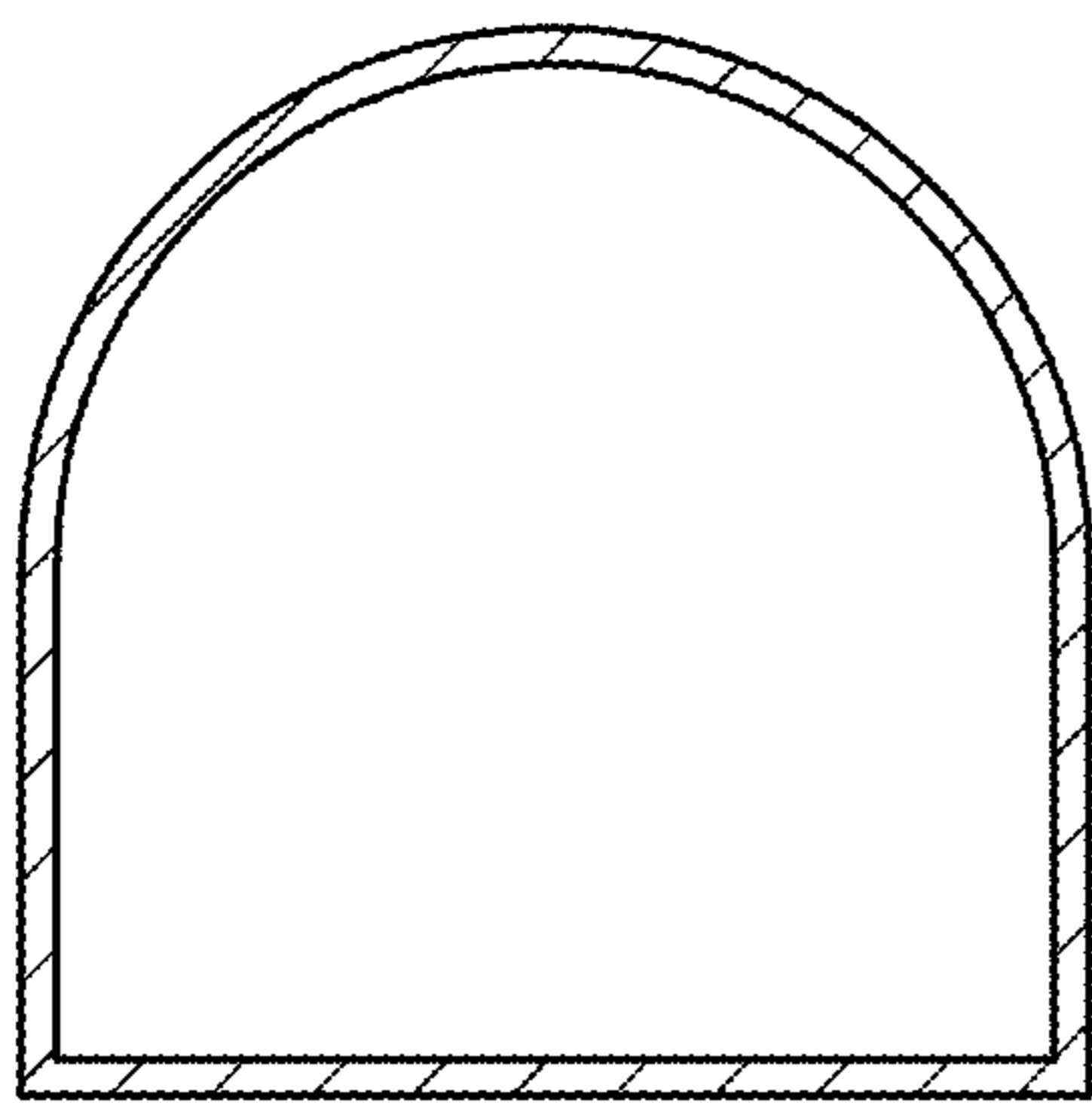


FIG. 71

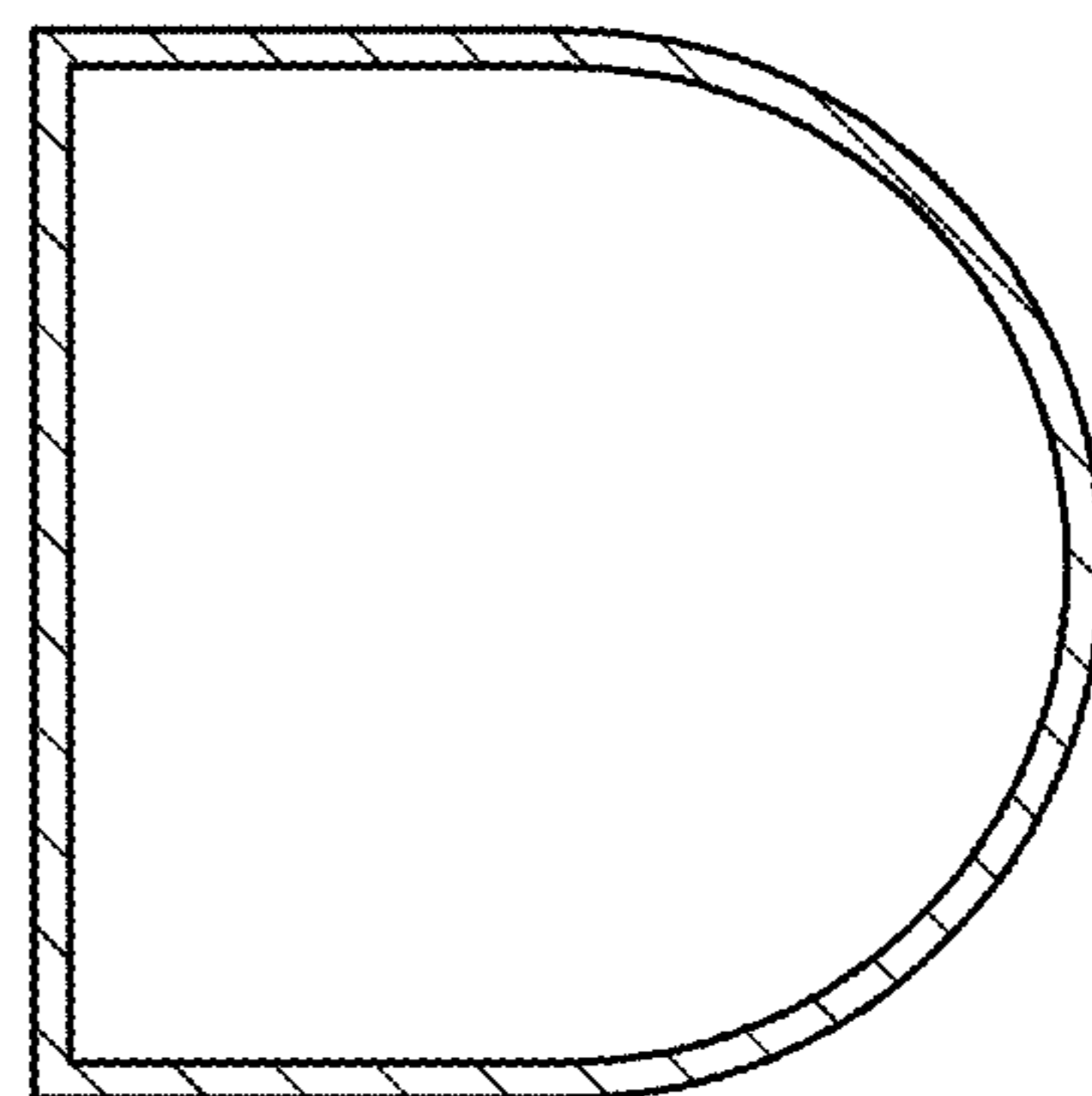


FIG. 72