



US00D976598S

(12) **United States Design Patent**  
**Yu**

(10) **Patent No.:** **US D976,598 S**  
(45) **Date of Patent:** **\*\* Jan. 31, 2023**

(54) **STEP STOOL**

(71) Applicant: **Xiaoting Yu**, Taizhou (CN)

(72) Inventor: **Xiaoting Yu**, Taizhou (CN)

(\*\*) Term: **15 Years**

(21) Appl. No.: **29/853,111**

(22) Filed: **Sep. 13, 2022**

(30) **Foreign Application Priority Data**

Sep. 7, 2022 (CN) ..... 202230590697.8

(51) **LOC (14) Cl.** ..... **06-03**

(52) **U.S. Cl.**  
USPC ..... **D6/350**

(58) **Field of Classification Search**  
USPC ..... D6/335, 336, 349-353; D25/64, 65  
CPC ..... A47C 12/00; A47C 12/02; A47C 13/00  
See application file for complete search history.

(56) **References Cited**

**U.S. PATENT DOCUMENTS**

D240,220	S	*	6/1976	Meyer	.....	D21/802
5,937,968	A	*	8/1999	Gibson	.....	E06C 1/393
						182/129
D449,386	S	*	10/2001	Cheris	.....	D25/65
D828,049	S		9/2018	Khubani		
D923,950	S	*	7/2021	Marsden	.....	D6/349
D924,577	S	*	7/2021	Marsden	.....	D6/349
D925,934	S	*	7/2021	Marsden	.....	D6/349
D925,935	S		7/2021	Marsden		
D934,583	S	*	11/2021	Marsden	.....	D6/350
D955,124	S	*	6/2022	Xu	.....	D6/350
D961,949	S	*	8/2022	Hu	.....	D6/350

D962,663	S	*	9/2022	Chen	.....	D6/350
2021/0076830	A1	*	3/2021	Marsden	.....	E06C 7/081
2022/0369820	A1	*	11/2022	Zhu	.....	E06C 1/393

\* cited by examiner

*Primary Examiner* — S. Bryan Reinholdt, Jr.

*Assistant Examiner* — Julia S Folkart

(74) *Attorney, Agent, or Firm* — Daniel M. Cohn;  
Howard M. Cohn

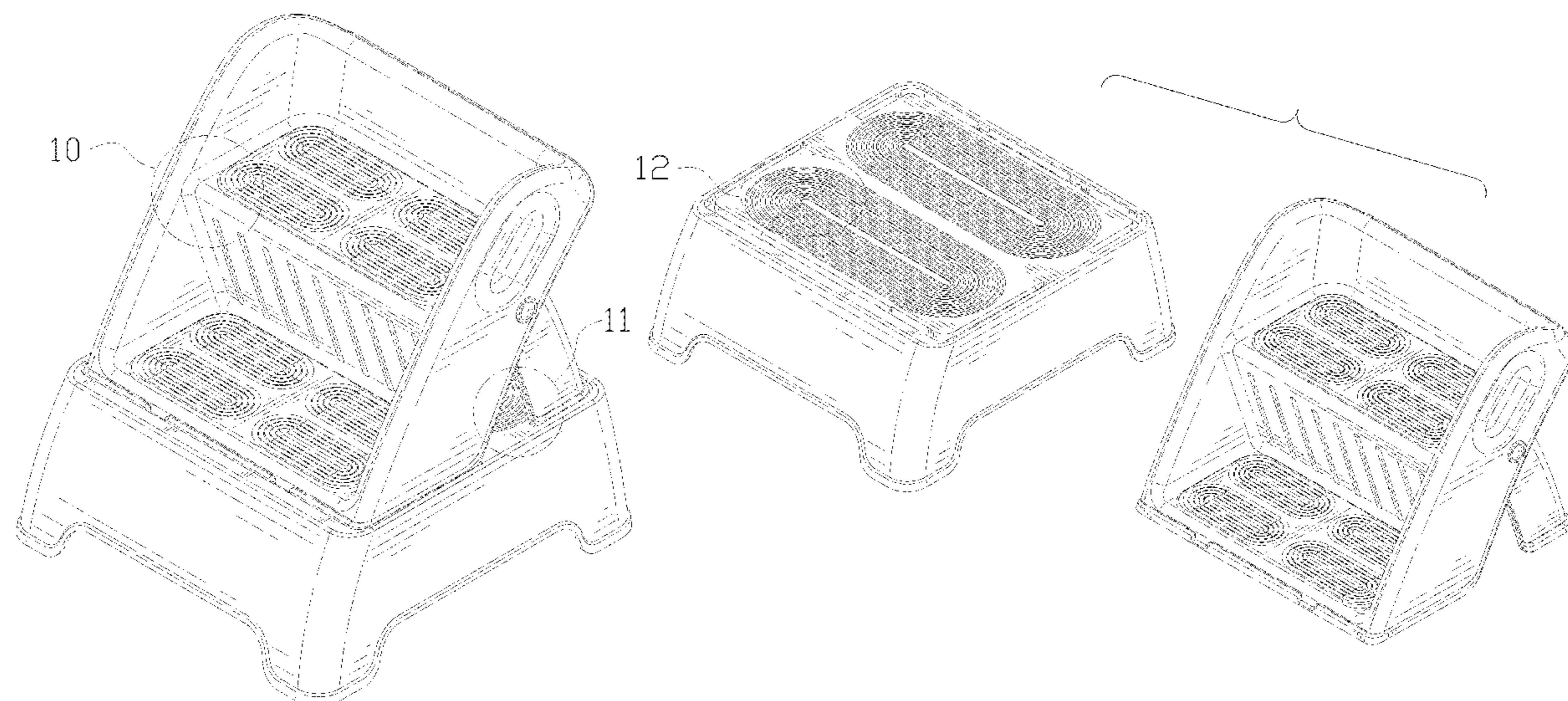
(57) **CLAIM**

The ornamental design for a step stool, as shown and described.

**DESCRIPTION**

FIG. 1 is a perspective view of a step stool showing my new design;  
 FIG. 2 is another perspective view thereof;  
 FIG. 3 is a front elevational view thereof;  
 FIG. 4 is a rear elevational view thereof;  
 FIG. 5 is a left side elevational view thereof;  
 FIG. 6 is a right side elevational view thereof;  
 FIG. 7 is a top plan view thereof;  
 FIG. 8 is a bottom plan view thereof;  
 FIG. 9 is an exploded perspective view of the step stool;  
 FIG. 10 is an enlarged view of portion 10 shown in FIG. 1;  
 FIG. 11 is an enlarged view of portion 11 shown in FIG. 1;  
 and,  
 FIG. 12 is an enlarged view of portion 12 shown in FIG. 9.  
 The dash-dash broken lines in the drawings depict portions of the step stool that form no part of the claimed design. The dot-dash broken lines represent boundaries of the enlarged portions and form no part of the claimed design.

**1 Claim, 12 Drawing Sheets**



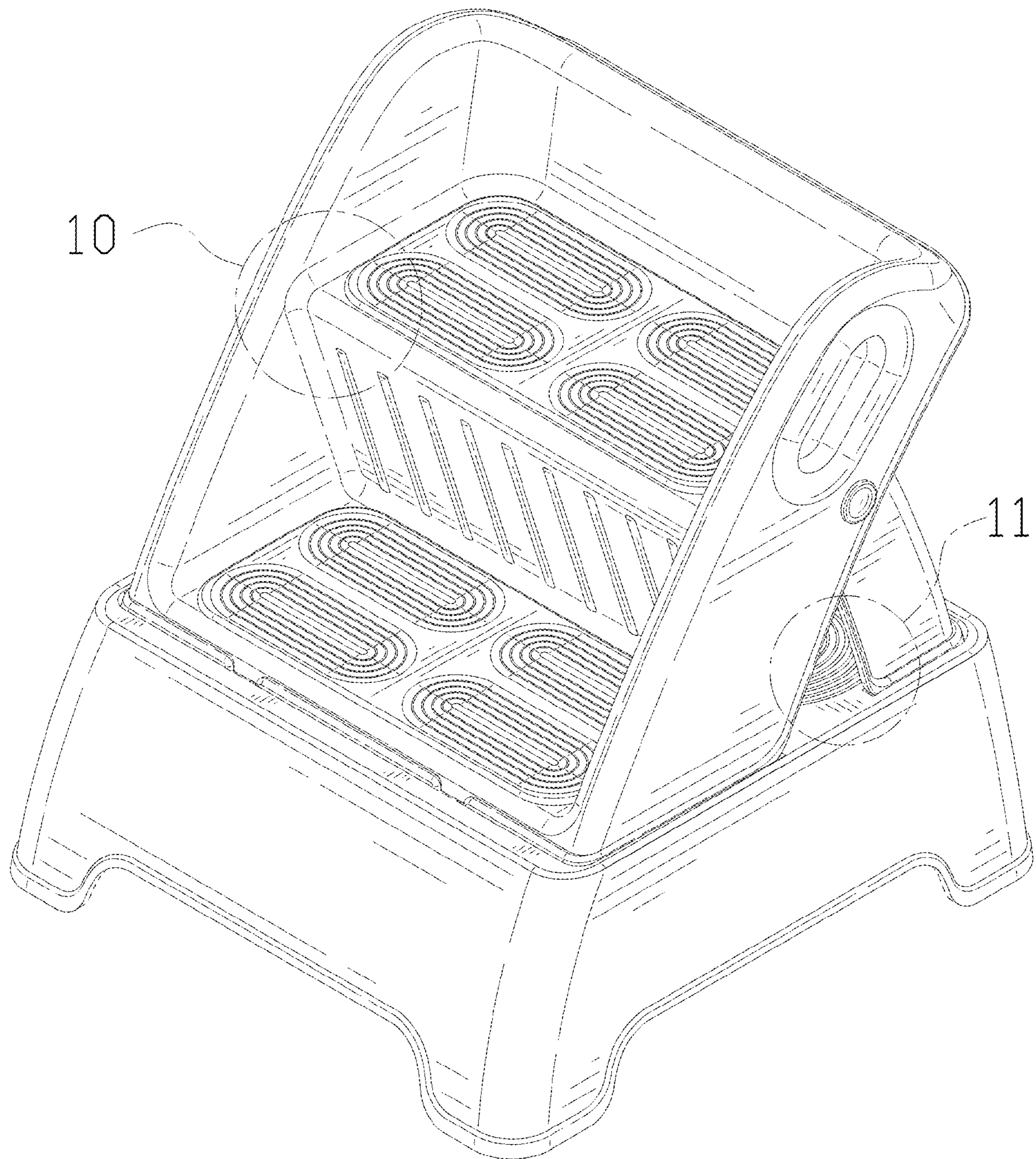


FIG. 1

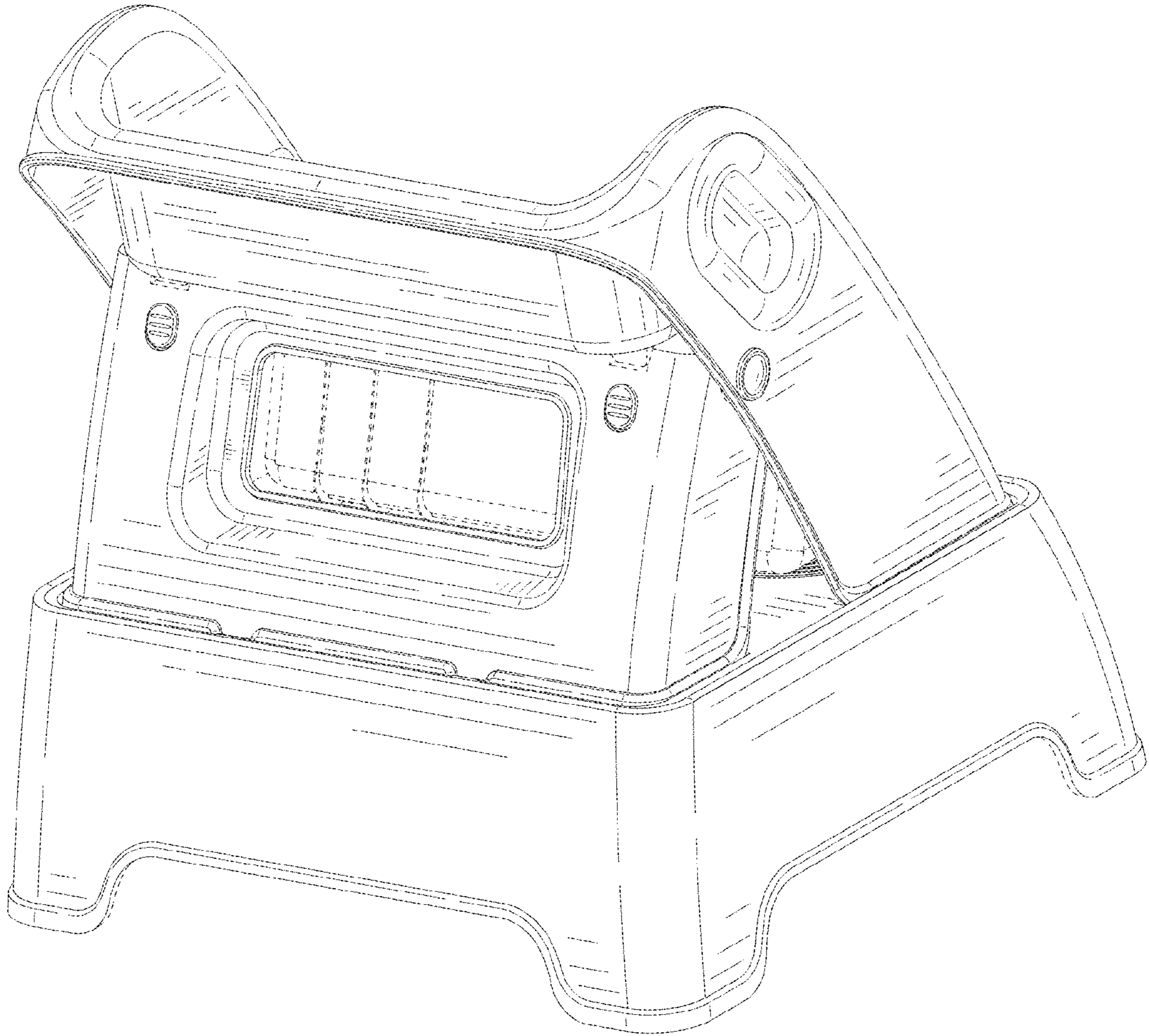


FIG. 2

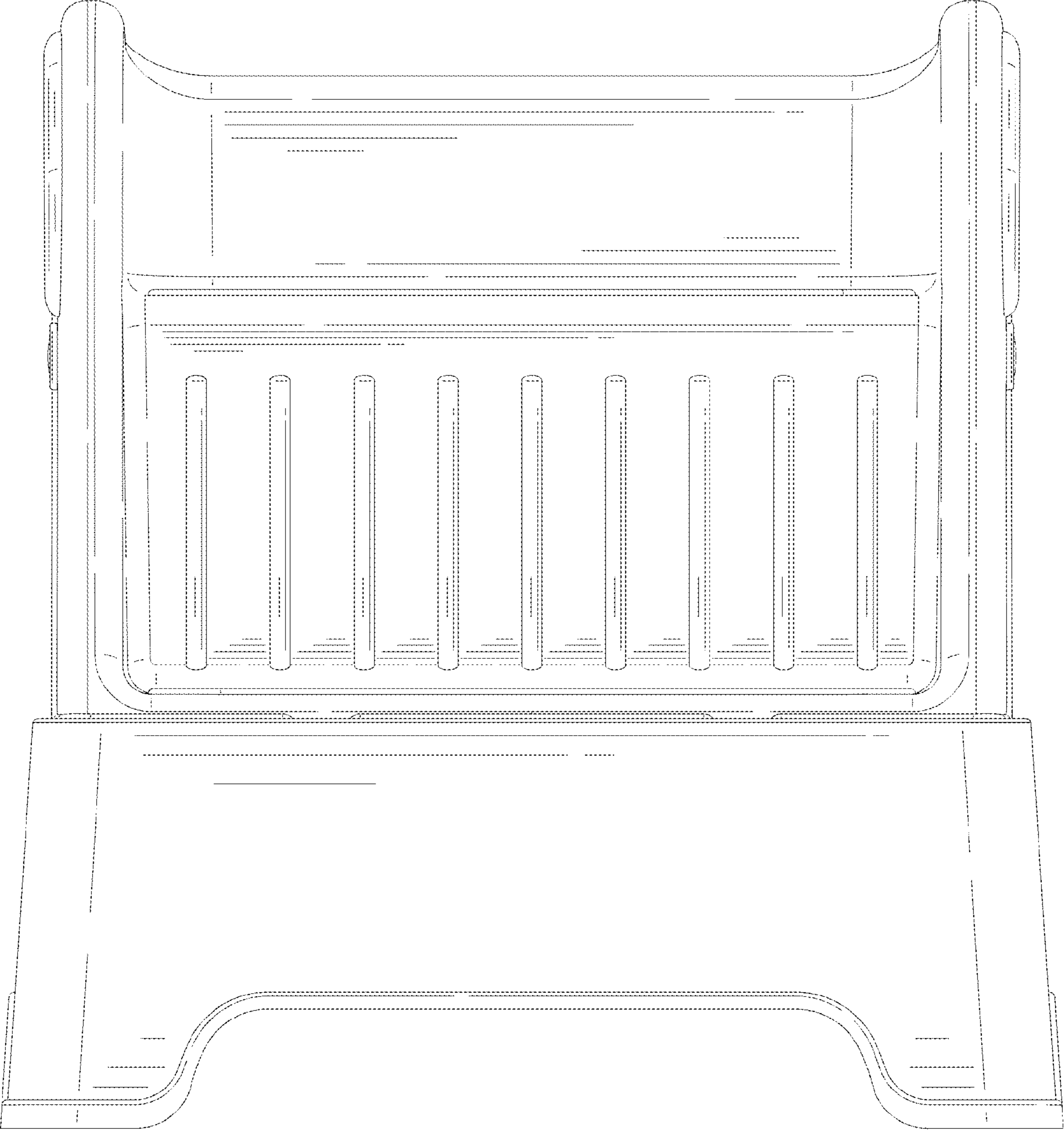


FIG. 3

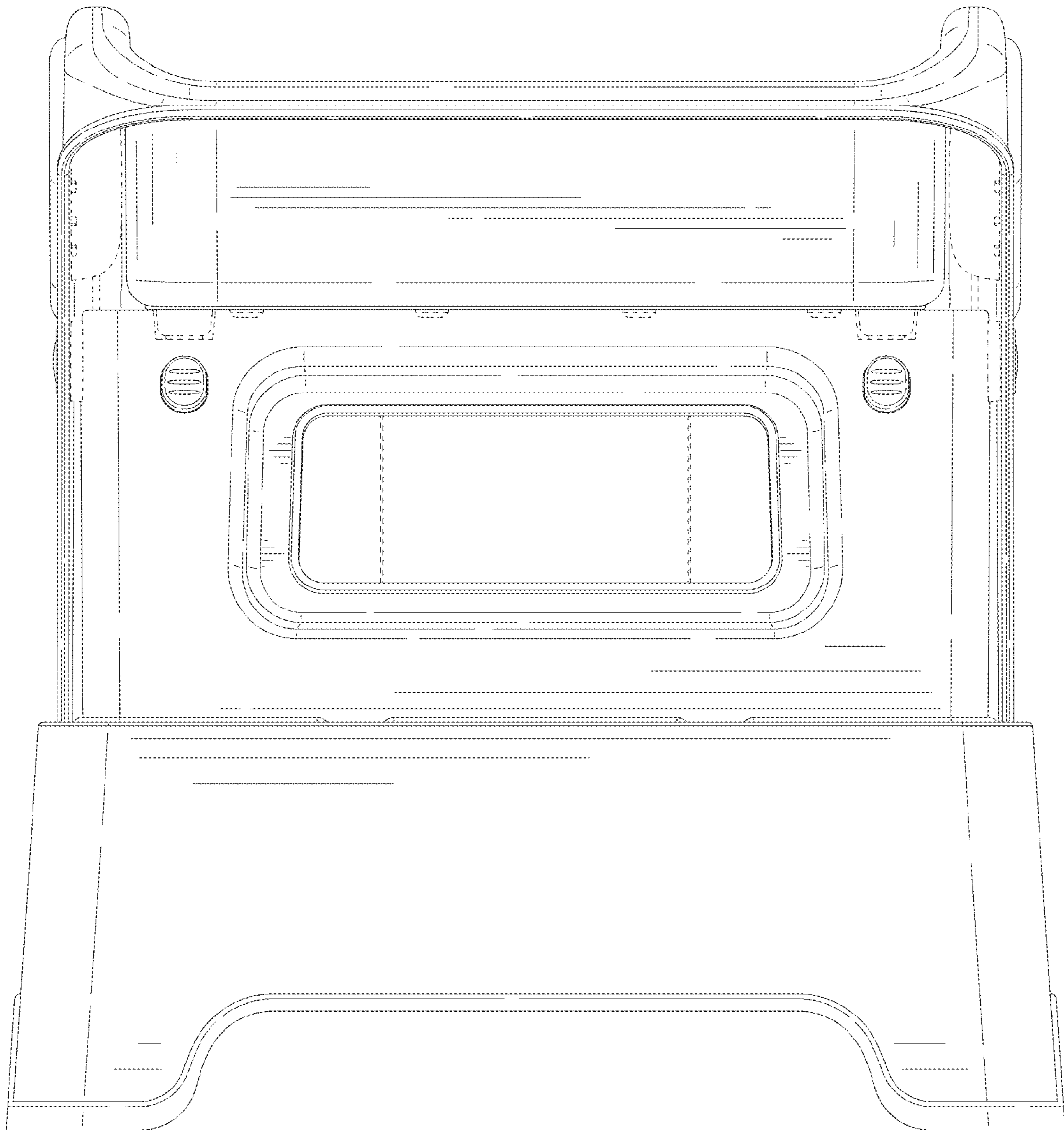


FIG. 4

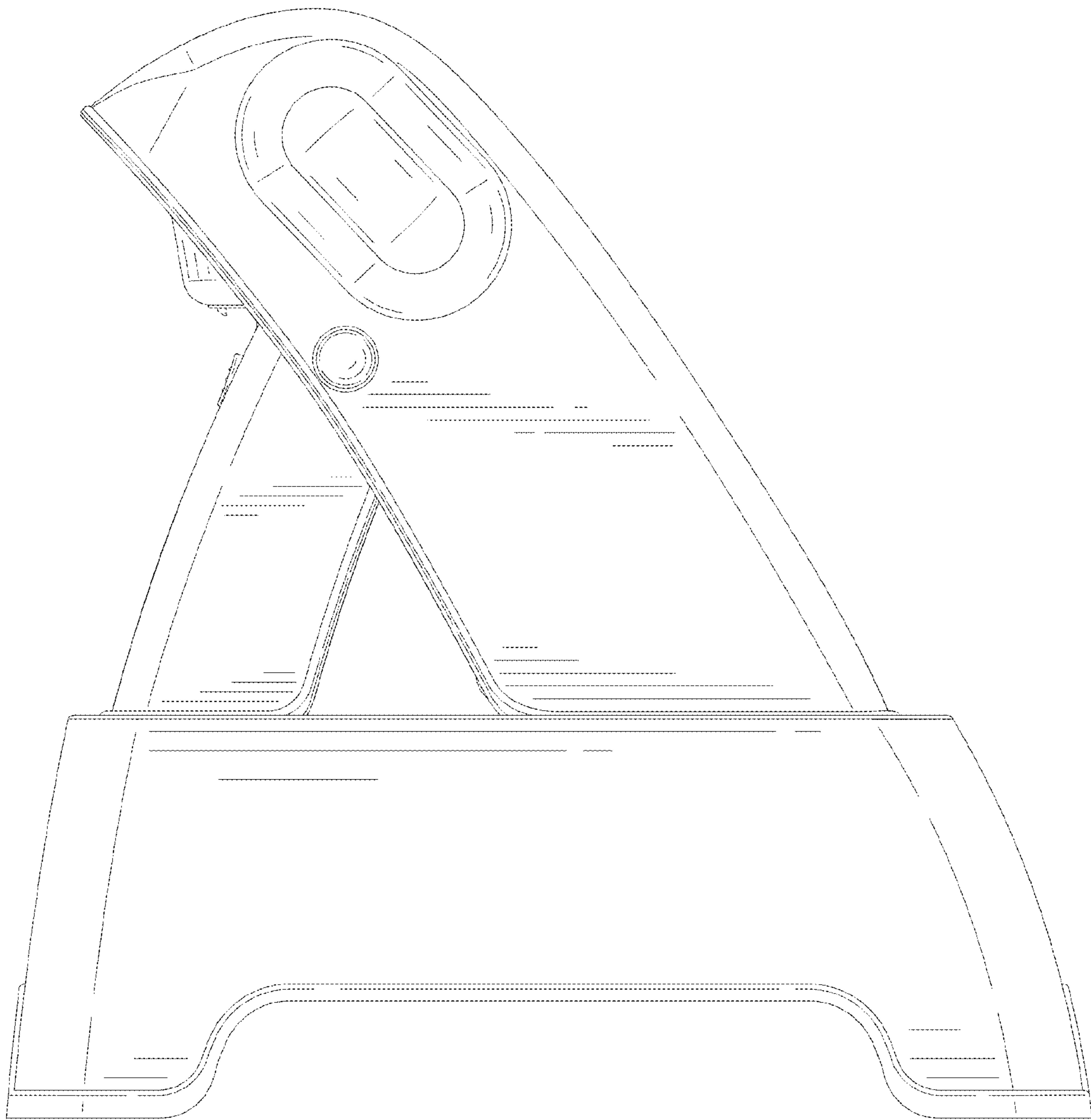


FIG. 5

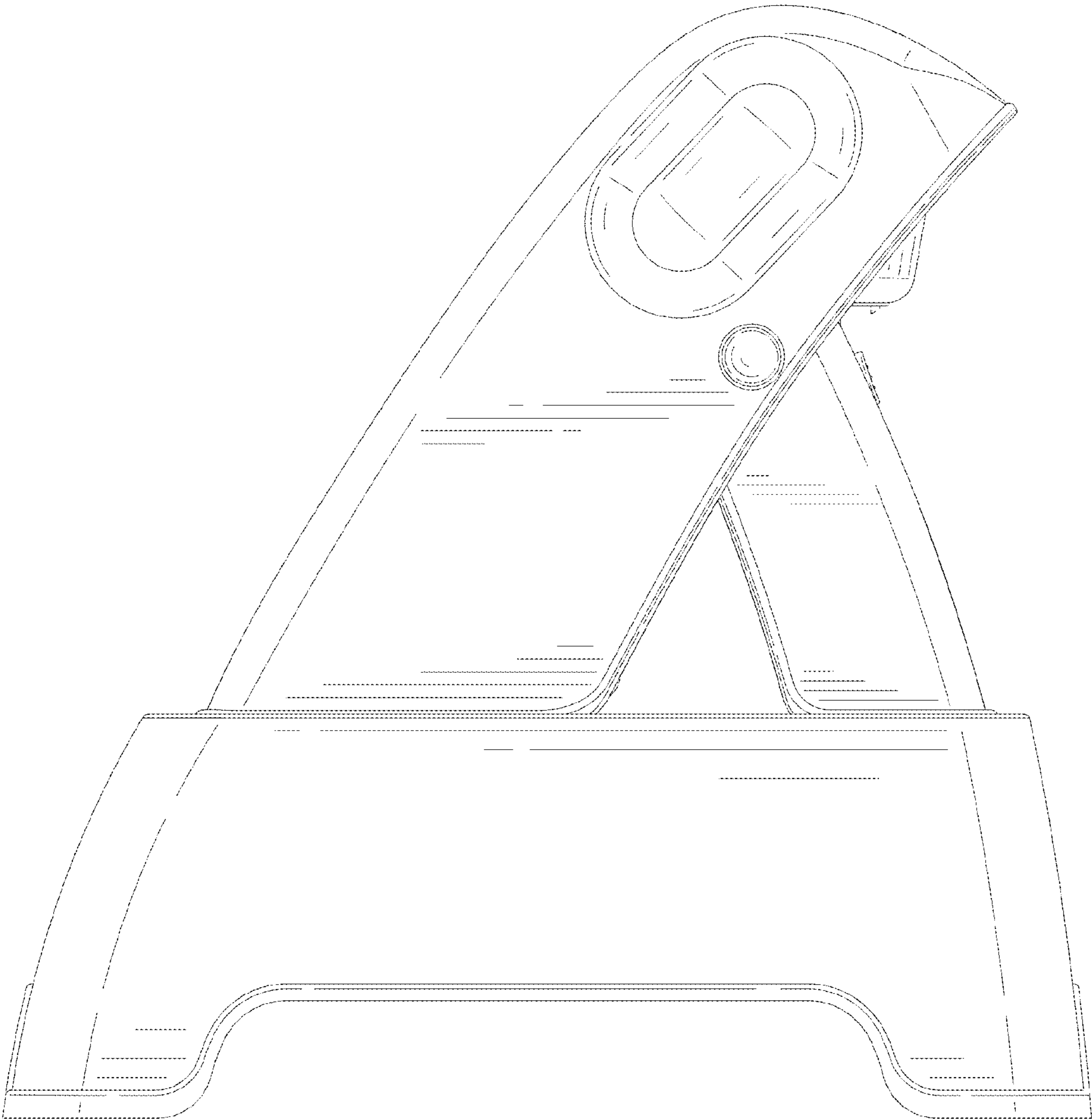


FIG. 6

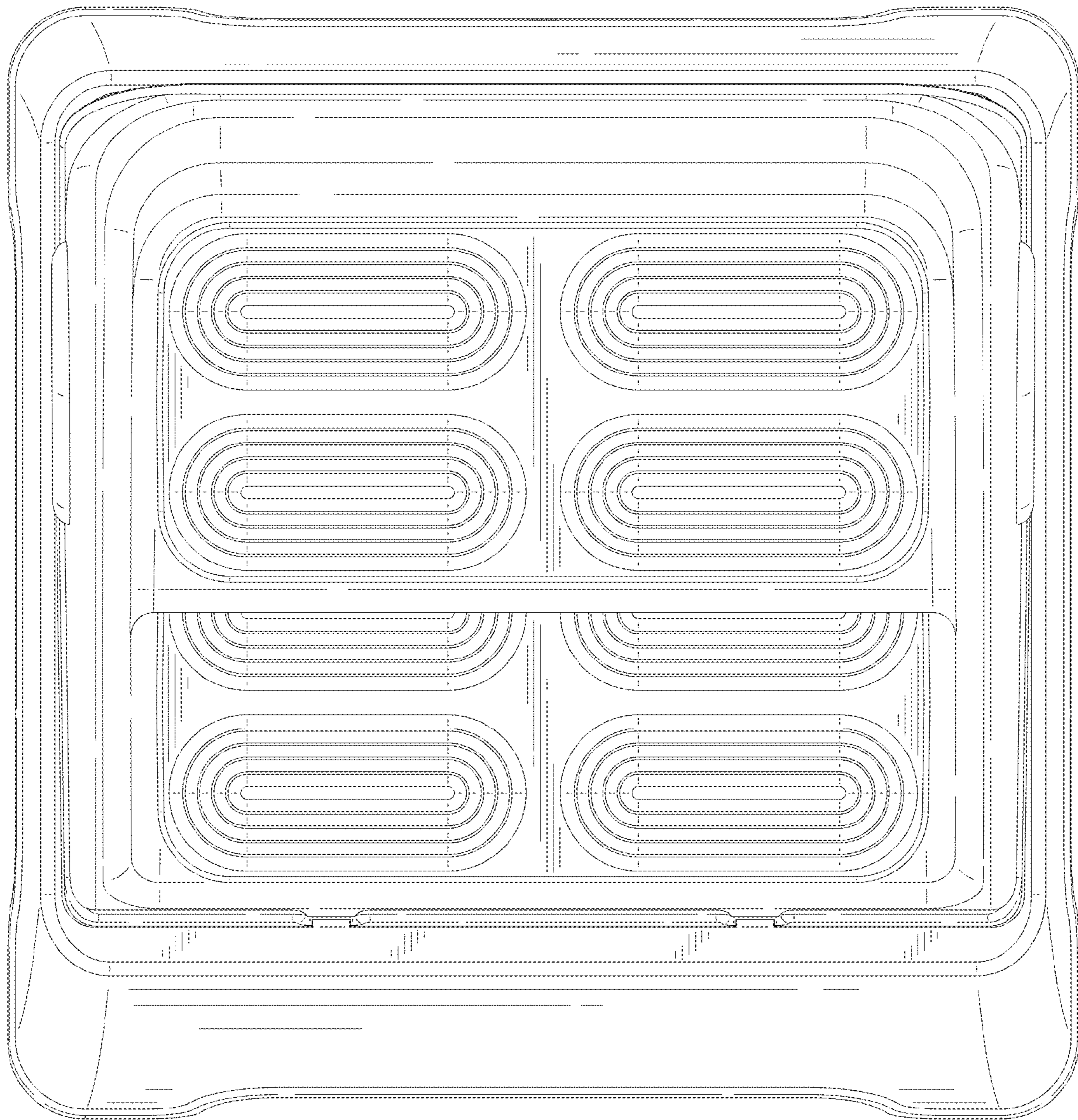


FIG. 7



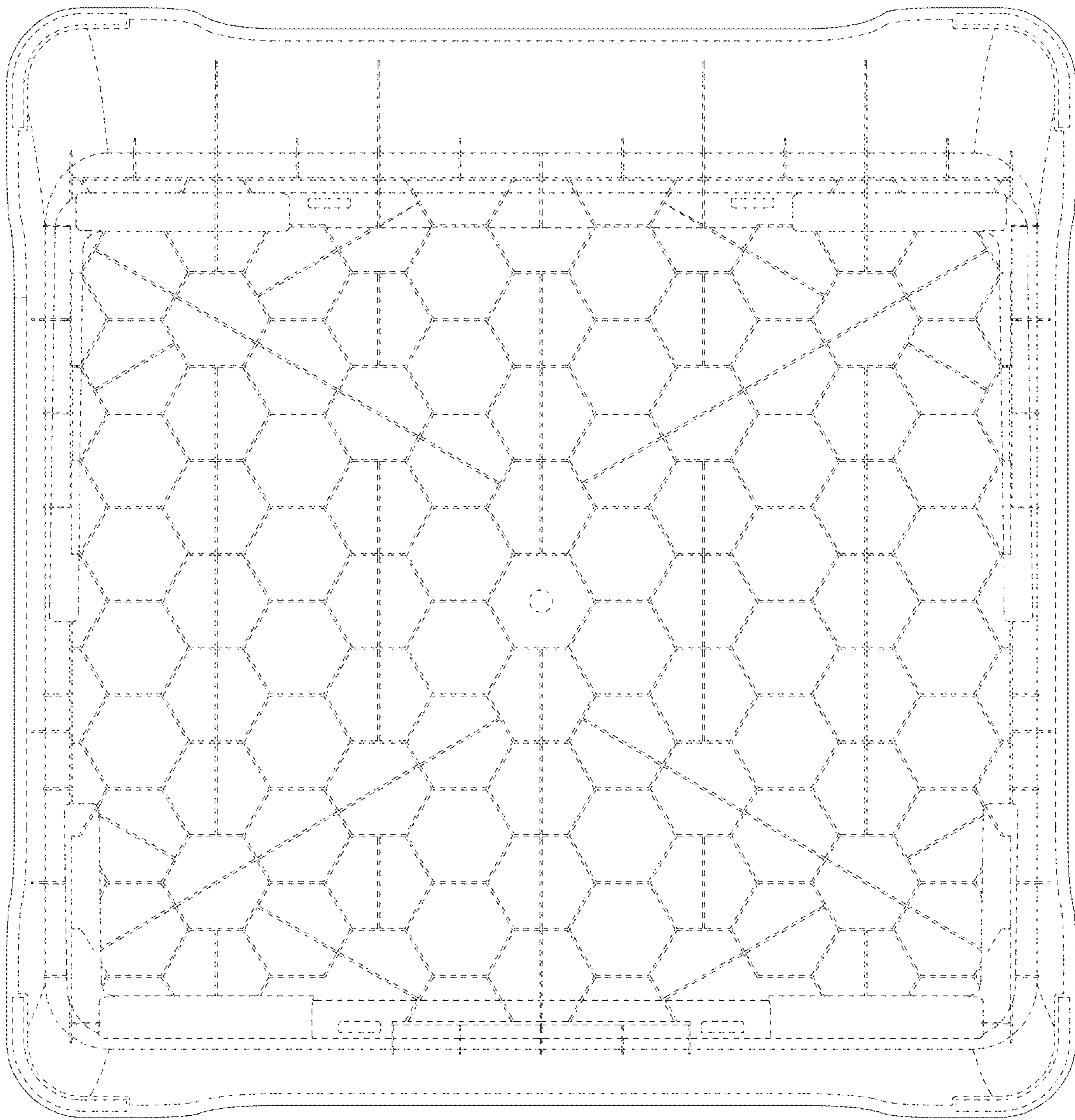


FIG. 8

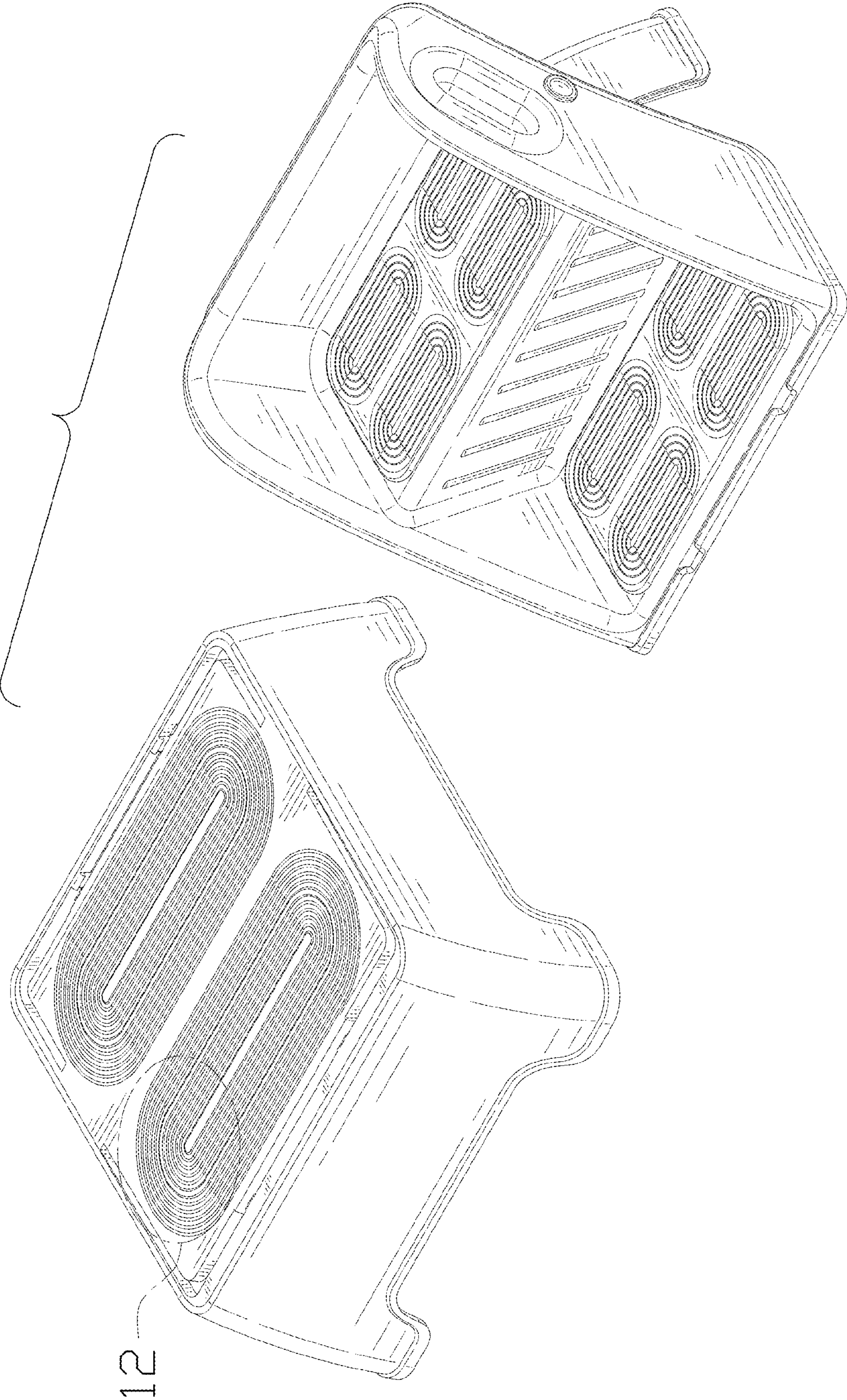


FIG. 9

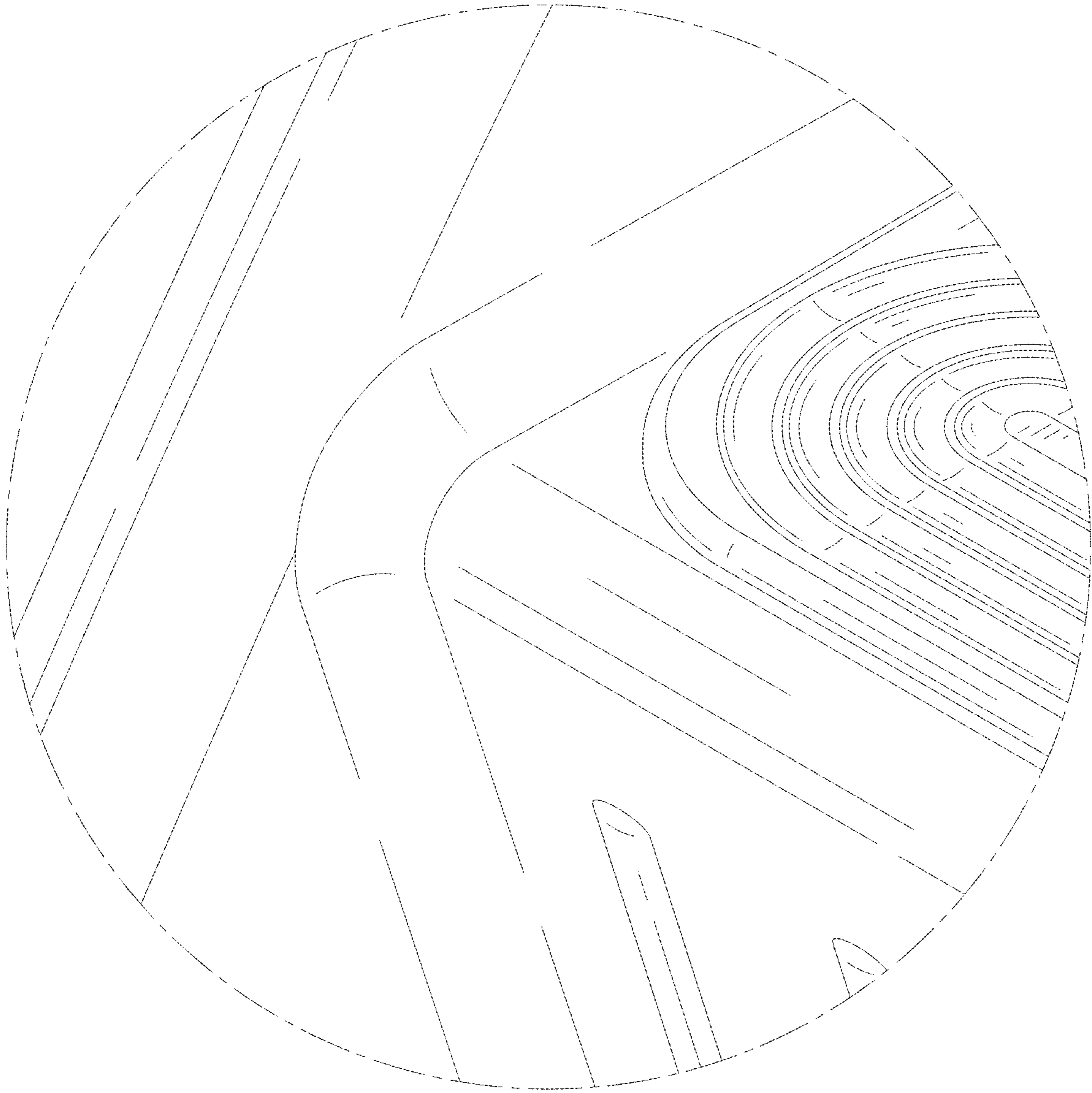


FIG. 10



FIG. 11

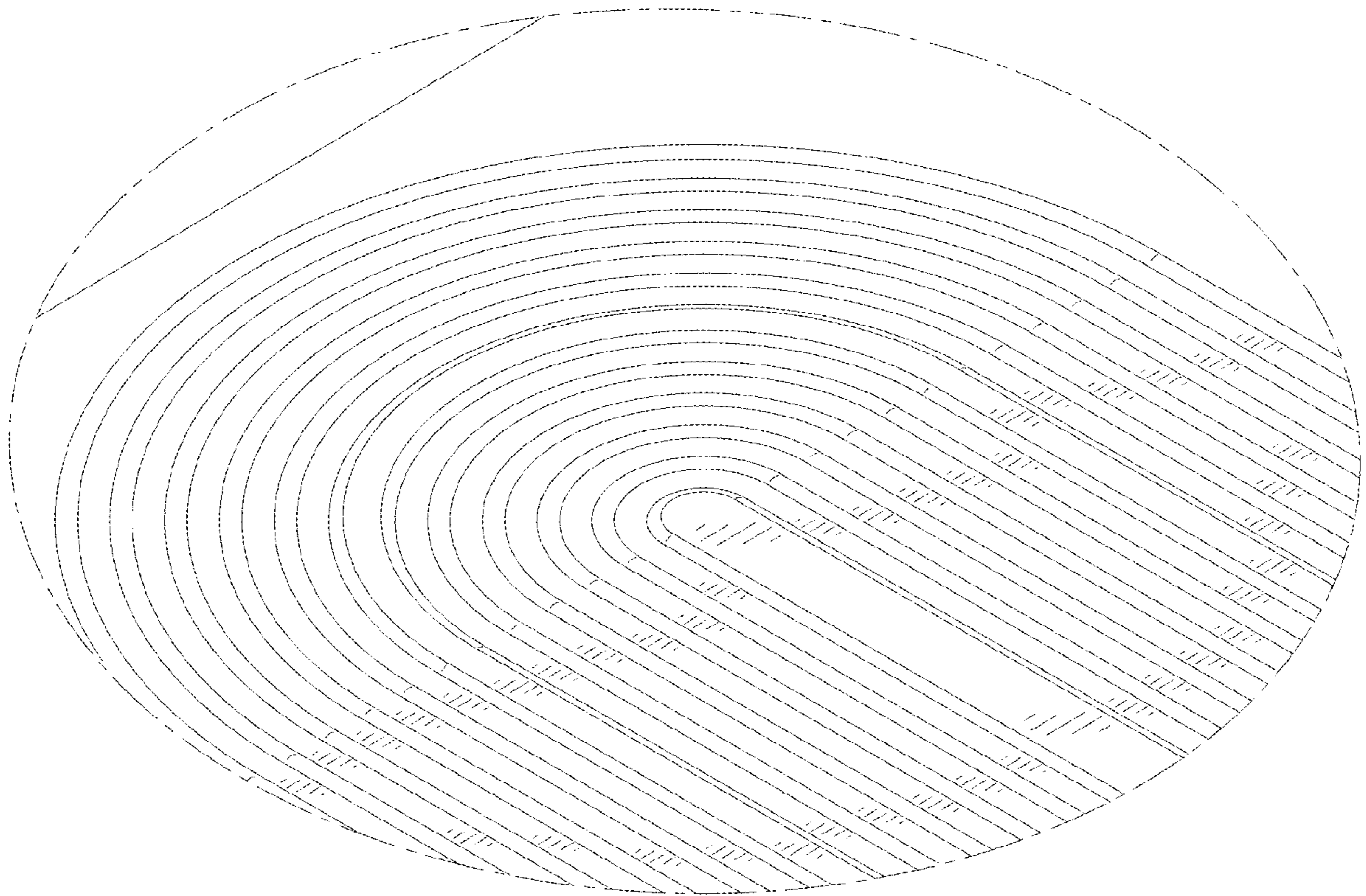


FIG. 12