



US00D976596S

(12) **United States Design Patent**
Dari

(10) **Patent No.:** **US D976,596 S**
(45) **Date of Patent:** **** Jan. 31, 2023**

(54) **FOOT REST**

- (71) Applicant: **Sufyan Malek Ali Dari**, Amman (JO)
- (72) Inventor: **Sufyan Malek Ali Dari**, Amman (JO)
- (**) Term: **15 Years**
- (21) Appl. No.: **29/758,397**
- (22) Filed: **Nov. 15, 2020**
- (51) **LOC (14) Cl.** **06-01**
- (52) **U.S. Cl.**
USPC **D6/349**
- (58) **Field of Classification Search**
USPC D6/334, 335, 336, 349, 350, 351, 353,
D6/675, 685, 355, 657, 663, 691.7, 691;
D21/522
CPC . A01J 1/00; A01K 97/22; A47C 3/025; A47C
17/045; A47C 12/00; A47C 13/00
See application file for complete search history.

(56) **References Cited**

U.S. PATENT DOCUMENTS

4,458,963	A *	7/1984	Keddie	A47C 13/00 312/902
D276,861	S *	12/1984	Keddie	D6/350
D367,967	S *	3/1996	Calmeise	D6/349
D407,569	S *	4/1999	Underbrink	D6/349
D705,554	S *	5/2014	Edwards	D6/349
D779,585	S *	2/2017	Dedrick	D17/20
D785,351	S *	5/2017	D'Angelo	D6/349
D801,063	S *	10/2017	Jia	D6/349
D808,672	S *	1/2018	Goetz	D6/349
2015/0359390	A1 *	12/2015	Goetz	A47K 3/281 4/611

OTHER PUBLICATIONS

Demi's Home Shower Foot Rest, available in Amazon.ca, date first available Dec. 6, 2020 [online], Retrieved on May 25, 2022 from URL:https://www.amazon.ca/Demis-Home-Shower-Footer-Rest/dp/B08DJ98VZV/ (Year: 2020).*

* cited by examiner

Primary Examiner — Vy N Koenig
Assistant Examiner — Michelle M Reeves
(74) *Attorney, Agent, or Firm* — Cabilly & Co

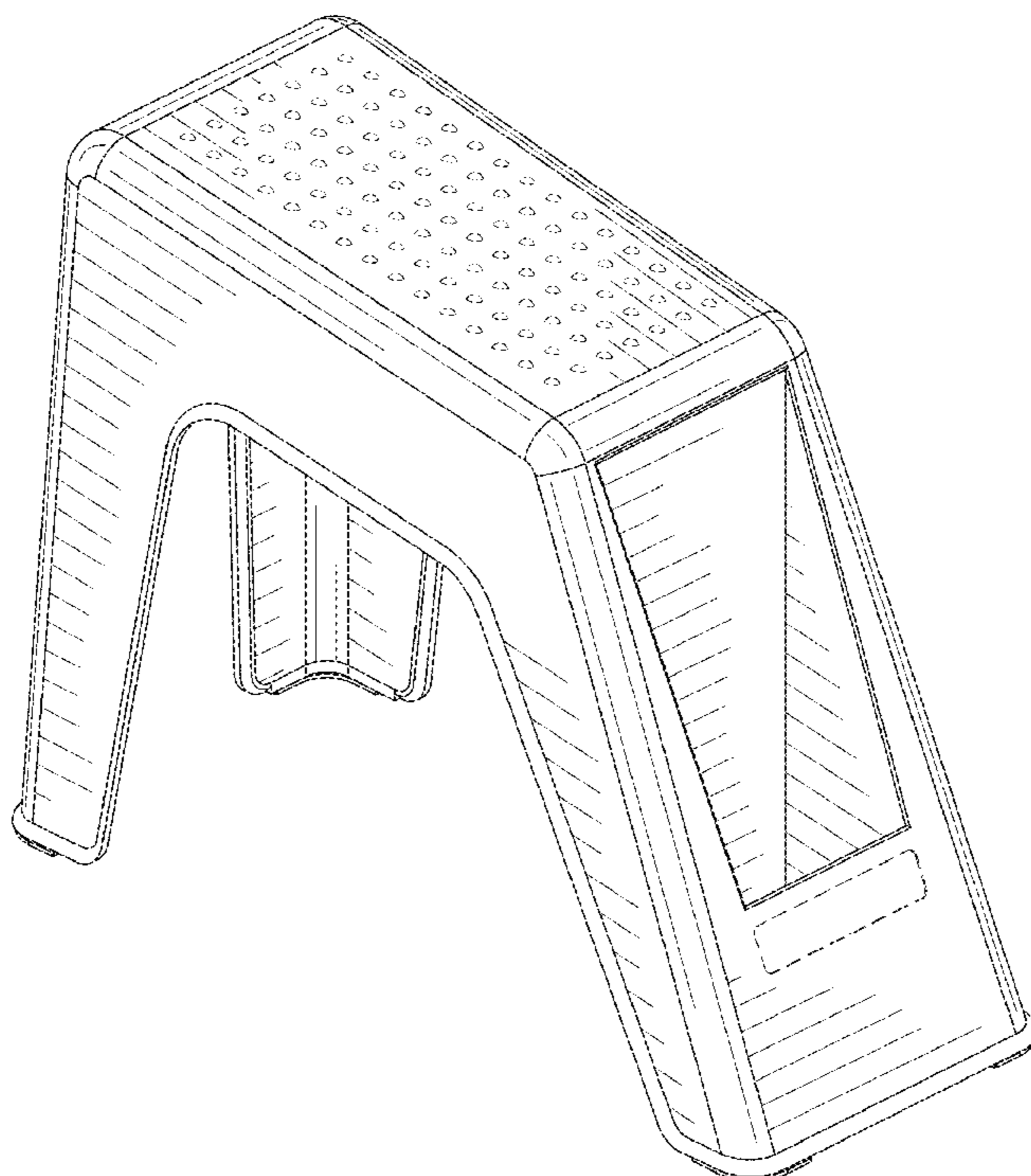
(57) **CLAIM**

The ornamental design for a foot rest, as shown and described.

DESCRIPTION

FIG. 1 is a front perspective view of a foot rest in accordance with the new design;
FIG. 2 is a rear perspective view thereof;
FIG. 3 is a front view thereof;
FIG. 4 is a rear view thereof;
FIG. 5 is a left side view thereof;
FIG. 6 is a right side view thereof;
FIG. 7 is a top view thereof; and,
FIG. 8 is a bottom view thereof.
The broken lines shown in the drawings illustrate portions of the foot rest and form no part of the claimed design.

1 Claim, 8 Drawing Sheets



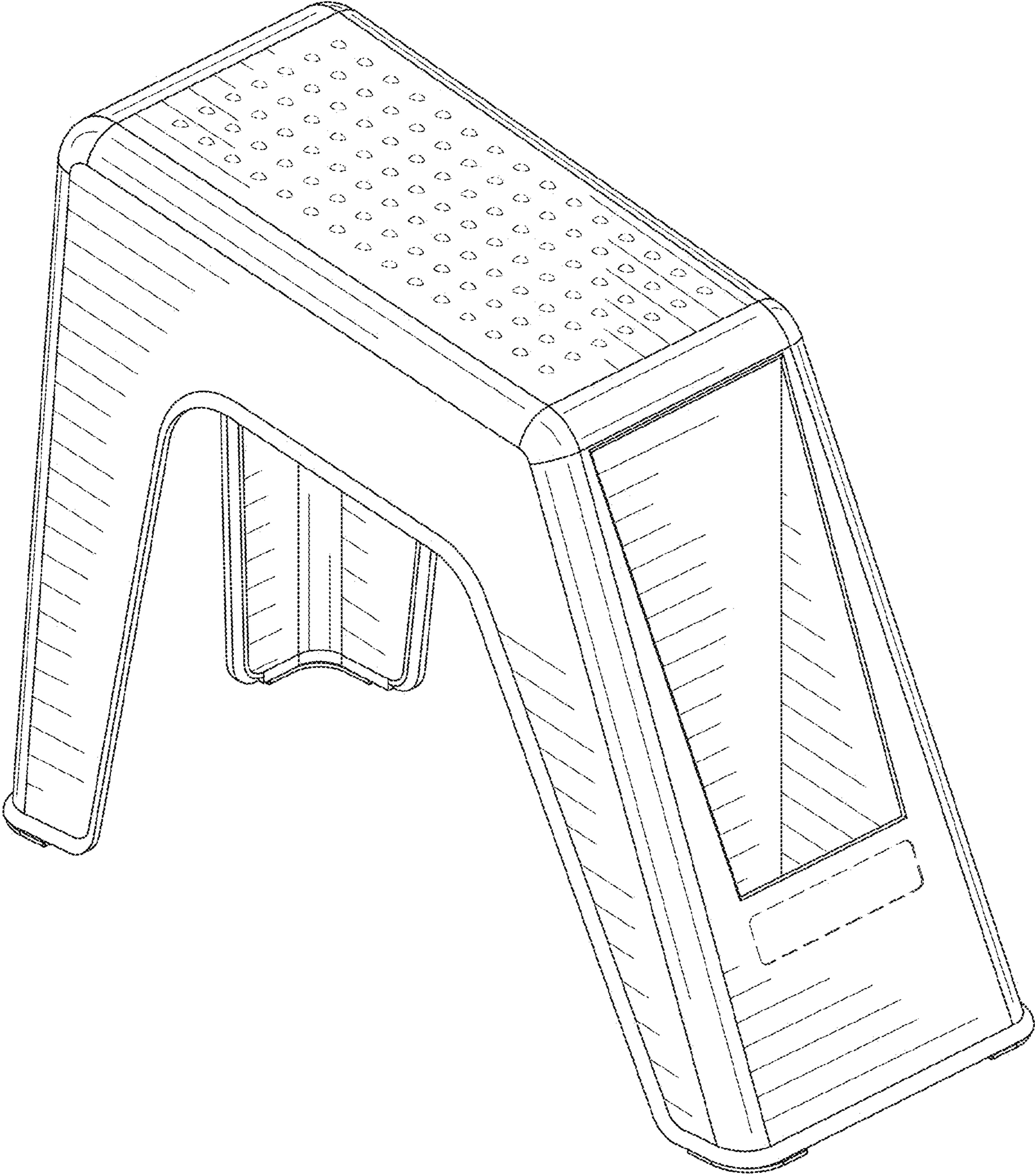


FIG.1

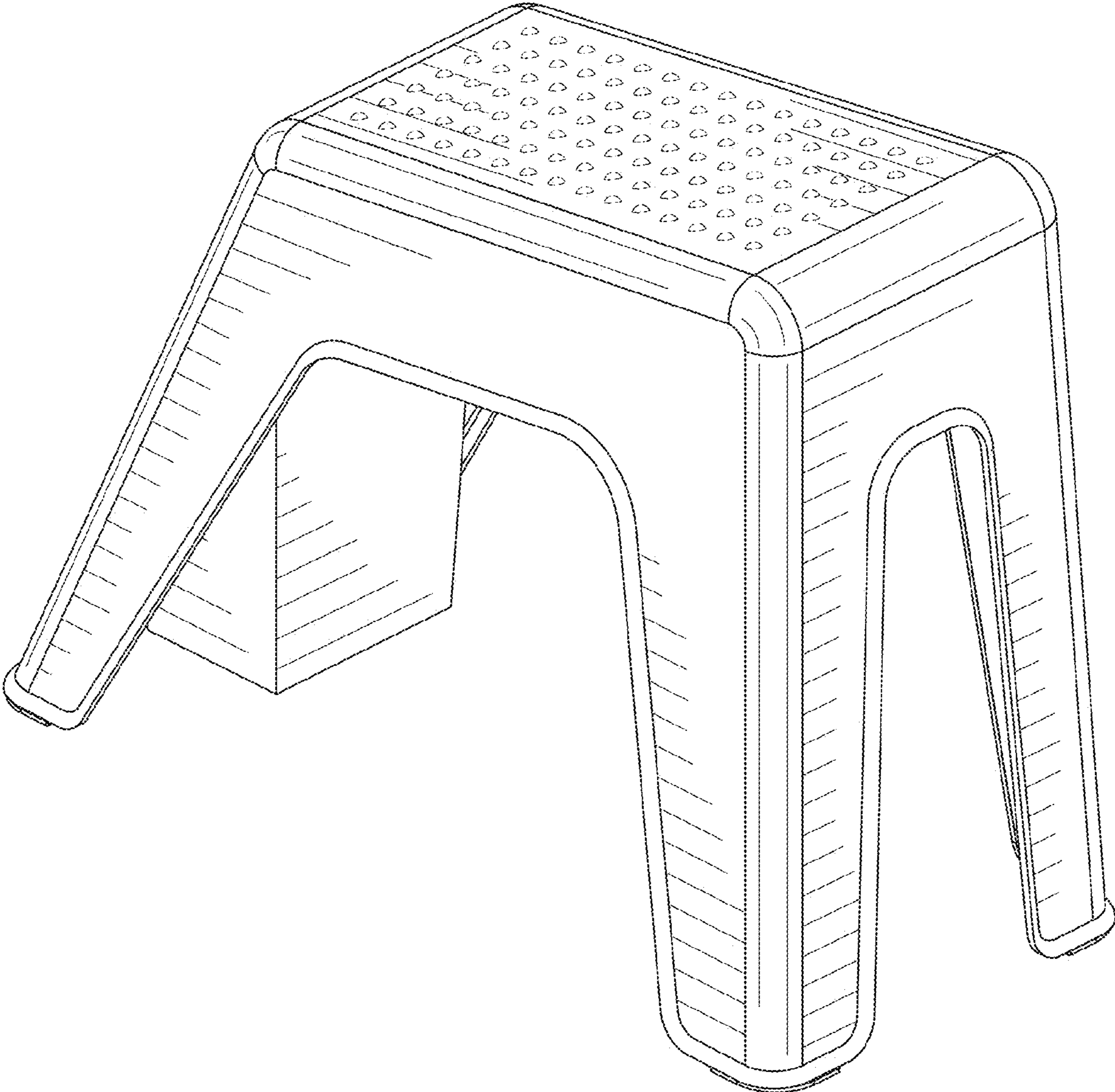


FIG.2

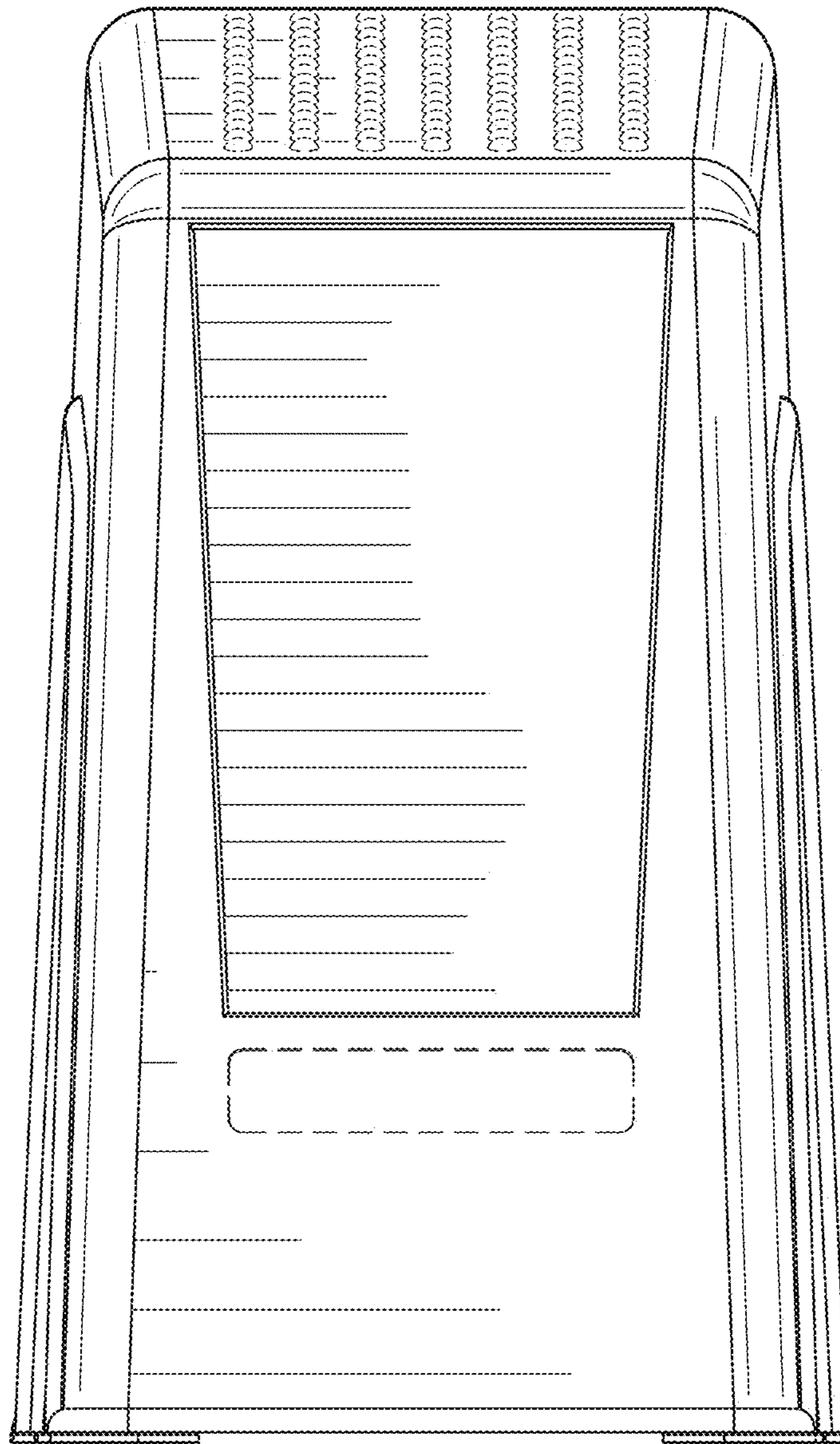


FIG. 3

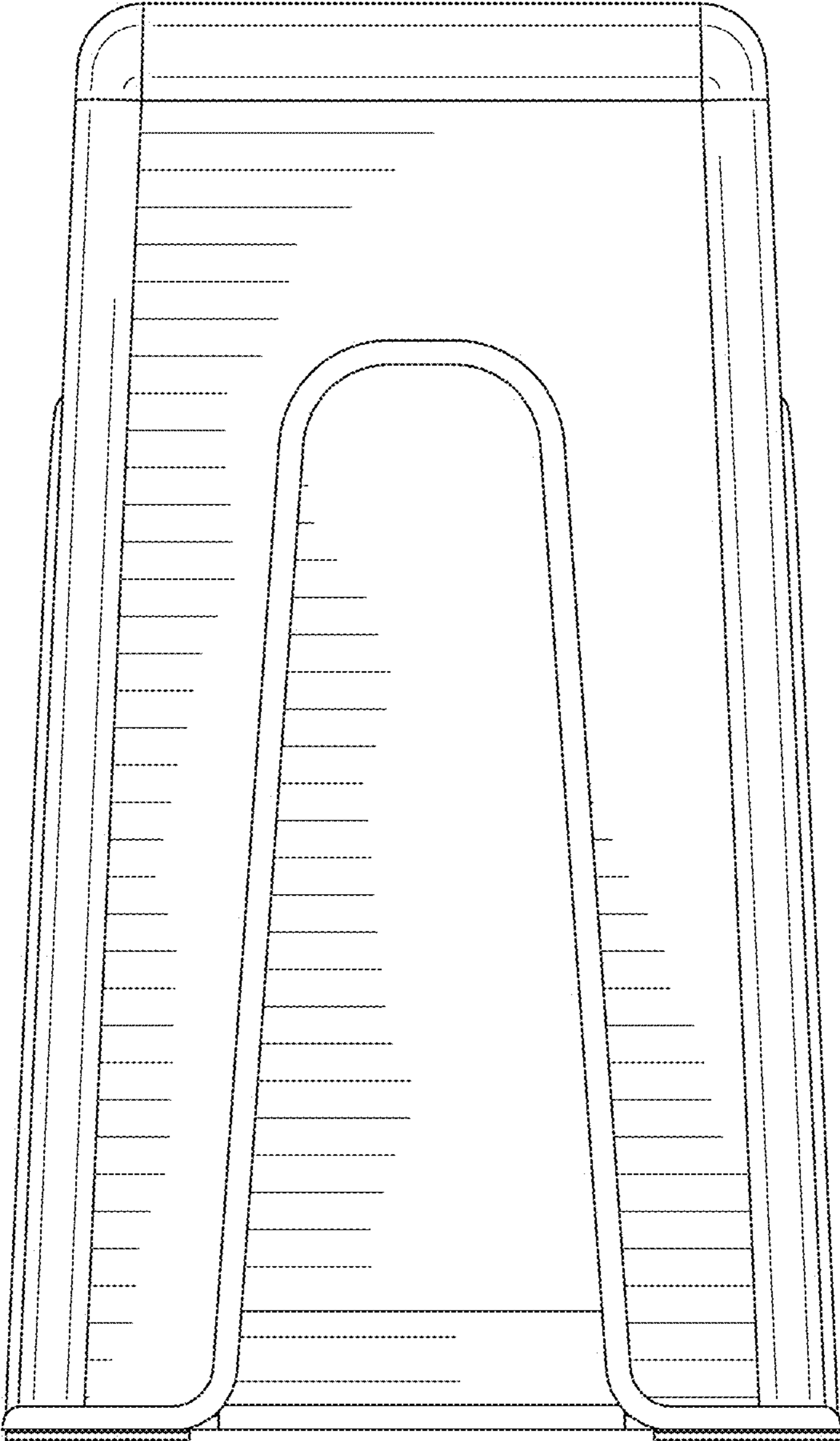


FIG. 4

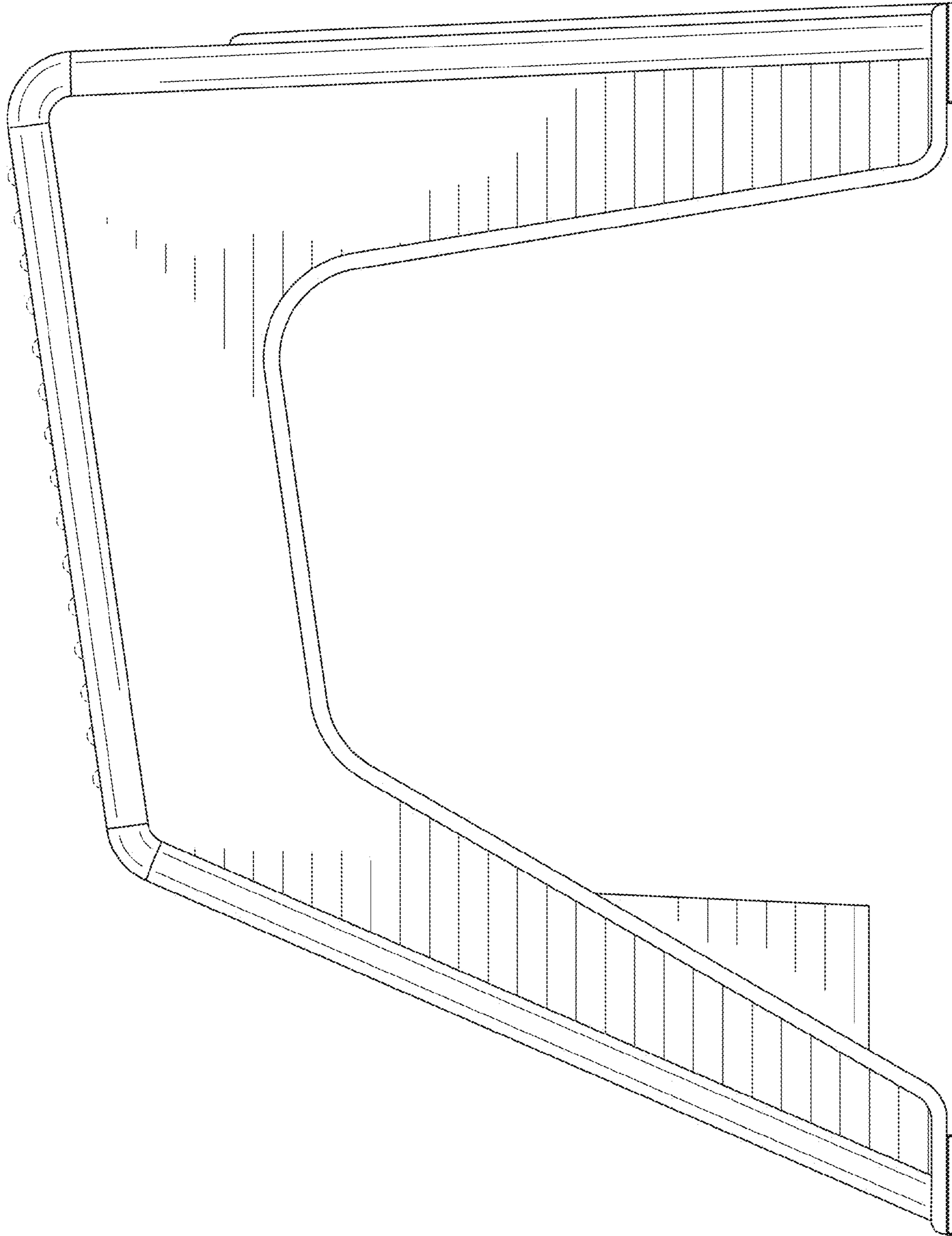


FIG. 5

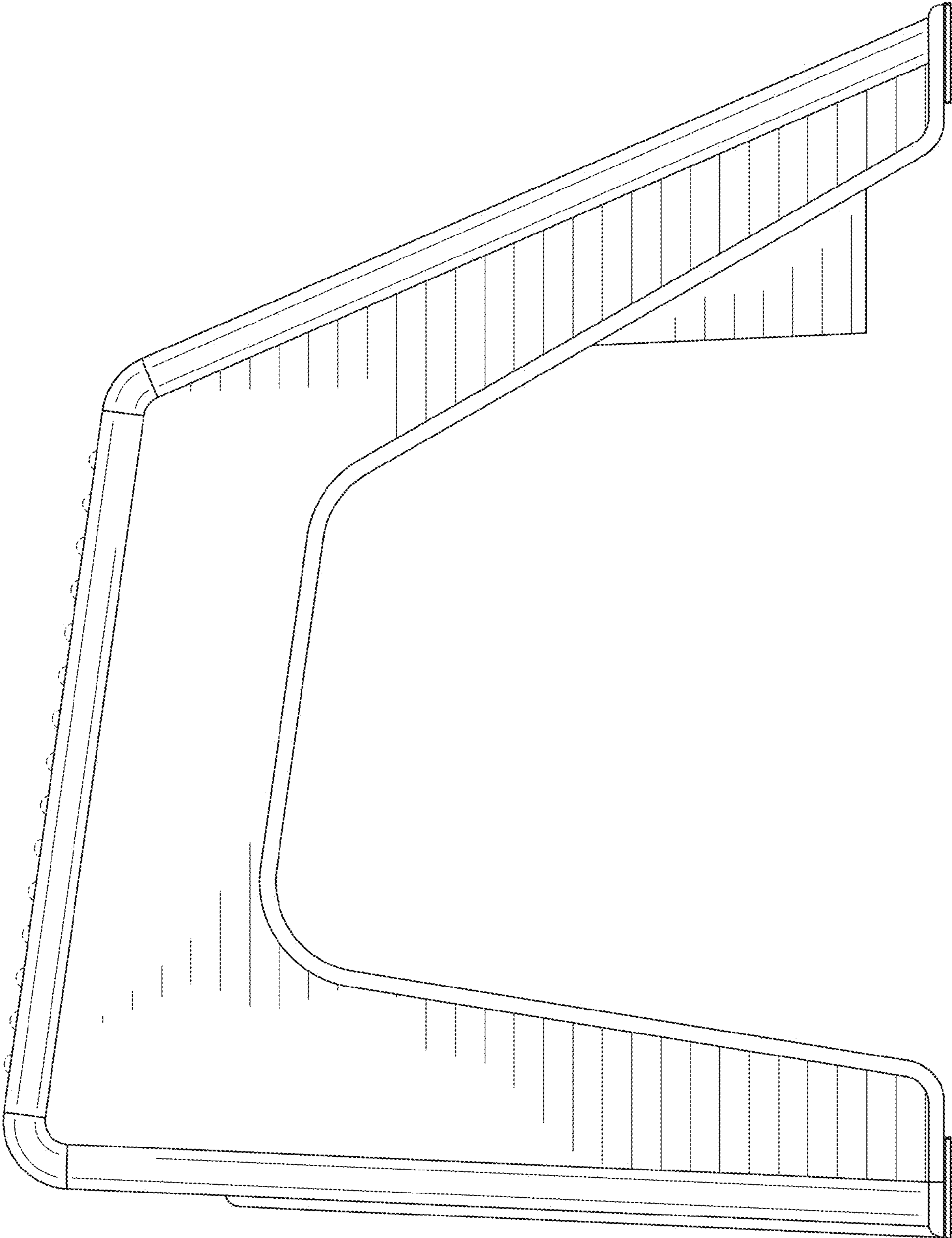


FIG. 6

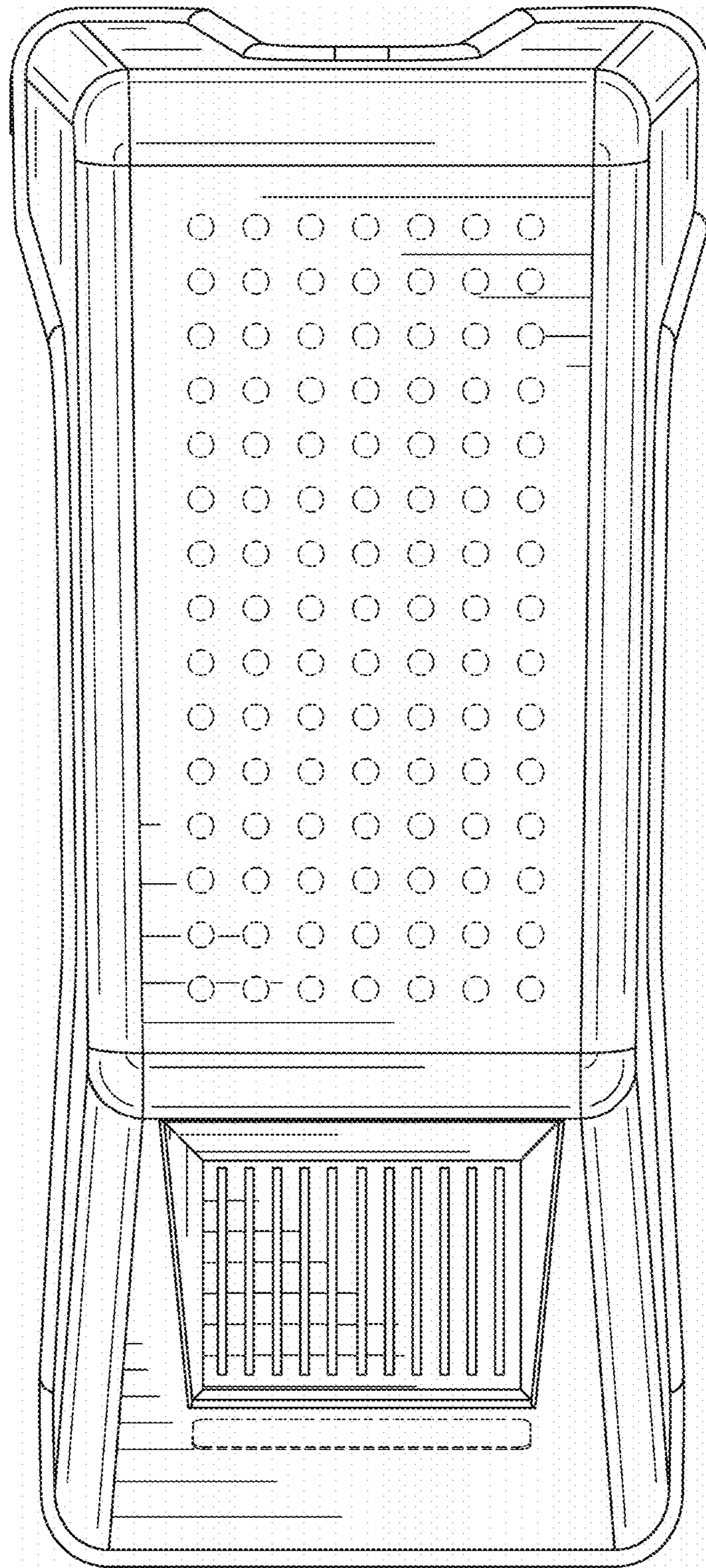


FIG. 7

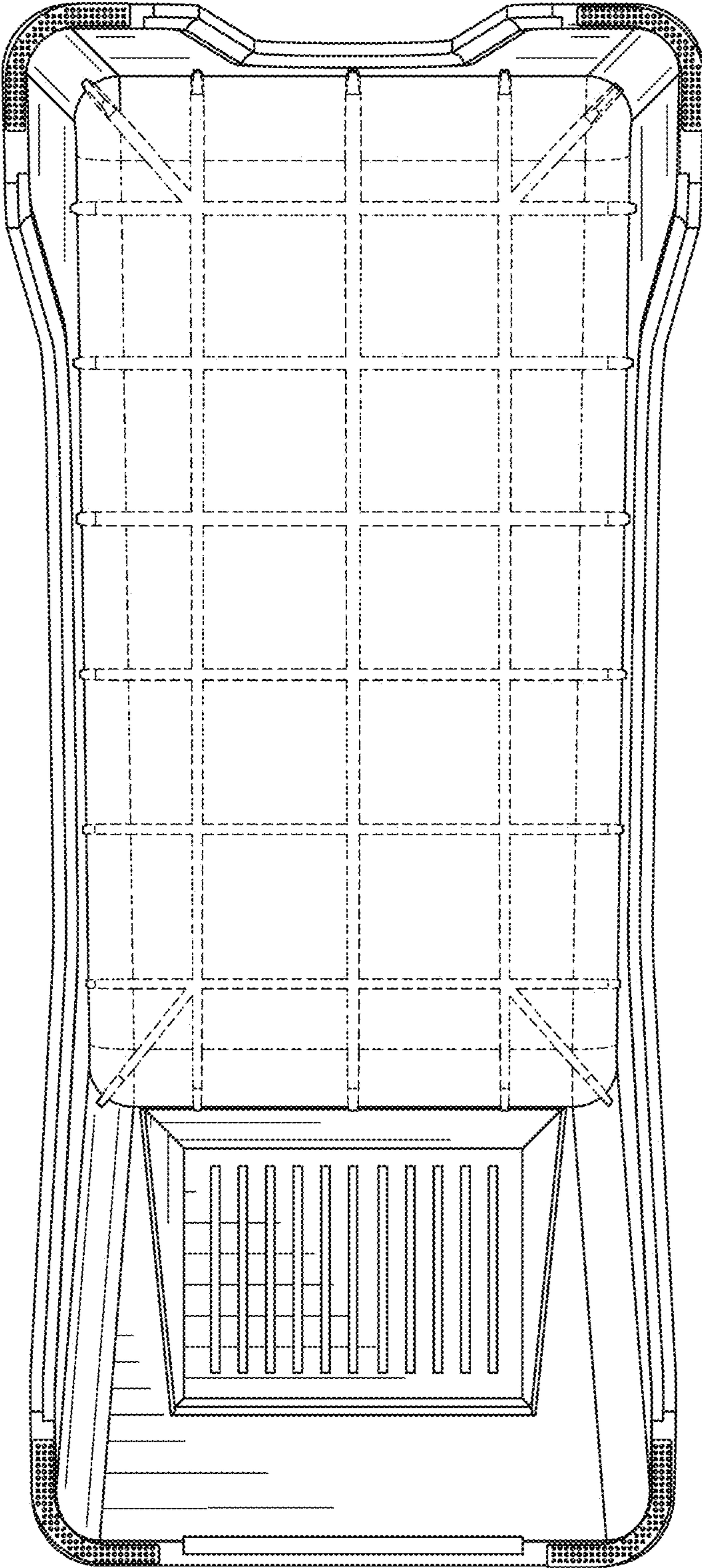


FIG. 8