



US00D976592S

(12) **United States Design Patent**
Sims

(10) **Patent No.:** **US D976,592 S**
(45) **Date of Patent:** **** Jan. 31, 2023**

(54) **BRUSH COVER**

(71) Applicant: **Marcus Sims**, Maple Grove, MN (US)

(72) Inventor: **Marcus Sims**, Maple Grove, MN (US)

(**) Term: **15 Years**

(21) Appl. No.: **29/770,021**

(22) Filed: **Feb. 9, 2021**

(51) **LOC (14) Cl.** **04-02**

(52) **U.S. Cl.**
USPC **D4/199**

(58) **Field of Classification Search**

USPC D4/121, 127, 135, 138; 15/106, 159.1,
15/160, 176.1, 184, 190-194; 132/289,
132/294, 298, 313, 317, 320; 401/123,
401/141, 175, 281
CPC A46B 7/026; A46B 5/005; A46B 17/04;
A46B 2200/1046

See application file for complete search history.

(56) **References Cited**

U.S. PATENT DOCUMENTS

1,498,302	A	6/1924	Satake	
2,262,753	A	11/1941	Brennan	
D401,765	S *	12/1998	Soutullo	D9/415
6,142,695	A	11/2000	Byun	
7,207,437	B1	4/2007	Johansson	
D545,065	S *	6/2007	Smith	D4/199
7,370,383	B1 *	5/2008	Chinowsky Wink	
			A46B 5/0033	
			206/362.2	
D572,488	S *	7/2008	Sakurai	D4/199
7,794,168	B2 *	9/2010	Chang	A46B 17/04
			401/269	
8,061,518	B2	11/2011	Shaughness	
D727,034	S *	4/2015	Lewis	D4/199
9,167,891	B2	10/2015	Shaughness	
D812,381	S *	3/2018	Walls	D4/199
D863,783	S *	10/2019	Meyer	D4/199

D876,103 S * 2/2020 Kim D4/199
D876,104 S * 2/2020 Kim D4/199
10,694,840 B2 6/2020 Torno

(Continued)

Primary Examiner — Austin Murphy

(57) **CLAIM**

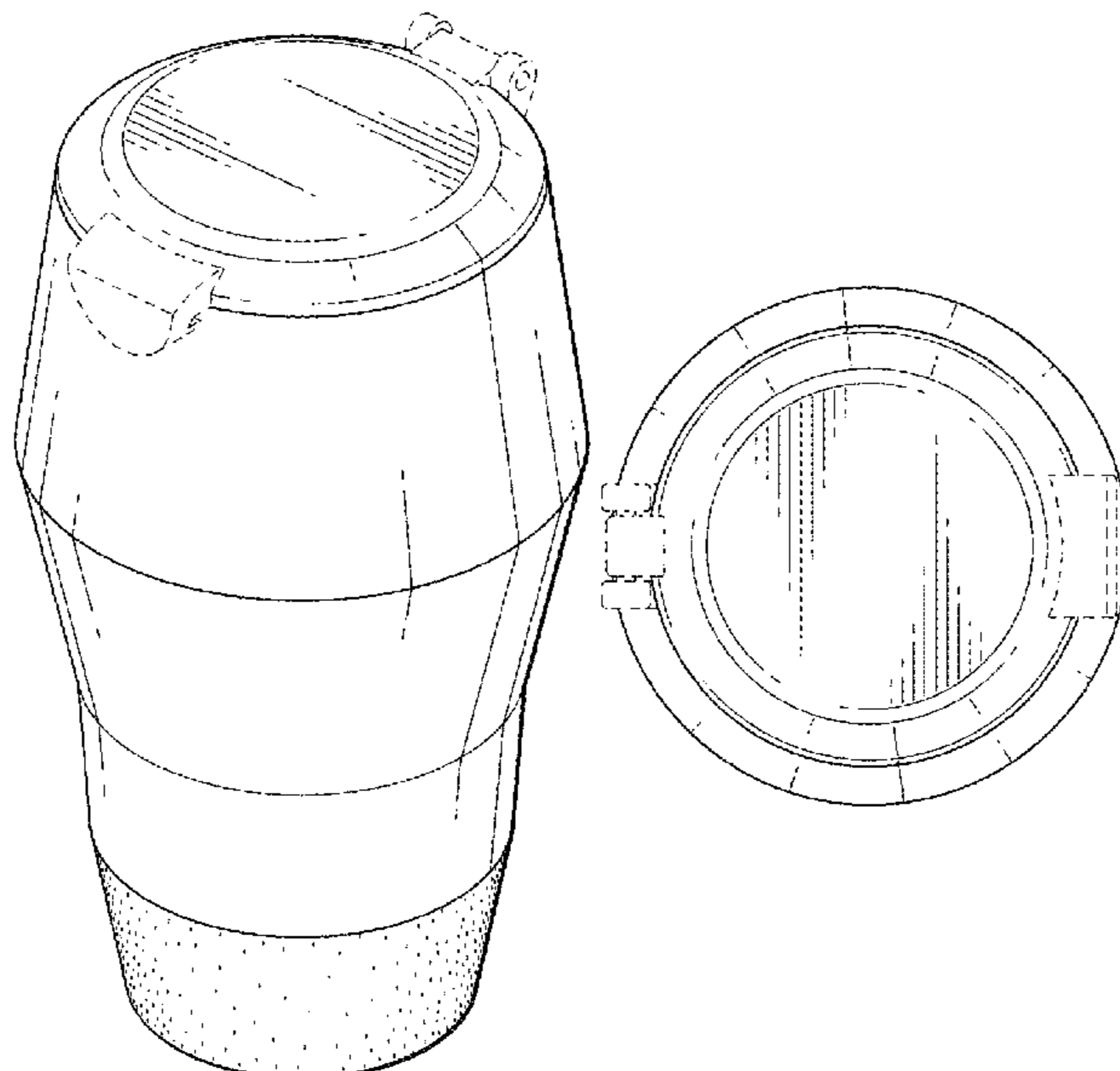
The ornamental design for a brush cover, as shown and described.

DESCRIPTION

FIG. 1 is a front perspective illustration of the brush cover; FIG. 2 is a front perspective view of the brush cover shown in FIG. 1. FIG. 3 is a left side view of the brush cover shown in FIGS. 1-2. FIG. 4 is a back view of the brush cover shown in FIGS. 1-3. FIG. 5 is a front view of the brush cover shown in FIGS. 1-4. FIG. 6 is a top view of the brush cover shown in FIGS. 1-5; and, FIG. 7 is a bottom view of the brush cover shown in FIGS. 1-6.

The present application relates to an ornamental design for a brush cover as shown in the illustrated FIGS. Features of embodiments of the present application shown in broken lines are for illustrative purposes and form no part of the claimed design. In alternate embodiments, features shown in solid lines may be shown in broken lines such that said features form no part of the claimed design and Applicant reserves the right to pursue claims and protection for features shown in broken lines so that their appearance forms part of the claimed design and the right to pursue protection and claims for any combination or subset of the illustrated embodiments and different arrangements of the presently claimed and unclaimed portions of the illustrative embodiments of the design.

1 Claim, 3 Drawing Sheets



(56)

References Cited

U.S. PATENT DOCUMENTS

D894,001 S 8/2020 Huang
D953,044 S * 5/2022 Clayton D4/199
2009/0119863 A1 5/2009 Gallegos

* cited by examiner

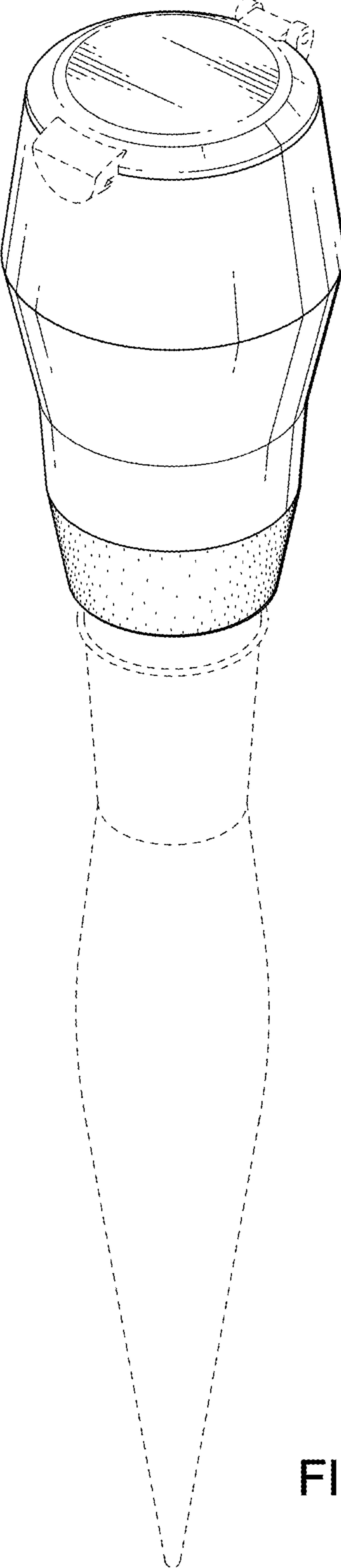


FIG. 1

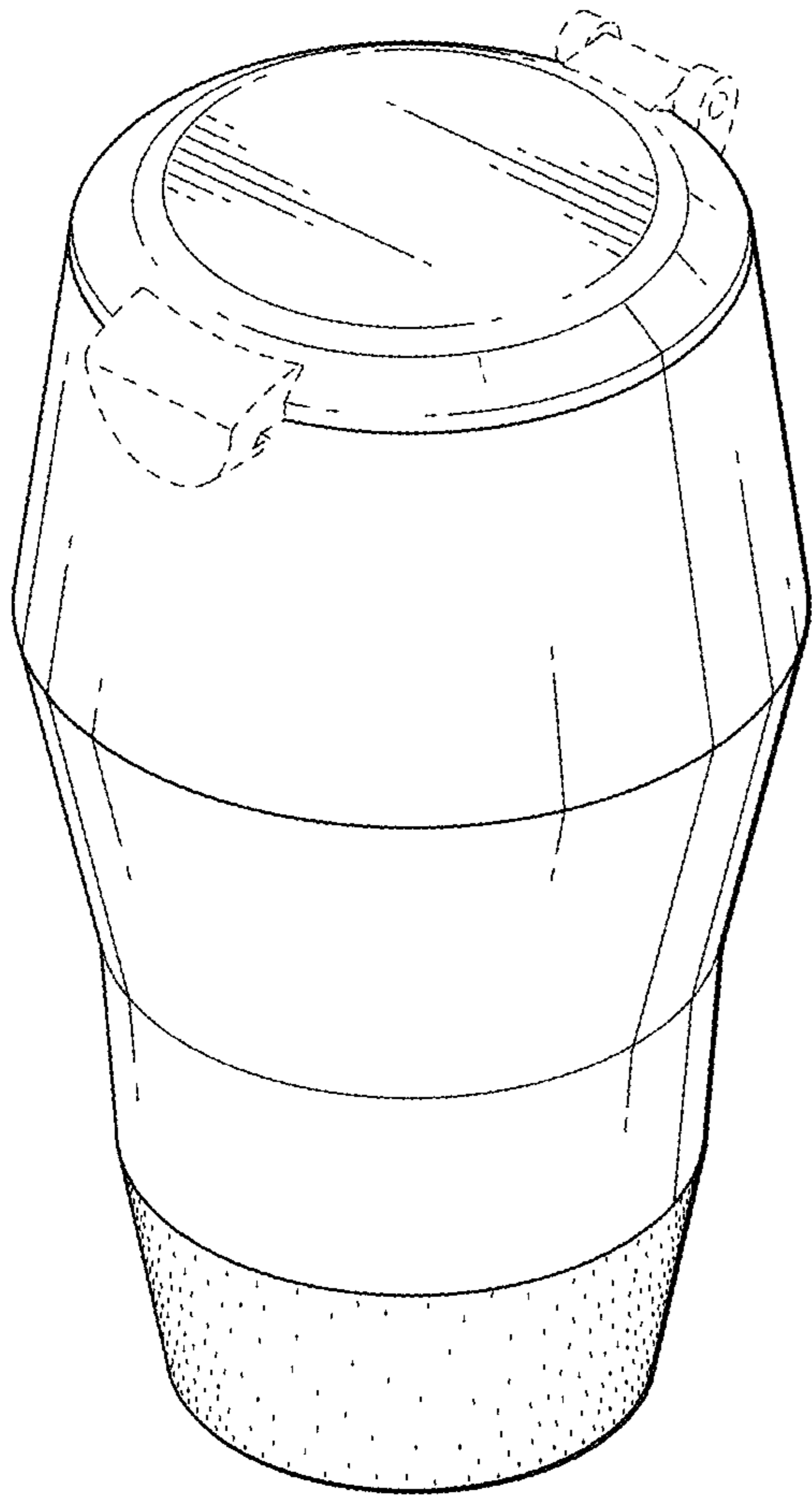


FIG. 2

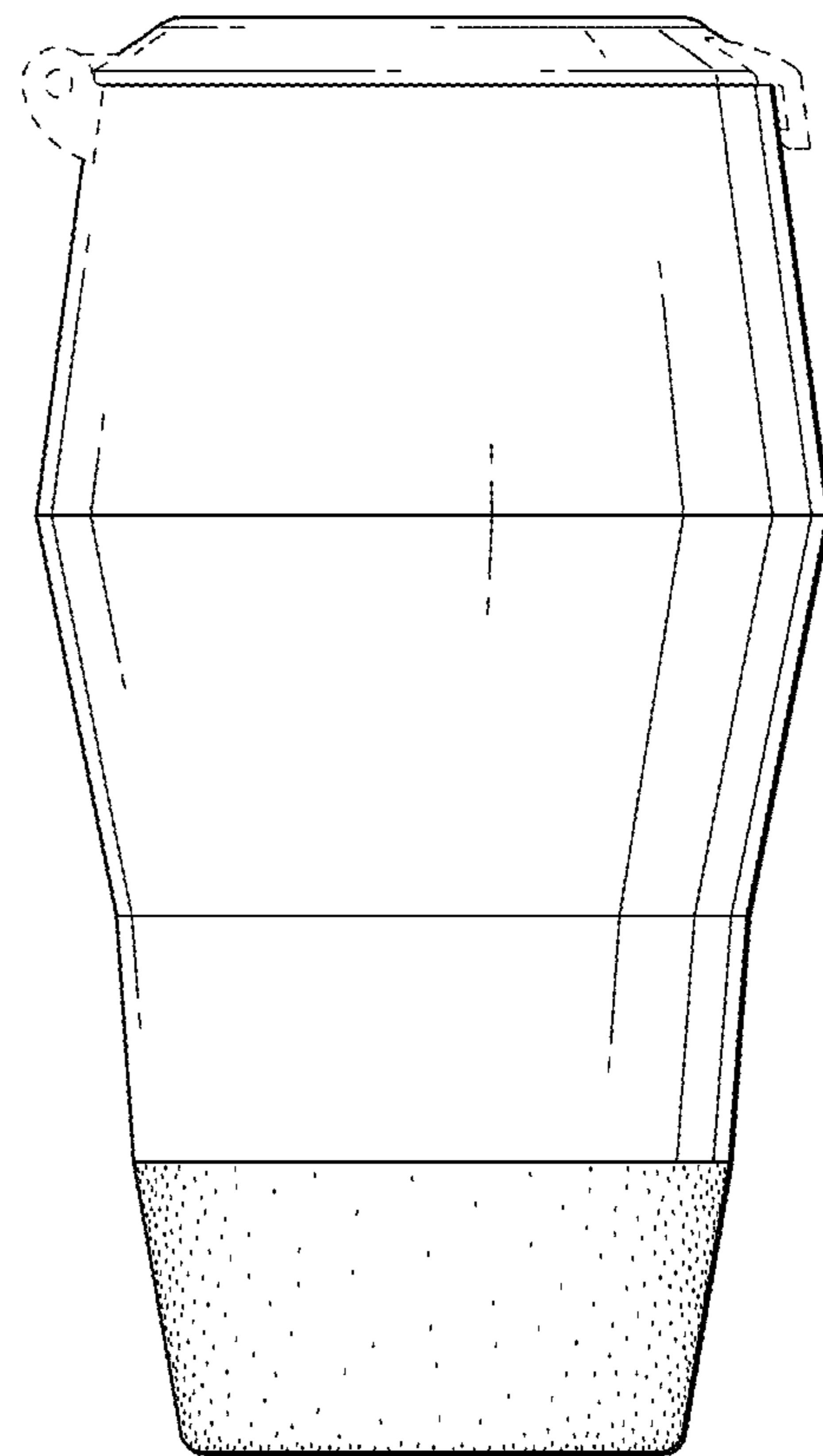


FIG. 3

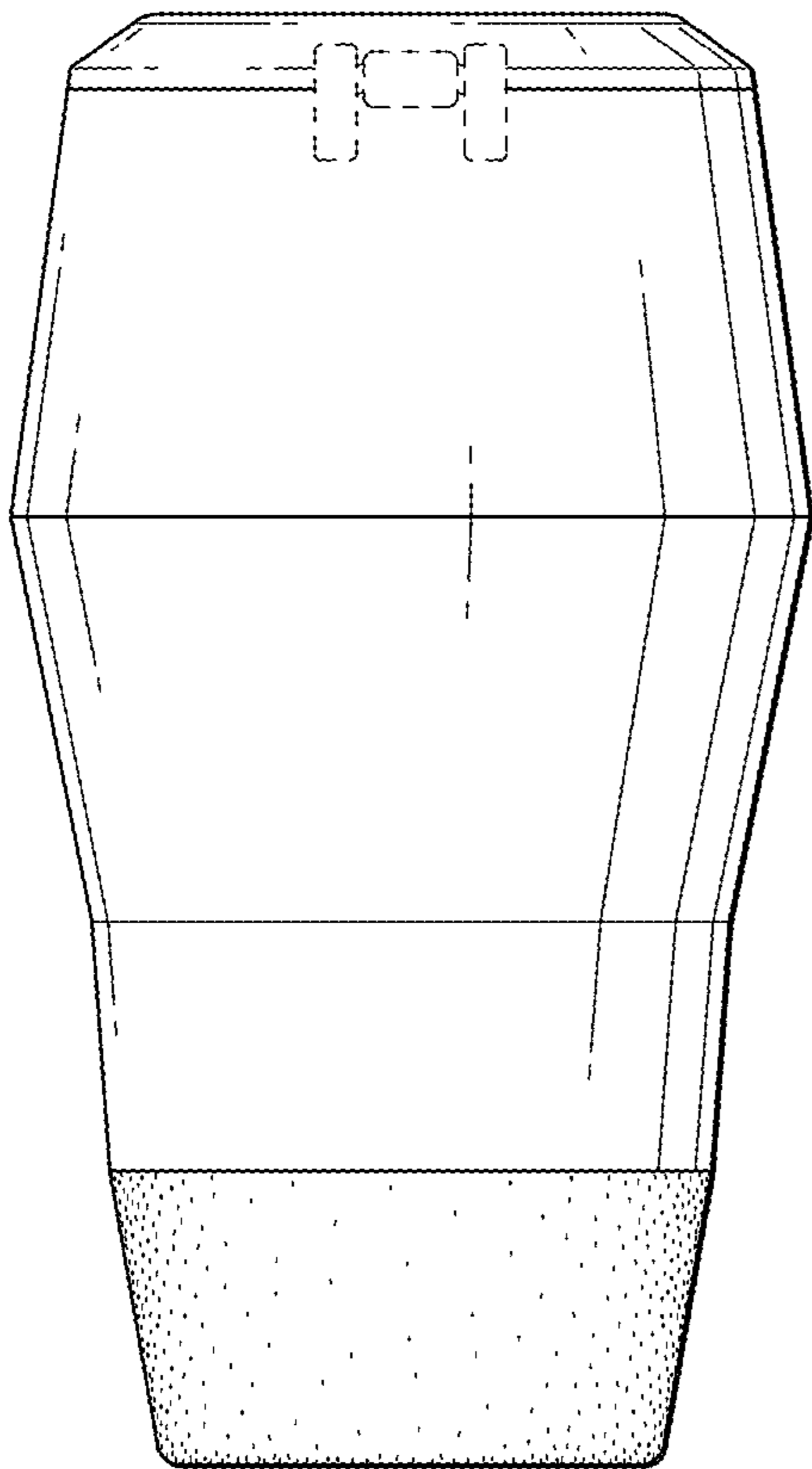


FIG. 4

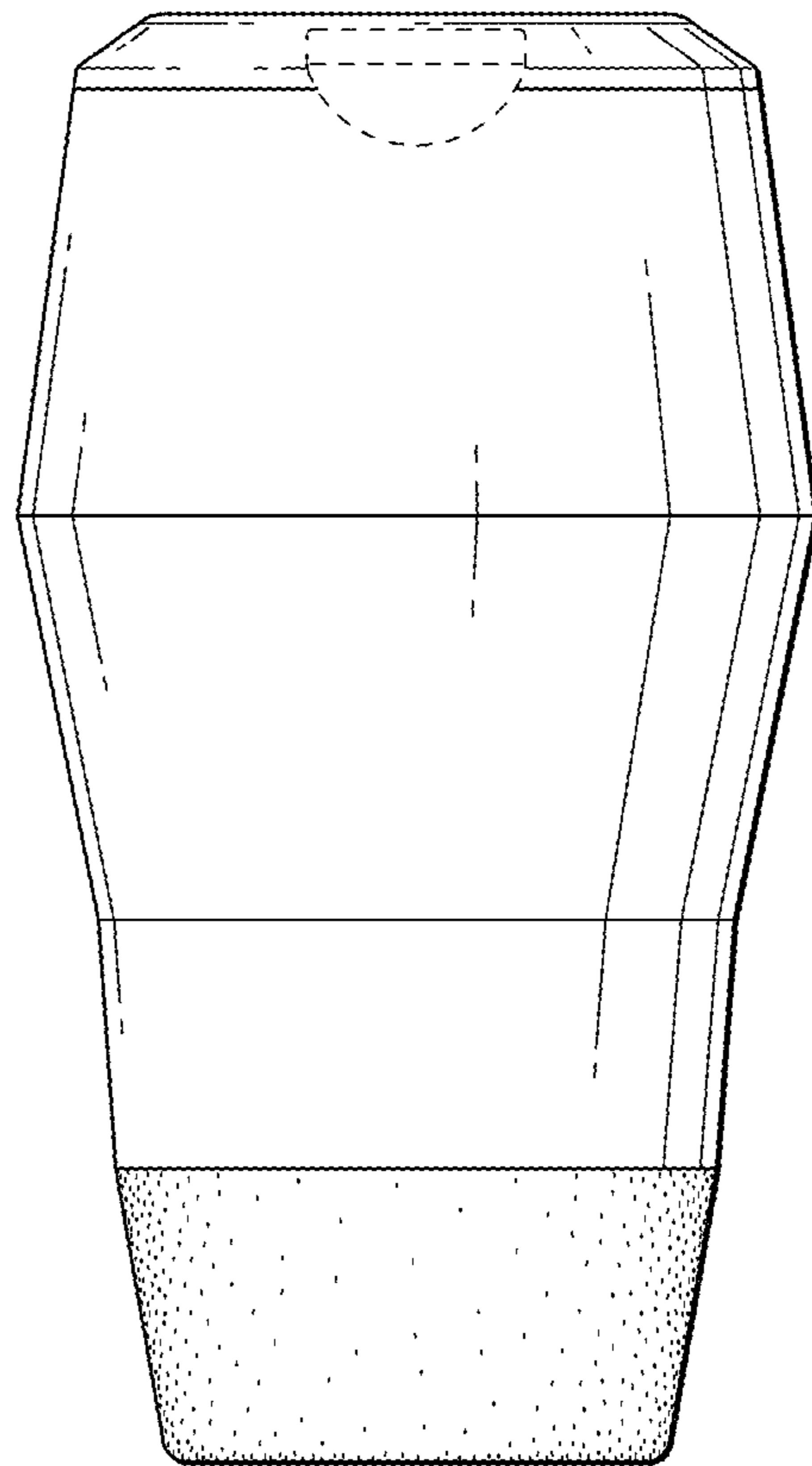


FIG. 5

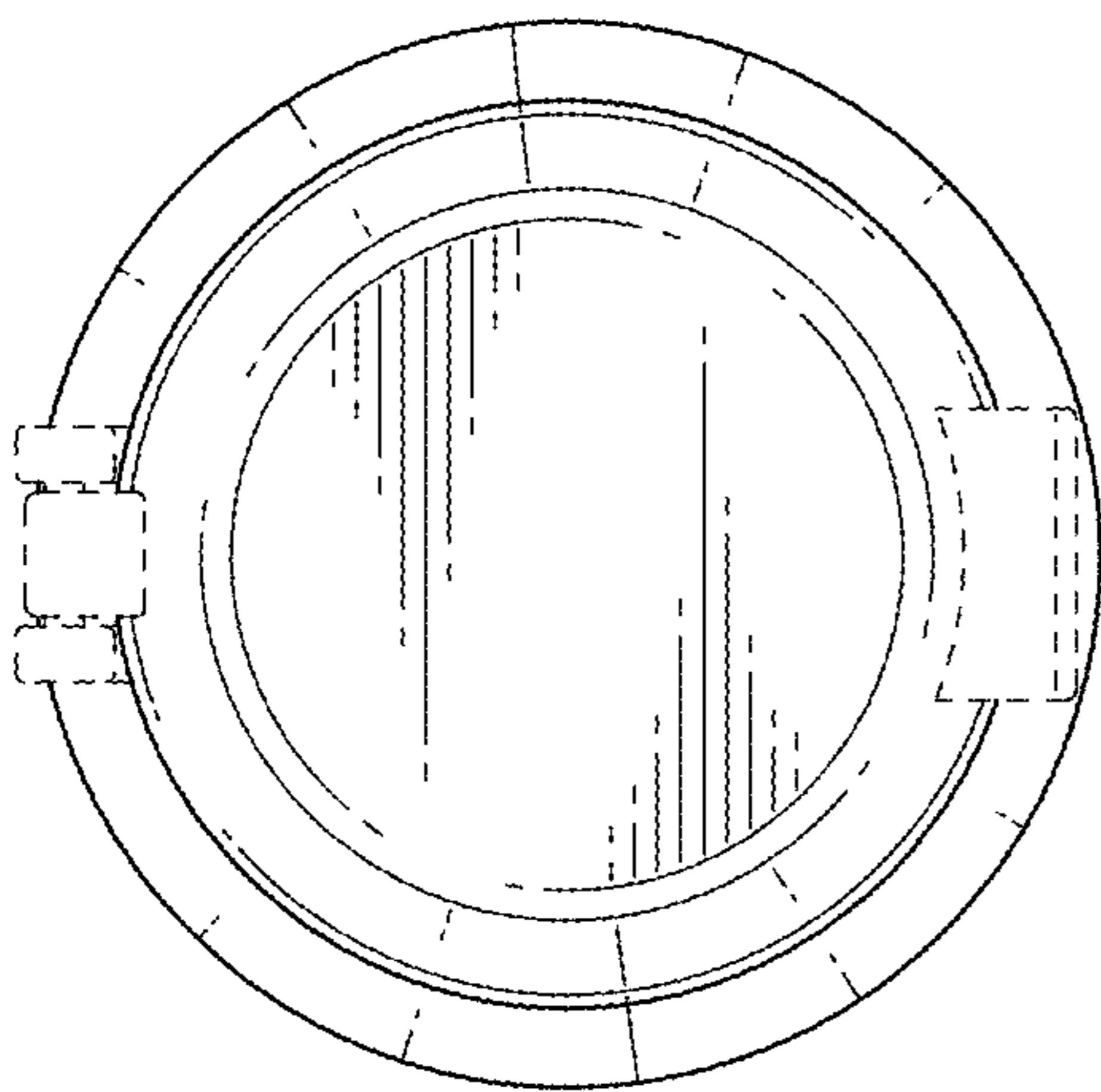


FIG. 6

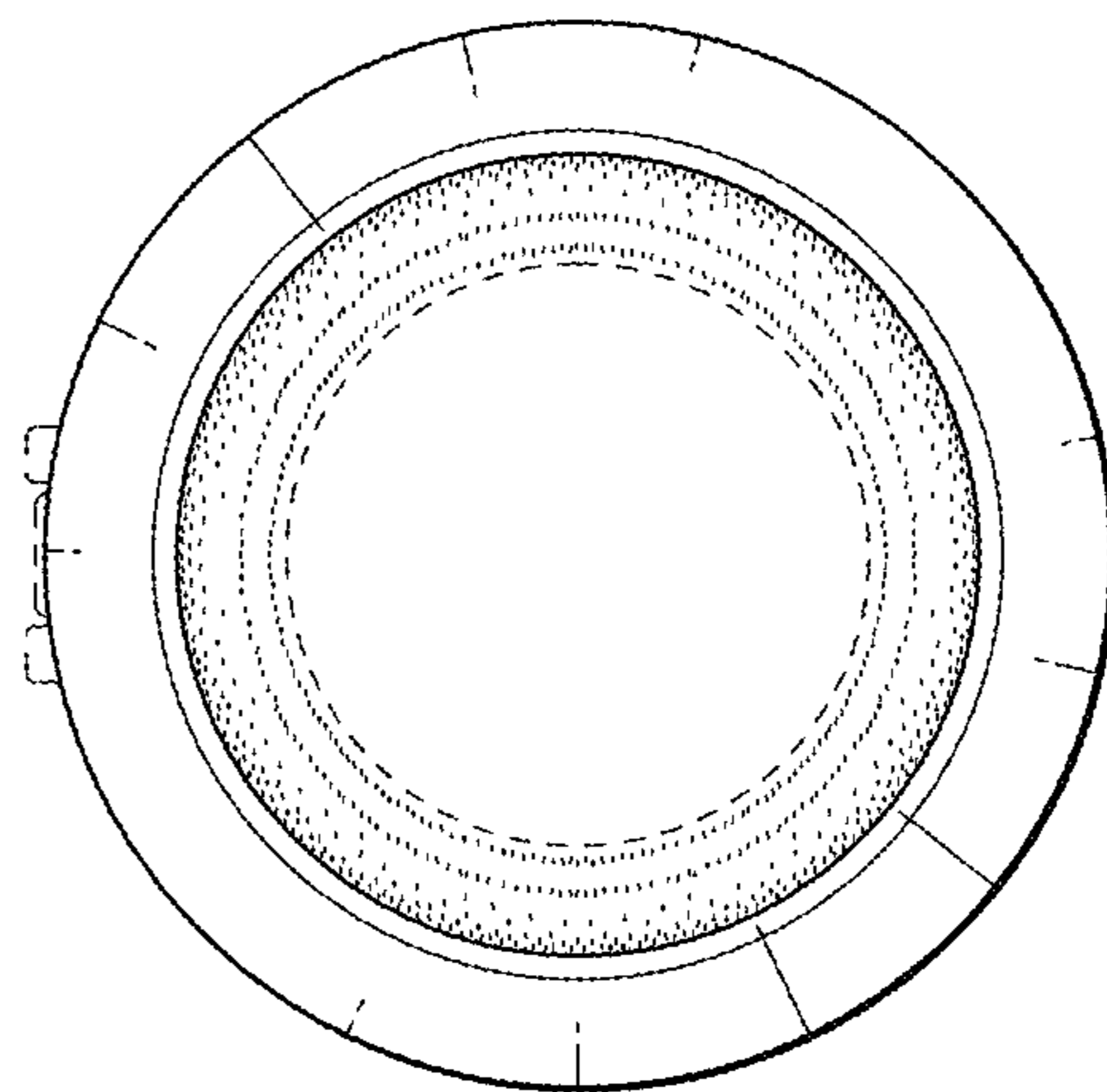


FIG. 7