



US00D976591S

(12) **United States Design Patent**  
**Rowe**

(10) **Patent No.:** **US D976,591 S**

(45) **Date of Patent:** **\*\* Jan. 31, 2023**

(54) **PERSONAL GROOMING DEVICE**

(71) Applicant: **Tia La Chelle Rowe**, Los Angeles, CA  
(US)

(72) Inventor: **Tia La Chelle Rowe**, Los Angeles, CA  
(US)

(\*\*) Term: **15 Years**

(21) Appl. No.: **29/757,329**

(22) Filed: **Nov. 5, 2020**

(51) **LOC (14) Cl.** ..... **04-01**

(52) **U.S. Cl.**  
USPC ..... **D4/117; D4/120; D4/121; D4/134**

(58) **Field of Classification Search**  
USPC ..... D4/116–121, 130, 132, 134, 137, 138,  
D4/105, 106, 108, 114, 129; D32/35,  
D32/40–42, 46, 49, 51, 52; D28/25,  
D28/29–31; D9/695–697  
CPC .. A46B 3/18; A46B 5/00; A46B 9/021; A46B  
11/00; A46B 11/0003; A46B 2200/1053;  
A45D 40/26; A45D 40/265  
See application file for complete search history.

(56) **References Cited**

**U.S. PATENT DOCUMENTS**

D128,410 S *	7/1941	Bair	.....	D4/114
D137,637 S *	4/1944	Potts	.....	D28/25
2,832,087 A *	4/1958	McEwan	.....	B65D 47/42
				D4/114
D214,544 S *	6/1969	Solomon	.....	D28/75
D222,014 S *	9/1971	Steinkamp	.....	D28/12
D234,747 S *	4/1975	Sanders	.....	D9/503
D310,601 S *	9/1990	Byriel	.....	D4/114
D347,944 S *	6/1994	Honora	.....	D4/114
D353,019 S *	11/1994	Kimmell	.....	D28/25
D366,151 S *	1/1996	Norris	.....	D4/114
D370,783 S *	6/1996	Korte	.....	132/270

D393,748 S *	4/1998	Peltier	.....	D4/114
D413,204 S *	8/1999	Mitchell	.....	D4/114
D445,969 S *	7/2001	Lorenzo	.....	D28/25
D466,306 S *	12/2002	Skwarek	.....	D4/136
D480,835 S *	10/2003	Hegner	.....	D28/29
D490,185 S *	5/2004	Hegner	.....	D28/29
D536,175 S *	2/2007	Grant	.....	D4/114
D742,650 S *	11/2015	Albers	.....	D4/116
D744,758 S *	12/2015	Albers	.....	D4/121

**OTHER PUBLICATIONS**

Amazon-Boao; Boao Store; “6 pieces Hair Edge Brush with Rat Tail Comb Double Sided Control Hair Comp Hair Edge Brush Comb for Hair or Eyebrow”; [online] ‘<http://amazon.com/dp/B088PSV6C3>’; no date; accessed Apr. 25, 2022; 2pgs. (Year: 2022).\*

\* cited by examiner

*Primary Examiner* — Keli L Hill

(74) *Attorney, Agent, or Firm* — Not Just Patents LLC;  
Wendy S Peterson

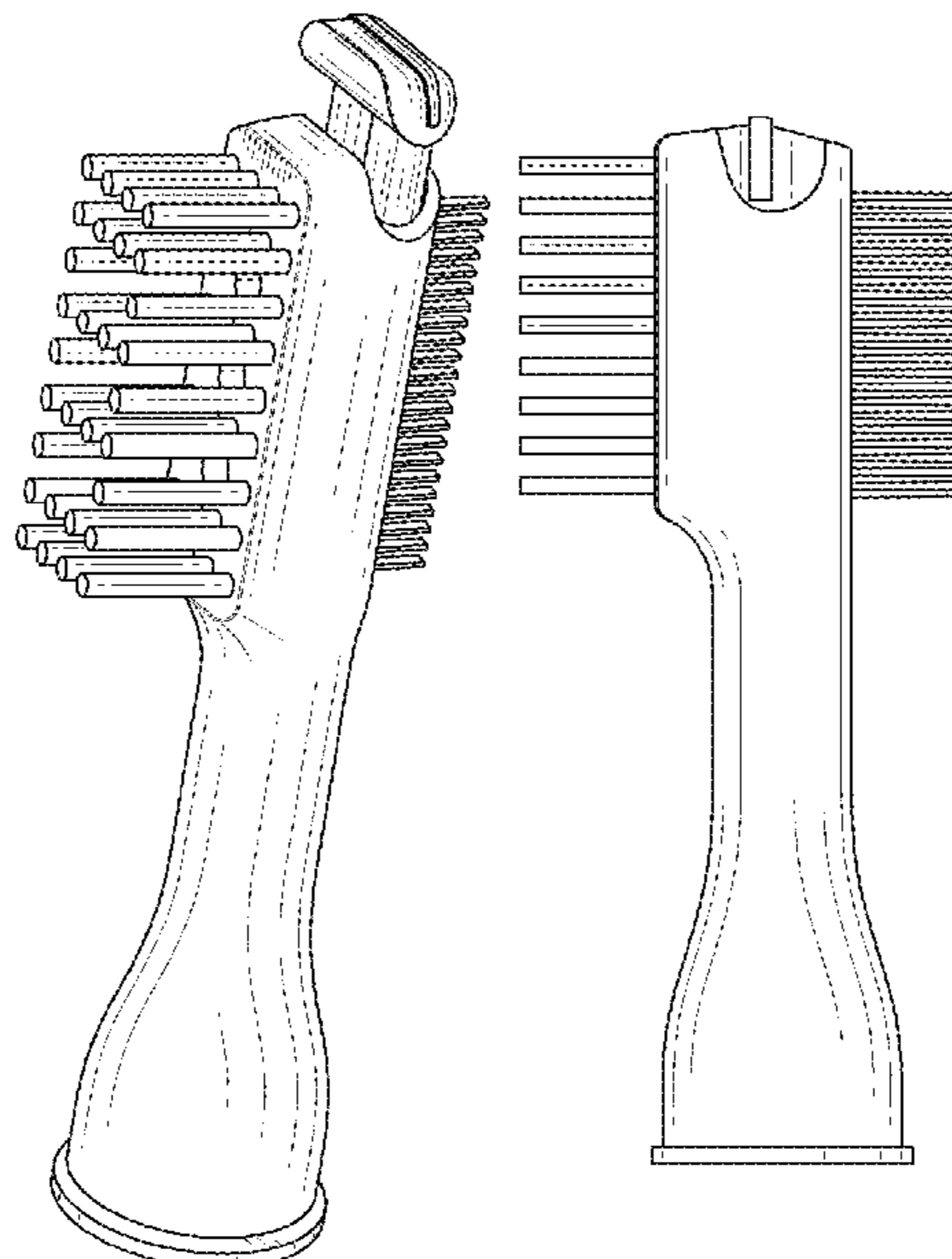
(57) **CLAIM**

The ornamental design for the personal grooming device, as shown and described.

**DESCRIPTION**

FIG. 1 is a left perspective view of the personal grooming device showing my new design;  
FIG. 2 is a back/right perspective view of the personal grooming device shown with the top compartment open thereof;  
FIG. 3 is a left aerial view thereof;  
FIG. 4 is a left back view thereof;  
FIG. 5 is a right view thereof;  
FIG. 6 is a front view thereof;  
FIG. 7 is a back view thereof; and,  
FIG. 8 is a top plan view thereof.

**1 Claim, 8 Drawing Sheets**



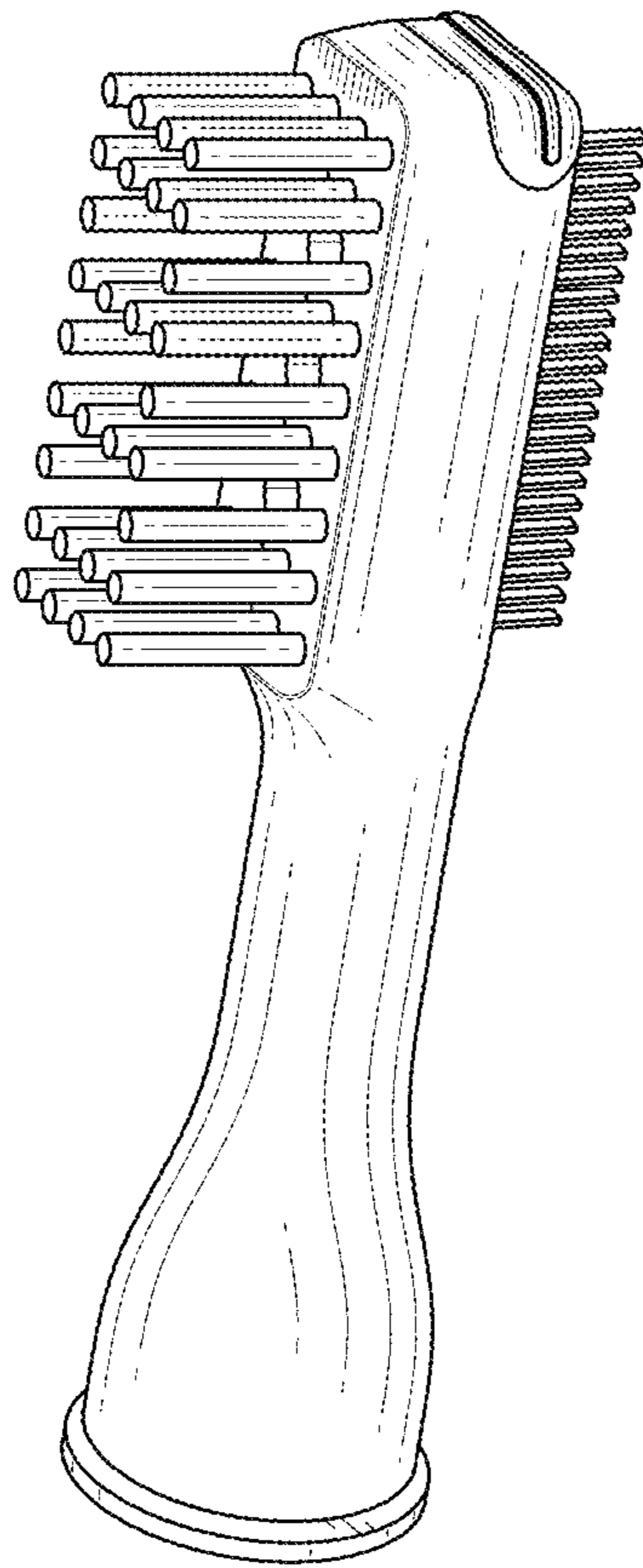


FIG. 1

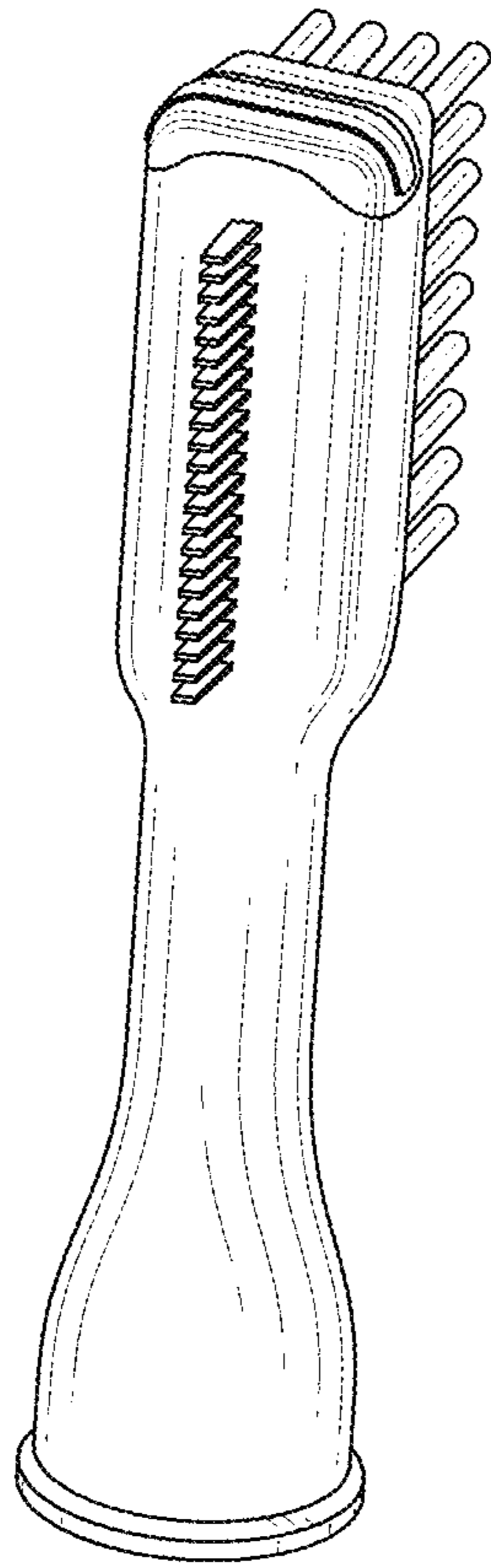


FIG. 2

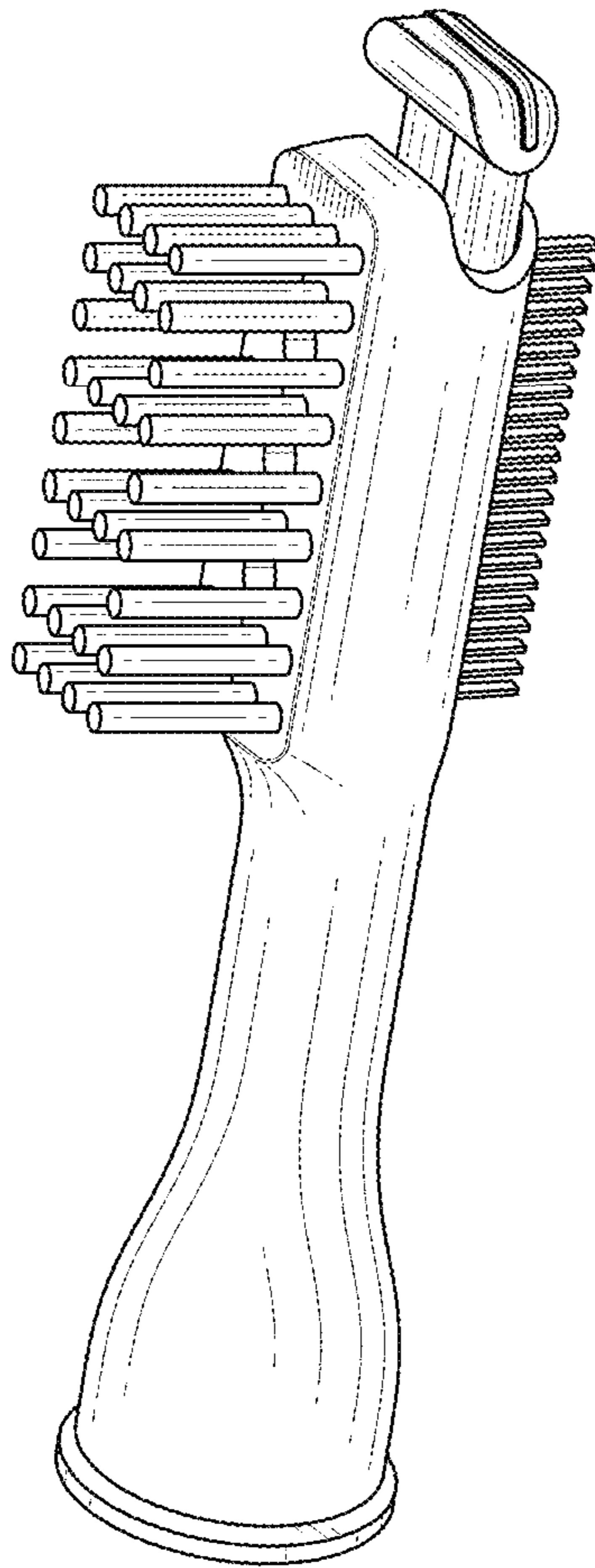


FIG. 3

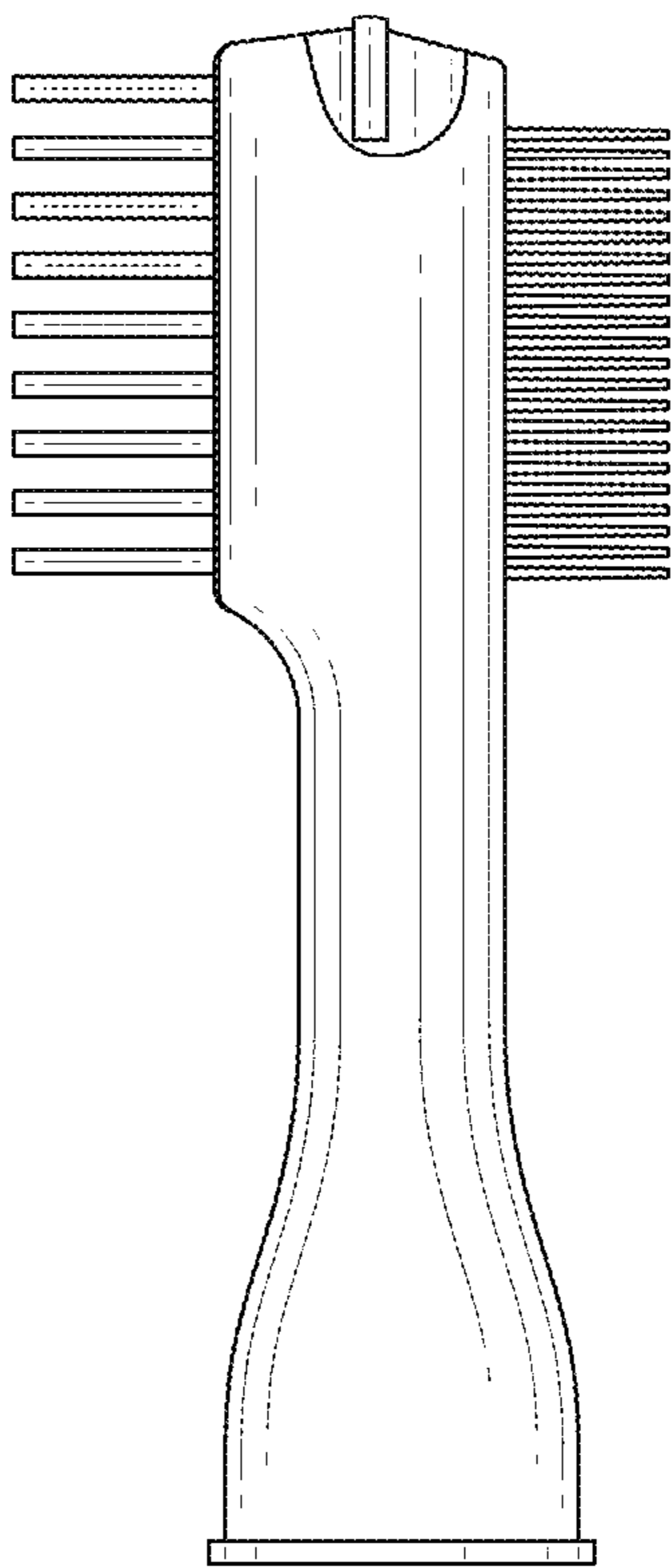


FIG. 4

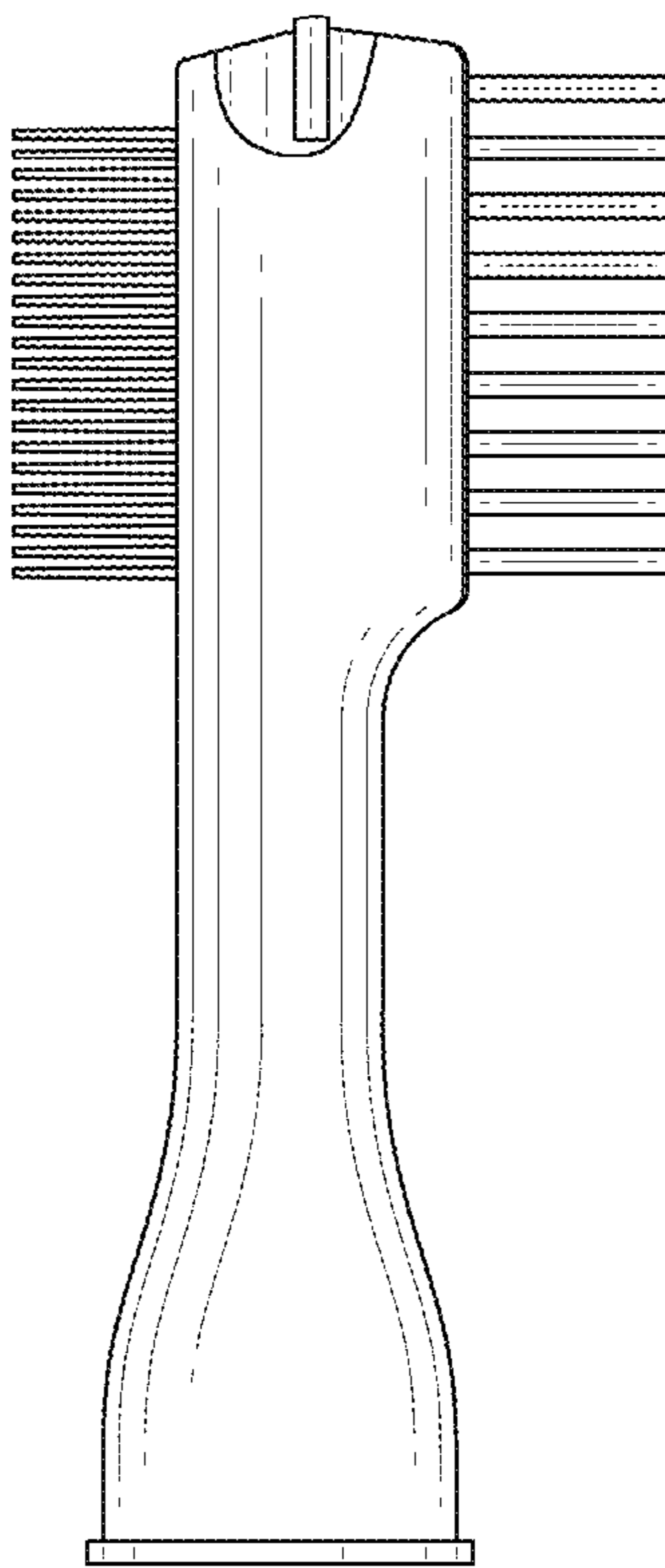


FIG. 5

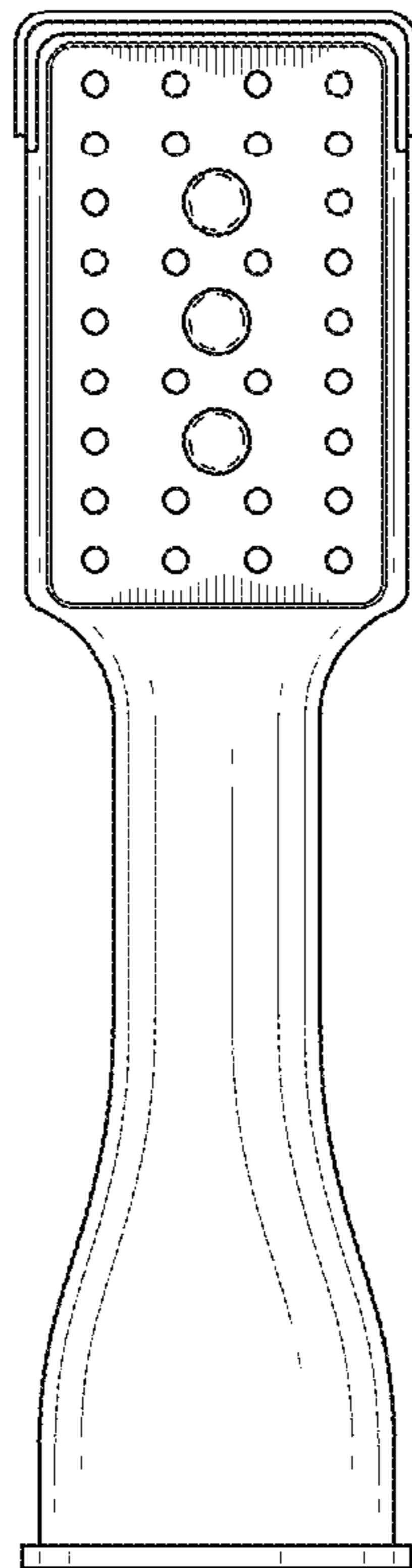


FIG. 6

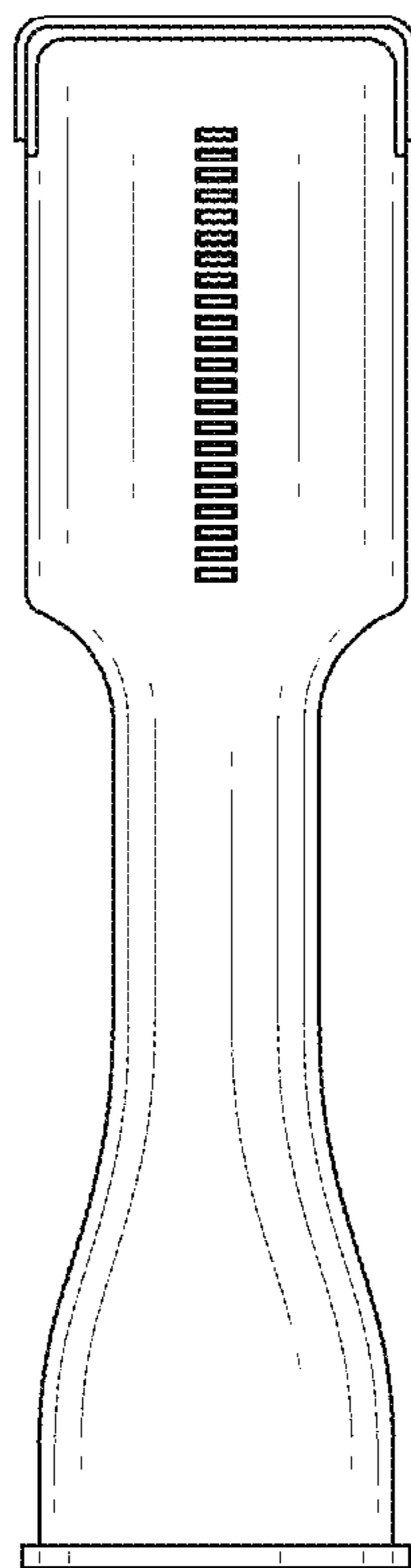


FIG. 7



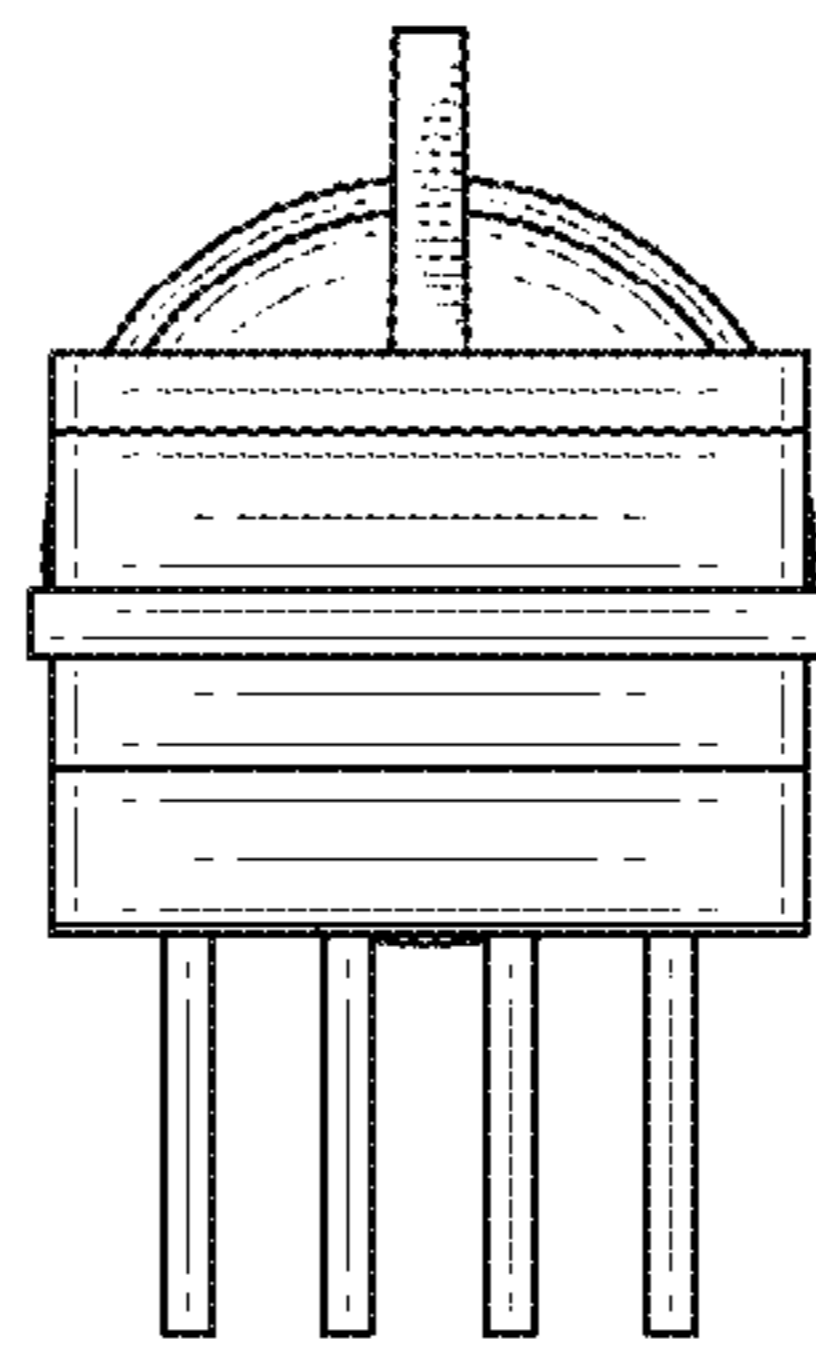


FIG. 8