



US00D976590S

(12) **United States Design Patent** (10) **Patent No.:** **US D976,590 S**  
**Thorn** (45) **Date of Patent:** **\*\* Jan. 31, 2023**

(54) **COMBINED CLEANING TOOL AND REMOVABLE TELESCOPIC BRUSH**

2019/0075921 A1\* 3/2019 Flynn ..... A46B 11/0041  
2020/0086472 A1\* 3/2020 Storey ..... B25F 1/02  
2020/0170400 A1\* 6/2020 Thorn ..... A46B 15/0036

(71) Applicant: **Oakthrift Corporation Ltd,**  
Borehamwood (GB)

\* cited by examiner

(72) Inventor: **James John Thorn,** Borehamwood  
(GB)

OTHER PUBLICATIONS

(\*\*) Term: **15 Years**

Roamwild, announced Dec. 3, 2018 [online], [site visited Jul. 24, 2020], Available from internet, URL: <https://www.amazon.com/Roamwild-Car-Crack-Vac-accessories/dp/B07KT93214> (Year: 2018).\*

(21) Appl. No.: **29/679,145**

*Primary Examiner* — Cynthia Ramirez

(22) Filed: **Feb. 1, 2019**

*Assistant Examiner* — Tamara L Hahn

(30) **Foreign Application Priority Data**

(74) *Attorney, Agent, or Firm* — Donn K. Harms

Aug. 3, 2020 (EM) ..... 005537545-0003

(51) **LOC (14) Cl.** ..... **04-99**

(52) **U.S. Cl.**  
USPC ..... **D4/116**

(58) **Field of Classification Search**  
USPC ..... D4/100–113, 116–138, 199; D8/18, 33,  
D8/34, 72, 73, 80, 83, 394, 395; D28/7,  
D28/154; D32/35, 42  
CPC A46B 15/0036; A46B 2200/3046; B25F 1/02  
See application file for complete search history.

(57) **CLAIM**

The ornamental design for a combined cleaning tool and removable telescopic brush, as shown and described.

(56) **References Cited**

U.S. PATENT DOCUMENTS

5,066,157 A \* 11/1991 Lift ..... A46B 11/0072  
401/270  
8,240,938 B2 \* 8/2012 Maxwell ..... A46B 11/0041  
401/290  
D744,857 S \* 12/2015 Gieske ..... D9/724  
D825,190 S \* 8/2018 Hu ..... D4/102  
2004/0083567 A1 \* 5/2004 Lies ..... A47L 11/162  
15/28  
2011/0041657 A1 \* 2/2011 Hung ..... B25G 1/063  
81/60  
2015/0023717 A1 \* 1/2015 Lewis ..... A47J 43/16  
401/188 R  
2015/0150368 A1 \* 6/2015 White ..... A46B 11/0006  
134/6

**DESCRIPTION**

FIG. 1 is a left side perspective view of a combined cleaning tool and removable telescopic brush, comprising a cleaning tool having a recess for receiving the telescopic brush therein, showing my new design;  
FIG. 2 is a top view thereof;  
FIG. 3. is a right side perspective view thereof;  
FIG. 4 is an enlarged rear elevational view thereof;  
FIG. 5 is bottom plan view thereof;  
FIG. 6 is an enlarged front elevational view thereof;  
FIG. 7 is a bottom front perspective view thereof;  
FIG. 8 is top front perspective view thereof;  
FIG. 9 is top rear perspective view thereof;  
FIG. 10 is a left side view as in FIG. 1, with the telescopic brush removed;  
FIG. 11 is a top view as in FIG. 2, with the telescopic brush removed;  
FIG. 12 is a right side view as in FIG. 3, with the telescopic brush removed;  
FIG. 13 is an enlarged rear elevational view as in FIG. 4, with the telescopic brush removed;

(Continued)

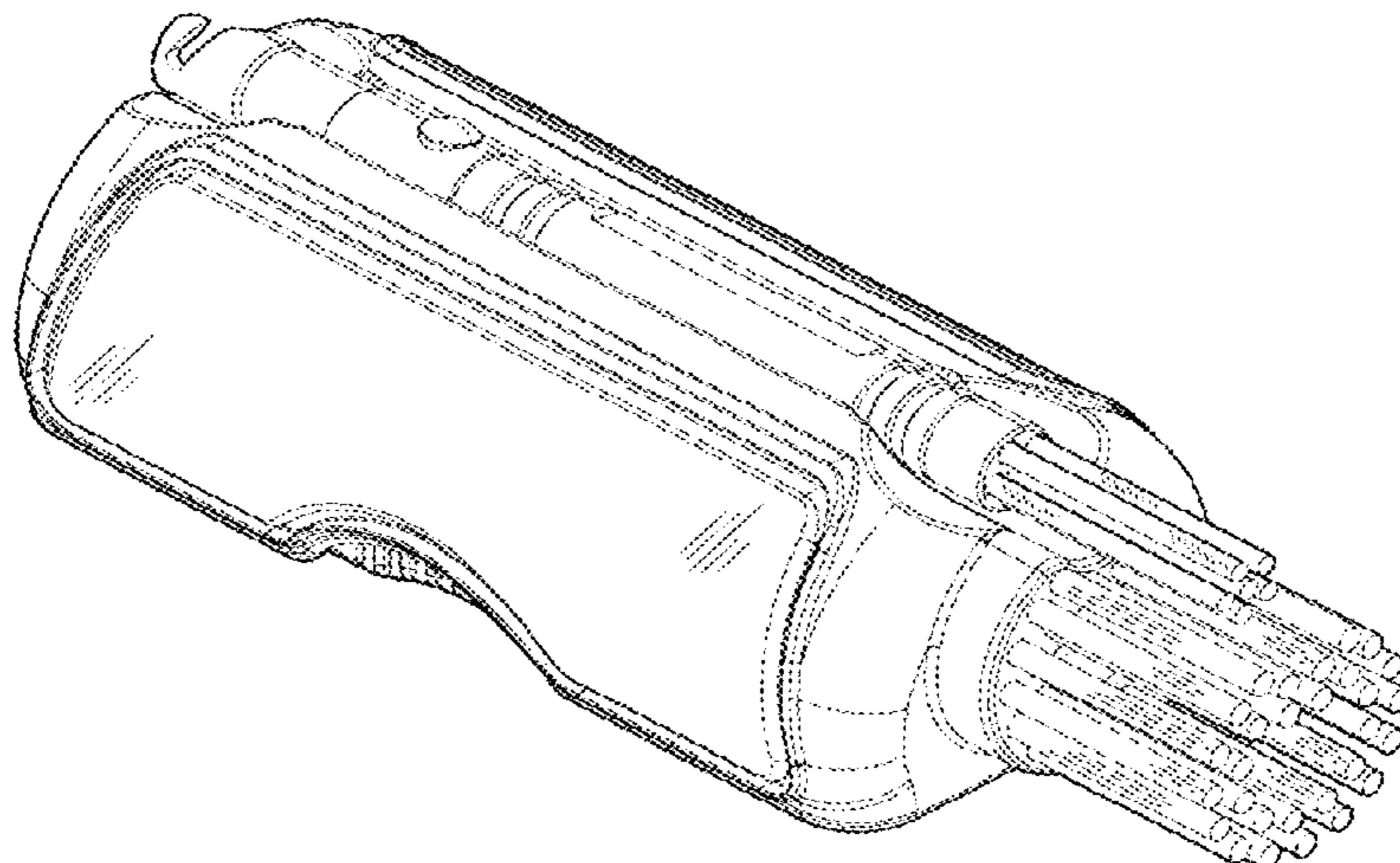


FIG. 14 is an enlarged front elevational view as in FIG. 6, with the telescopic brush removed;  
FIG. 15 is top front perspective view as in FIG. 8, with the telescopic brush removed;  
FIG. 16 is top rear perspective view as in FIG. 9, with the telescopic brush removed;  
FIG. 17 is top view of the telescopic brush;  
FIG. 18 is a front perspective view of the telescopic brush;  
FIG. 19 is another top view of the telescopic brush showing one end rotated from that of FIG. 17.  
FIG. 20 is a right side view of the telescopic brush;  
FIG. 21 is a bottom view of the telescopic brush;  
FIG. 22 is a left side view of the telescopic brush;  
FIG. 23 is a right rear perspective view of the telescopic brush;  
FIG. 24 is a left side perspective view of the telescopic brush;  
FIG. 25 is a front top perspective view of the telescopic brush;  
FIG. 26 is a front end view of the telescopic brush;  
FIG. 27 is a rear perspective view of the telescopic brush;  
FIG. 28 is a rear end view of the telescopic brush;  
FIG. 29 is a front perspective view of the telescopic brush in an elongated configuration; and,  
FIG. 30 is a top view of the telescopic brush as in FIG. 29. The broken lines shown in the drawings illustrate portions of the combined cleaning tool and removable telescopic brush that form no part of the claimed design.

**1 Claim, 13 Drawing Sheets**

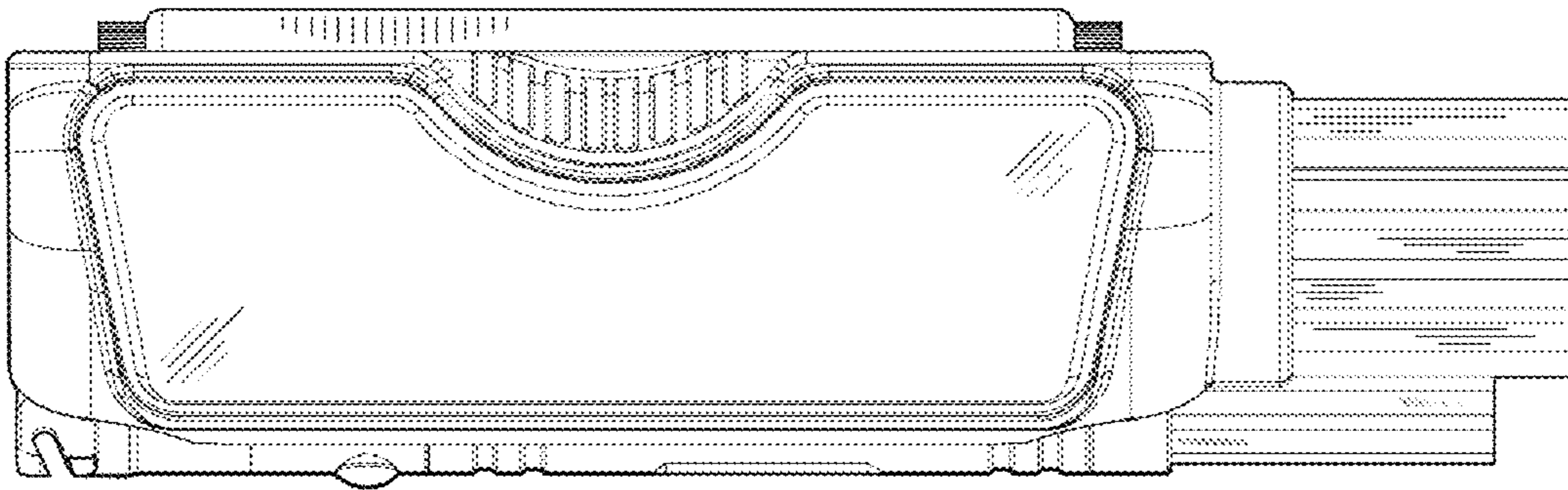


FIG. 1

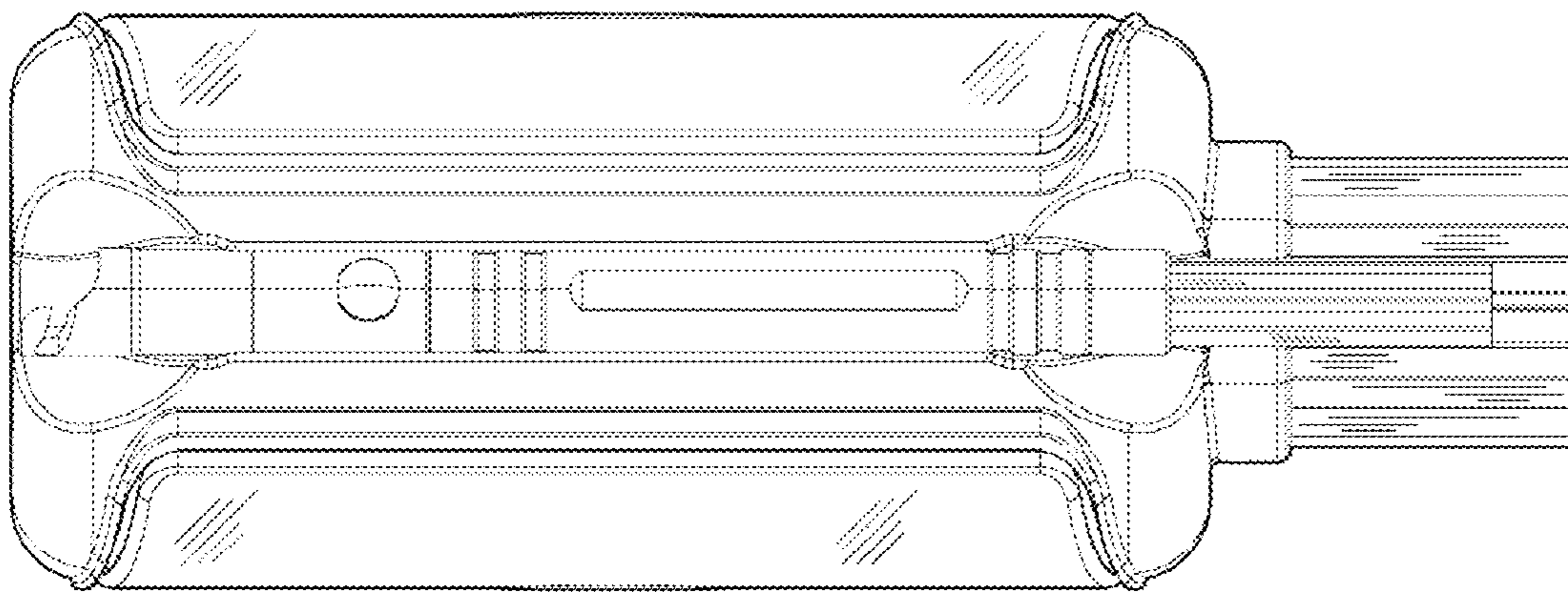


FIG. 2

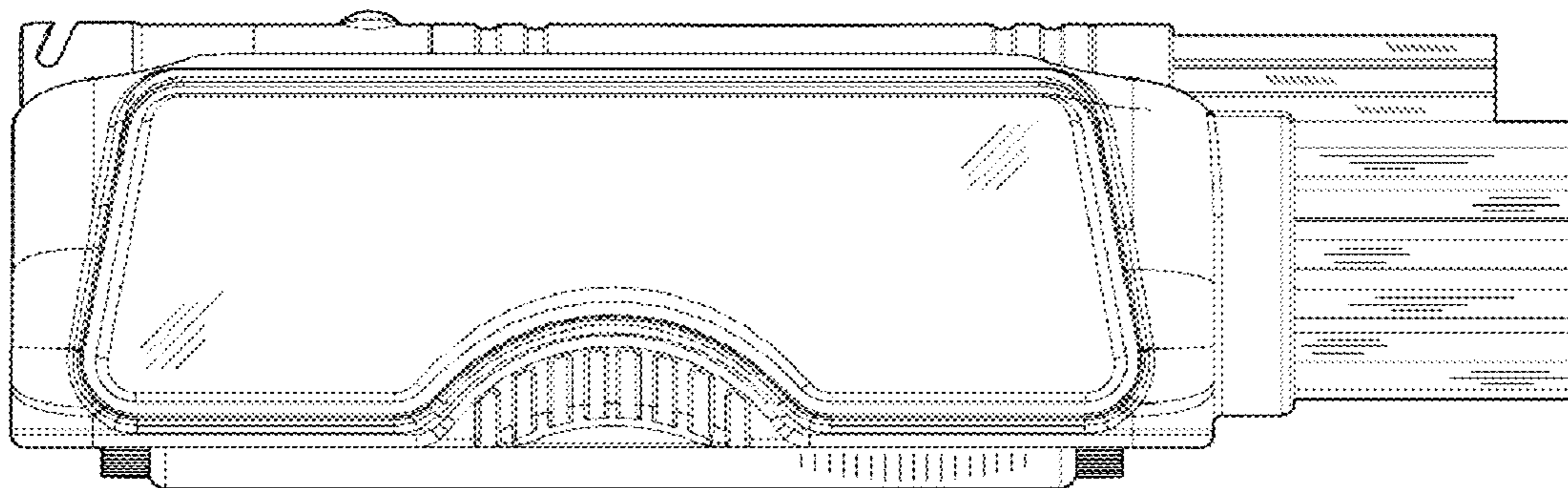


FIG. 3

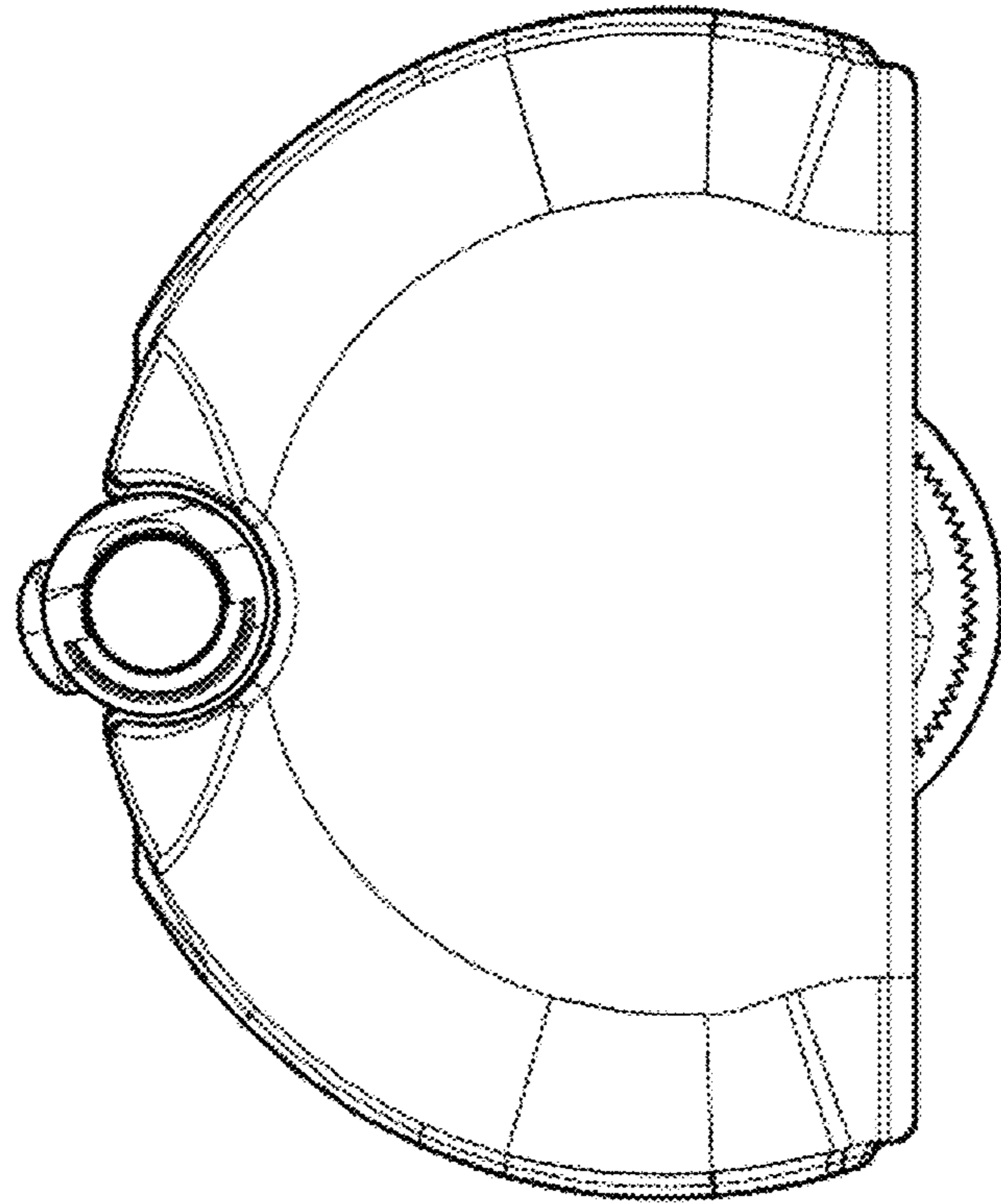


FIG. 4

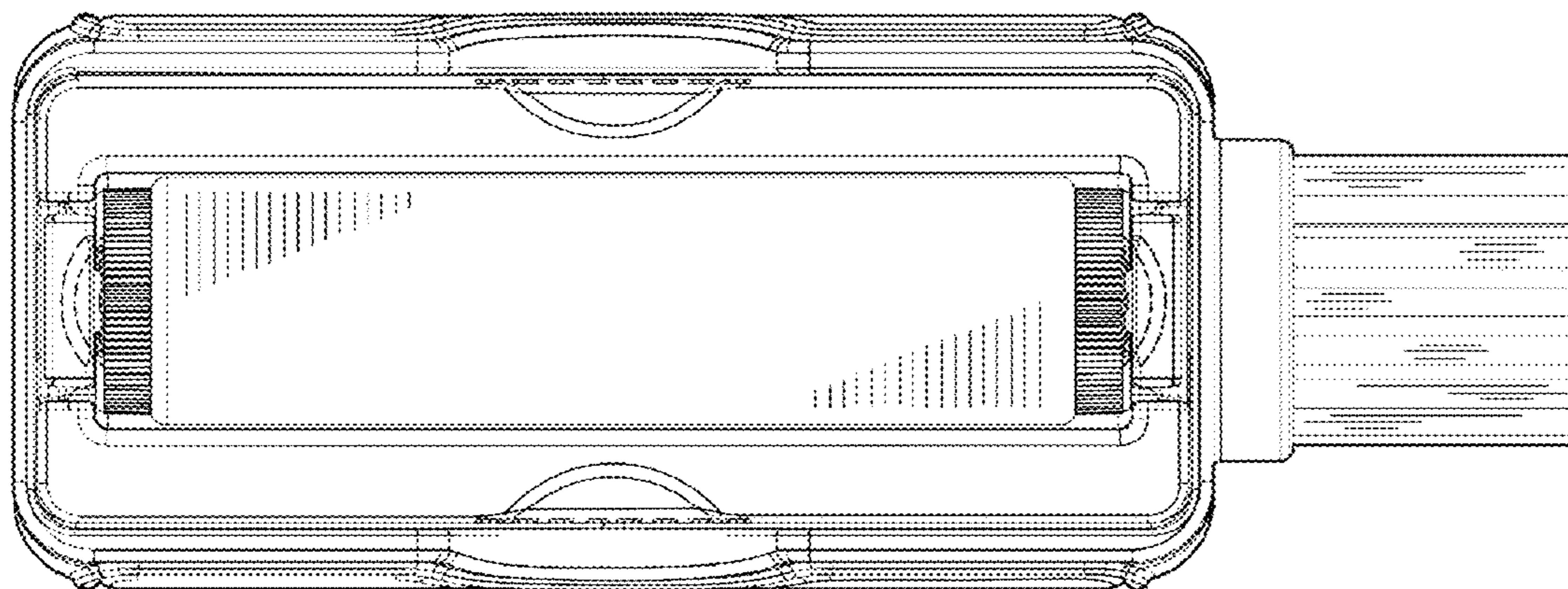


FIG. 5

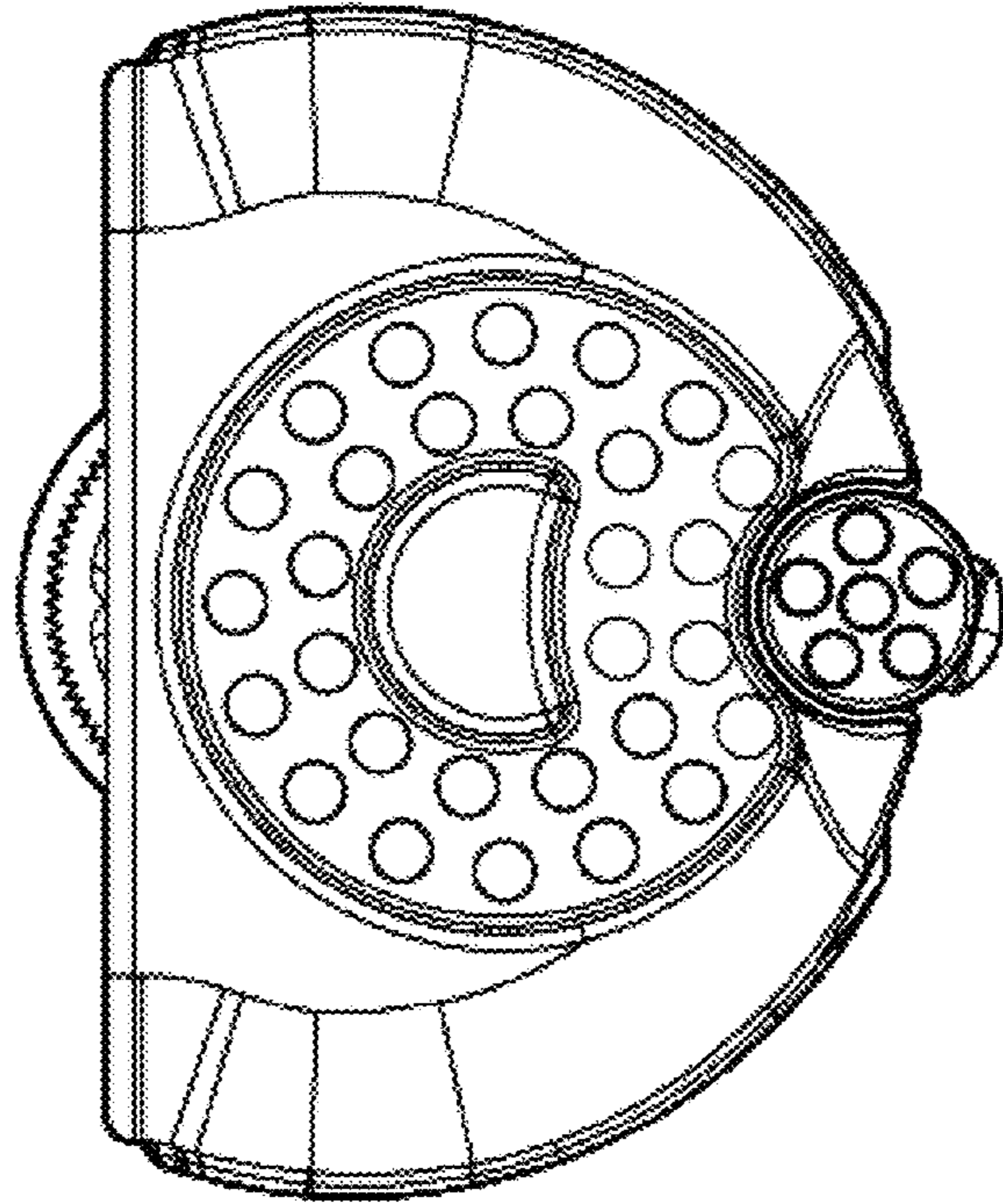


FIG. 6

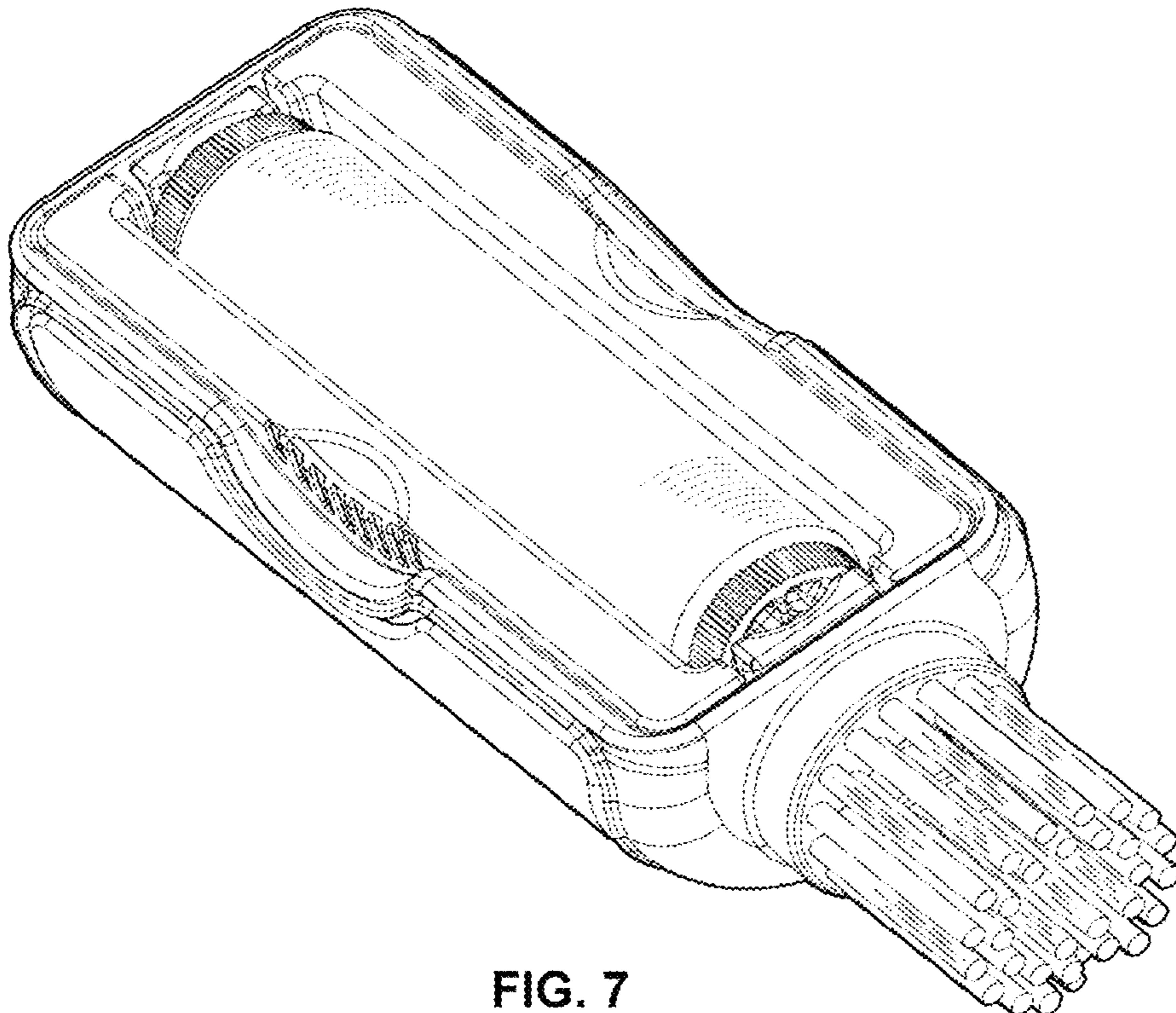


FIG. 7

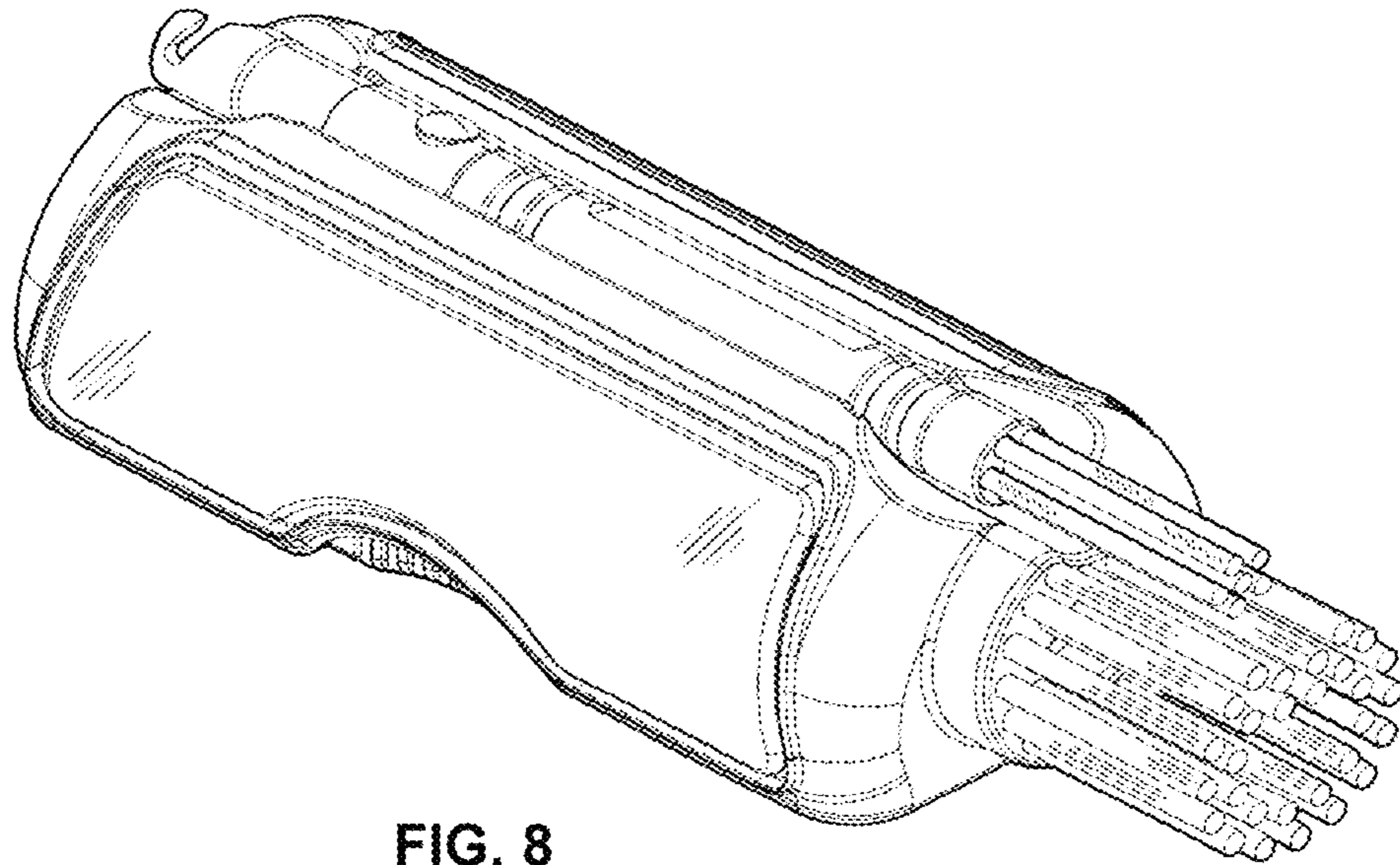


FIG. 8

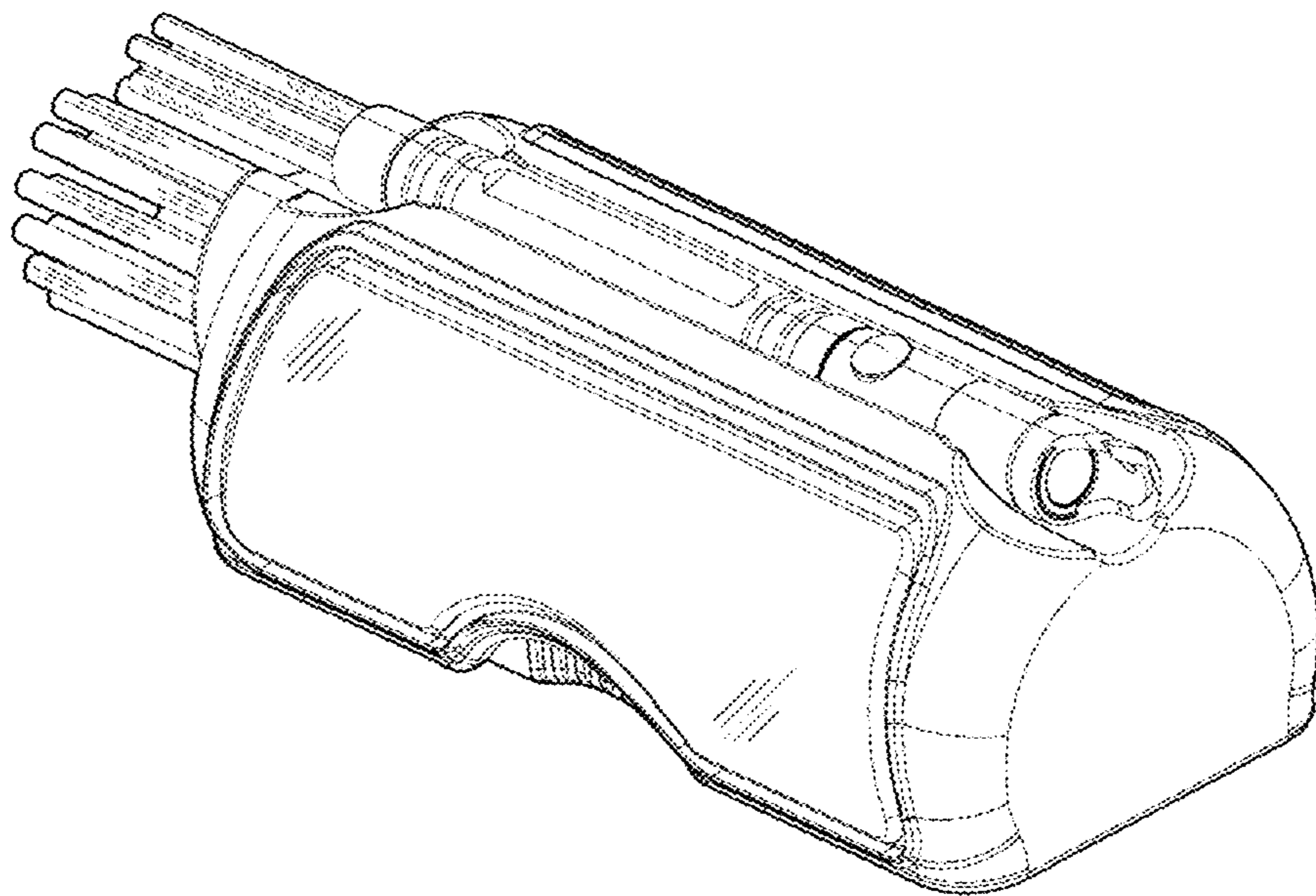


FIG. 9

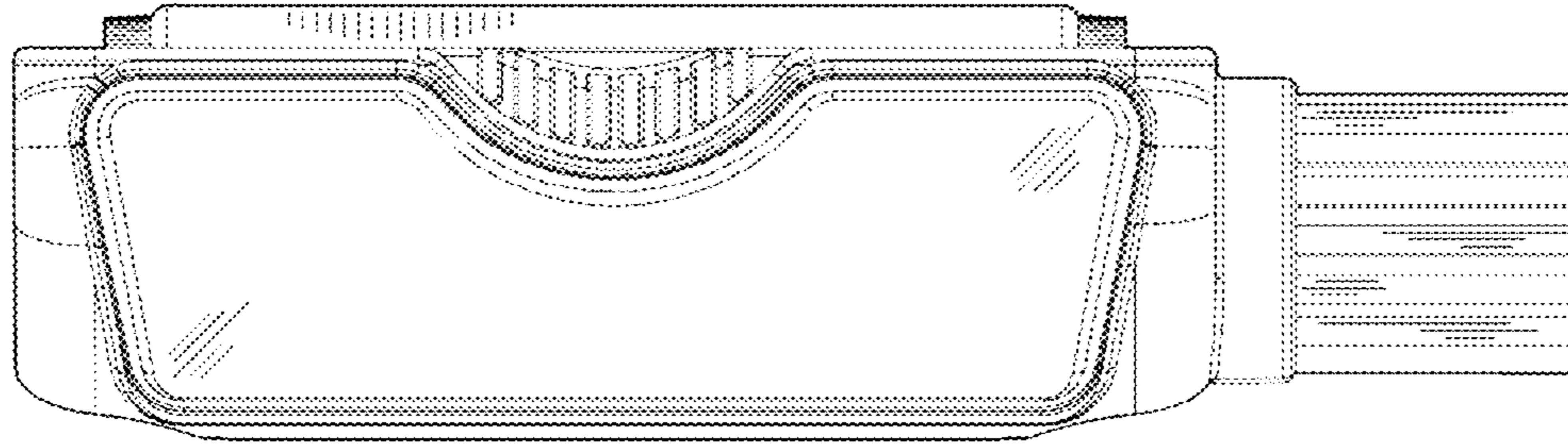


FIG. 10

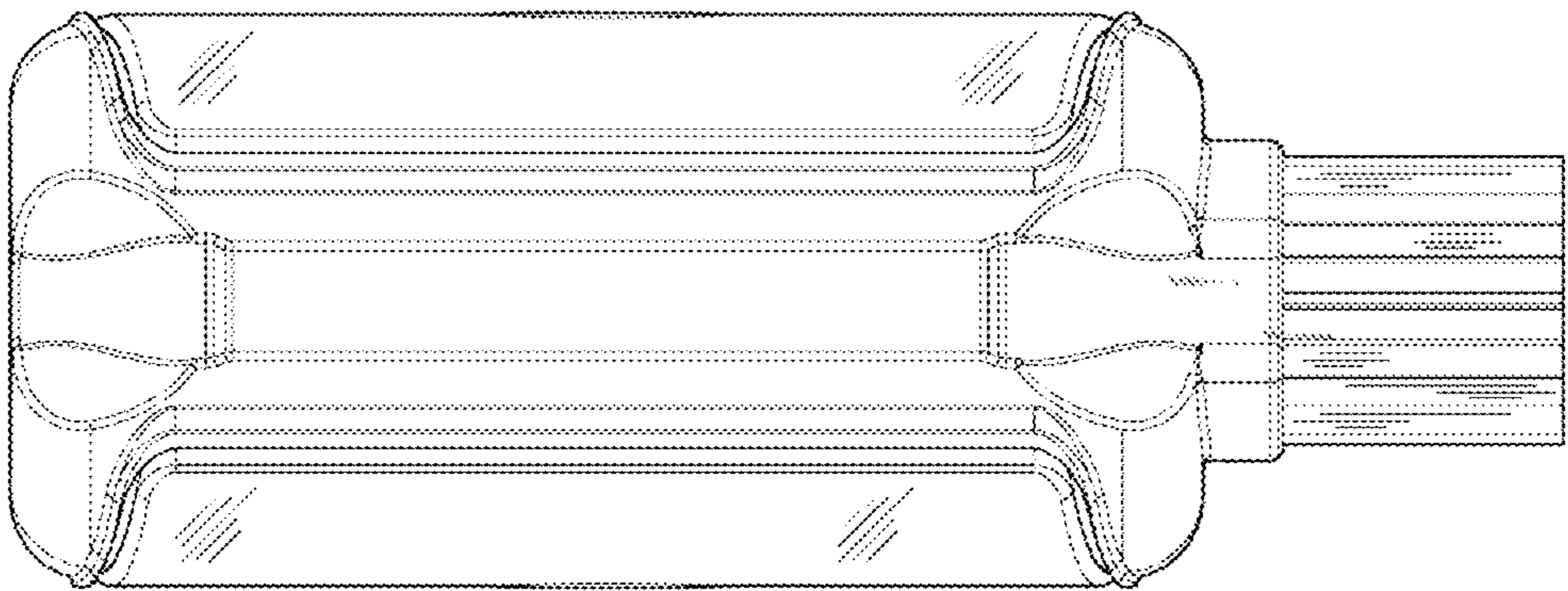


FIG. 11

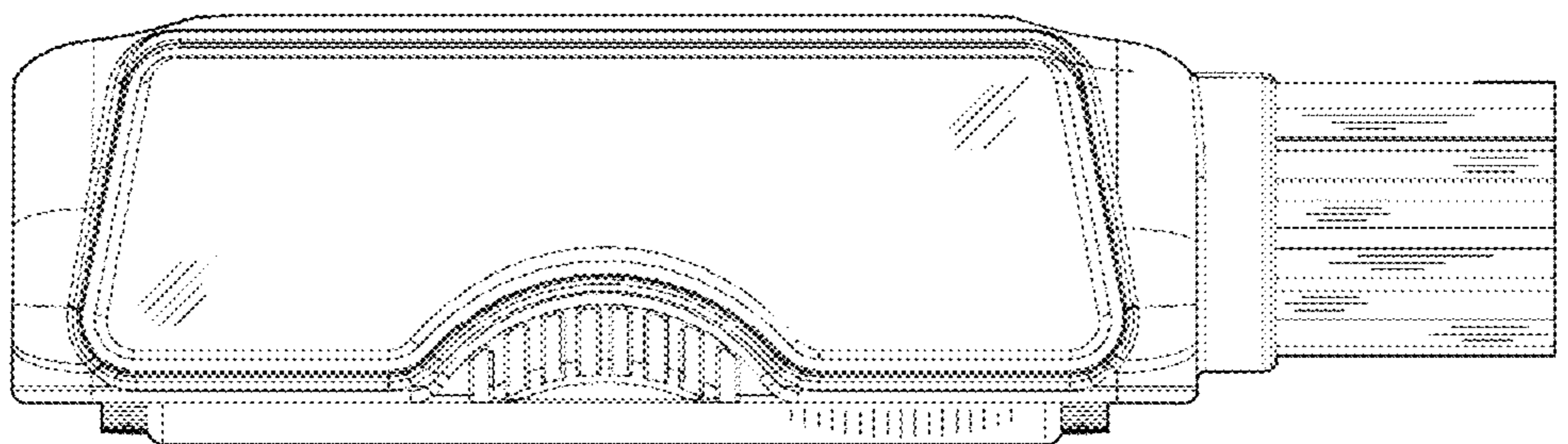


FIG. 12

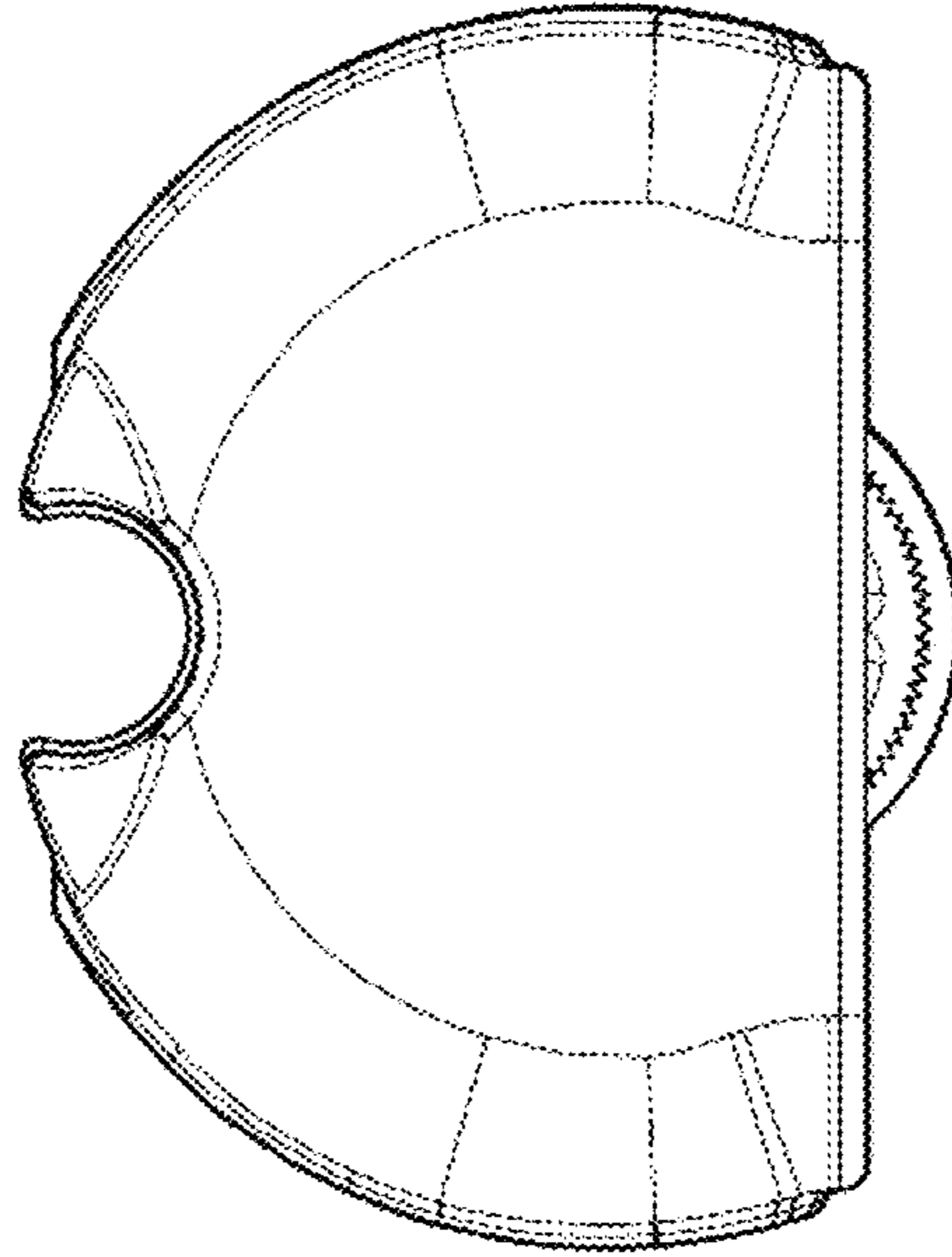


FIG. 13

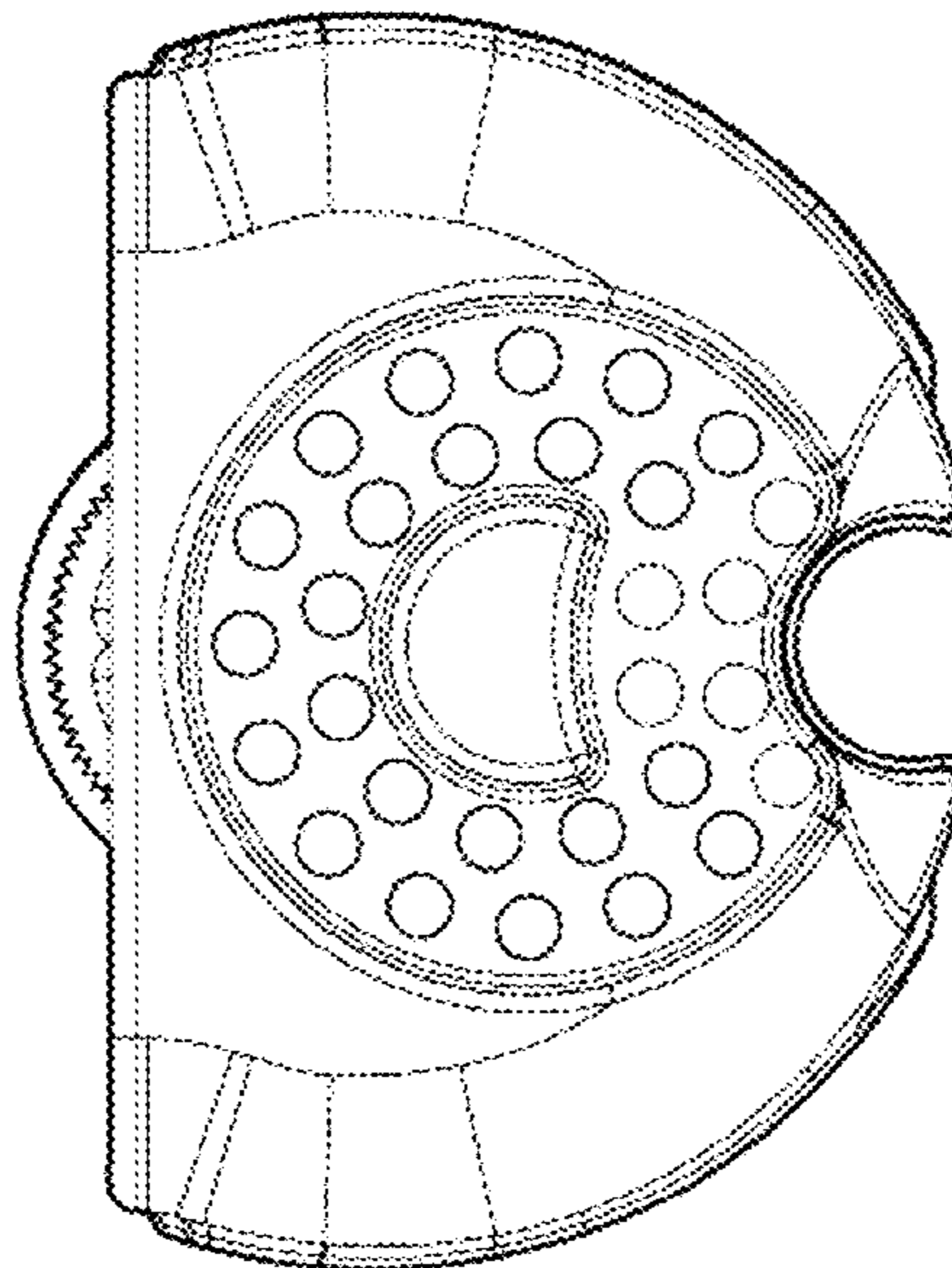


FIG. 14



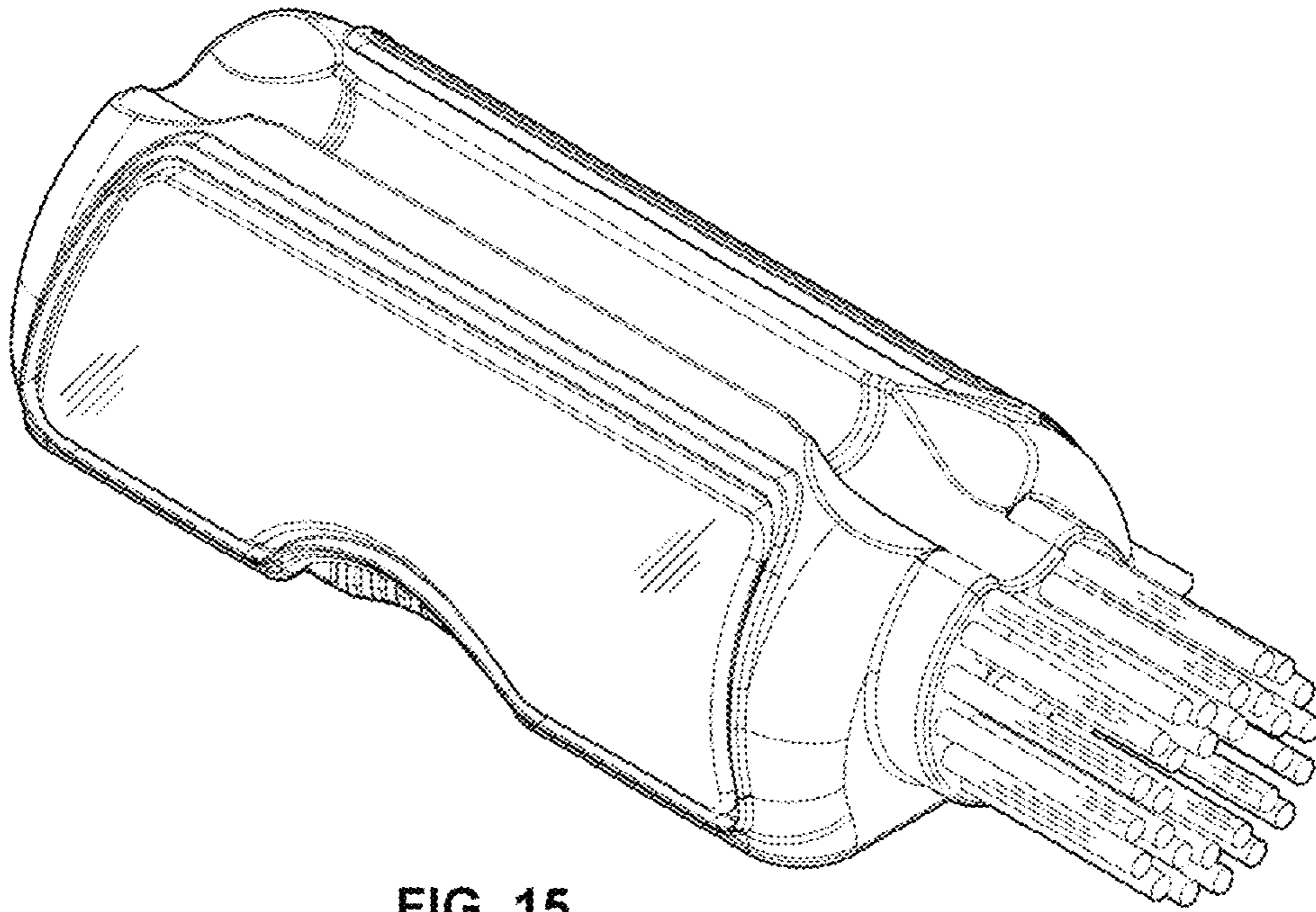


FIG. 15

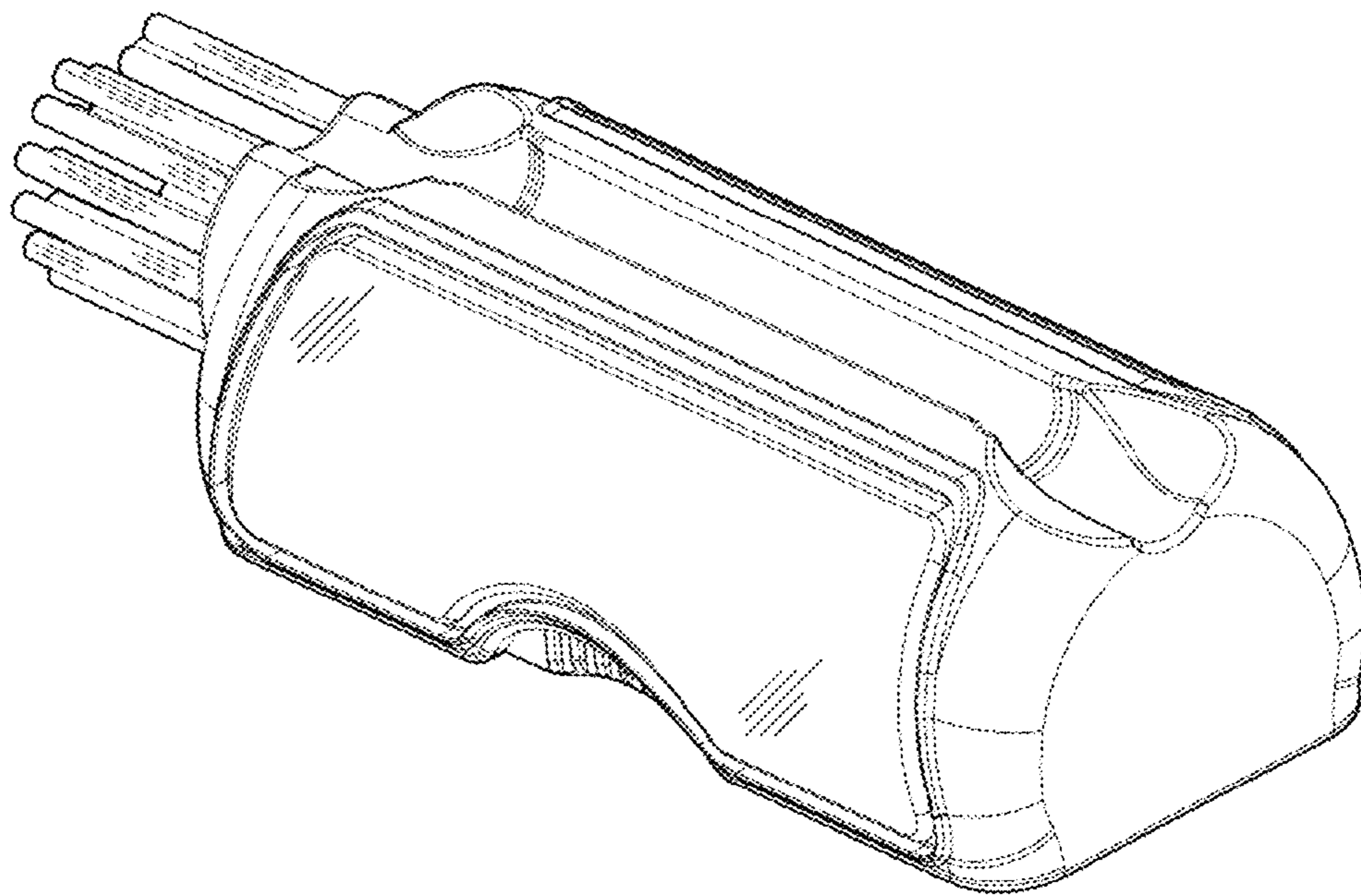


FIG. 16

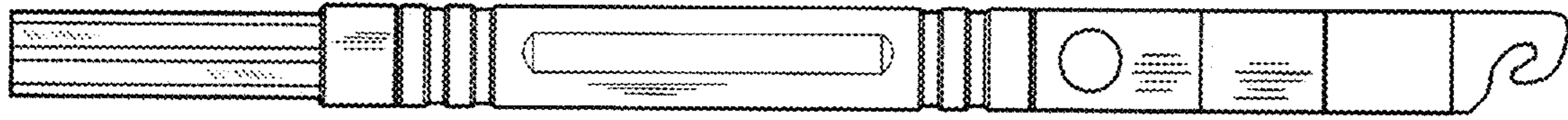


FIG. 17

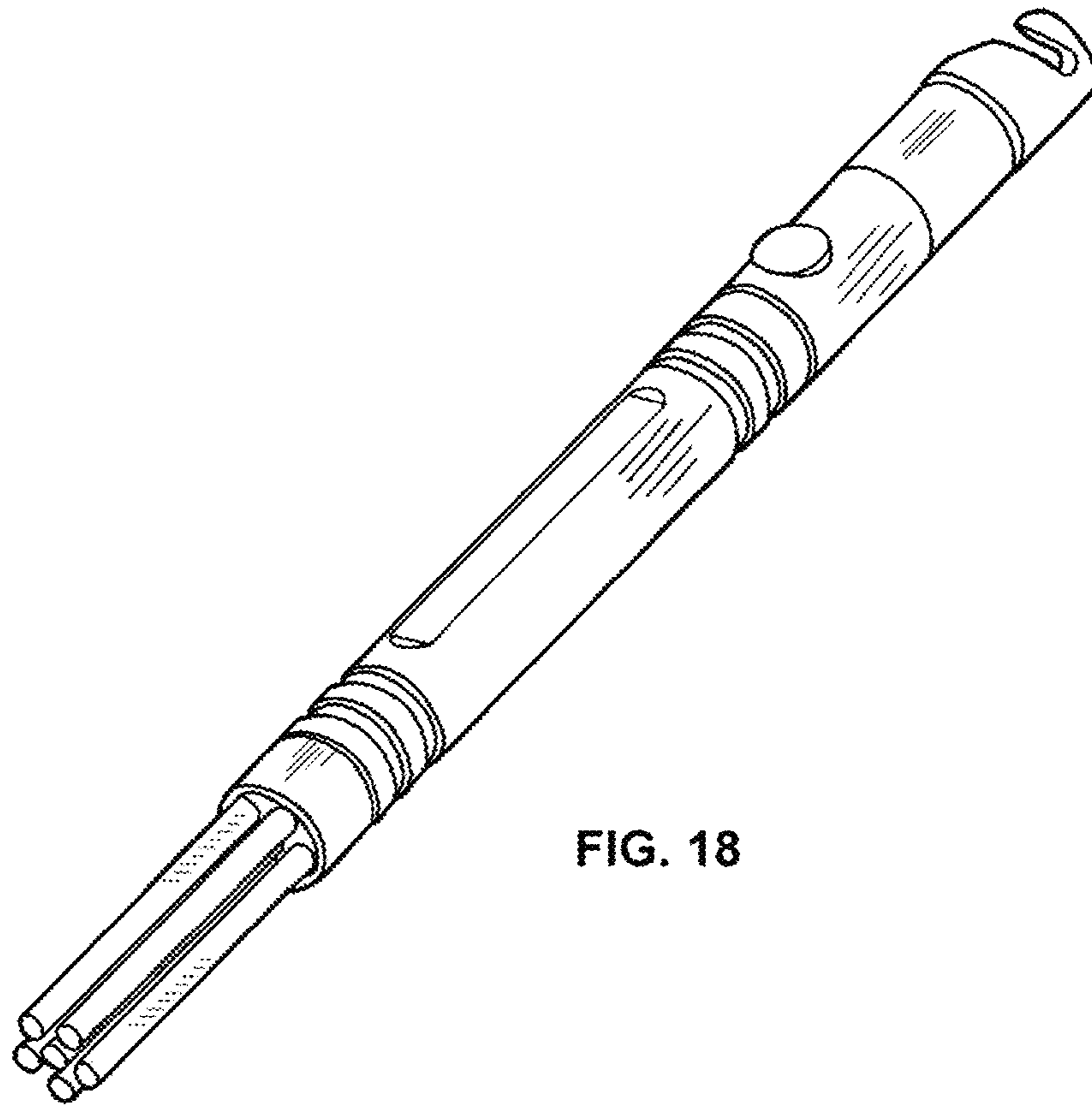


FIG. 18



FIG. 19

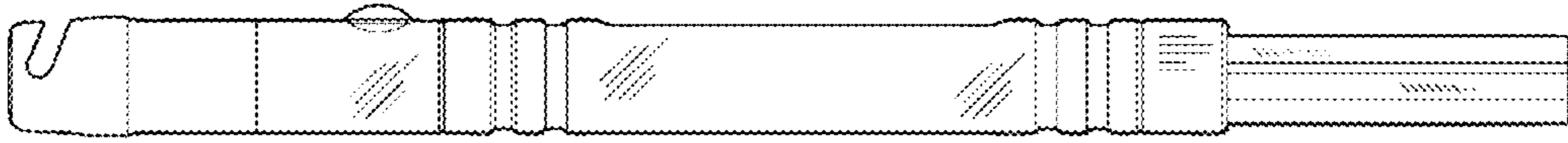


FIG. 20



FIG. 21

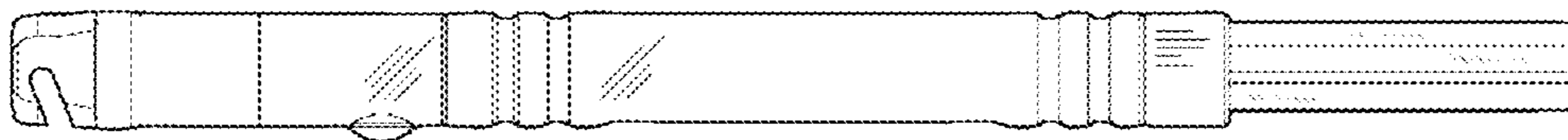


FIG. 22

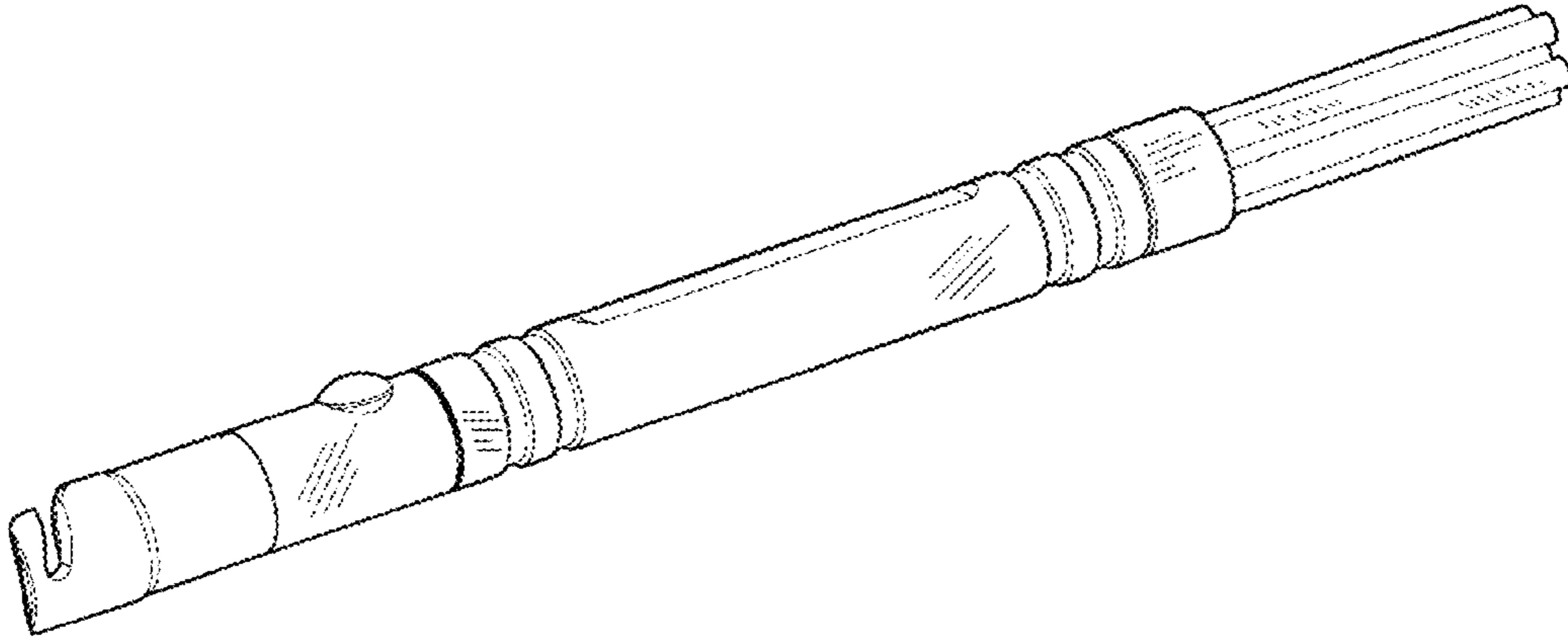


FIG. 23

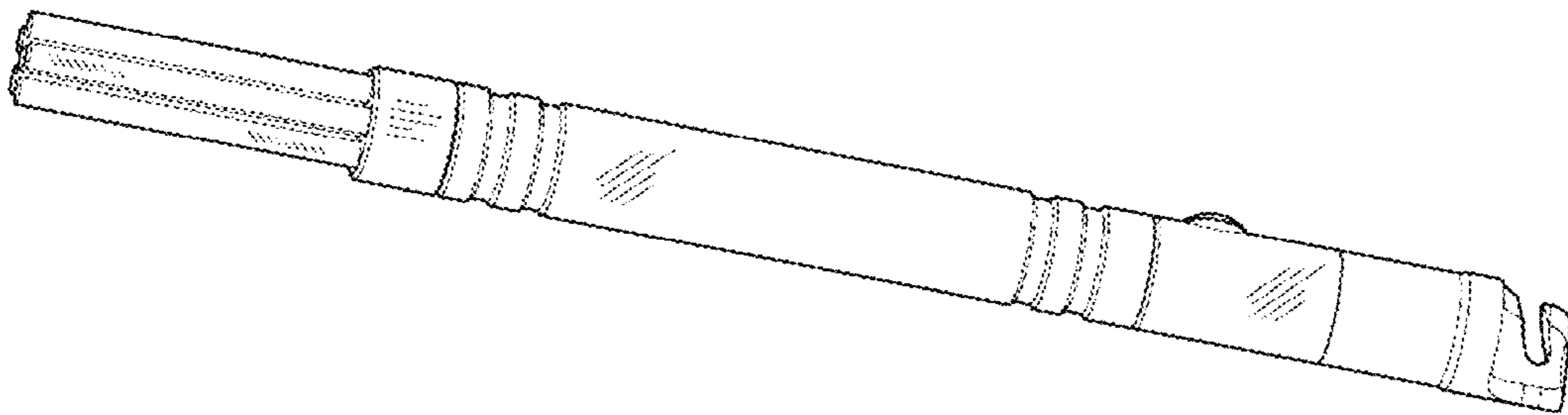


FIG. 24

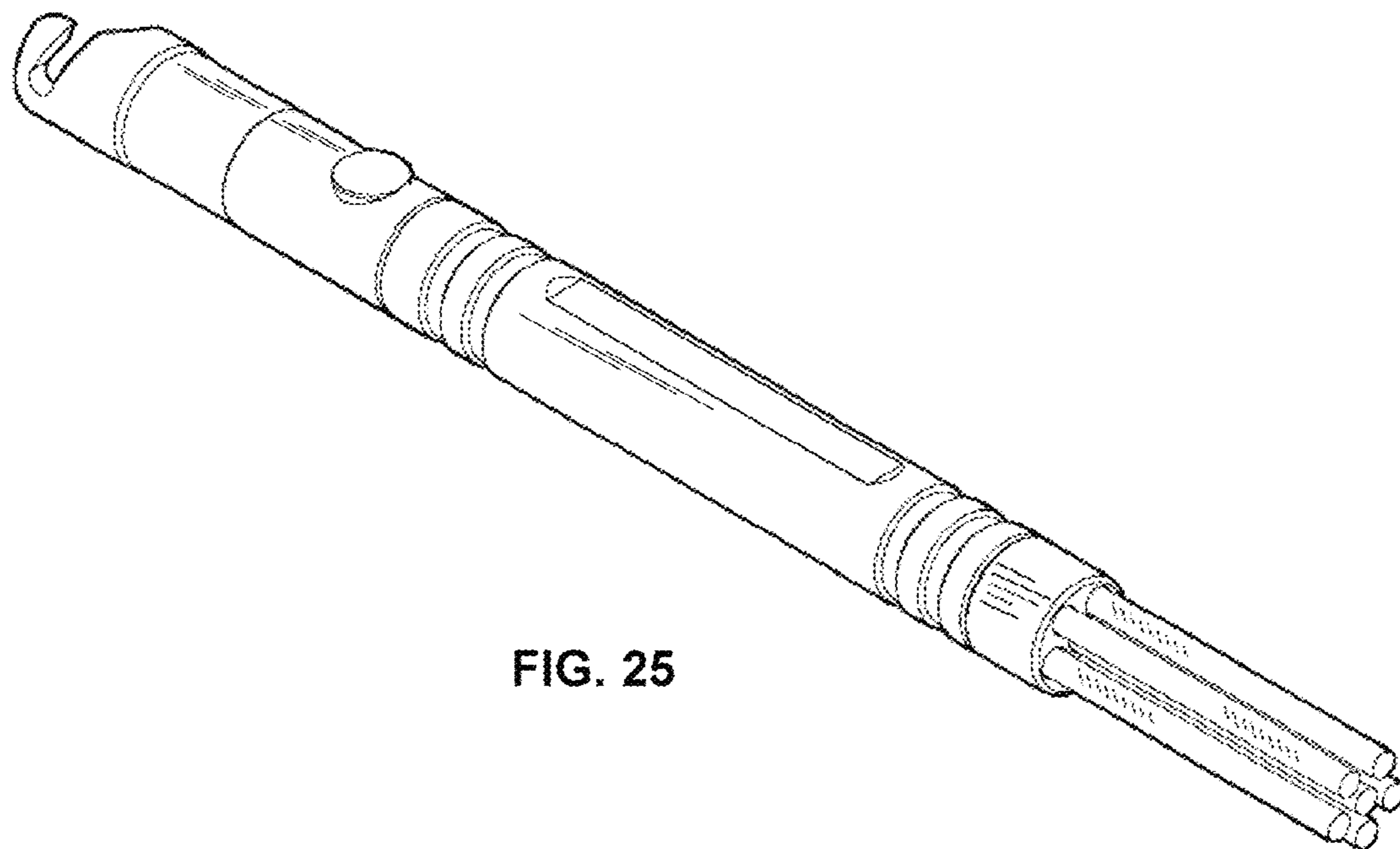


FIG. 25

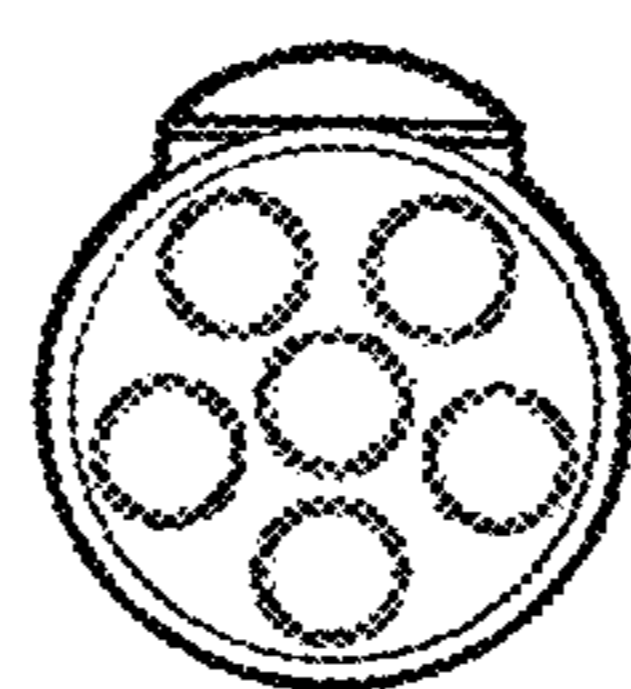


FIG. 26

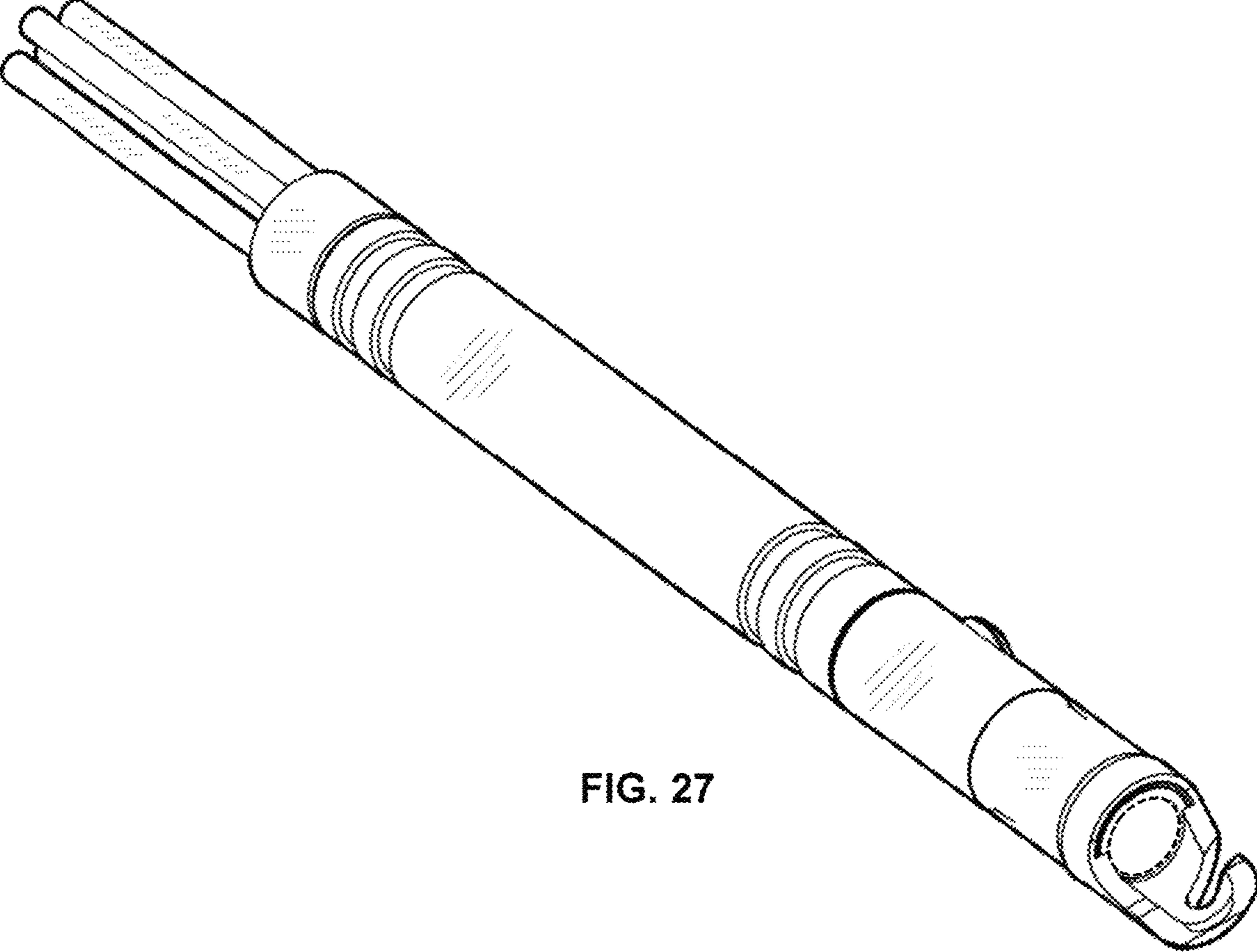


FIG. 27

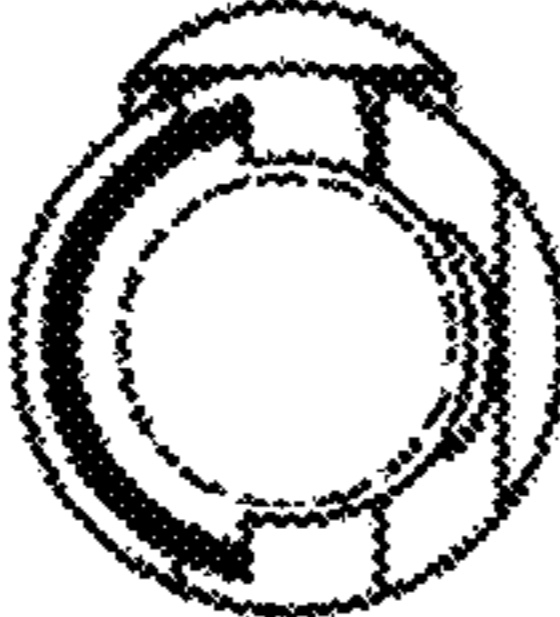


FIG. 28

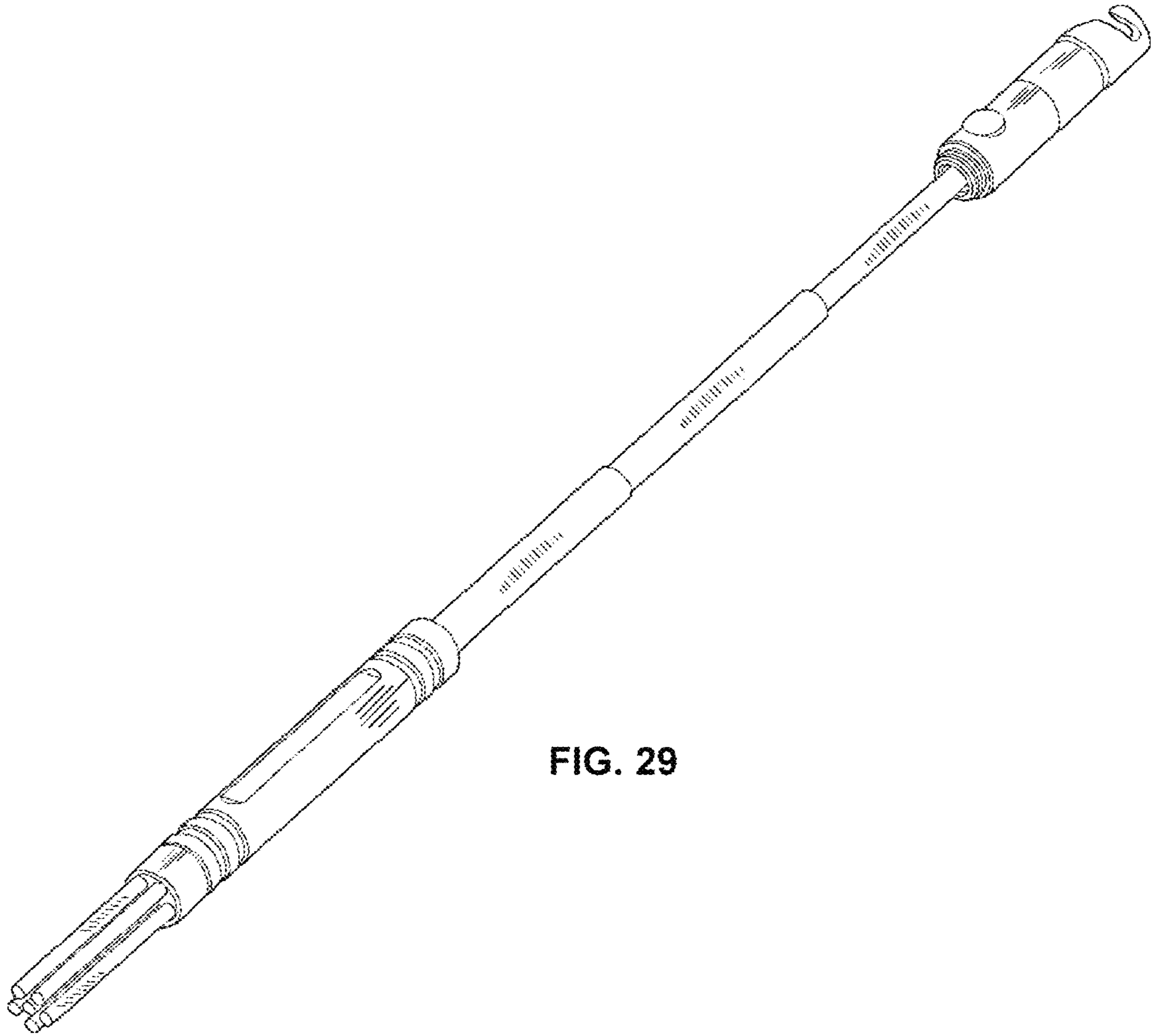


FIG. 29

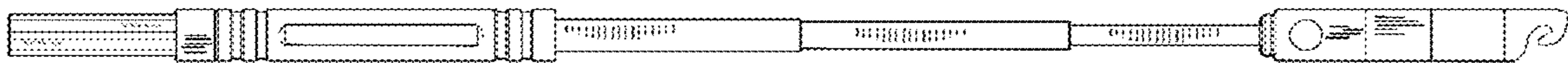


FIG. 30