

US00D976588S

(12) **United States Design Patent** (10) **Patent No.:** **US D976,588 S**
Snell (45) **Date of Patent:** **** Jan. 31, 2023**

(54) **ORGANIZER**

(71) Applicant: **InterDesign, Inc.**, Solon, OH (US)

(72) Inventor: **Russell Benton Snell**, Bentleyville, OH (US)

(73) Assignee: **InterDesign, Inc.**, Solon, OH (US)

(**) Term: **15 Years**

(21) Appl. No.: **29/750,965**

(22) Filed: **Sep. 17, 2020**

Related U.S. Application Data

(63) Continuation of application No. 29/635,457, filed on Feb. 15, 2018, now Pat. No. Des. 898,116.

(51) **LOC (14) Cl.** **03-01**

(52) **U.S. Cl.**
USPC **D3/313; D7/553.2**

(58) **Field of Classification Search**
USPC D6/672, 675; D7/500, 550.1, 553.1, D7/553.2, 554.3, 555; D9/456, 737; D3/304, 313, 315
CPC A47G 19/30; A47G 23/06; A47G 29/08; B65D 1/00; B65D 1/22; B65D 1/24; B65D 1/36

See application file for complete search history.

(56) **References Cited**

U.S. PATENT DOCUMENTS

D219,263 S * 11/1970 Castelli et al. D7/553.3
D232,302 S * 8/1974 Lazure D9/761
D235,499 S * 6/1975 Day D7/553.3
D276,444 S * 11/1984 Battle D19/75
4,529,464 A * 7/1985 Jones B29C 51/24
156/244.11
D280,060 S * 8/1985 Holzkopf D7/553.2
D283,666 S * 5/1986 Holzkopf D9/425
D316,359 S * 4/1991 Anderson D7/549

D318,207 S * 7/1991 Anderson D7/549
D351,997 S * 11/1994 Finnah D9/425
D352,202 S * 11/1994 Campbell D7/546
D352,203 S * 11/1994 Campbell D7/546
D363,856 S * 11/1995 Westbrook, Jr. D7/553.2
D367,172 S * 2/1996 Brightbill D7/553.3
D376,953 S * 12/1996 Dunn D7/553.3
D395,003 S * 6/1998 Daniels D9/737
D432,409 S * 10/2000 Feldmeier D9/761
D472,711 S * 4/2003 Chen D3/313
D537,633 S * 3/2007 Marnell, II D3/313

(Continued)

Primary Examiner — Kelley A Donnelly

(74) *Attorney, Agent, or Firm* — Calfee, Halter & Griswold LLP

(57) **CLAIM**

I claim the ornamental design for an organizer, as shown and described.

DESCRIPTION

FIG. 1 is a front/right/top perspective view of an organizer, disclaimed portions that would be visible behind the transparent surfaces being omitted for a clear disclosure of the surface configuration;

FIG. 2 is a front elevational view thereof;

FIG. 3 is a rear elevational view thereof;

FIG. 4 is a left side elevational view thereof;

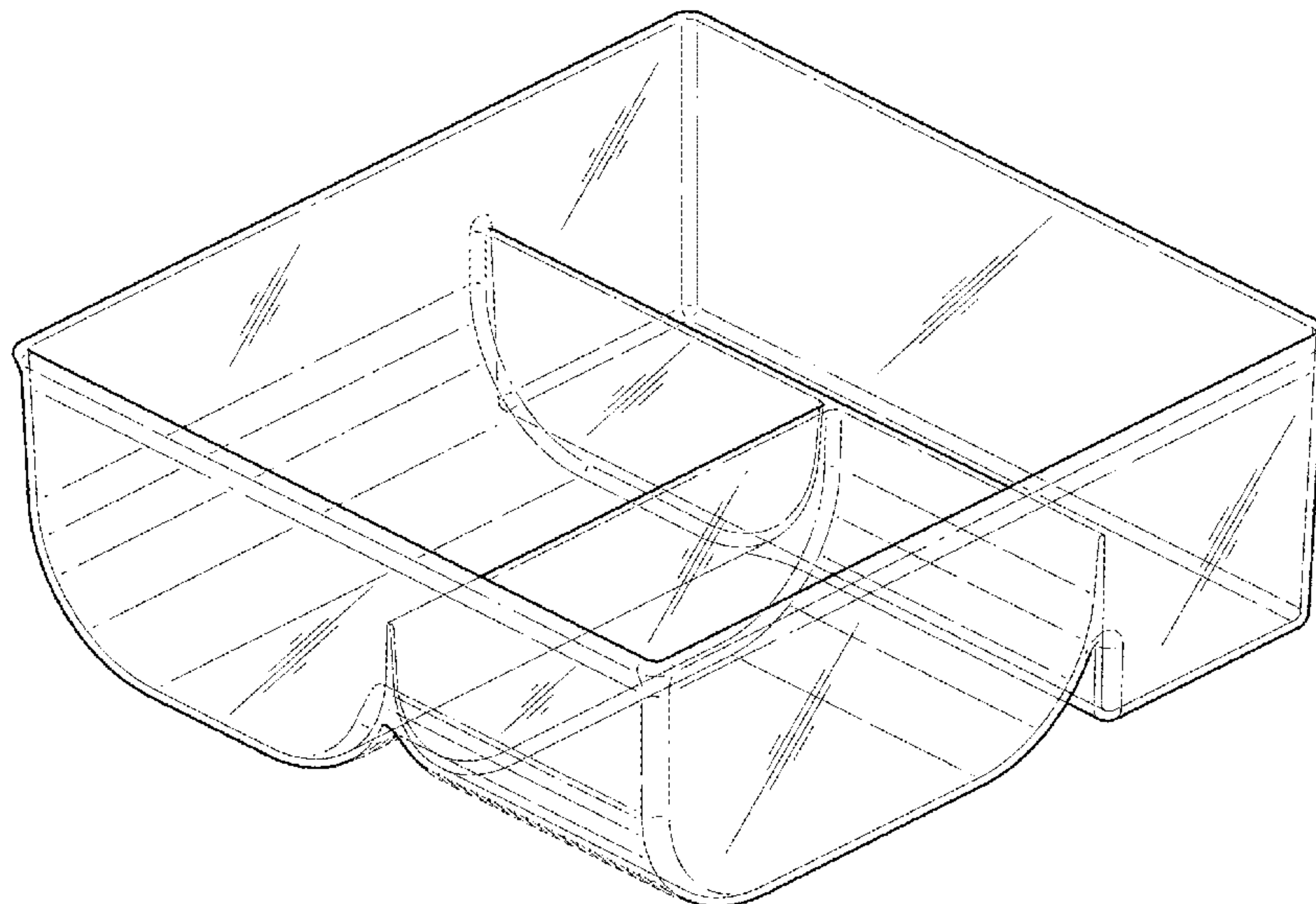
FIG. 5 is a right side elevational view thereof, disclaimed portions that would be visible behind the transparent surfaces being omitted for a clear disclosure of the surface configuration;

FIG. 6 is a top plan view thereof, disclaimed portions that would be visible behind the transparent surfaces being omitted for a clear disclosure of the surface configuration; and,

FIG. 7 is a bottom plan view thereof.

The broken lines depict environmental subject matter only and form no part of the claimed design.

1 Claim, 5 Drawing Sheets



(56)

References Cited

U.S. PATENT DOCUMENTS

D573,409 S * 7/2008 Lovett D7/553.3
D579,662 S * 11/2008 Dretzka D3/304
D586,623 S * 2/2009 Dunn D7/541
D605,896 S * 12/2009 Zalewski D7/553.1
D606,314 S * 12/2009 Neilsen D3/313
D606,885 S * 12/2009 Olsson D9/761
D651,047 S * 12/2011 Johnson D7/553.1
D688,572 S * 8/2013 Marin D9/425
D768,986 S * 10/2016 Parker D3/310
D778,155 S * 2/2017 Strachan D9/432
D780,846 S * 3/2017 Greenspon D19/77
D792,222 S * 7/2017 Sill D9/456
D793,868 S * 8/2017 Kim D9/756
D839,751 S * 2/2019 Troudt D9/737
D848,282 S * 5/2019 Troudt D9/737
D850,933 S * 6/2019 Troudt D9/737
D856,264 S * 8/2019 Kemerer D12/416
D871,921 S * 1/2020 Troudt D9/737
D876,836 S * 3/2020 Stevens D3/313
D887,712 S * 6/2020 Stevens D3/313
D928,873 S * 8/2021 Zhou D19/92
D941,026 S * 1/2022 Stevens D3/313
D952,465 S * 5/2022 Sill D9/456
D956,485 S * 7/2022 Veldkamp D7/637
D962,008 S * 8/2022 Moore D7/602
2005/0124521 A1 * 6/2005 Sadlowski D06F 39/024
510/295
2009/0186132 A1 * 7/2009 Mangino B65D 1/36
206/541
2018/0339807 A1 * 11/2018 Mobarhan A47G 23/06

* cited by examiner

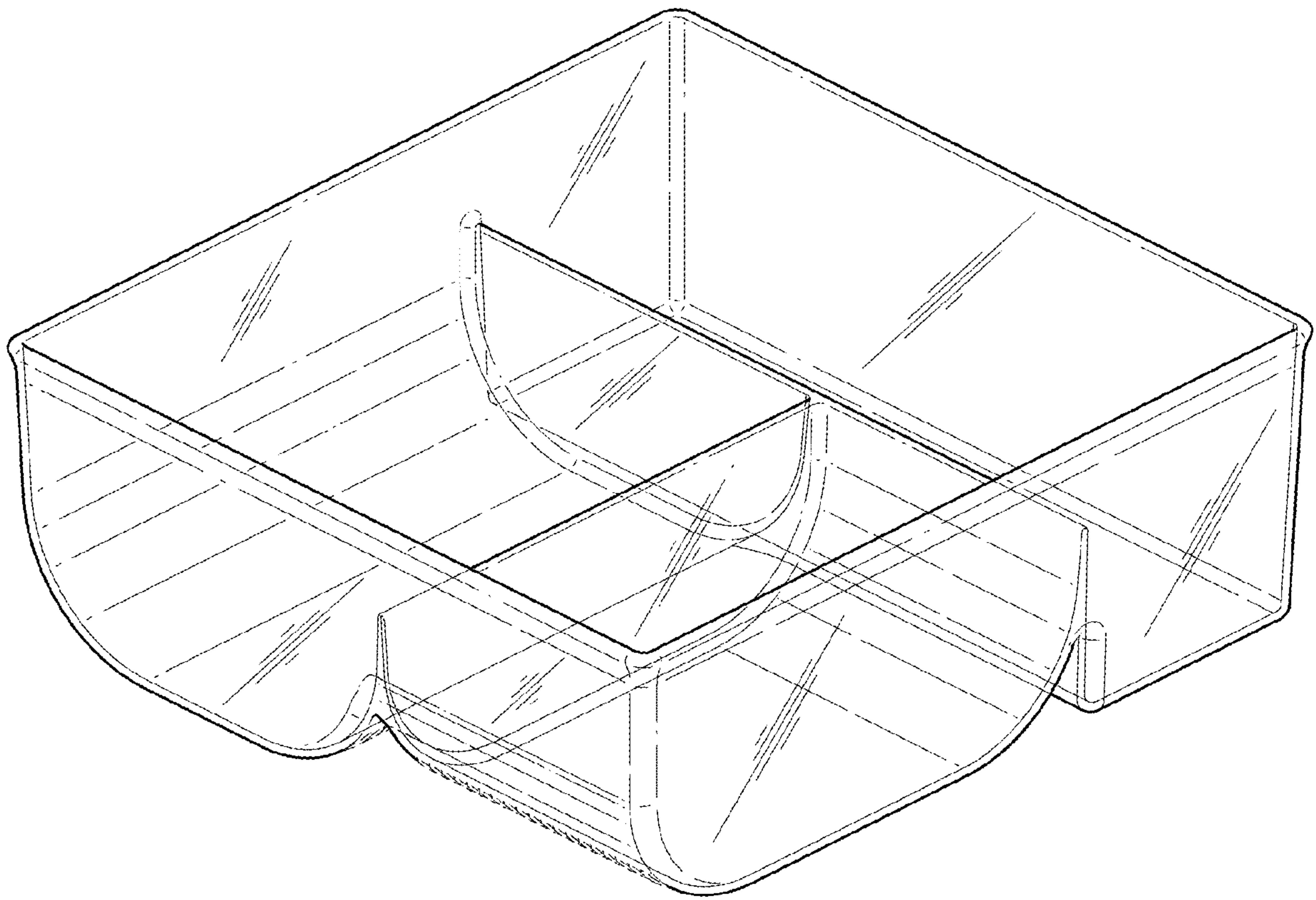


FIG. 1

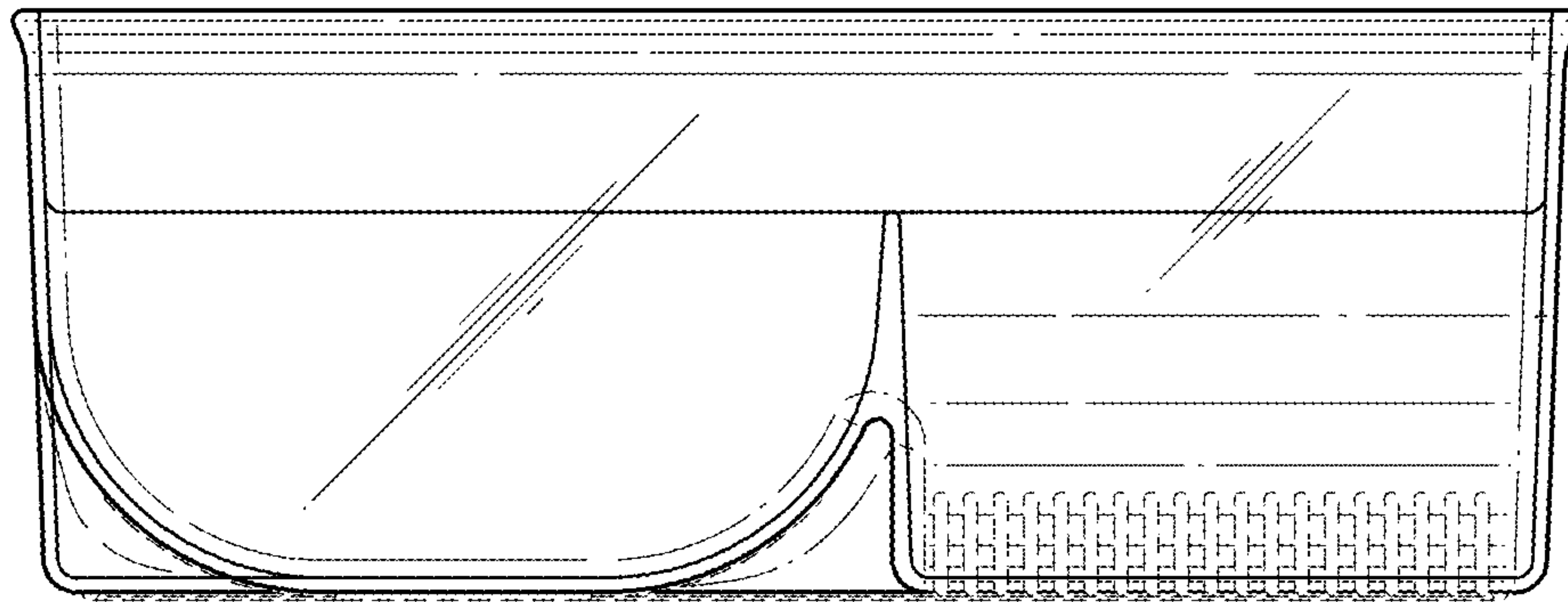


FIG. 2

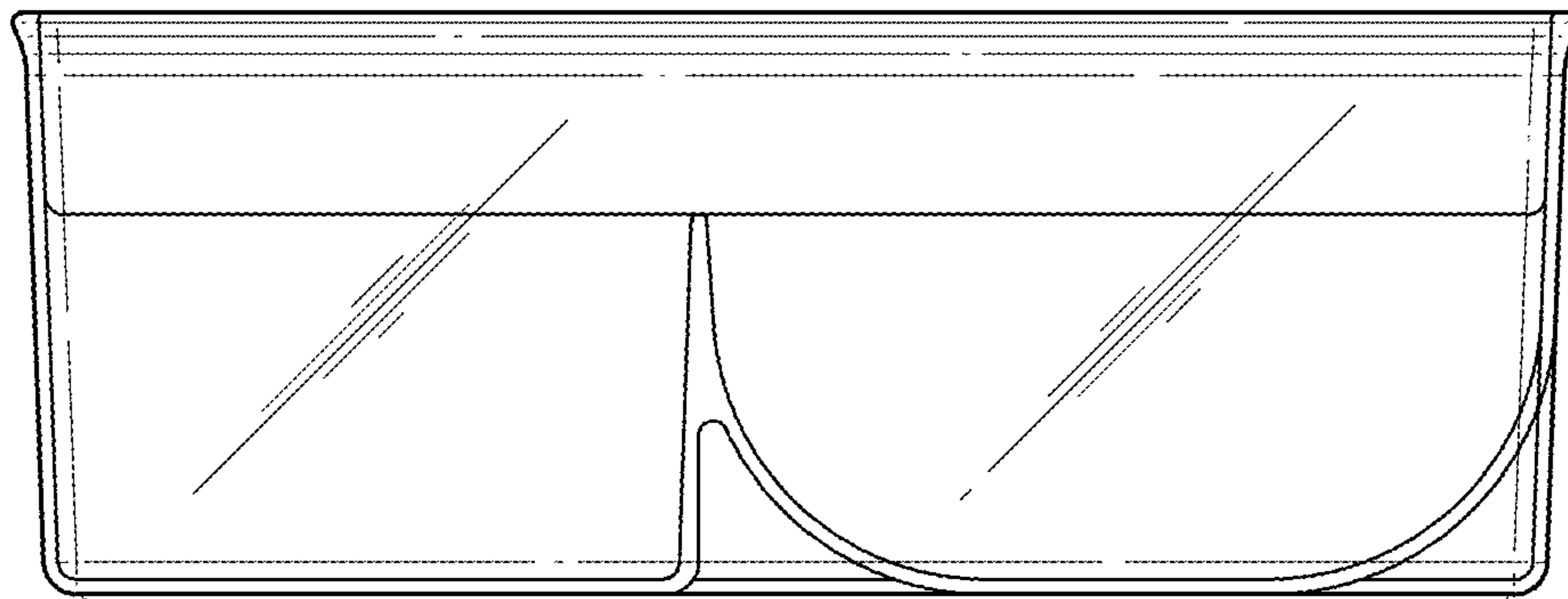


FIG. 3

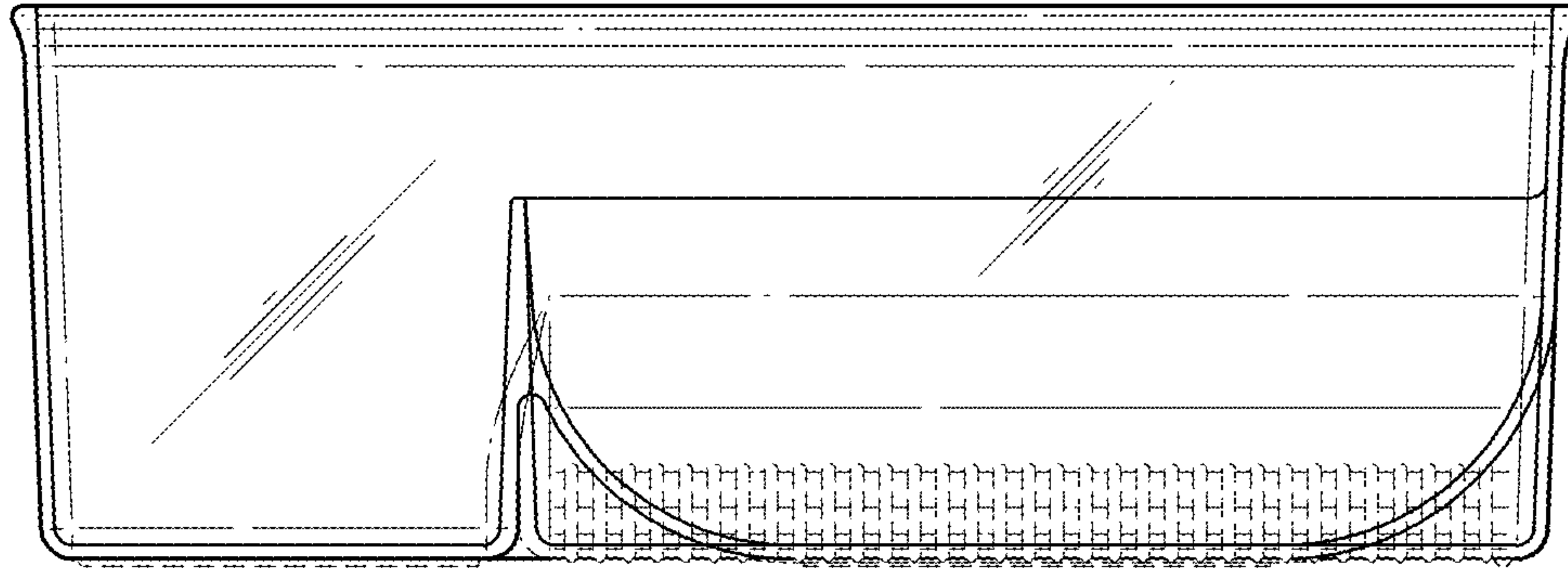


FIG. 4

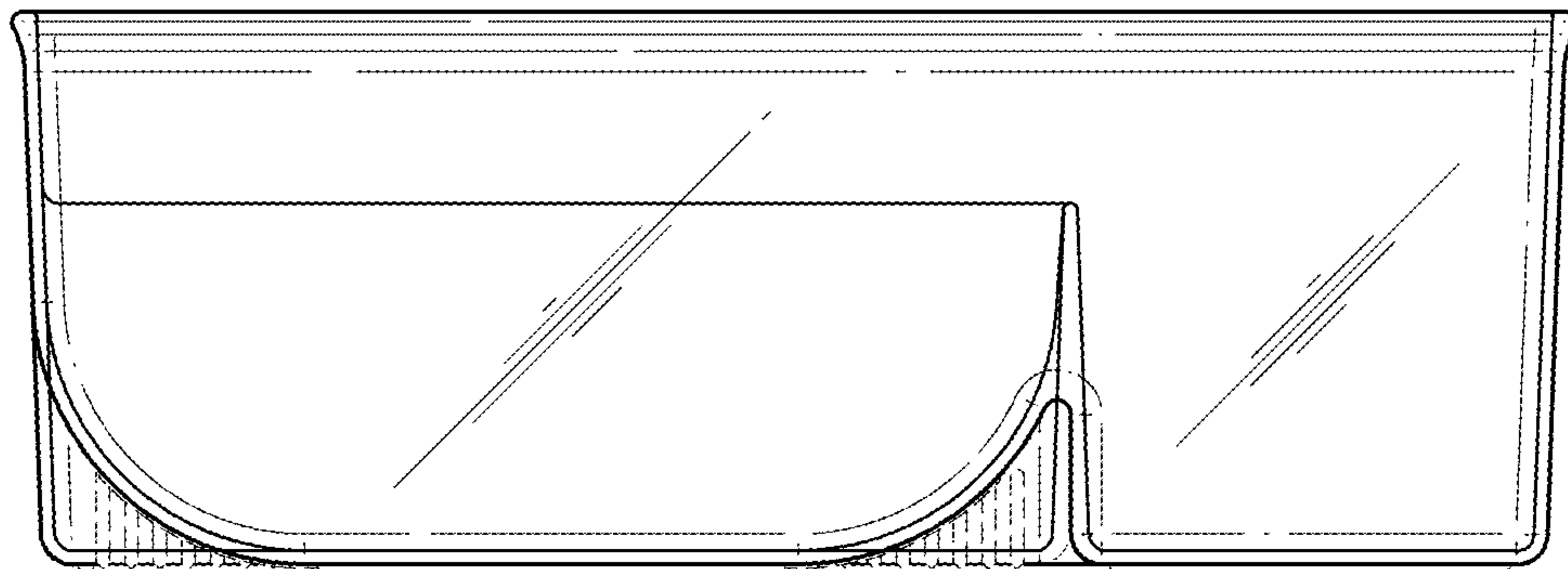


FIG. 5

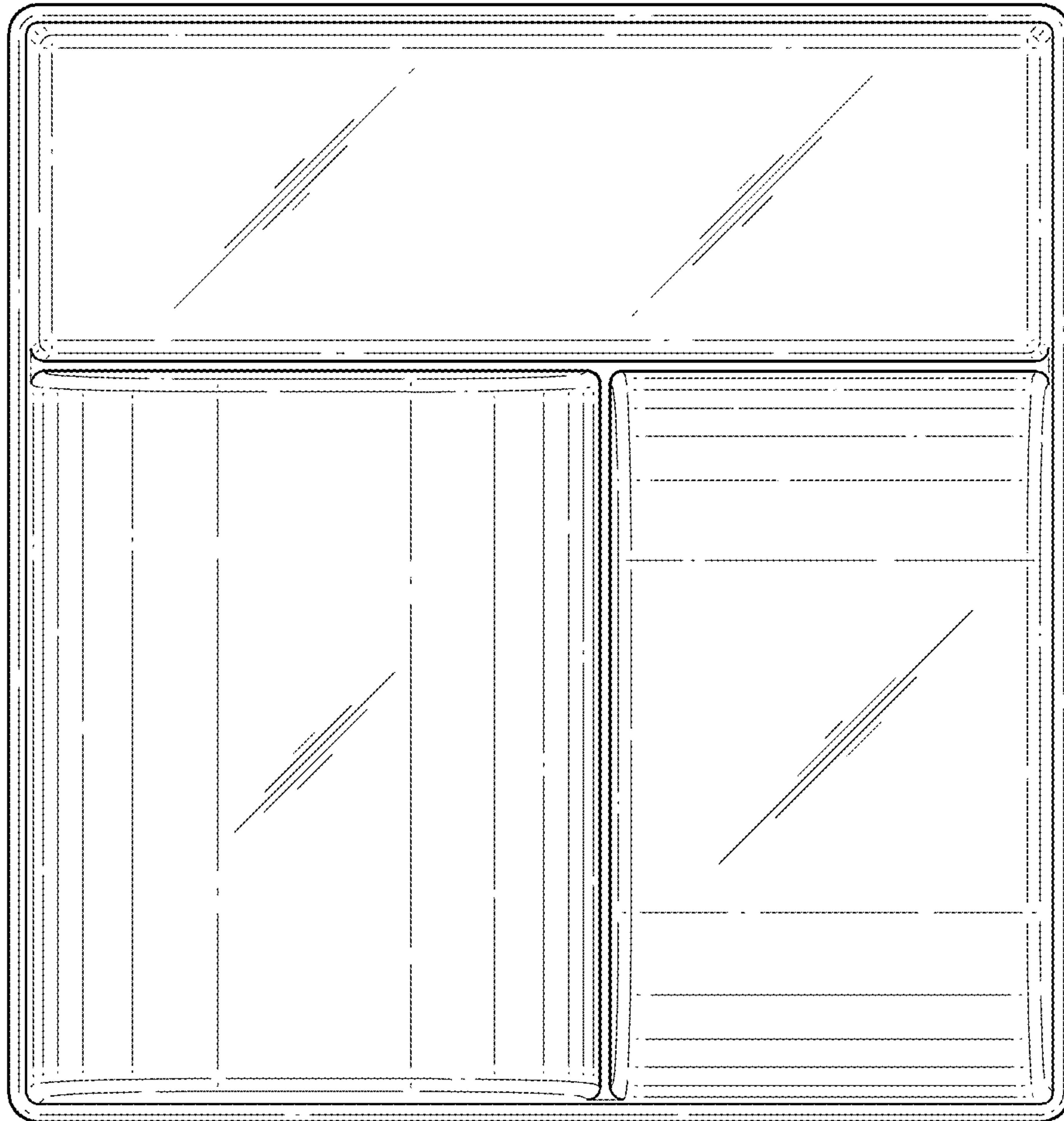


FIG. 6

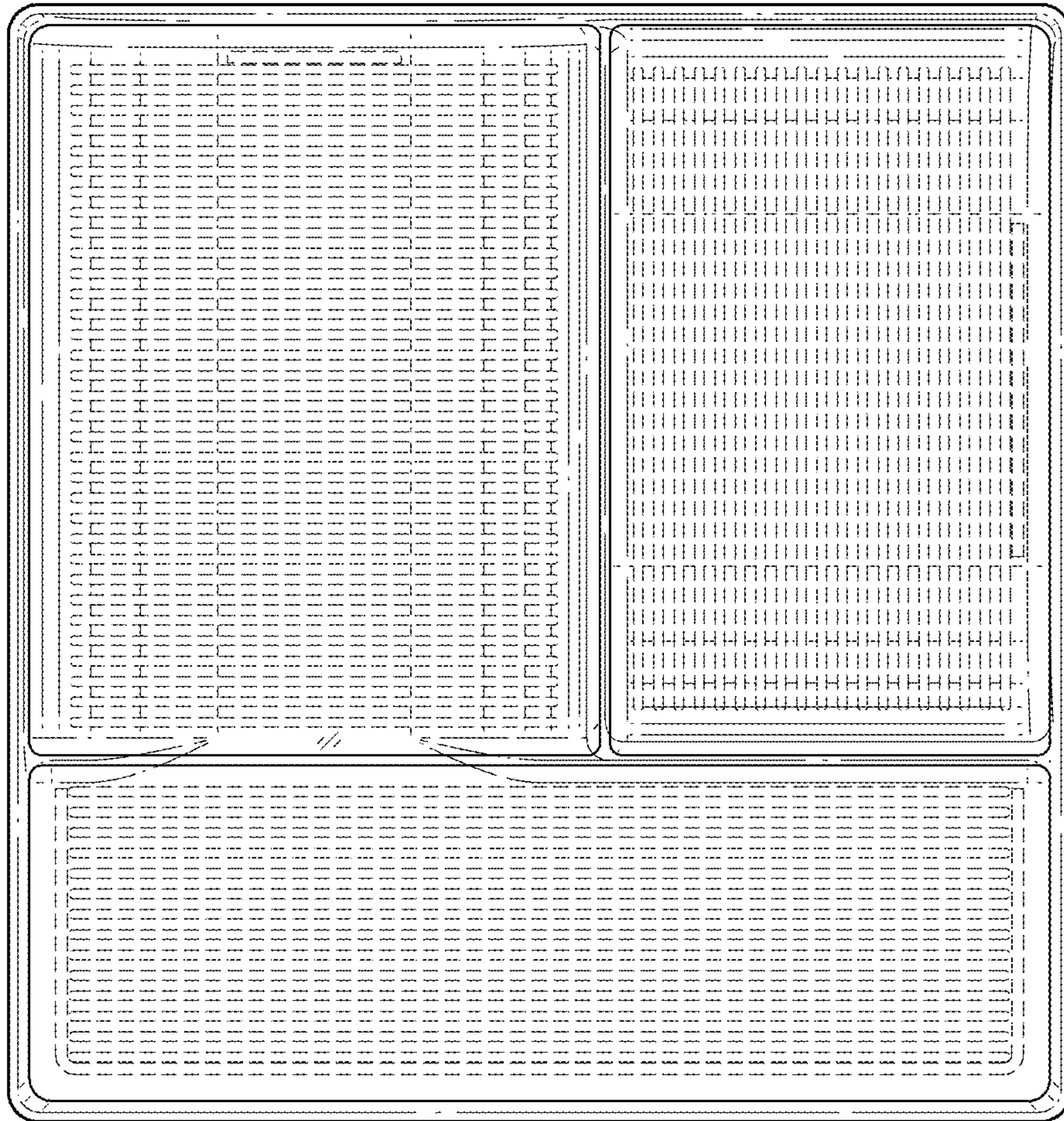


FIG. 7