



US00D976583S

(12) **United States Design Patent** (10) **Patent No.:** **US D976,583 S**
Wu (45) **Date of Patent:** **** Jan. 31, 2023**

(54) **TRACKING DEVICE CASE**
(71) Applicant: **Guangzhou Jianji Leather Co., Ltd.**,
Guangzhou (CN)
(72) Inventor: **Quan Wu**, Gaozhou (CN)
(**) Term: **15 Years**
(21) Appl. No.: **29/804,267**
(22) Filed: **Aug. 19, 2021**
(51) **LOC (14) Cl.** **13-01**
(52) **U.S. Cl.**
USPC **D3/249**
(58) **Field of Classification Search**
USPC D10/70, 31, 32, 38; D14/203.5, 203.1,
D14/203.6, 344; D3/218, 215, 207, 249,
D3/247, 208
CPC A45C 11/321
See application file for complete search history.

D765,975 S * 9/2016 Hoofnagle D3/905
D780,436 S * 3/2017 Fraser D3/207
D888,410 S * 6/2020 Jacob D3/207
D892,493 S * 8/2020 Carson D3/207
D919,890 S * 5/2021 Chung D3/215
D922,760 S * 6/2021 Jacob D3/207
D943,270 S * 2/2022 Carson D3/207

(Continued)

FOREIGN PATENT DOCUMENTS

CN 306975553 * 12/2021

OTHER PUBLICATIONS

Slim Wallet Case Designed for Airtag, YouTube, publication date
Jul. 10, 2021, (online) URL: <https://www.youtube.com/watch?v=WwYQRU2EHAw> (Year: 2021).*

(Continued)

Primary Examiner — George D. Kirschbaum
Assistant Examiner — Antoinette Martine Suiter
(74) *Attorney, Agent, or Firm* — Rumit Ranjit Kanakia

(56) **References Cited**

U.S. PATENT DOCUMENTS

3,111,152 A * 11/1963 Goessling A44B 15/00
206/38.1
D203,737 S * 2/1966 Friedman D11/79
D251,274 S * 3/1979 Colan D3/207
D259,445 S * 6/1981 Clarke D11/79
D308,294 S * 6/1990 Krassner D3/207
D384,198 S * 9/1997 Fortune D3/207
D392,797 S * 3/1998 Kampe D3/207
D447,332 S * 9/2001 Pisarevsky D3/207
D543,351 S * 5/2007 Bates D3/207
D544,706 S * 6/2007 Rimon D3/207
D554,361 S * 11/2007 Bates D3/207
D559,530 S * 1/2008 Bates D3/207
D574,607 S * 8/2008 Kelleghan D3/207
D609,213 S * 2/2010 Yeo D14/203.1
D666,407 S * 9/2012 Schoultz D3/207
D707,957 S * 7/2014 Oas D3/215
D712,135 S * 9/2014 Huang D3/218

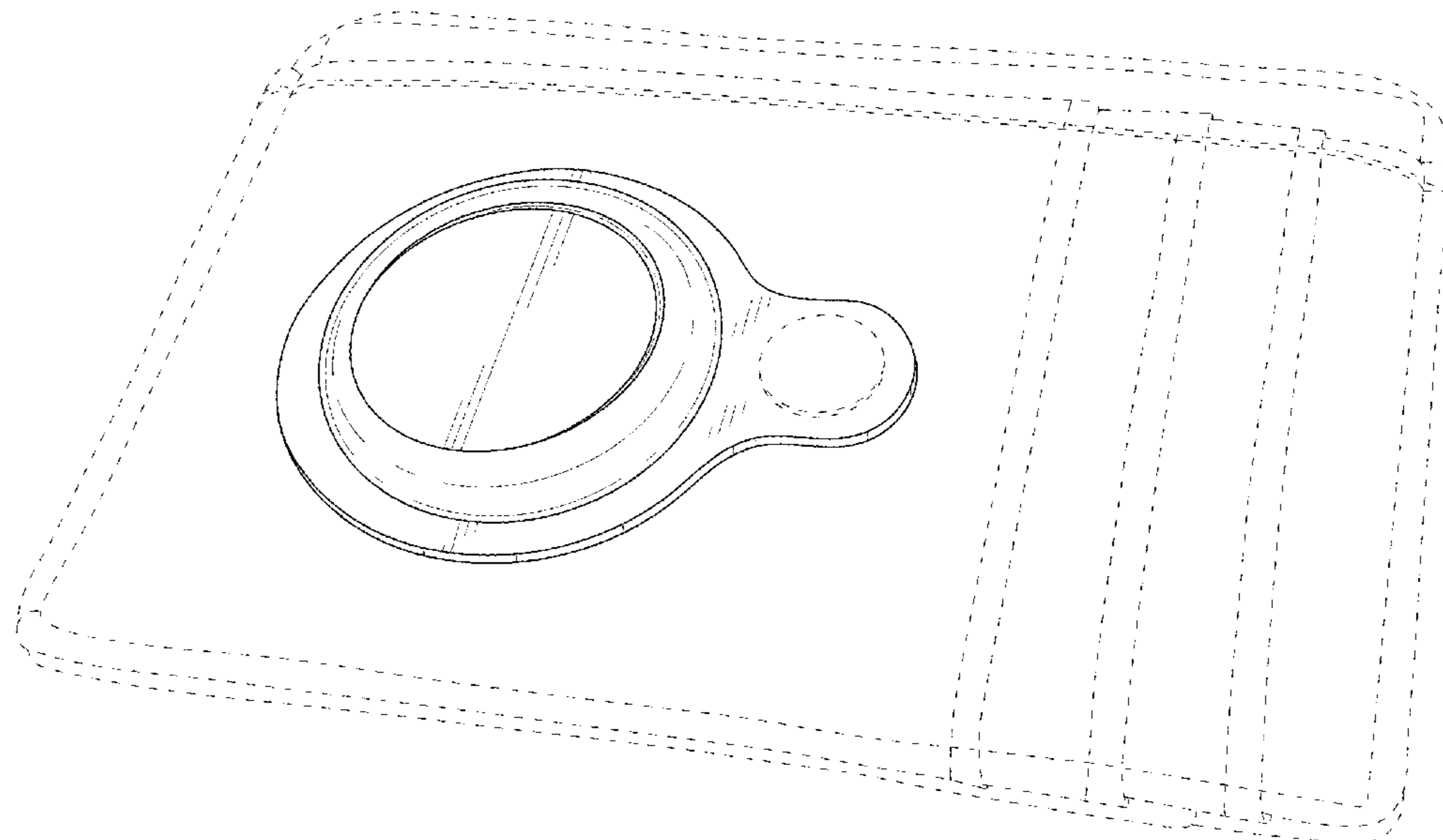
(57) **CLAIM**

The ornamental design for a tracking device case, as shown
and described.

DESCRIPTION

FIG. 1 is a perspective view of a tracking device case
showing my new design;
FIG. 2 is a front view thereof;
FIG. 3 is a back view thereof;
FIG. 4 is a right-side view thereof;
FIG. 5 is a left-side view thereof;
FIG. 6 is a top view thereof; and,
FIG. 7 is a bottom view thereof.
The broken lines in the drawings depict portions of the
tracking device case that form no part of the claimed design.

1 Claim, 5 Drawing Sheets



(56)

References Cited

U.S. PATENT DOCUMENTS

D949,553 S * 4/2022 Akana D3/215

OTHER PUBLICATIONS

Hawanik Slim Minimalist Front Pocket Wallet with Build-in Case Holder for AirTag, Amazon, date first available Feb. 3, 2022, (online) URL: <https://www.amazon.com/Hawanik-Minimalist-Pocket-Wallet-Built/dp/B0975HFFMM?th=1> (Year: 2022).*

A slim AirTag compatible wallet to carry AirTag in daily routine, May 8, 2021, <https://jianjileather.com/blogs/news/a-slim-airtag-compatible-wallet-to-carry-airtag-in-daily-routine> (Last accessed: Aug. 26, 2022).

* cited by examiner

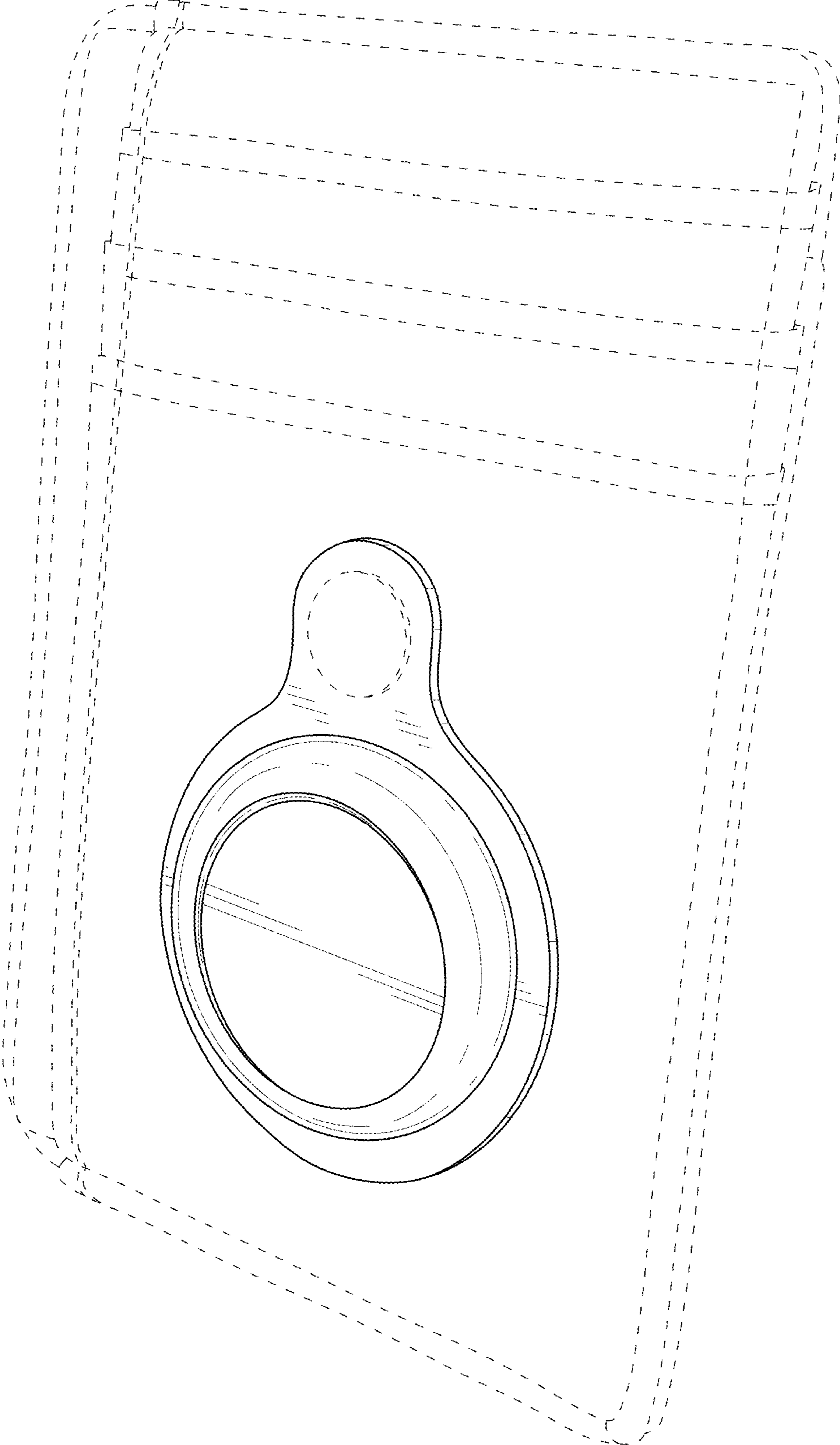


FIG. 1

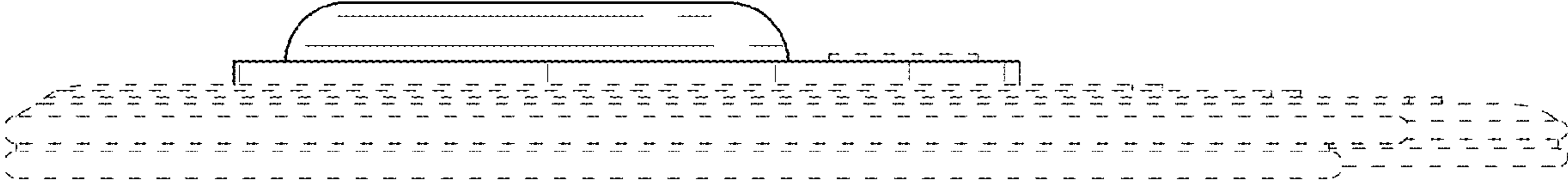


FIG. 2



FIG. 3

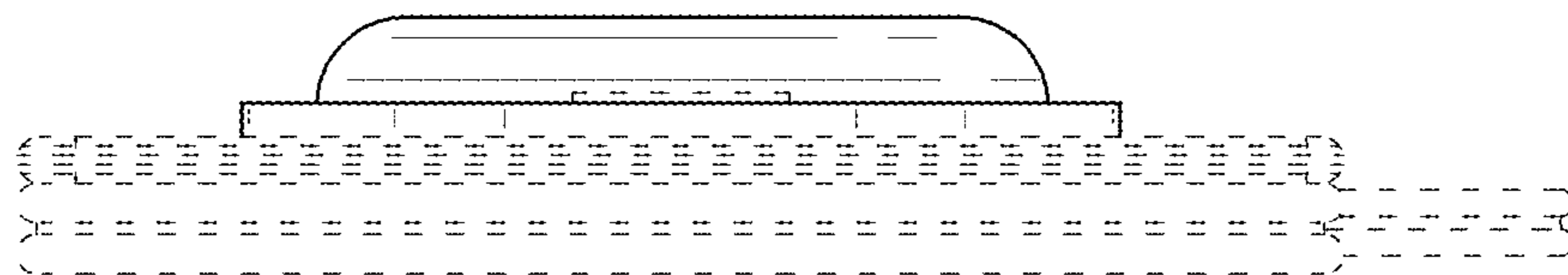


FIG. 4

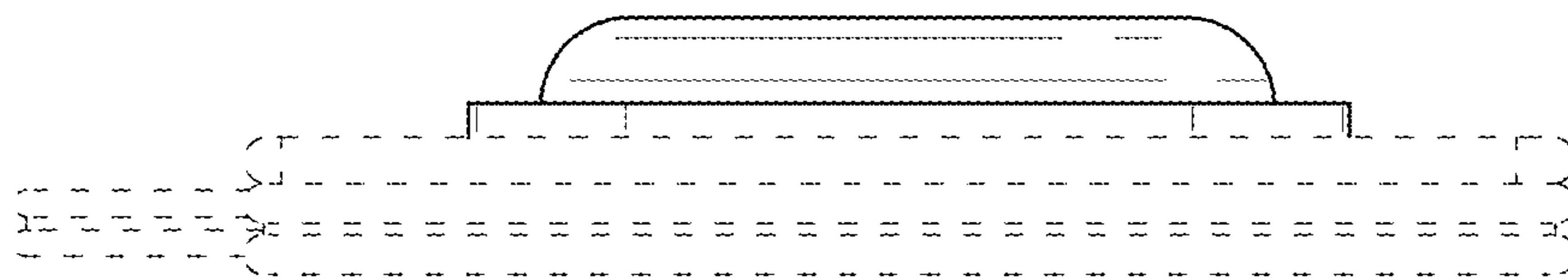


FIG. 5

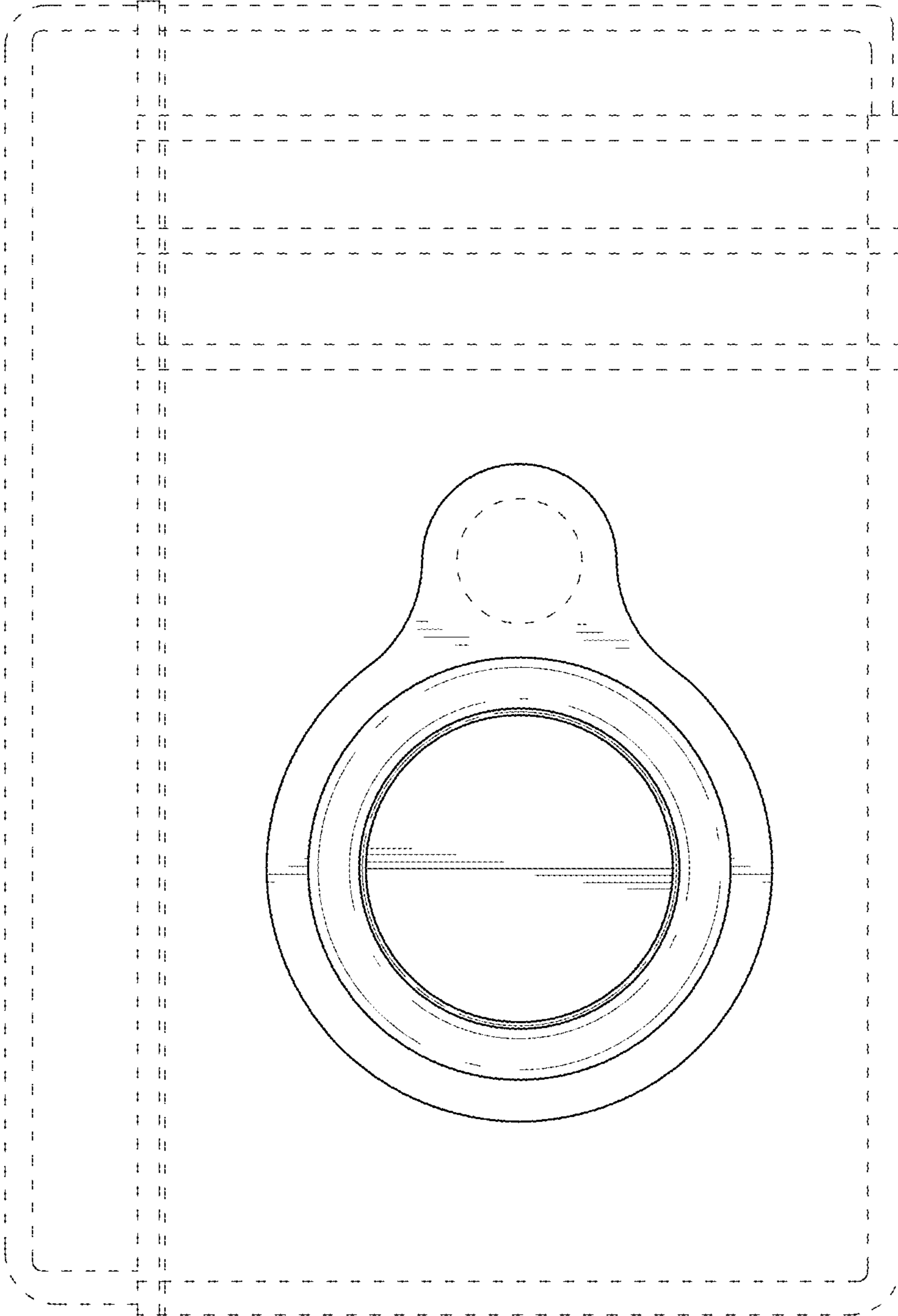


FIG. 6

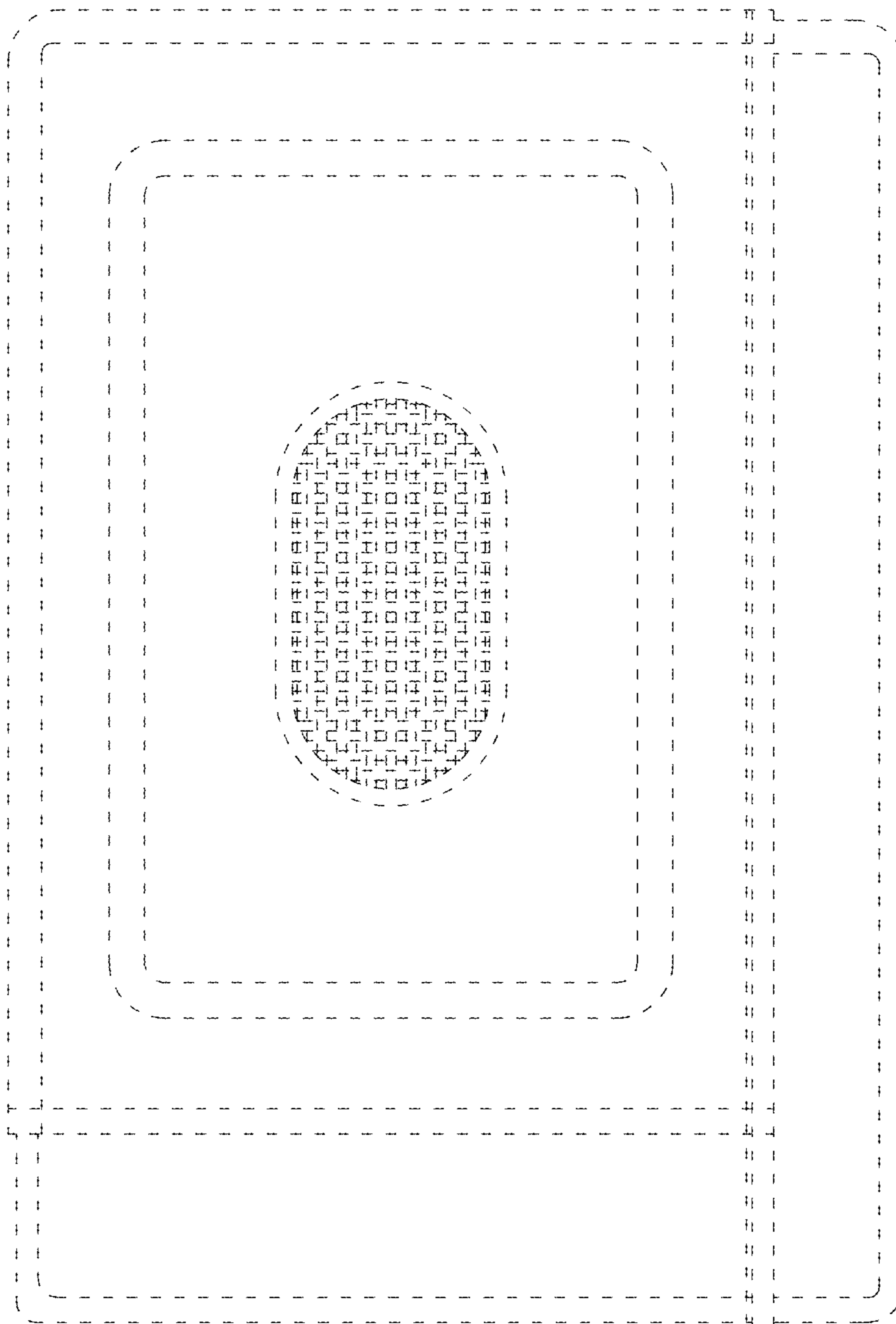


FIG. 7