



US00D976582S

(12) **United States Design Patent** (10) **Patent No.:** **US D976,582 S**
Del Moral et al. (45) **Date of Patent:** **** Jan. 31, 2023**

(54) **WALLET FOR MOBILE DEVICE**

FOREIGN PATENT DOCUMENTS

(71) Applicant: **Speculative Product Design, LLC**, San Mateo, CA (US)

CN 1402497 A 3/2003
CN 200944922 Y 9/2007

(Continued)

(72) Inventors: **Darrick Del Moral**, San Bruno, CA (US); **Bryan Hyncecek**, Redwood City, CA (US); **Eric Lo**, Oakland, CA (US); **Patrick Christian**, Petaluma, CA (US); **Christopher William Ledesma**, San Francisco, CA (US)

OTHER PUBLICATIONS

“Tuscany Phone Wallet with Fold Out Stand” [online]. Tuscany. [Retrieved on Apr. 8, 2022]. Retrieved from the Internet: <<https://www.4imprint.com/product/161301>>.*

(Continued)

(73) Assignee: **Speculative Product Design, LLC**, San Mateo, CA (US)

Primary Examiner — Mojtaba Tehrani

(74) *Attorney, Agent, or Firm* — Lerner, David, Littenberg, Krumholz & Mentlik, LLP

(**) Term: **15 Years**

(57) **CLAIM**

(21) Appl. No.: **29/675,949**

The ornamental design for a wallet for mobile device, as shown and described.

(22) Filed: **Jan. 7, 2019**

DESCRIPTION

(51) **LOC (14) Cl.** **03-01**

(52) **U.S. Cl.**
USPC **D3/249**

(58) **Field of Classification Search**
USPC D13/107–108, 103, 119; D14/217, 238.1, D14/240, 248, 250, 251–253, 439, 440, D14/447; D3/201, 269, 273, 301, 218, D3/247, 249, 303
CPC H04B 1/3888; H04M 1/0283; H04M 1/0202; A45C 1/06; A45C 11/00; A45C 13/02; A45C 2011/002; A45F 2005/026; A45F 2200/0525; A45F 2200/0516
See application file for complete search history.

FIG. 1 is a front view of a wallet for mobile device in accordance with a first embodiment of our invention; FIG. 2 is a left side view thereof; FIG. 3 is a right side view thereof; FIG. 4 is a rear view thereof; FIG. 5 is a top view thereof; FIG. 6 is a bottom view thereof; FIG. 7 is a front left perspective view thereof; FIG. 8 is a front view of a wallet for mobile device in accordance with a second embodiment of our invention; FIG. 9 is a left side view thereof; FIG. 10 is a right side view thereof; FIG. 11 is a rear view thereof; FIG. 12 is a top view thereof; FIG. 13 is a bottom view thereof; and, FIG. 14 is a front left perspective view thereof.

Any broken lines shown in the figures are for the purpose of illustrating structure that forms no part of the claimed design.

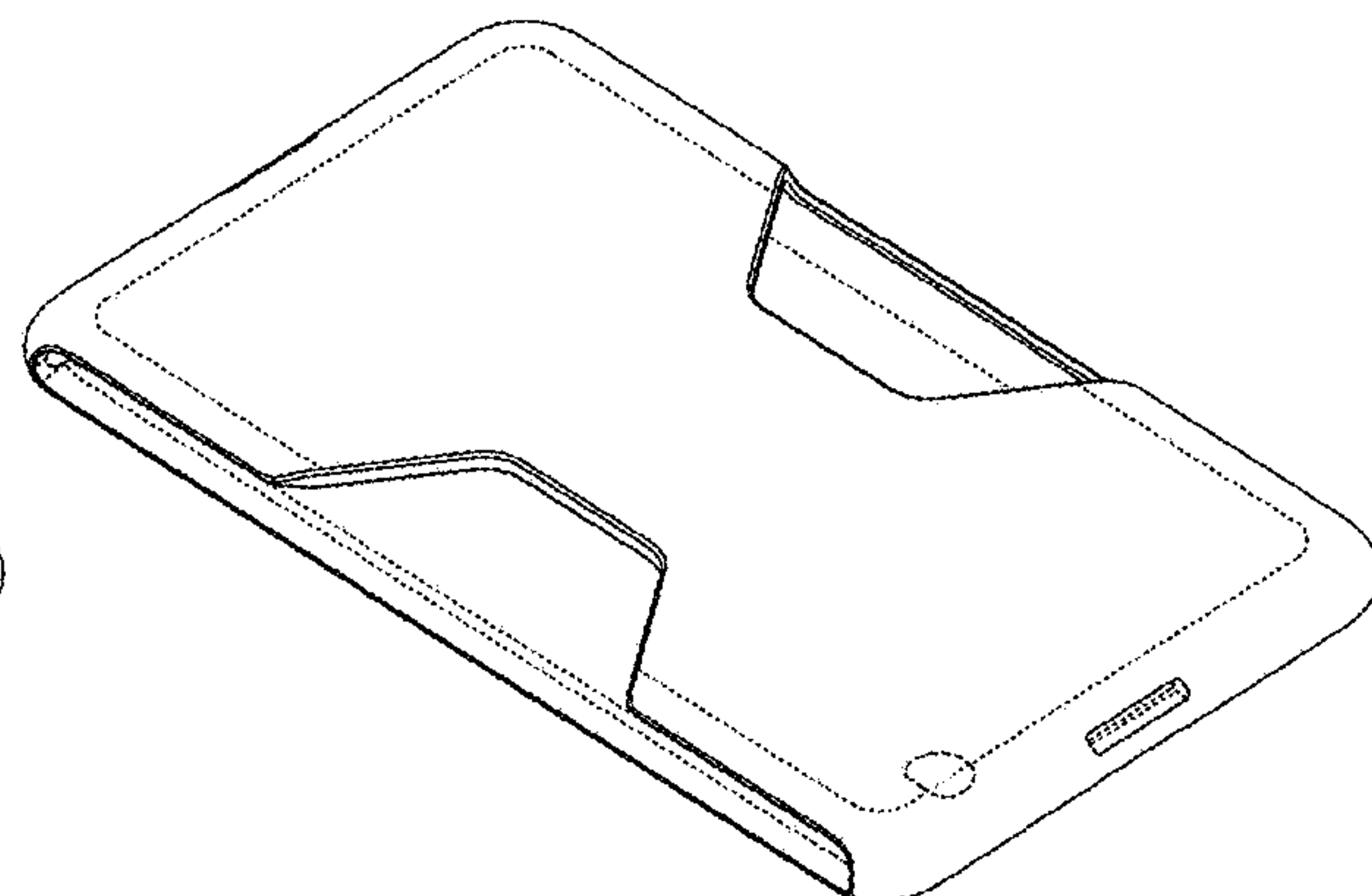
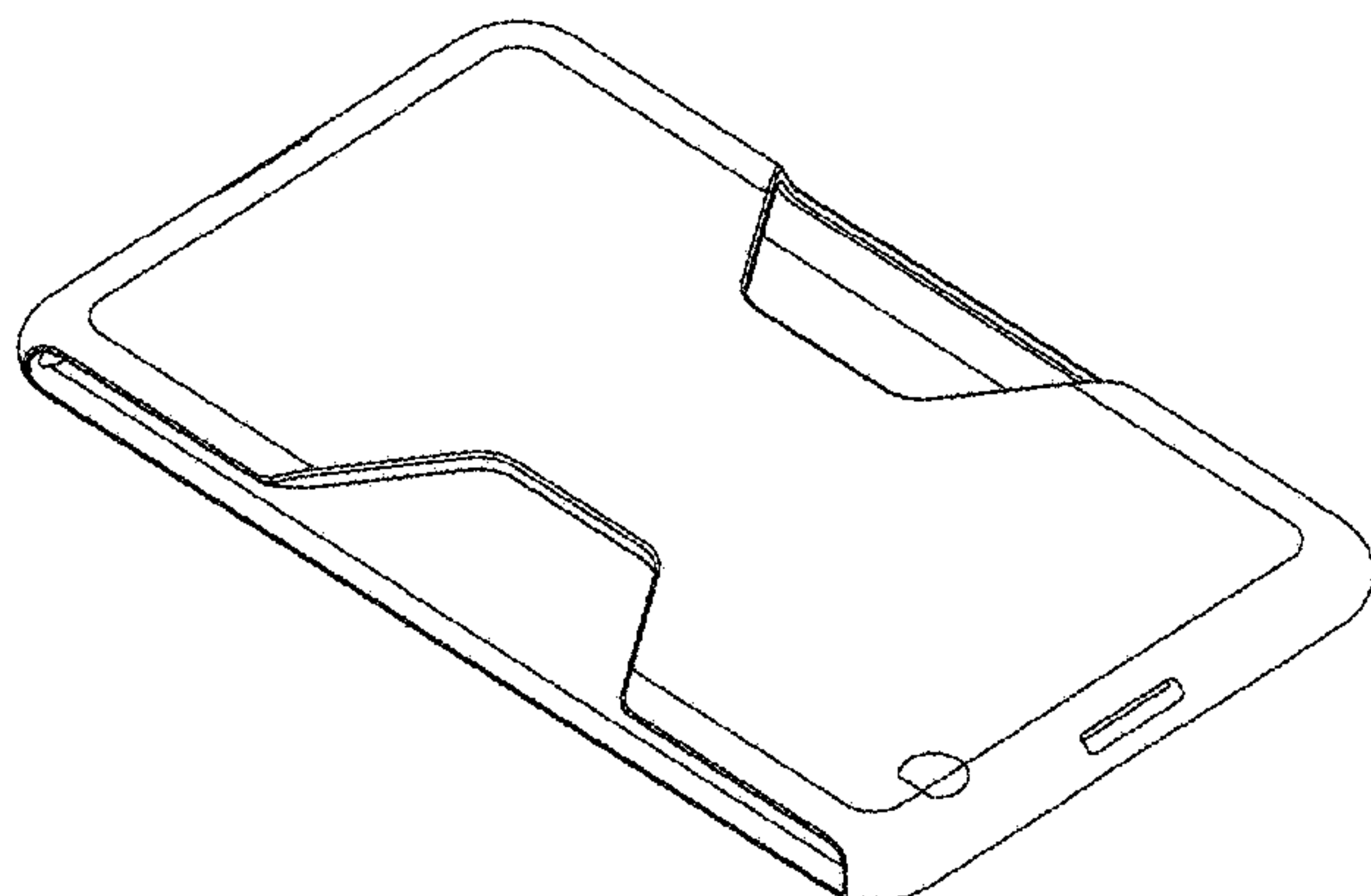
(56) **References Cited**

U.S. PATENT DOCUMENTS

4,071,065 A 1/1978 Halbich
4,768,648 A 9/1988 Glass
5,080,223 A 1/1992 Mitsuyama

(Continued)

1 Claim, 14 Drawing Sheets



(56)

References Cited

U.S. PATENT DOCUMENTS

5,360,108 A 11/1994 Alagia
 5,445,199 A 8/1995 Jia
 5,718,329 A 2/1998 Ippolito et al.
 5,933,328 A 8/1999 Wallace et al.
 6,026,873 A 2/2000 Van Geer
 6,068,119 A 5/2000 Derr et al.
 6,164,442 A 12/2000 Stravitz
 6,341,693 B2 1/2002 Konno et al.
 6,427,837 B1 8/2002 Shields
 6,533,118 B1 3/2003 Nelson
 6,616,111 B1 9/2003 White
 6,634,494 B1 10/2003 Derr et al.
 7,093,717 B2 8/2006 Sakai et al.
 7,204,398 B1 4/2007 Smith, Sr.
 D565,840 S 4/2008 Kwak
 D567,500 S 4/2008 Kwak et al.
 D574,819 S 8/2008 Andre et al.
 D602,689 S 10/2009 Hewitt
 7,641,046 B2 1/2010 Tsang et al.
 D615,078 S 5/2010 Bradley
 D619,130 S 7/2010 Fellig
 D619,356 S 7/2010 Hillman
 D624,064 S 9/2010 Esposito
 D626,119 S 10/2010 Fellig
 D631,246 S 1/2011 Boettner
 8,047,364 B2 11/2011 Longinotti-Buitoni
 D653,656 S 2/2012 Charnas et al.
 D665,994 S 8/2012 Bamke
 8,251,210 B2 8/2012 Schmidt et al.
 8,267,251 B2 9/2012 Mongan et al.
 8,418,852 B2 5/2013 Ziemba
 8,504,127 B2 8/2013 Altschul et al.
 8,596,449 B2 12/2013 Mongan et al.
 8,726,952 B2 5/2014 Jabunathan et al.
 D706,255 S 6/2014 Akana et al.
 8,757,376 B2 6/2014 Azzoni
 8,770,402 B2 7/2014 Bergreen et al.
 D712,890 S 9/2014 McCormac et al.
 8,833,379 B1 9/2014 Kaplan
 8,863,793 B2 10/2014 Black
 8,869,977 B2 10/2014 Nikosey
 D720,735 S 1/2015 Turocy
 D721,360 S 1/2015 Laffon de Mazieres et al.
 D724,573 S 3/2015 Stevinson
 8,978,886 B2 3/2015 Ziemba
 D726,171 S 4/2015 Edwards
 9,027,746 B2 5/2015 Smith
 9,060,580 B2 6/2015 Tages
 9,072,353 B2 * 7/2015 Fathollahi A45C 11/00
 D740,798 S 10/2015 Poon et al.
 D743,332 S * 11/2015 Ju D13/103
 D747,707 S 1/2016 Roberts et al.
 D747,708 S 1/2016 Roberts et al.
 D753,641 S 4/2016 Roberts et al.
 D754,651 S 4/2016 Roberts et al.
 D754,652 S 4/2016 Roberts et al.
 D756,344 S 5/2016 Roberts et al.
 D757,702 S 5/2016 Kanazawa
 D757,703 S 5/2016 Kanazawa
 D757,704 S 5/2016 Roberts et al.
 D759,004 S 6/2016 Stevinson
 D760,210 S 6/2016 Mao et al.
 D760,496 S 7/2016 Schioll
 9,413,412 B2 8/2016 Gipson
 D768,383 S * 10/2016 Wu D3/247
 D771,612 S 11/2016 Roberts et al.
 D772,854 S 11/2016 Igarashi
 D775,615 S 1/2017 Tien
 D776,100 S 1/2017 Igarashi
 D776,645 S 1/2017 Del Moral et al.
 D777,715 S 1/2017 Sawaya
 D778,271 S 2/2017 Stump et al.

9,615,476 B2 4/2017 Rayner et al.
 D786,192 S * 5/2017 Liu D13/107
 9,642,427 B2 5/2017 Ziemba
 D789,344 S 6/2017 Kim
 D803,151 S * 11/2017 Zhou D13/107
 9,872,546 B2 1/2018 Kim
 D813,162 S * 3/2018 Krantz D13/110
 D814,453 S 4/2018 Chiang et al.
 10,027,783 B2 7/2018 Dukerschein et al.
 D832,781 S * 11/2018 Nook D13/107
 D864,936 S 10/2019 Chiang et al.
 10,441,044 B2 10/2019 Chiang et al.
 D885,758 S * 6/2020 Adelman D20/27
 10,793,342 B2 * 10/2020 Minson B65D 83/0829
 D947,530 S * 4/2022 Marcel D3/247
 D949,140 S * 4/2022 He D14/447
 11,311,087 B2 * 4/2022 Del Moral A45C 1/06
 2003/0057112 A1 3/2003 Keough
 2003/0057277 A1 3/2003 Kimura et al.
 2003/0230514 A1 12/2003 Baker
 2005/0139498 A1 6/2005 Goros
 2005/0241972 A1 11/2005 Hassett
 2007/0057004 A1 3/2007 Butler et al.
 2007/0215663 A1 9/2007 Chongson et al.
 2007/0254129 A1 11/2007 Horblitt
 2007/0262112 A1 11/2007 Butler et al.
 2008/0121321 A1 5/2008 Tiner et al.
 2008/0121322 A1 5/2008 Thomson
 2008/0142129 A1 6/2008 Reasner et al.
 2008/0169351 A1 7/2008 Whiting
 2010/0096284 A1 4/2010 Bau
 2010/0116702 A1 5/2010 Schentrup et al.
 2010/0122756 A1 5/2010 Longinotti-Buitoni
 2010/0147737 A1 6/2010 Richardson et al.
 2010/0224519 A1 9/2010 Kao
 2010/0230201 A1 9/2010 McVicar
 2010/0230301 A1 9/2010 Fellig
 2011/0259771 A1 10/2011 Johnson
 2011/0277892 A1 11/2011 Black
 2011/0294556 A1 12/2011 Carlberg et al.
 2012/0037524 A1 2/2012 Lonsdale et al.
 2012/0067751 A1 * 3/2012 Mongan A45C 11/00
 206/216
 2013/0037187 A1 2/2013 D'Amore et al.
 2013/0061990 A1 3/2013 Syma
 2014/0076747 A1 3/2014 Mongan et al.
 2014/0191003 A1 7/2014 Cox
 2014/0251368 A1 9/2014 Lawson et al.
 2014/0262853 A1 9/2014 DeChant
 2015/0059937 A1 3/2015 Singer
 2015/0119118 A1 4/2015 Ashley et al.
 2015/0195929 A1 7/2015 Roberts et al.
 2016/0206065 A1 7/2016 Ehrlich
 2017/0187853 A1 6/2017 Dukerschein et al.
 2017/0188676 A1 7/2017 Denike et al.
 2017/0196331 A1 7/2017 Gluck
 2017/0354229 A1 * 12/2017 Berkley A45D 42/02
 2020/0214410 A1 * 7/2020 Del Moral A45C 11/321
 2020/0214411 A1 * 7/2020 Del Moral A45C 1/06

FOREIGN PATENT DOCUMENTS

CN 201178768 Y 1/2009
 CN 201571638 U 9/2010
 CN 104883923 A 9/2015
 CN 207504952 U 6/2018
 FR 2709475 A3 3/1995
 JP H09266809 A 10/1997
 JP 2004159683 A 6/2004
 JP 3159716 U 6/2010
 KR 200446444 Y1 10/2009
 KR 100934120 B1 12/2009
 KR 20100011646 U 12/2010
 KR 101054575 B1 8/2011
 KR 200458135 Y1 1/2012
 KR 20120067260 A 6/2012
 KR 101929202 B1 12/2018

(56)

References Cited

FOREIGN PATENT DOCUMENTS

WO 2006097780 A1 9/2006
 WO 2012149304 A1 11/2012

OTHER PUBLICATIONS

Chinese Search Report for Application No. 202010013862.3, dated May 7, 2021, 7 pages.

Del Moral et al., U.S. Appl. No. 29/696,081, filed Jun. 25, 2019, "Wallet for Mobile Device or Mobile Device Case."

European Union Intellectual Property Office Community Design Registration No. 004034544-0001, filed and registered on Jun. 6, 2017, entitled "Presidio Wallet", and published on Aug. 17, 2017.

European Union Intellectual Property Office Community Design Registration No. 004034544-0002, filed and registered on Jun. 6, 2019, entitled "Presidio Wallet", and published on Aug. 17, 2017.

European Union Intellectual Property Office Community Design Registration No. 006612875-0005, filed and registered on Jul. 4, 2019, entitled "Wallet For Mobile Device Or Mobile Device Case", published on Jul. 29, 2019.

European Union Intellectual Property Office Community Design Registration No. 006612875-0006, filed and registered on Jul. 4, 2019, entitled "Wallet For Mobile Device Or Mobile Device Case", and published on Jul. 29, 2019.

European Union Intellectual Property Office Community Design Registration No. 006612875-0007, filed and registered on Jul. 4, 2019, entitled "Wallet For Mobile Device Or Mobile Device Case", and published on Jul. 29, 2019.

European Union Intellectual Property Office Community Design Registration No. 006612875-0008, filed and registered on Jul. 4, 2019, entitled "Wallet For Mobile Device Or Mobile Device Case", and published on Jul. 29, 2019.

European Union Intellectual Property Office Community Design Registration No. 006612875-0001, filed and registered on Jul. 4, 2019, entitled "Wallet For Mobile Device Or Mobile Device Case", and published on Jul. 29, 2019.

European Union Intellectual Property Office Community Design Registration No. 006612875-0002, filed and registered on Jul. 4, 2019, entitled "Wallet For Mobile Device Or Mobile Device Case", and published on Jul. 29, 2019.

European Union Intellectual Property Office Community Design Registration No. 006612875-0003, filed and registered on Jul. 4, 2019, entitled "Wallet For Mobile Device Or Mobile Device Case", and published on Jul. 29, 2019.

European Union Intellectual Property Office Community Design Registration No. 006612875-0004, filed and registered on Jul. 4, 2019, entitled "Wallet For Mobile Device Or Mobile Device Case", and published on Jul. 29, 2019.

Chinese Office Action including Search Report for Application No. 2011800453951 dated Aug. 5, 2014, 5 pages.

Chinese Search Report for Application No. 2011800453951 dated Aug. 19, 2015, 1 page.

Chinese Search Report for Application No. 201610137326.8 dated Jun. 10, 2019, pp. 1-2.

Extended European Search Report for Application No. 11827427.3 dated Dec. 4, 2017, 8 pages.

Extended European Search Report for Application No. 13834548.3 dated Apr. 8, 2016, 7 pages.

<http://www.case-mate.com/iPhone-3G-Cases/Case-Mate-iPhone-3G-3GS-ID-Credit-Card-Cases.asp>, downloaded from the internet on Apr. 23, 2012, 3 pages.

<http://www.case-mate.com/products/black-iphone-6-6s-wallet-portfolio-case>, downloaded from the internet on Feb. 8, 2017, 14 pages.

<http://www.otterbox.com/en-us/commuter-series-wallet>, downloaded from the internet on Feb. 16, 2017, 8 pages.

<http://www.otterbox.com/en-us/strada-series>, downloaded from the internet on Feb. 8, 2017, 7 pages.

<http://www.spigen.com/products/iphone-6-case-wallet-s-4-7?variant=5905351489>, downloaded from the internet on Feb. 8, 2017, 12 pages.

<https://www.incipio.com/cases/iphone-cases/iphone-7-cases/iphone-7-stashback-case.html>, downloaded from the internet on Feb. 8, 2017, 8 pages.

<https://www.incipio.com/cases/iphone-cases/iphone-7-cases/iphone-7-stowaway-case.html>, downloaded from the internet on Feb. 8, 2017, 5 pages.

International Search Report and Written Opinion dated May 1, 2012 in related International Application No. PCT/US2011/052519 filed Sep. 21, 2011, 9 pages.

International Search Report for Application No. PCT/US2013/057995 dated Dec. 4, 2013, 3 pages.

Incipio DualPro Case, posted at amazon.com, posting date not given, [online], [site visited Jul. 20, 2017]. Available from Internet, <URL: <https://www.amazon.com/iPhoneIncipioDualProShockAbsorbing/dp/B01JPIBZUO>>.

LOHASIC 3-In-1 Case, posted at amazon.com, posting date not given, [online], [site visited Jul. 20, 2017]. Available from Internet, <URL: <https://www.amazon.com/RoybensAntiScratchAntifingerprintShockproofElectroplate/dp/B01LMW06DG>>.

OtterBox Symmetry Case, posted at amazon.com, posting date not given, [online], [site visited Jul. 20, 2017]. Available from Internet, <URL: <https://www.amazon.com/OtterBoxSYMMETRYCaseiPhoneONLY/dp/B01K6PB3XG/>>.

Speck iPhone 7 Plus Presidio, posted at amazon.com, posting date Aug. 8, 2016, [online], [site visited Jul. 20, 2017]. Available from Internet, <URL: <https://www.amazon.com/SpeckProductsPresidioPhoneiPhone/dp/B01JRU57Y2>>.

Yang et al., U.S. Appl. No. 29/706,324, filed Sep. 19, 2019, titled "Case for an Electronic Device".

Del Moral et al., U.S. Appl. No. 16/241,363, filed Jan. 7, 2019, titled "Wallet for Mobile Electronic Device or Mobile Electronic Device Case".

Del Moral et al., U.S. Appl. No. 16/452,085, filed Jun. 25, 2019, titled "Wallet for Mobile Electronic Device or Mobile Electronic Device Case".

Del Moral et al., U.S. Appl. No. 29/696,081, filed Jun. 25, 2019, titled "Wallet for Mobile Device or Mobile Device Case".

* cited by examiner

Fig. 1

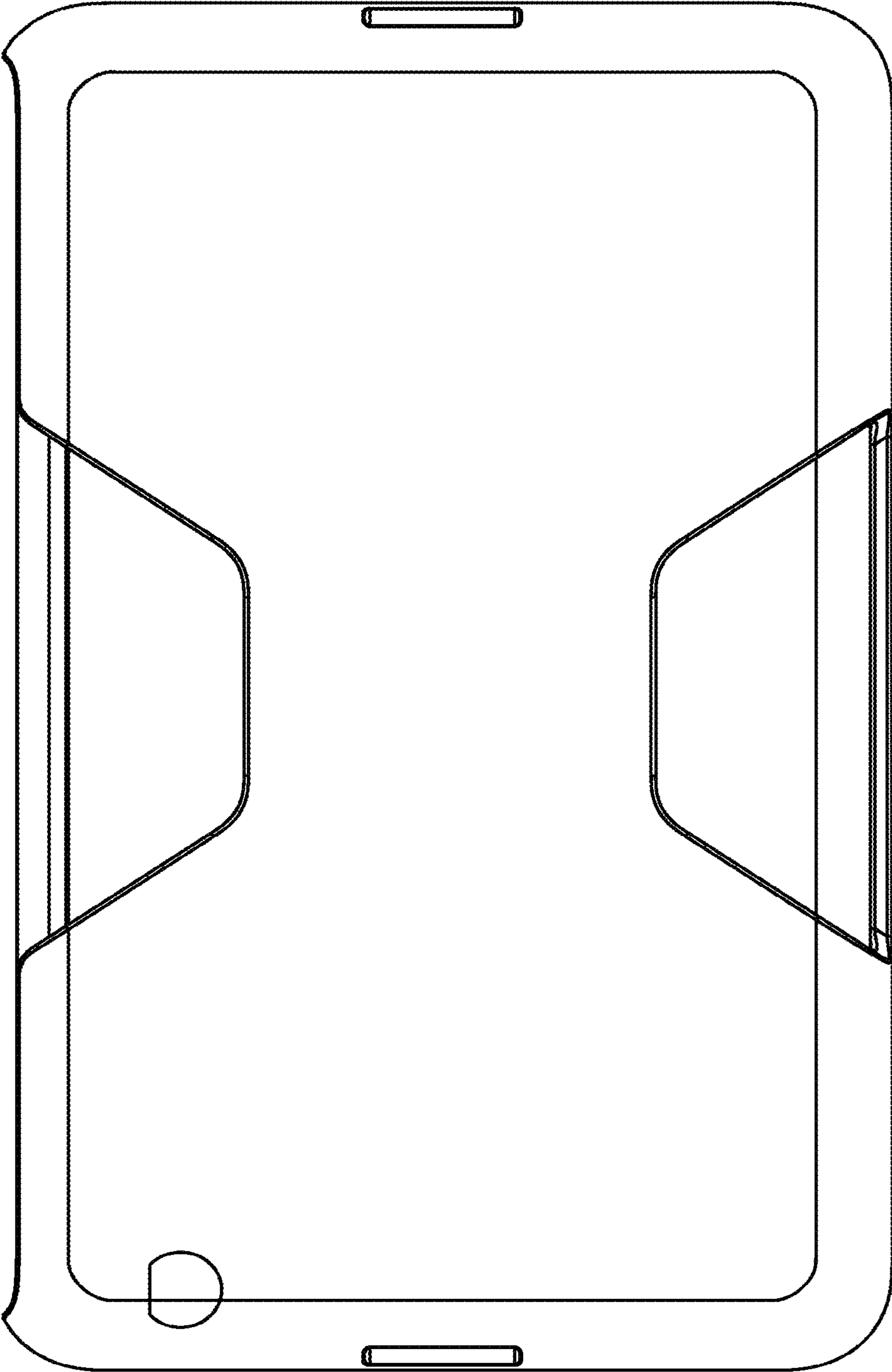


Fig. 2

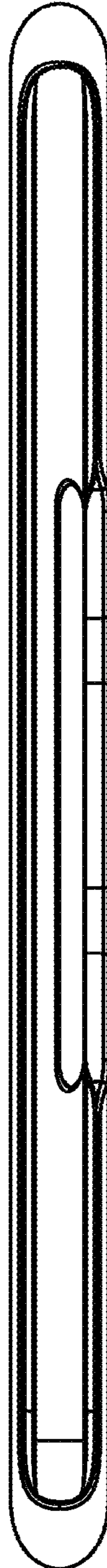


Fig. 3

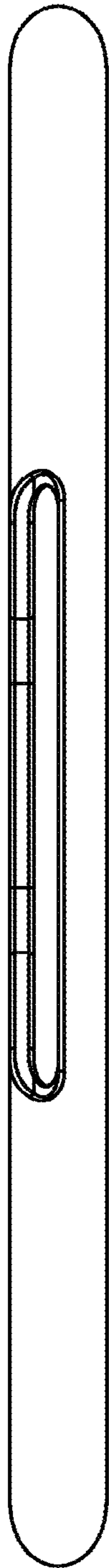


Fig. 4

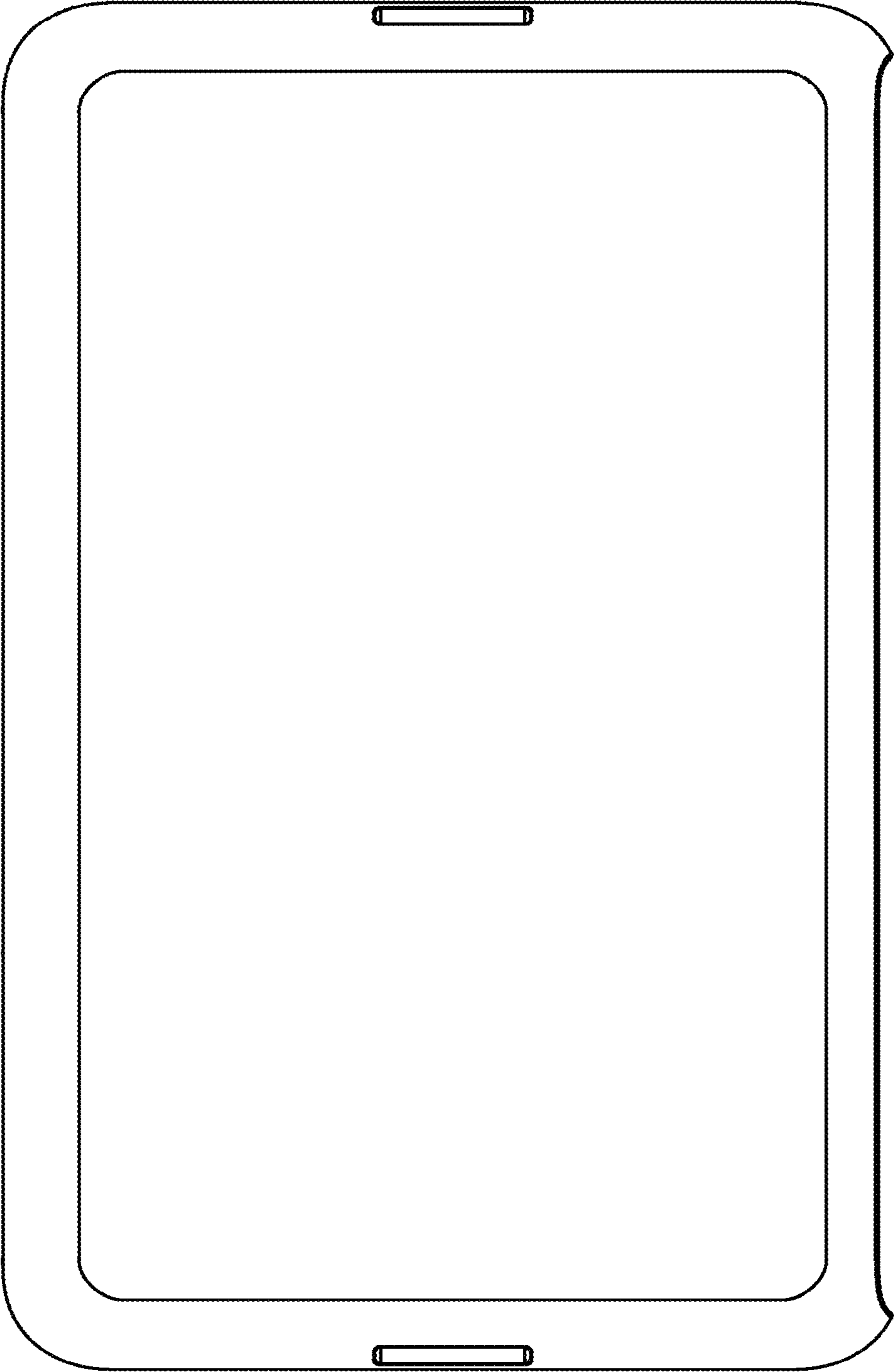


Fig. 5



Fig. 6



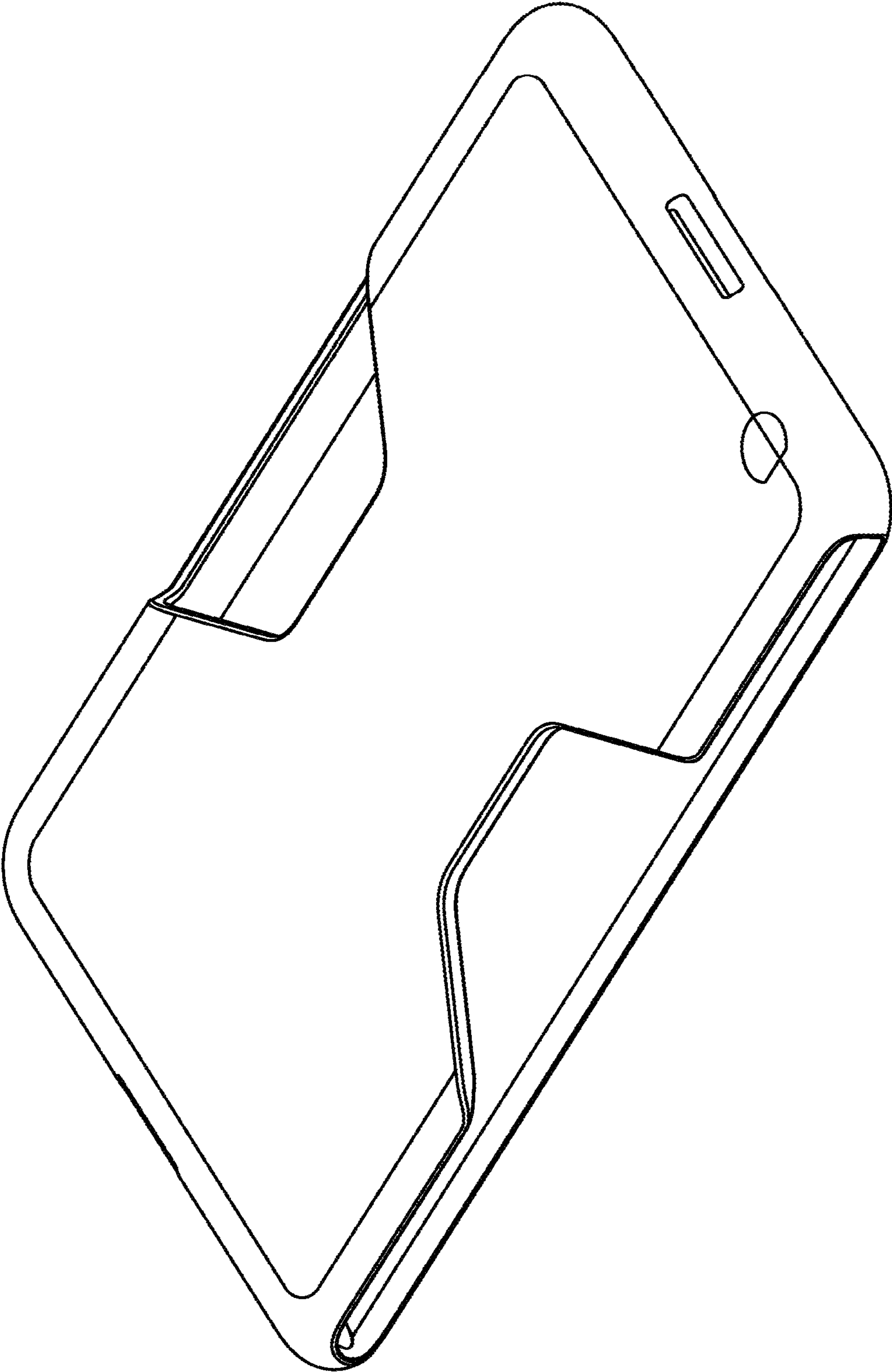


Fig. 7

Fig. 8

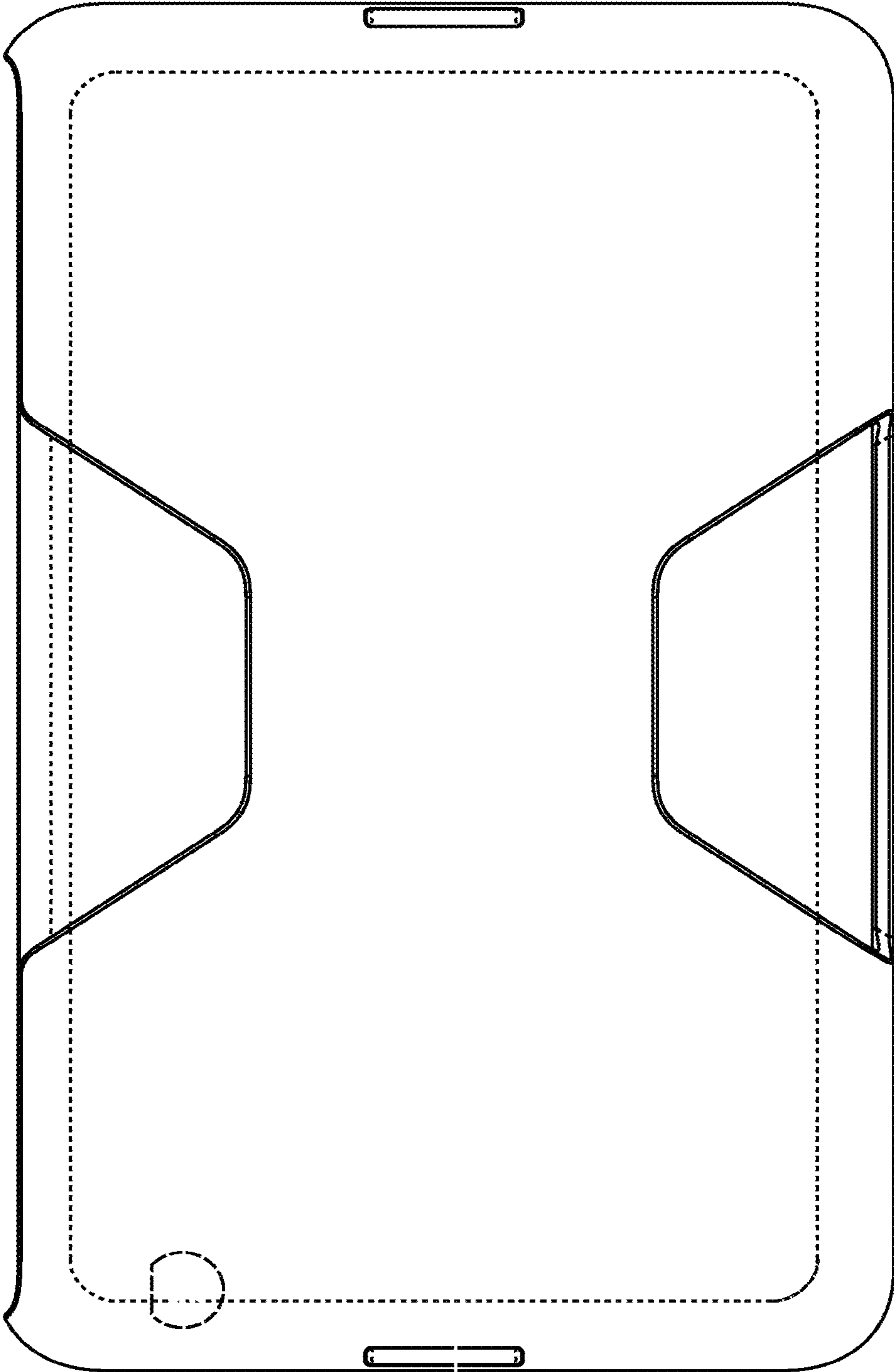


Fig. 9



Fig. 10

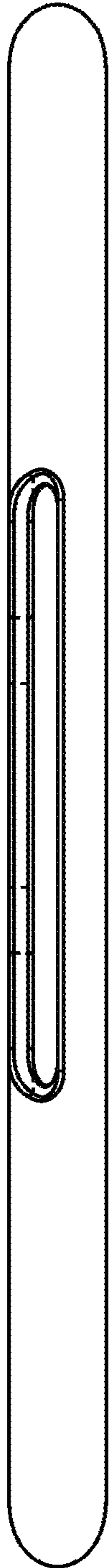


Fig. 11

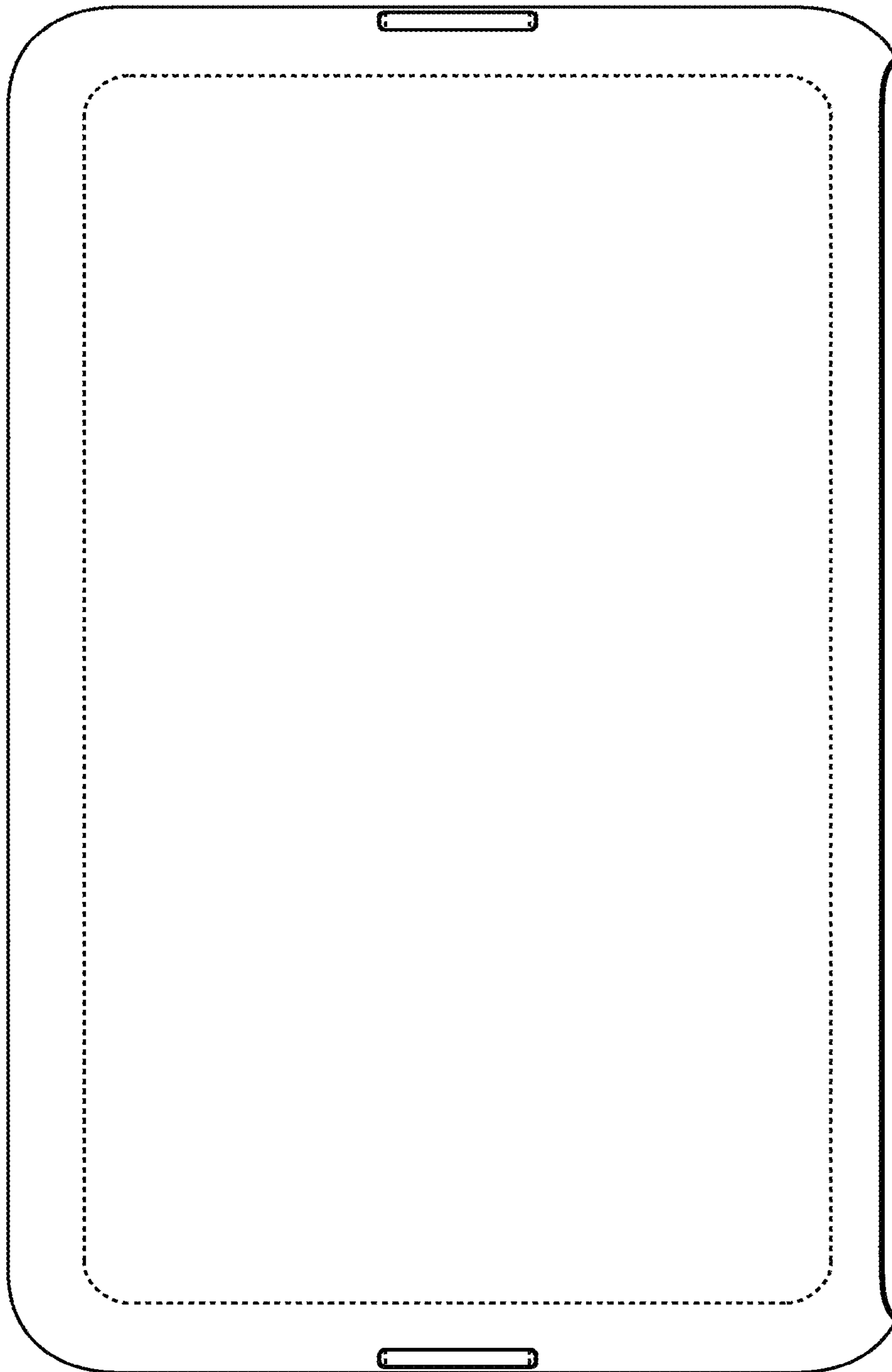


Fig. 12



Fig. 13



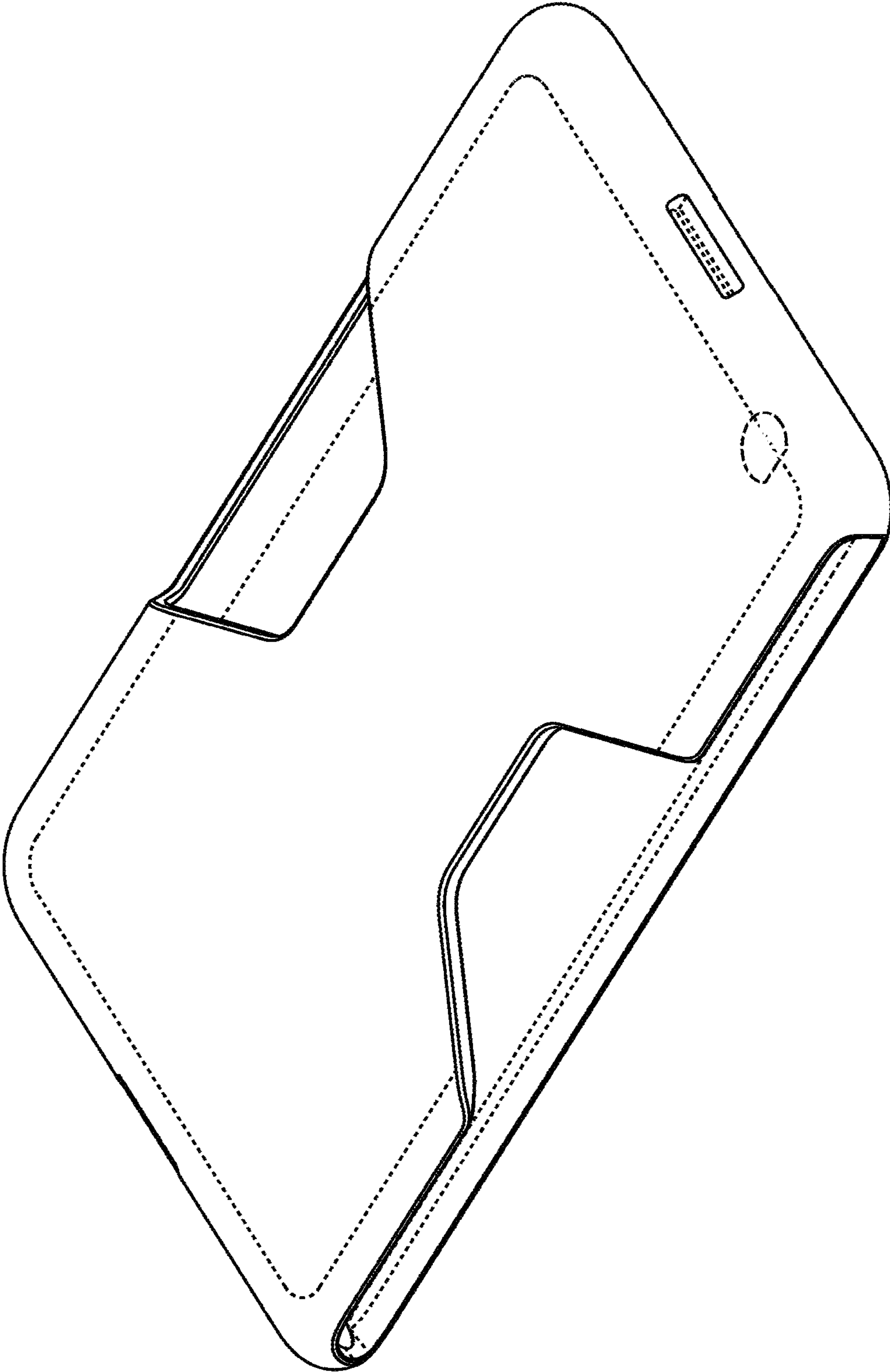


Fig. 14