



US00D976581S

(12) **United States Design Patent**
Gensicke

(10) **Patent No.:** **US D976,581 S**
(45) **Date of Patent:** **** Jan. 31, 2023**

(54) **WALLET**

FOREIGN PATENT DOCUMENTS

(71) Applicant: **Tobias Gensicke**, Berlin (DE)

DE 402019200474-0001 4/2019
DE 402019200474-0002 4/2019

(72) Inventor: **Tobias Gensicke**, Berlin (DE)

(Continued)

(**) Term: **15 Years**

OTHER PUBLICATIONS

(21) Appl. No.: **29/714,411**

“Flaplet I: Magic Wallet”, gento-shop.com, site visited Aug. 3, 2021: <https://www.gento-shop.com/collections/magic-wallets/products/flaplet-i> (Year: 2021).*

(22) Filed: **Nov. 22, 2019**

(30) **Foreign Application Priority Data**

May 23, 2019 (EM) 006505194-0003
Oct. 20, 2019 (EM) 007066253-0005

Primary Examiner — Jennifer L Watkins

Assistant Examiner — Samantha Lynne Brodowski

(74) *Attorney, Agent, or Firm* — Saidman DesignLaw Group, LLC

(51) **LOC (14) Cl.** **03-01**

(52) **U.S. Cl.**
USPC **D3/247**

(57) **CLAIM**

(58) **Field of Classification Search**
USPC D3/47, 249–250, 253, 300, 303, 247;
D14/250–253; D19/3
CPC A45C 11/182; A45C 1/06; B42D 15/045;
B65D 27/00

The ornamental design for a wallet, as shown and described.

See application file for complete search history.

DESCRIPTION

(56) **References Cited**

U.S. PATENT DOCUMENTS

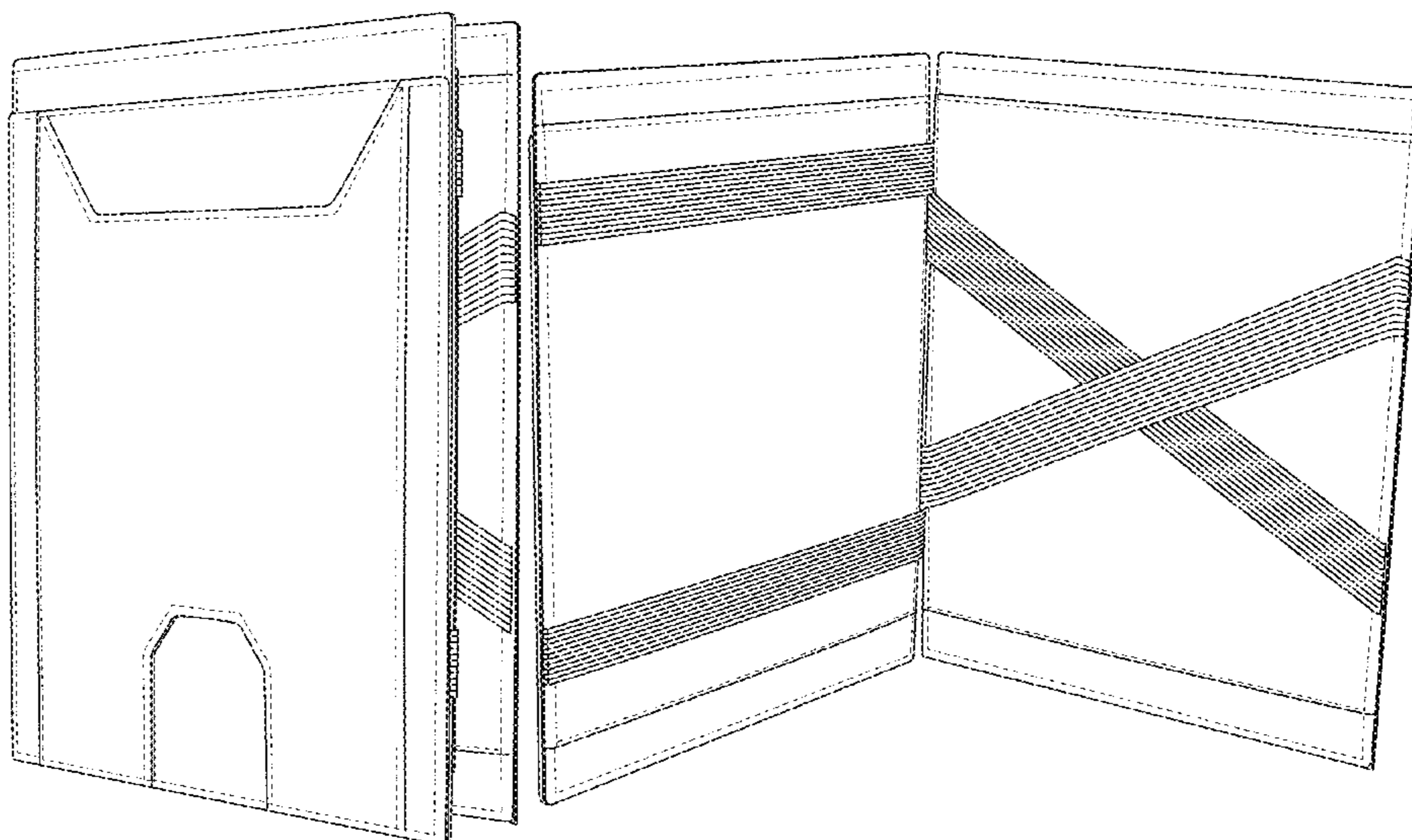
1,326,602 A * 12/1919 Griffith A45C 1/06
150/132
1,580,346 A * 4/1926 Sutter A45C 1/06
150/132
D175,071 S * 7/1955 Griffith D3/250
3,856,063 A * 12/1974 Dengel A45C 1/06
150/132
4,010,787 A * 3/1977 Traugott A45C 1/06
150/132
D331,483 S * 12/1992 Travis D3/250
D335,028 S * 4/1993 Berlin D3/250
D435,340 S * 12/2000 Kojoori D3/247
D492,483 S * 7/2004 Gildea D3/249
D593,749 S * 6/2009 Holzner D3/247

FIG. 1 is a perspective view of a wallet showing my new design in a partially folded position;
FIG. 2 is another perspective view thereof in a partially folded position;
FIG. 3 is another perspective view thereof in a partially folded position;
FIG. 4 is another perspective view thereof in a partially folded position;
FIG. 5 is a perspective view thereof in an unfolded position;
FIG. 6 is another perspective view thereof in a partially folded position; and,
FIG. 7 is another perspective view thereof in an unfolded position.

The dashed lines illustrate stitching and form part of the claimed design.

(Continued)

1 Claim, 7 Drawing Sheets



(56)

References Cited

U.S. PATENT DOCUMENTS

| | | | | |
|--------------|---------|-----------|-------|--------|
| D600,011 S * | 9/2009 | Munroe | | D3/247 |
| D608,092 S * | 1/2010 | Holzner | | D3/247 |
| D619,806 S * | 7/2010 | Franks | | D3/247 |
| D694,008 S * | 11/2013 | Morszeck | | D3/247 |
| D730,047 S * | 5/2015 | Yi | | D3/247 |
| D772,567 S * | 11/2016 | Tappeiner | | D3/247 |
| D828,023 S * | 9/2018 | Serman | | D3/247 |
| D828,025 S * | 9/2018 | Serman | | D3/247 |
| D836,335 S * | 12/2018 | Serman | | D3/247 |

FOREIGN PATENT DOCUMENTS

| | | |
|----|-------------------|---------|
| DE | 402019200474-0003 | 4/2019 |
| DE | 402019200474-0004 | 4/2019 |
| DE | 402019200474-0005 | 4/2019 |
| DE | 402019200474-0006 | 4/2019 |
| DE | 402019200474-0007 | 4/2019 |
| DE | 402019201259-0001 | 6/2019 |
| DE | 402019201259-0002 | 6/2019 |
| DE | 402019201284-0001 | 6/2019 |
| DE | 402019201284-0002 | 6/2019 |
| DE | 402019201284-0003 | 6/2019 |
| DE | 402019201284-0004 | 6/2019 |
| DE | 402019201284-0005 | 6/2019 |
| DE | 402019201284-0006 | 6/2019 |
| DE | 402019201284-0007 | 6/2019 |
| DE | 402019201284-0008 | 6/2019 |
| DE | 402019201284-0009 | 6/2019 |
| DE | 402019201284-0010 | 6/2019 |
| DE | 402019201517-0001 | 7/2019 |
| DE | 402019201517-0002 | 7/2019 |
| DE | 402019201517-0003 | 7/2019 |
| DE | 402019201517-0004 | 7/2019 |
| DE | 402019201517-0005 | 7/2019 |
| DE | 402019201517-0006 | 7/2019 |
| DE | 402019201517-0007 | 7/2019 |
| DE | 402019201517-0008 | 7/2019 |
| DE | 402019201517-0009 | 7/2019 |
| DE | 402019201517-0010 | 7/2019 |
| DE | 402019201709-0001 | 10/2019 |
| DE | 402019201709-0004 | 10/2019 |
| DE | 402019201709-0005 | 10/2019 |
| DE | 402019201709-0006 | 10/2019 |
| DE | 402019202428-0001 | 10/2019 |
| DE | 402019202428-0002 | 10/2019 |
| DE | 402019202428-0003 | 10/2019 |
| DE | 402019202428-0004 | 10/2019 |
| DE | 402019202428-0005 | 10/2019 |
| DE | 402019202428-0006 | 10/2019 |
| DE | 402019202428-0007 | 10/2019 |

| | | |
|----|-------------------|---------|
| DE | 402019202428-0008 | 10/2019 |
| DE | 402019202428-0009 | 10/2019 |
| DE | 402019202428-0010 | 10/2019 |
| DE | 402019202720-0001 | 11/2019 |
| DE | 402019202720-0002 | 11/2019 |
| DE | 402019202720-0003 | 11/2019 |
| DE | 402019202720-0004 | 11/2019 |
| DE | 402019202720-0005 | 11/2019 |
| DE | 402019202720-0006 | 11/2019 |
| DE | 402019202720-0007 | 11/2019 |
| DE | 402019202720-0008 | 11/2019 |
| DE | 402019202720-0009 | 11/2019 |
| DE | 402019202720-0010 | 11/2019 |
| DE | 402019202798-0001 | 11/2019 |
| DE | 402019202798-0002 | 11/2019 |
| DE | 402019202798-0003 | 11/2019 |
| DE | 402019202798-0004 | 11/2019 |
| DE | 402019202798-0005 | 11/2019 |
| DE | 402019202798-0006 | 11/2019 |
| DE | 402019202798-0007 | 11/2019 |
| DE | 402019202798-0008 | 11/2019 |
| DE | 402019202798-0009 | 11/2019 |
| DE | 402019202798-0010 | 11/2019 |
| DE | 402019203110-0001 | 11/2019 |
| DE | 402019203110-0002 | 11/2019 |
| DE | 402019203110-0003 | 11/2019 |
| DE | 402019203110-0004 | 11/2019 |
| DE | 402019203110-0005 | 11/2019 |
| DE | 402019203110-0006 | 11/2019 |
| DE | 402019203359-0001 | 12/2019 |
| DE | 402019203359-0002 | 12/2019 |
| DE | 402019203359-0003 | 12/2019 |
| DE | 402019203359-0004 | 12/2019 |
| DE | 402019203359-0005 | 12/2019 |
| DE | 402019203359-0006 | 12/2019 |
| DE | 402019203359-0007 | 12/2019 |
| DE | 402019203359-0008 | 12/2019 |
| DE | 402019203359-0009 | 12/2019 |
| DE | 402019203359-0010 | 12/2019 |
| EM | 006505194-0001 | 5/2019 |
| EM | 006505194-0002 | 5/2019 |
| EM | 006505194-0003 | 5/2019 |
| EM | 006505194-0004 | 5/2019 |
| EM | 006719324-0001 | 8/2019 |
| EM | 006719324-0002 | 8/2019 |
| EM | 006785440-0001 | 8/2019 |
| EM | 006785440-0002 | 8/2019 |
| EM | 007066253-0001 | 10/2019 |
| EM | 007066253-0002 | 10/2019 |
| EM | 007066253-0003 | 10/2019 |
| EM | 007066253-0004 | 10/2019 |
| EM | 007066253-0005 | 10/2019 |

* cited by examiner

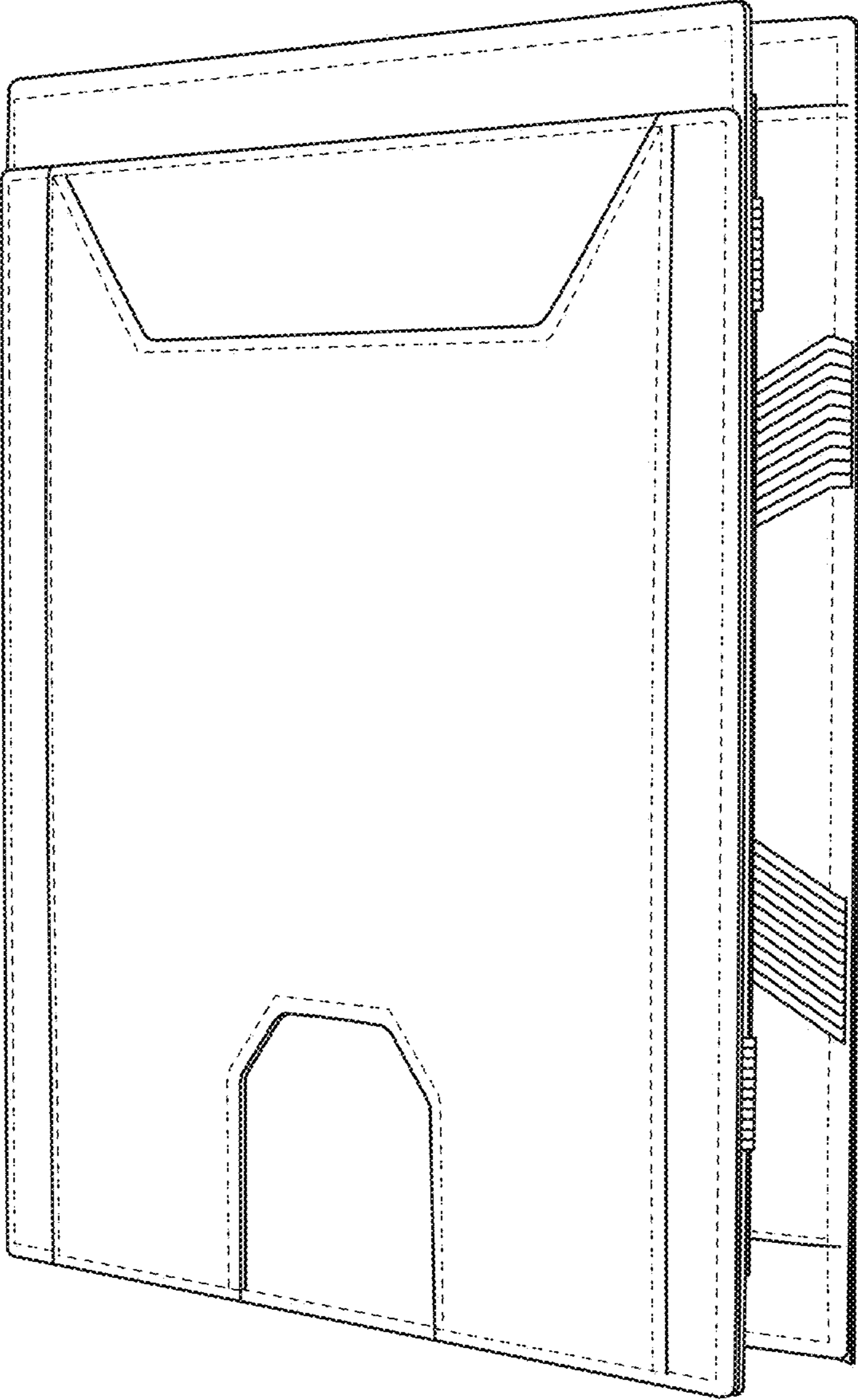


FIG. 1

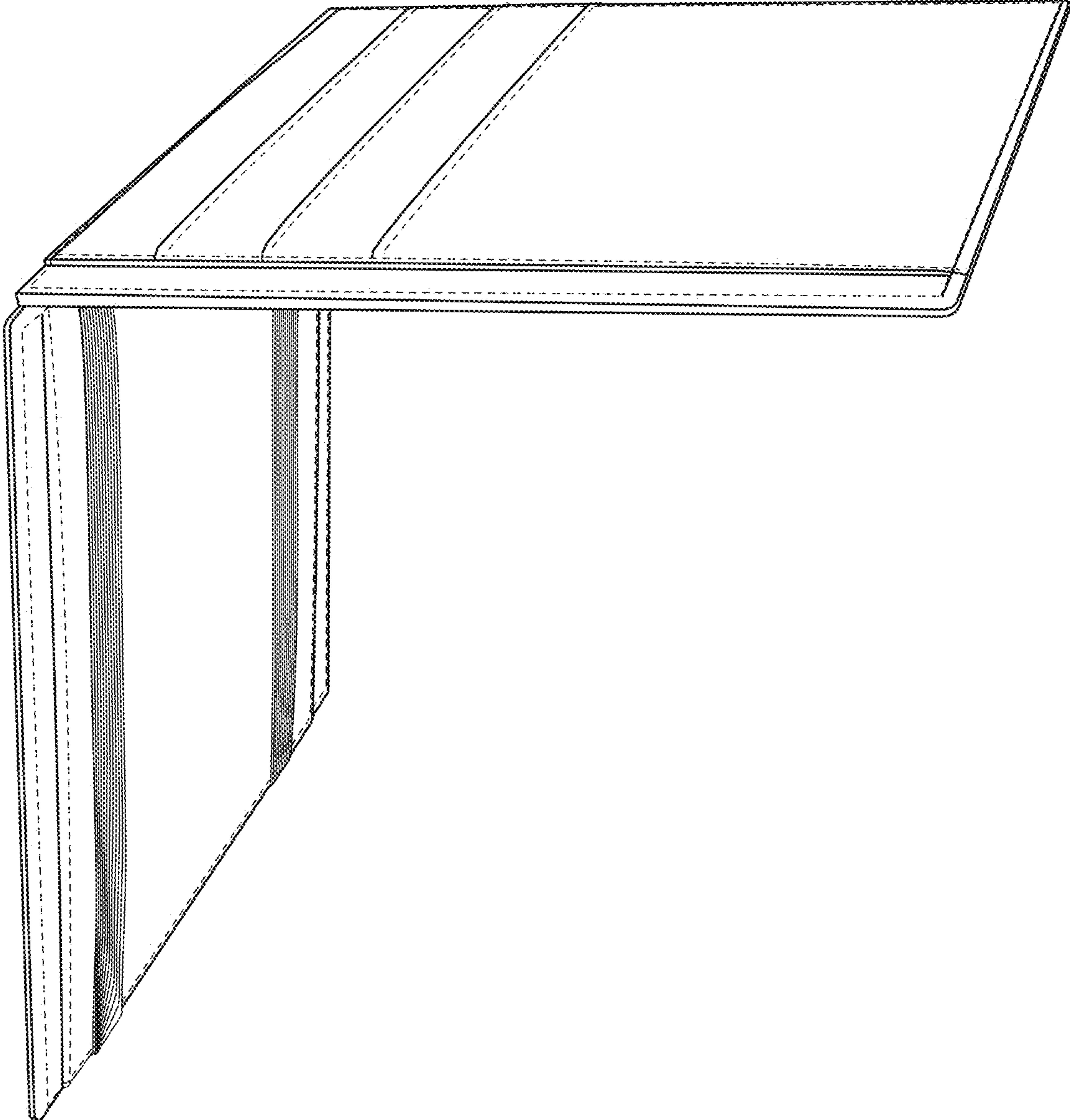


FIG. 2

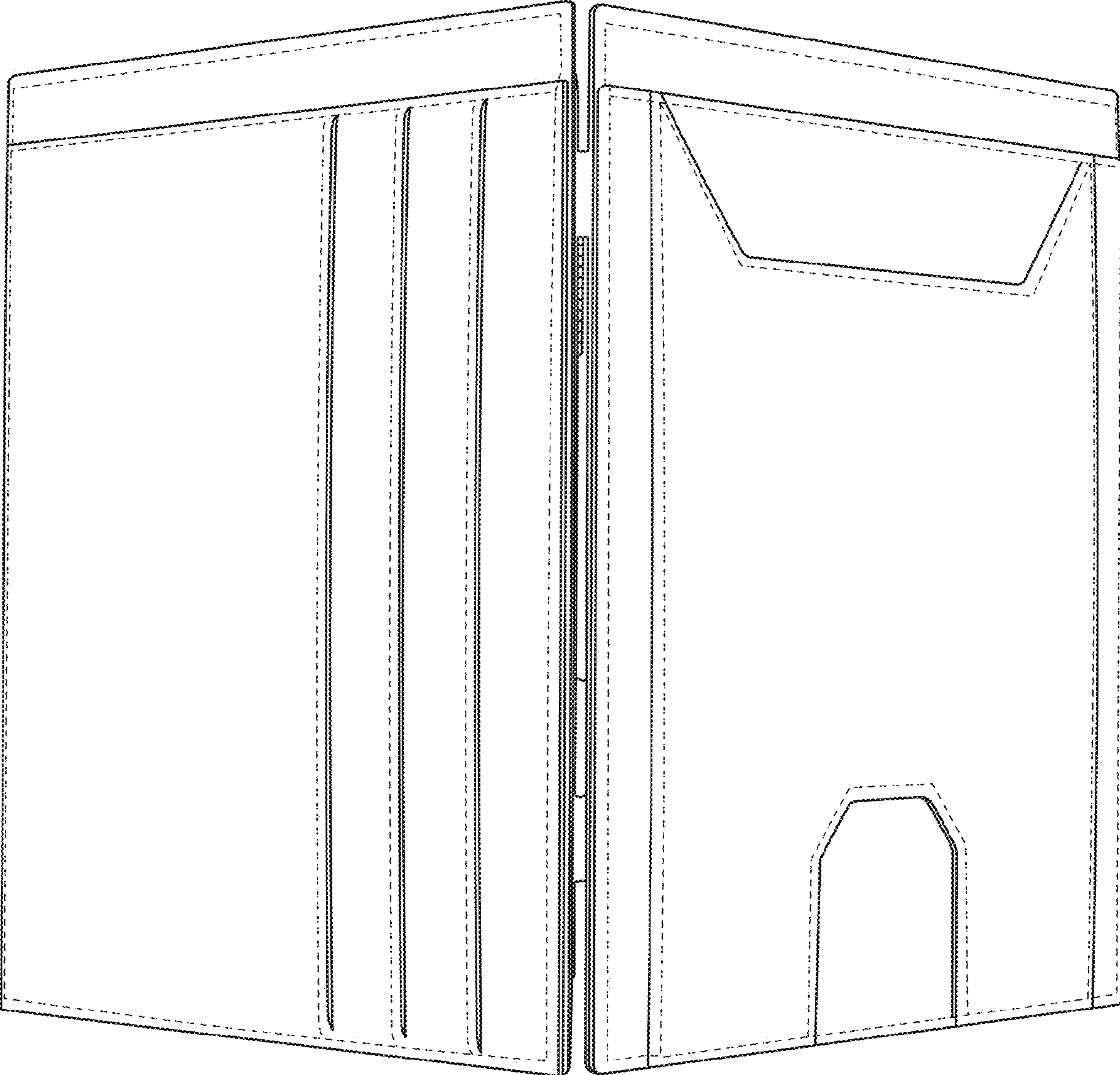


FIG. 3

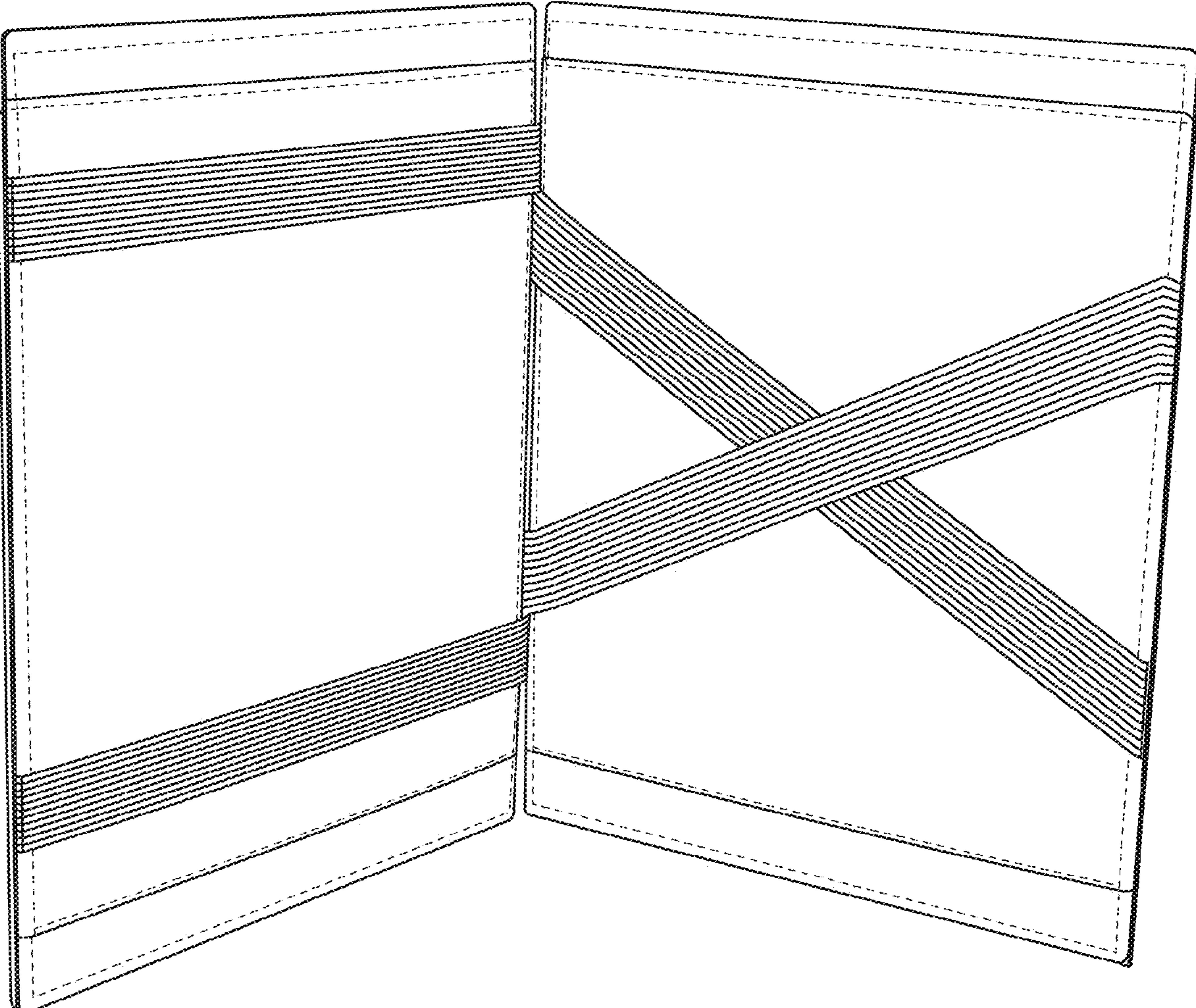


FIG. 4

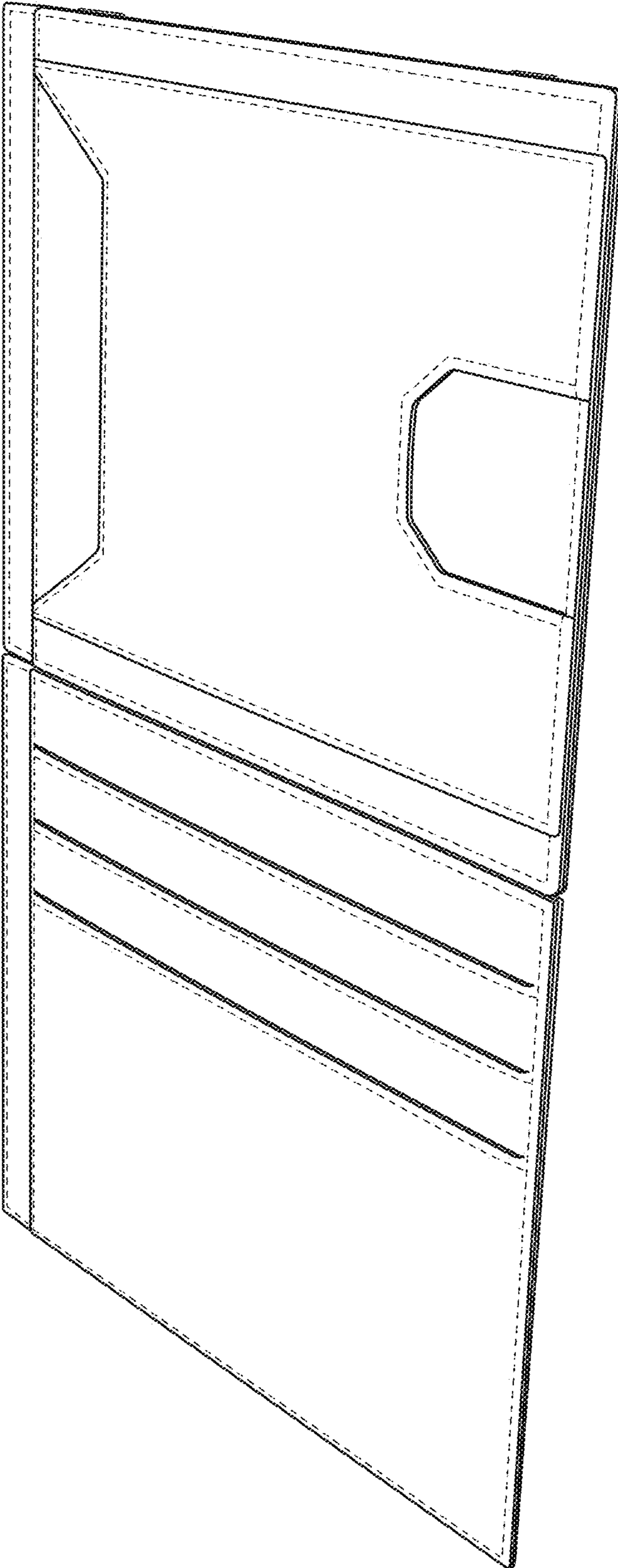


FIG. 5

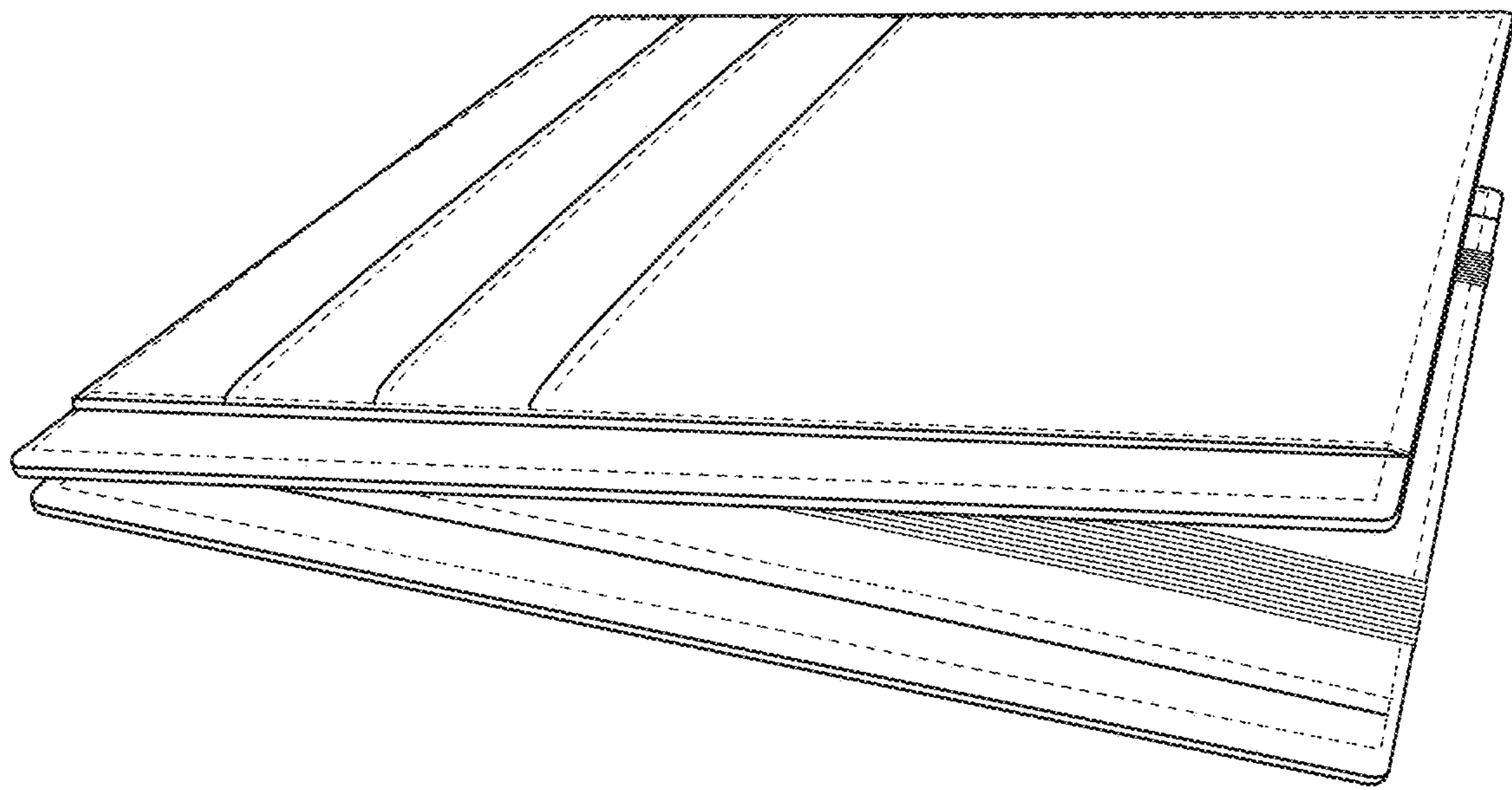


FIG. 6

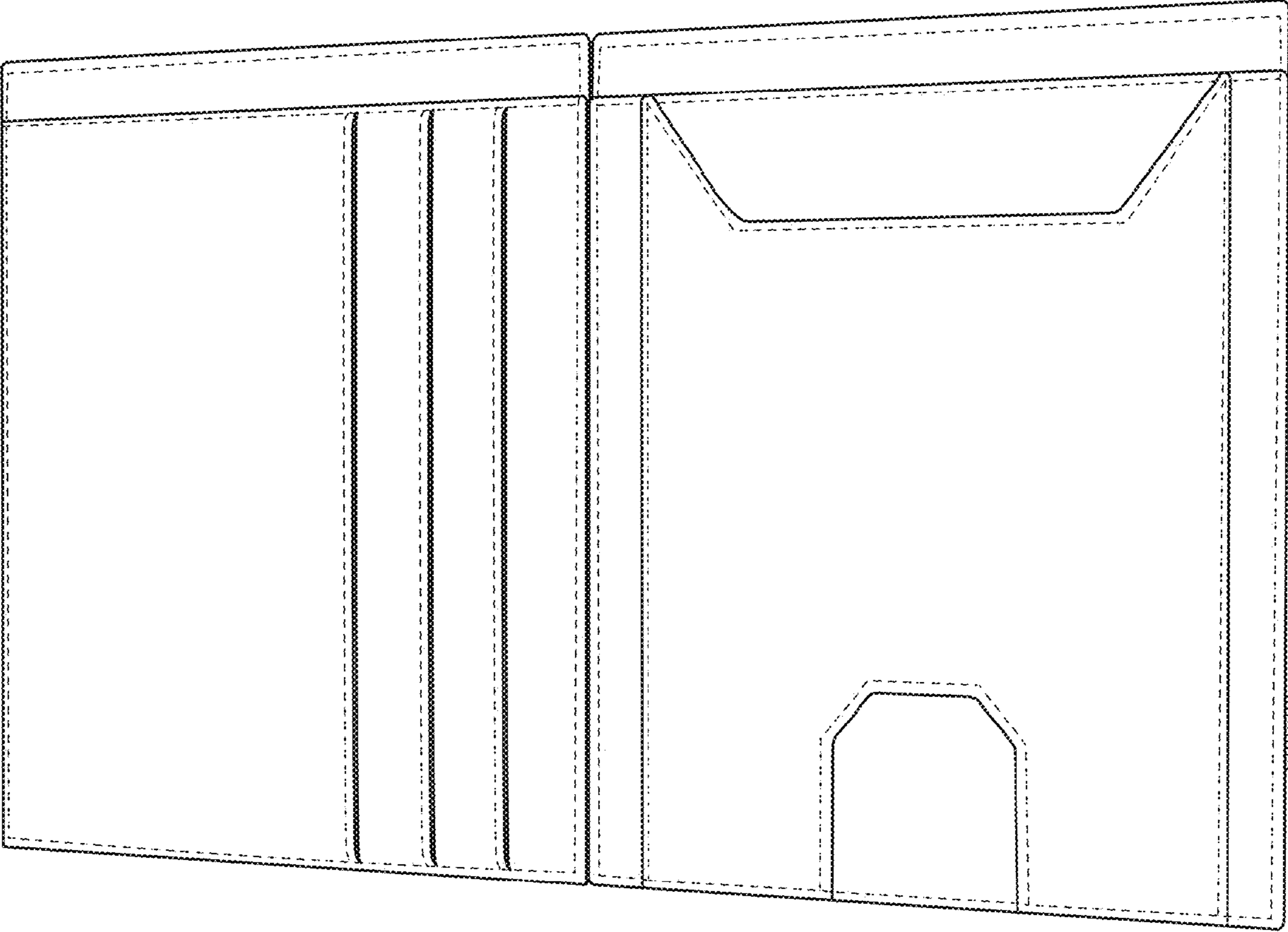


FIG. 7