



US00D976579S

(12) **United States Design Patent**
Abel

(10) **Patent No.:** **US D976,579 S**
(45) **Date of Patent:** **** Jan. 31, 2023**

- (54) **HANDBAG**
- (71) Applicant: **LOUIS VUITTON MALLETIER**,
Paris (FR)
- (72) Inventor: **Antoine Abel**, Paris (FR)
- (73) Assignee: **LOUIS VUITTON MALLETIER**,
Paris (FR)
- (**) Term: **15 Years**
- (21) Appl. No.: **29/748,814**
- (22) Filed: **Sep. 1, 2020**
- (51) **LOC (14) Cl.** **03-01**
- (52) **U.S. Cl.**
USPC **D3/226**
- (58) **Field of Classification Search**
USPC D3/215, 226-233, 243, 247, 249, 273,
D3/276, 289-290, 293, 299, 301, 303,
D3/902
CPC . A45C 1/04; A45C 13/021; A45F 3/00; A45F
3/005; A45F 3/14; A45F 5/00; A45F
5/02; A45F 5/021; A45F 4/02; A61F
5/028
See application file for complete search history.

D484,307 S *	12/2003	Willows	D3/226
D490,238 S *	5/2004	Bristel	D3/226
D624,308 S *	9/2010	Crifasi	D3/226
D793,720 S *	8/2017	Tien	D3/226
D872,460 S *	1/2020	Arikawa	D3/226
D882,248 S *	4/2020	Dumas	D3/226
D912,397 S *	3/2021	Rui	D3/221
D928,506 S *	8/2021	Sandoval	D3/226

OTHER PUBLICATIONS

Louis Vuitton Sling Bag M57081 Review, video by user Vivian Chen, posted Jun. 12, 2021, youtube.com [online], [site visited Jun. 10, 2022], Available at URL: <https://www.youtube.com/watch?v=9KqywDif-Mg> (Year: 2021).*

* cited by examiner

Primary Examiner — Michelle E. Wilson
Assistant Examiner — Caitlin A Laverty
(74) *Attorney, Agent, or Firm* — Fross, Zelnick, Lehrman & Zissu PC; Charles T. J. Weigell, Esq.

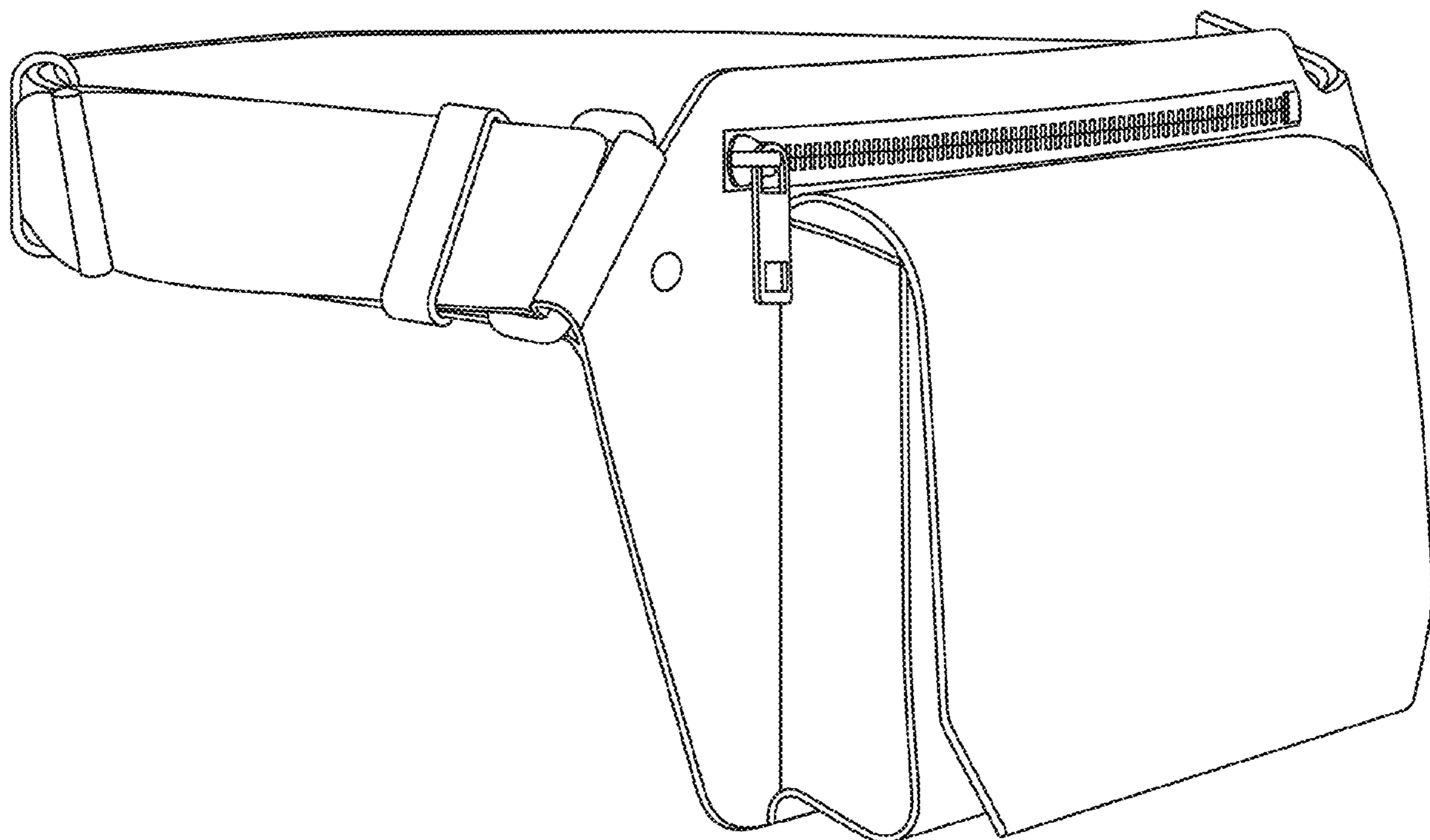
(57) **CLAIM**
The ornamental design for a handbag, as shown and described.

DESCRIPTION

FIG. 1 is a front perspective view of a handbag showing my new design;
FIG. 2 is a front view thereof;
FIG. 3 is a back view thereof;
FIG. 4 is a right side view thereof;
FIG. 5 is a left side view thereof;
FIG. 6 is a top view thereof; and,
FIG. 7 is a bottom view thereof.

1 Claim, 7 Drawing Sheets

- (56) **References Cited**
U.S. PATENT DOCUMENTS
D371,905 S * 7/1996 Kopel D3/226
D374,983 S * 10/1996 Brucki D3/226
D408,628 S * 4/1999 Fusco D3/226
D419,291 S * 1/2000 Pugh D3/226
D458,021 S * 6/2002 Willows D3/226



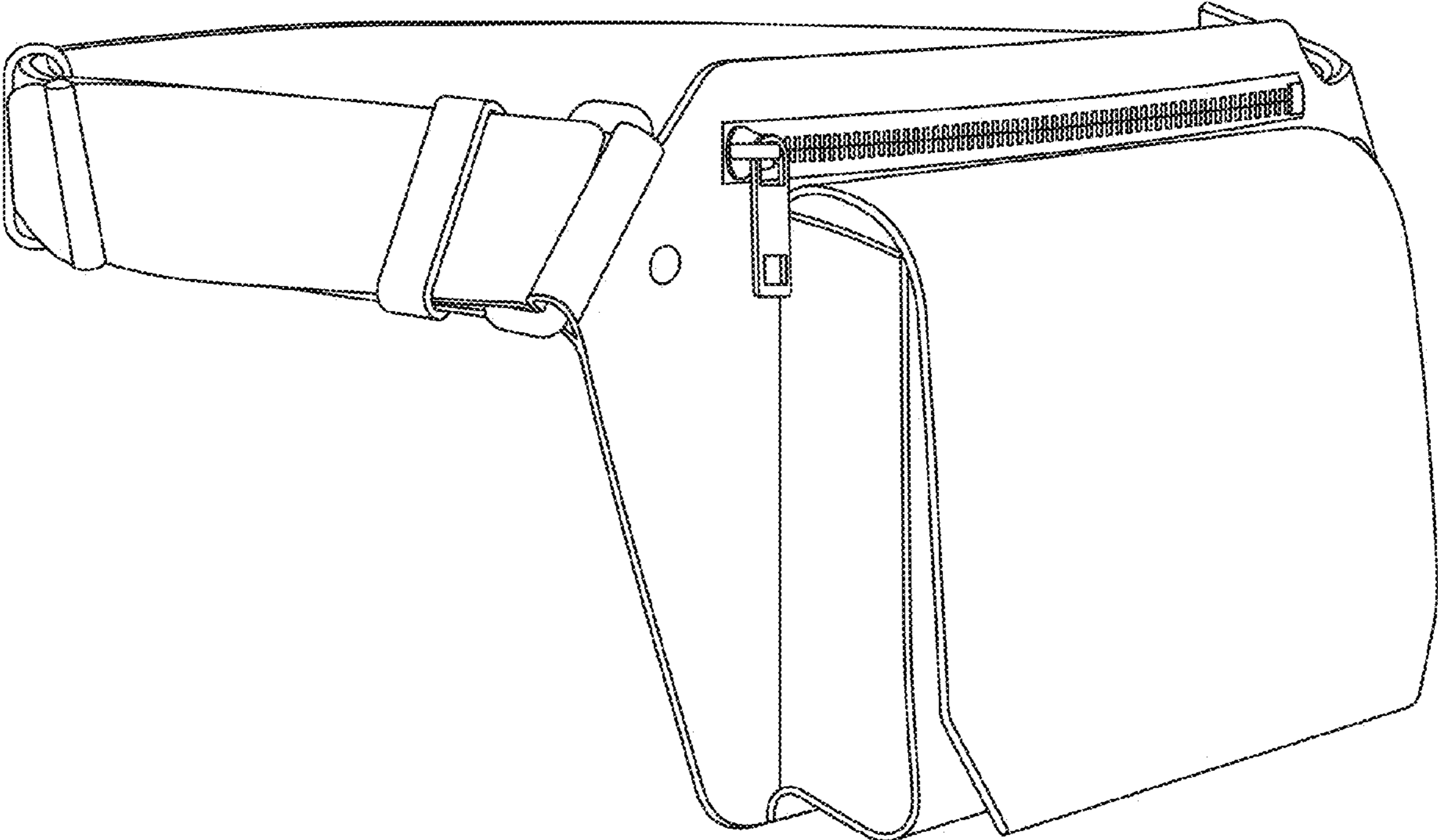


FIG. 1

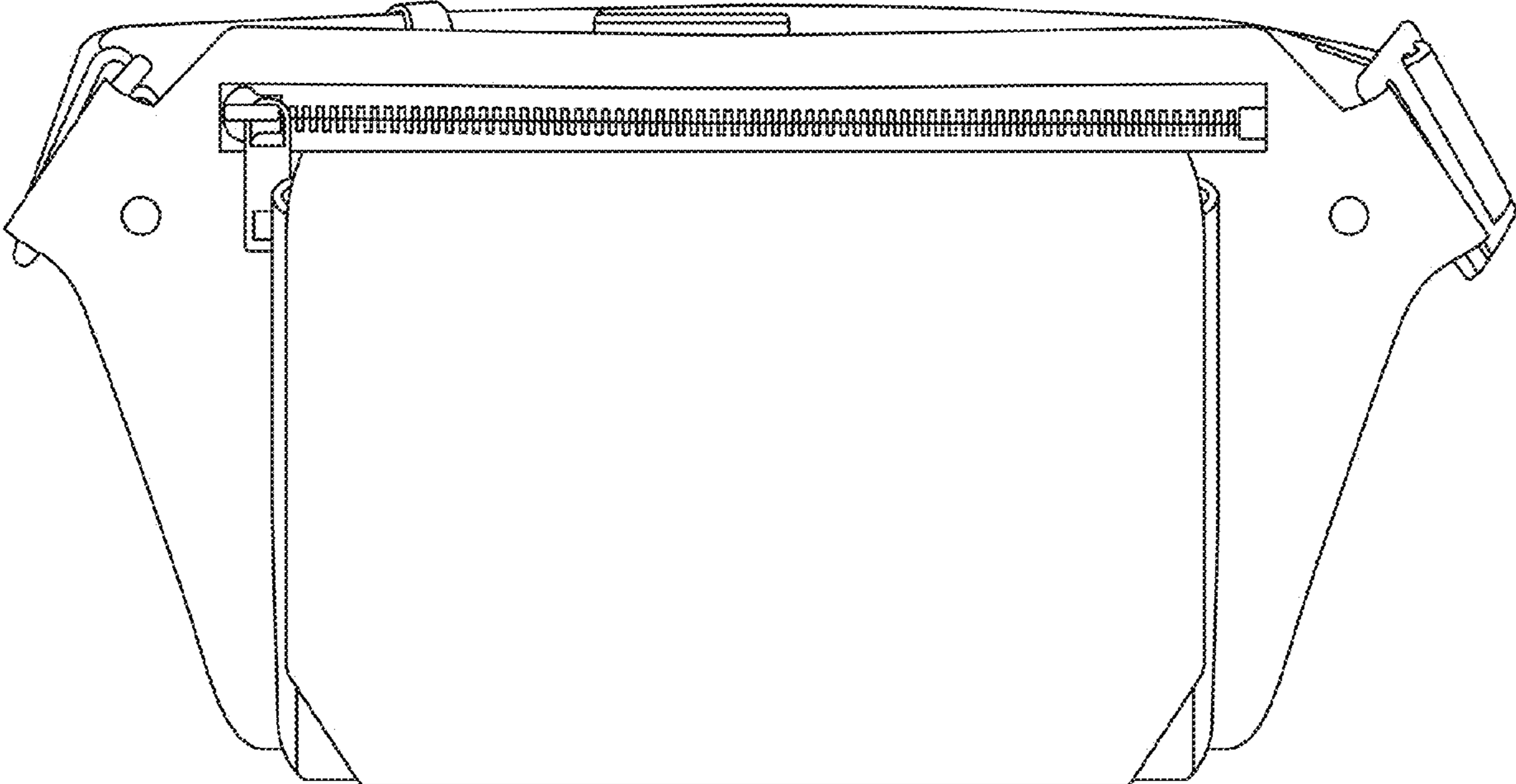


FIG. 2

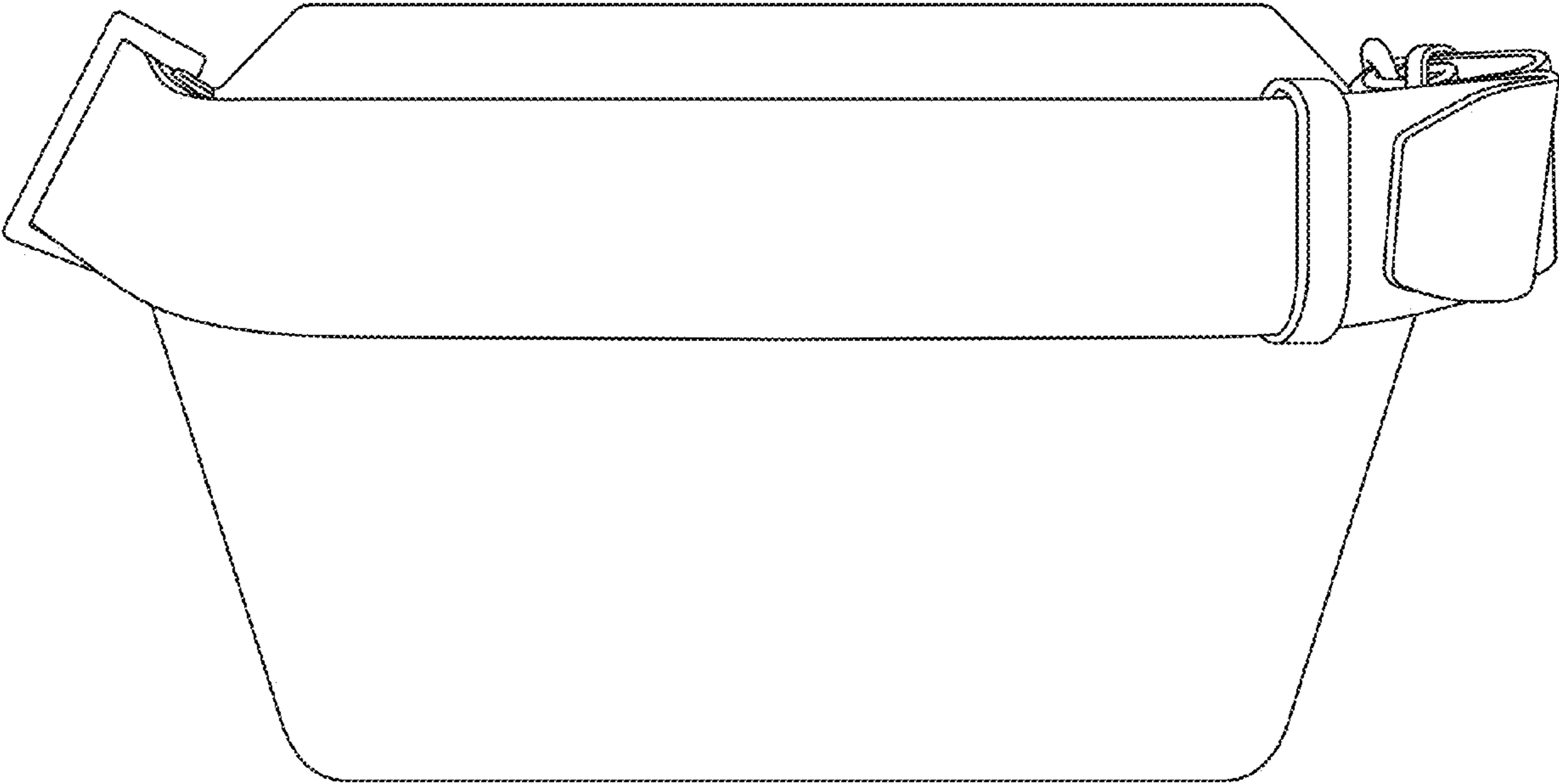


FIG. 3

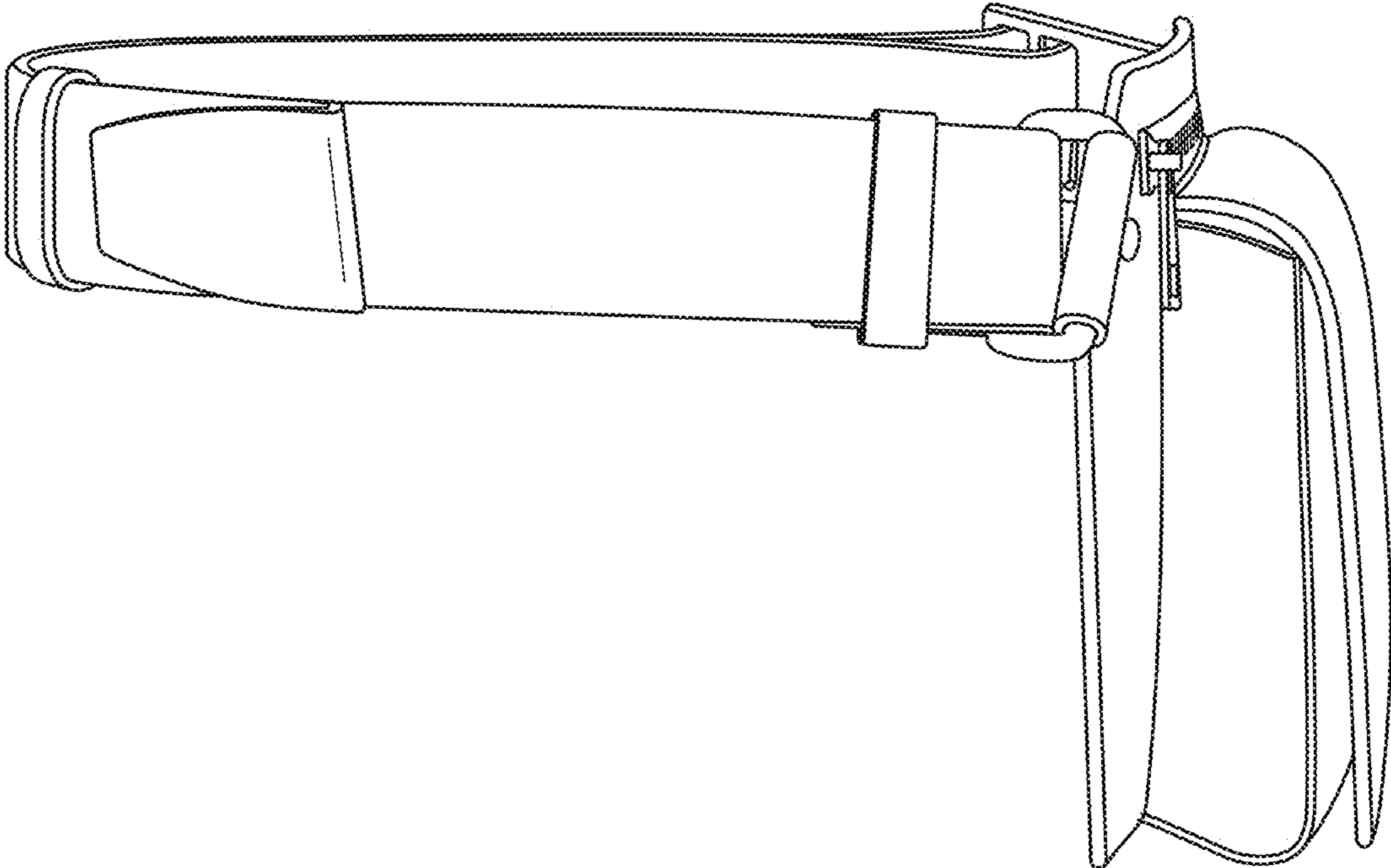


FIG. 4

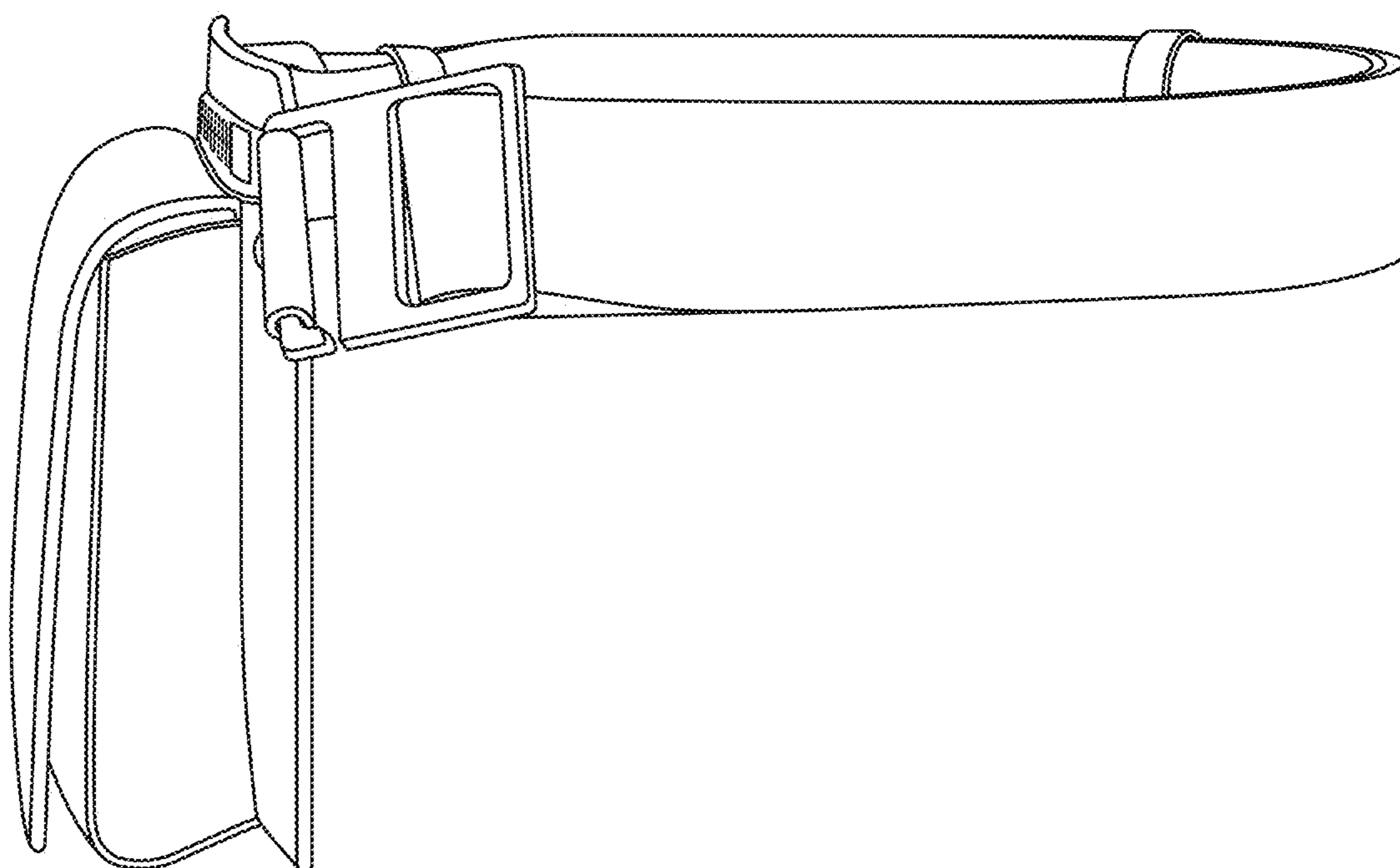


FIG. 5

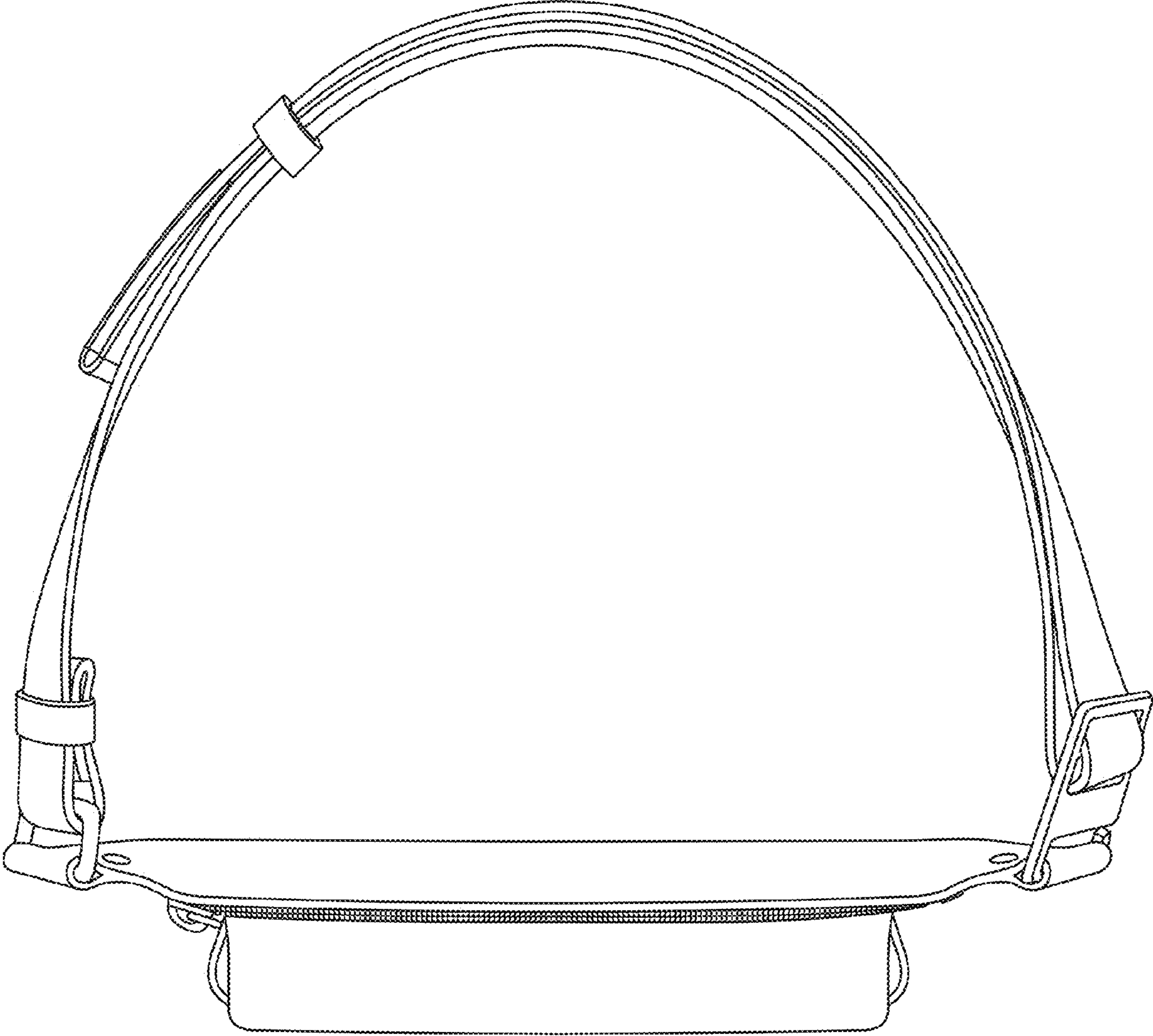


FIG. 6

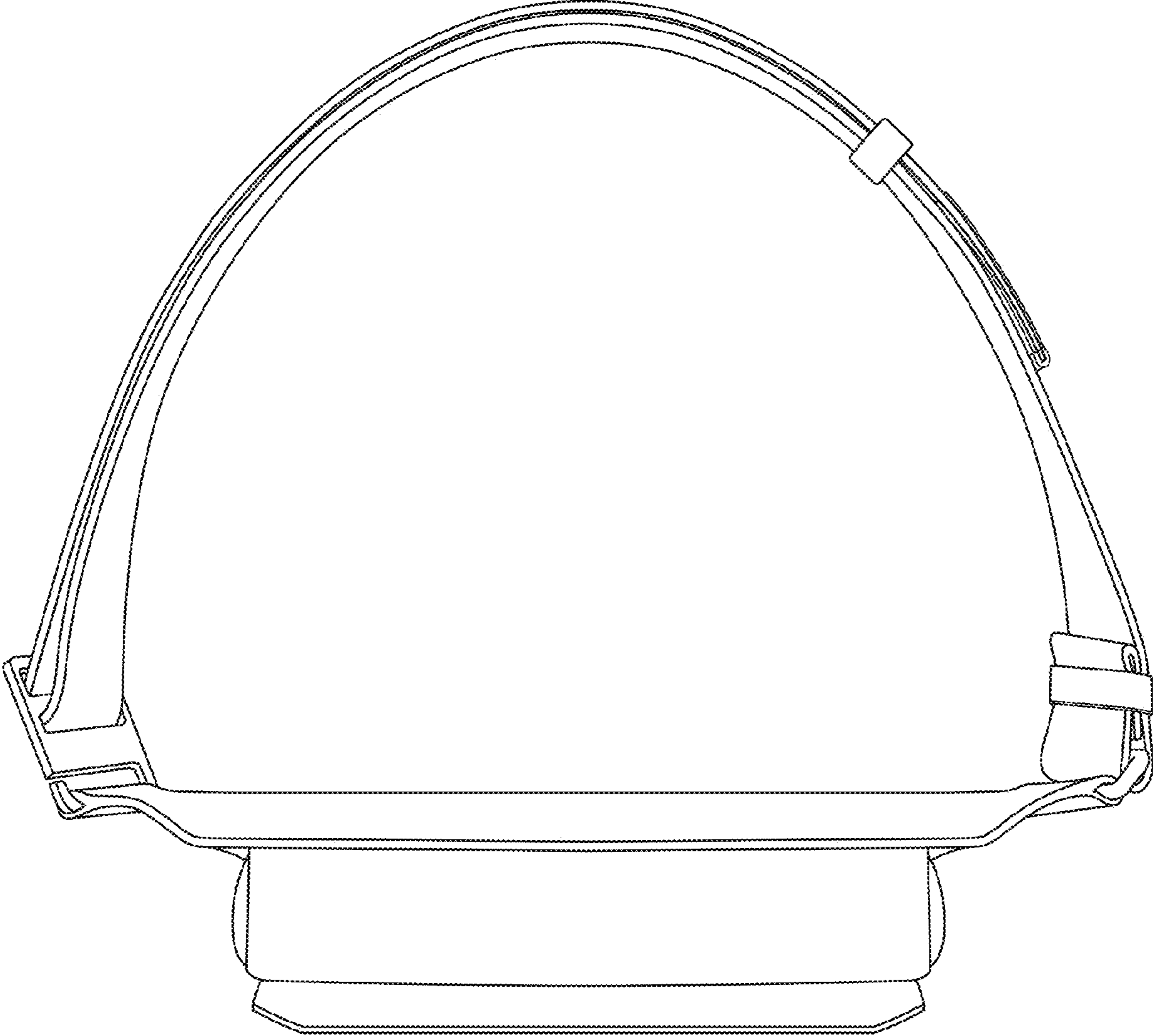


FIG. 7

UNITED STATES PATENT AND TRADEMARK OFFICE
CERTIFICATE OF CORRECTION

PATENT NO. : D976,579 S
APPLICATION NO. : 29/748814
DATED : January 31, 2023
INVENTOR(S) : Antoine Abel

Page 1 of 1

It is certified that error appears in the above-identified patent and that said Letters Patent is hereby corrected as shown below:

On the Title Page

Should read:

(30) Foreign Application Priority Data

March 4, 2020 (FR) 2020-1092

Signed and Sealed this
Fourteenth Day of March, 2023
Katherine Kelly Vidal

Katherine Kelly Vidal
Director of the United States Patent and Trademark Office