



US00D976577S

(12) **United States Design Patent**
Zheng

(10) **Patent No.:** **US D976,577 S**

(45) **Date of Patent:** **** Jan. 31, 2023**

(54) **EXPANDABLE HIKING DAYPACK**

(71) Applicant: **Xiujin Zheng**, Putian (CN)

(72) Inventor: **Xiujin Zheng**, Putian (CN)

(**) Term: **15 Years**

(21) Appl. No.: **29/813,996**

(22) Filed: **Nov. 2, 2021**

(51) **LOC (14) Cl.** **03-01**

(52) **U.S. Cl.**
USPC **D3/217**

(58) **Field of Classification Search**
USPC D3/216, 217; D9/704
See application file for complete search history.

(56) **References Cited**

U.S. PATENT DOCUMENTS

D426,951 S *	6/2000	Rohrbach	D3/217
D489,174 S *	5/2004	Shigenaka	D3/217
D650,576 S *	12/2011	Bertken	D3/217
D923,327 S	6/2021	Wen		
2008/0116026 A1 *	5/2008	Bass	A45C 7/0086 190/1

OTHER PUBLICATIONS

SEMSTY Hiking Backpack, Amazon date first available, May 13, 2021, Jul. 7, 2022, available at URL: <https://www.amazon.com/Waterproof-Backpack-Expandable-Capacity-Daypack/dp/>

B094VWJY6R/ref=sxin_14_pa_sp_search_thematic_ssapa?content-id=amzn1.sym.b245e49f-68a4-4489-b1f9-81f4034255f5%3Aamzn1.sym.b245e49f-68.*

* cited by examiner

Primary Examiner — Jennifer L Watkins

(74) *Attorney, Agent, or Firm* — Justin Lampel

(57) **CLAIM**

The ornamental design for an expandable hiking daypack, as shown and described.

DESCRIPTION

FIG. 1 is a perspective view of an expandable hiking daypack showing the claimed design;

FIG. 2 is a top plan view thereof;

FIG. 3 is a left side elevational view thereof;

FIG. 4 is a front side elevational view thereof;

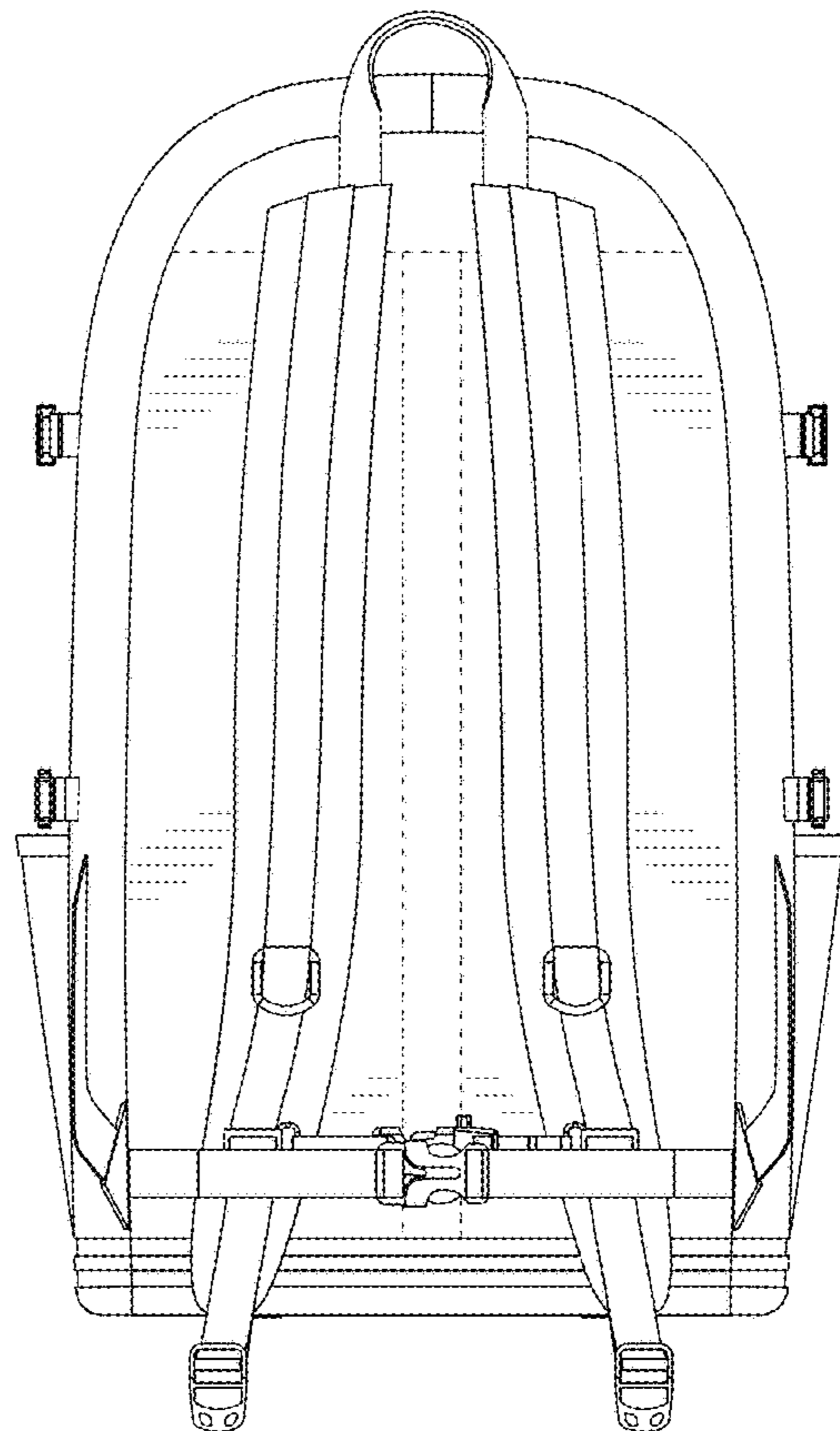
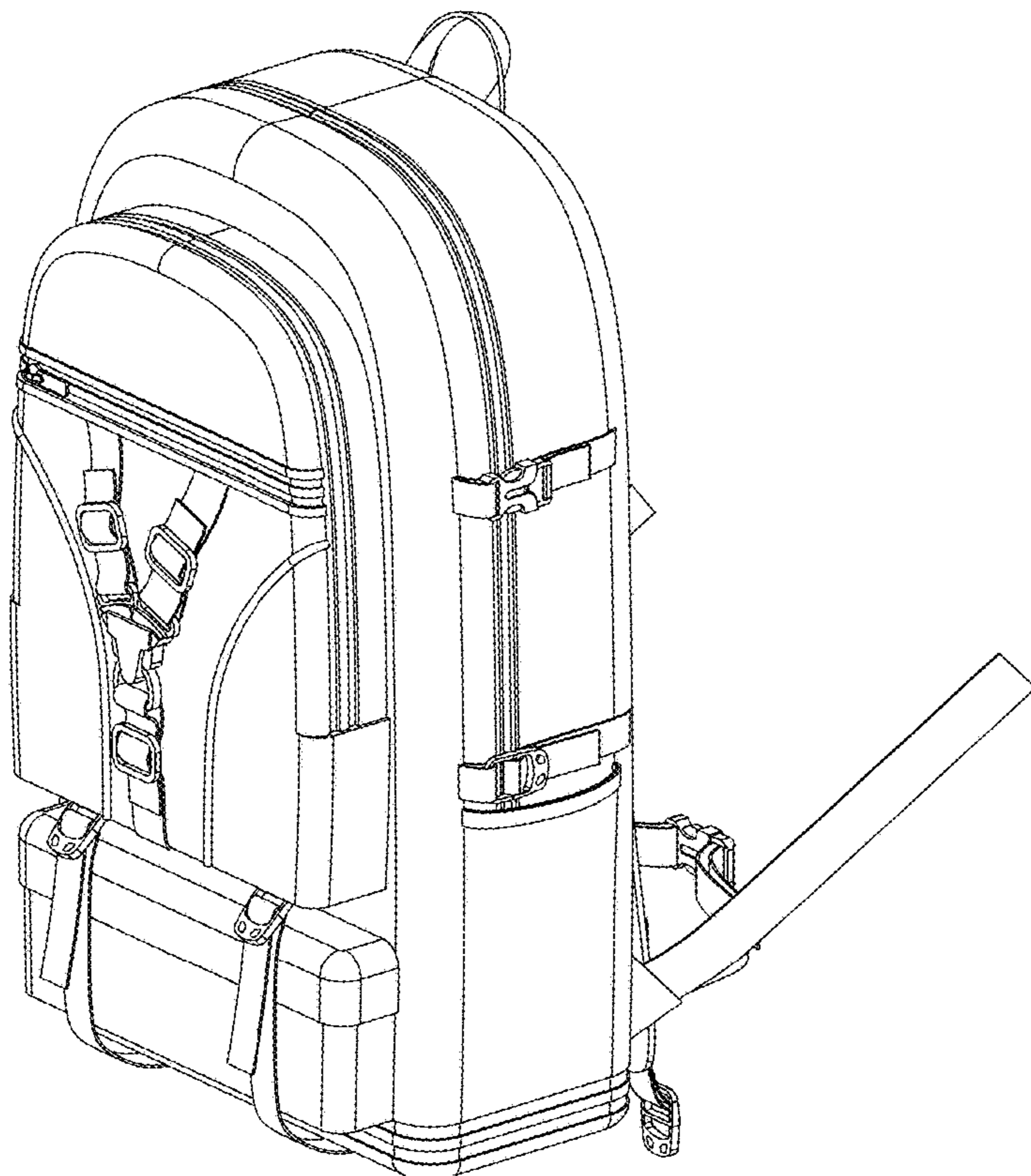
FIG. 5 is a right side elevational view thereof;

FIG. 6 is a back side elevational view thereof; and,

FIG. 7 is a bottom plan view thereof.

The broken lines depict portions of the article and form no part of the claim. The unshaded surfaces adjacent and inside of broken lines form no part of the claim.

1 Claim, 7 Drawing Sheets





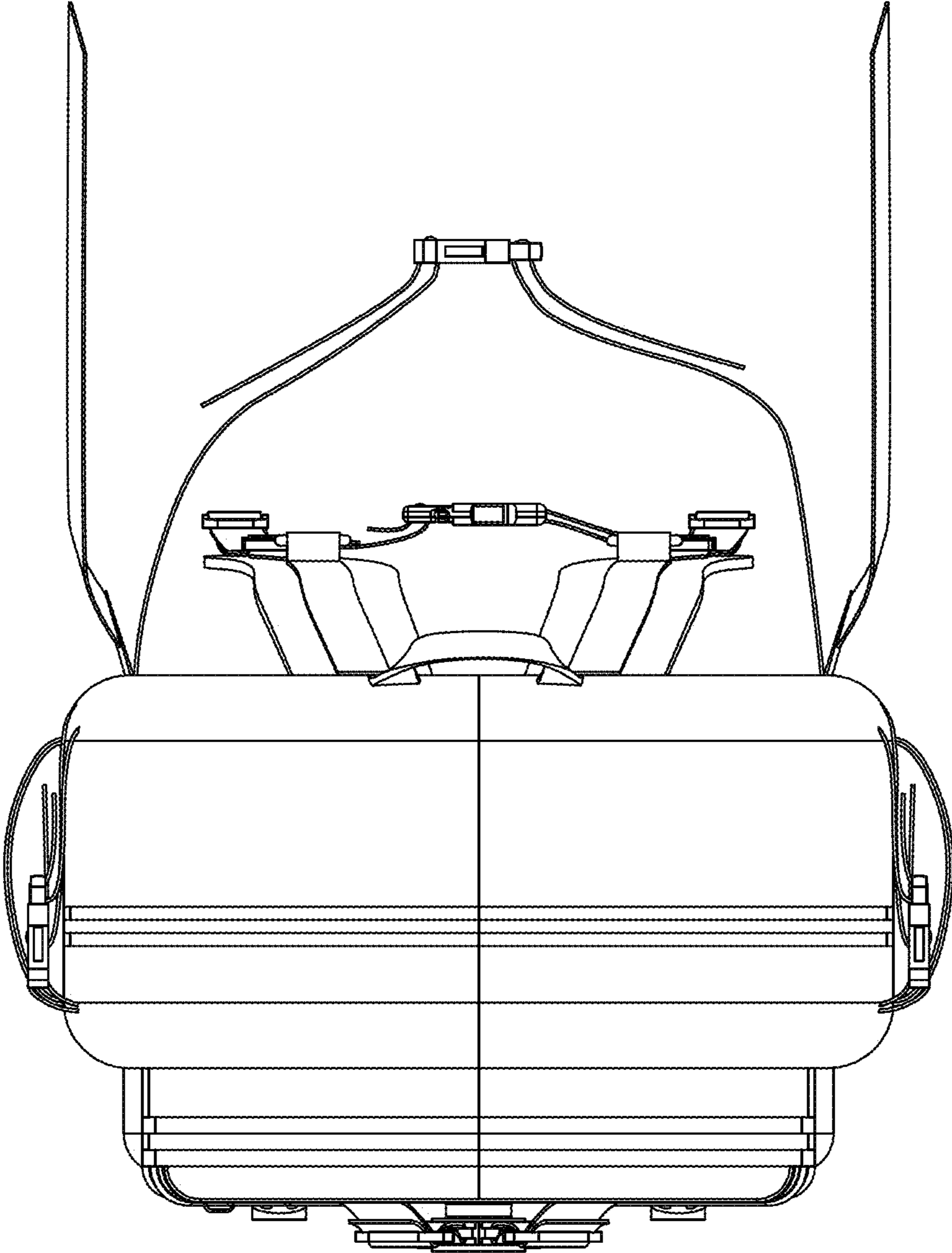


FIG.2

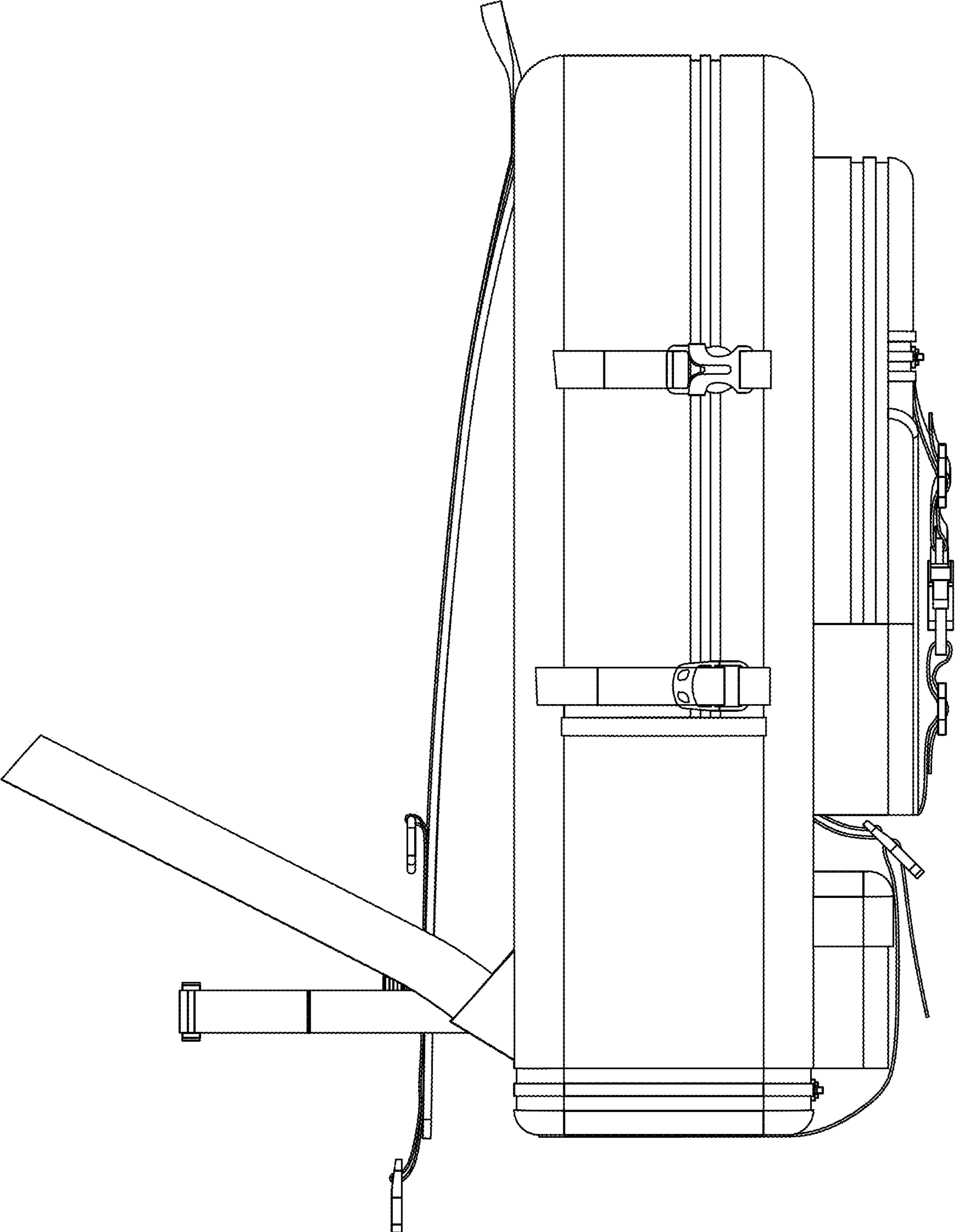


FIG.3

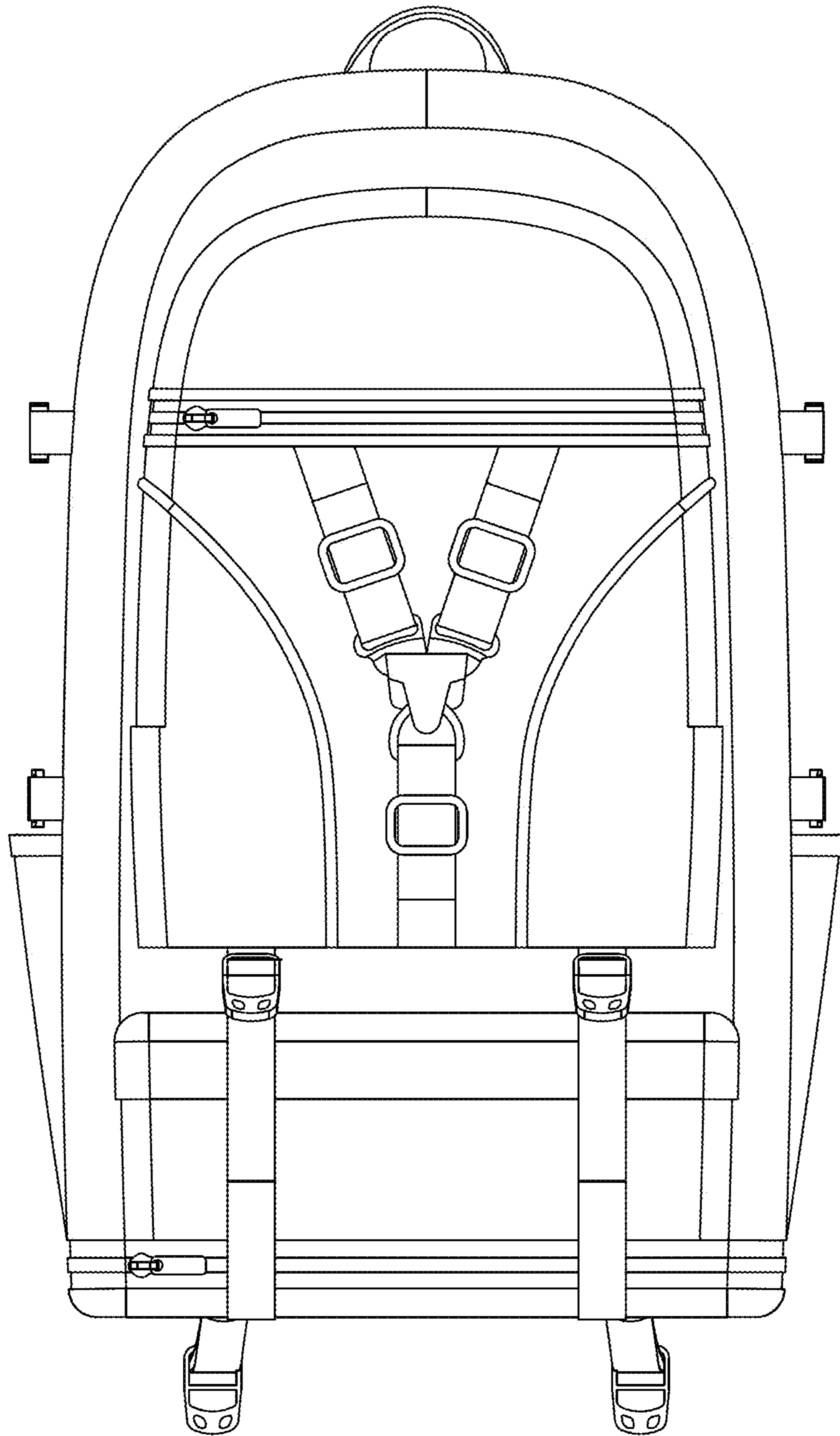


FIG.4

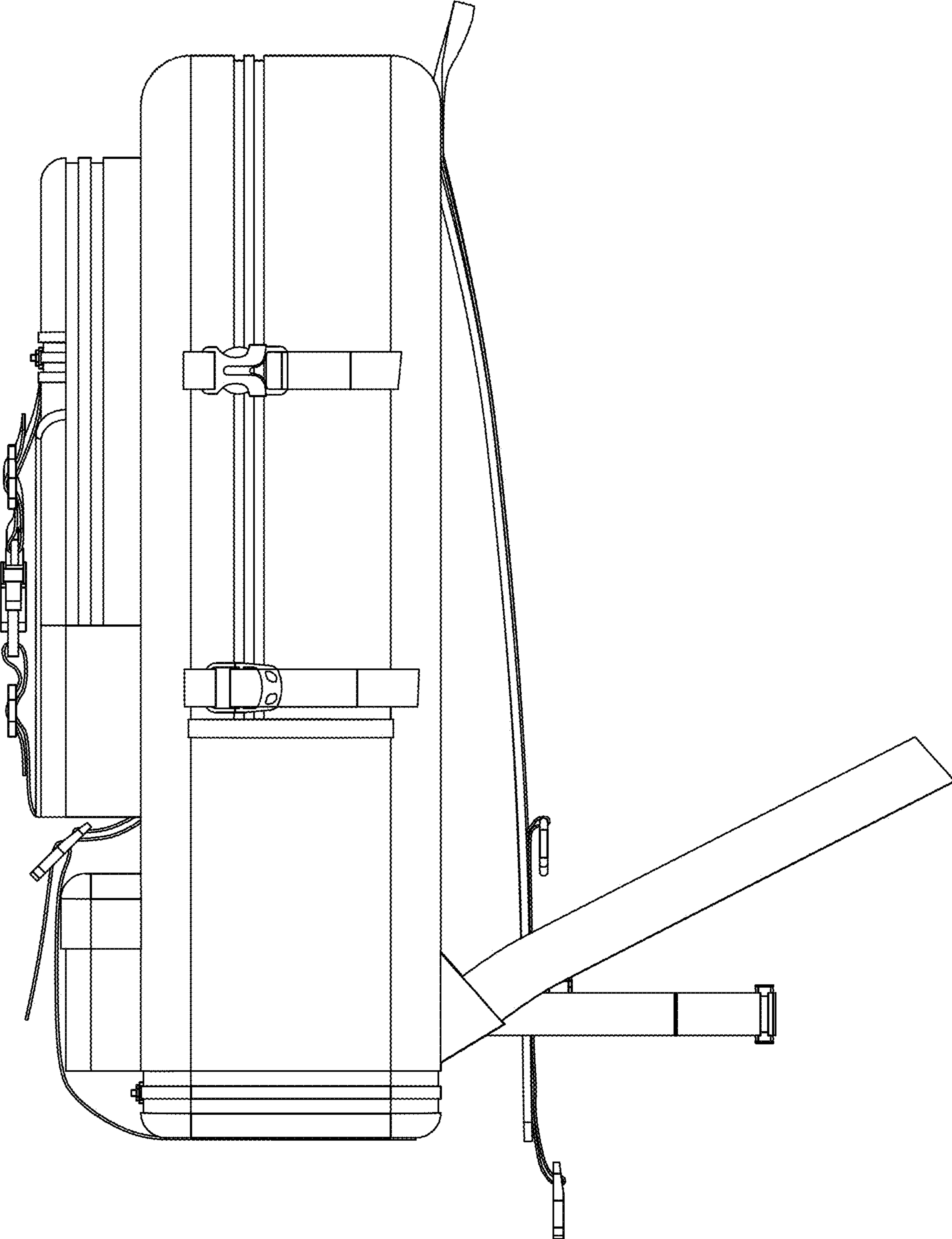


FIG.5

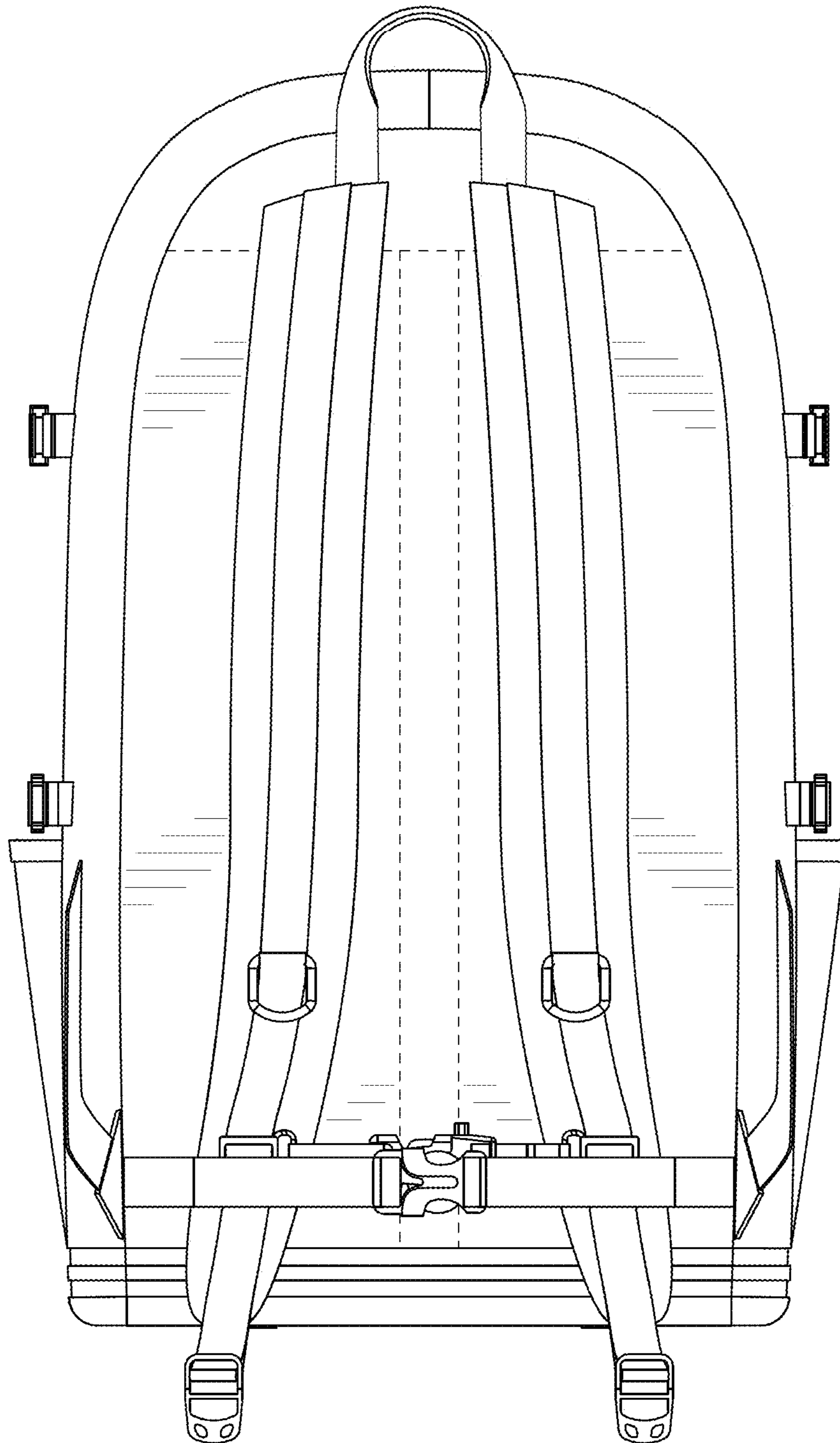


FIG.6

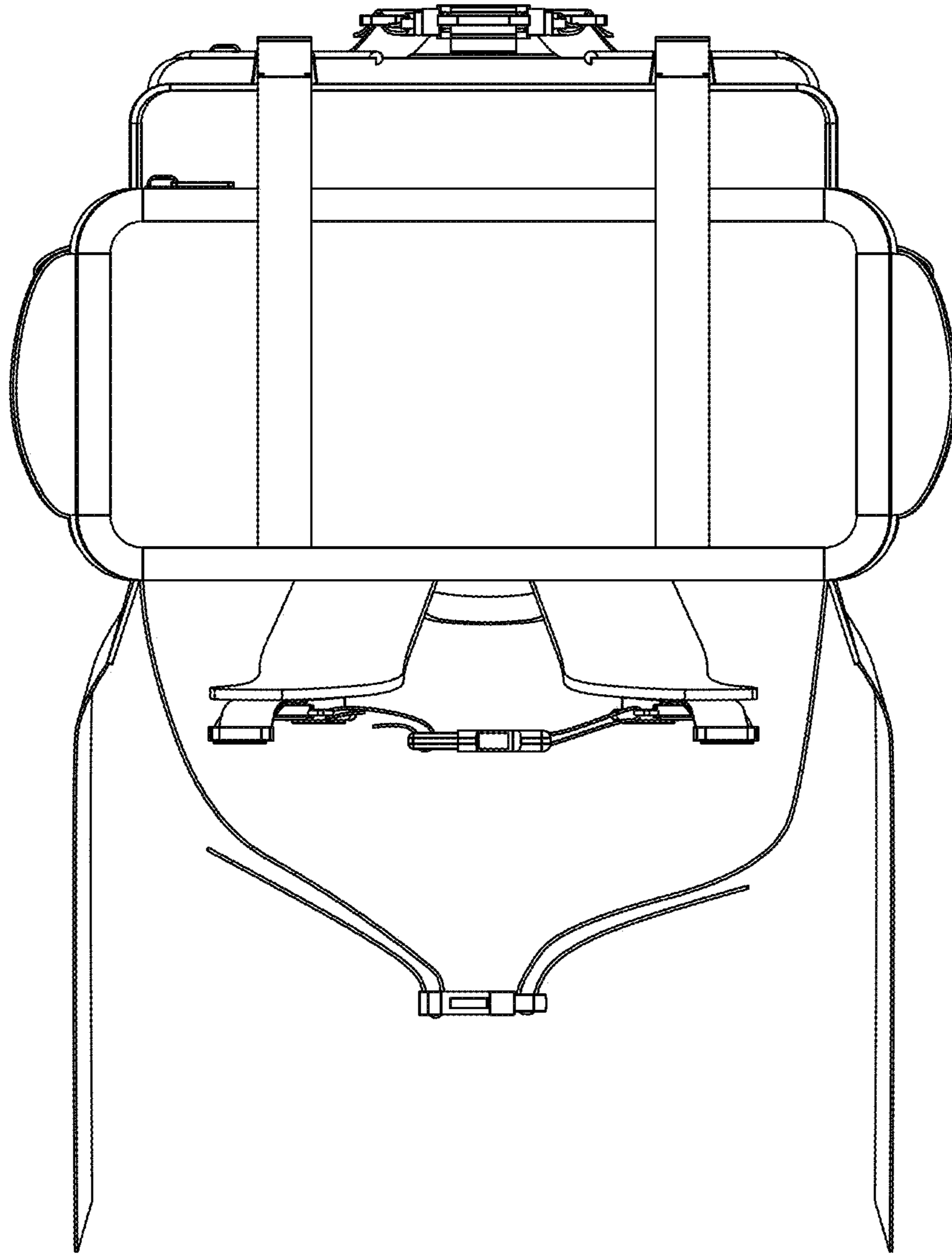


FIG.7