



US00D976573S

(12) **United States Design Patent** (10) **Patent No.:** **US D976,573 S**
Flygare et al. (45) **Date of Patent:** **** Jan. 31, 2023**

(54) **MEDICINE CONTAINER** 5,752,235 A 5/1998 Kehr et al.
5,850,937 A 12/1998 Rauche
(71) Applicant: **Apothecary Products, LLC,** 5,915,558 A 6/1999 Girvetz
Burnsville, MN (US) 6,048,087 A 4/2000 Laurent et al.
6,259,654 B1 * 7/2001 de la Huerga A61J 7/0481
368/10
(72) Inventors: **Daniel Bruce Flygare,** Chaska, MN D457,819 S 5/2002 Noble et al.
(US); **Daniel Darst,** Zimmerman, MN 6,386,367 B1 * 5/2002 Bayliss, IV G06V 20/66
(US) 359/809
(73) Assignee: **Apothecary Products, LLC,** 6,449,218 B1 9/2002 Lluch
Burnsville, MN (US) D481,946 S * 11/2003 Nicholson D9/453
D490,707 S * 6/2004 Mataya D24/224
6,771,174 B2 8/2004 Broas
(**) Term: **15 Years** 6,801,123 B2 10/2004 Brakus
7,093,736 B2 8/2006 Maietta et al.
(21) Appl. No.: **29/688,898** 7,545,257 B2 6/2009 Brue
7,602,275 B2 10/2009 Dishongh et al.
(22) Filed: **Apr. 25, 2019** (Continued)

(51) **LOC (14) Cl.** **03-01**
(52) **U.S. Cl.**
USPC **D3/203.2**
(58) **Field of Classification Search**
USPC D3/201, 203.1, 203.2, 203.3; D9/435,
D9/436, 516, 529, 549, 551, 564, 574
CPC A61J 1/03; A61J 1/1437; A61J 7/0076;
A61J 2205/60; G07C 9/00571; B65D
55/14
See application file for complete search history.

FOREIGN PATENT DOCUMENTS

CA 2251234 A1 12/1998
Primary Examiner — Steven J Czyz
(74) *Attorney, Agent, or Firm* — Merchant & Gould P.C.

(57) **CLAIM**

The ornamental design for a medicine container, as shown and described.

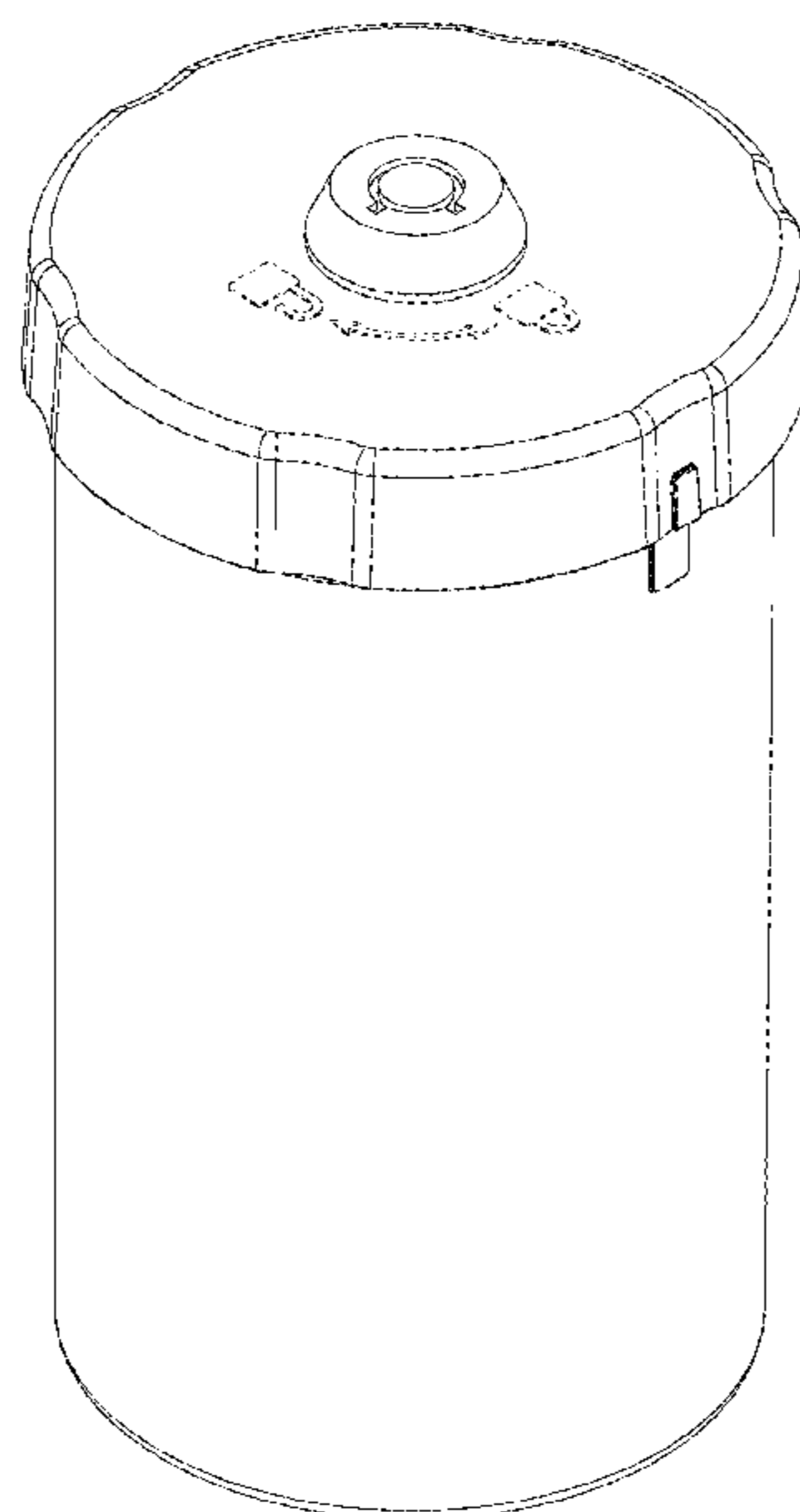
(56) **References Cited**
U.S. PATENT DOCUMENTS

4,275,384 A 6/1981 Hicks et al.
4,572,403 A 2/1986 Benaroya
4,682,299 A 7/1987 McIntosh et al.
4,748,600 A 5/1988 Urquhart
4,768,176 A 8/1988 Kehr et al.
5,020,037 A 5/1991 Raven
5,099,463 A 3/1992 Lloyd et al.
5,181,189 A 1/1993 Hafner
5,200,891 A 4/1993 Kehr et al.
5,289,157 A 2/1994 Rudick et al.
5,408,443 A 4/1995 Weinberger
5,751,661 A 5/1998 Walters

DESCRIPTION

FIG. 1 is a top perspective view of a medicine container, according to our new design;
FIG. 2 is a bottom perspective view of FIG. 1;
FIG. 3 is a front view of FIG. 1;
FIG. 4 is a rear view of FIG. 1;
FIG. 5 is a left view of FIG. 1;
FIG. 6 is a right view of FIG. 1;
FIG. 7 is a top view of FIG. 1; and,
FIG. 8 is a bottom view of FIG. 1.

1 Claim, 8 Drawing Sheets



(56)

References Cited

U.S. PATENT DOCUMENTS

7,715,277 B2 * 5/2010 de la Huerga ... G06K 19/07762
340/572.1

7,720,568 B2 5/2010 Berg et al.

D625,911 S * 10/2010 Lee D3/203.2

7,877,268 B2 1/2011 Kulkarni

8,085,135 B2 12/2011 Cohen Alloro et al.

D651,897 S * 1/2012 Miceli D7/387

8,174,370 B1 5/2012 Fulmer-Mason

8,193,918 B1 6/2012 Shavelsky et al.

8,214,077 B2 7/2012 Bertrand et al.

D679,994 S * 4/2013 Dahl D9/443

D682,688 S * 5/2013 Murray D32/32

D691,054 S * 10/2013 Olsson D9/453

8,581,709 B2 11/2013 Mazur

D695,511 S * 12/2013 Sharpe D3/203.2

D696,958 S * 1/2014 Rex D9/453

8,749,359 B1 6/2014 Wilson

8,752,728 B2 * 6/2014 Tignanelli A61J 7/0409
221/241

D711,739 S * 8/2014 Priebe D9/435

D731,170 S * 6/2015 Priebe D3/203.2

9,111,324 B2 8/2015 Hyde et al.

9,144,399 B2 9/2015 Needham et al.

9,268,913 B2 2/2016 Johnson et al.

9,311,452 B2 4/2016 Dickie et al.

9,393,180 B2 7/2016 Lapham

D768,492 S * 10/2016 Kim D9/434

9,504,628 B2 * 11/2016 Reddy G16H 20/13

9,558,596 B2 1/2017 Nurse et al.

9,588,496 B2 * 3/2017 Kodat G04G 15/006

9,603,776 B2 3/2017 Bunker et al.

D786,087 S * 5/2017 McCoy A61J 1/03
D9/563

D794,448 S * 8/2017 Mataya D9/436

9,717,655 B2 8/2017 Nova et al.

D804,807 S * 12/2017 Wengreen D9/503

D855,309 S * 8/2019 Patel D3/203.1

D880,844 S * 4/2020 Burrows D3/203.2

D896,074 S * 9/2020 Hudson D9/435

D899,249 S * 10/2020 Li D9/435

10,842,713 B1 * 11/2020 Cohen A61J 7/0046

10,870,517 B2 * 12/2020 Mott A61J 7/0076

11,160,727 B2 * 11/2021 Flygare A61J 1/03

D945,767 S * 3/2022 Amar D3/203.1

11,279,535 B1 * 3/2022 Simpson B65D 55/145

D948,959 S * 4/2022 Tsai D7/397

2002/0149472 A1 10/2002 Roe

2008/0006700 A1 1/2008 Zegelin et al.

2010/0332023 A1 12/2010 Tripathi et al.

2013/0062303 A1 * 3/2013 Serell A61J 1/03
215/206

2013/0161207 A1 * 6/2013 Luciano, Jr. A61J 1/03
53/467

2016/0034669 A1 2/2016 Mahbubian

2017/0281467 A1 * 10/2017 Solotoff A61J 1/1437

2019/0016511 A1 * 1/2019 Yang E05B 19/0005

2020/0031540 A1 * 1/2020 Dzurik B65D 47/0838

2020/0062471 A1 * 2/2020 Cangoz A61J 1/03

2020/0130900 A1 * 4/2020 Herbert A61J 1/1412

2020/0337945 A1 * 10/2020 Flygare A61J 7/0076

2021/0276769 A1 * 9/2021 Dzurik B65D 47/08

2022/0047461 A1 * 2/2022 Israeli A61J 7/0436

2022/0202651 A1 * 6/2022 Lund A61J 1/03

* cited by examiner

FIG. 1

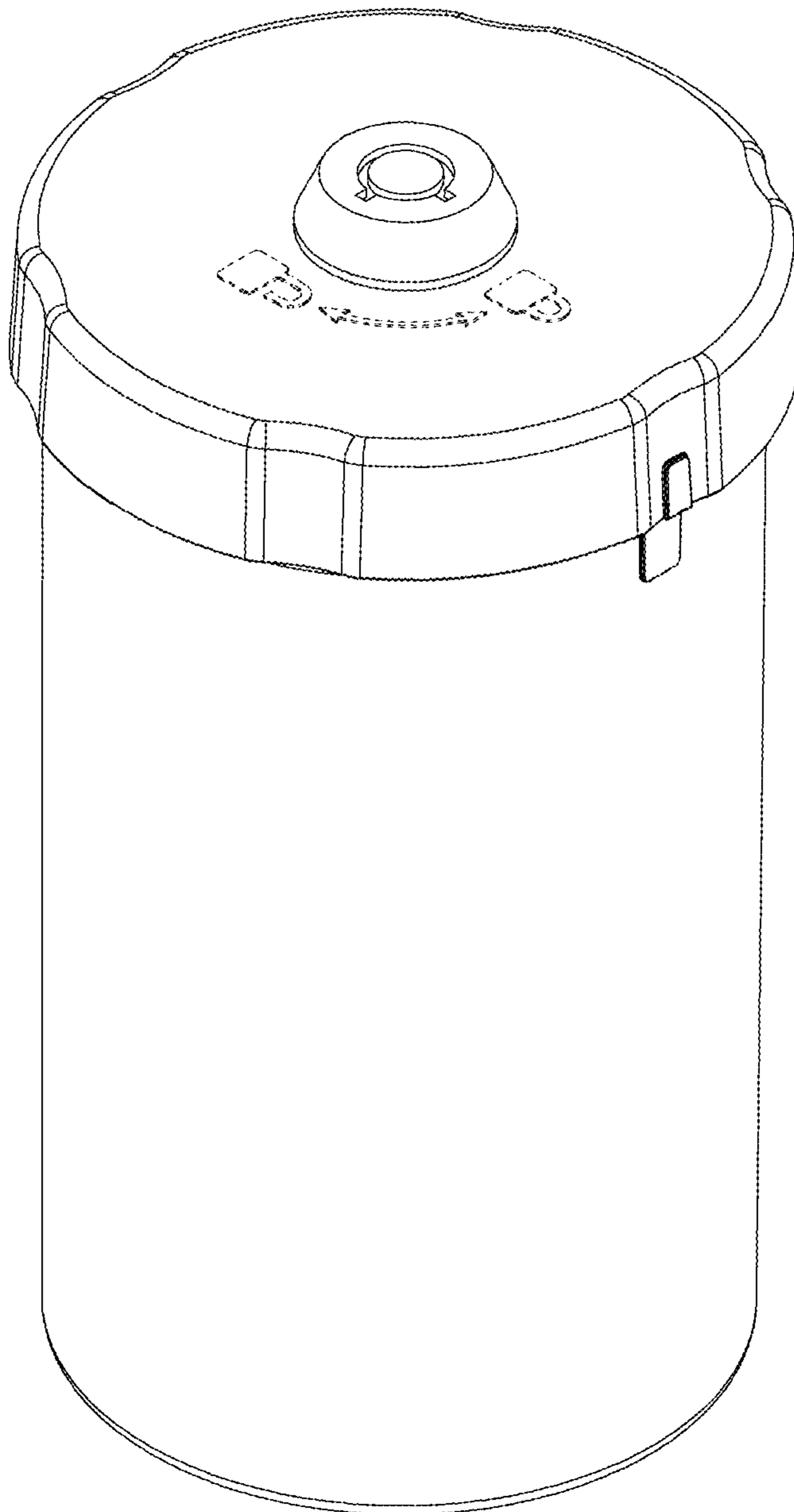


FIG. 2

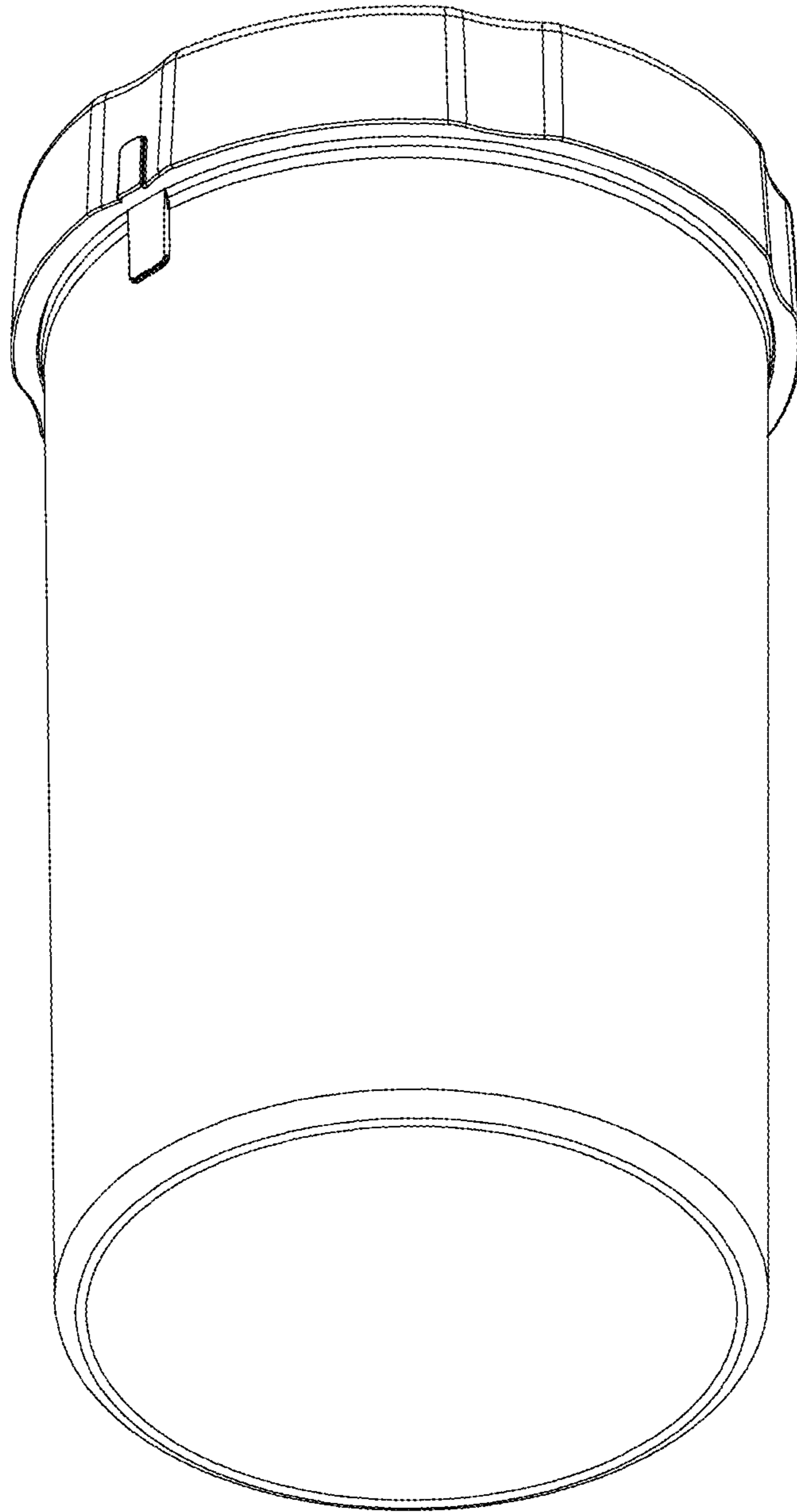


FIG. 3

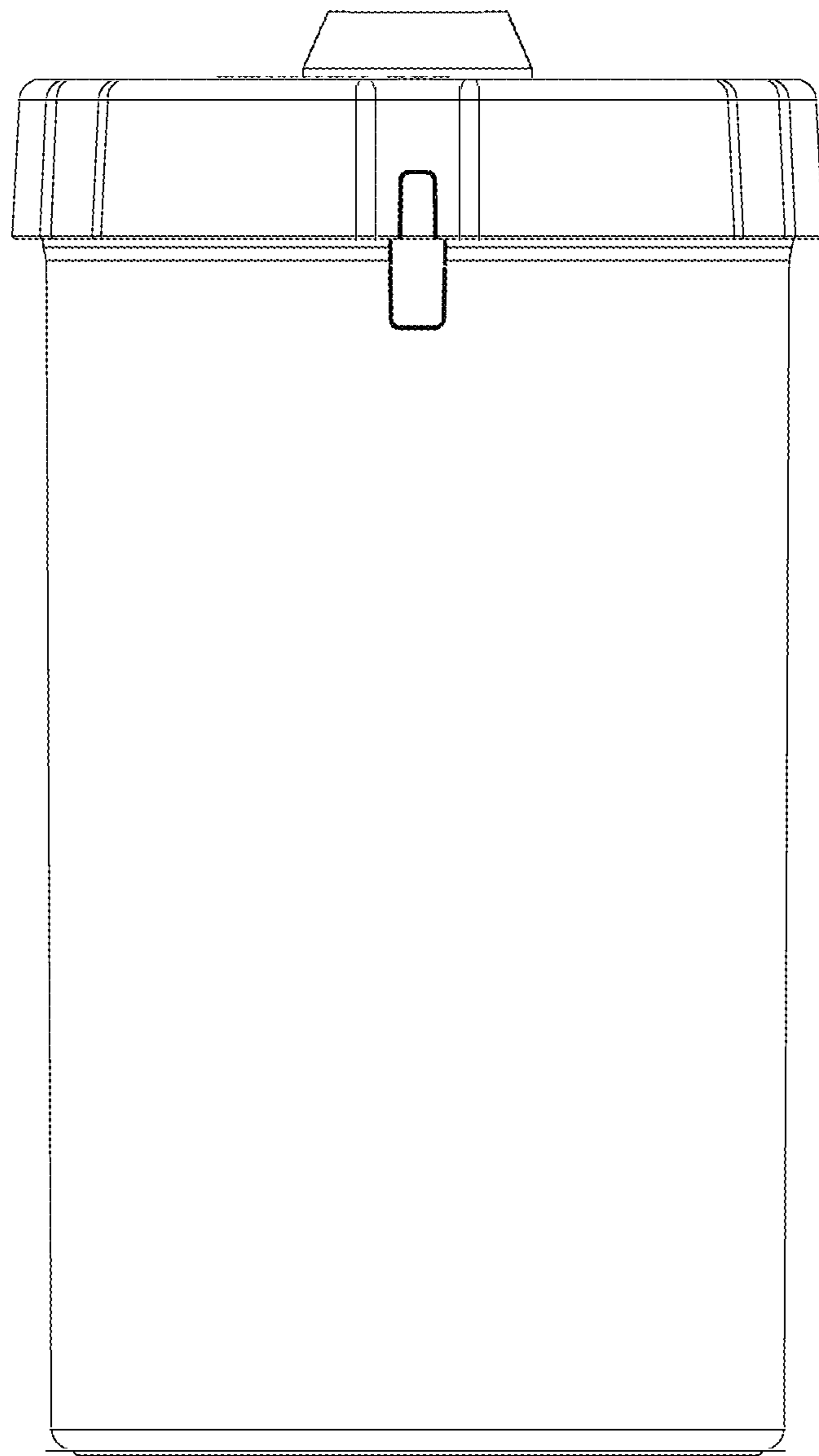


FIG. 4

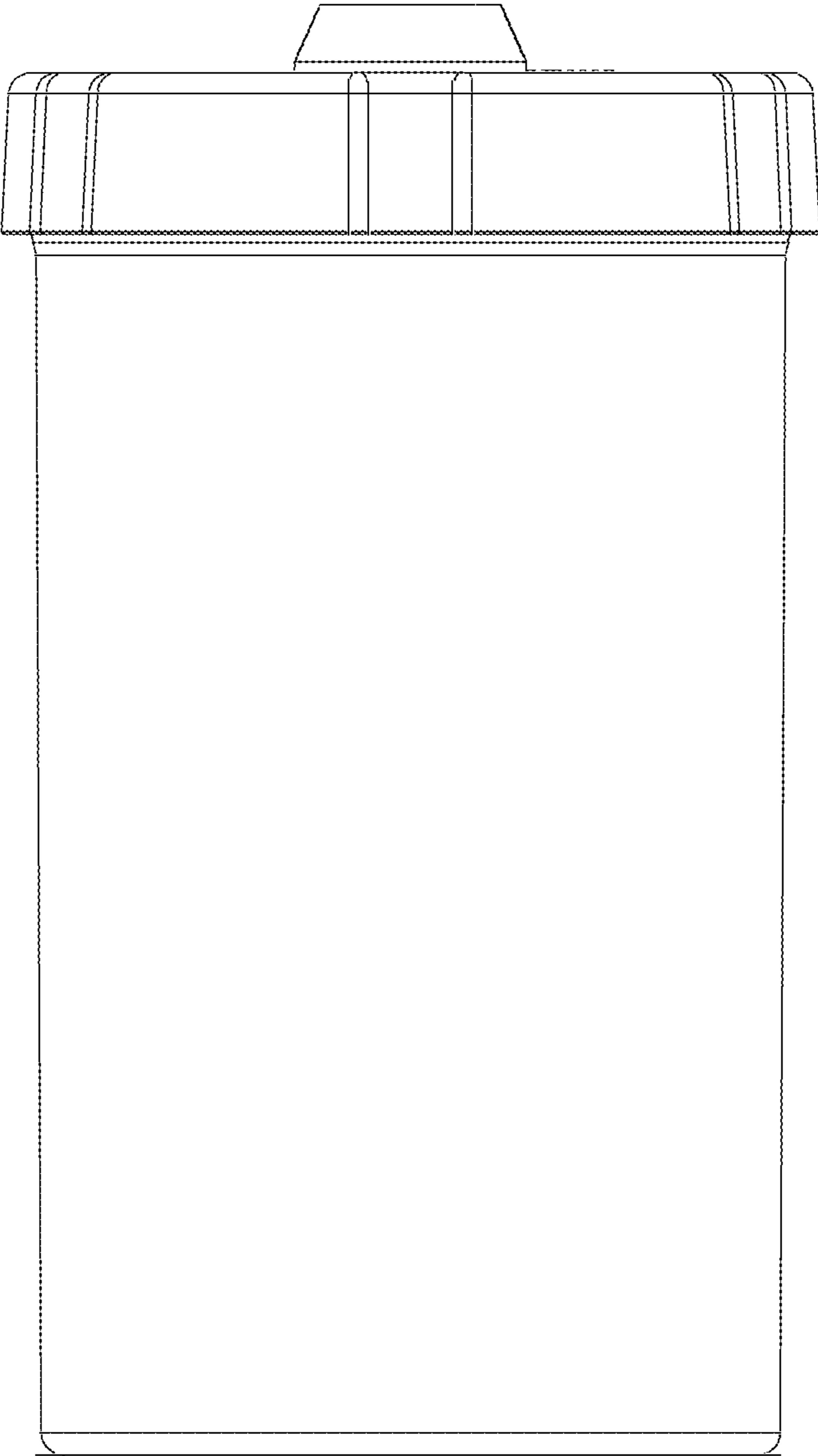


FIG. 5

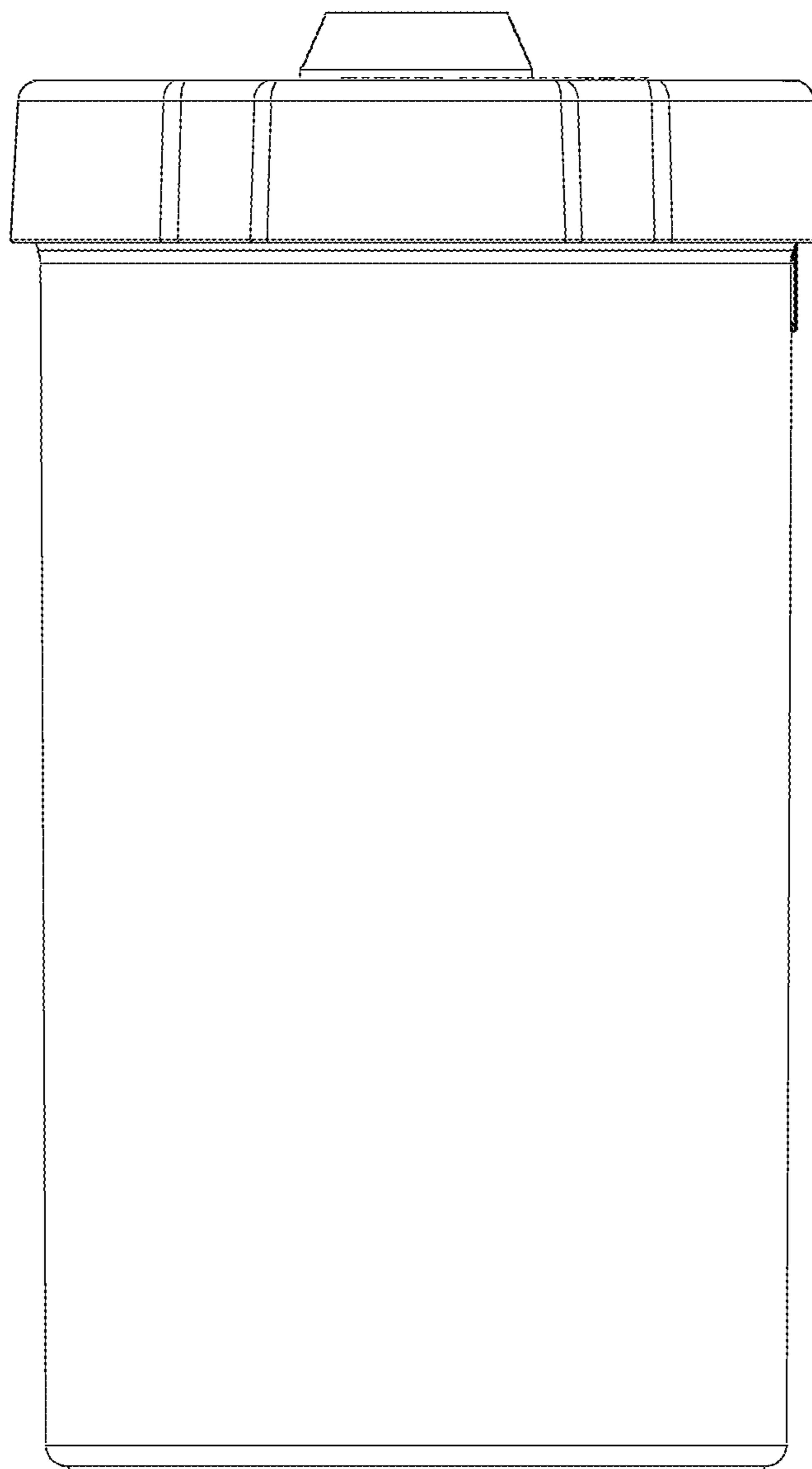


FIG. 6

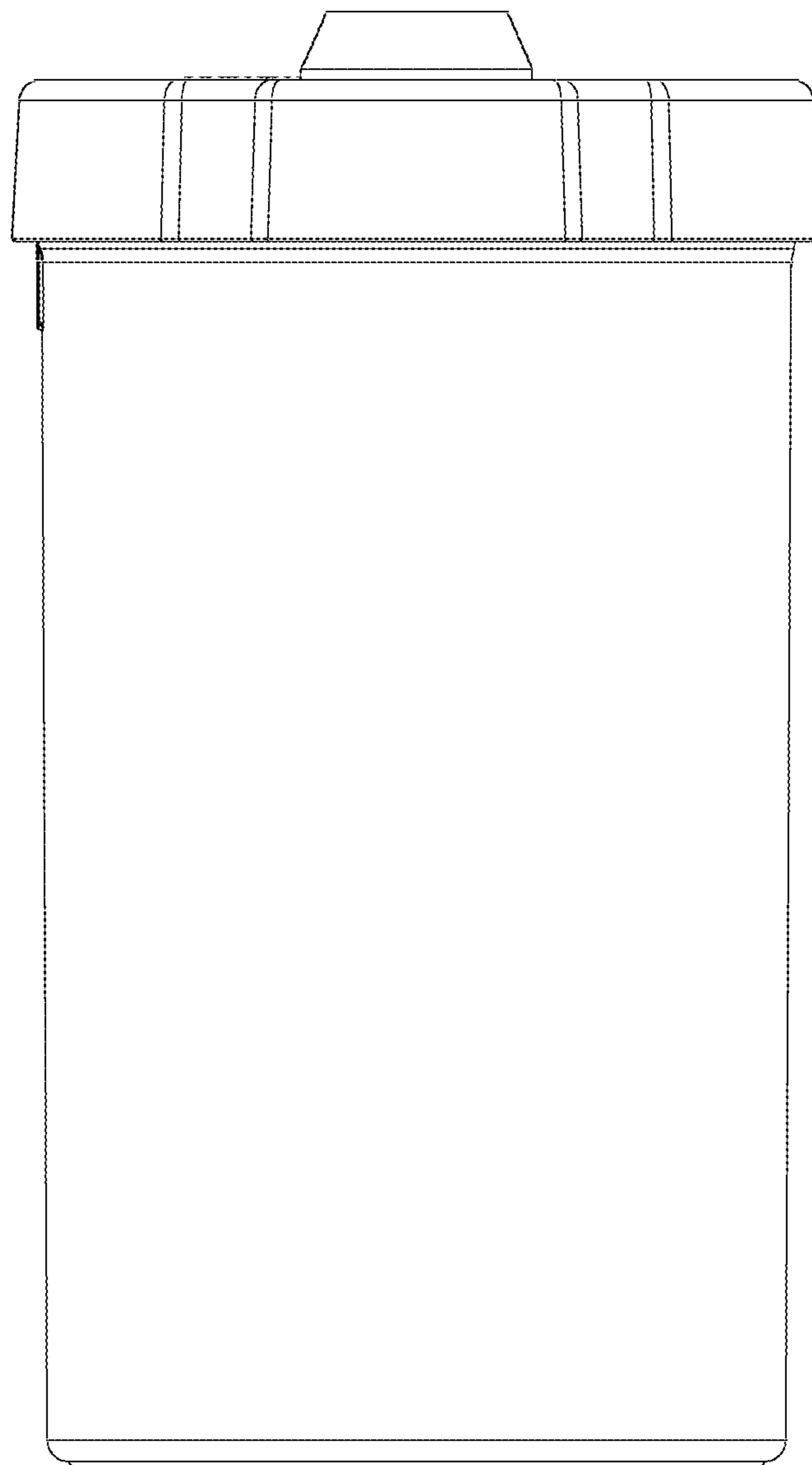


FIG. 7

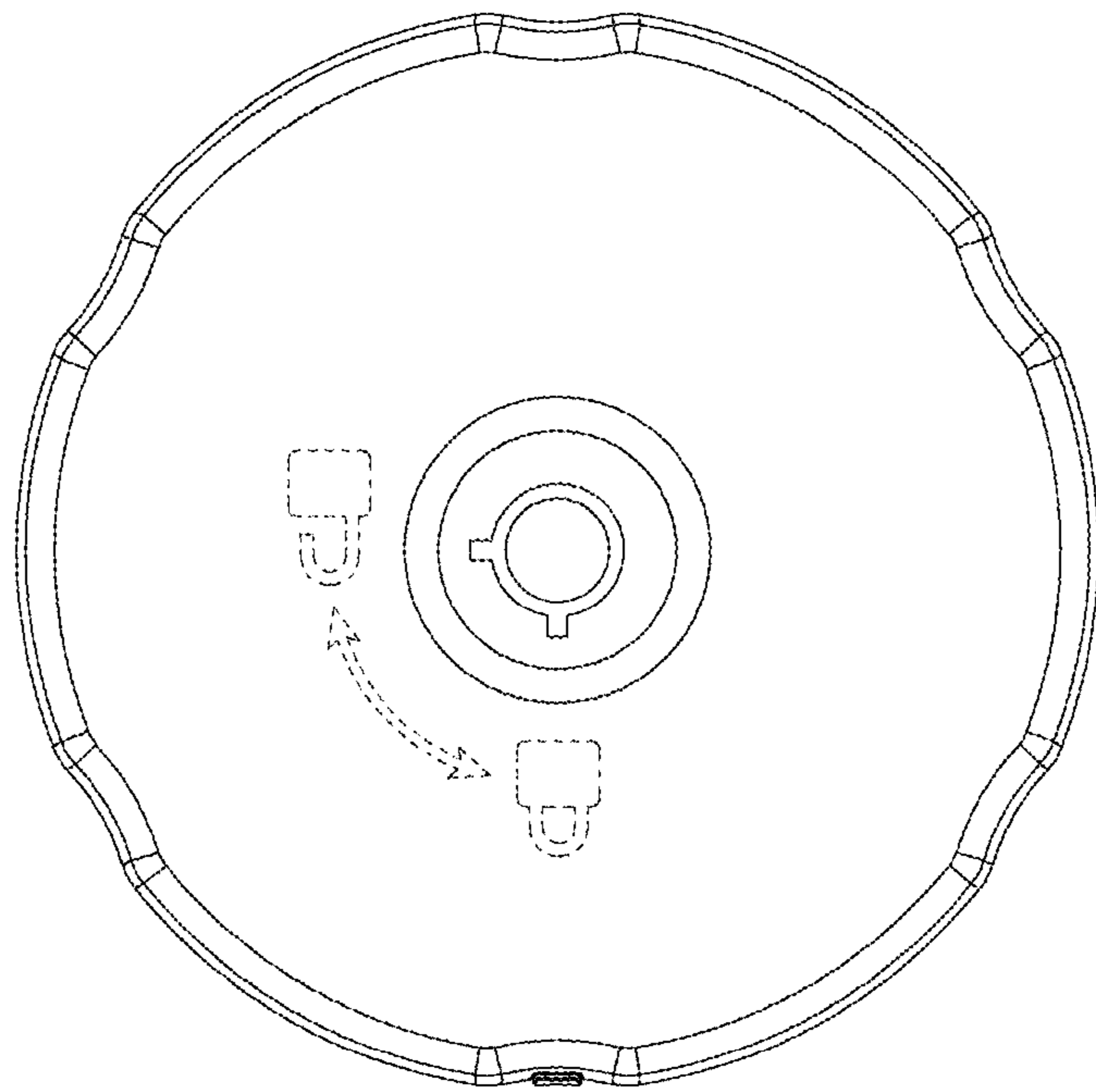


FIG. 8

