



US00D976572S

(12) **United States Design Patent**
Vieyra et al.

(10) **Patent No.:** **US D976,572 S**
(45) **Date of Patent:** **** Jan. 31, 2023**

(54) **PROTECTED WEARABLES CARRIER**

(71) Applicant: **VIEYRA INC.**, Houston, TX (US)

(72) Inventors: **Fortune Vieyra**, Houston, TX (US);
Jamie Ibanez, Houston, TX (US)

(73) Assignee: **VIEYRA INC.**, Houston, TX (US)

(**) Term: **15 Years**

(21) Appl. No.: **29/747,575**

(22) Filed: **Aug. 24, 2020**

Related U.S. Application Data

(62) Division of application No. 29/635,062, filed on Jan. 26, 2018, now Pat. No. Des. 893,872.

(51) **LOC (14) Cl.** **03-01**

(52) **U.S. Cl.**
USPC **D3/201**

(58) **Field of Classification Search**
USPC D3/215, 224, 226, 221, 232, 247-248
CPC A45C 1/06; A45C 3/08
See application file for complete search history.

(56) **References Cited**

U.S. PATENT DOCUMENTS

D421,526 S 3/2000 Isaacson
D429,497 S 8/2000 Wyant
D502,596 S * 3/2005 Smoot D3/208
D669,682 S 10/2012 Crifasi

D671,738 S 12/2012 Hargens
D719,732 S 12/2014 Hyzdu
D828,032 S 9/2018 Brundage
D845,623 S * 4/2019 Sullivan D3/247
D867,757 S 11/2019 Justiss
D907,364 S * 1/2021 Robinson D3/300
D944,521 S * 3/2022 Akana D3/247
D947,530 S * 4/2022 Marcel D3/247
2021/0007450 A1 * 1/2021 Kane A45C 1/06
2021/0330045 A1 * 10/2021 Tran A45C 1/06
2022/0117365 A1 * 4/2022 Tran A45C 1/06

* cited by examiner

Primary Examiner — Catherine R Oliver-Garcia

(74) *Attorney, Agent, or Firm* — Volpe Koenig

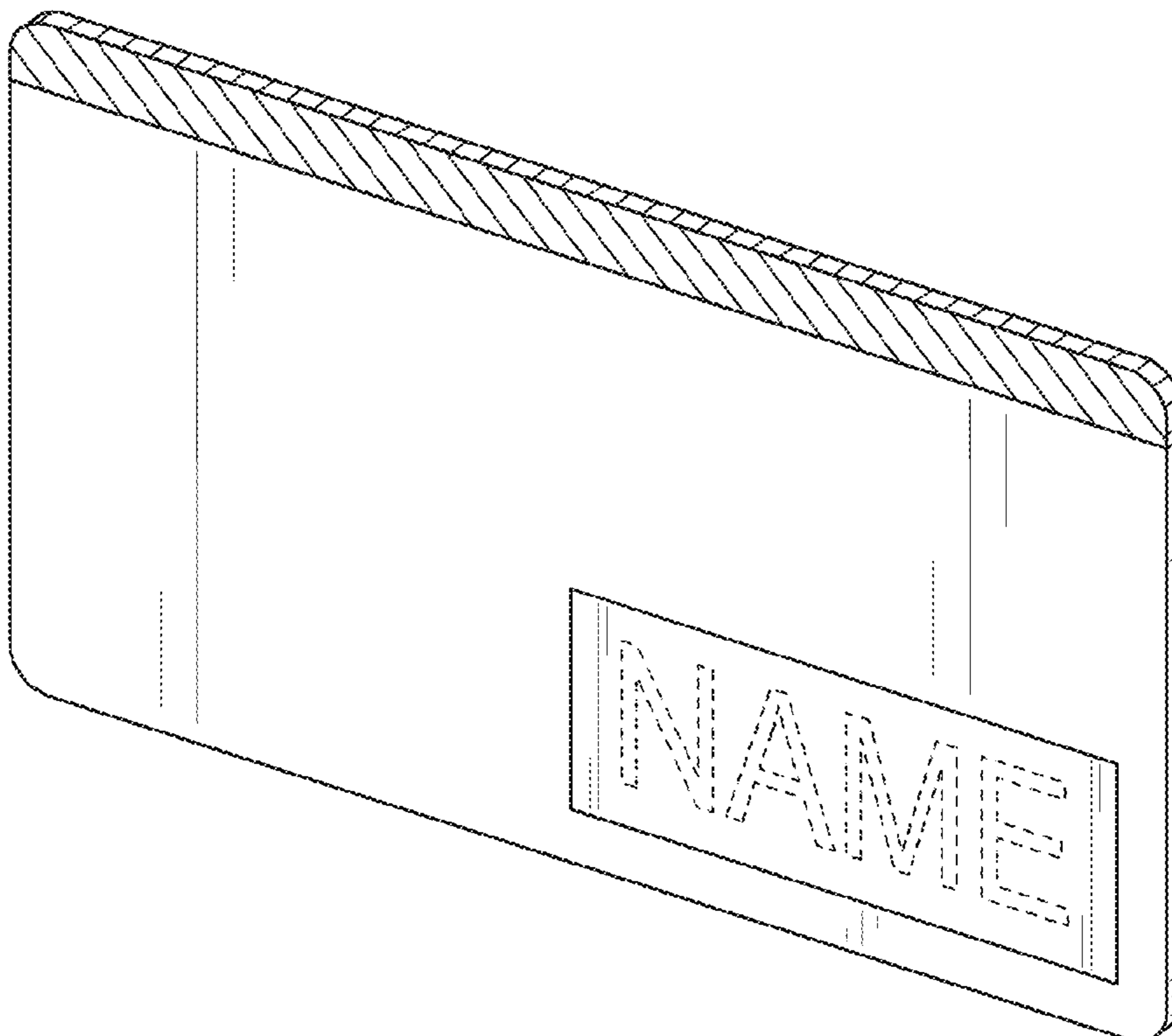
(57) **CLAIM**

The ornamental design for a protected wearables carrier, as shown and described.

DESCRIPTION

FIG. 1 is a perspective view of a protected wearables carrier in accordance with our new design;
FIG. 2 is a front view thereof;
FIG. 3 is a rear view thereof;
FIG. 4 is a top view thereof;
FIG. 5 is a bottom view thereof;
FIG. 6 is a side view thereof;
FIG. 7 is a side view thereof; and,
FIG. 8 is a perspective view shown in use.
All broken lines appearing in the drawings are for illustrative purposes and/or represent unclaimed subject matter and form no part of the claimed design.

1 Claim, 6 Drawing Sheets



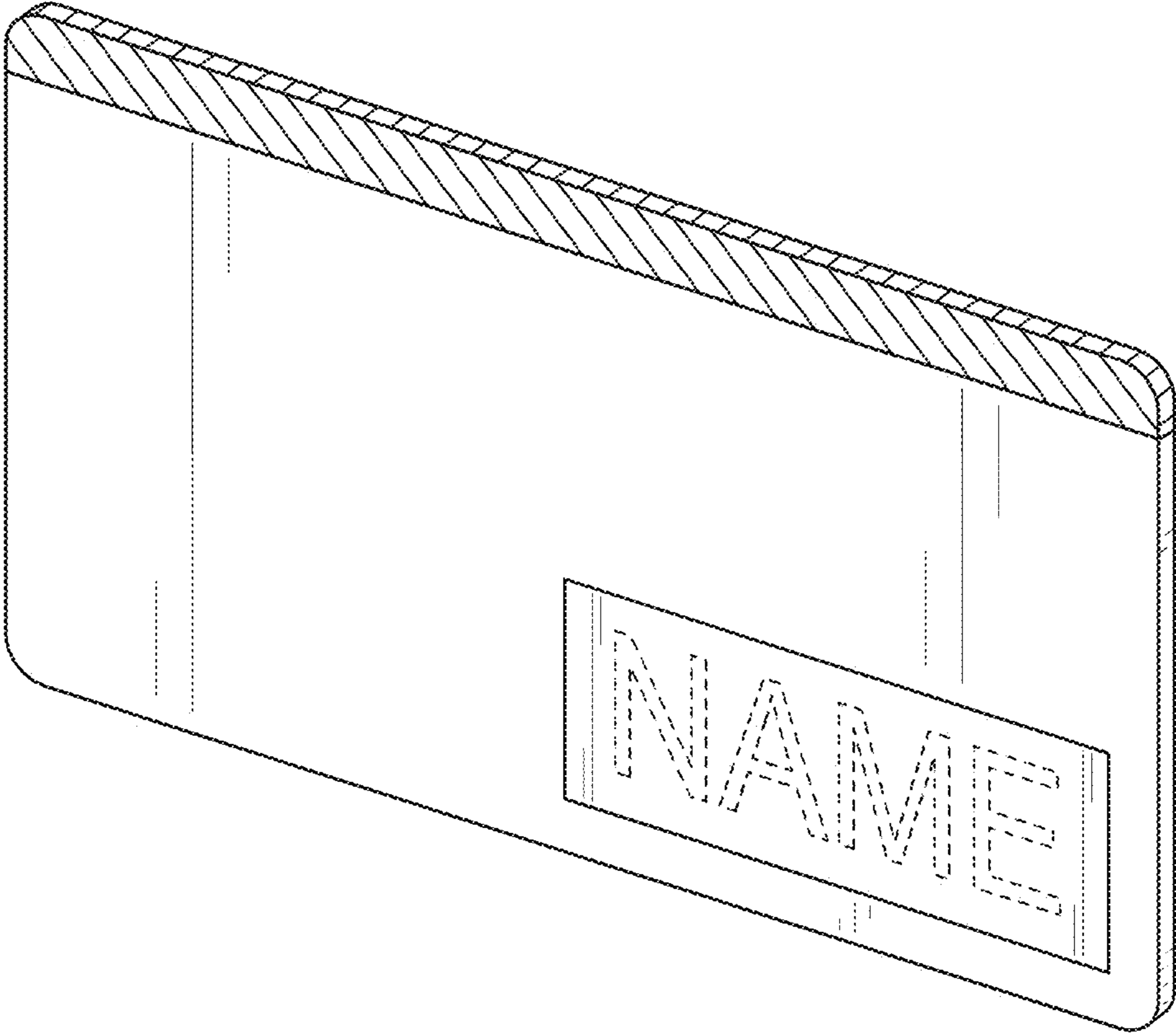


FIG. 1

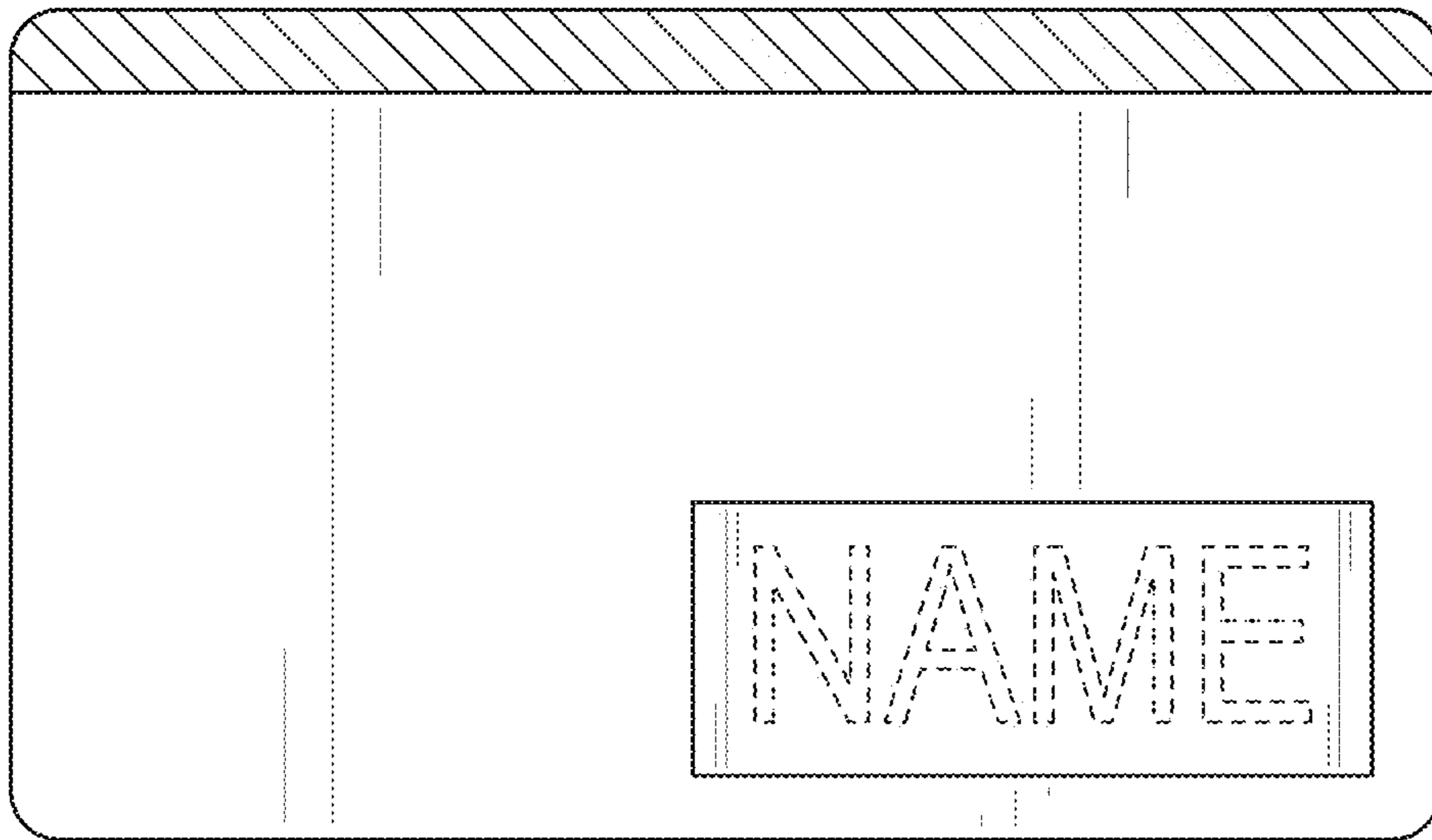


FIG. 2

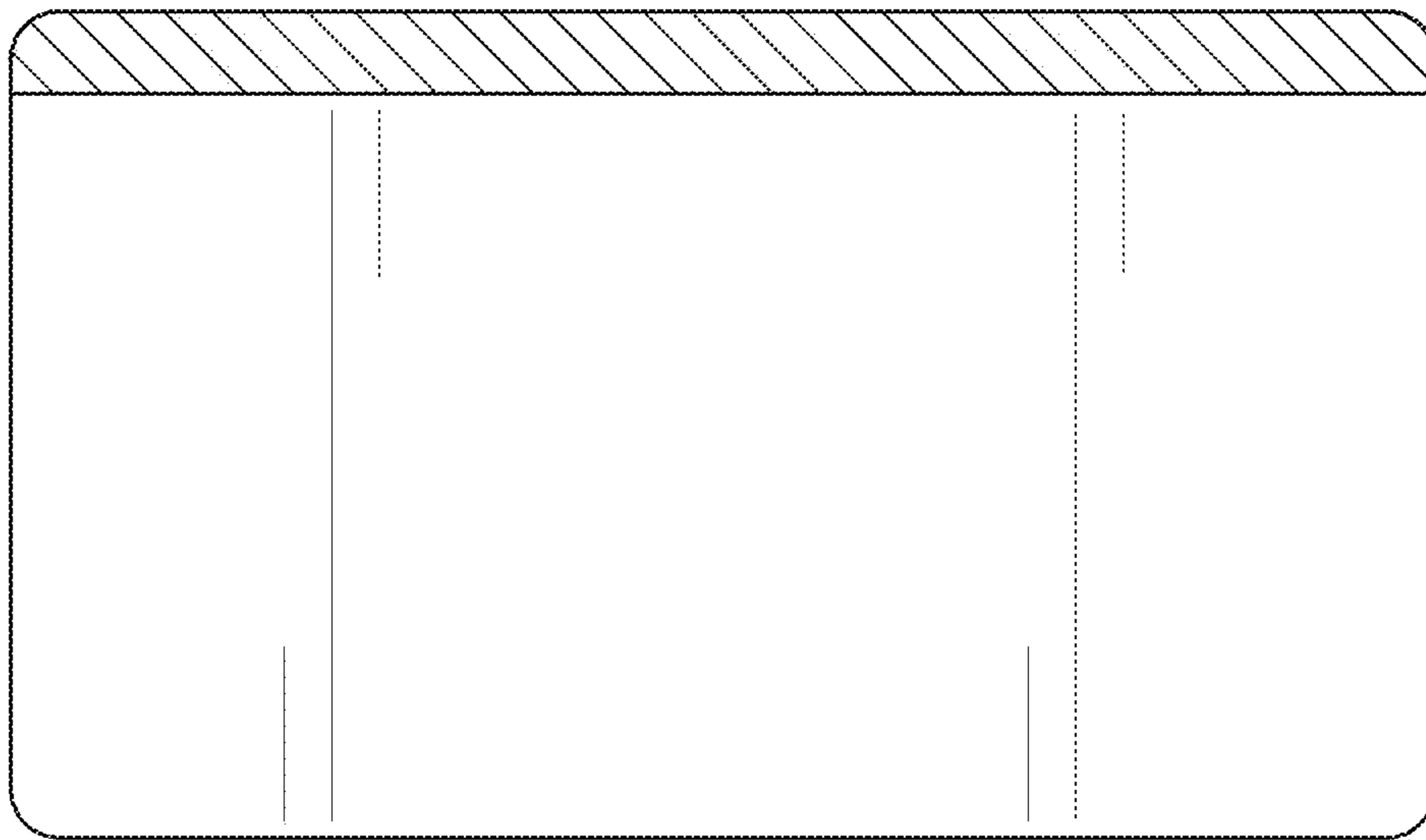


FIG. 3



FIG. 4

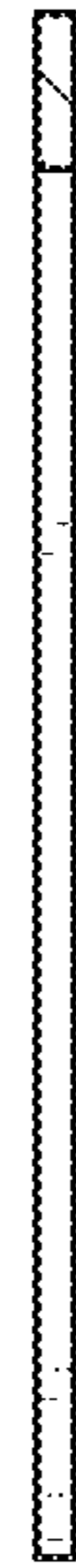


FIG. 5

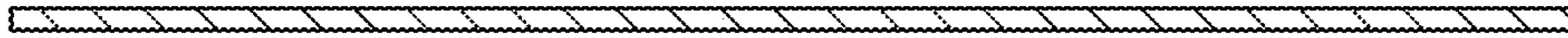


FIG. 6



FIG. 7

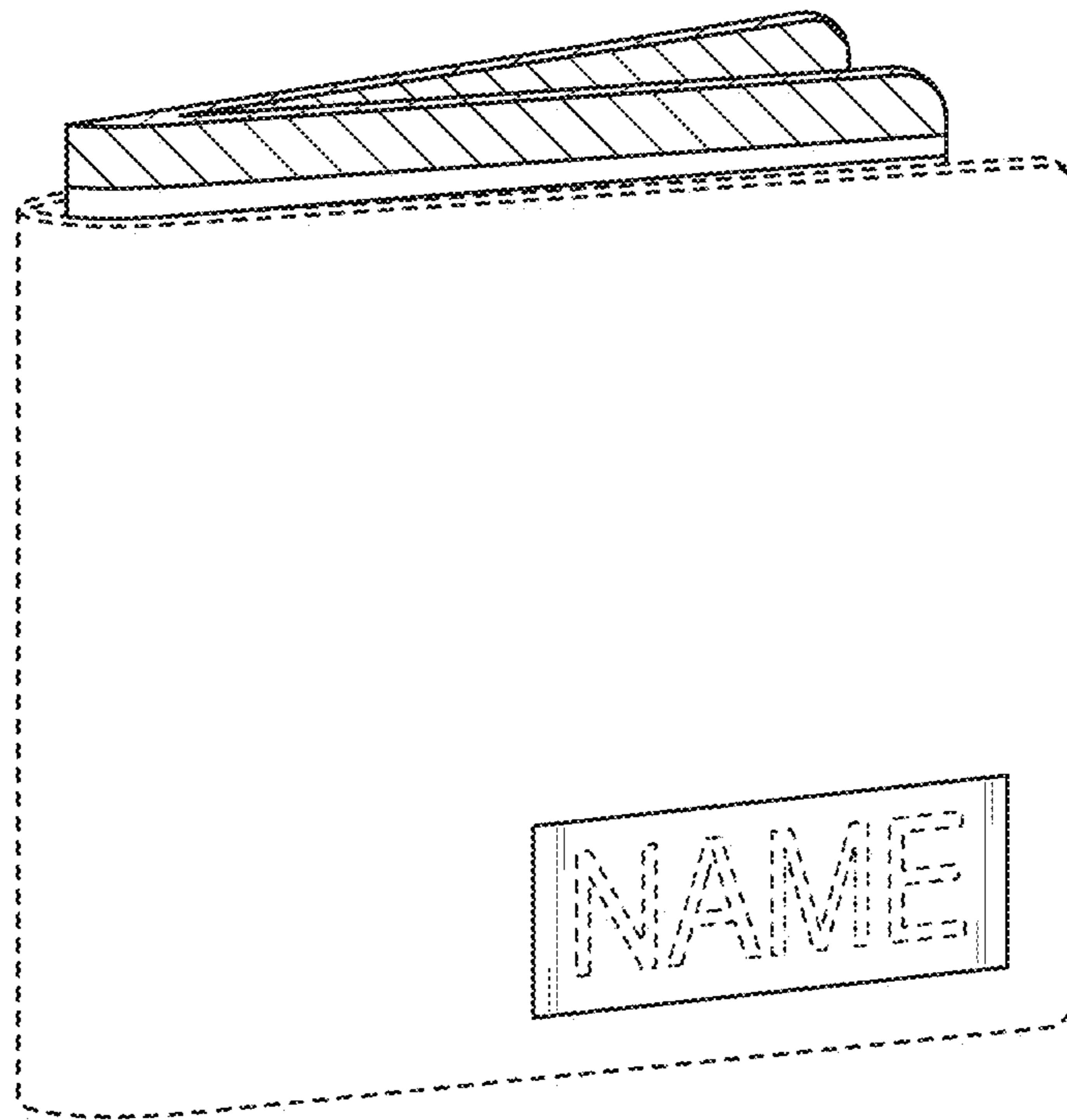


FIG. 8