

US00D976541S

(12) **United States Design Patent**
Kroshinskaya

(10) **Patent No.:** **US D976,541 S**
(45) **Date of Patent:** **** Jan. 31, 2023**

- (54) **FOOTWEAR**
- (71) Applicant: **Target Brands, Inc.**, Minneapolis, MN (US)
- (72) Inventor: **Masha Kroshinskaya**, Minneapolis, MN (US)
- (73) Assignee: **Target Brands, Inc.**, Minneapolis, MN (US)
- (**) Term: **15 Years**

- 5,056,241 A 10/1991 Young
- 5,205,054 A 4/1993 York, Jr.
- 5,423,134 A 6/1995 Bagnaia et al.
- 5,465,506 A 11/1995 Matis et al.
- 5,533,278 A 7/1996 Stein
- 5,561,919 A 10/1996 Gill
- RE35,452 E 2/1997 Sargeant
- 5,687,492 A 11/1997 Muraoka
- 5,836,090 A 11/1998 Smith
- 5,901,394 A 5/1999 Greenawalt
- 6,021,585 A 2/2000 Cole
- 6,052,920 A 4/2000 Bathum
- 6,237,250 B1 5/2001 Aguerre

(Continued)

- (21) Appl. No.: **29/829,806**
- (22) Filed: **Mar. 8, 2022**

FOREIGN PATENT DOCUMENTS

- CA 25148080 C 2/2007
- CN 205492741 8/2016

(Continued)

Related U.S. Application Data

- (63) Continuation of application No. 29/745,672, filed on Aug. 7, 2020.
- (51) **LOC (14) Cl.** **02-04**
- (52) **U.S. Cl.**
USPC **D2/916**
- (58) **Field of Classification Search**
USPC D2/896-900, 902-908, 916-918, 946, D2/951, 969, 972-974
CPC A43B 3/12; A43B 3/10
See application file for complete search history.

Primary Examiner — Rashida C. Walshon
(74) *Attorney, Agent, or Firm* — Merchant & Gould P.C.

(57) **CLAIM**

The ornamental design for a footwear, as shown and described.

DESCRIPTION

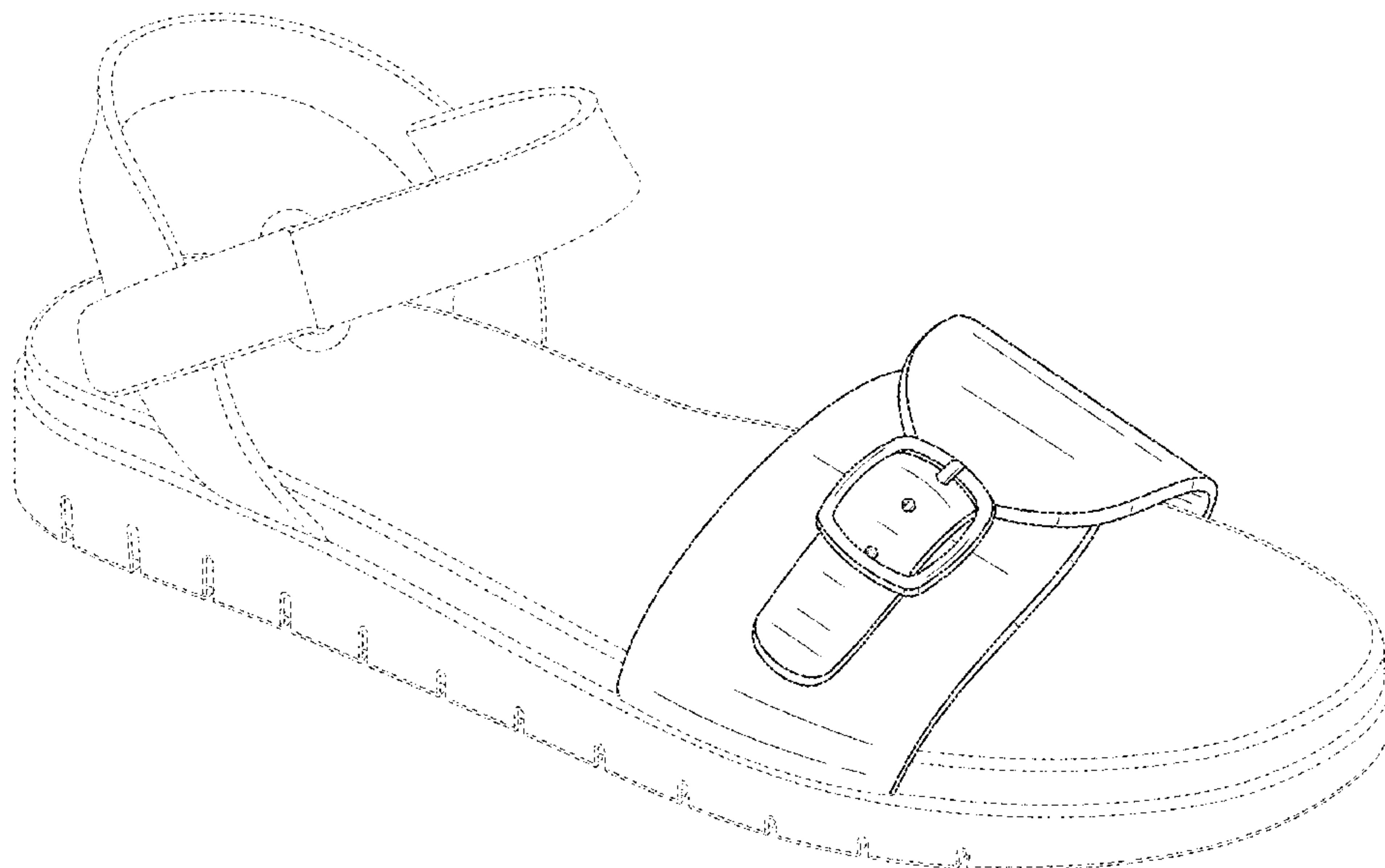
FIG. 1 is front, top and right side perspective view of a footwear according to the new design;
FIG. 2 is a bottom, back and left side perspective view thereof;
FIG. 3 is a right side elevation view thereof;
FIG. 4 is a left side elevation view thereof;
FIG. 5 is a front elevation view thereof;
FIG. 6 is a back elevation view thereof;
FIG. 7 is a top plan view thereof; and,
FIG. 8 is a bottom plan view thereof.
The broken lines in the drawings show portions that form no part of the claimed design.

(56) **References Cited**

U.S. PATENT DOCUMENTS

- 4,200,997 A 5/1980 Scheinhaus et al.
- 4,275,512 A 6/1981 Zeligman et al.
- 4,300,294 A 11/1981 Riecken
- 4,446,633 A 5/1984 Scheinhaus et al.
- D275,429 S * 9/1984 Nakao D2/918
- 4,793,075 A 12/1988 Thatcher
- 4,817,302 A 4/1989 Saltsman
- 4,869,000 A 9/1989 York, Jr.
- 4,967,750 A 11/1990 Cherniak

1 Claim, 8 Drawing Sheets



(56)

References Cited

U.S. PATENT DOCUMENTS

| | | | | |
|--------------|-----|---------|----------------|--------|
| 6,543,157 | B2 | 4/2003 | Pan | |
| 6,606,803 | B1 | 8/2003 | Ritter et al. | |
| 6,637,130 | B2 | 10/2003 | Urie et al. | |
| 6,694,641 | B1 | 2/2004 | Gill | |
| 6,772,541 | B1 | 8/2004 | Ritter et al. | |
| 7,103,993 | B2 | 9/2006 | Sakai | |
| D577,882 | S * | 10/2008 | Little | D2/916 |
| 7,794,417 | B1 | 9/2010 | Zimmerman | |
| 7,823,299 | B1 | 11/2010 | Brigham | |
| 8,460,593 | B2 | 6/2013 | Fogg et al. | |
| 8,839,529 | B1 | 9/2014 | Levy | |
| 9,468,252 | B2 | 10/2016 | Dematteo | |
| 9,955,755 | B2 | 5/2018 | Heid | |
| 10,278,454 | B2 | 5/2019 | Kohatsu et al. | |
| D874,101 | S * | 2/2020 | Post | D2/916 |
| D878,718 | S * | 3/2020 | Post | D2/916 |
| D879,419 | S * | 3/2020 | Post | D2/916 |
| D880,117 | S * | 4/2020 | Rübenach | D2/917 |
| D919,248 | S * | 5/2021 | Post | D2/951 |
| 2006/0059712 | A1 | 5/2006 | Asham | |

| | | | |
|--------------|----|---------|------------------|
| 2006/0288610 | A1 | 12/2006 | Laska et al. |
| 2009/0313854 | A1 | 12/2009 | Clarke |
| 2010/0242305 | A1 | 9/2010 | Liu |
| 2012/0124860 | A1 | 5/2012 | Waddel |
| 2017/0143071 | A1 | 5/2017 | Huang et al. |
| 2017/0360142 | A1 | 12/2017 | Griffin |
| 2019/0350304 | A1 | 11/2019 | Velazquez et al. |

FOREIGN PATENT DOCUMENTS

| | | | |
|----|----------------|----|---------|
| CN | 109645617 | A | 4/2019 |
| CN | 209403674 | U | 9/2019 |
| FR | 3057741 | B3 | 4/2018 |
| GB | 2046077 | | 11/1980 |
| GB | 2377615 | B | 1/2003 |
| GB | 2550880 | A | 12/2017 |
| JP | 3217949 | | 9/2018 |
| KR | 100719159 | B1 | 5/2007 |
| KR | 20100038481 | A | 4/2010 |
| KR | 20160147227 | | 12/2016 |
| WO | WO 2012/031801 | | 3/2012 |

* cited by examiner

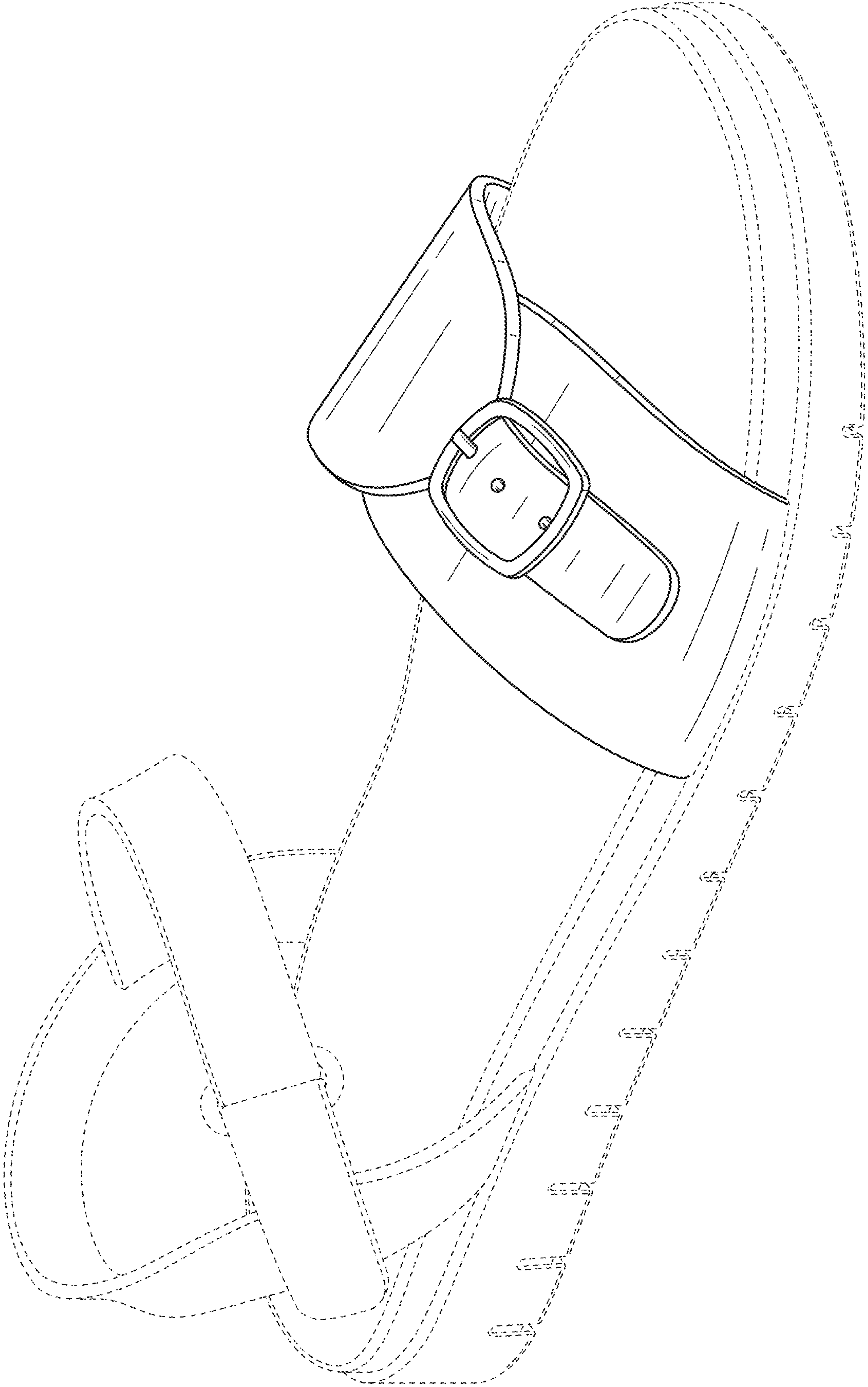


FIG. 1

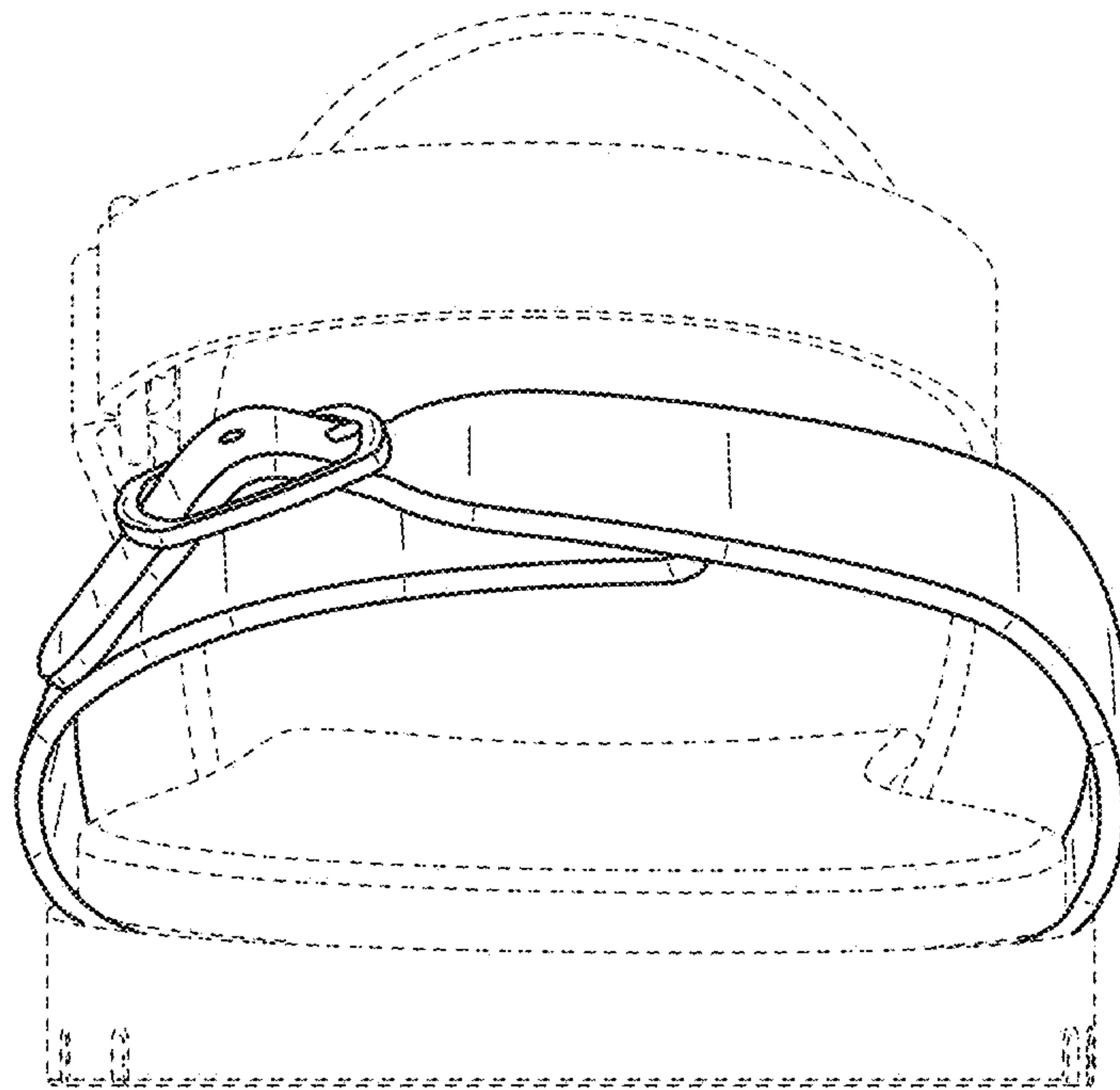


FIG. 2

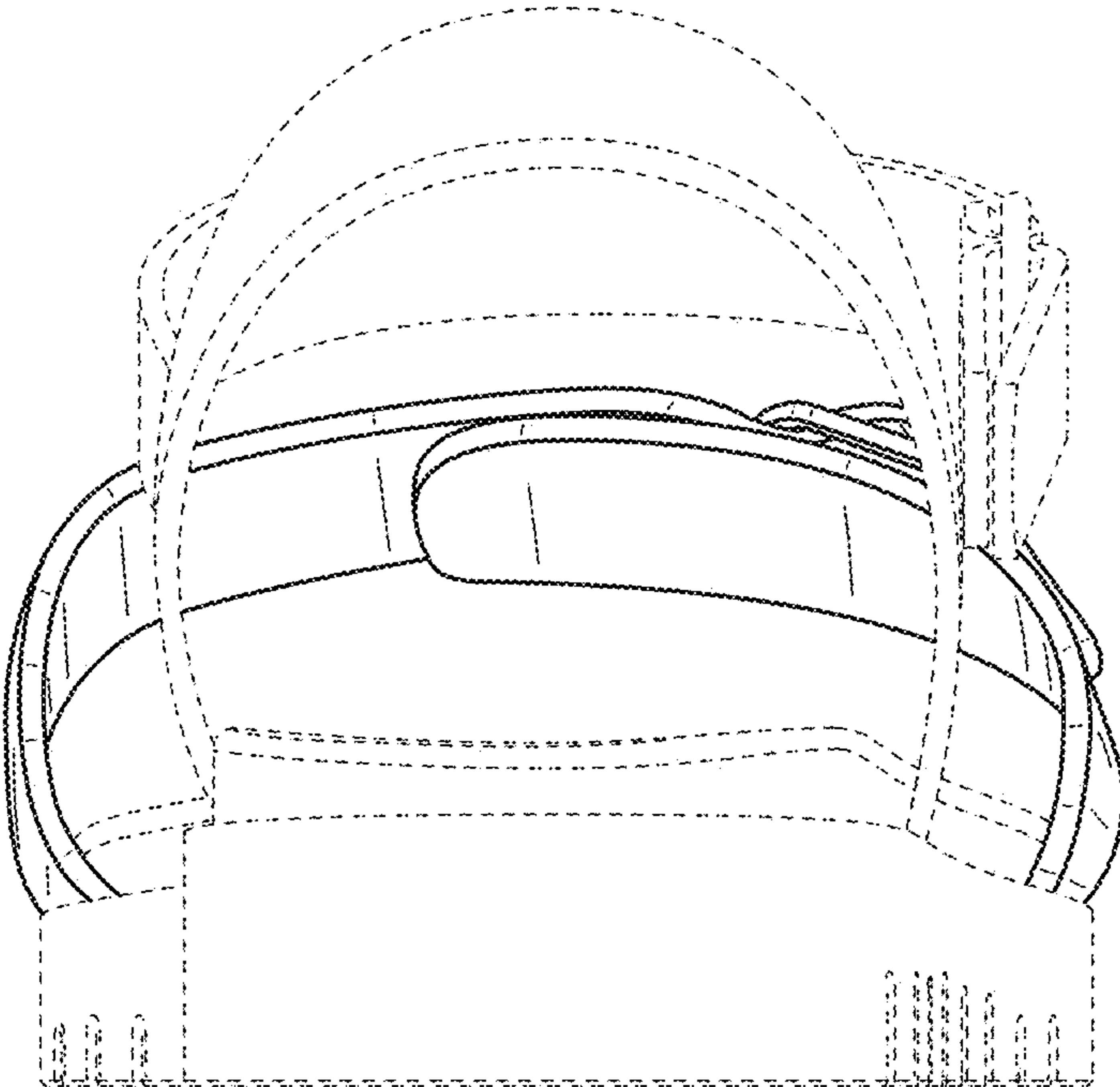


FIG. 3

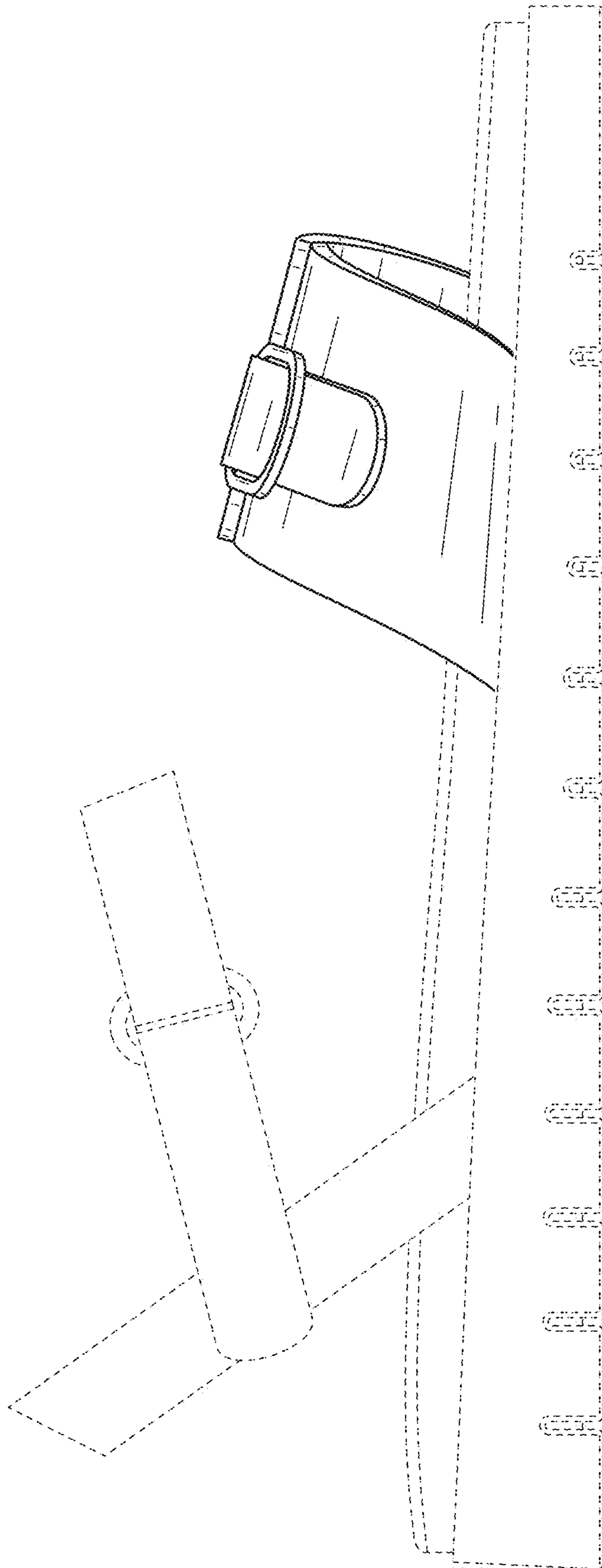


FIG. 4

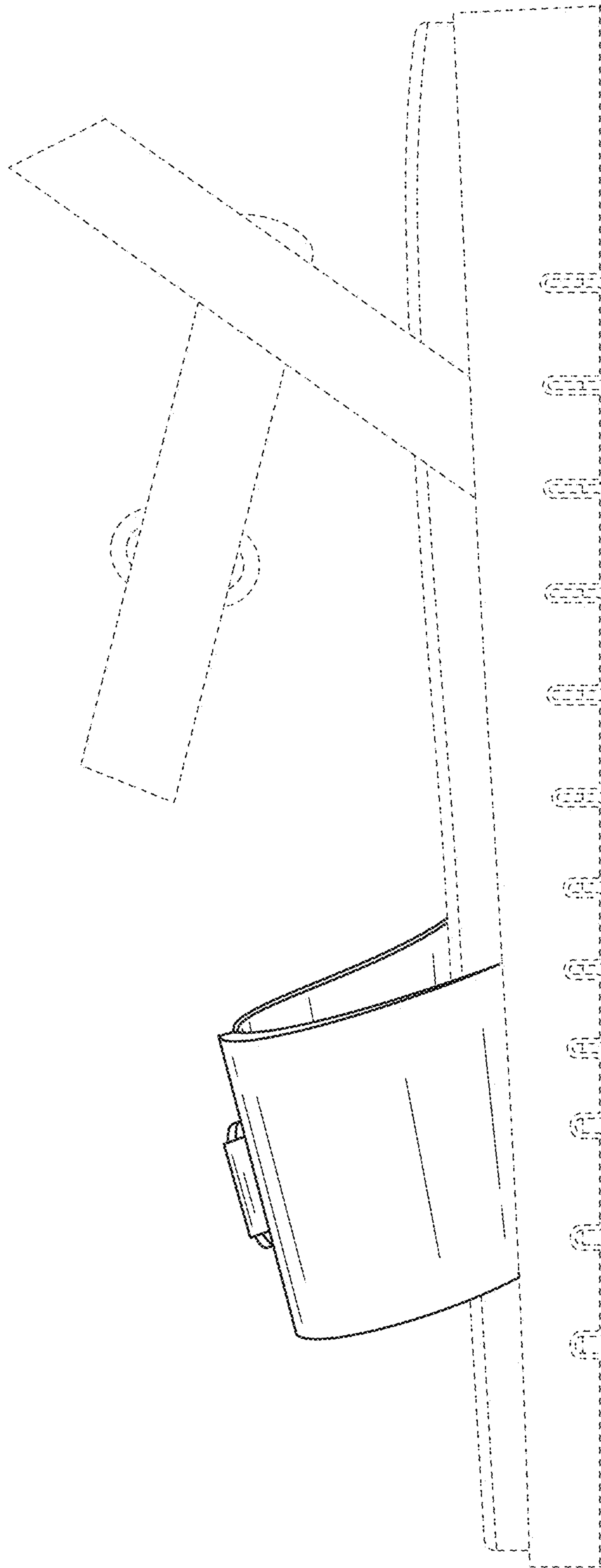


FIG. 5

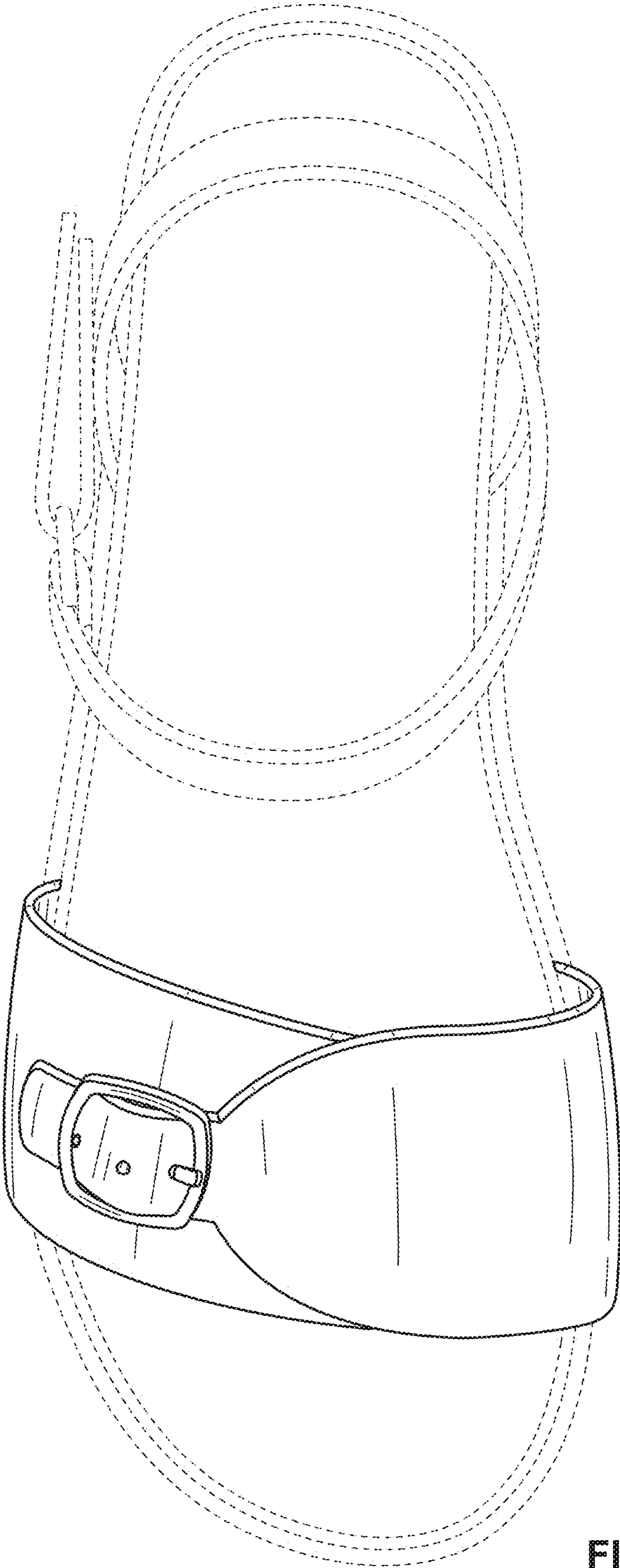


FIG. 6

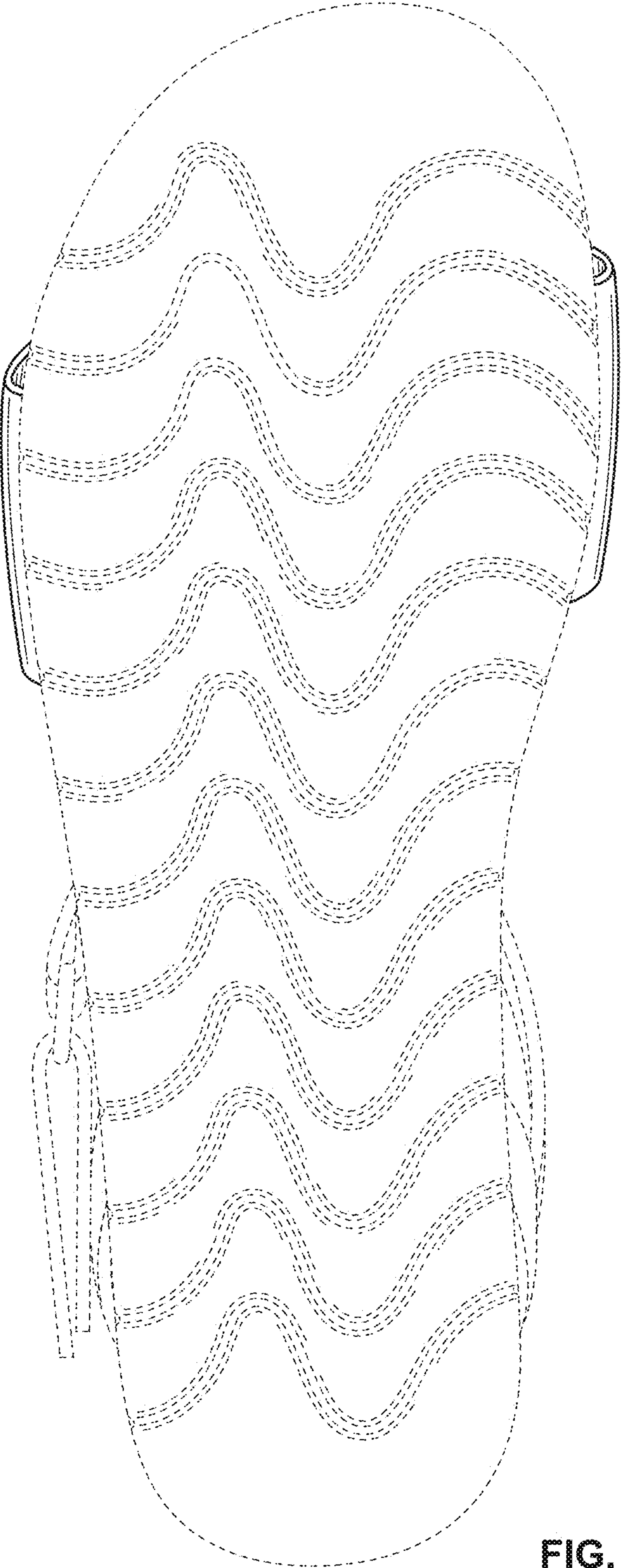


FIG. 7

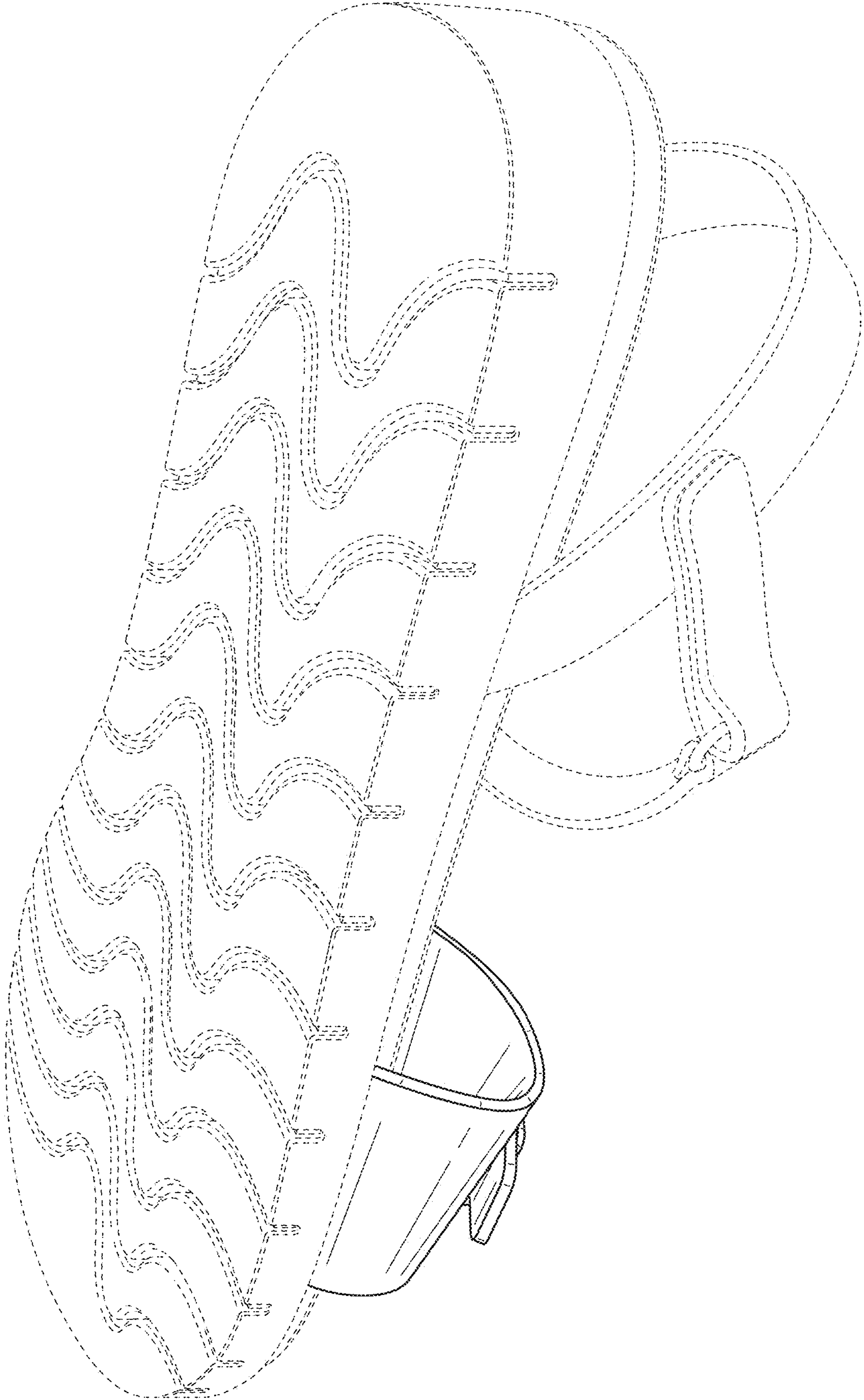


FIG. 8