



US00D976540S

(12) **United States Design Patent**  
**Qu**

(10) **Patent No.:** **US D976,540 S**

(45) **Date of Patent:** **\*\* Jan. 31, 2023**

(54) **SHOE**

(71) Applicant: **Jinxin Qu**, Weifang (CN)

(72) Inventor: **Jinxin Qu**, Weifang (CN)

(\*\*) Term: **15 Years**

(21) Appl. No.: **29/827,182**

(22) Filed: **Feb. 17, 2022**

(51) **LOC (14) Cl.** ..... **02-04**

(52) **U.S. Cl.**  
USPC ..... **D2/912**; D2/943; D2/953

(58) **Field of Classification Search**  
USPC ..... D2/896–900, 909–912, 920, 943, 944,  
D2/946, 953, 969, 970–974  
CPC ..... A43B 23/07; A43B 3/16; A43B 23/00;  
A43B 23/02; A43B 5/04; A43B 3/02  
See application file for complete search history.

(56) **References Cited**

**U.S. PATENT DOCUMENTS**

D253,319 S	*	11/1979	Dassler	.....	D2/960
D298,882 S	*	12/1988	Selbiger	.....	D2/970
D307,350 S	*	4/1990	Brown	.....	D2/970
D307,508 S	*	5/1990	Miller	.....	D2/970
D308,747 S	*	6/1990	Brinker	.....	D2/953
D312,722 S	*	12/1990	Miller	.....	D2/970
D317,824 S	*	7/1991	Hatfield	.....	D2/970
D329,323 S	*	9/1992	Rogers	.....	D2/912
D336,768 S	*	6/1993	Preskar	.....	D2/970
D339,223 S	*	9/1993	Crowley	.....	D2/912
D352,819 S	*	11/1994	DiSilvio	.....	D2/969
D356,665 S	*	3/1995	Lucarelli	.....	D2/954

D435,960 S	*	1/2001	Matis	.....	D2/970
D538,020 S	*	3/2007	Matis	.....	D2/969
D575,044 S	*	8/2008	Alfaro	.....	D2/972
D586,094 S	*	2/2009	Banik	.....	D2/969
D594,204 S	*	6/2009	Schoenborn	.....	D2/969
D666,390 S	*	9/2012	Van Zyll De Jong	.....	D2/951
D679,899 S	*	4/2013	Taestensen	.....	D2/951
D685,165 S		7/2013	Taylor		
D686,805 S		7/2013	Day, Jr.		
D865,345 S	*	11/2019	Taneva	.....	D2/971
D908,322 S		1/2021	Foust		

\* cited by examiner

*Primary Examiner* — Rashida C. Walshon  
(74) *Attorney, Agent, or Firm* — Che-Yang Chen; Law Office of Michael Chen

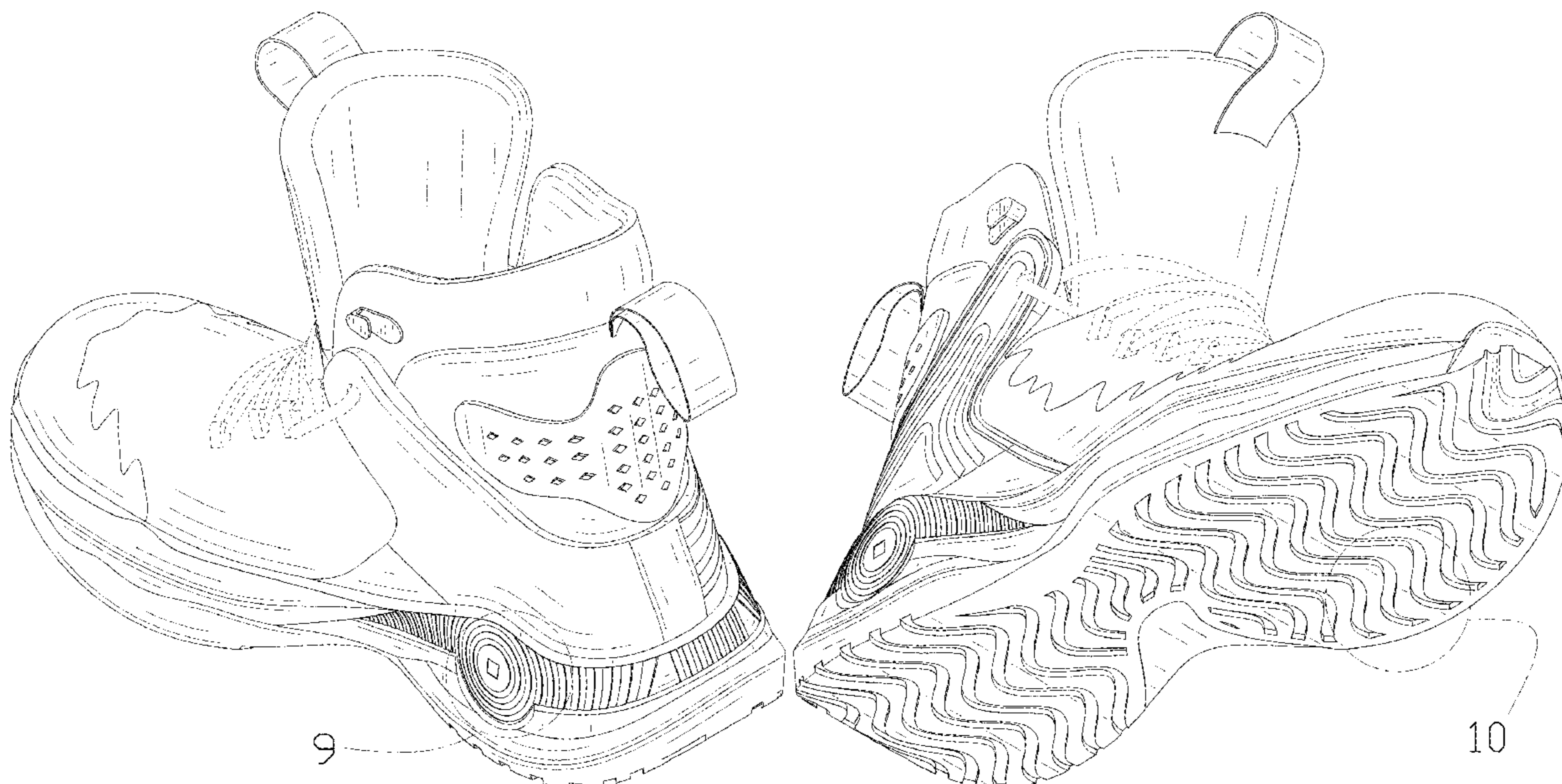
(57) **CLAIM**

The ornamental design for a shoe, as shown and described.

**DESCRIPTION**

FIG. 1 is a perspective view of the shoe showing my new design;  
FIG. 2 is a perspective view thereof from another angle;  
FIG. 3 is a front elevational view thereof;  
FIG. 4 is a rear elevational view thereof;  
FIG. 5 is a left side elevational view thereof;  
FIG. 6 is a right side elevational view thereof;  
FIG. 7 is a top plan view thereof;  
FIG. 8 is a bottom plan view thereof;  
FIG. 9 is a partial enlarged view of portion 9 in FIG. 1;  
FIG. 10 is a partial enlarged view of portion 10 in FIG. 2;  
and,  
FIG. 11 is a partial enlarged view of portion 11 in FIG. 6.

**1 Claim, 11 Drawing Sheets**



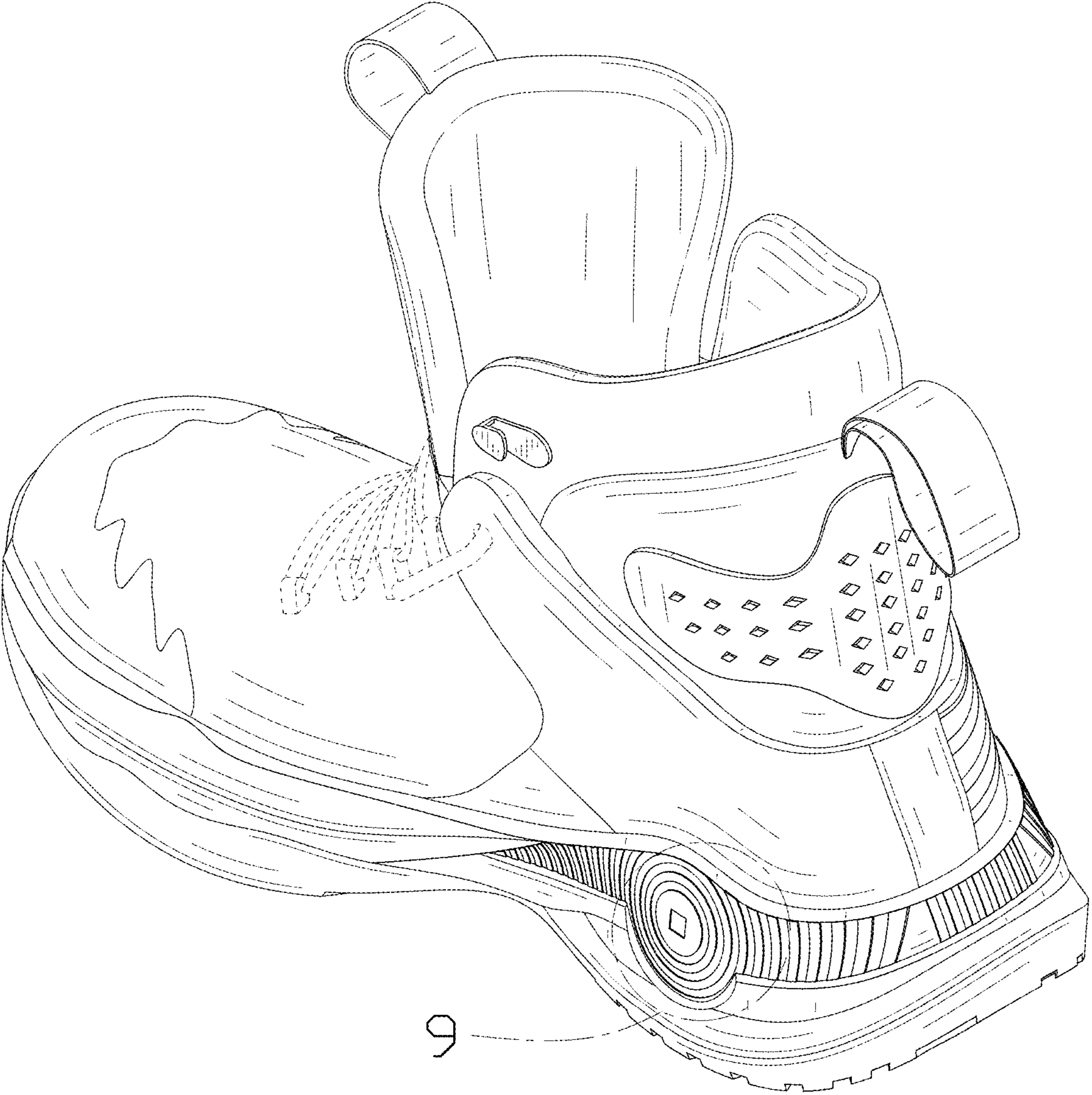


FIG. 1

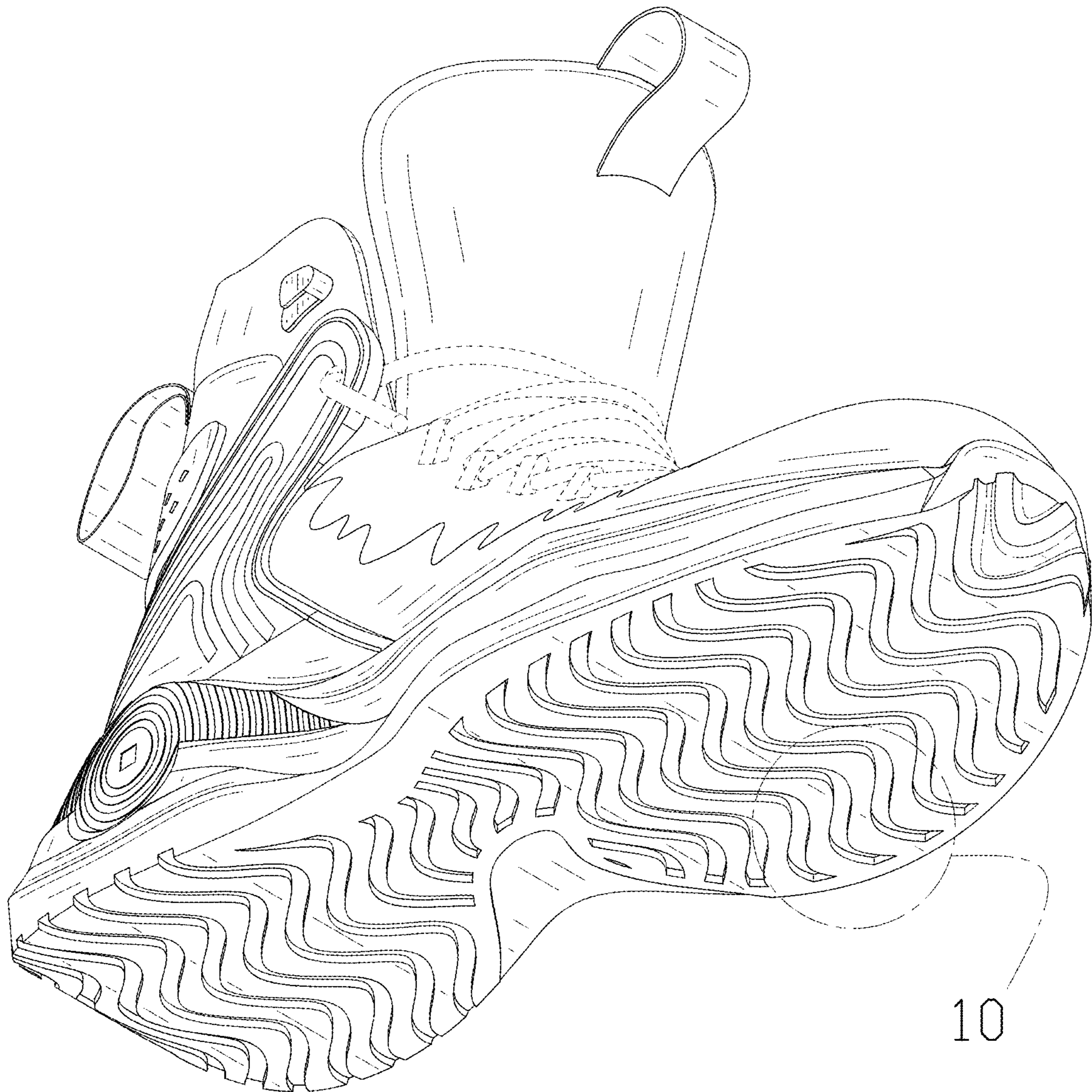


FIG. 2

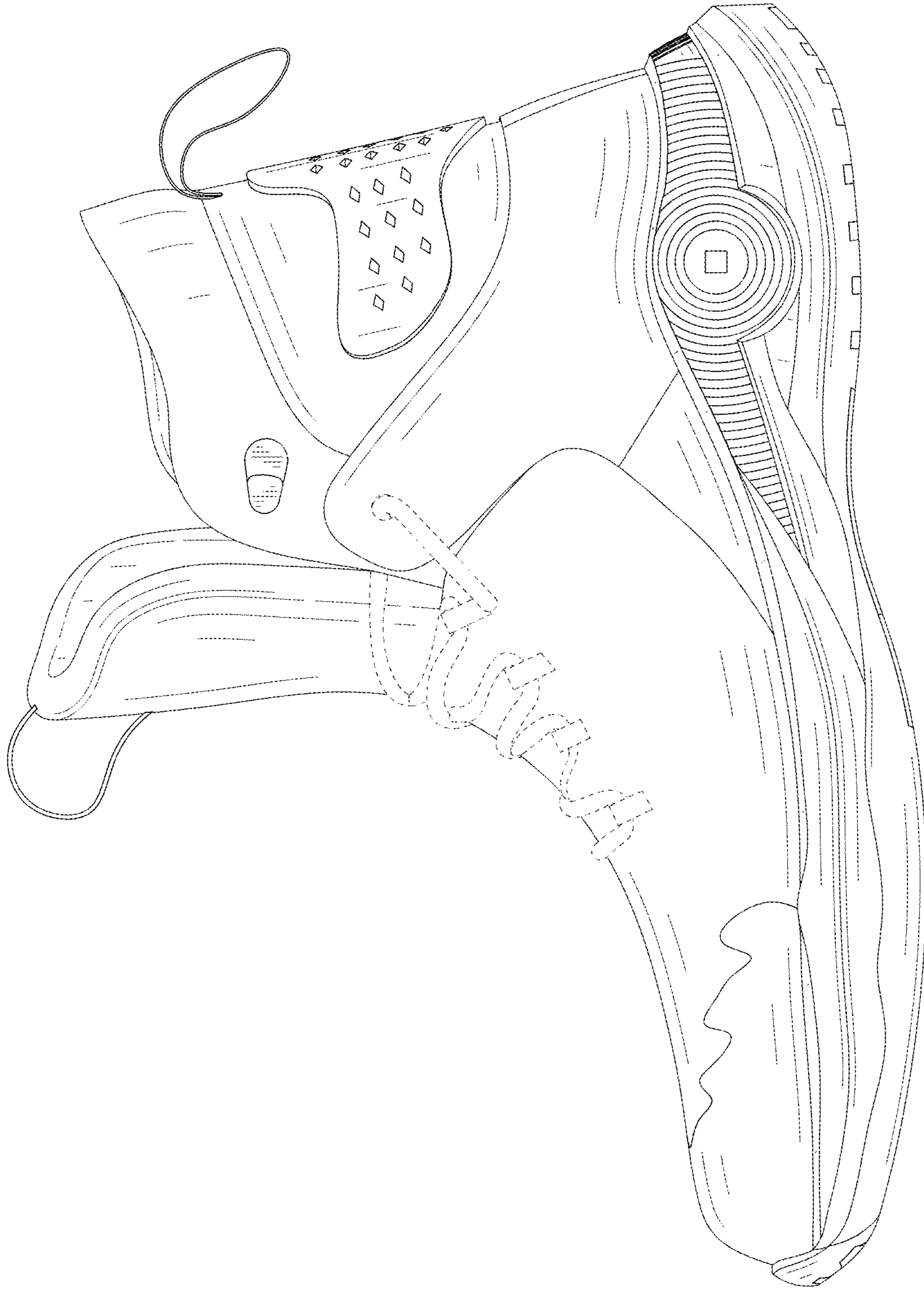


FIG. 3

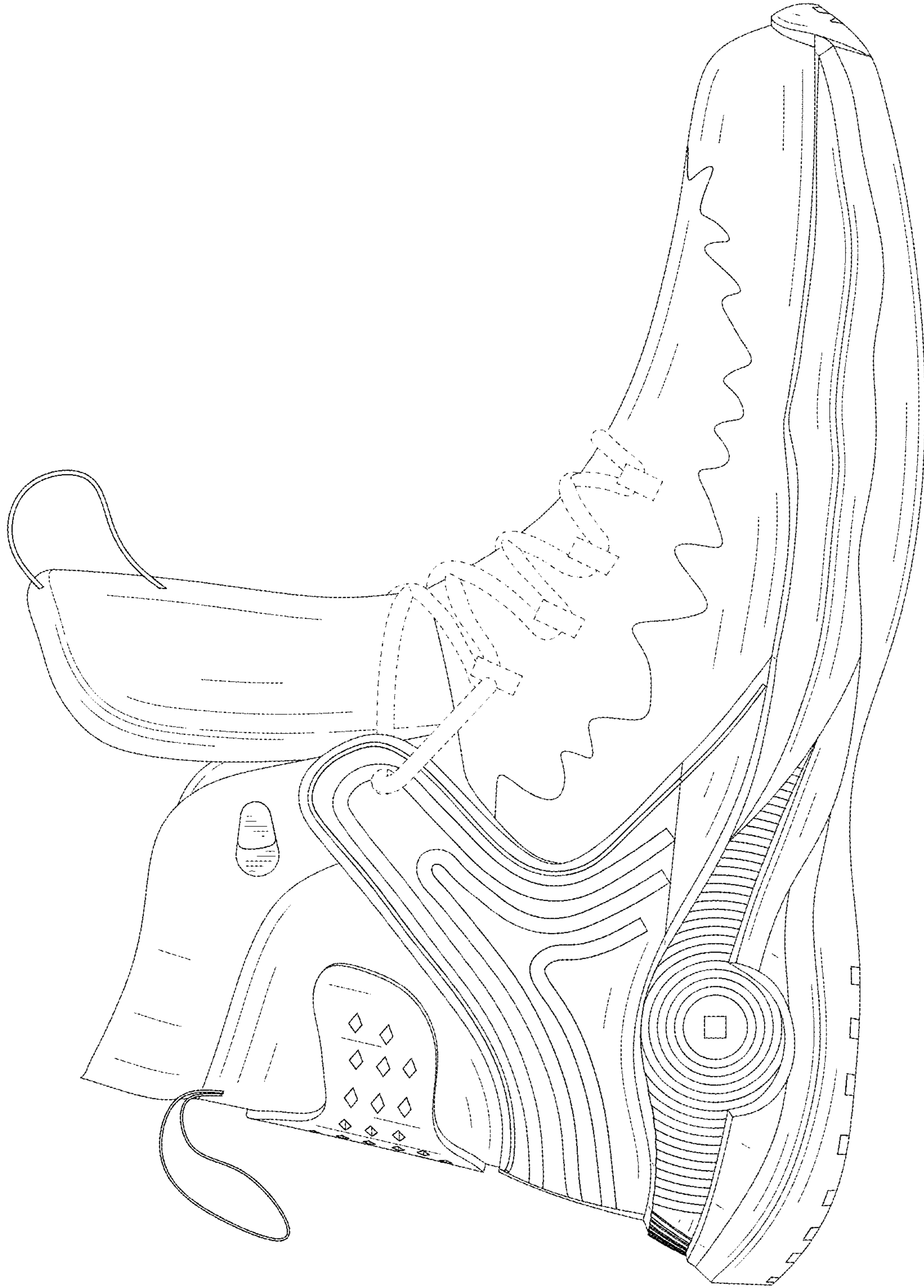


FIG. 4

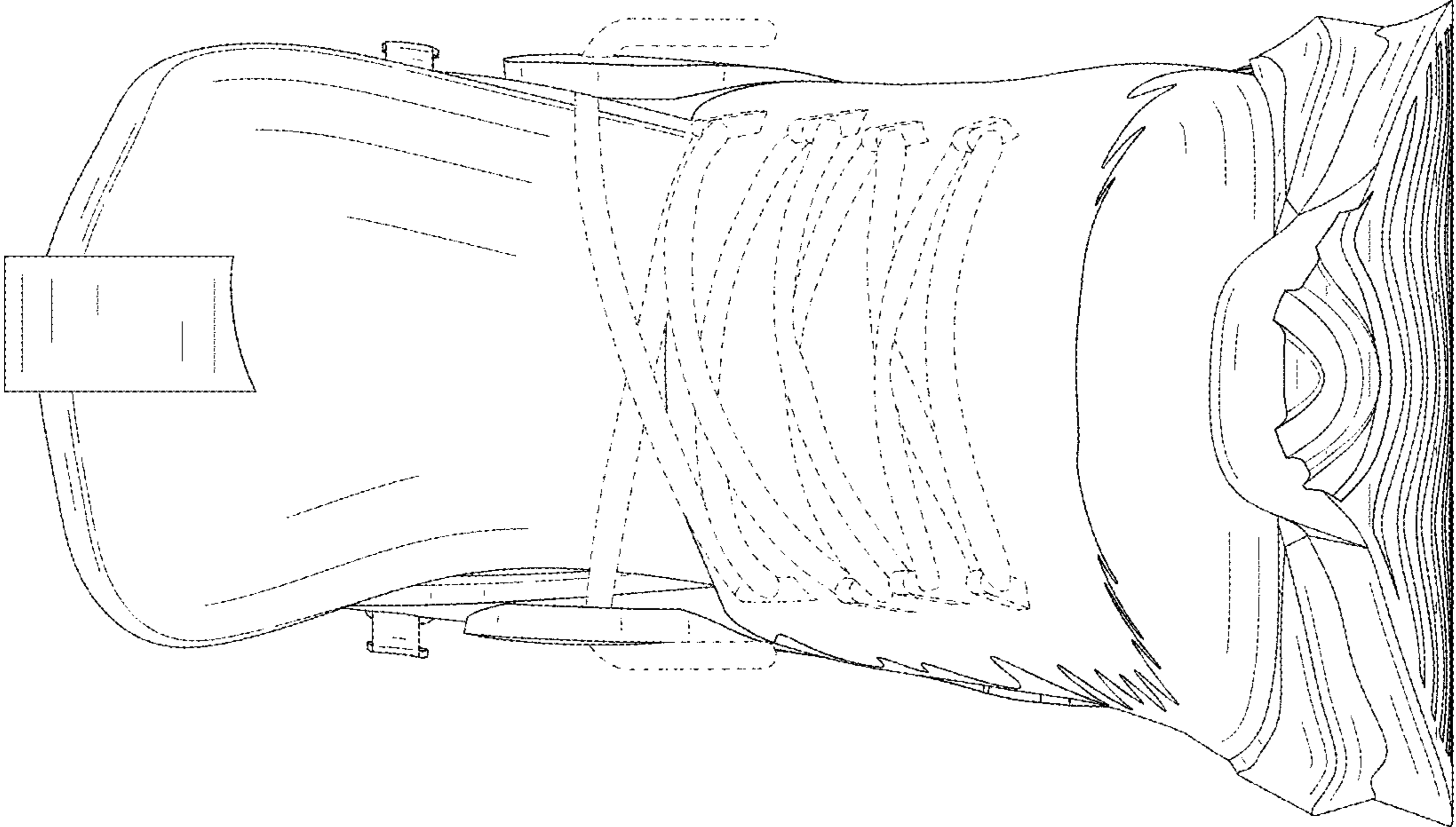


FIG. 5

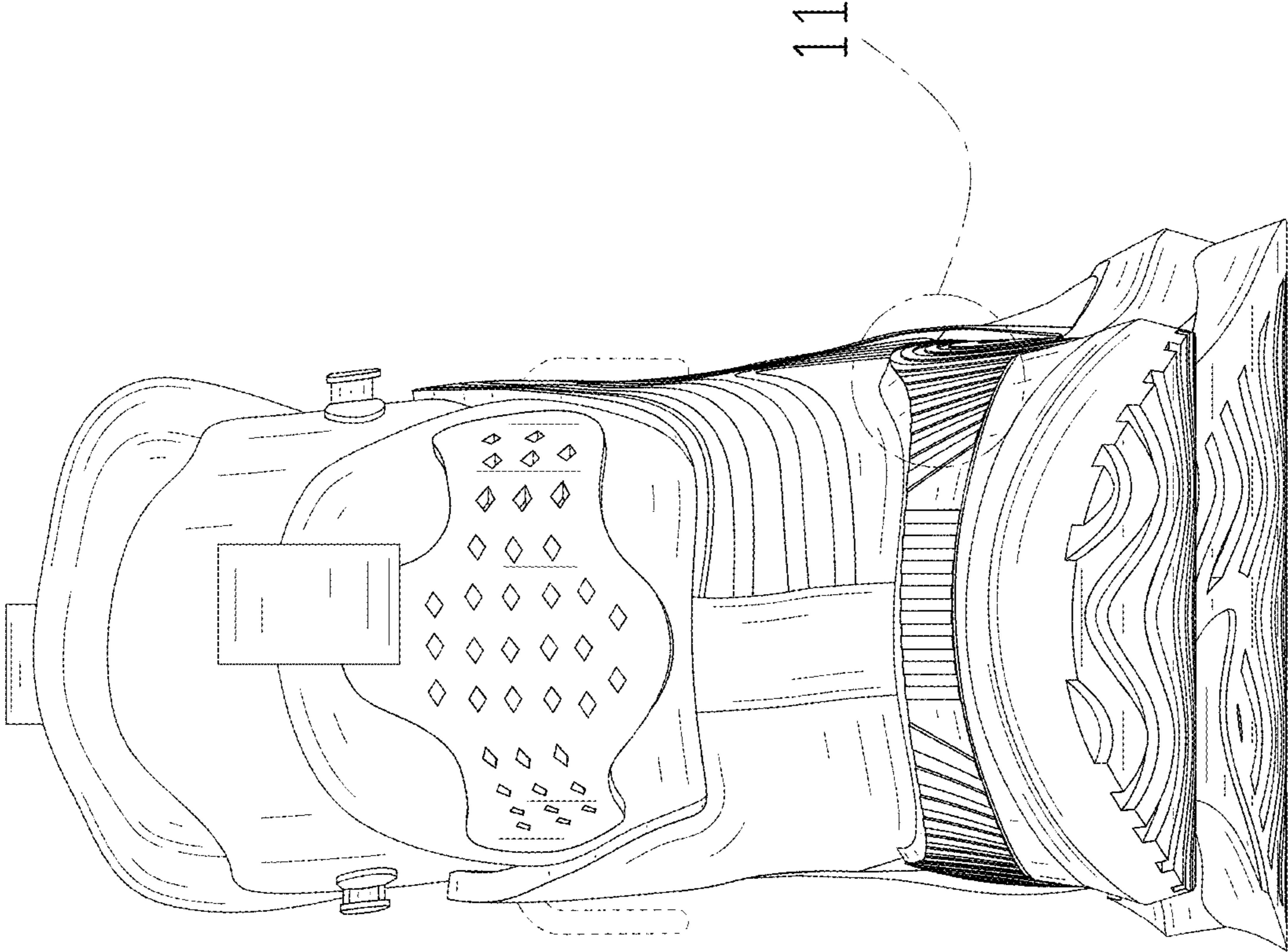


FIG. 6

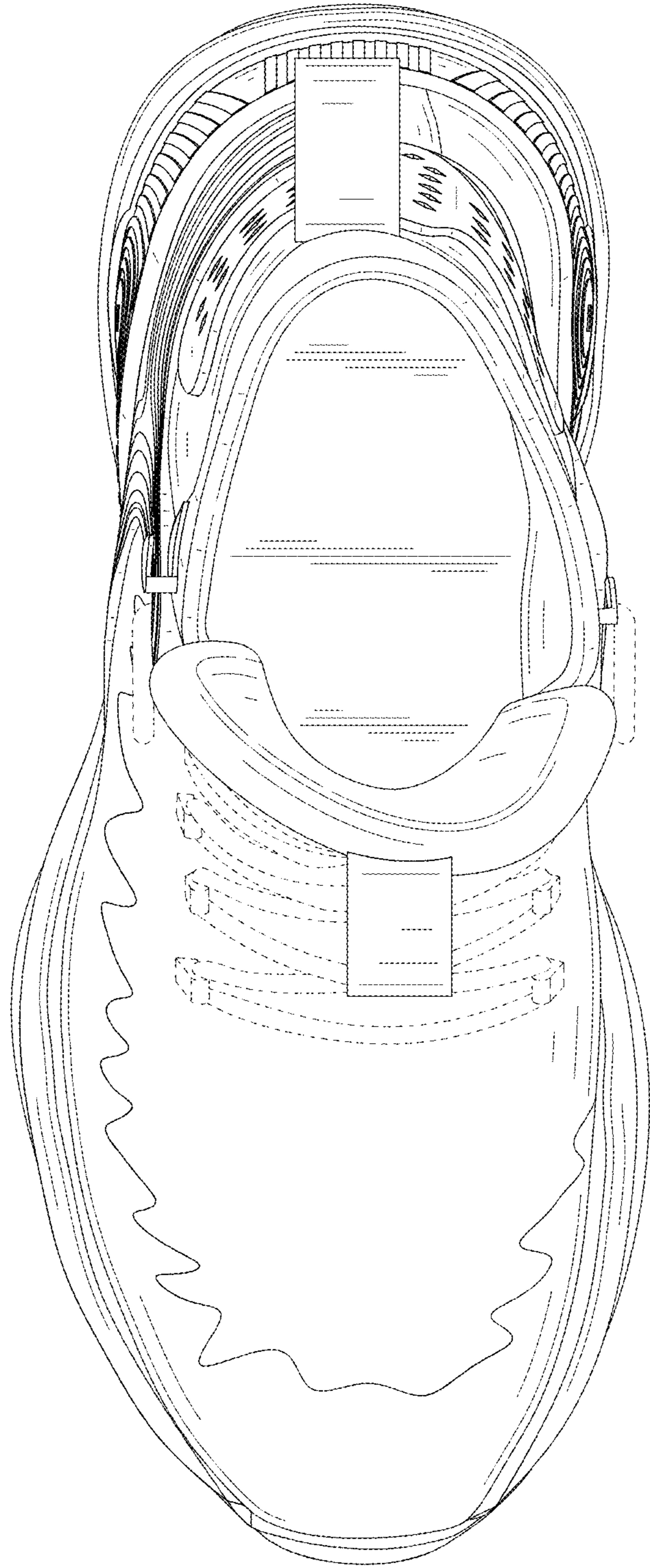


FIG. 7



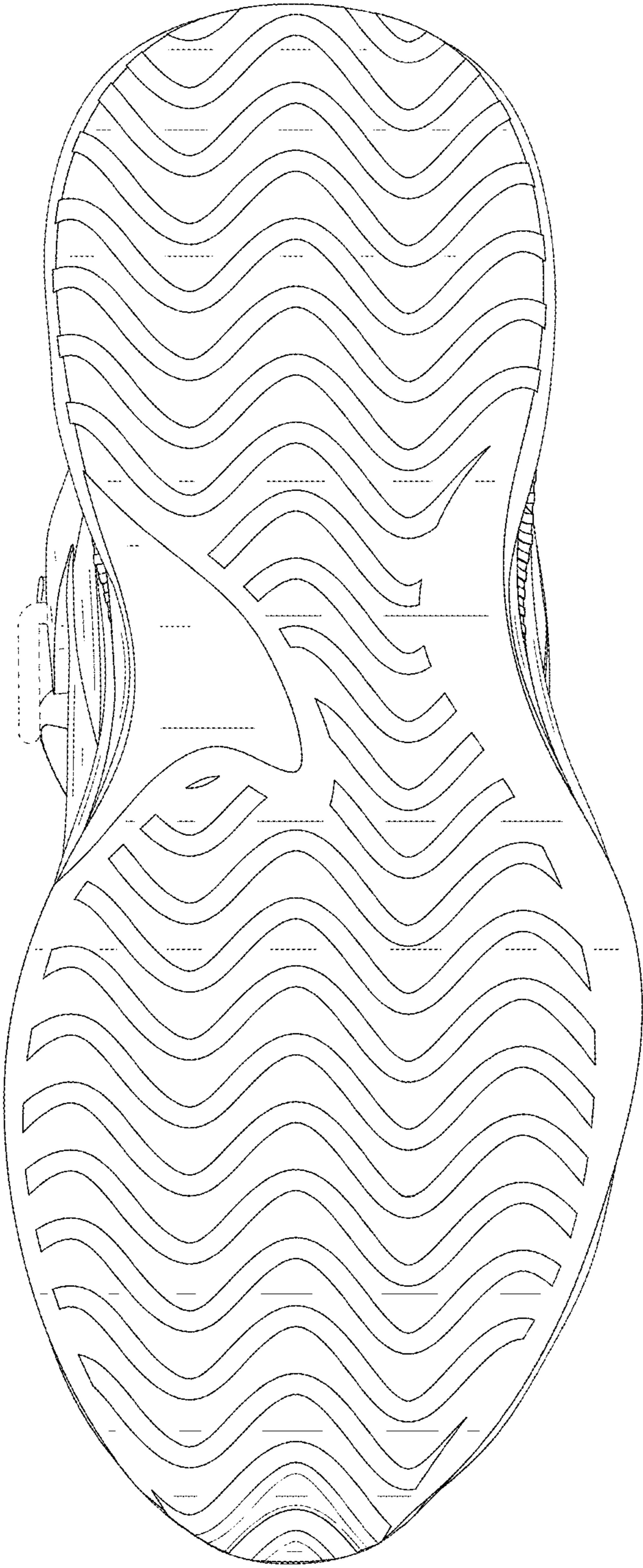


FIG. 8

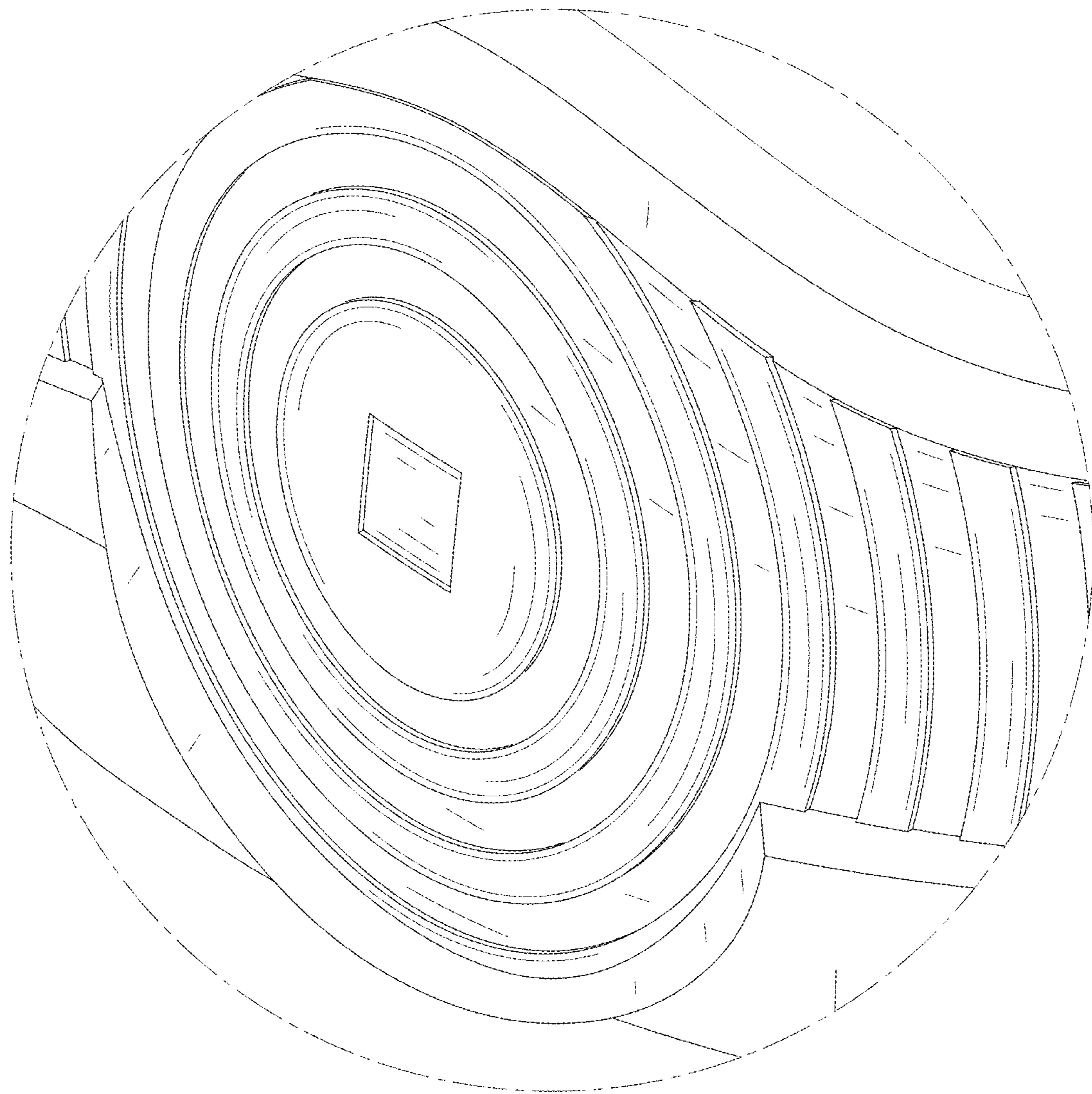


FIG. 9

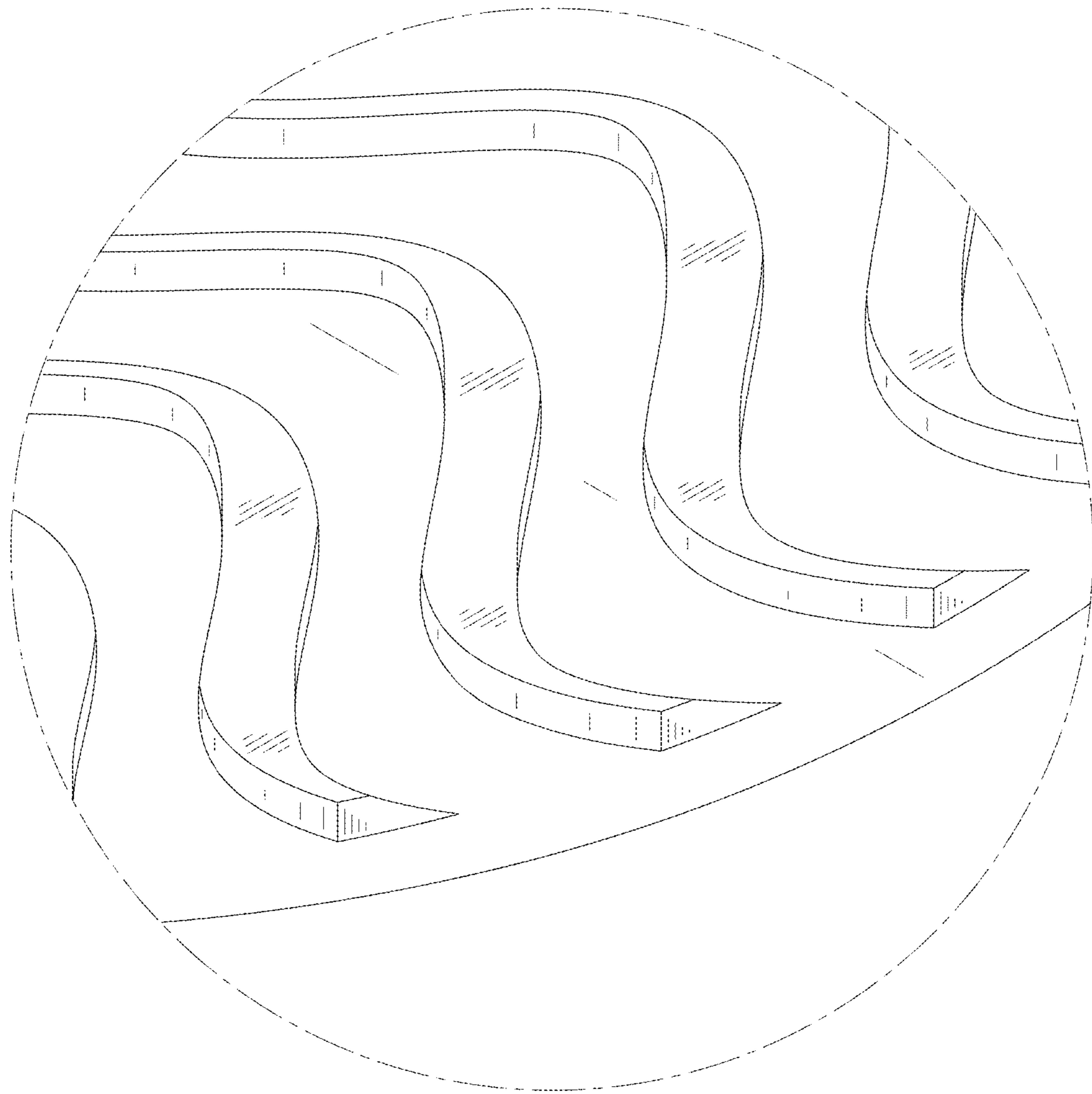


FIG. 10

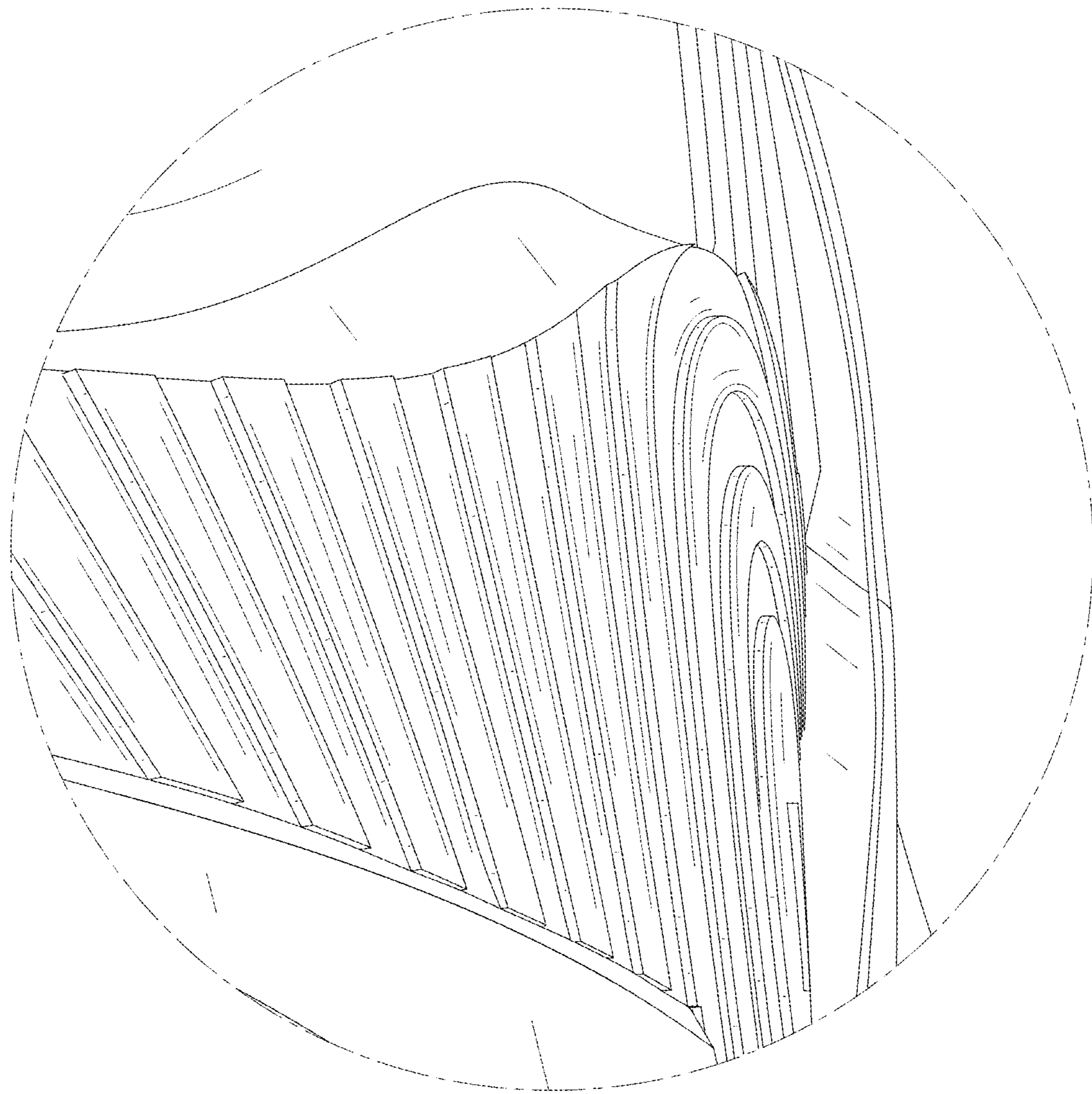


FIG. 11