



US00D976533S

(12) **United States Design Patent** (10) **Patent No.:** **US D976,533 S**  
**Chen** (45) **Date of Patent:** **\*\* Jan. 31, 2023**

(54) **ATHLETIC PANT**

(71) Applicant: **Quanzhou Lejia Trading Co., Ltd.,**  
Quanzhou (CN)

(72) Inventor: **Rongyi Chen,** Quanzhou (CN)

(\*\*) Term: **15 Years**

(21) Appl. No.: **29/858,120**

(22) Filed: **Oct. 28, 2022**

(51) **LOC (14) Cl.** ..... **02-02**

(52) **U.S. Cl.**  
USPC ..... **D2/742**

(58) **Field of Classification Search**  
USPC ..... D2/742, 731, 728  
CPC .. A41F 9/007; A41D 1/06; A41D 1/08; A41D  
27/22

See application file for complete search history.

(56) **References Cited**

**U.S. PATENT DOCUMENTS**

D473,694 S	4/2003	Lyden	
D602,229 S	10/2009	Clement	
D609,430 S	2/2010	Clement	
D683,522 S	6/2013	Pasloski	
D730,016 S	5/2015	Murphy	
D765,347 S	9/2016	Pasloski	
D774,279 S *	12/2016	Hawkins	D2/731
D779,788 S	2/2017	Murphy	
D787,159 S *	5/2017	Lago	D2/742
D802,258 S *	11/2017	Lomax	D2/742
D822,949 S *	7/2018	Emanuel	D2/742
D825,890 S *	8/2018	Scott	D2/742
D846,836 S	4/2019	Cristiani	
10,455,877 B2 *	10/2019	Moore	A41D 7/005
D891,039 S *	7/2020	Burchette	D2/742
D936,933 S	11/2021	Dixon	
D956,389 S	7/2022	Majeed Sparks	
D968,756 S *	11/2022	Chen	D2/731

(Continued)

**OTHER PUBLICATIONS**

ATG By Wrangler™ Men's Reinforced, reviewed 2017 [online],  
(retrieved Nov. 16, 2022). Retrieved from the internet, <https://www.wrangler.com/shop/atg-by-wrangler-mens-reinforced-utility-pant-NS857U.html> (Year: 2017).\*

(Continued)

*Primary Examiner* — Kevin K Rudzinski

*Assistant Examiner* — J. Thorn, Sr.

(74) *Attorney, Agent, or Firm* — Rumit Ranjit Kanakia

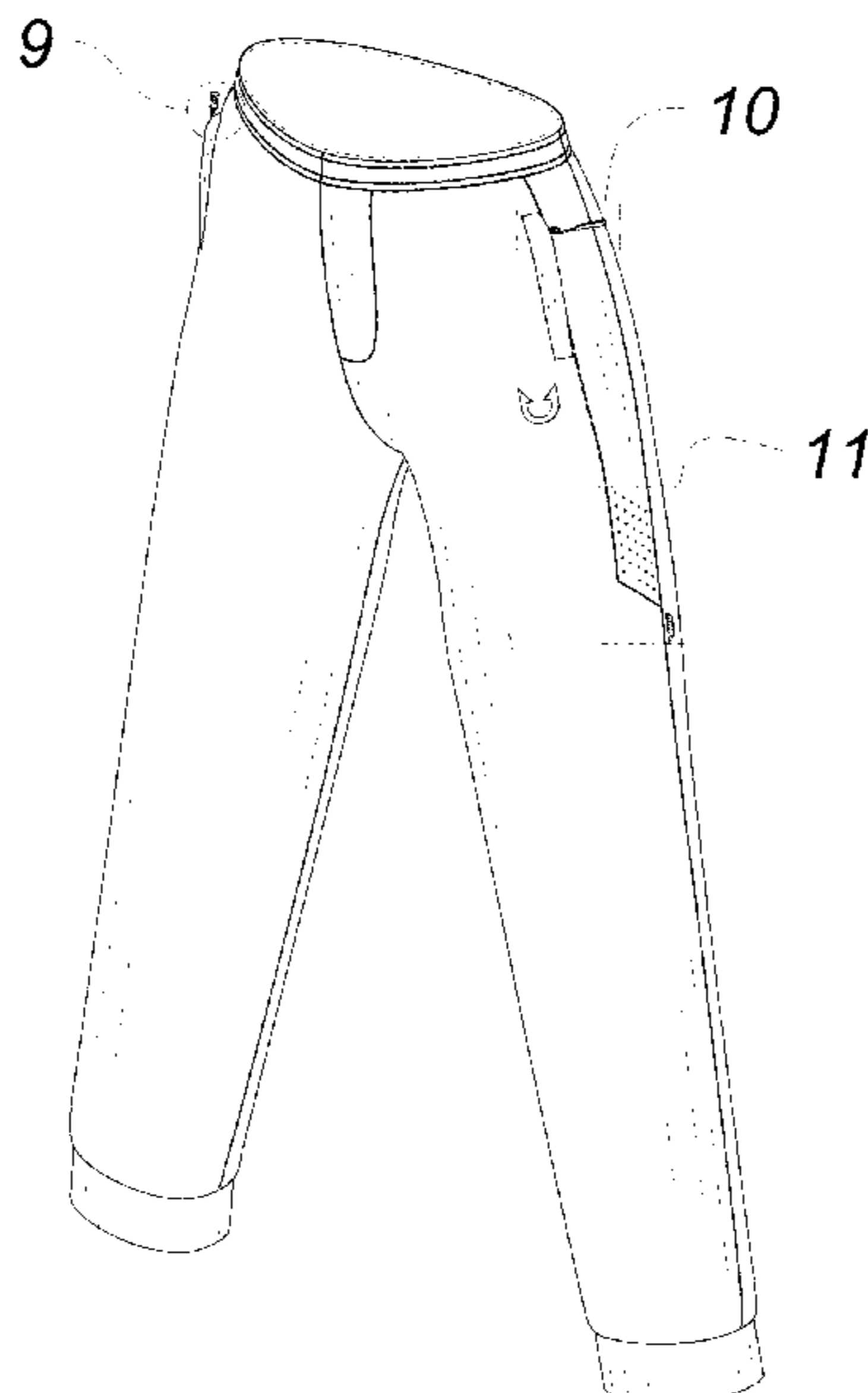
(57) **CLAIM**

The ornamental design for athletic pant, as shown and described.

**DESCRIPTION**

FIG. 1 is a front perspective view of athletic pant showing my new design;  
FIG. 2 is a rear perspective view thereof;  
FIG. 3 is a front elevational view thereof;  
FIG. 4 is a rear elevational view thereof;  
FIG. 5 is a left side view thereof;  
FIG. 6 is a right side view thereof;  
FIG. 7 is a top plan view thereof;  
FIG. 8 is a bottom plan view thereof;  
FIG. 9 is a partial enlarged view of FIG. 1;  
FIG. 10 is a partial enlarged view of FIG. 1;  
FIG. 11 is a partial enlarged view of FIG. 1;  
FIG. 12 is a partial enlarged view of FIG. 2;  
FIG. 13 is a partial enlarged view of FIG. 2;  
FIG. 14 is a partial enlarged view of FIG. 2;  
FIG. 15 is a partial enlarged view of FIG. 4;  
FIG. 16 is a partial enlarged view of FIG. 5;  
FIG. 17 is a partial enlarged view of FIG. 7; and,  
FIG. 18 is a partial enlarged view of FIG. 7.  
The broken lines in the figures represent the boundary of the feature to be protected.

**1 Claim, 13 Drawing Sheets**



(56)

**References Cited**

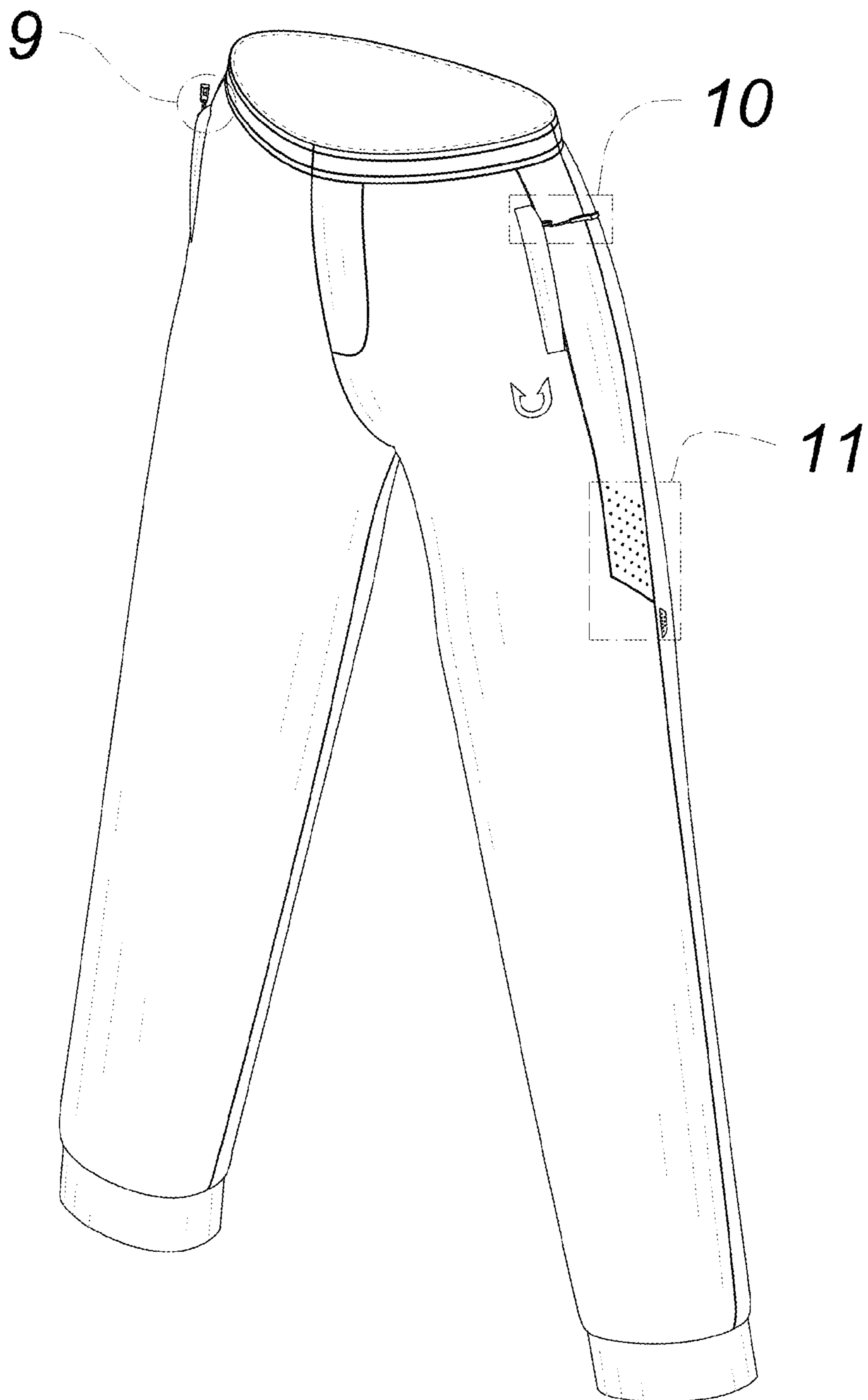
U.S. PATENT DOCUMENTS

2011/0131705 A1\* 6/2011 Waldman ..... A41F 9/00  
2/221  
2018/0168250 A1\* 6/2018 Ly ..... A41D 15/002  
2019/0274374 A1\* 9/2019 Marconi ..... A41B 9/026

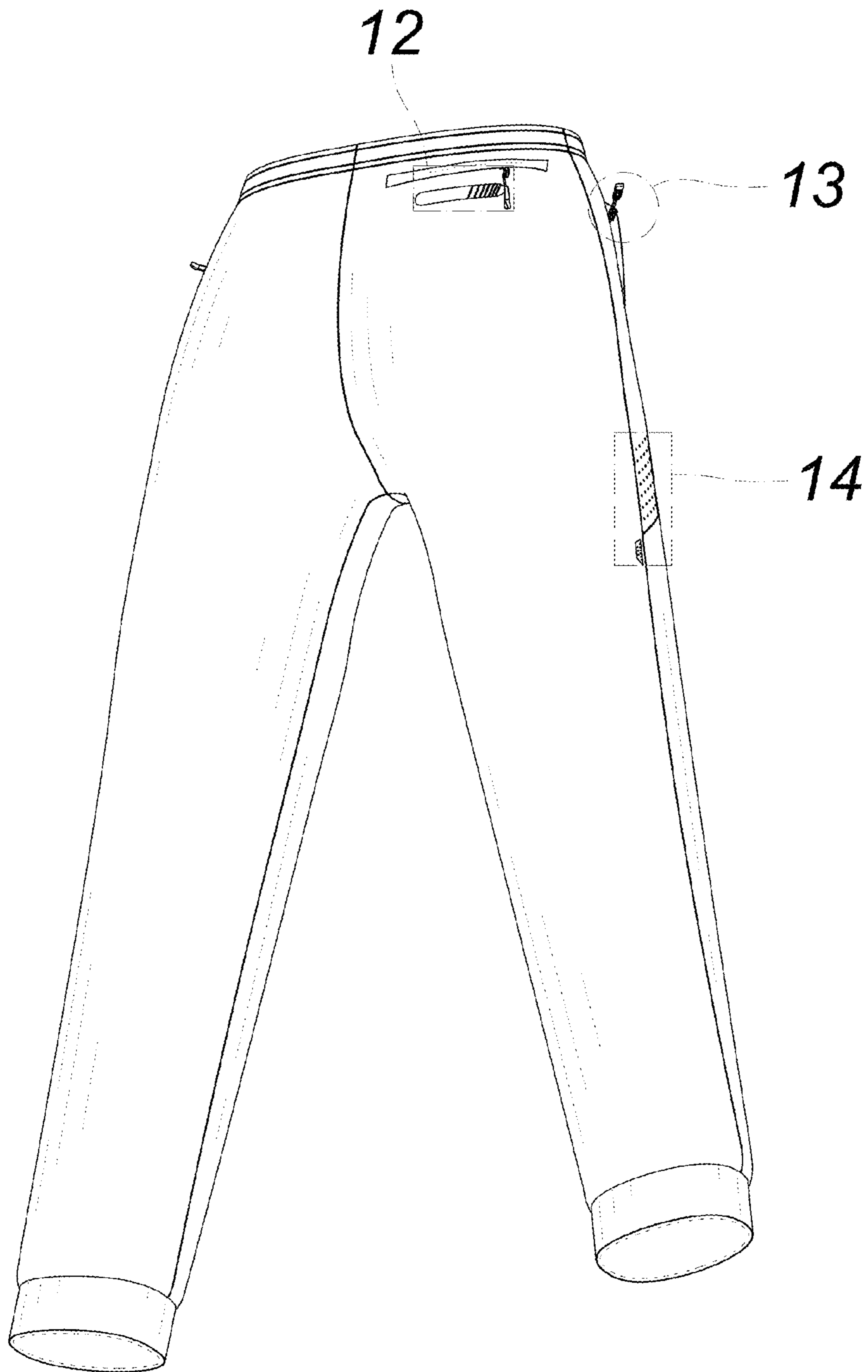
OTHER PUBLICATIONS

CQR Men's Tactical Pants, posted Jan. 28, 2021 [online], (retrieved Nov. 16, 2022). Retrieved from the internet, [https://www.amazon.com/dp/B08V8PHC1R/ref=sspa\\_dk\\_detail\\_0?pd\\_rd\\_i=B08V8N8G2Y&pd\\_rd\\_w=rkJC2&content-id=amzn1.sym.bff6e147-54ad-4b%E2%80%A6](https://www.amazon.com/dp/B08V8PHC1R/ref=sspa_dk_detail_0?pd_rd_i=B08V8N8G2Y&pd_rd_w=rkJC2&content-id=amzn1.sym.bff6e147-54ad-4b%E2%80%A6) (Year: 2021).\*

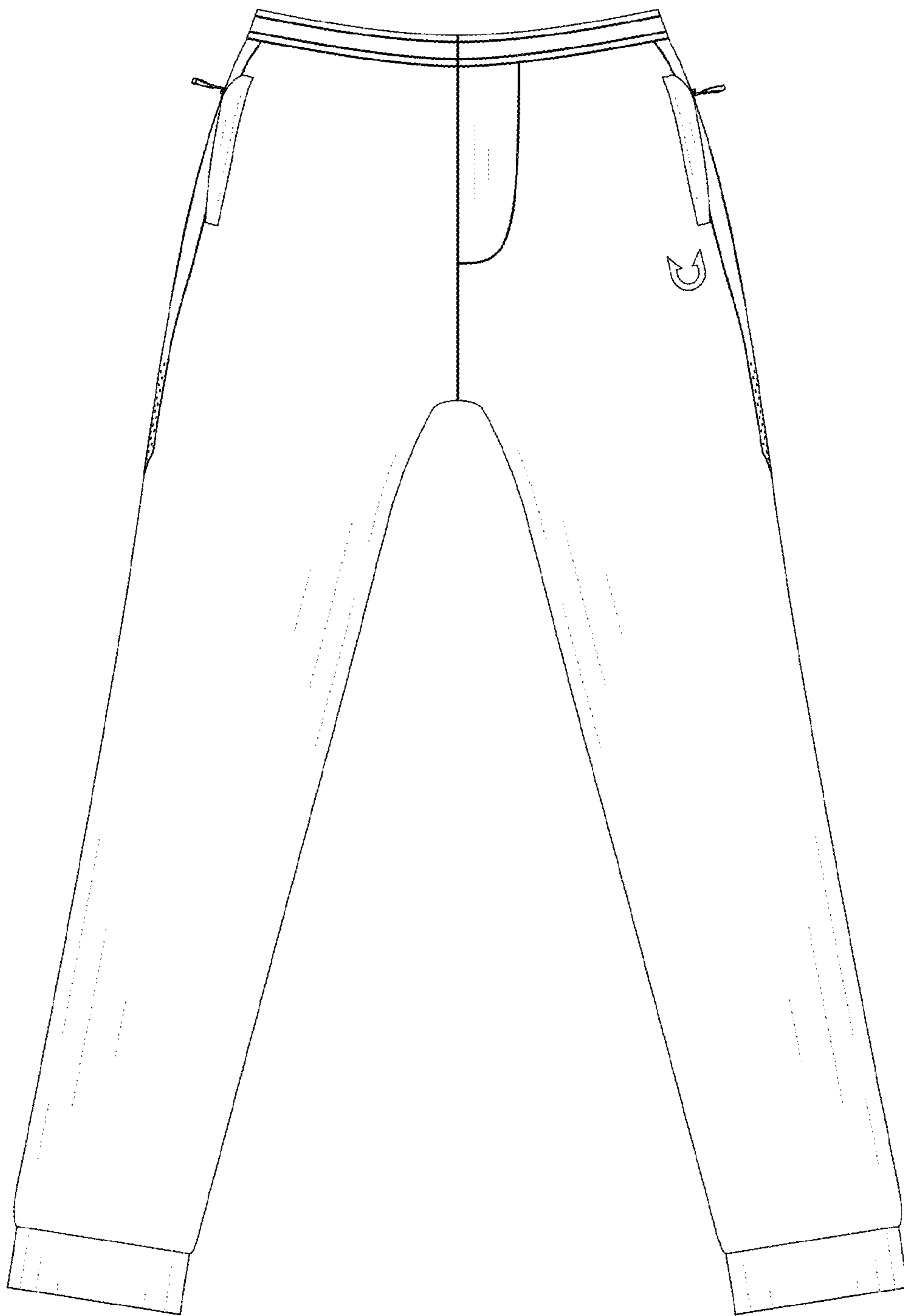
\* cited by examiner



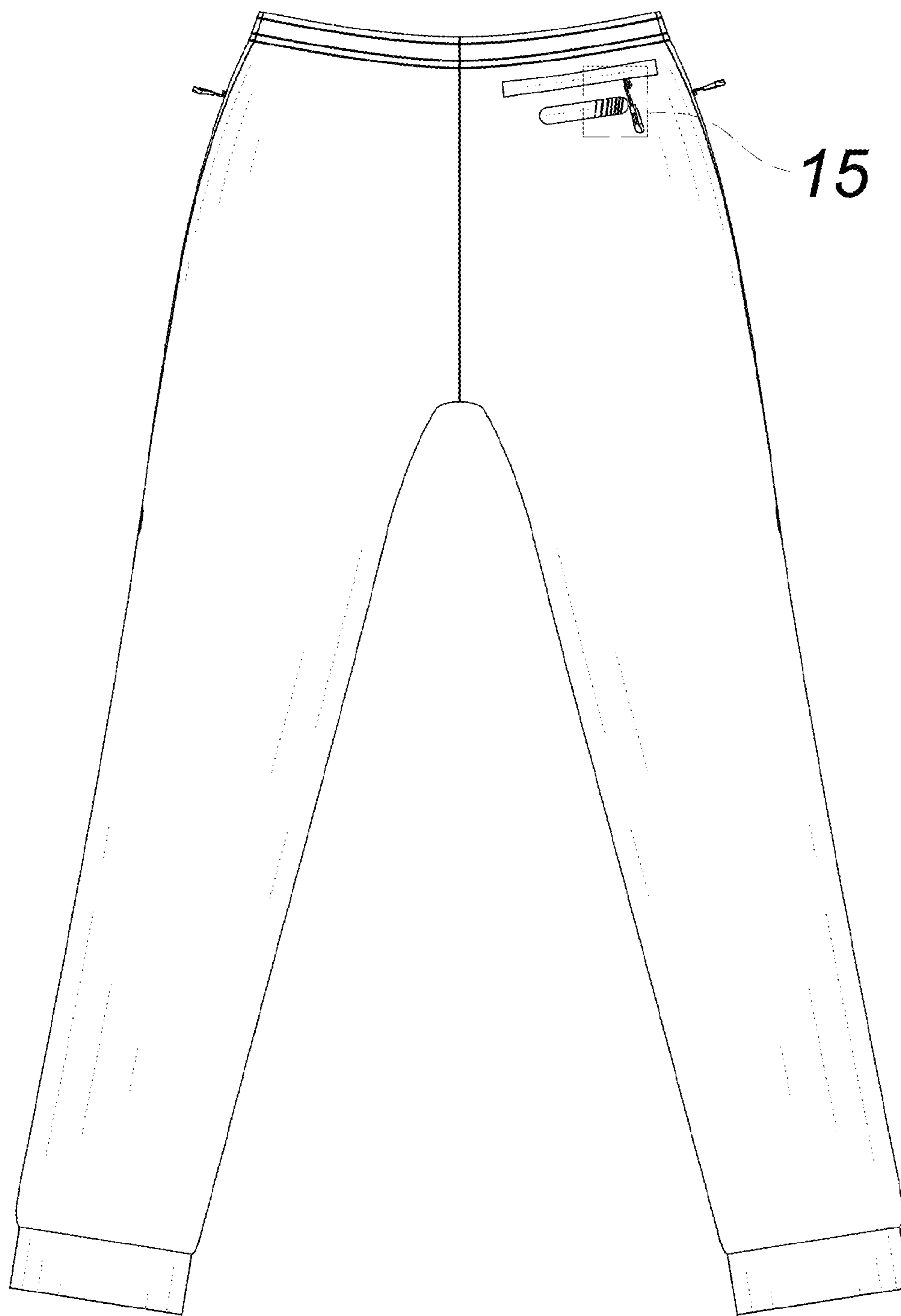
**FIG. 1**



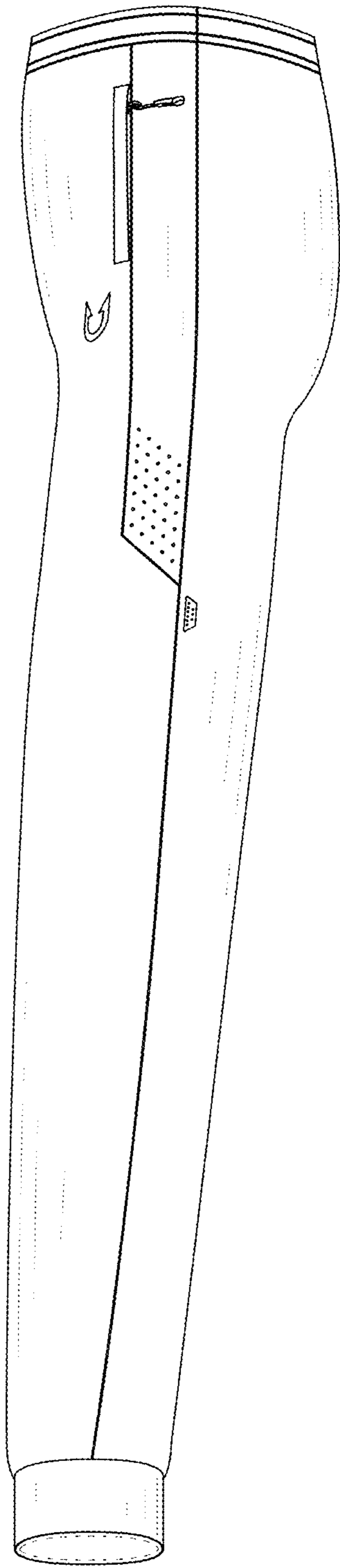
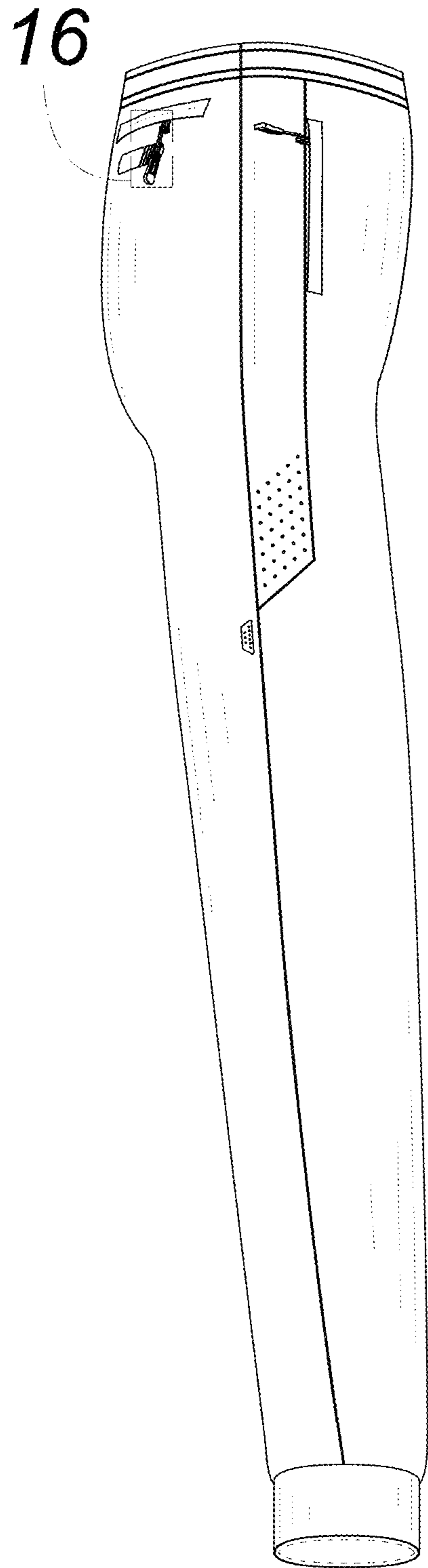
**FIG. 2**



**FIG. 3**



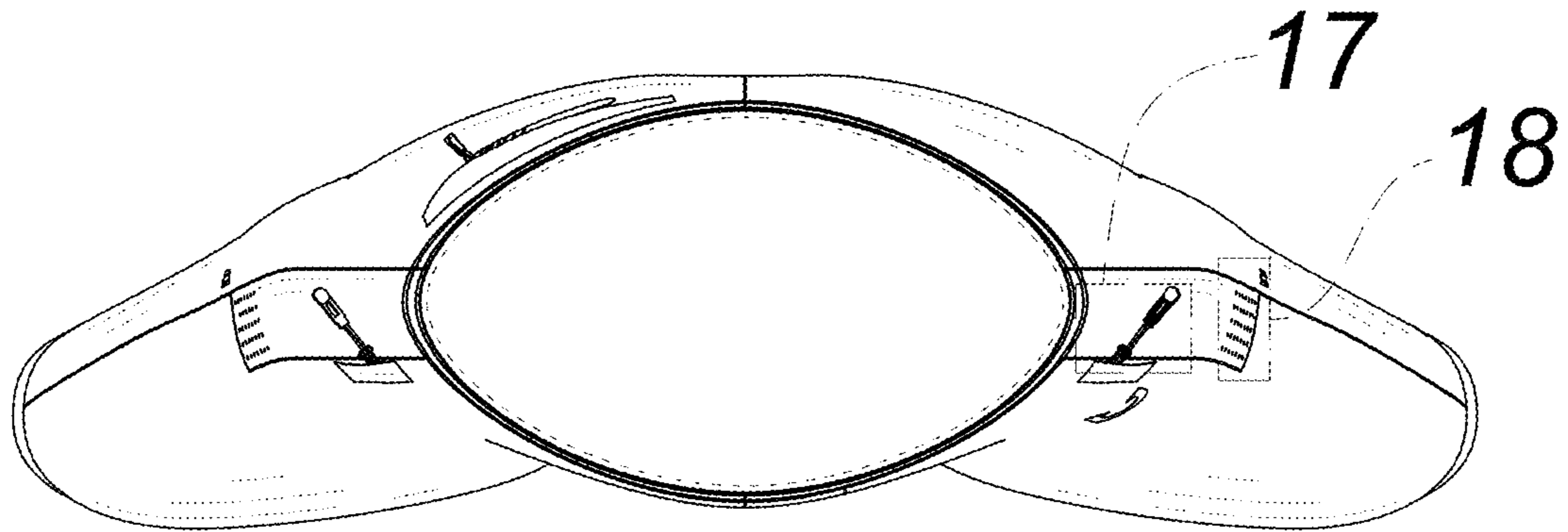
**FIG. 4**



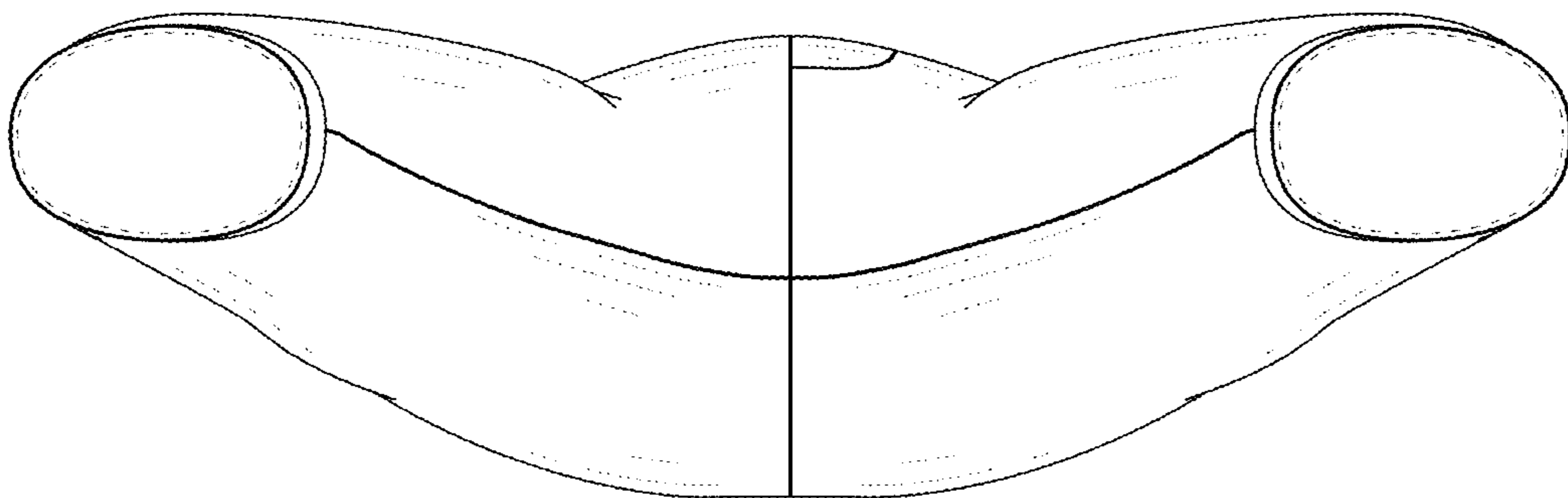
**FIG. 5**

**FIG. 6**



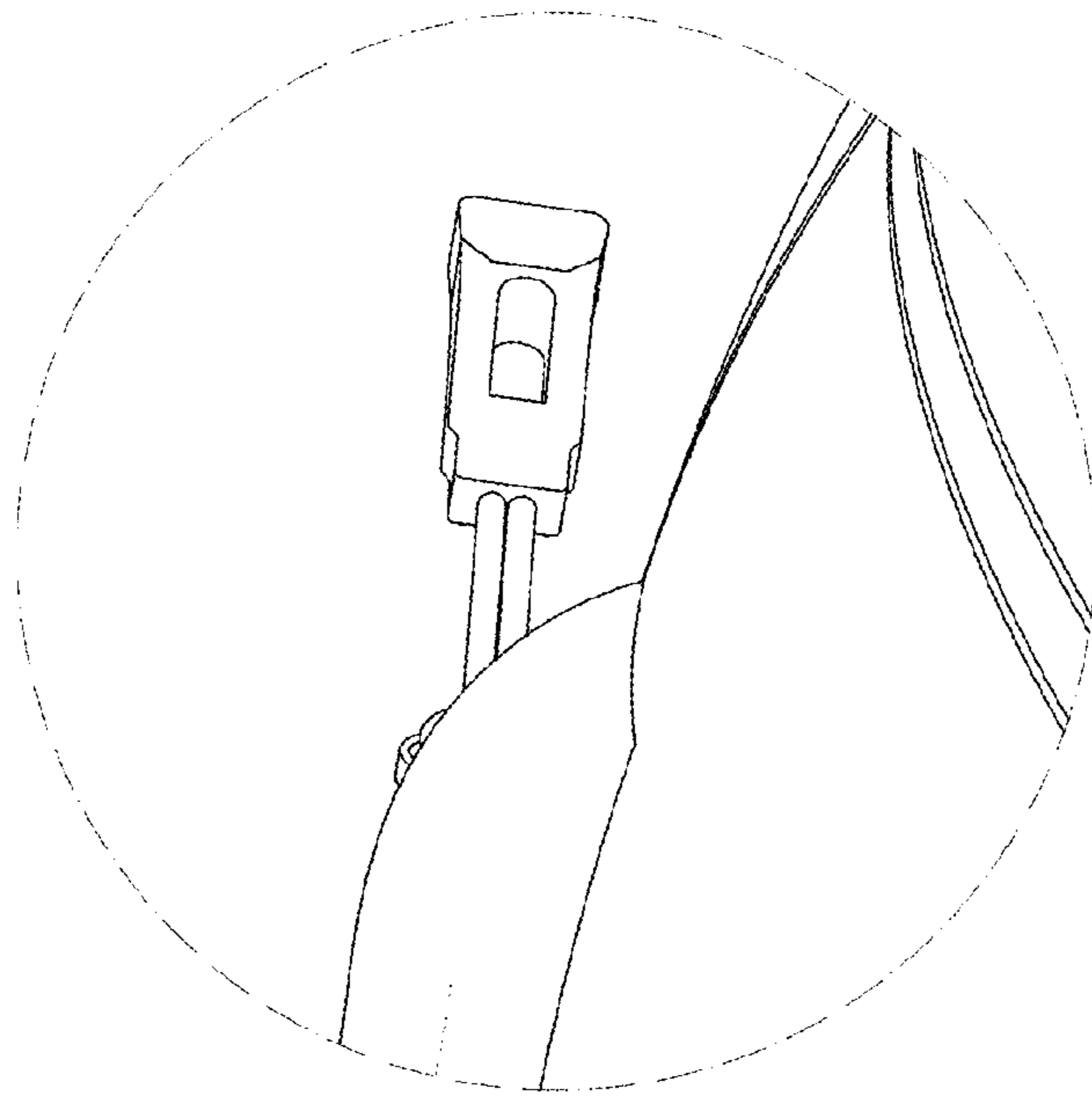


**FIG. 7**

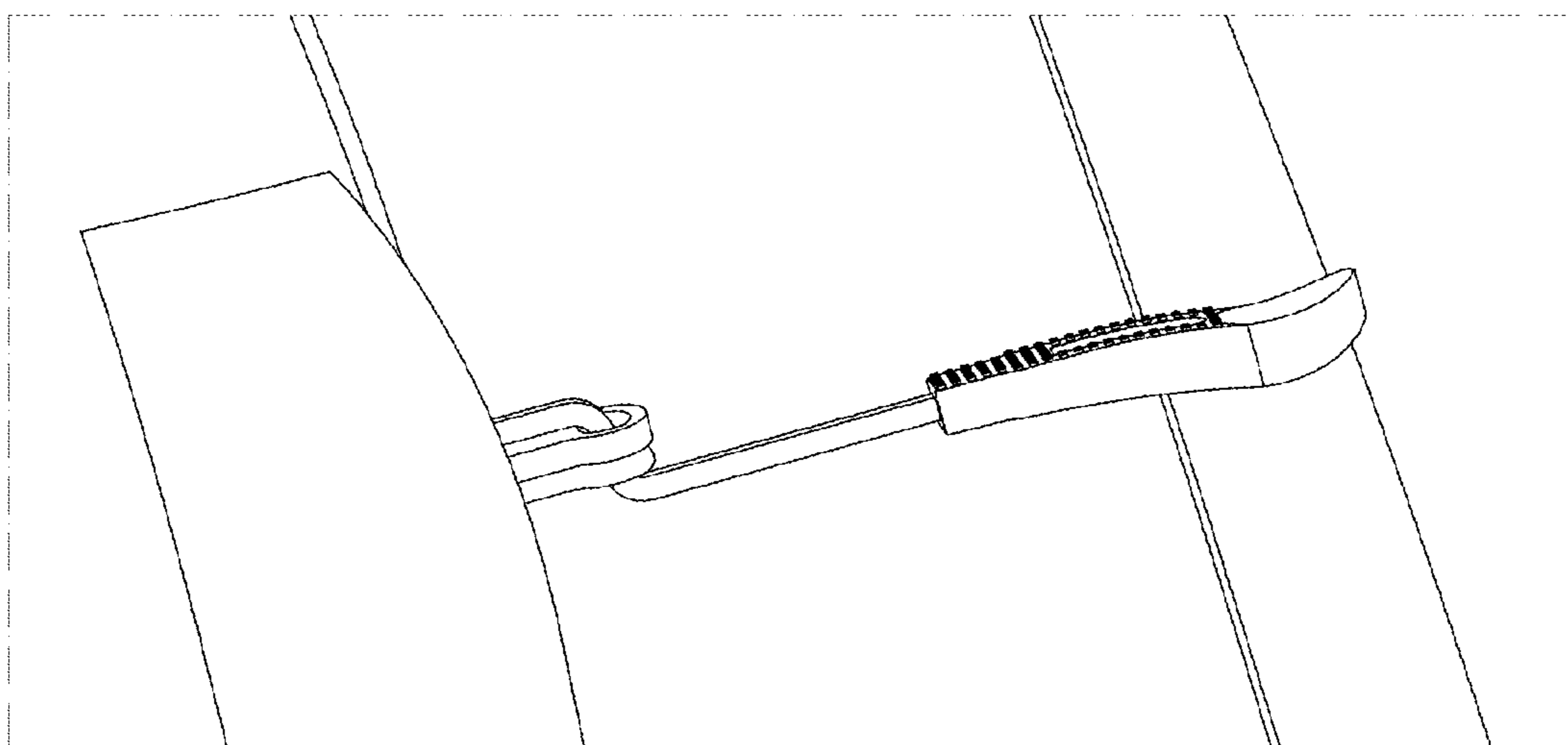


**FIG. 8**

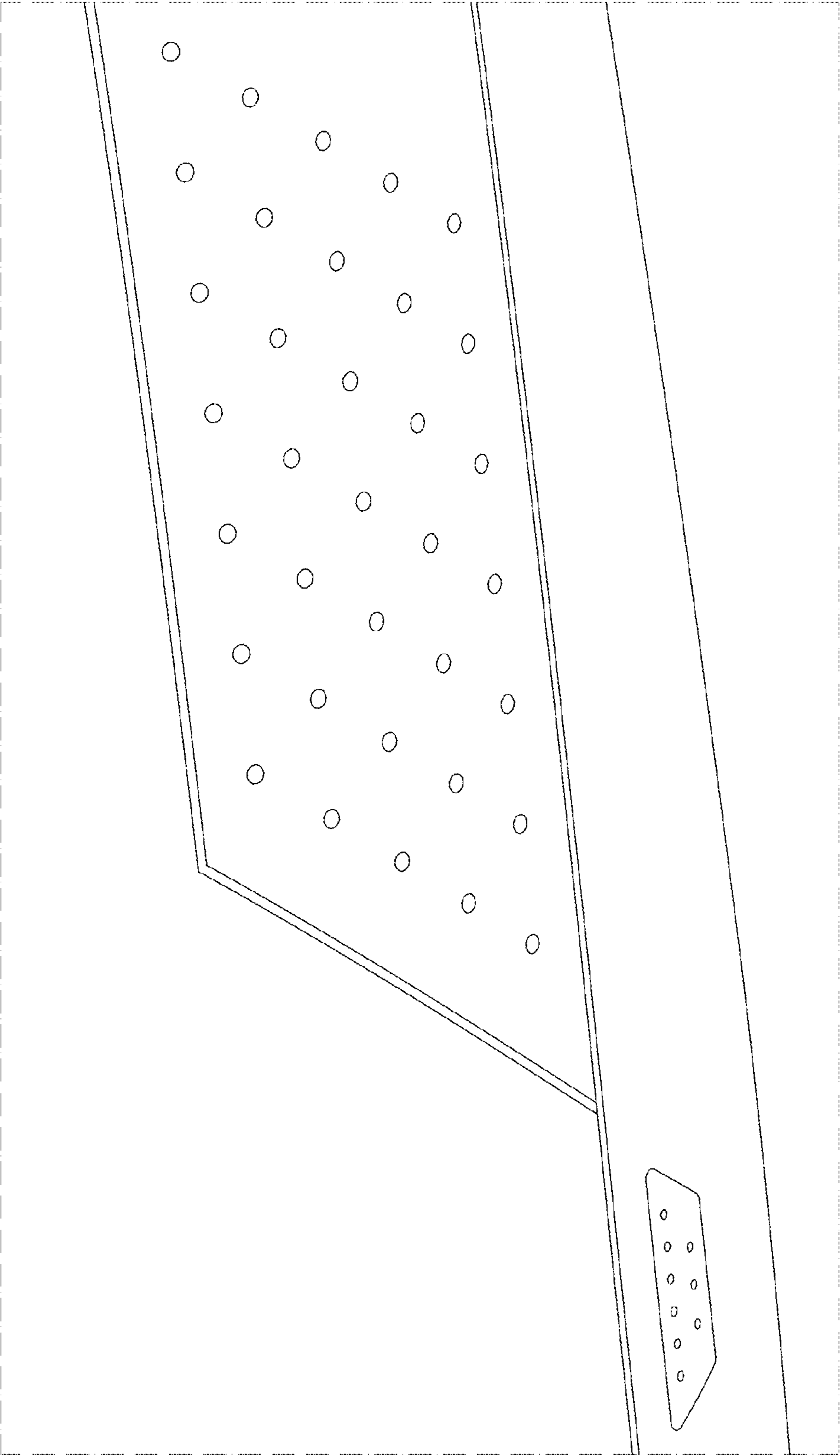




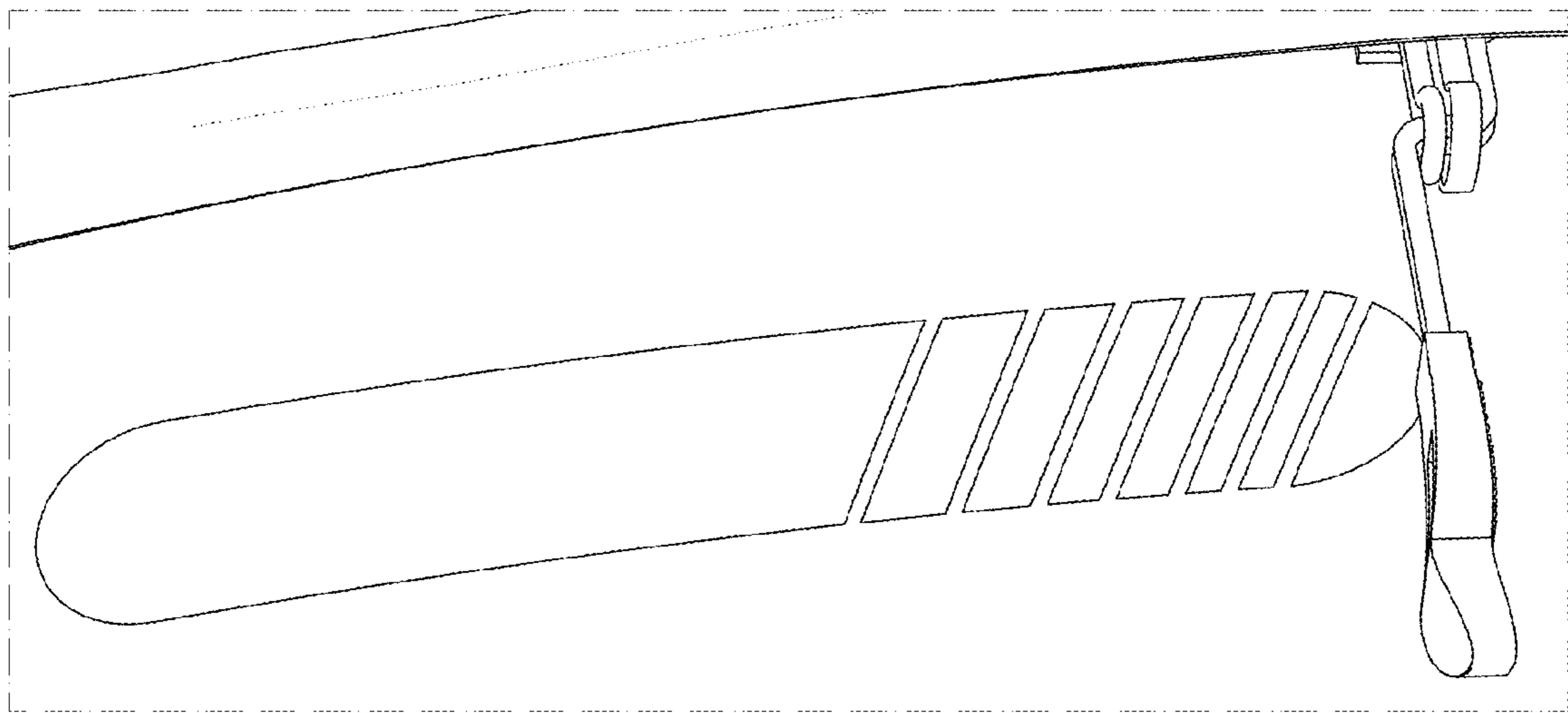
**FIG. 9**



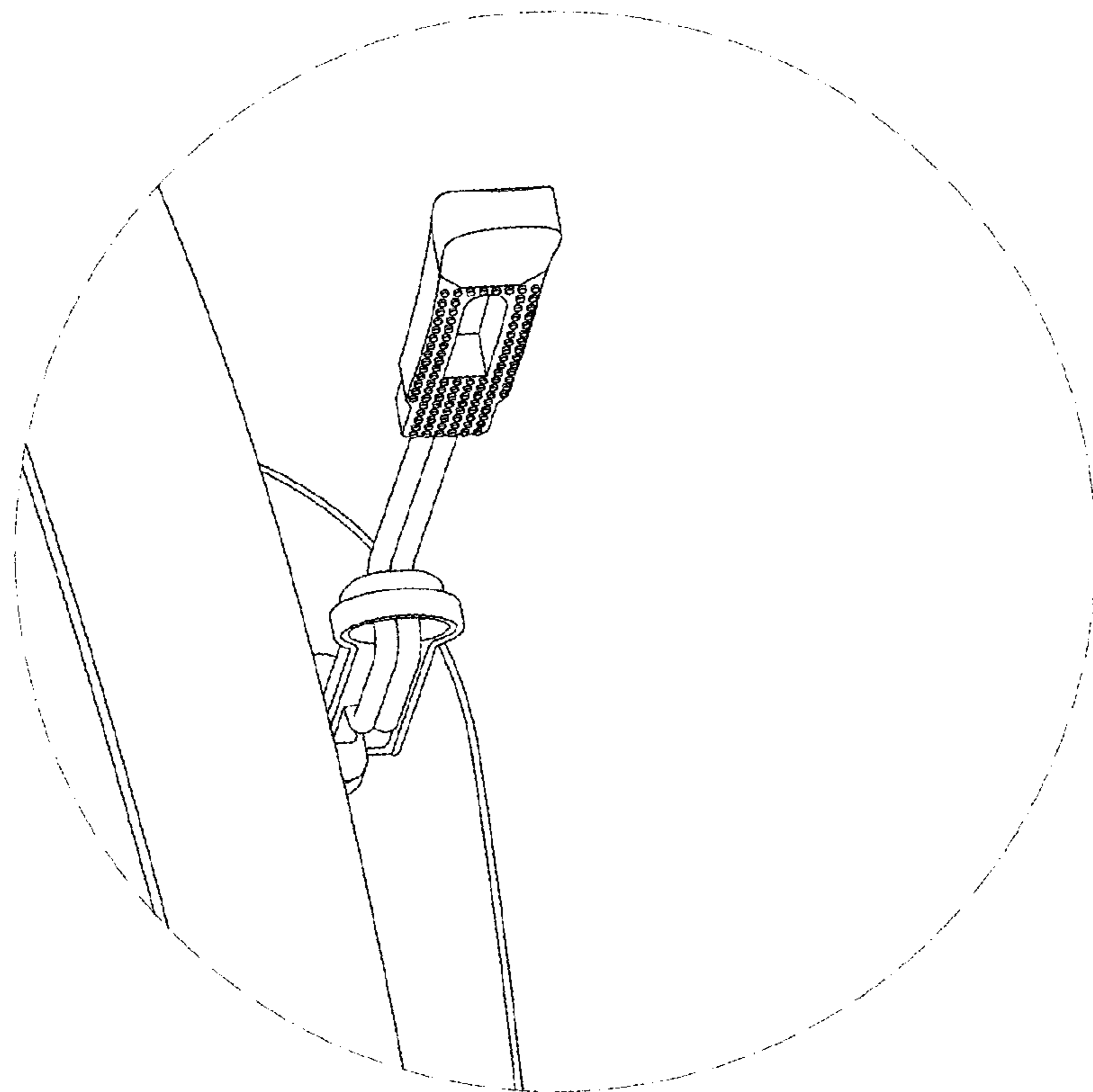
**FIG. 10**



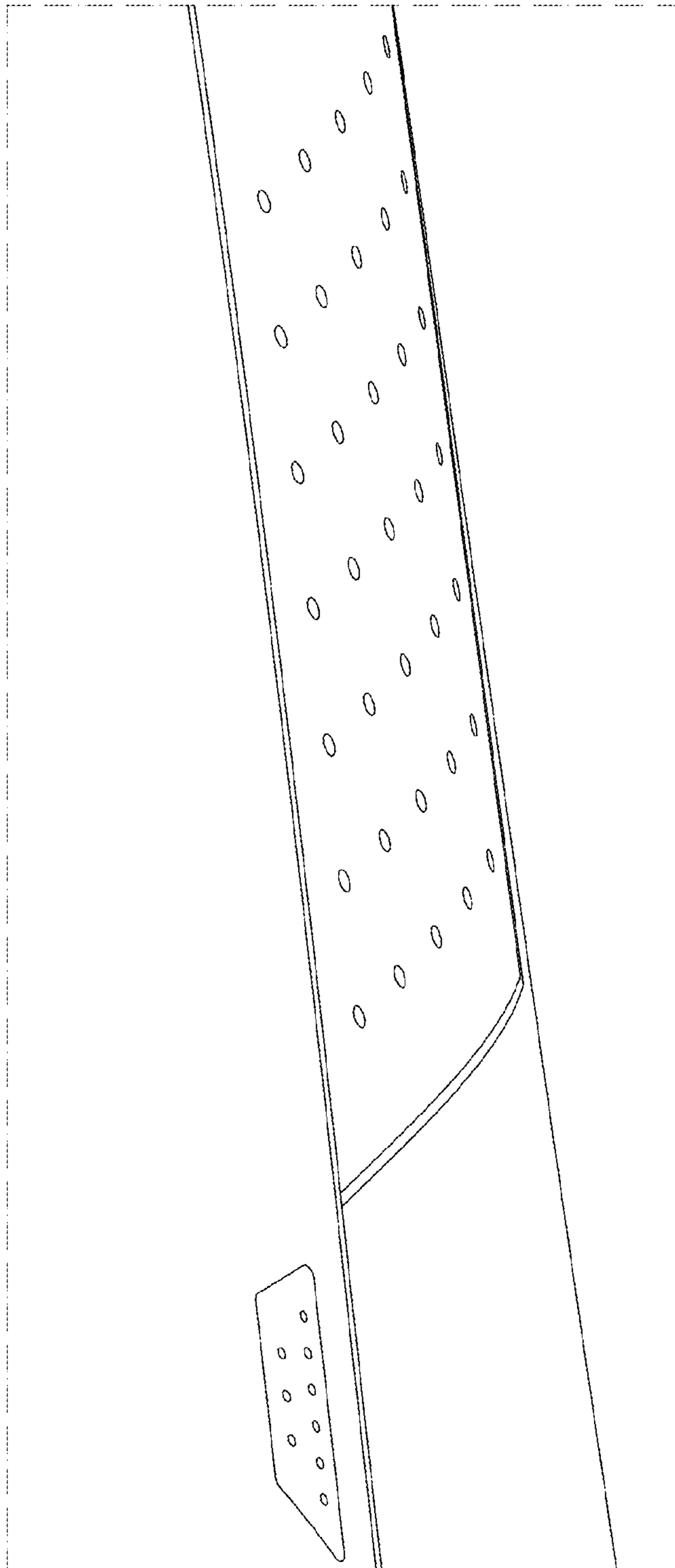
**FIG. 11**



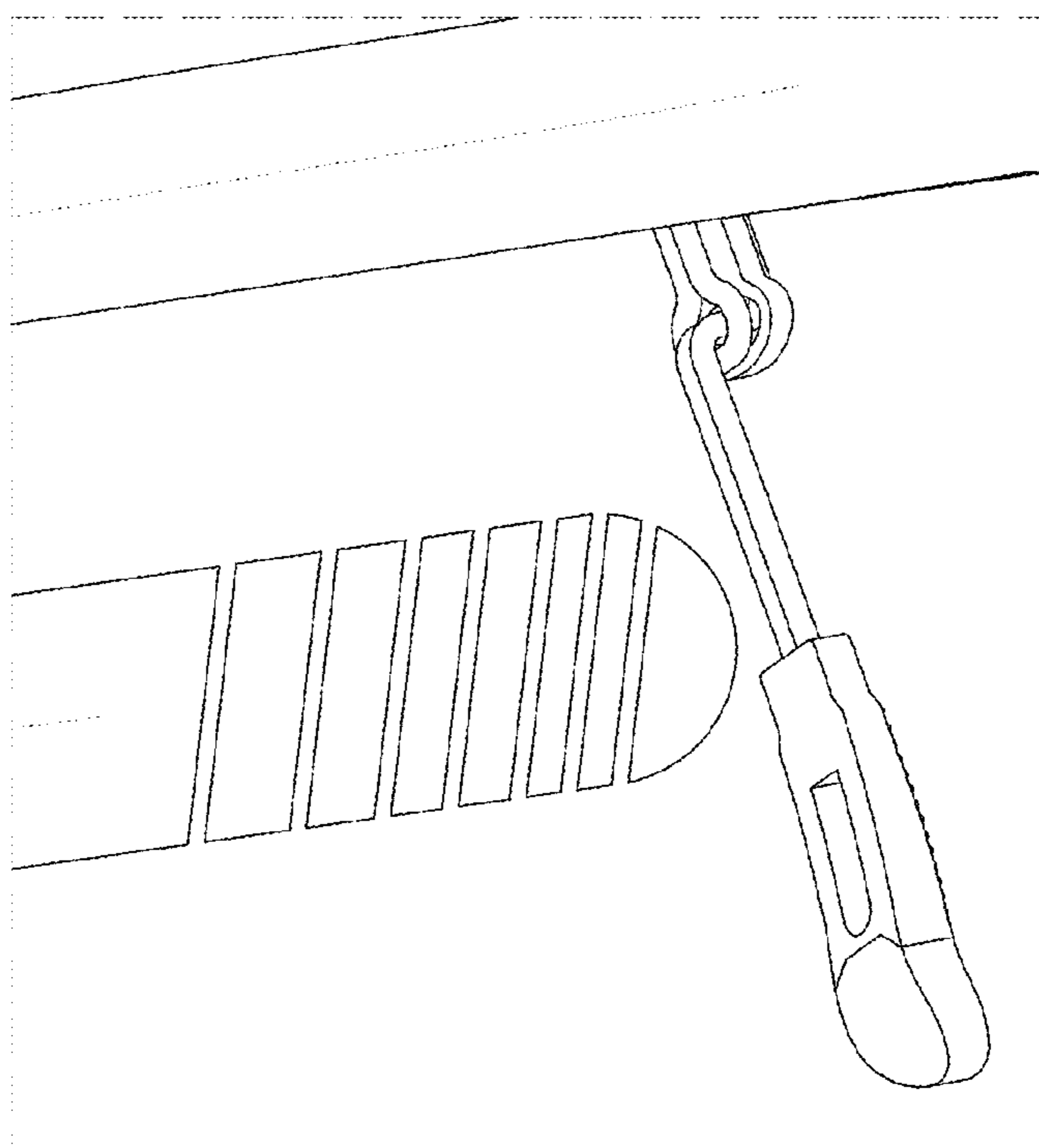
**FIG. 12**



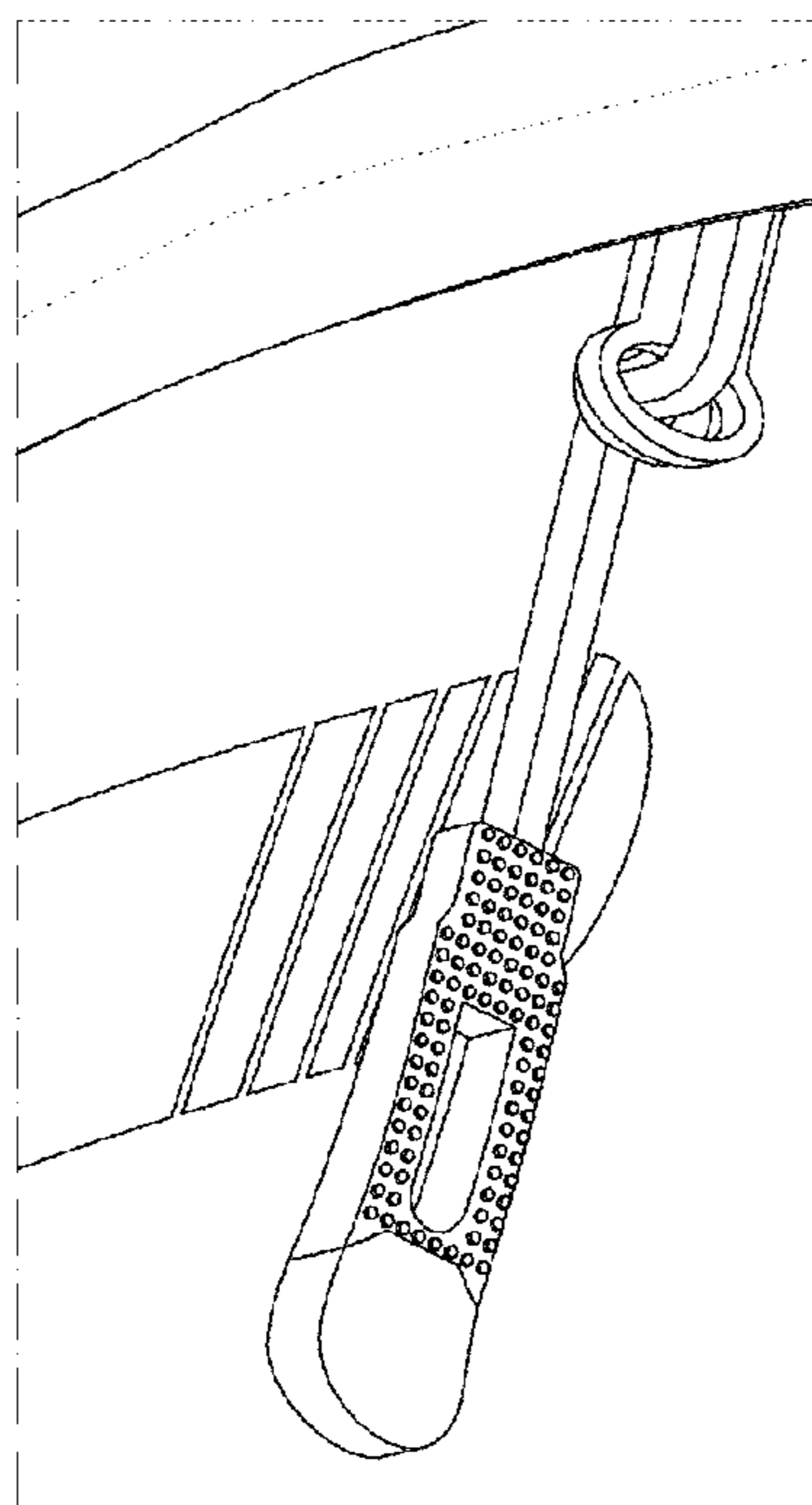
**FIG. 13**



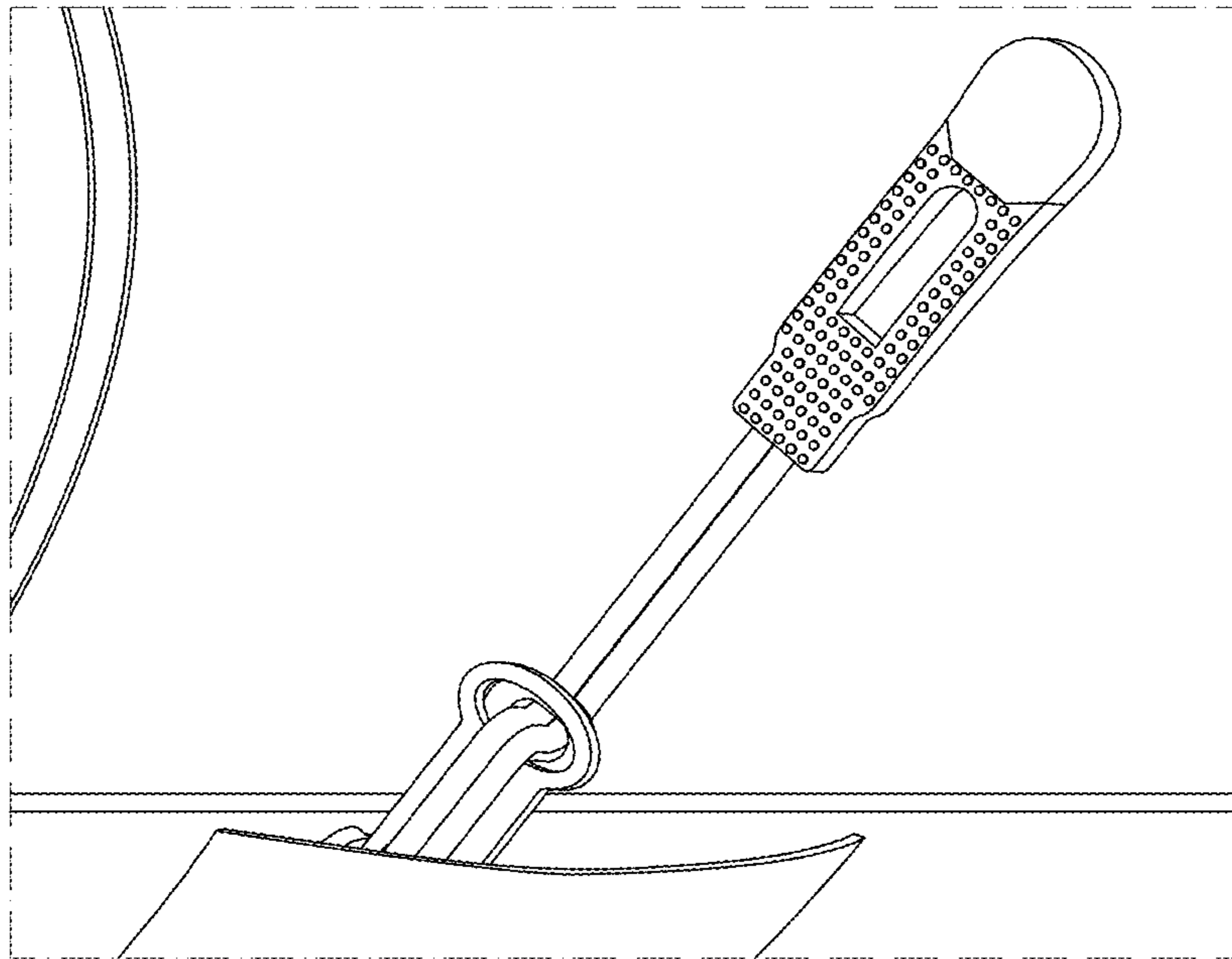
**FIG. 14**



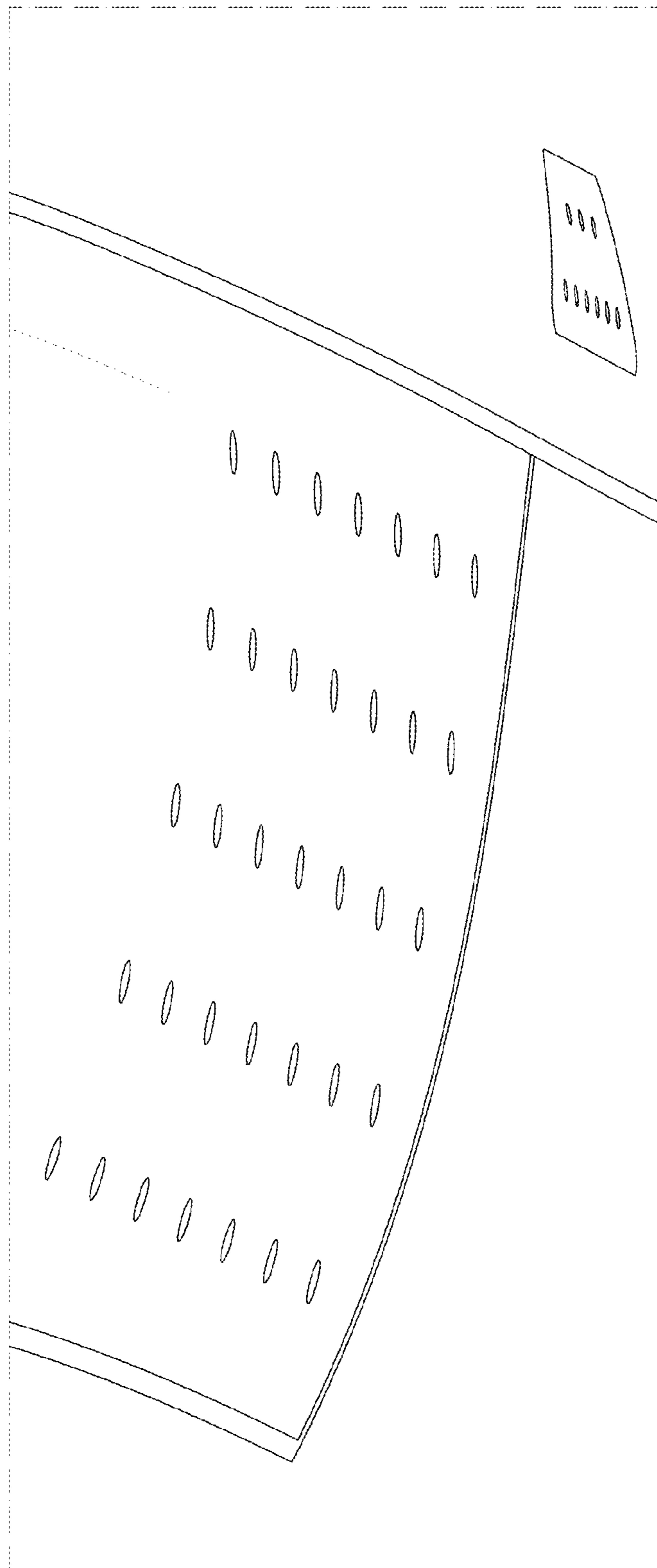
**FIG. 15**



**FIG. 16**



**FIG. 17**



**FIG. 18**