



US00D976532S

(12) **United States Design Patent**  
**Waldman**

(10) **Patent No.:** **US D976,532 S**  
(45) **Date of Patent:** **\*\* Jan. 31, 2023**

(54) **SWIMSUIT**

5,184,968 A 2/1993 Michalochick et al.  
5,359,732 A 11/1994 Waldman et al.  
6,205,585 B1\* 3/2001 Capparelli ..... A41C 3/08  
450/32

(71) Applicant: **Global Trademarks, Inc.**, Stockertown,  
PA (US)

(Continued)

(72) Inventor: **Mark Waldman**, New Hope, PA (US)

**FOREIGN PATENT DOCUMENTS**

(73) Assignee: **Global Trademarks, Inc.**

CN 304171904 \* 6/2017  
CN 304637001 \* 5/2018

(\*\*) Term: **15 Years**

(Continued)

(21) Appl. No.: **29/745,972**

**OTHER PUBLICATIONS**

(22) Filed: **Aug. 11, 2020**

Women Halter Wrap One Piece Split Swimsuit, available at walmart.com, earliest customer review date Feb. 5, 2018 [online], site visited May 31, 2022, available from the internet URL: <https://www.walmart.com/ip/Women-Halter-Wrap-One-Piece-Split-Swimsuit/203703921> (Year: 2018).\*

(51) **LOC (14) Cl.** ..... **02-02**

(52) **U.S. Cl.**  
USPC ..... **D2/731**

(58) **Field of Classification Search**  
USPC ..... D2/728-738  
CPC ..... A41D 7/00; A41D 7/001; A41D 7/003;  
A41D 7/005; A41D 7/006; A41D 7/008  
See application file for complete search history.

(Continued)

*Primary Examiner* — Messina L Smith  
*Assistant Examiner* — Jillian Mazzola  
(74) *Attorney, Agent, or Firm* — Belles Katz LLC

(56) **References Cited**

(57) **CLAIM**

**U.S. PATENT DOCUMENTS**

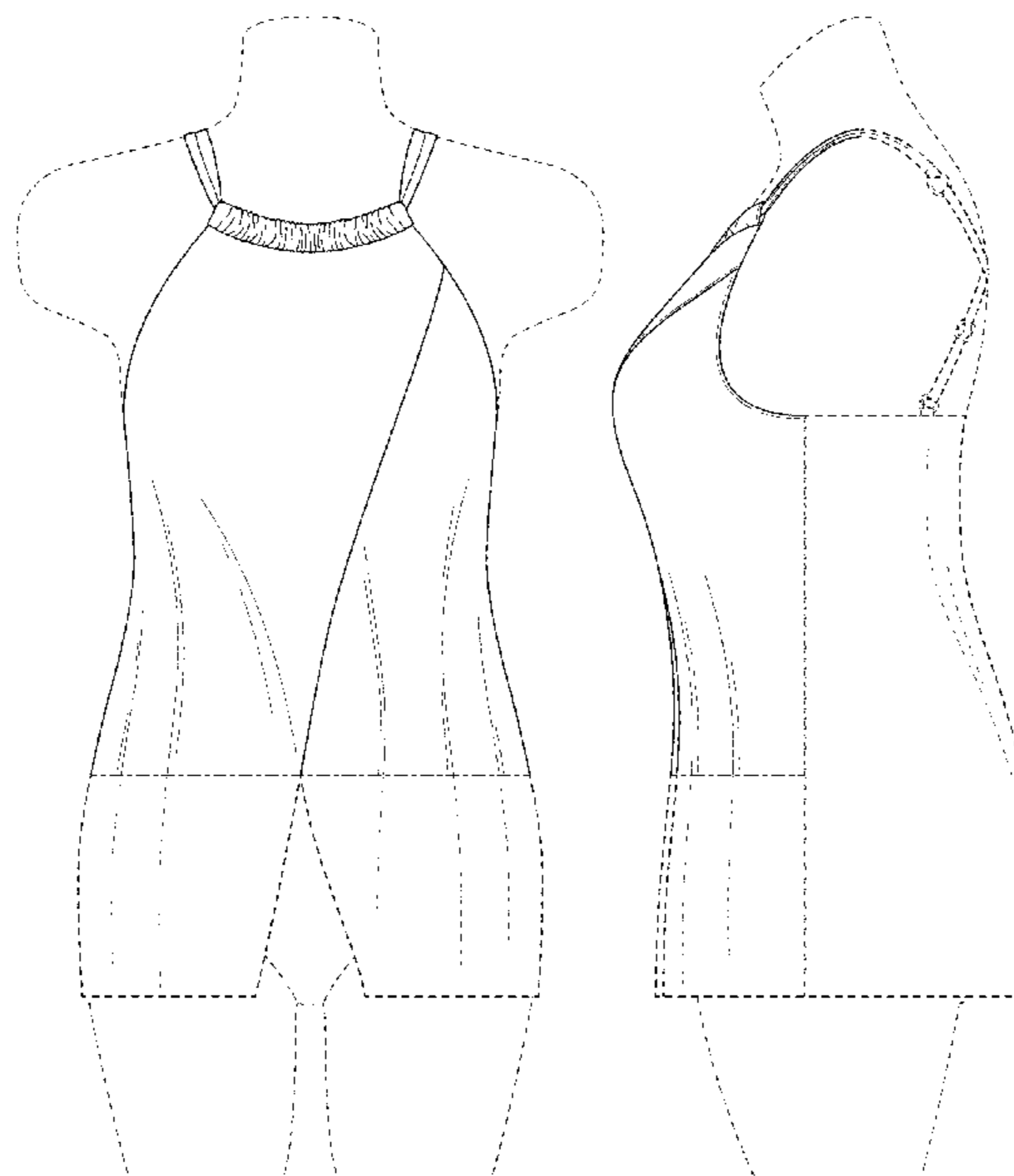
The ornamental design for a swimsuit, as shown and described.

- D58,579 S \* 8/1921 Keller ..... D2/864
- 1,435,878 A \* 11/1922 Scotford ..... A41D 11/00  
D2/776
- 1,931,822 A 4/1933 Hoffman
- 2,015,589 A \* 9/1935 Cahn ..... A41B 9/08  
D2/735
- 2,060,689 A 10/1935 Read
- D112,362 S \* 11/1938 Chapman ..... D2/757
- D160,221 S 9/1950 Sinsley
- D173,927 S 2/1955 Anthony et al.
- D179,553 S 1/1957 Anderson
- 4,377,007 A 3/1983 Sudjian
- 4,528,699 A 7/1985 Hughes
- D310,288 S \* 9/1990 Larsch ..... D2/828
- 5,083,316 A 1/1992 Kuehner et al.

**DESCRIPTION**

FIG. 1 is a front view of a swimsuit showing my new design. FIG. 2 is a rear view thereof. FIG. 3 is a right side view thereof; and, FIG. 4 is a left side view thereof. The broken lines illustrating a model are for environmental purposes only and form no part of the claimed design. The broken lines illustrating portions of the swimsuit form no part of the claimed design. The dot-dash broken lines define the bounds of the claimed design and form no part thereof.

**1 Claim, 4 Drawing Sheets**



(56)

References Cited

U.S. PATENT DOCUMENTS

D553,827 S \* 10/2007 Mehes ..... D2/717  
 D600,880 S 9/2009 Waldman  
 D600,889 S 9/2009 Schlueter Langdon  
 D609,882 S 2/2010 Holder  
 D613,036 S 4/2010 Waldman  
 D613,477 S 4/2010 Waldman  
 D616,627 S 6/2010 Schindler  
 D620,229 S 7/2010 Waldman  
 D622,477 S 8/2010 Schindler  
 D623,377 S \* 9/2010 Schindler ..... D2/700  
 D625,079 S 10/2010 Souza  
 D630,821 S 1/2011 Anderson  
 D634,510 S 3/2011 Waldman  
 D635,740 S 4/2011 Waldman  
 D636,559 S 4/2011 Maestrales  
 D641,958 S 7/2011 Waldman  
 D654,247 S \* 2/2012 Osbourne ..... D2/702  
 D654,665 S \* 2/2012 Lam ..... D2/840  
 D679,071 S 4/2013 Waldman  
 D687,212 S 8/2013 Waldman et al.  
 D693,542 S 11/2013 Waldman  
 D701,675 S 4/2014 Waldman  
 8,726,700 B2 5/2014 Waldman et al.  
 D706,019 S 6/2014 Waldman  
 8,769,718 B2 7/2014 Riehl  
 8,806,359 B2 8/2014 Garibaldi et al.  
 D716,021 S \* 10/2014 Rosadiuk ..... D2/794  
 D717,523 S 11/2014 Waldman  
 D727,594 S 4/2015 Waldman  
 D728,896 S 5/2015 Waldman  
 D728,897 S 5/2015 Waldman  
 D729,496 S 5/2015 Tucker  
 D730,620 S 6/2015 Tucker  
 D731,145 S 6/2015 Davis  
 D731,146 S 6/2015 Dweck  
 D731,749 S 6/2015 Waldman  
 D733,401 S 7/2015 Coburn  
 D735,971 S 8/2015 Saylor et al.  
 D742,620 S 11/2015 Waldman et al.  
 D746,021 S 12/2015 Saylor et al.  
 D755,475 S 5/2016 Waldman  
 D755,476 S 5/2016 Waldman  
 D773,776 S 12/2016 Waldman  
 D774,730 S 12/2016 Waldman  
 D775,783 S 1/2017 Waldman  
 D785,905 S 5/2017 Savage et al.  
 D790,805 S 7/2017 Waldman  
 D794,906 S 8/2017 Waldman  
 D794,907 S 8/2017 Waldman  
 D795,531 S 8/2017 Waldman  
 D795,532 S 8/2017 Waldman et al.  
 D795,533 S 8/2017 Waldman et al.  
 D797,404 S 9/2017 Waldman  
 D797,405 S 9/2017 Waldman  
 D799,789 S 10/2017 Waldman  
 D799,790 S 10/2017 Waldman  
 D804,144 S 12/2017 Waldman et al.  
 D806,357 S 1/2018 Waldman  
 D806,359 S 1/2018 Waldman  
 D816,946 S 5/2018 Waldman  
 D817,601 S 5/2018 Waldman  
 D817,602 S 5/2018 Waldman  
 D825,141 S \* 8/2018 Jeong ..... D2/848  
 D834,786 S 12/2018 Waldman  
 D837,488 S \* 1/2019 Noto ..... D2/851  
 D843,083 S 3/2019 Waldman  
 D844,289 S 4/2019 Waldman

D844,290 S 4/2019 Waldman  
 D844,291 S 4/2019 Waldman  
 D844,292 S 4/2019 Waldman  
 D844,293 S 4/2019 Waldman  
 D844,294 S 4/2019 Waldman  
 D844,295 S 4/2019 Waldman  
 D844,934 S 4/2019 Waldman  
 D844,935 S 4/2019 Waldman  
 D844,936 S 4/2019 Waldman  
 D844,937 S 4/2019 Waldman  
 D845,585 S 4/2019 Waldman  
 D846,235 S 4/2019 Waldman  
 D846,236 S 4/2019 Waldman  
 D846,835 S 4/2019 Waldman  
 RE47,397 E 5/2019 Waldman et al.  
 D847,458 S 5/2019 Waldman  
 D847,459 S 5/2019 Waldman  
 D847,460 S 5/2019 Waldman  
 D847,461 S 5/2019 Waldman  
 D847,462 S 5/2019 Waldman  
 D848,114 S 5/2019 Waldman  
 D849,365 S 5/2019 Waldman  
 D849,366 S 5/2019 Waldman  
 D859,786 S 9/2019 Waldman  
 D861,290 S 10/2019 Waldman  
 D861,291 S 10/2019 Waldman  
 D861,292 S 10/2019 Waldman  
 D862,037 S 10/2019 Waldman  
 D862,038 S 10/2019 Waldman  
 D862,039 S 10/2019 Waldman  
 D862,040 S 10/2019 Waldman  
 D862,041 S 10/2019 Waldman  
 D866,123 S 11/2019 Waldman  
 D866,124 S 11/2019 Waldman  
 D877,455 S 3/2020 Waldman  
 D881,517 S 4/2020 Waldman  
 D889,773 S 7/2020 Waldman  
 D927,132 S \* 8/2021 Waldman ..... D2/731  
 D938,692 S \* 12/2021 Jones ..... D2/720  
 2009/0025187 A1 \* 1/2009 Otenbaker ..... A41F 15/00  
 24/3.12

FOREIGN PATENT DOCUMENTS

CN 304707746 \* 7/2018  
 CN 304982932 \* 1/2019

OTHER PUBLICATIONS

Halter Cinch Tankini Top, available at target.com, earliest customer review date Oct. 2021 [online], site visited May 31, 2022, available from the internet URL: <https://www.target.com/p/women-s-plus-size-halter-cinch-tankini-top-kona-sol-multi/-/A-86380647> (Year: 2021).\*

High Neck Flounce One-Piece, available at venus.com, date not available [online], site visited May 31, 2022, available from the internet URL: <https://www.venus.com/productlanding.aspx?BRANCH=24~97~&ProductDisplayID=35703&clr=SOC&> (Year: 2022).\*

Black Colorblock Swindress, available at modlily.com, earliest customer review date Jan. 18, 2022 [online], site visited May 31, 2022, available from the internet URL: <https://www.modlily.com/black-color-block-cross-strap-swindress-top-g286675.html?> (Year: 2022).\*

Amazon Fashion; Miraclesuit Luxe Leopard Siren One-Piece; internet at <https://www.amazon.com/Miraclesuit-6511517-Leopard-Siren-One-Piece/dp/B076C6DKYS>. Printed Nov. 20, 2018. US.

\* cited by examiner

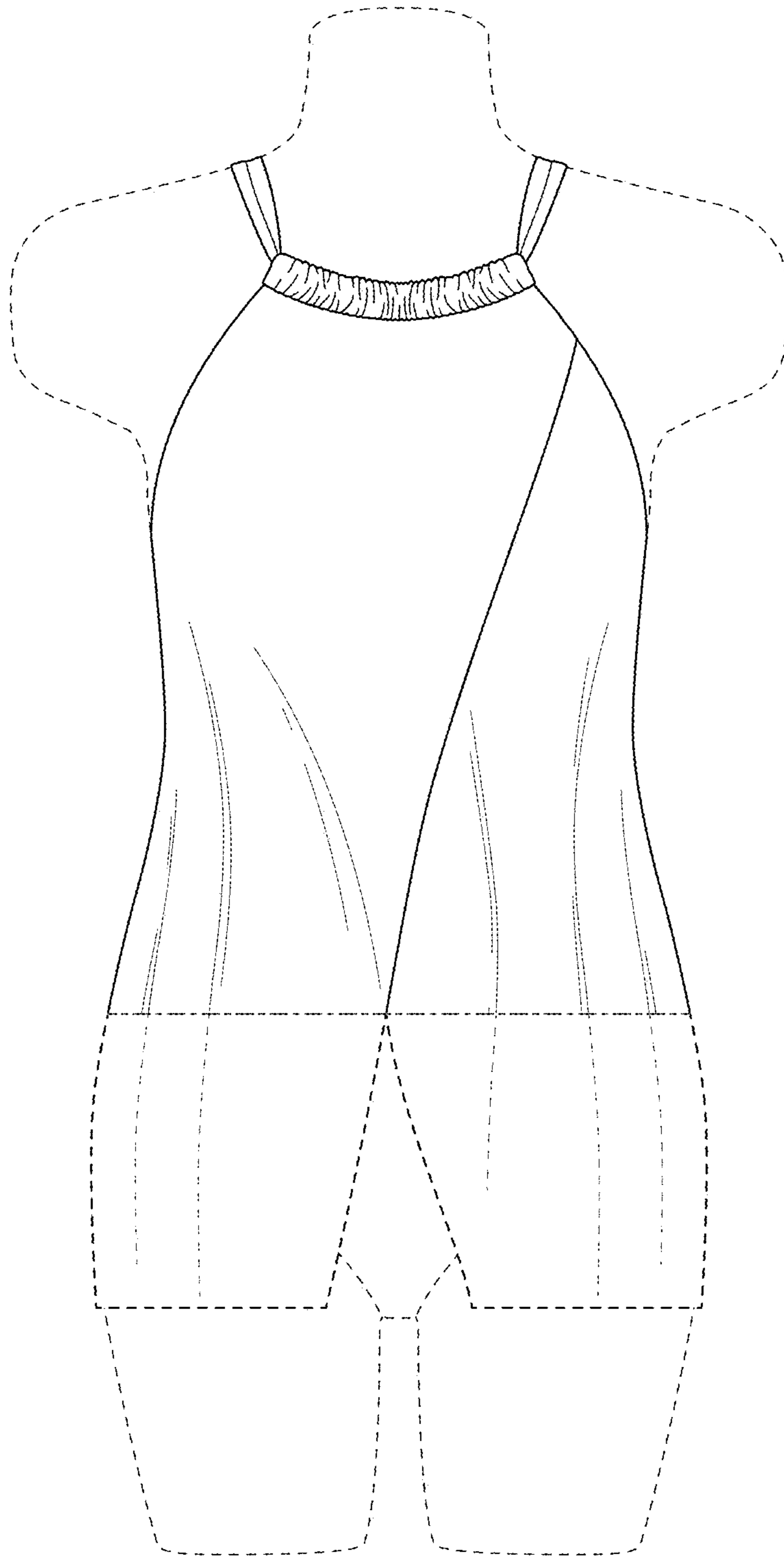


FIG. 1

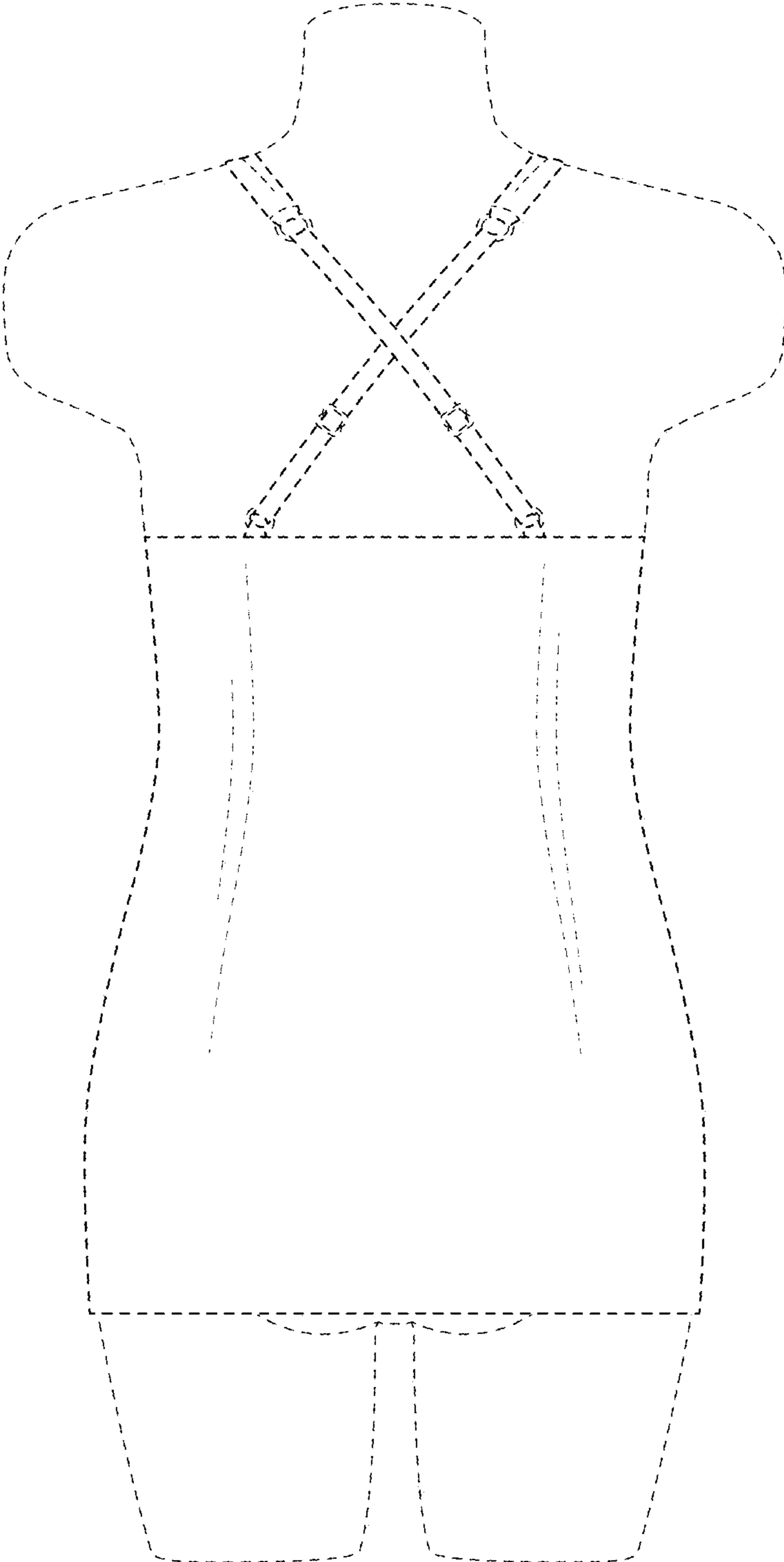


FIG. 2

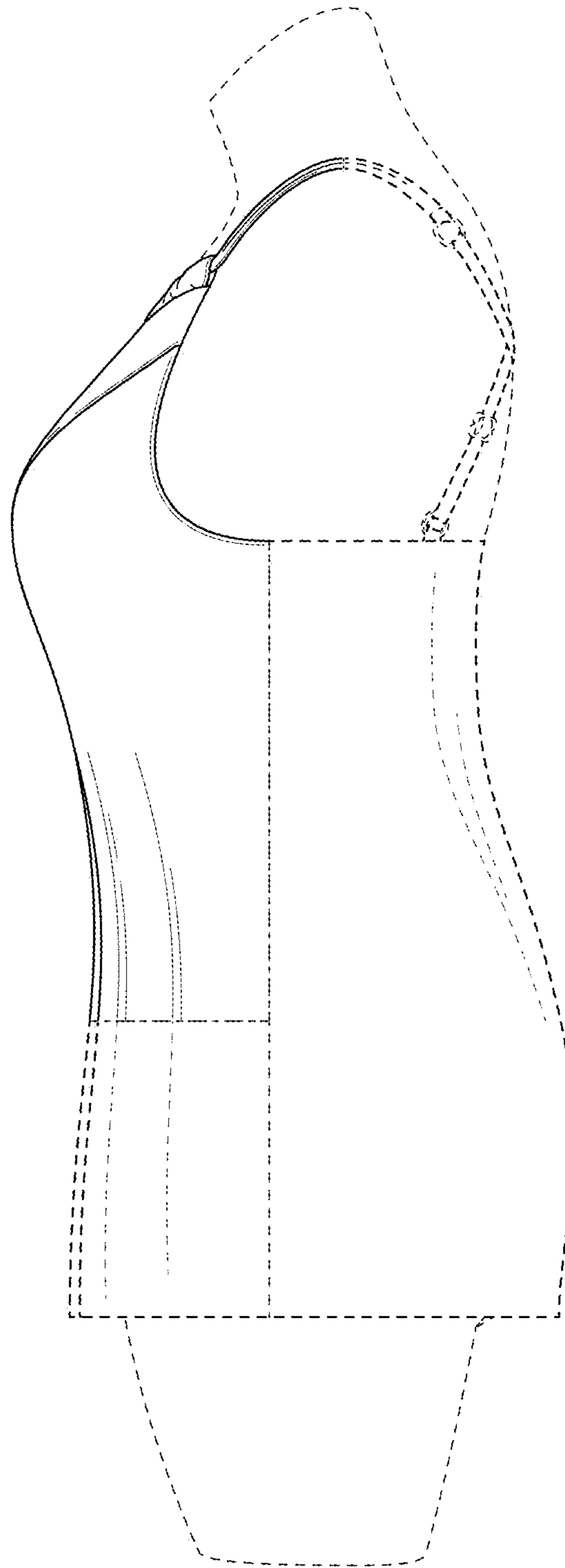


FIG. 3

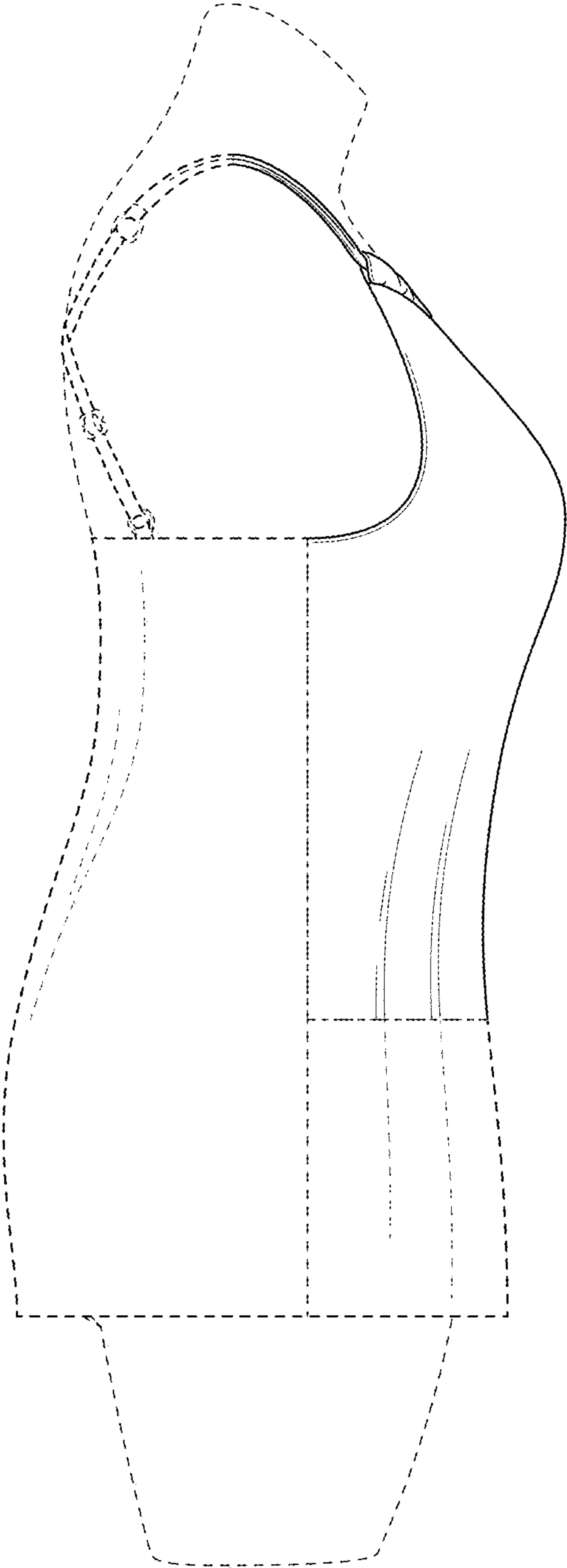


FIG. 4