



US00D976520S

(12) **United States Design Patent**
Moser

(10) **Patent No.:** **US D976,520 S**
(45) **Date of Patent:** **** Jan. 31, 2023**

(54) **FOOD PRODUCT**

(71) Applicant: **Kraft Foods Group Brands LLC**,
Chicago, IL (US)

(72) Inventor: **Hanna E. Moser**, Chicago, IL (US)

(73) Assignee: **Kraft Foods Group Brands LLC**,
Chicago, IL (US)

(**) Term: **15 Years**

(21) Appl. No.: **29/719,049**

(22) Filed: **Dec. 31, 2019**

(51) **LOC (14) Cl.** **01-01**

(52) **U.S. Cl.**
USPC **D1/102**

(58) **Field of Classification Search**
USPC D1/100–130, 199; 426/92, 94, 104, 134,
426/138, 143, 275, 277, 279, 281–284,
426/292, 295, 391, 496, 514, 566, 572,
426/660; 249/92; D8/83; D21/487;
D7/536, 607, 608; D9/430
CPC A23L 1/0067; A23L 1/1645; A23G 9/503;
A23G 9/48; A23G 3/54
See application file for complete search history.

(56) **References Cited**

U.S. PATENT DOCUMENTS

D178,152 S * 6/1956 Schwartz D5/7
D231,135 S * 4/1974 Marcum D1/104
D429,894 S * 8/2000 Bergin D5/57
D704,416 S * 5/2014 Duncan D1/102

(Continued)

OTHER PUBLICATIONS

Sara. “Ombre Cucake Tutorial.” Bitz and Giggles. Jul. 21, 2014.
Web. Jun. 14, 2022. <<https://bitzniggles.com/ombre-cupcake-tutorial/>>.*

Primary Examiner — Katie Jane Stofko

(74) *Attorney, Agent, or Firm* — Fitch Even Tabin &
Flannery LLP

(57) **CLAIM**

The ornamental design for a food product, as shown and
described.

DESCRIPTION

The patent or application file contains at least one drawing
or photograph executed in color. Copies of this patent or
patent application publication with color drawings or pho-
tographs will be provided by the Office upon request and
payment of the necessary fee.

FIG. 1 is a front elevation view of a first embodiment of a
food product according to my new design;

FIG. 2 is a bottom plan view thereof;

FIG. 3 is another front elevation view thereof shown in
another state;

FIG. 4 is a bottom plan view thereof;

FIG. 5 is another front elevation view thereof shown in
another state;

FIG. 6 is a bottom plan view thereof;

FIG. 7 is a front elevation view of a second embodiment of
a food product according to my new design;

FIG. 8 is a bottom plan view thereof;

FIG. 9 is another front elevation view thereof shown in
another state;

FIG. 10 is a bottom plan view thereof;

FIG. 11 is another front elevation view thereof shown in
another state; and,

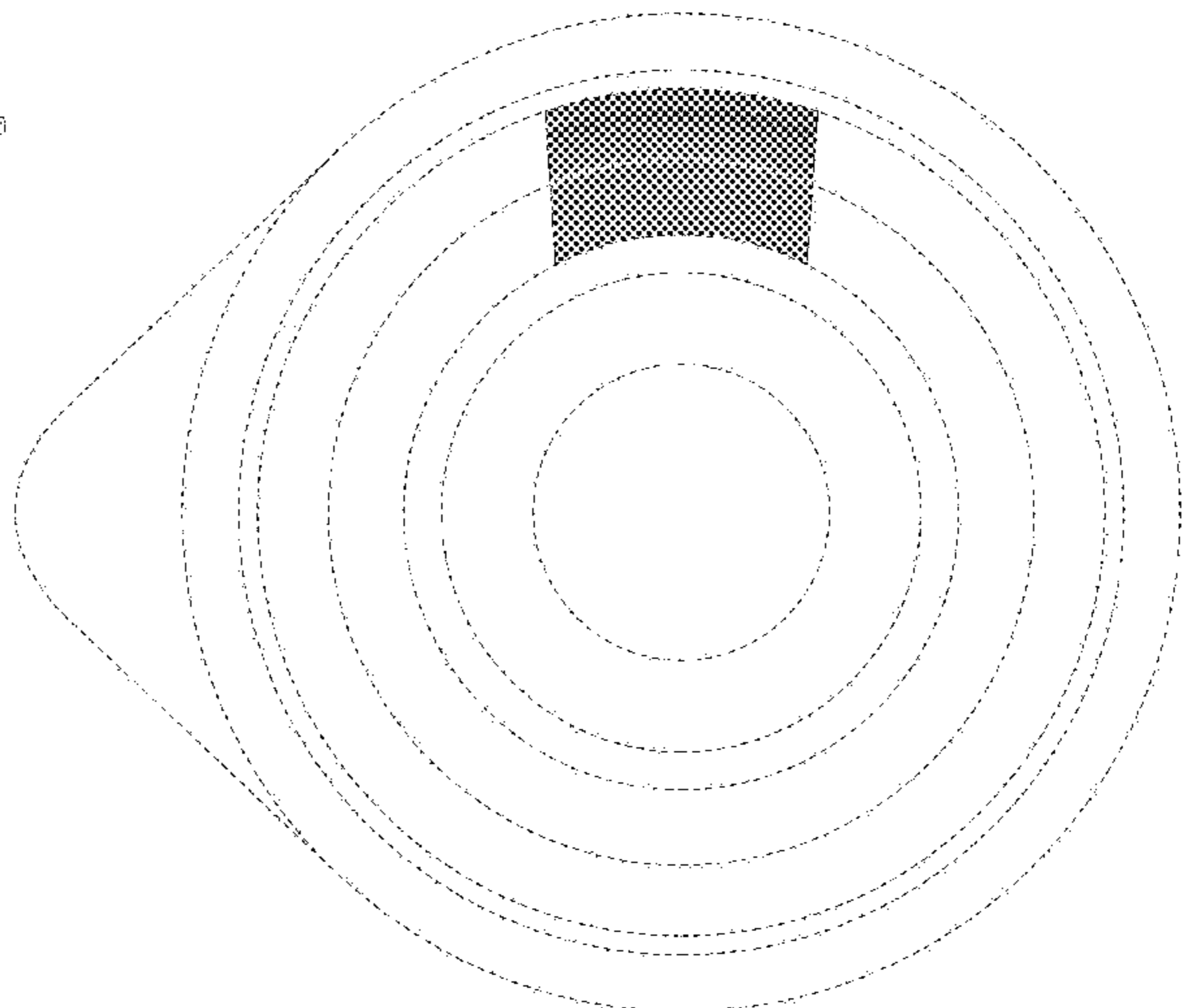
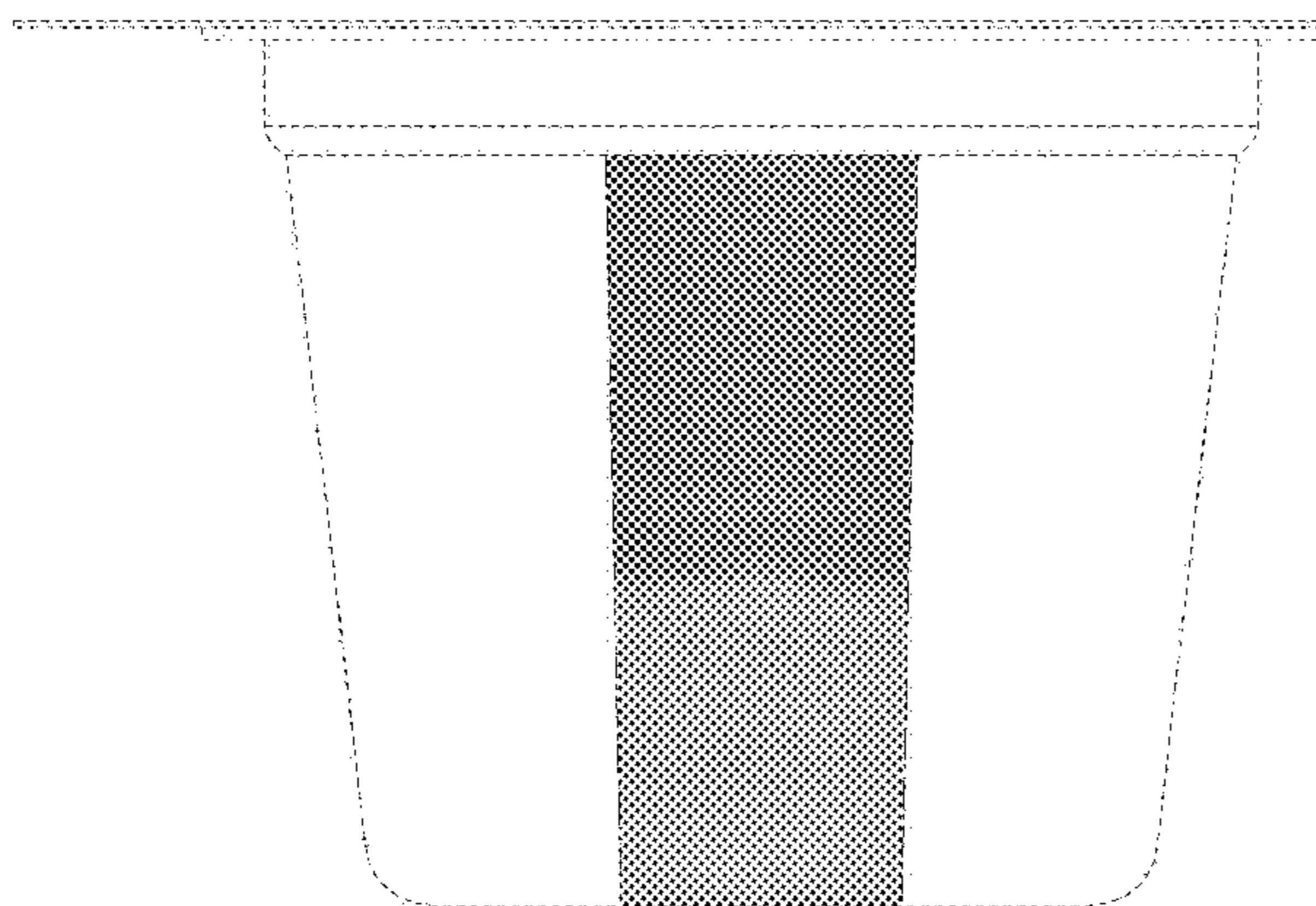
FIG. 12 is a bottom plan view thereof.

The broken lines are included for the purpose of illustrating
the unclaimed portions of the food product and form no part
of the claim.

The dash-dot broken lines in FIGS. 1-12 illustrate bound-
aries of the claimed design and form no part of the claimed
design.

The grayscale shading in FIGS. 7-12 indicates a contrast in
appearance of the food product.

1 Claim, 12 Drawing Sheets
(6 of 12 Drawing Sheet(s) Filed in Color)



(56)

References Cited

U.S. PATENT DOCUMENTS

D705,661 S *	5/2014	Marotti	D9/554
D715,141 S *	10/2014	Markle	D9/434
D736,081 S *	8/2015	Markle	D9/434
D736,082 S *	8/2015	Markle	D9/434
D736,620 S *	8/2015	Markle	D9/516
D748,474 S *	2/2016	Choi	D9/434
D835,931 S *	12/2018	Del Conte	D7/330
D927,069 S *	8/2021	Hindash	D28/83
D946,236 S *	3/2022	Sorkin	D1/102

* cited by examiner

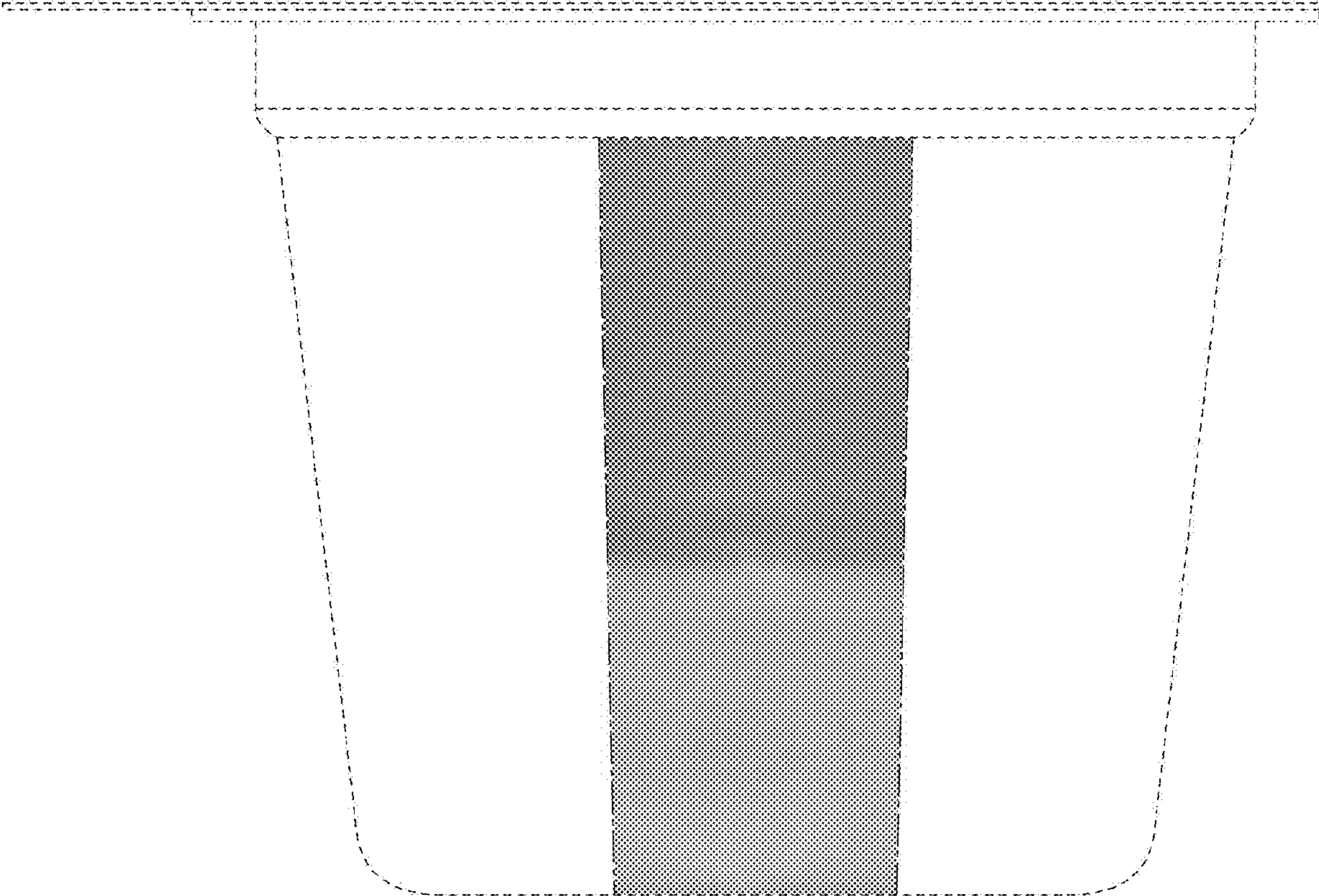


FIG. 1

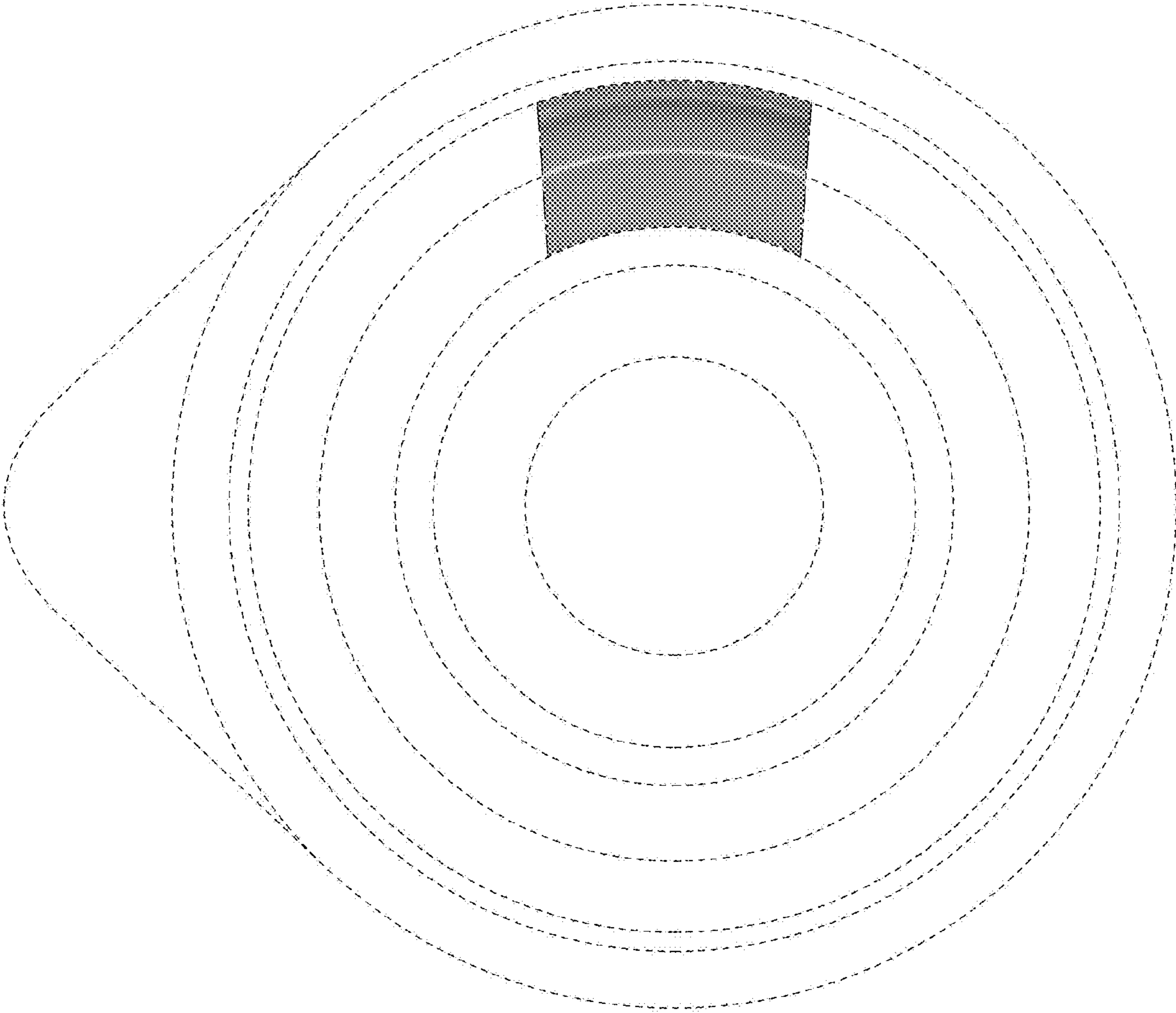


FIG. 2

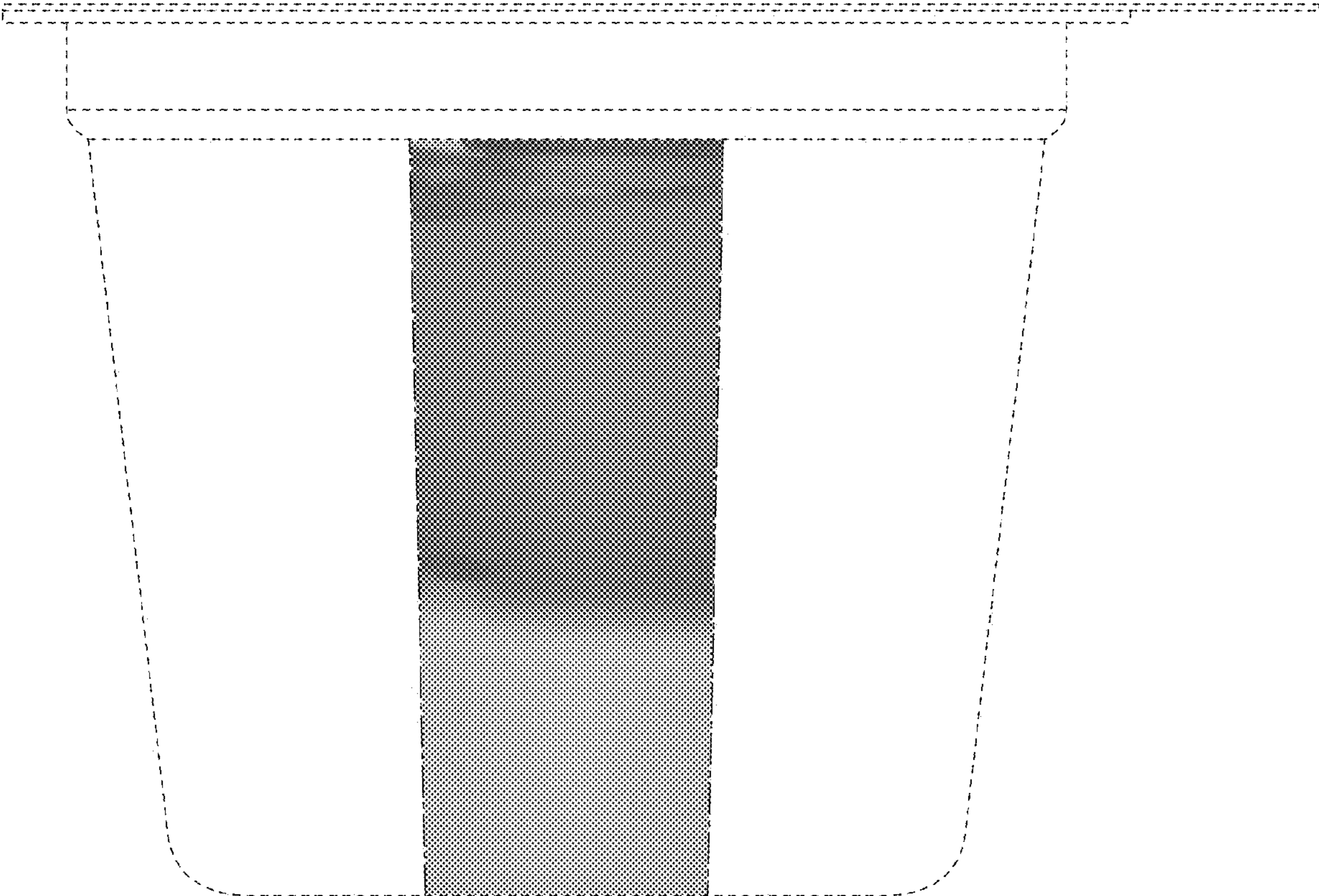


FIG. 3

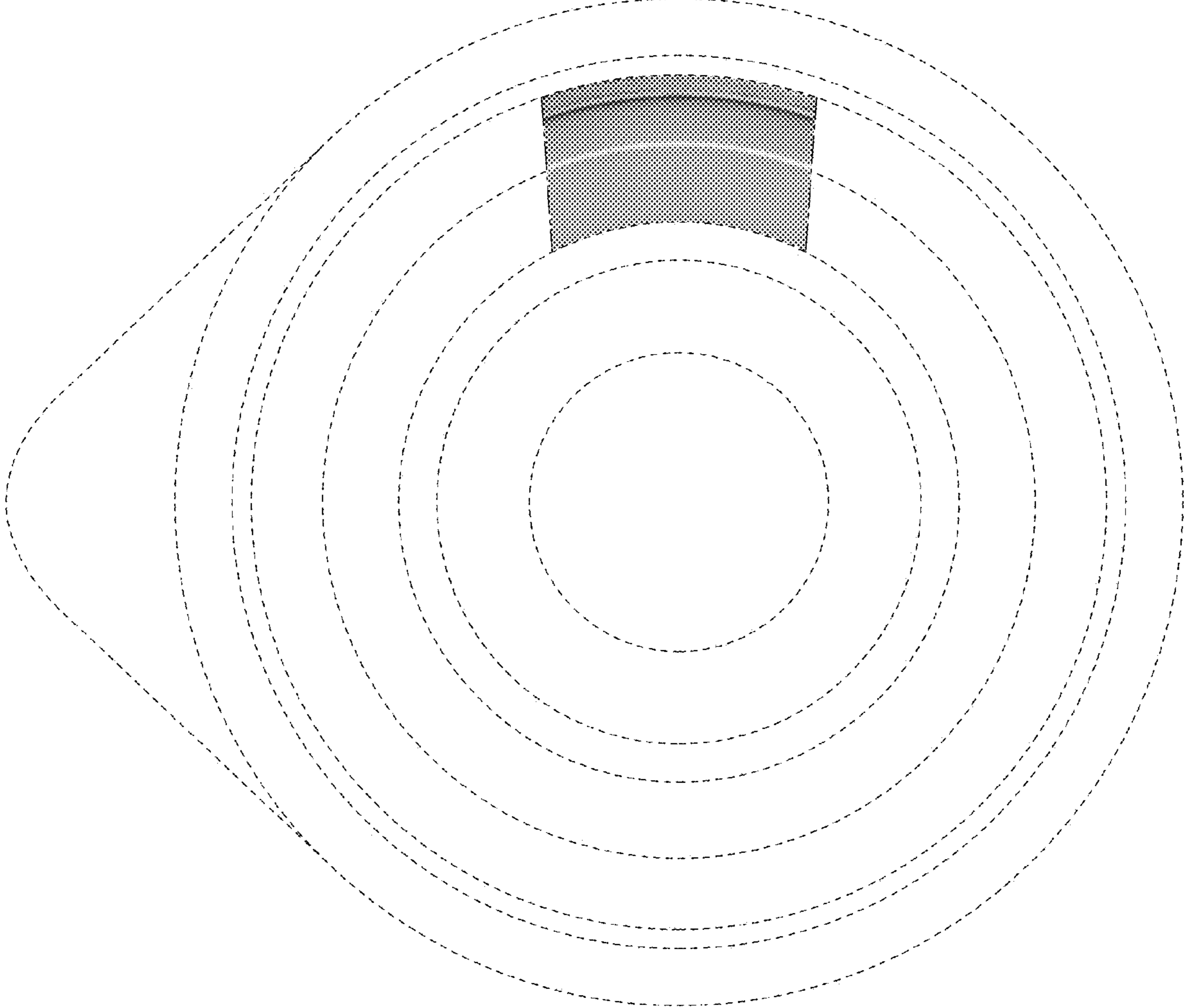


FIG. 4

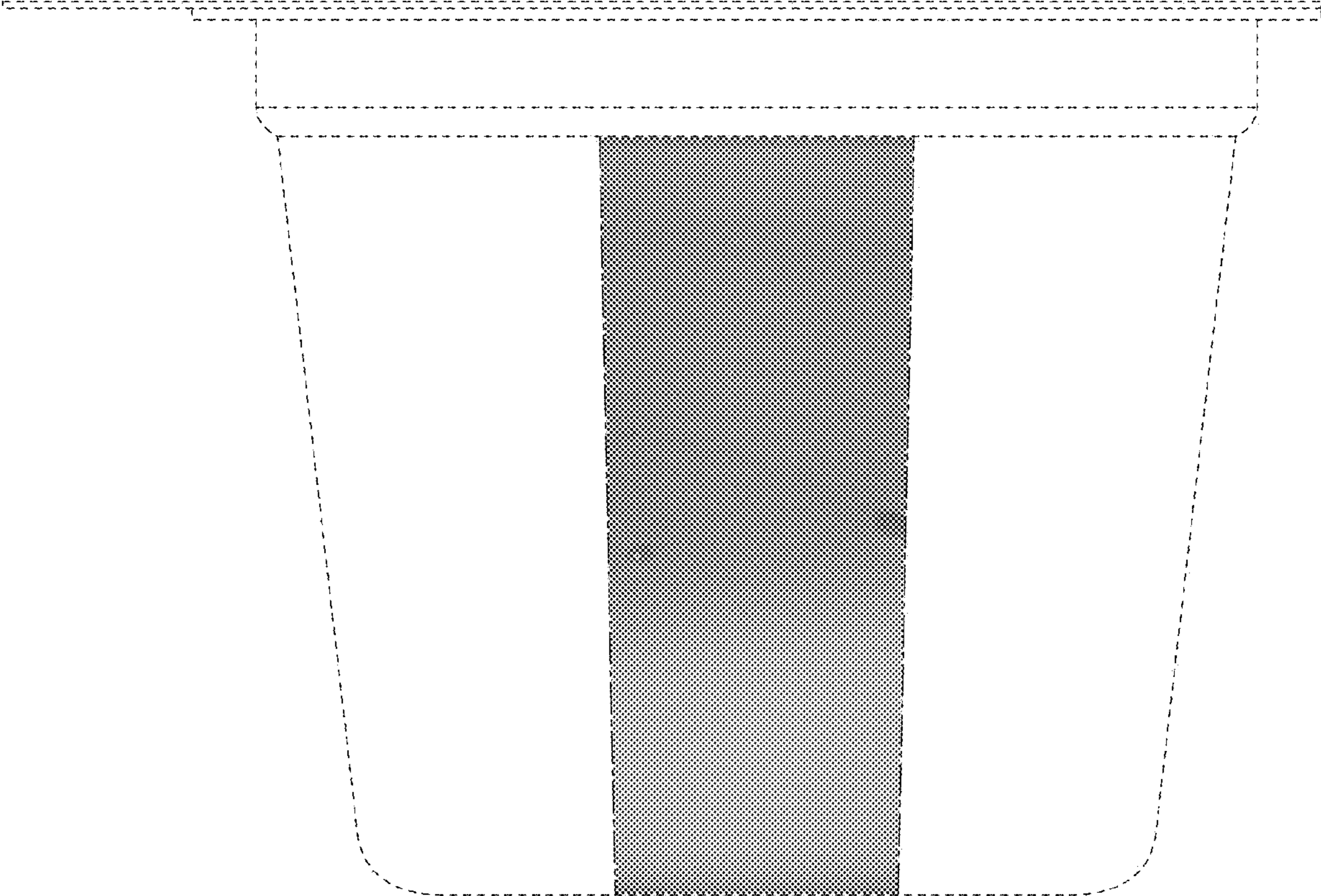


FIG. 5

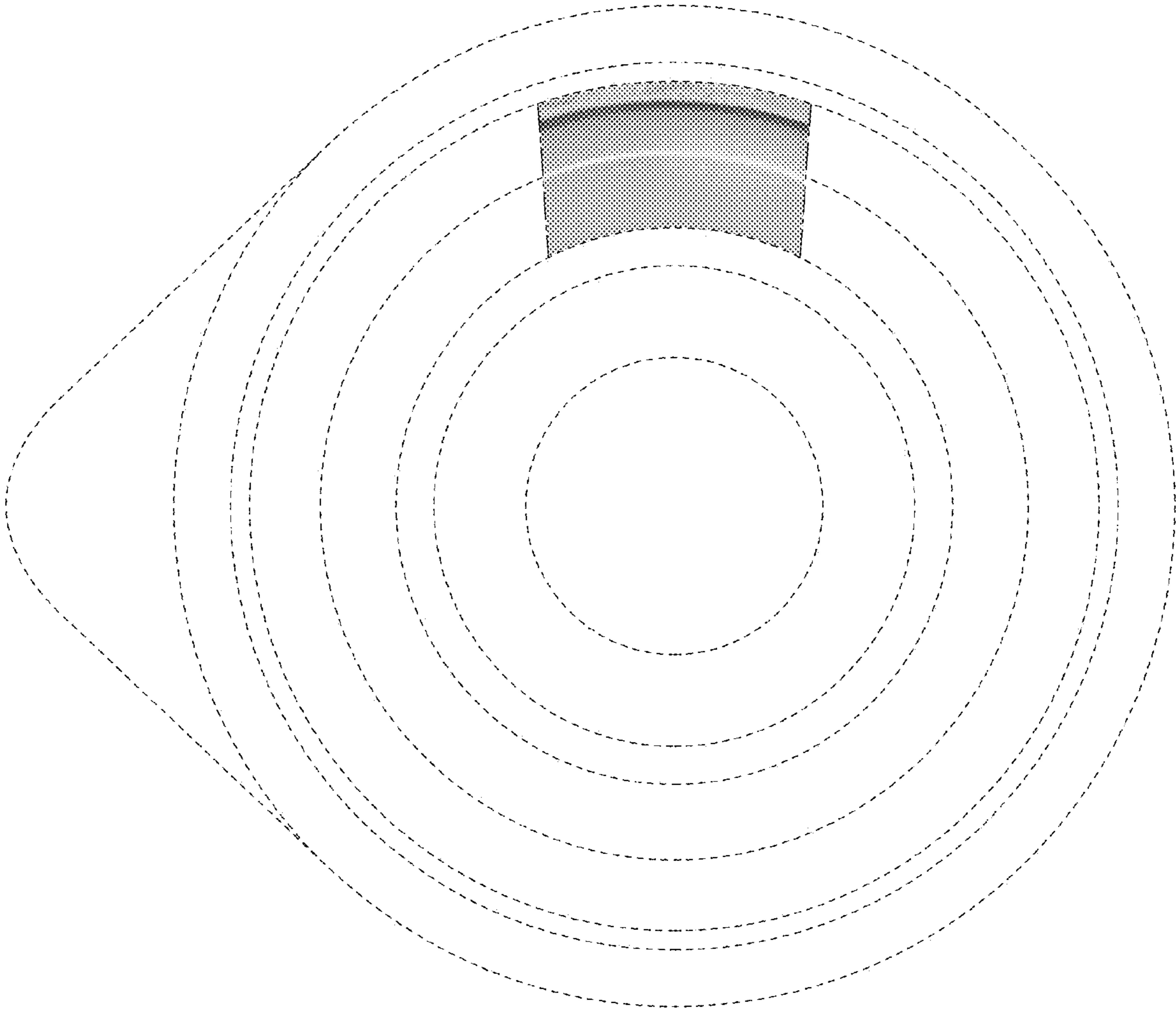


FIG. 6

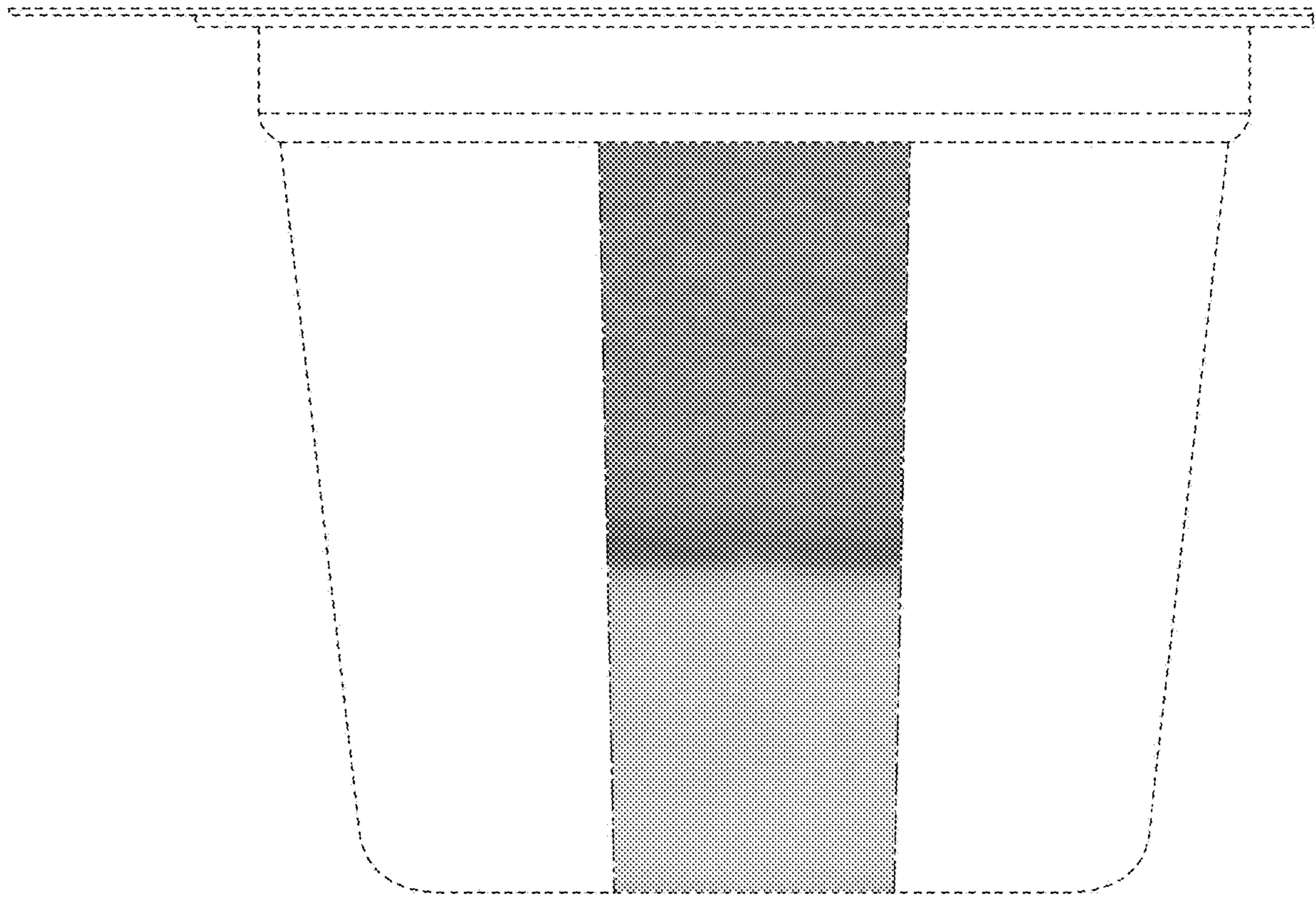


FIG. 7

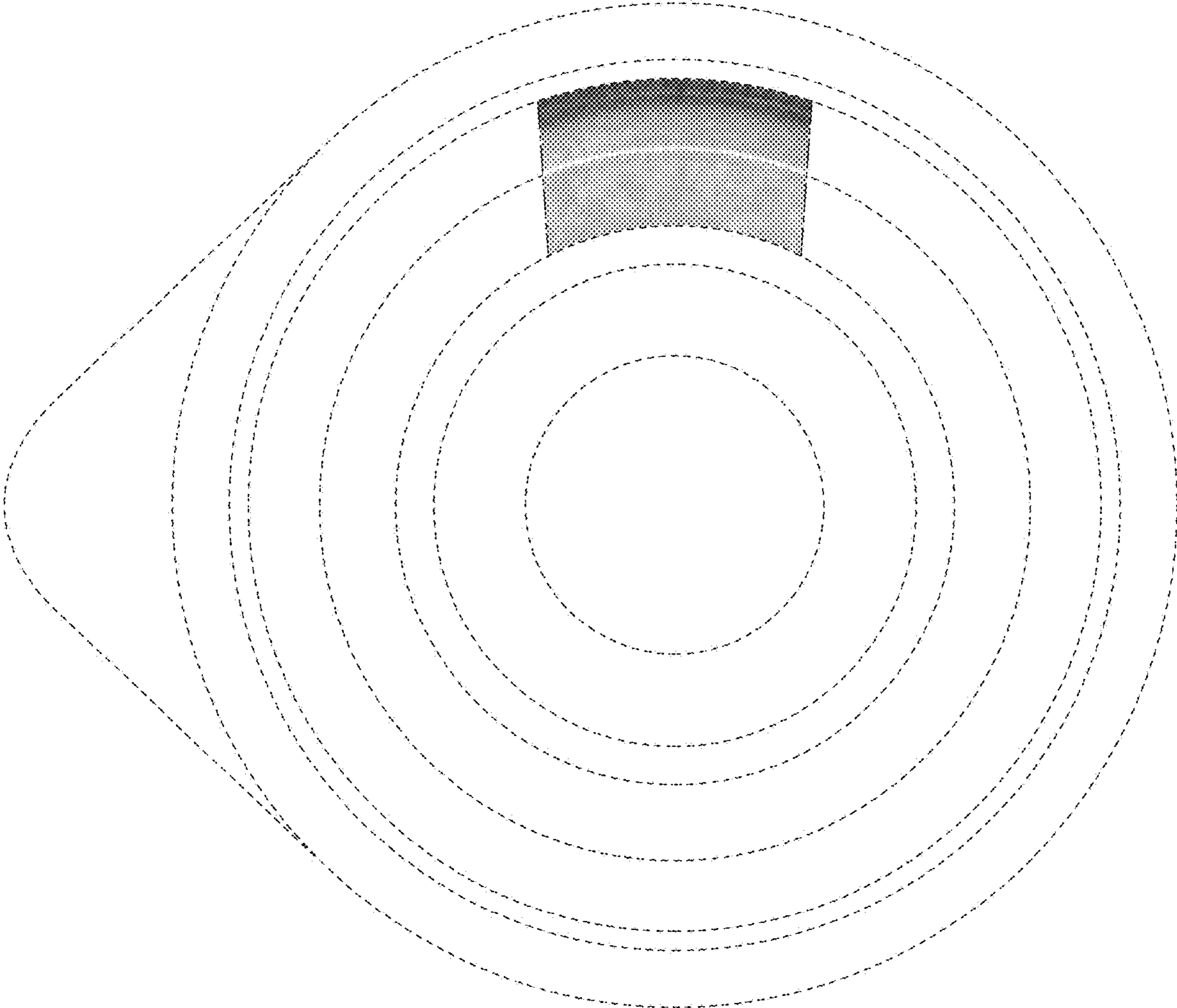


FIG. 8

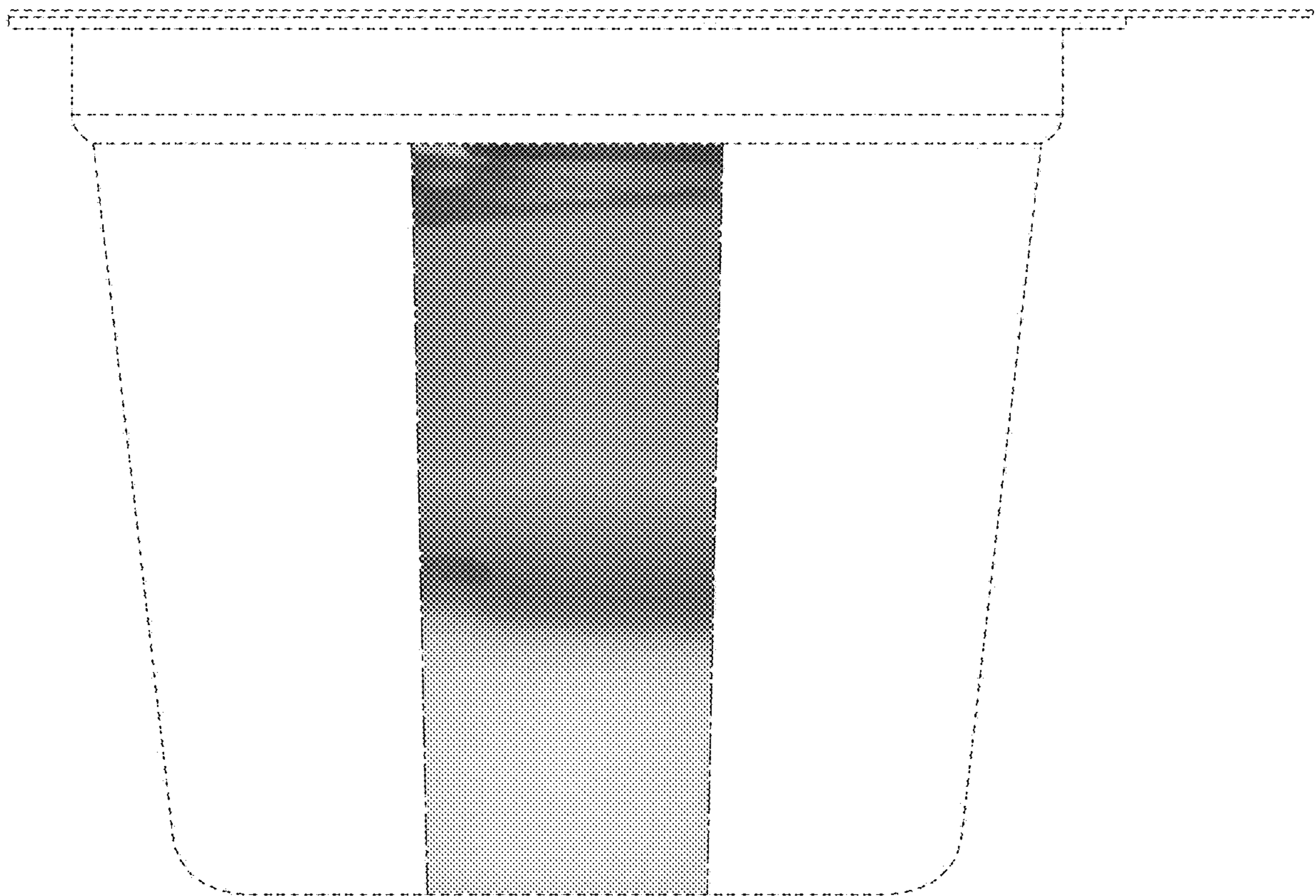


FIG. 9

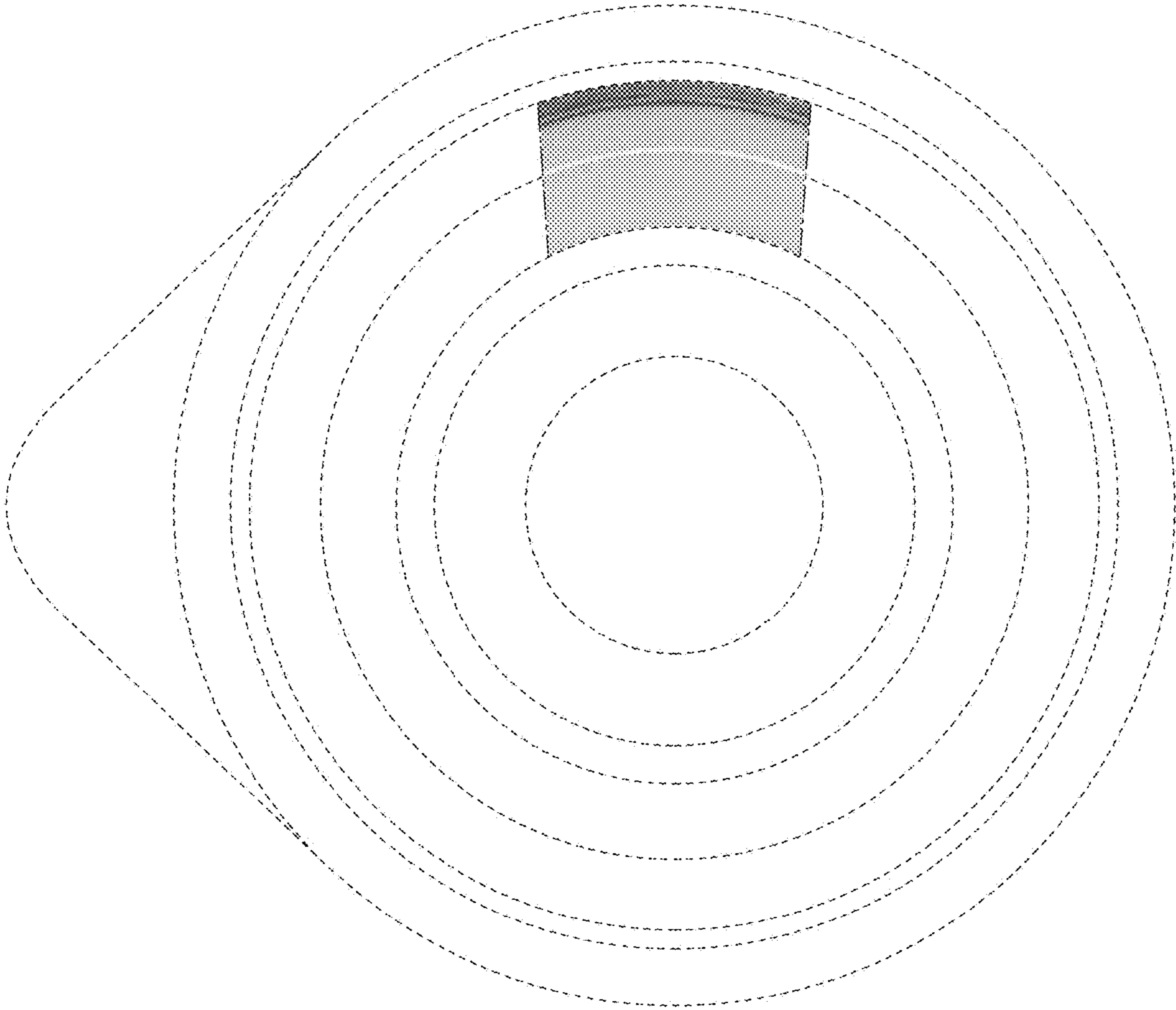


FIG. 10

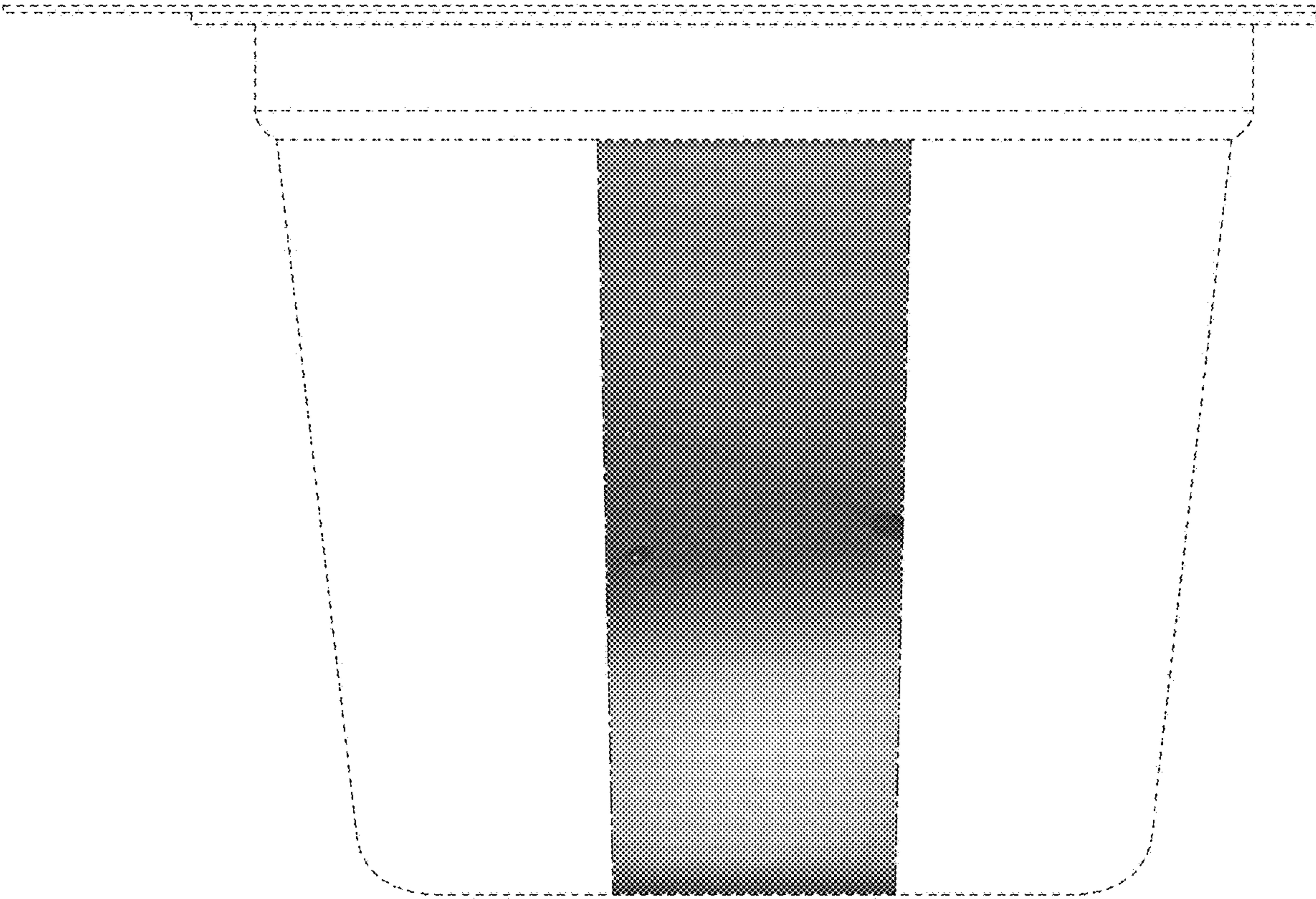


FIG. 11

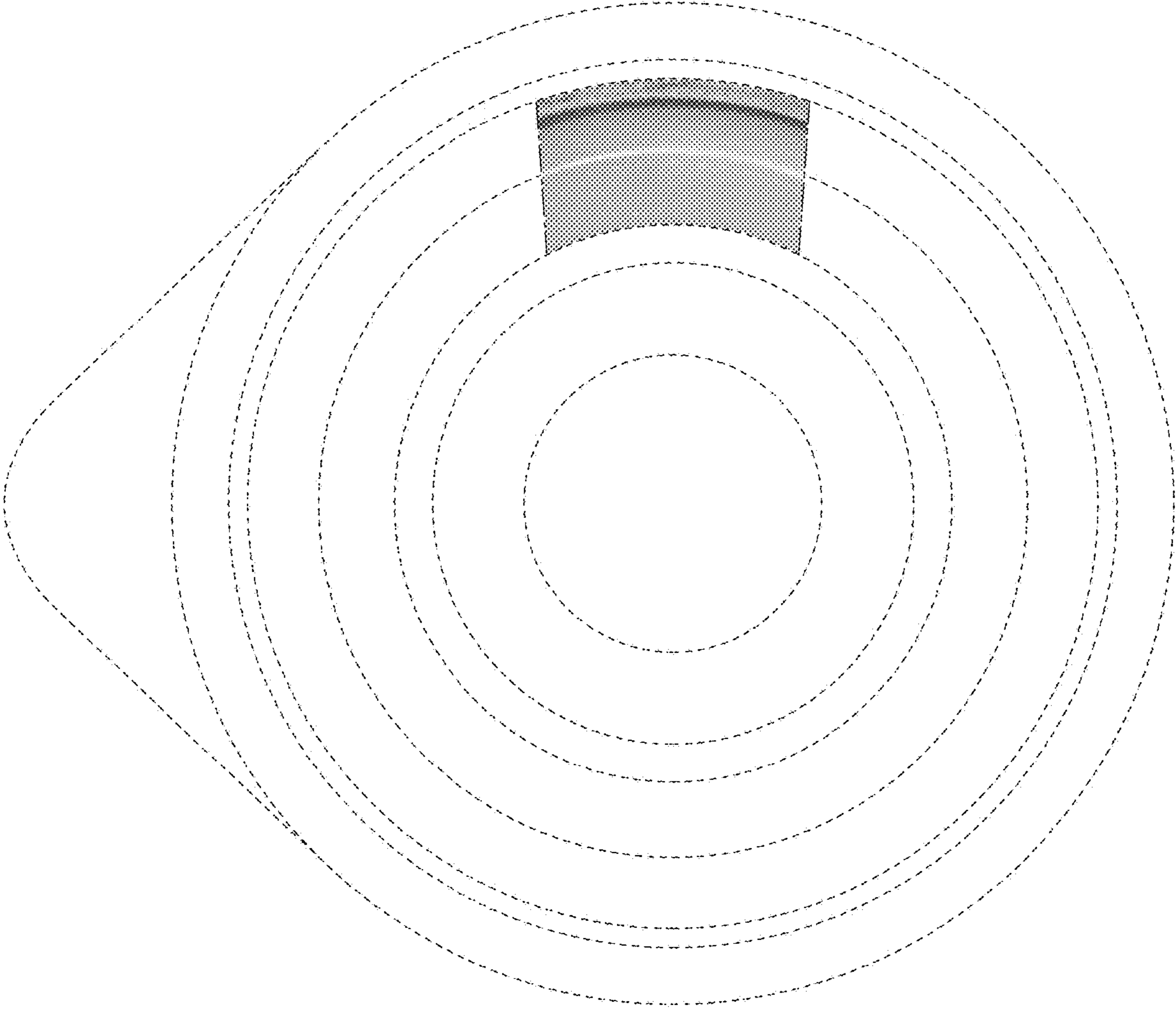


FIG. 12