



US00D976519S

(12) **United States Design Patent**
Moser

(10) **Patent No.:** **US D976,519 S**
(45) **Date of Patent:** **** Jan. 31, 2023**

(54) **FOOD PRODUCT**

(71) Applicant: **Kraft Foods Group Brands LLC**,
Chicago, IL (US)

(72) Inventor: **Hanna E. Moser**, Chicago, IL (US)

(73) Assignee: **Kraft Foods Group Brands LLC**,
Chicago, IL (US)

(**) Term: **15 Years**

(21) Appl. No.: **29/719,042**

(22) Filed: **Dec. 31, 2019**

(51) **LOC (14) Cl.** **01-01**

(52) **U.S. Cl.**
USPC **D1/102**

(58) **Field of Classification Search**
USPC D1/100-130, 199; 426/92, 94, 104, 134,
426/138, 143, 275, 277, 279, 281-284,
426/292, 295, 391, 496, 514, 566, 572,
426/660; 249/92; D8/83; D21/487;
D7/536, 607, 608; D9/430
CPC A23L 1/0067; A23L 1/1645; A23G 9/503;
A23G 9/48; A23G 3/54
See application file for complete search history.

(56) **References Cited**

U.S. PATENT DOCUMENTS

D178,152 S *	6/1956	Schwartz	D5/7
D231,135 S *	4/1974	Marcum	D1/104
D429,894 S *	8/2000	Bergin	D5/57
D704,416 S *	5/2014	Duncan	D1/102
D705,661 S *	5/2014	Marotti	D9/554
D715,141 S *	10/2014	Markle	D9/434
D736,081 S *	8/2015	Markle	D9/434
D736,082 S *	8/2015	Markle	D9/434
D736,620 S *	8/2015	Markle	D9/516
D748,474 S *	2/2016	Choi	D9/434

D835,931 S *	12/2018	Del Conte	D7/330
D927,069 S *	8/2021	Hindash	D28/83
D946,236 S *	3/2022	Sorkin	D1/102

OTHER PUBLICATIONS

Sara. "Ombre Cucake Tutorial." Bitz and Giggles. Jul. 21, 2014. Web. Jun. 14, 2022. <<https://bitzngiggles.com/ombre-cupcake-tutorial/>>.*

* cited by examiner

Primary Examiner — Katie Jane Stofko

(74) *Attorney, Agent, or Firm* — Fitch Even Tabin & Flannery LLP

(57) **CLAIM**

The ornamental design for a food product, as shown and described.

DESCRIPTION

The patent or application file contains at least one drawing or photograph executed in color. Copies of this patent or patent application publication with color drawings or photographs will be provided by the Office upon request and payment of the necessary fee.

FIG. 1 is a front elevation view of a first embodiment of a food product according to my new design;

FIG. 2 is a bottom plan view thereof;

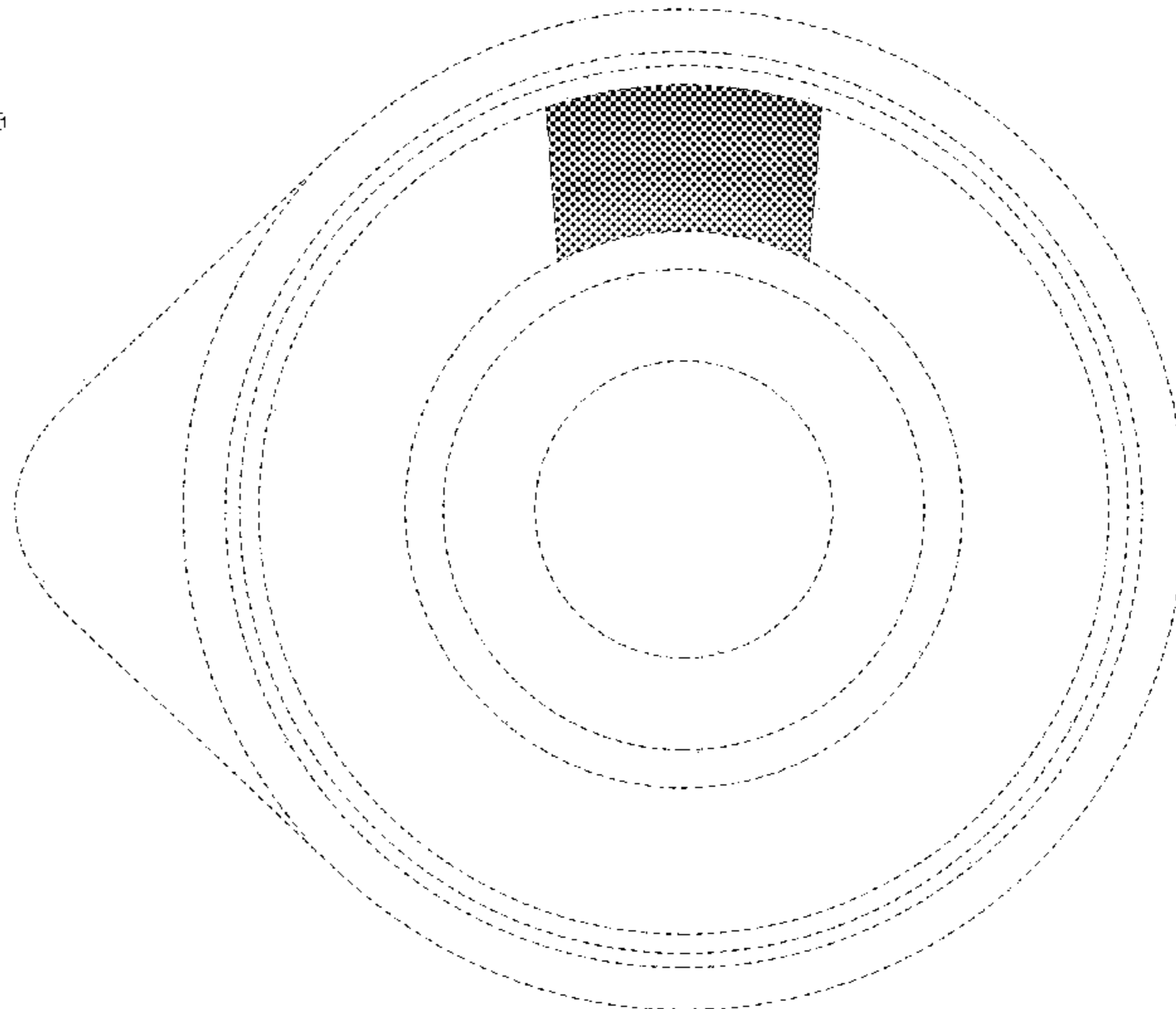
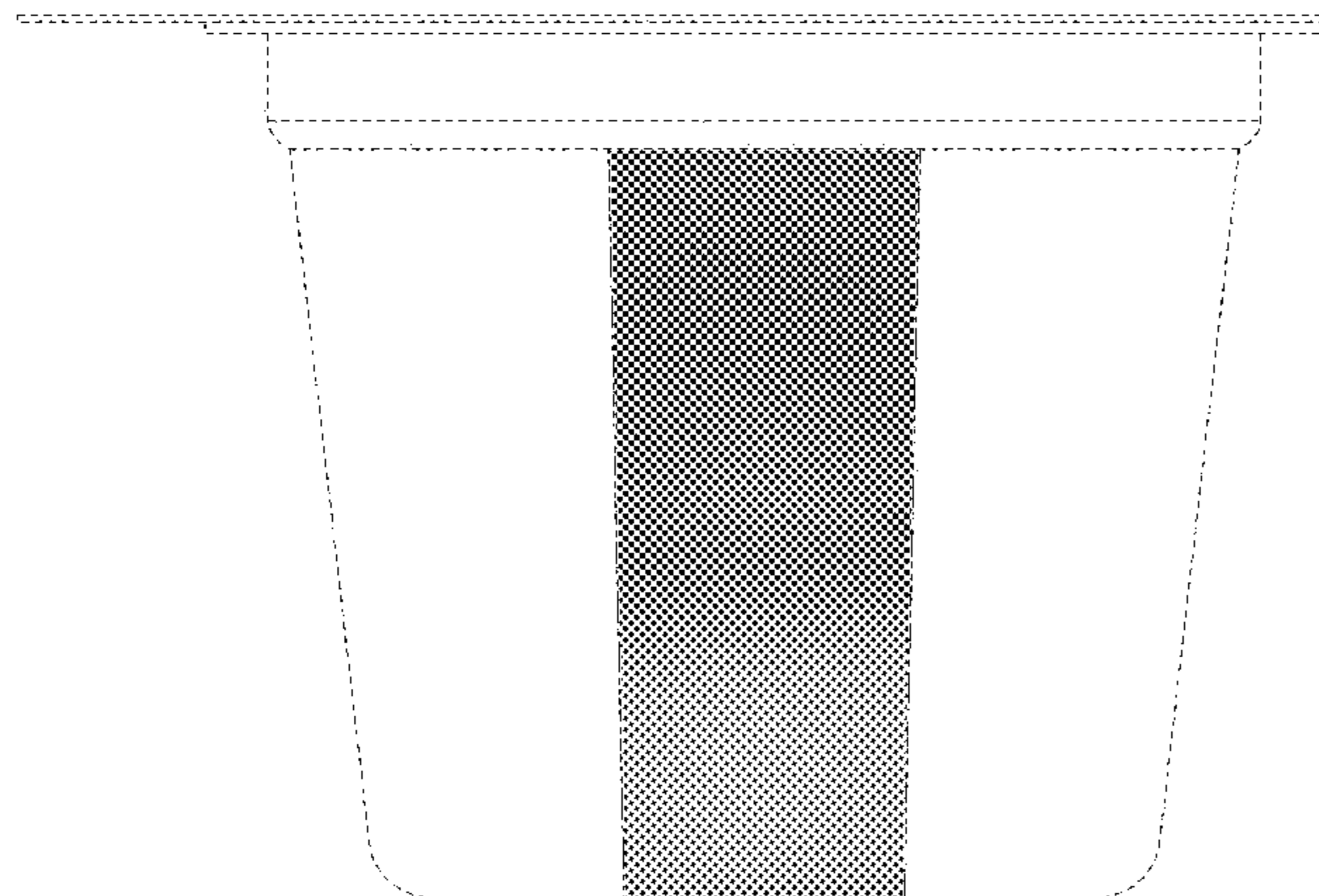
FIG. 3 is a front elevation view of a second embodiment of a food product according to my new design; and,

FIG. 4 is a bottom plan view thereof.

The broken lines are included for the purpose of illustrating the unclaimed portions of the food product and form no part of the claim.

The dash-dot broken lines in FIGS. 1-4 illustrate boundaries of the claimed design and form no part of the claimed design.

1 Claim, 4 Drawing Sheets
(4 of 4 Drawing Sheet(s) Filed in Color)



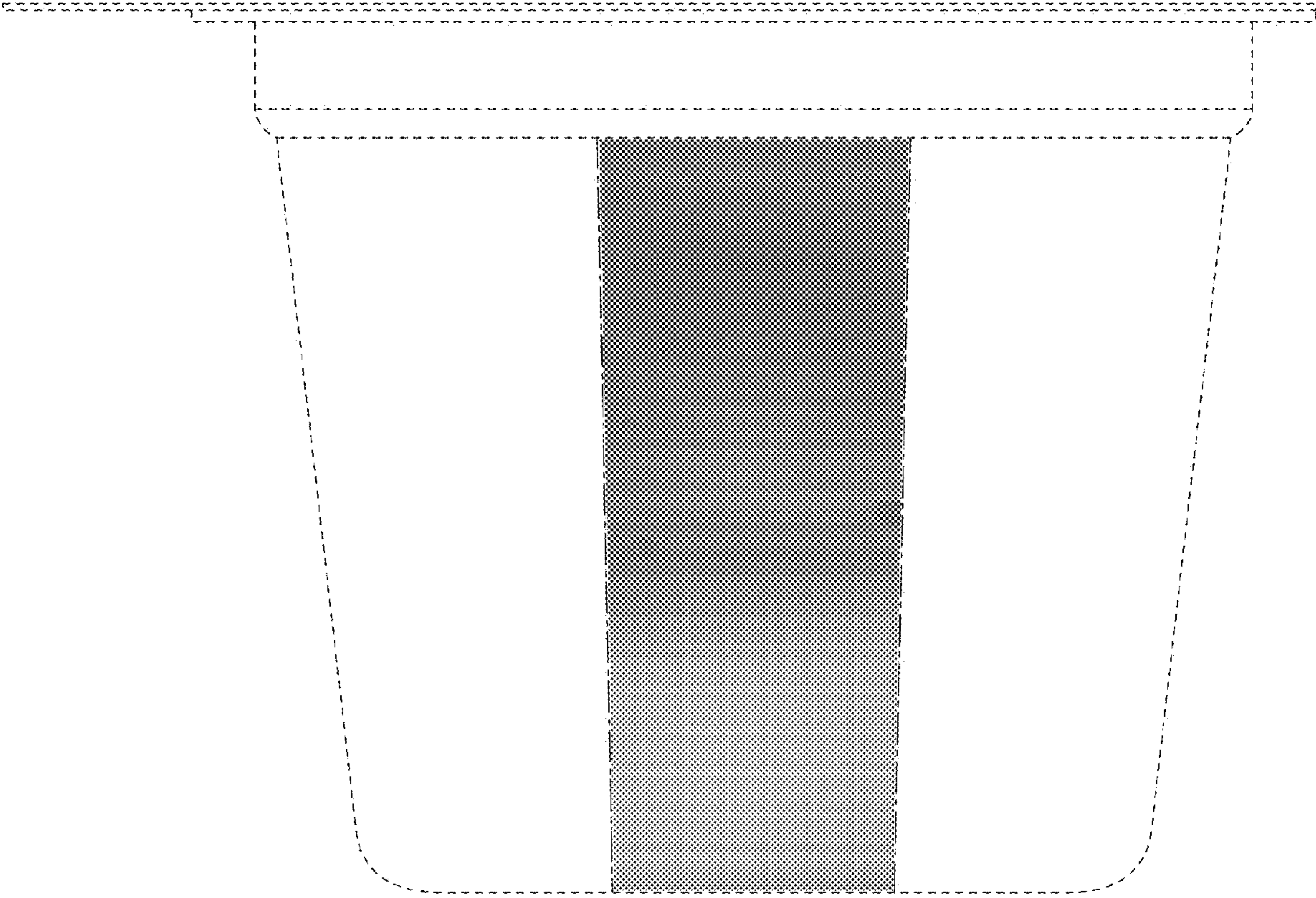


FIG. 1

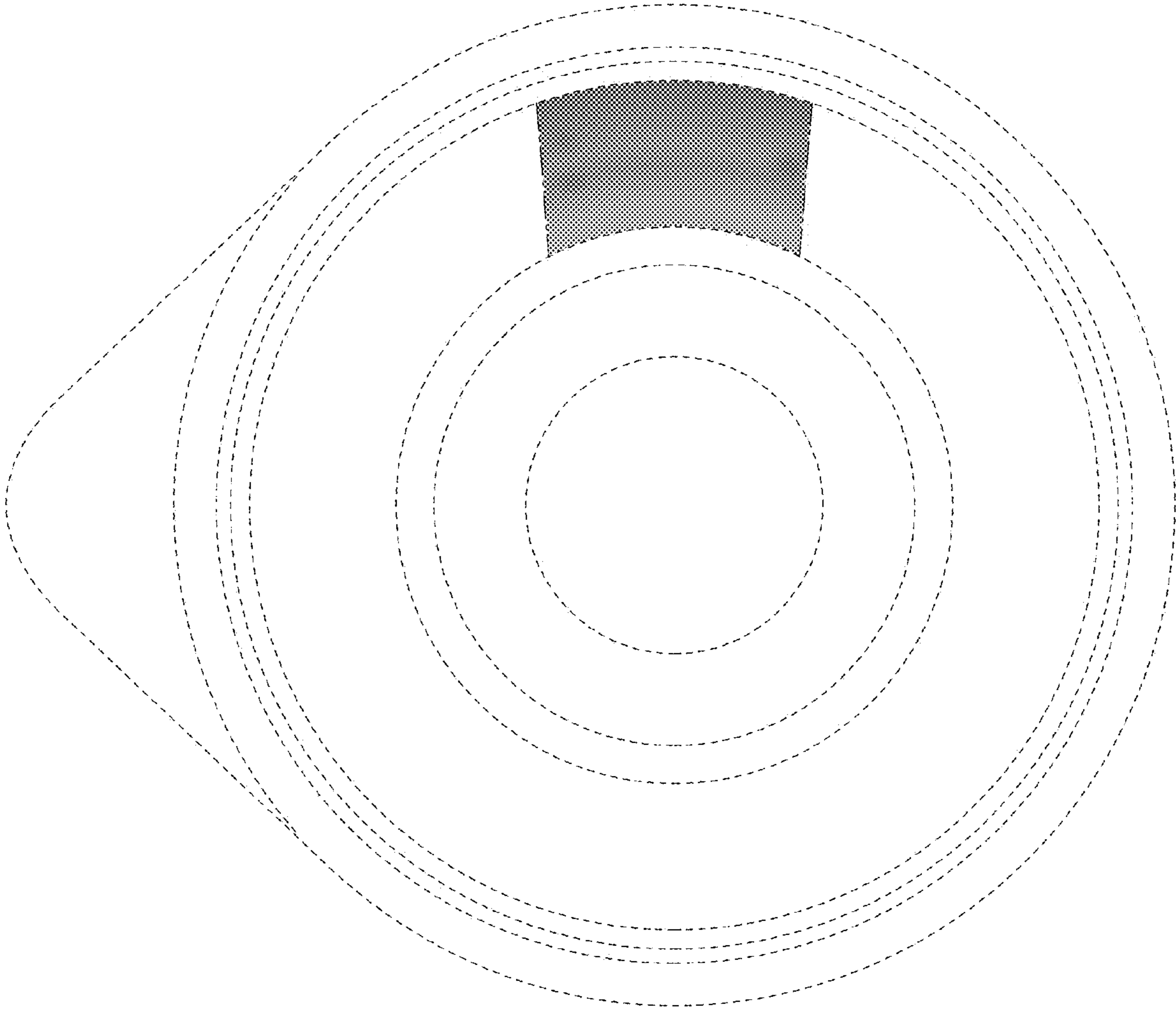


FIG. 2

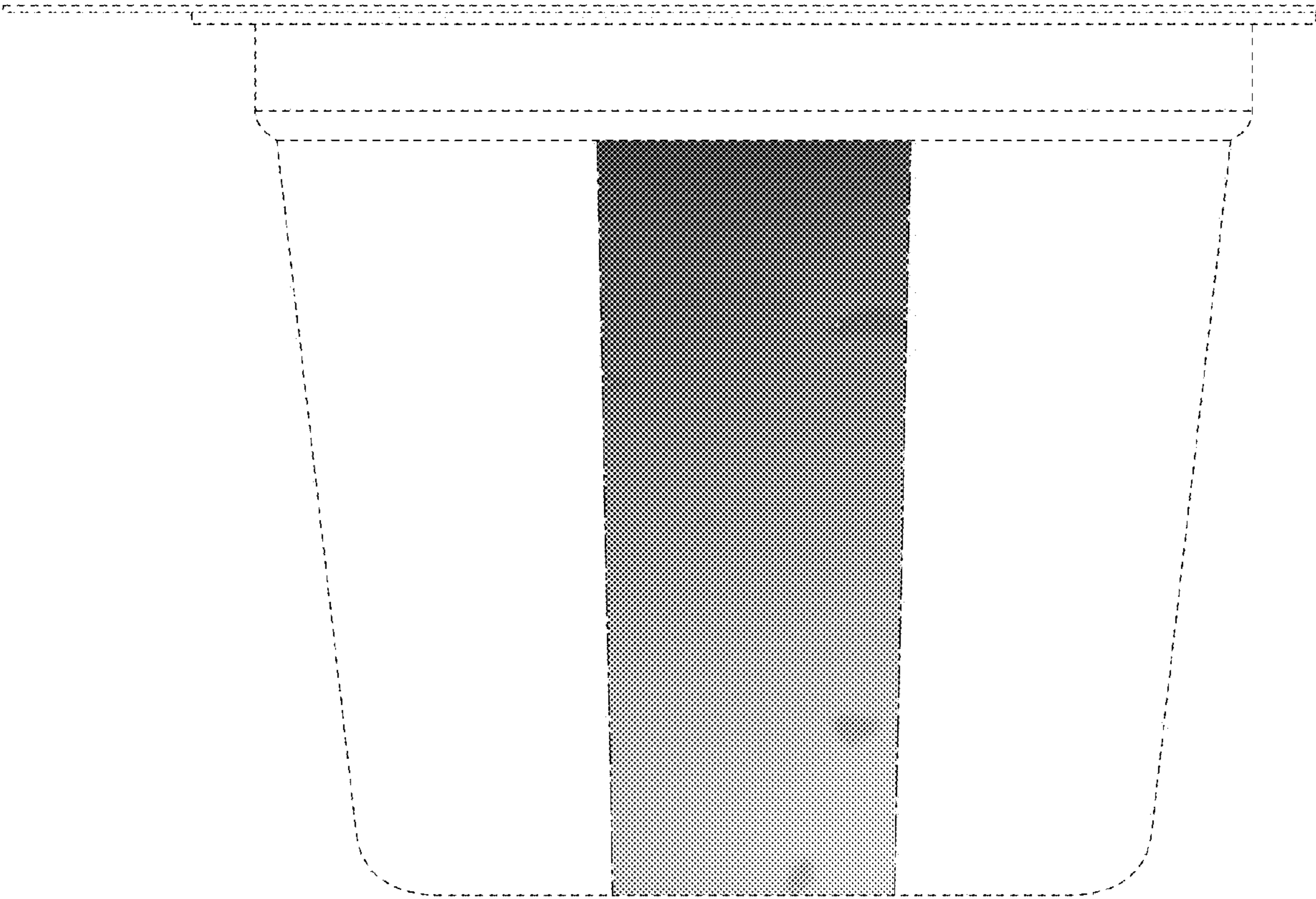


FIG. 3

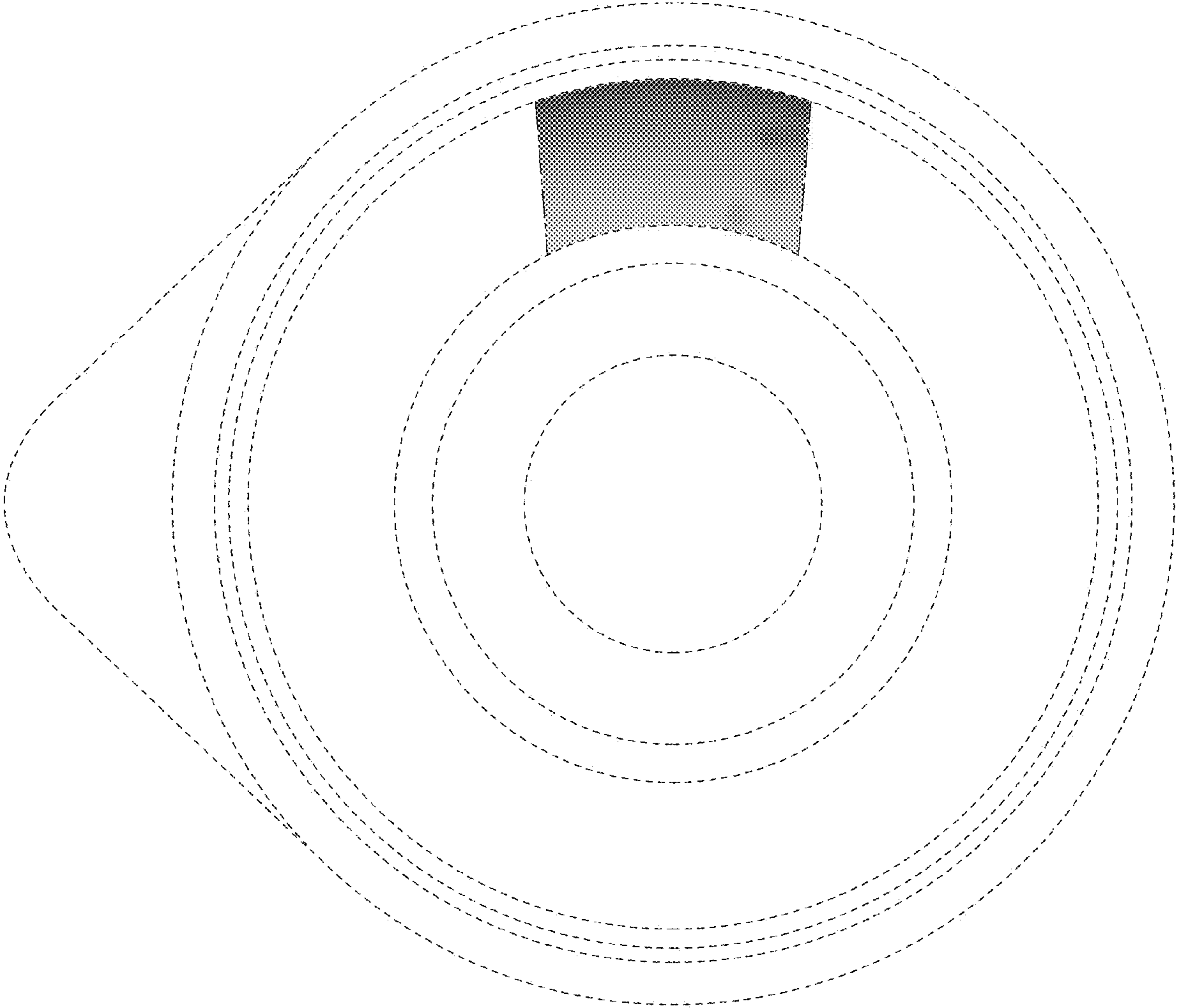


FIG. 4