



US00D976517S

(12) **United States Design Patent**
Huang

(10) **Patent No.:** **US D976,517 S**

(45) **Date of Patent:** **** Jan. 24, 2023**

(54) **WOODEN PIGGY BANK**

(71) Applicant: **Xiaomin Huang**, Shenzhen (CN)

(72) Inventor: **Xiaomin Huang**, Shenzhen (CN)

(**) Term: **15 Years**

(21) Appl. No.: **29/814,363**

(22) Filed: **Nov. 5, 2021**

(51) **LOC (14) Cl.** **99-00**

(52) **U.S. Cl.**
USPC **D99/28**

(58) **Field of Classification Search**

USPC D99/28, 34, 35, 36, 37, 43, 99; D3/901,
D3/902, 903, 904, 905, 201, 272, 273;
D18/3.1, 3.3, 12.1

CPC A45C 1/12; A45C 2001/125; A45C
2001/102; A45C 2001/104; A45C
2001/006; A45C 2001/003; A45C
2001/105; A45C 2001/107; E05G 1/00;
E05G 1/005; E05G 1/024; E05G 1/026;
E05G 5/00; E05G 7/00; E05G 7/001;
E05G 2700/00; E05G 2700/02; B63C
7/30; G07D 9/00; G07D 9/002; G07D
9/004; G07D 9/006; G07D 9/008; G07D
9/02; G07D 9/04; G07D 9/06; G07D
9/065; G07D 11/00; G07D 11/0021;
G07D 13/00; G07D 2201/00; G07D
2211/00; G07F 9/06; G07F 9/08
See application file for complete search history.

(56) **References Cited**

U.S. PATENT DOCUMENTS

D129,939 S * 10/1941 Kodama D99/36
D155,798 S * 11/1949 Gaulke D99/36
2,532,857 A * 12/1950 Ricciardi B65D 25/54
229/162.1
D165,385 S * 12/1951 Maage, Jr. D99/36
D169,773 S * 6/1953 Maage, Jr. D99/36
D247,728 S * 4/1978 Nichols D6/559

D256,511 S * 8/1980 Atkin D99/35
D335,748 S * 5/1993 Suzuki D99/34
5,769,006 A * 6/1998 Allaer E05G 1/00
109/51
D458,727 S 6/2002 Beacham
D474,596 S * 5/2003 Osiecki D3/273
D512,805 S 12/2005 Anderson
D565,274 S 3/2008 Pickering
D565,275 S 3/2008 Shields

(Continued)

OTHER PUBLICATIONS

Ales Gifts Adult Piggy Bank | Savings Shadow Box | Wood Piggy Bank for Teachers | Money Saving Box | Piggy Bank Wooden | Wood Piggy Bank, <https://www.kmart.com/ales-gifts-adult-piggy-bank-savings-shadow/p-A109625361>, © 2022 Transform SR Brands LLC. (Year: 2022).*

(Continued)

Primary Examiner — Elizabeth J Oswecki

(74) *Attorney, Agent, or Firm* — Rumit Ranjit Kanakia

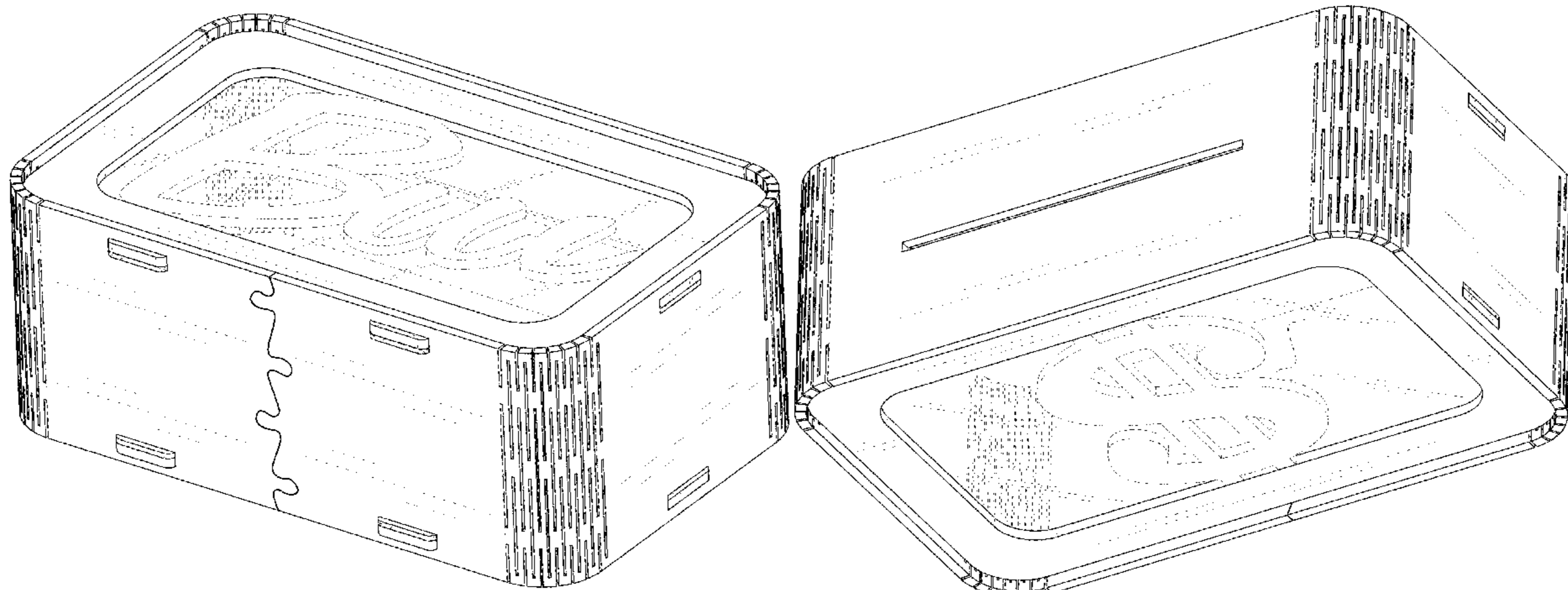
(57) **CLAIM**

The ornamental design for a wooden piggy bank, as shown and described.

DESCRIPTION

FIG. 1 is a perspective view of a wooden piggy bank showing my new design;
FIG. 2 is another perspective view thereof;
FIG. 3 is a front elevational view thereof;
FIG. 4 is a rear elevational view thereof;
FIG. 5 is a left side elevational view thereof;
FIG. 6 is a right side elevational view thereof;
FIG. 7 is a top plan view thereof; and,
FIG. 8 is a bottom plan view thereof.
The broken lines in the figures are for the purposes of illustrating portions of the wooden piggy bank, which form no part of the claimed design.

1 Claim, 8 Drawing Sheets



(56)

References Cited

U.S. PATENT DOCUMENTS

D624,275 S * 9/2010 Min D99/28
D737,540 S 8/2015 Borella
D772,522 S * 11/2016 Henderson D99/28
D789,023 S 6/2017 Kawlath
D855,279 S 7/2019 Camarato
D871,712 S * 12/2019 Lawrence D99/28
D871,715 S 12/2019 Massie
D891,725 S 7/2020 Camarato
D896,465 S 9/2020 Totman
D948,866 S * 4/2022 Wilkins D3/273

OTHER PUBLICATIONS

Wooden Piggy Bank With Window 18 × 13 × 8 Cm,<https://youdoit.fr/en/piggy-banks/16850-wooden-piggy-bank-with-window-18-x-13-x-8-cm.html>, 2022. (Year: 2022).*

* cited by examiner

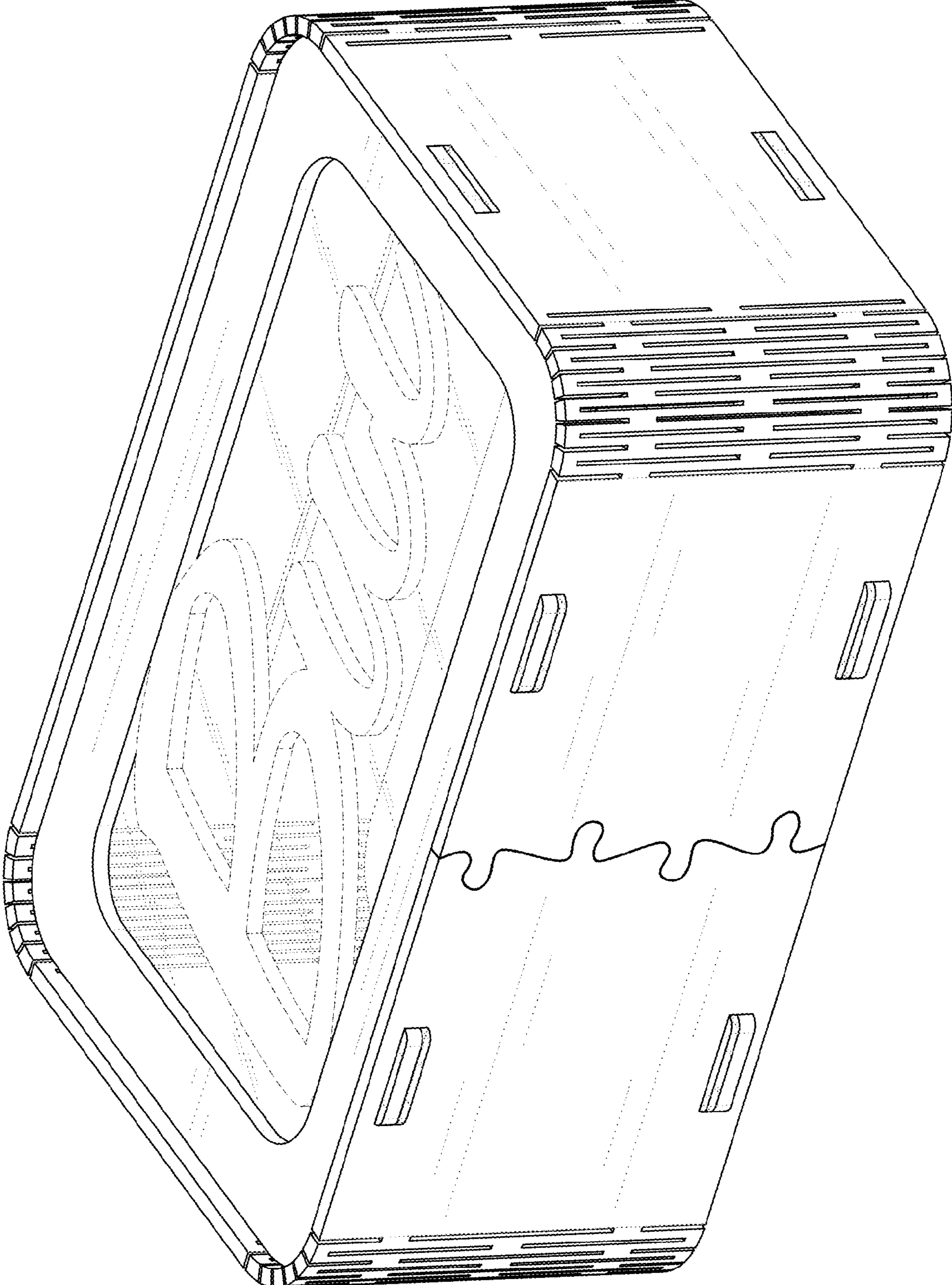


FIG. 1

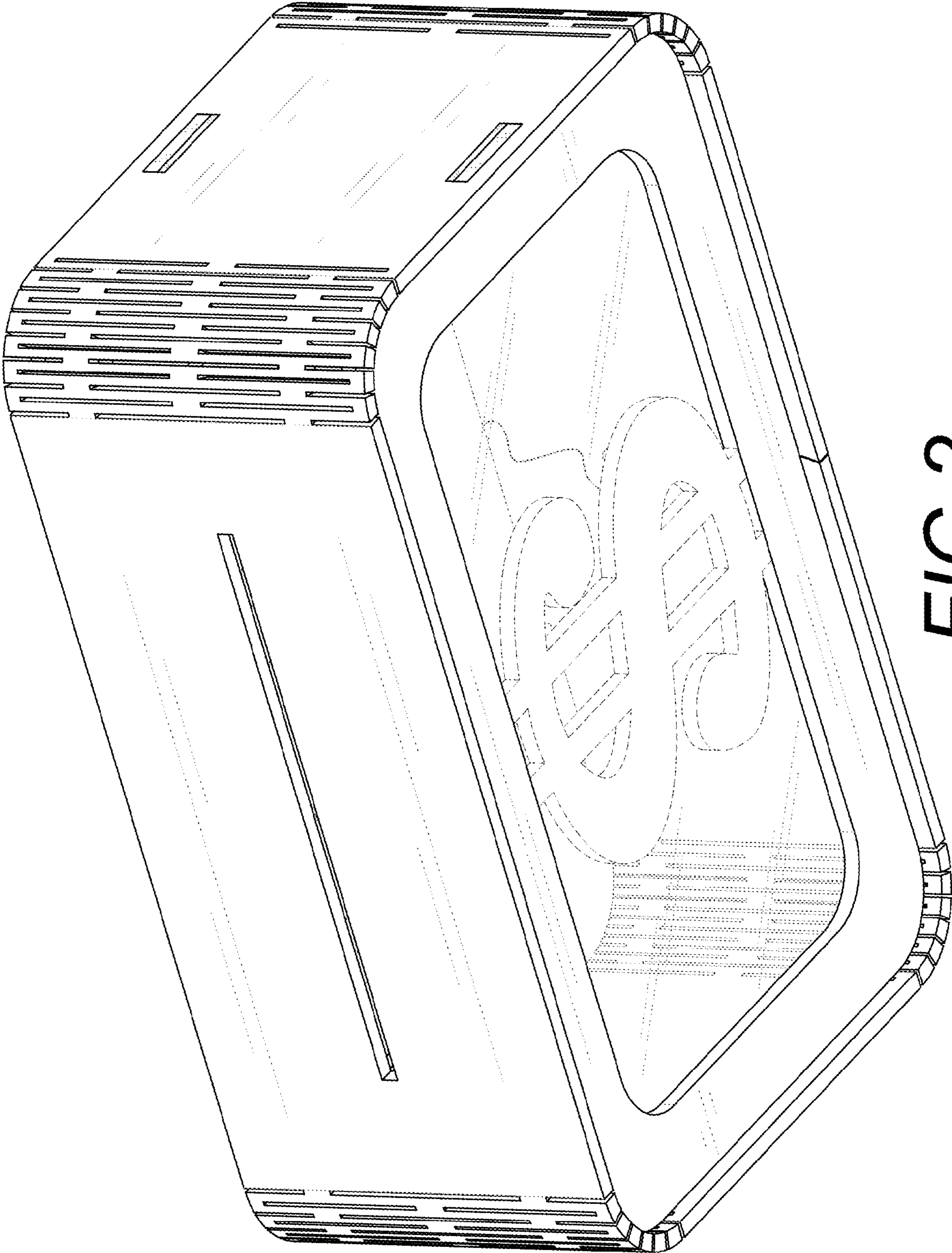


FIG. 2

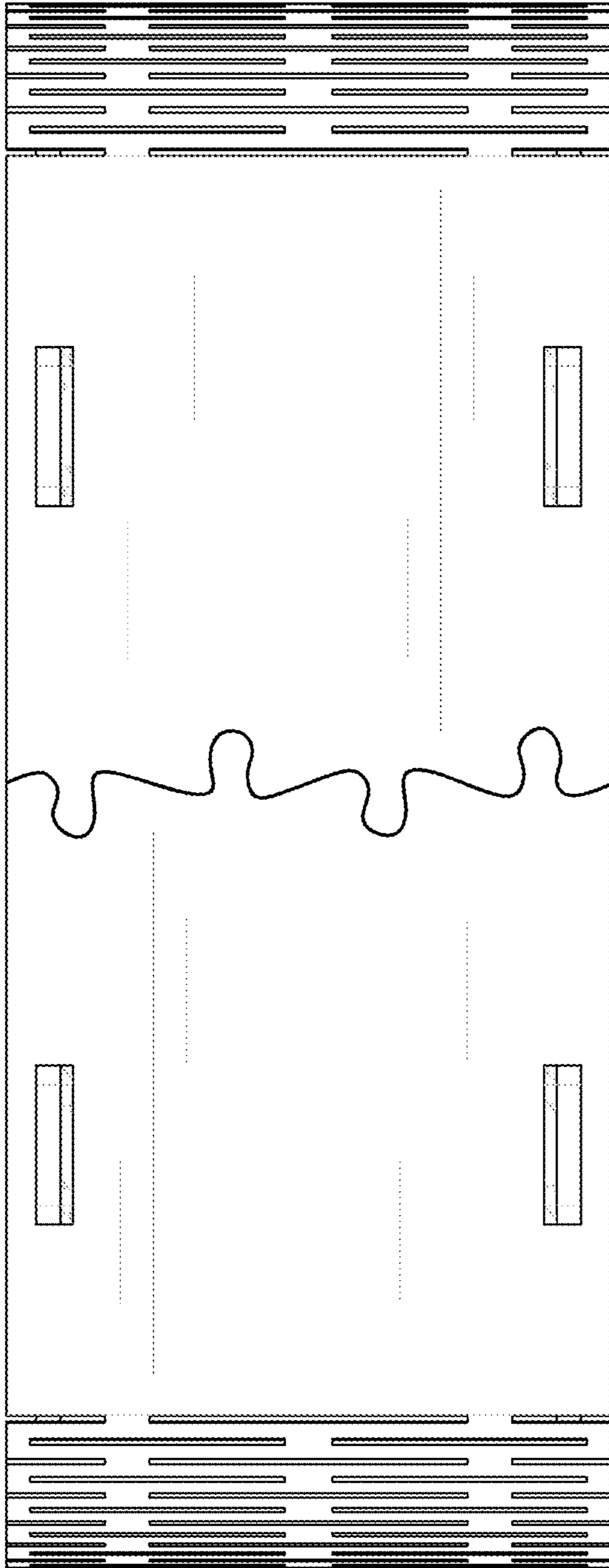


FIG. 3

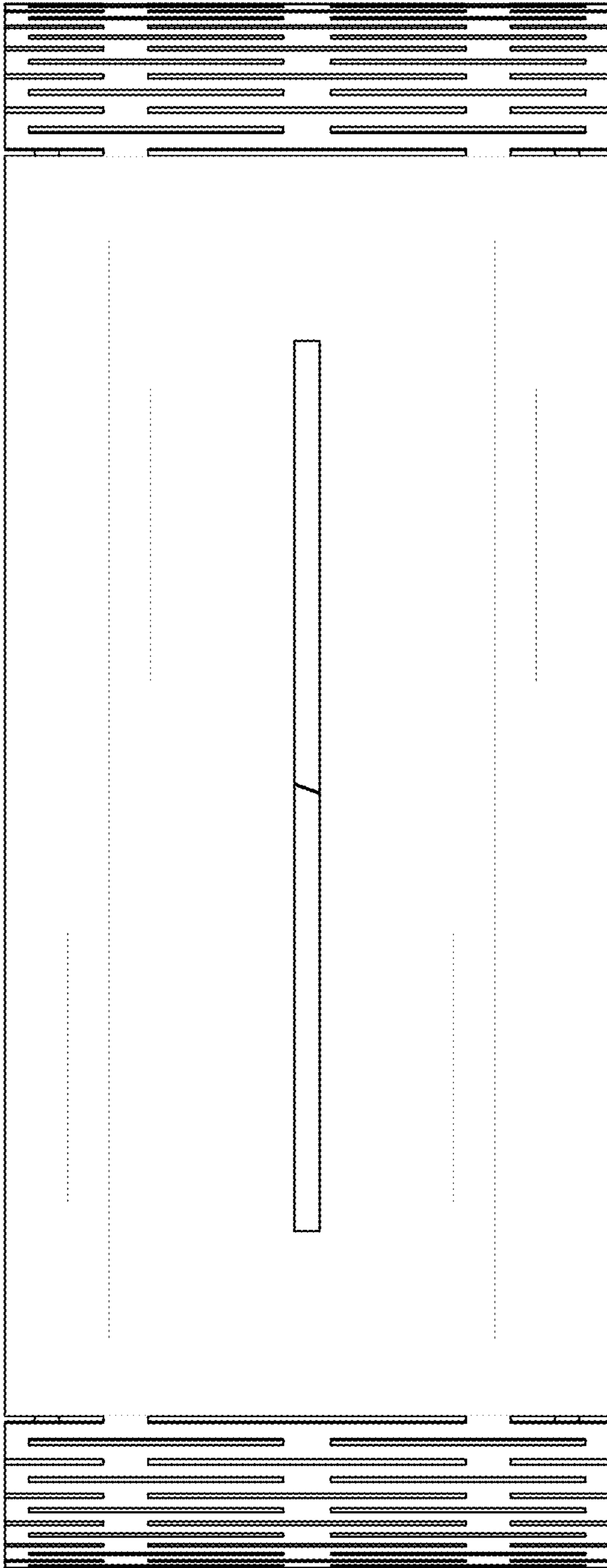


FIG. 4

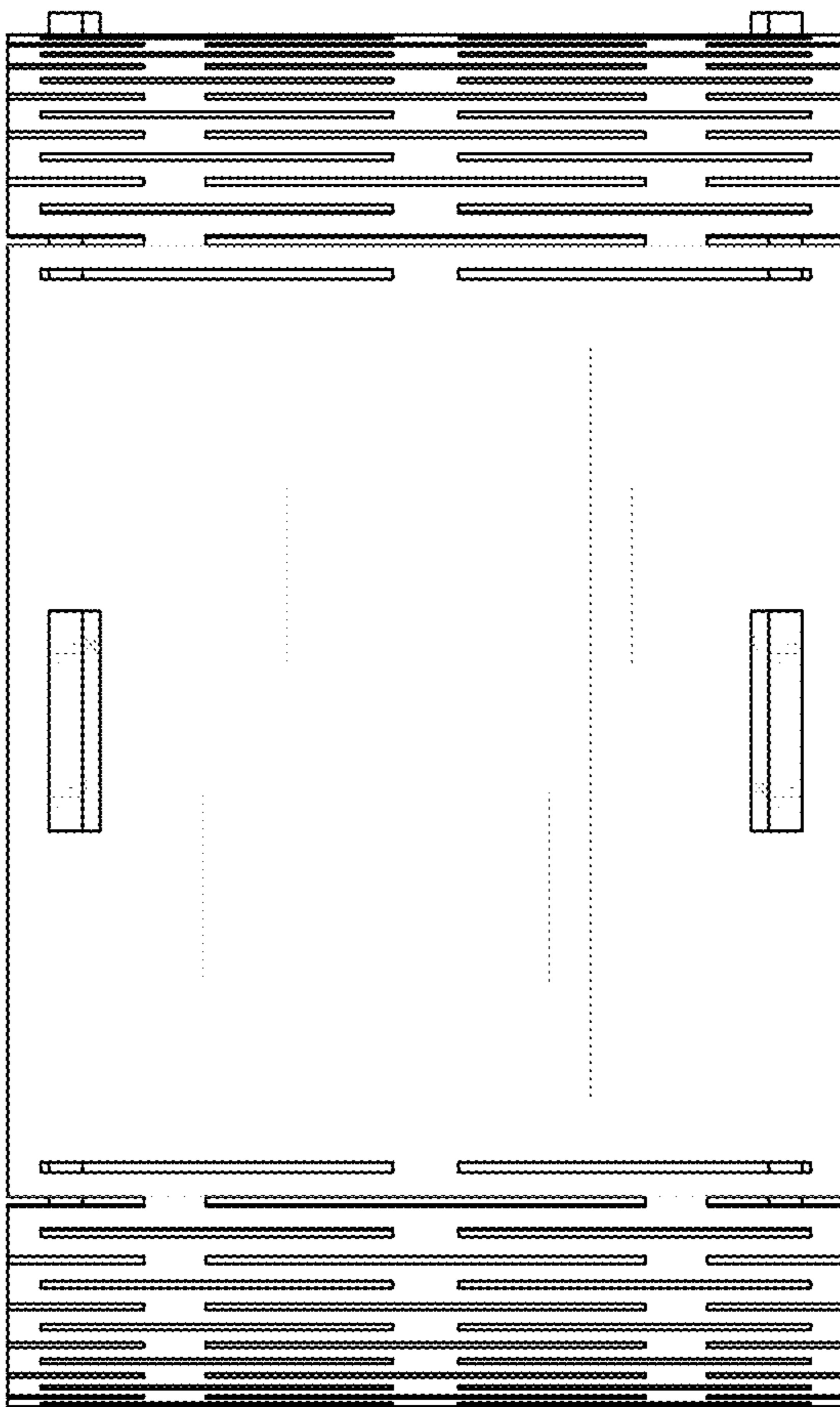


FIG. 5

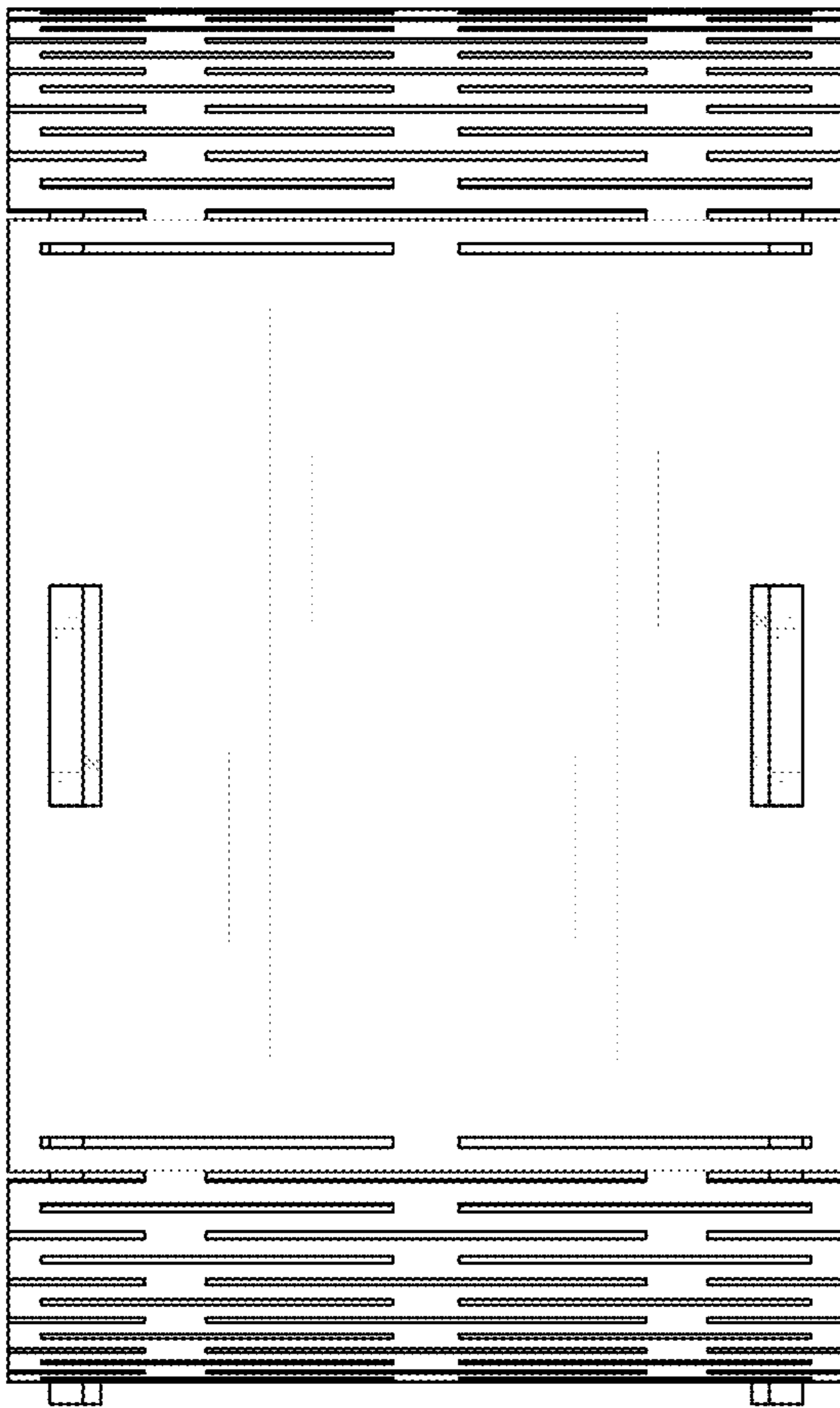


FIG. 6

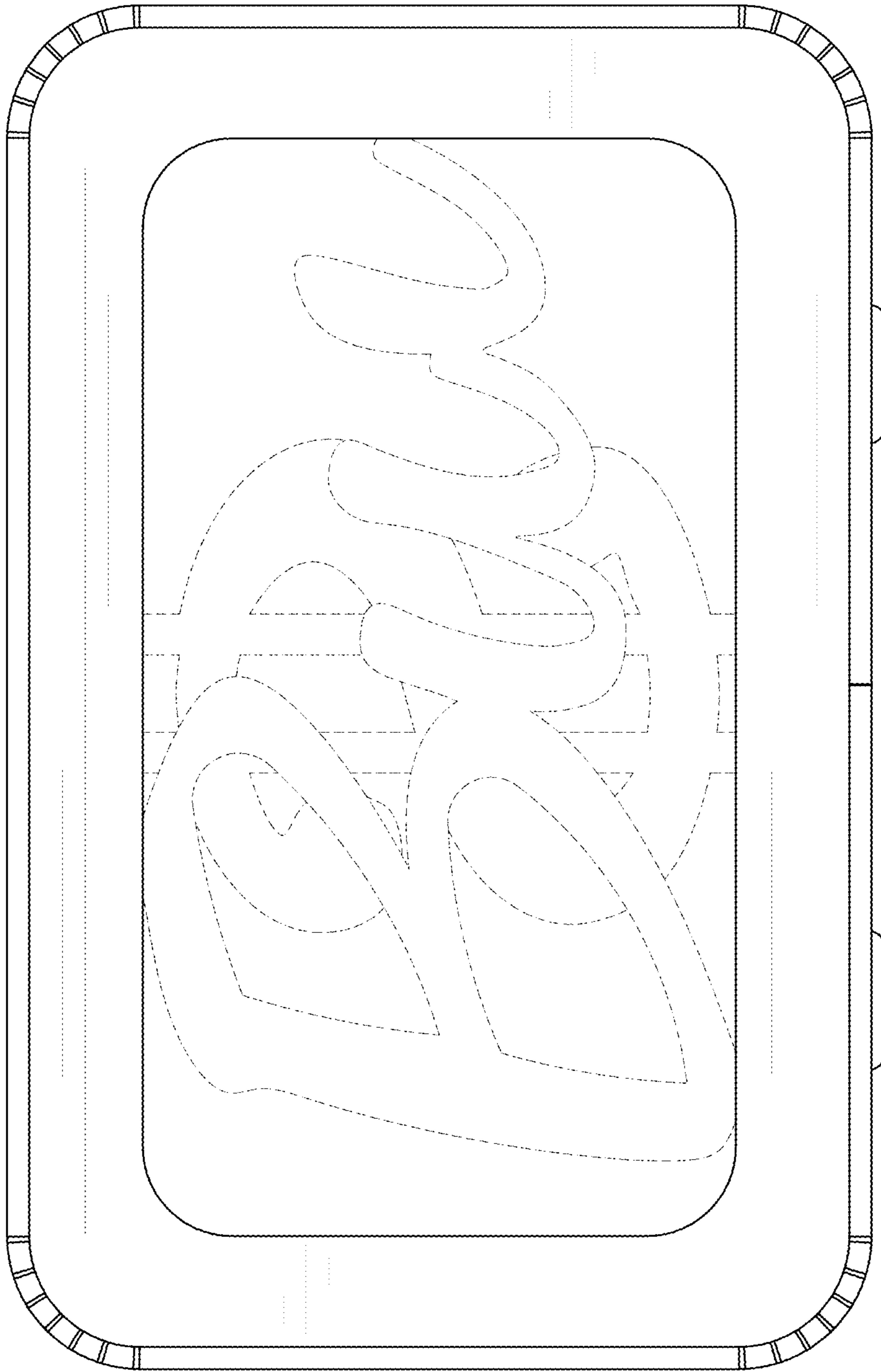


FIG. 7

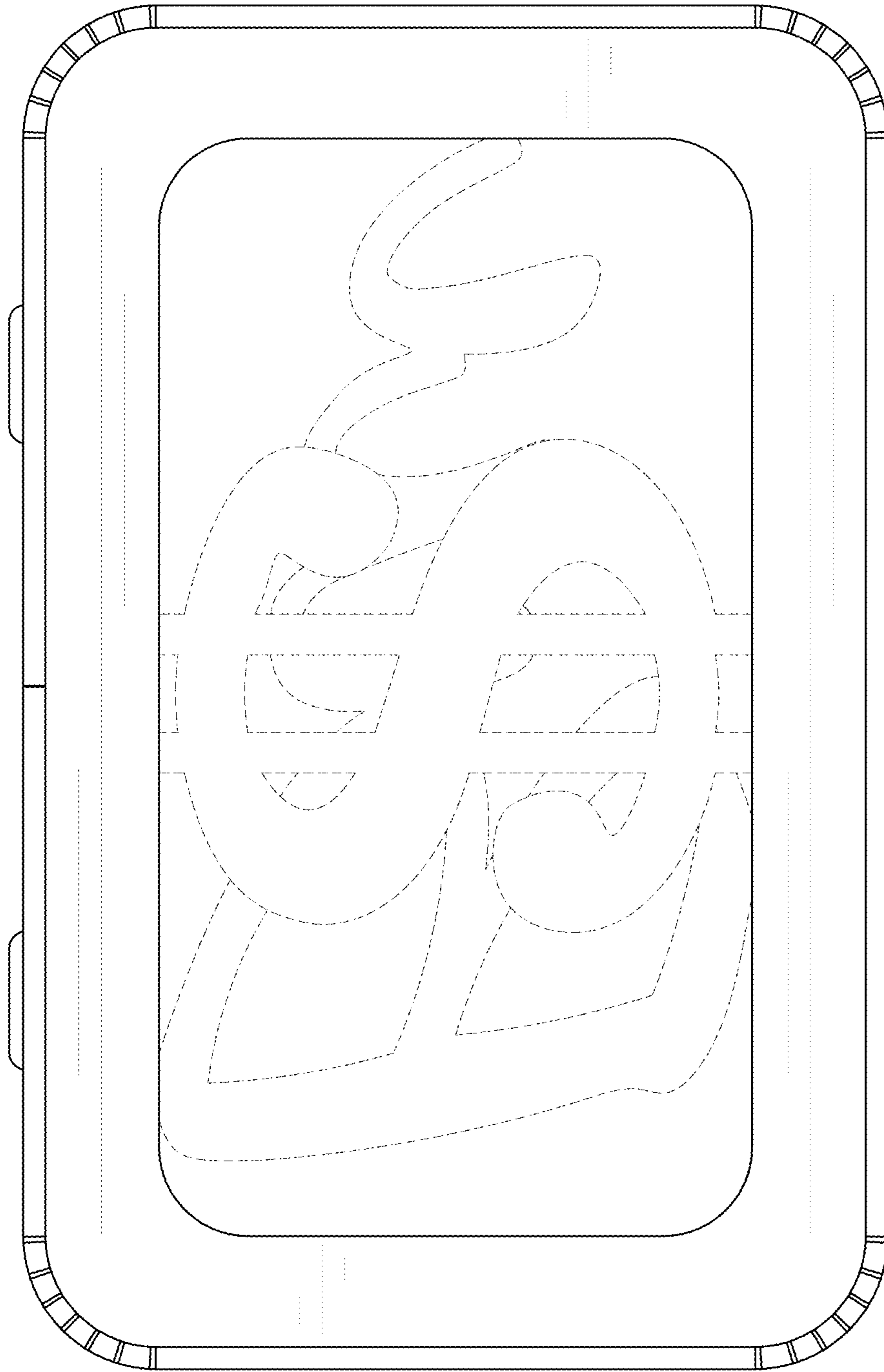


FIG. 8