



US00D976514S

(12) **United States Design Patent**
Hung

(10) **Patent No.:** **US D976,514 S**

(45) **Date of Patent:** **** Jan. 24, 2023**

(54) **CART BASE**

(71) Applicant: **MODERNSOLID INDUSTRIAL CO., LTD.**, Taichung (TW)

(72) Inventor: **Chin-Jui Hung**, Taichung (TW)

(73) Assignee: **MODERNSOLID INDUSTRIAL CO., LTD.**, Taichung (TW)

(**) Term: **15 Years**

(21) Appl. No.: **29/767,913**

(22) Filed: **Jan. 26, 2021**

(30) **Foreign Application Priority Data**

Jul. 29, 2020 (TW) 109304207

(51) **LOC (14) Cl.** **12-02**

(52) **U.S. Cl.**
USPC **D34/27**

(58) **Field of Classification Search**
USPC D34/12, 14, 16, 17, 18, 23, 24, 27, 28;
D6/708.17, 708.24

CPC . B60B 33/00; B60B 33/0002; B60B 33/0007;
B60B 33/0018; B60B 33/0042; B60B
33/0049; B60B 33/0057; B60B 33/0068;
B60B 33/0073

See application file for complete search history.

(56) **References Cited**

U.S. PATENT DOCUMENTS

D27,784 S * 10/1897 Gander D6/680
D141,889 S * 7/1945 Loman 248/188.7
D260,216 S * 8/1981 Buhk D6/708.24
D296,597 S * 7/1988 Adams 280/32.6
4,998,699 A * 3/1991 Butler A47C 7/004
248/188.7

D393,764 S * 4/1998 Hundertmark D6/708.23
D493,977 S * 8/2004 Rossini D34/27
D534,746 S * 1/2007 Rossini D6/708.17
D650,615 S * 12/2011 Hazzard D6/708.24
2009/0250898 A1* 10/2009 Chen B62H 3/08
280/293
2011/0089654 A1* 4/2011 Chen B62B 5/0093
280/79.11

FOREIGN PATENT DOCUMENTS

CN 304634607 * 5/2018
CN 306209798 * 12/2020

OTHER PUBLICATIONS

Amazon cart, announced Nov. 2020 [online], [site visited Sep. 22, 2022]. Avail from int, URL: https://www.amazon.com/Aluminum-Computer-Sit-Stand-Workstation-Adjustable/dp/B08N17WWFC/ref=sr_1_60 (Year: 2020).*

(Continued)

Primary Examiner — Cynthia Ramirez
Assistant Examiner — Tamara L Hahn

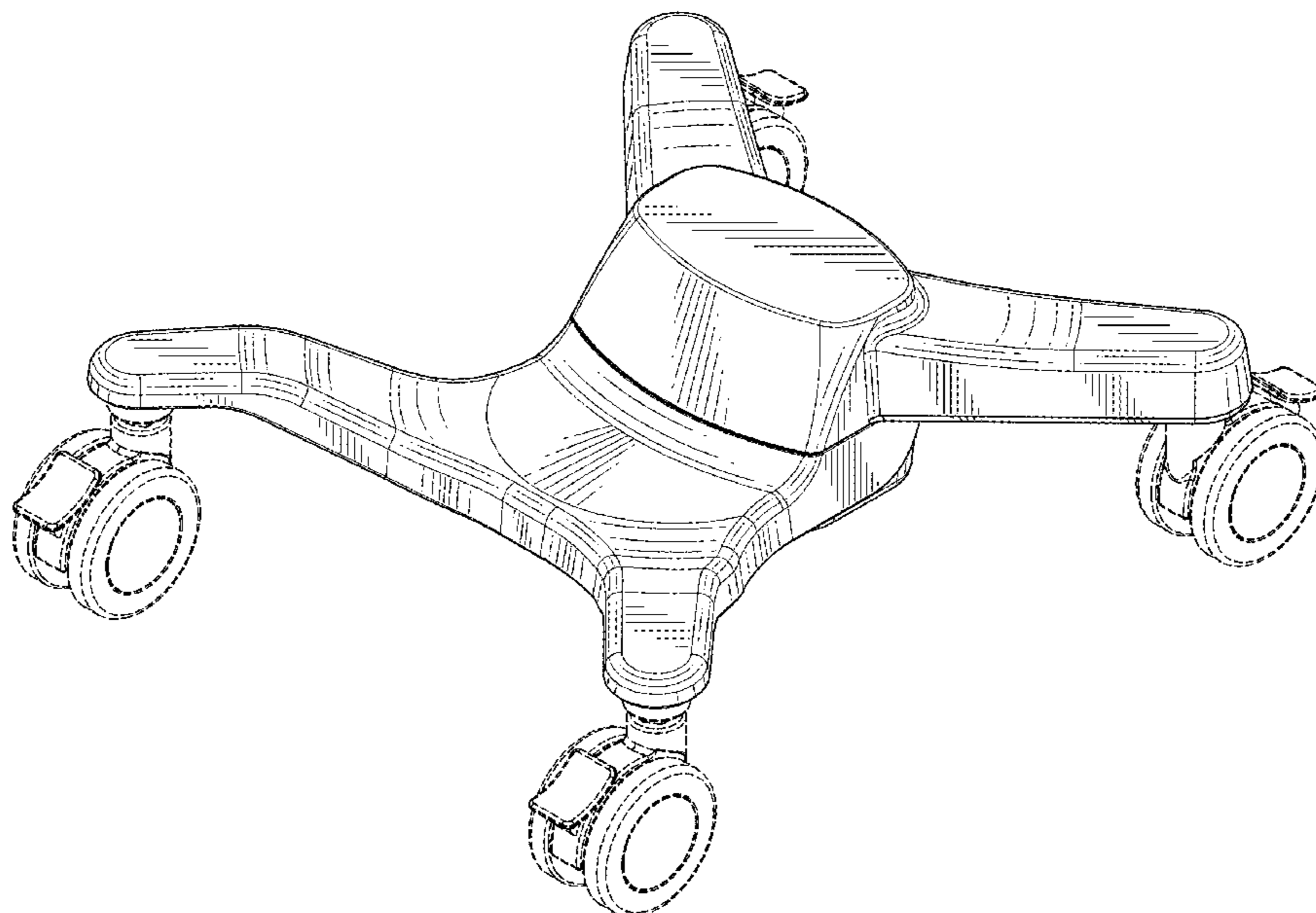
(57) **CLAIM**

The ornamental design for a cart base, as shown and described.

DESCRIPTION

FIG. 1 is a top perspective view of a cart base showing my new design;
FIG. 2 is a front elevational view thereof;
FIG. 3 is a rear elevational view thereof;
FIG. 4 is a left side elevational view thereof;
FIG. 5 is a right side elevational view thereof;
FIG. 6 is a top plan view thereof;
FIG. 7 is a bottom plan view thereof; and,
FIG. 8 is a bottom perspective view thereof.
The broken lines depict portions of a cart base in which the design is embodied that form no part of the claimed design.

1 Claim, 8 Drawing Sheets



(56)

References Cited

OTHER PUBLICATIONS

Modernsolid cart, announced 2022 [online], [site visited Sep. 22, 2022]. Avail from int, URL: <https://www.modernsolid.com/en/product/hc-150-medical-laptop-cart> (Year: 2022).*

* cited by examiner

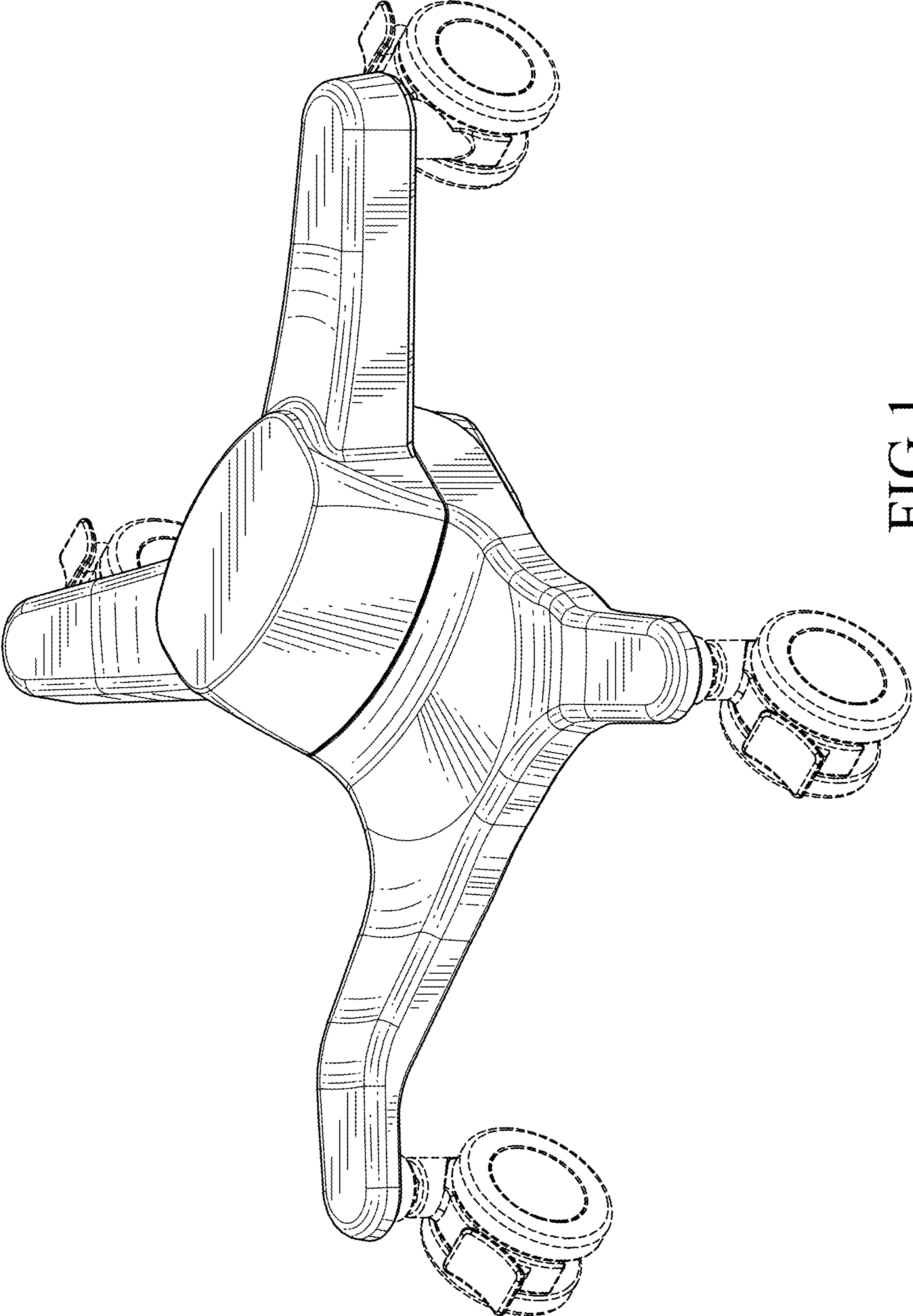


FIG.1

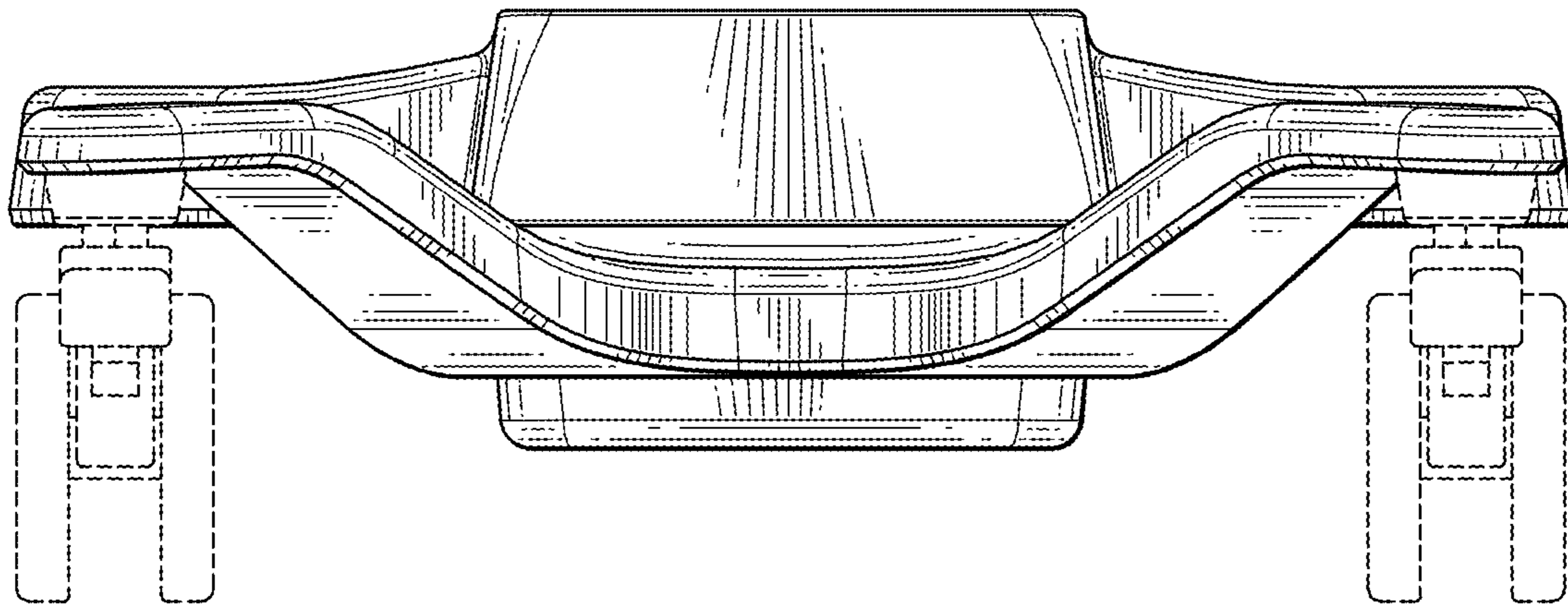


FIG.2

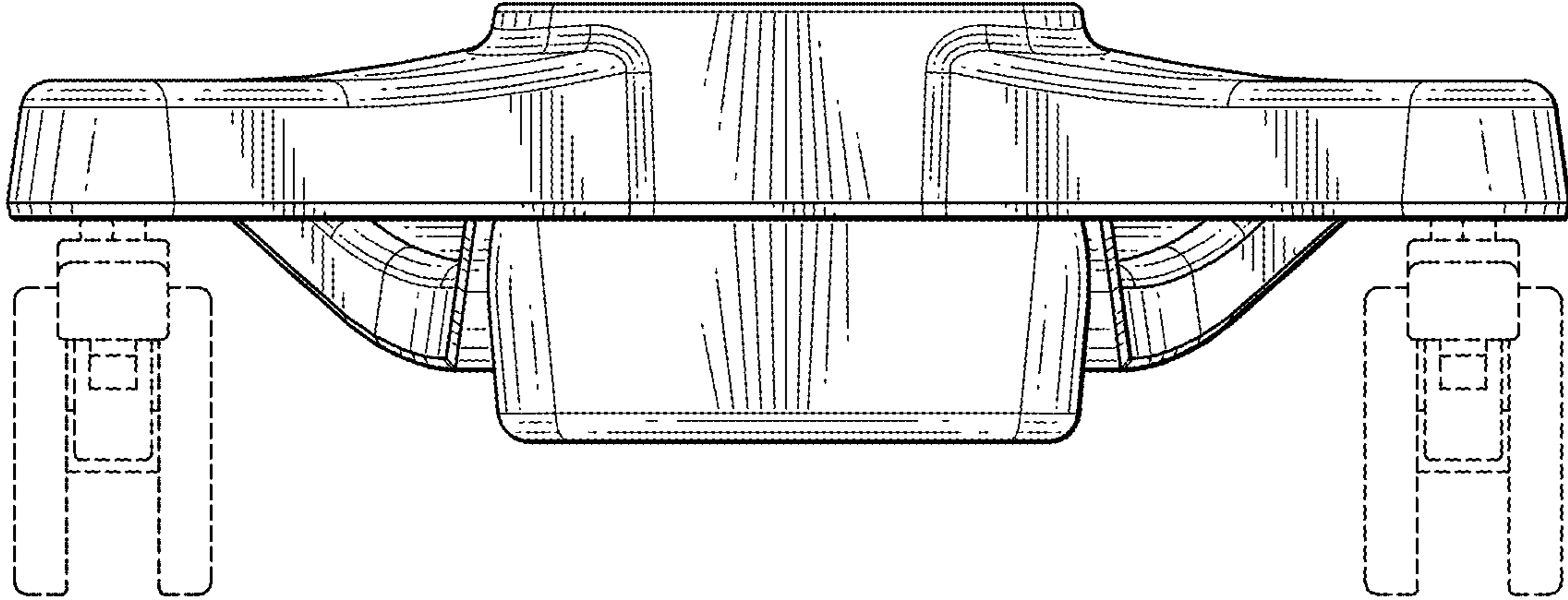


FIG.3

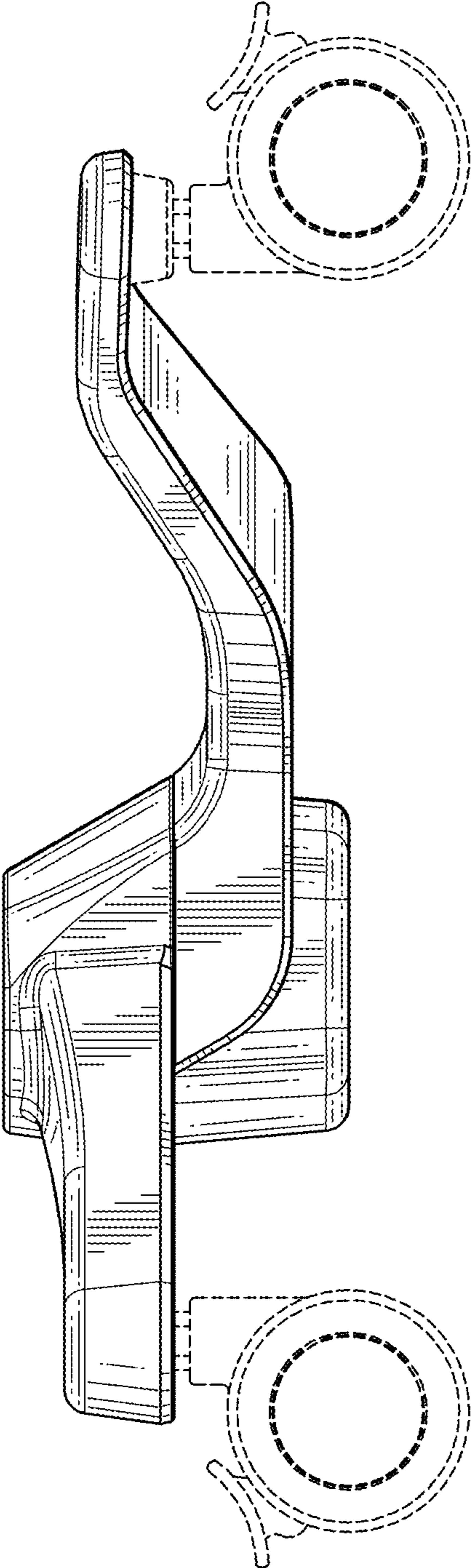


FIG.4

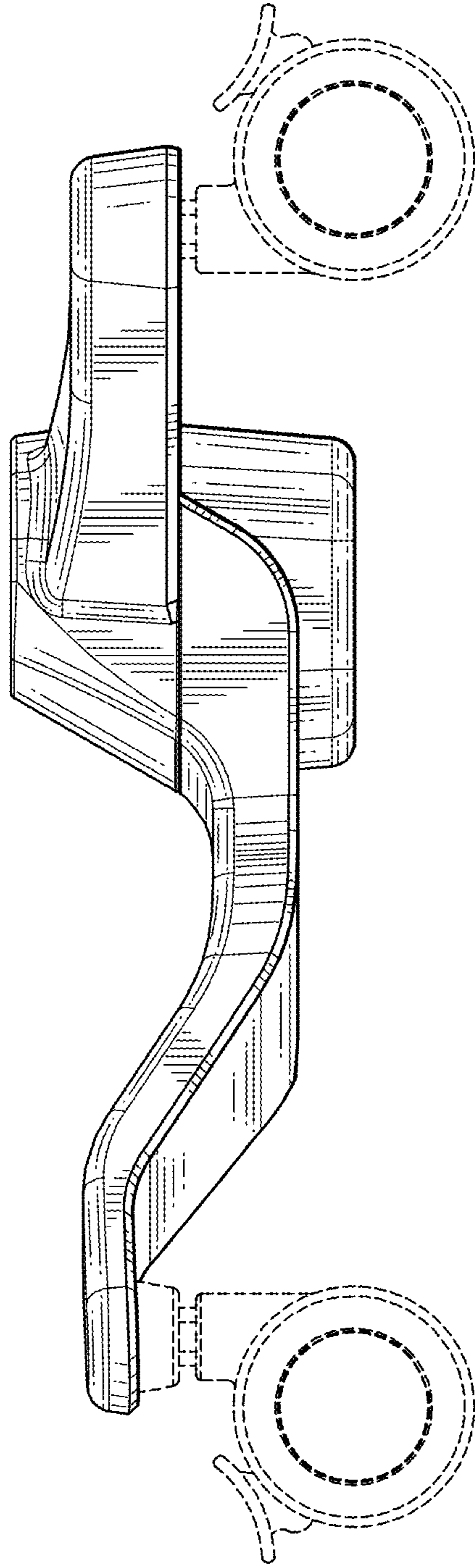


FIG.5

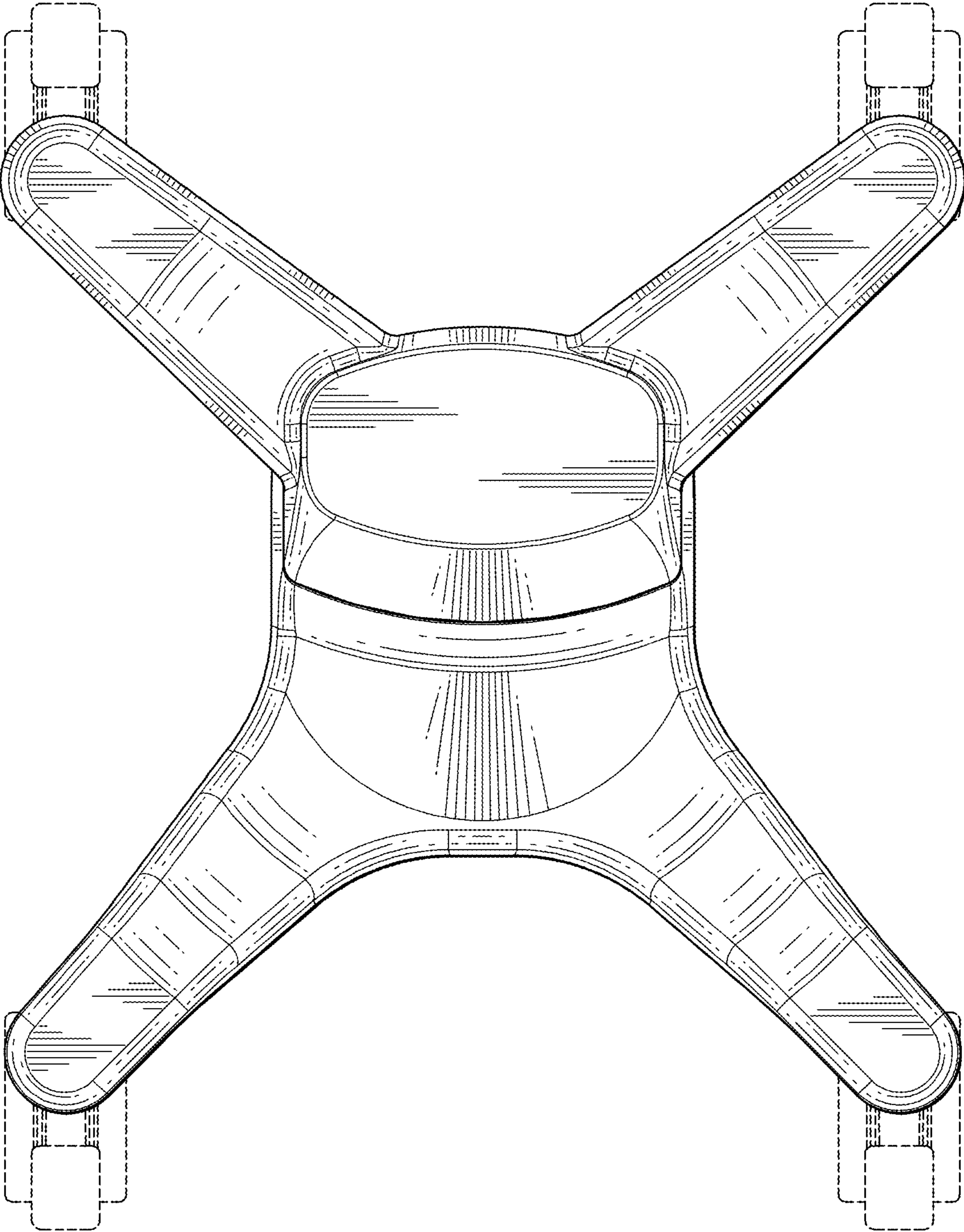


FIG.6

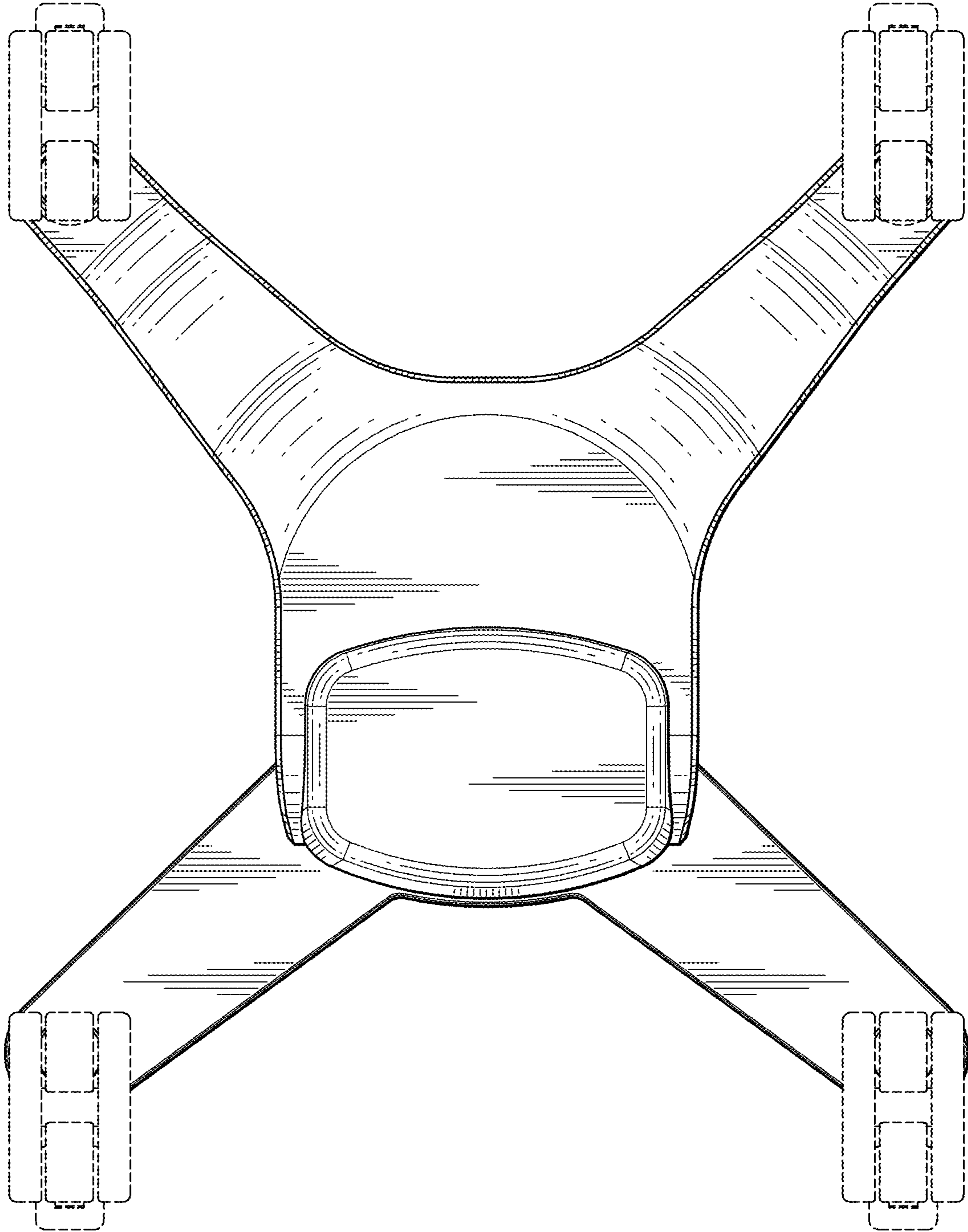


FIG. 7

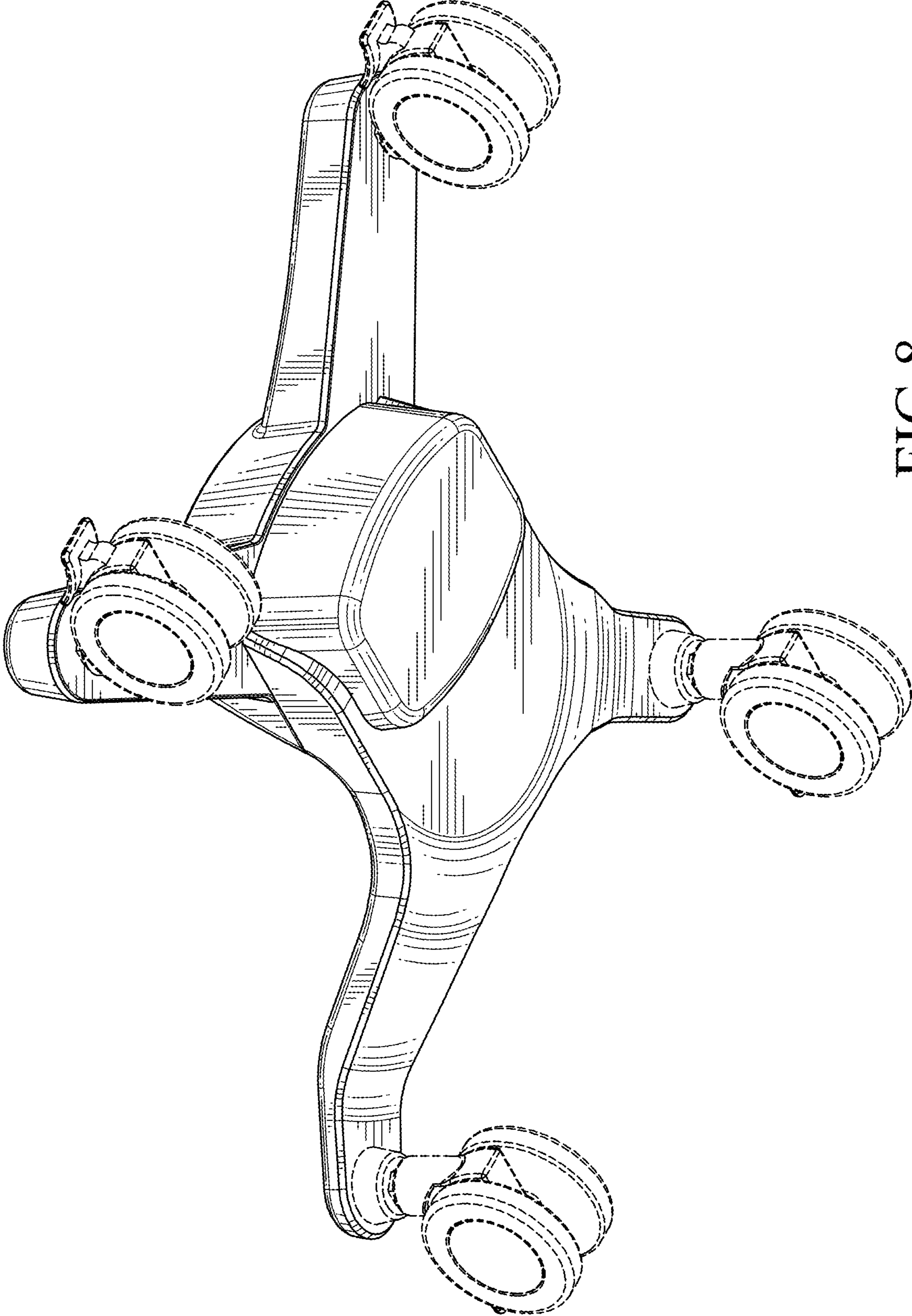


FIG. 8