

US00D976513S

(12) **United States Design Patent**
Hung

(10) **Patent No.:** **US D976,513 S**

(45) **Date of Patent:** **** Jan. 24, 2023**

(54) **CART BASE**

(71) Applicant: **MODERNSOLID INDUSTRIAL CO., LTD.**, Taichung (TW)

(72) Inventor: **Chin-Jui Hung**, Taichung (TW)

(73) Assignee: **MODERNSOLID INDUSTRIAL CO., LTD.**, Taichung (TW)

(**) Term: **15 Years**

(21) Appl. No.: **29/767,918**

(22) Filed: **Jan. 26, 2021**

(30) **Foreign Application Priority Data**

Jul. 29, 2020 (TW) 109304205

(51) **LOC (14) Cl.** **12-02**

(52) **U.S. Cl.**
USPC **D34/23**

(58) **Field of Classification Search**
USPC D34/23; D24/186; D6/406.3, 406.5;
D8/363, 380; D14/432, 451; D12/87
CPC F16M 11/28; F16M 11/42
See application file for complete search history.

(56) **References Cited**

U.S. PATENT DOCUMENTS

- 2,805,034 A * 9/1957 Wilson F16M 11/42
248/188.3
- D269,216 S * 5/1983 Greenheck D34/23
- D338,030 S * 8/1993 Chapman D16/242
- 5,452,909 A * 9/1995 Zinski B60B 29/002
248/349.1
- D459,477 S * 6/2002 Stocks A61G 12/001
D24/186
- D559,390 S * 1/2008 Diener D24/186
- D626,237 S * 10/2010 Nordgren D24/185
- D646,393 S * 10/2011 Juliana D24/186

- D648,032 S * 11/2011 Schon D24/186
- D722,696 S * 2/2015 Blomquist D24/164
- D751,209 S * 3/2016 DiMino D24/185
- D816,232 S * 4/2018 Asad D24/186
- D837,221 S * 1/2019 Janzen F16M 11/42
D14/447
- D870,895 S * 12/2019 Asad G06F 1/1601
D24/186

(Continued)

FOREIGN PATENT DOCUMENTS

- CN 202230359324.X * 6/2022
- TW 109304205 * 7/2020

OTHER PUBLICATIONS

WayBack Machine, Medical Cart Company, Budgie Range, published Dec. 8, 2021 [retrieved Oct. 26, 2022]. Retrieved from the internet<<https://medicalcartcompany.hu/budgie-range>> (Year: 2021).*

Primary Examiner — Joseph Kukella
Assistant Examiner — Lavon M. Amerson

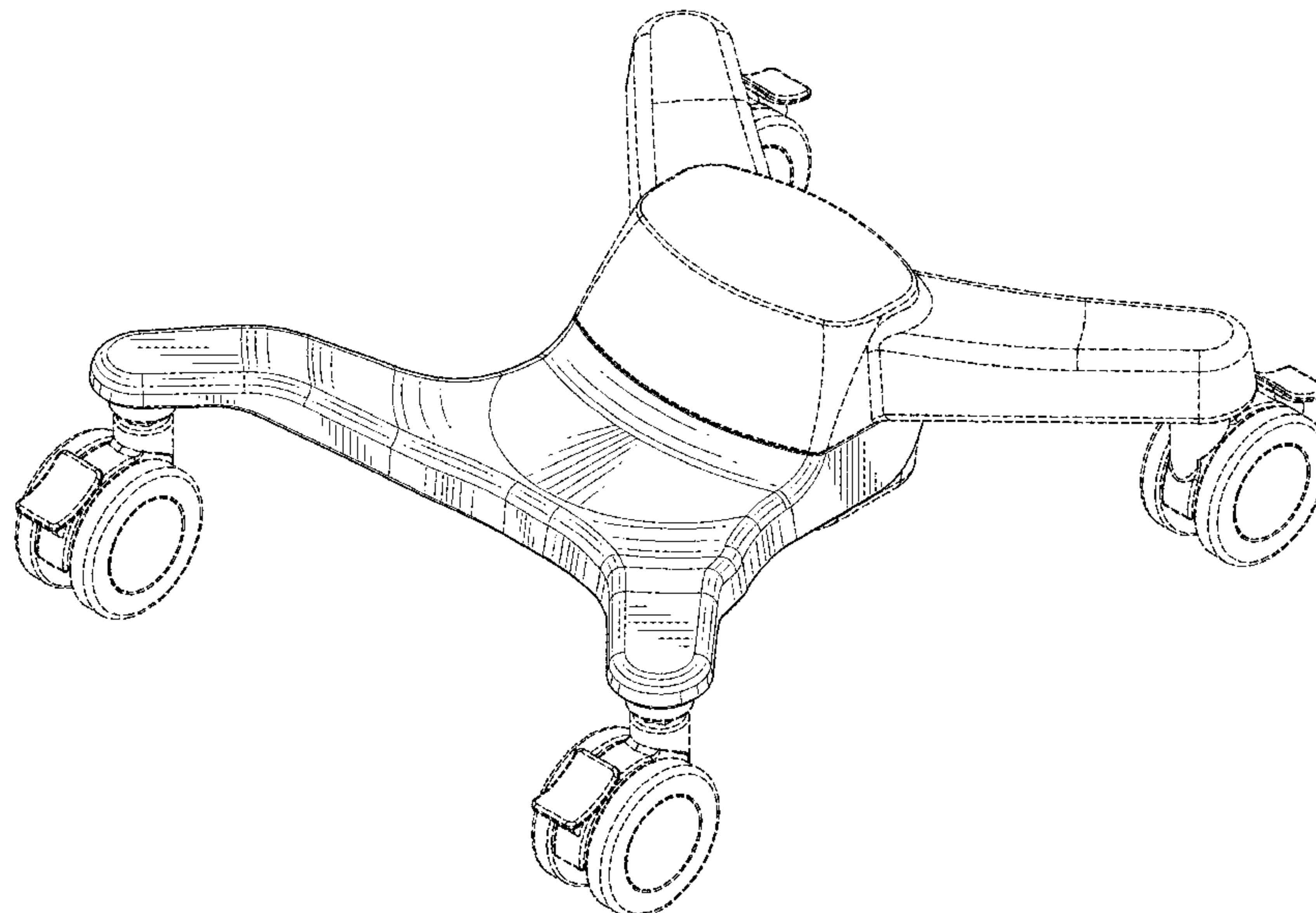
(57) **CLAIM**

The ornamental design for a cart base, as shown and described.

DESCRIPTION

FIG. 1 is a top perspective view of a cart base showing my new design;
FIG. 2 is a front elevational view thereof;
FIG. 3 is a rear elevational view thereof;
FIG. 4 is a left side elevational view thereof;
FIG. 5 is a right side elevational view thereof;
FIG. 6 is a top plan view thereof;
FIG. 7 is a bottom plan view thereof; and,
FIG. 8 is a bottom perspective view thereof.
The broken lines depict portions of a cart base in which the design is embodied that form no part of the claimed design.

1 Claim, 8 Drawing Sheets



(56)

References Cited

U.S. PATENT DOCUMENTS

D888,251 S * 6/2020 Schlereth B60B 29/002
D24/185
D898,922 S * 10/2020 Nally A61B 6/462
D24/185
D965,793 S * 10/2022 Gupta F16M 11/42
D24/185
2011/0031357 A1* 2/2011 Gawelek A61B 6/462
248/161
2011/0140381 A1* 6/2011 Rossini B62B 3/10
280/43.23
2012/0248719 A1* 10/2012 Rossini A61G 12/001
280/29
2012/0293922 A1* 11/2012 Sudo G06F 1/1601
361/679.01
2015/0196192 A1* 7/2015 Kan F16M 11/42
211/85.13

* cited by examiner

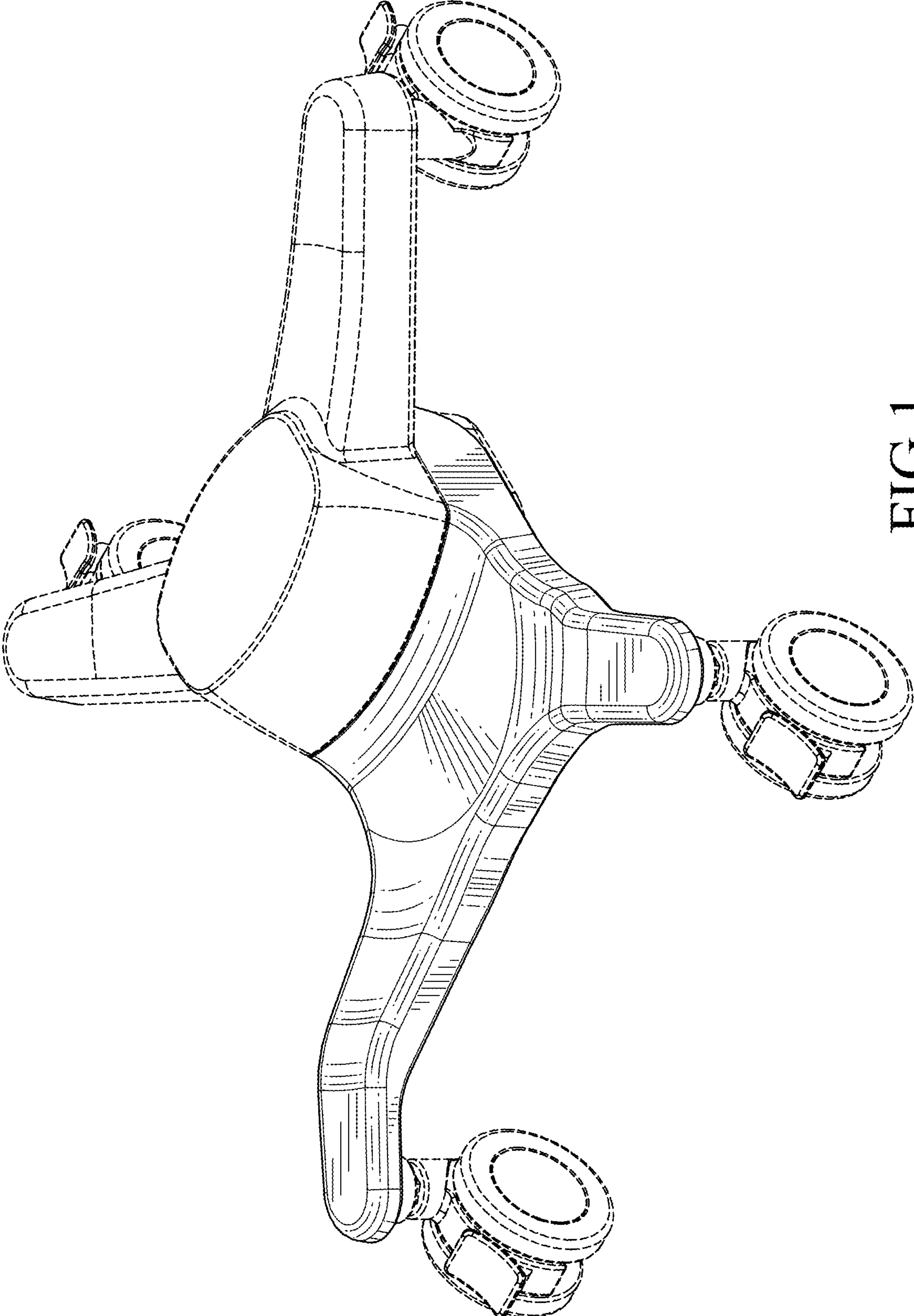


FIG.1

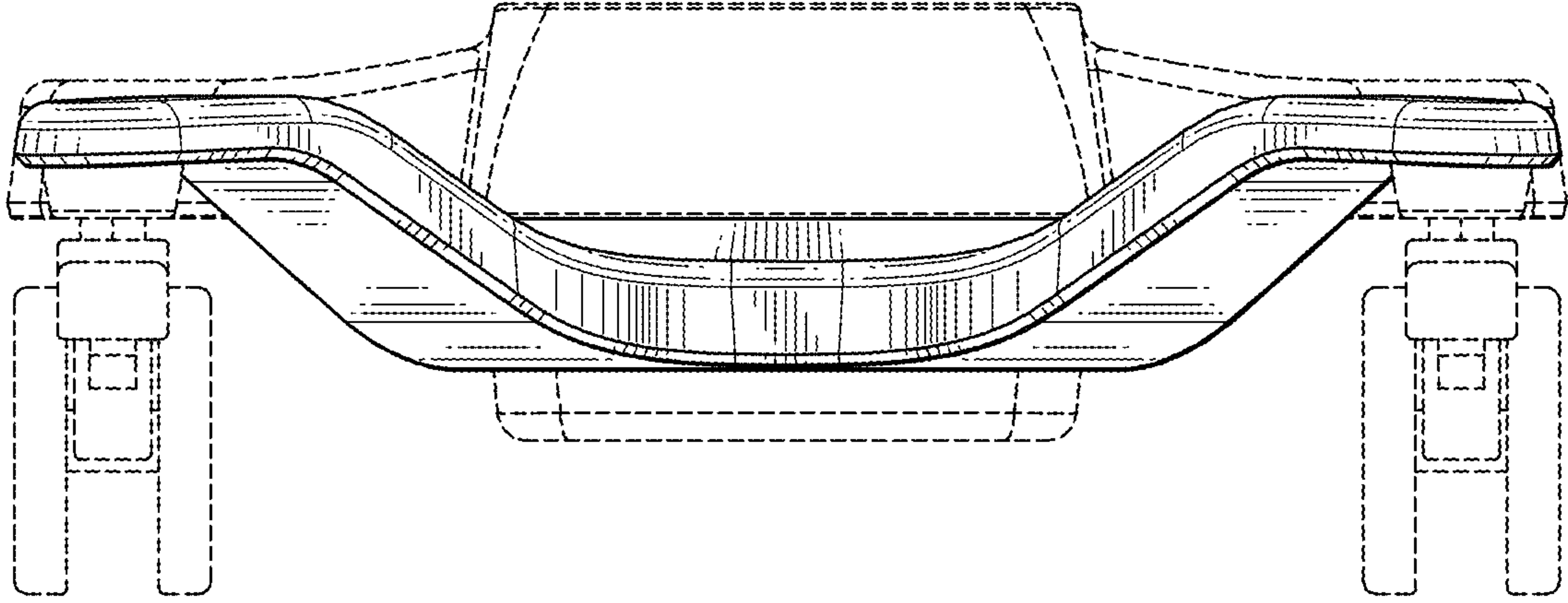


FIG.2

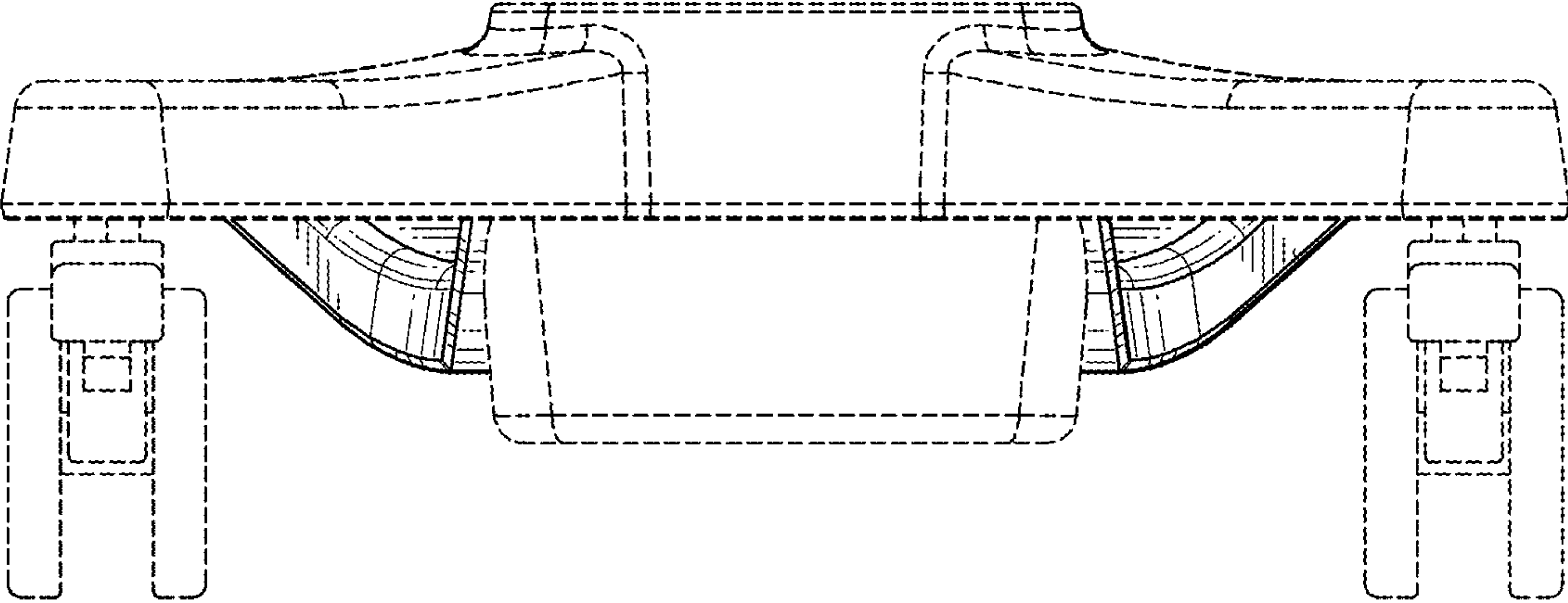


FIG.3

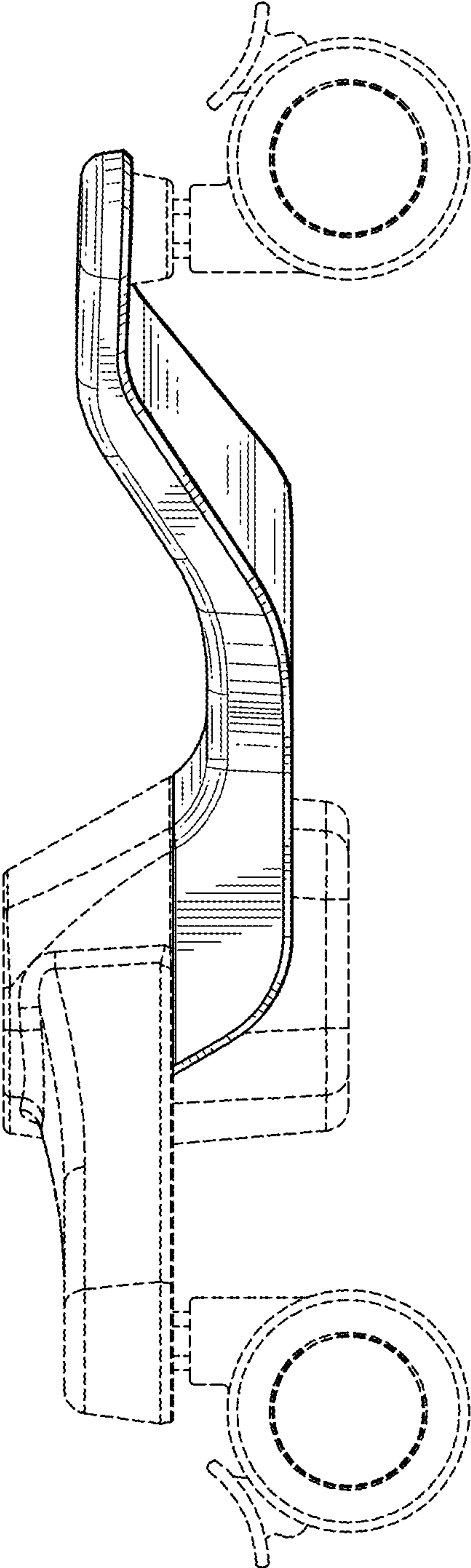


FIG.4

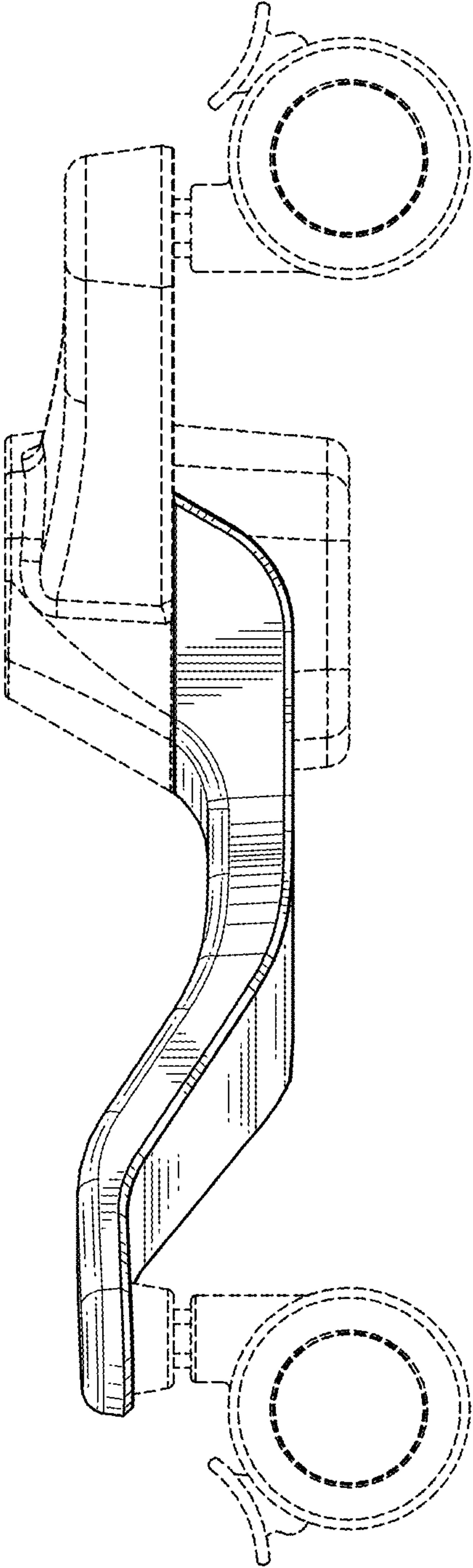


FIG.5

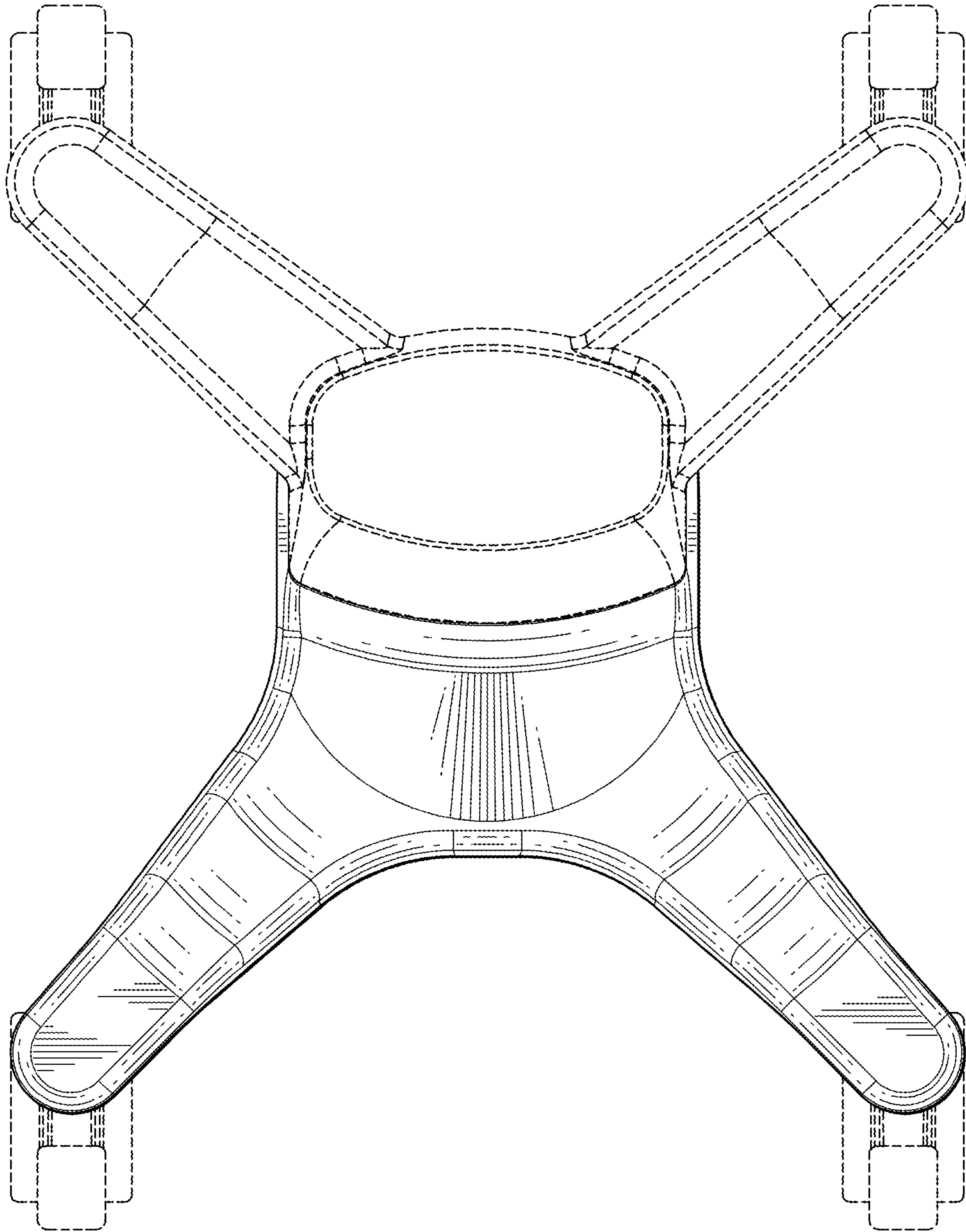


FIG.6

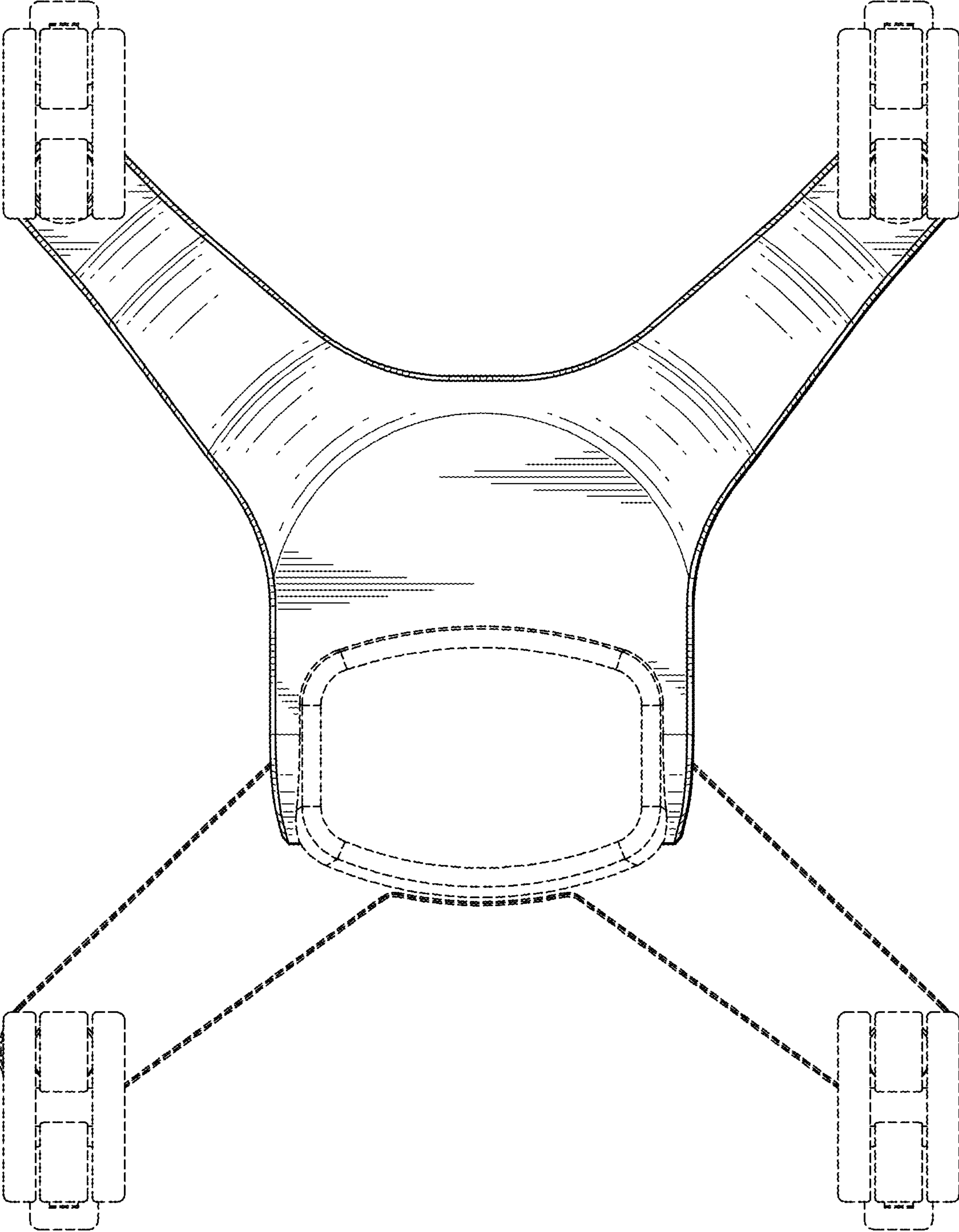


FIG. 7

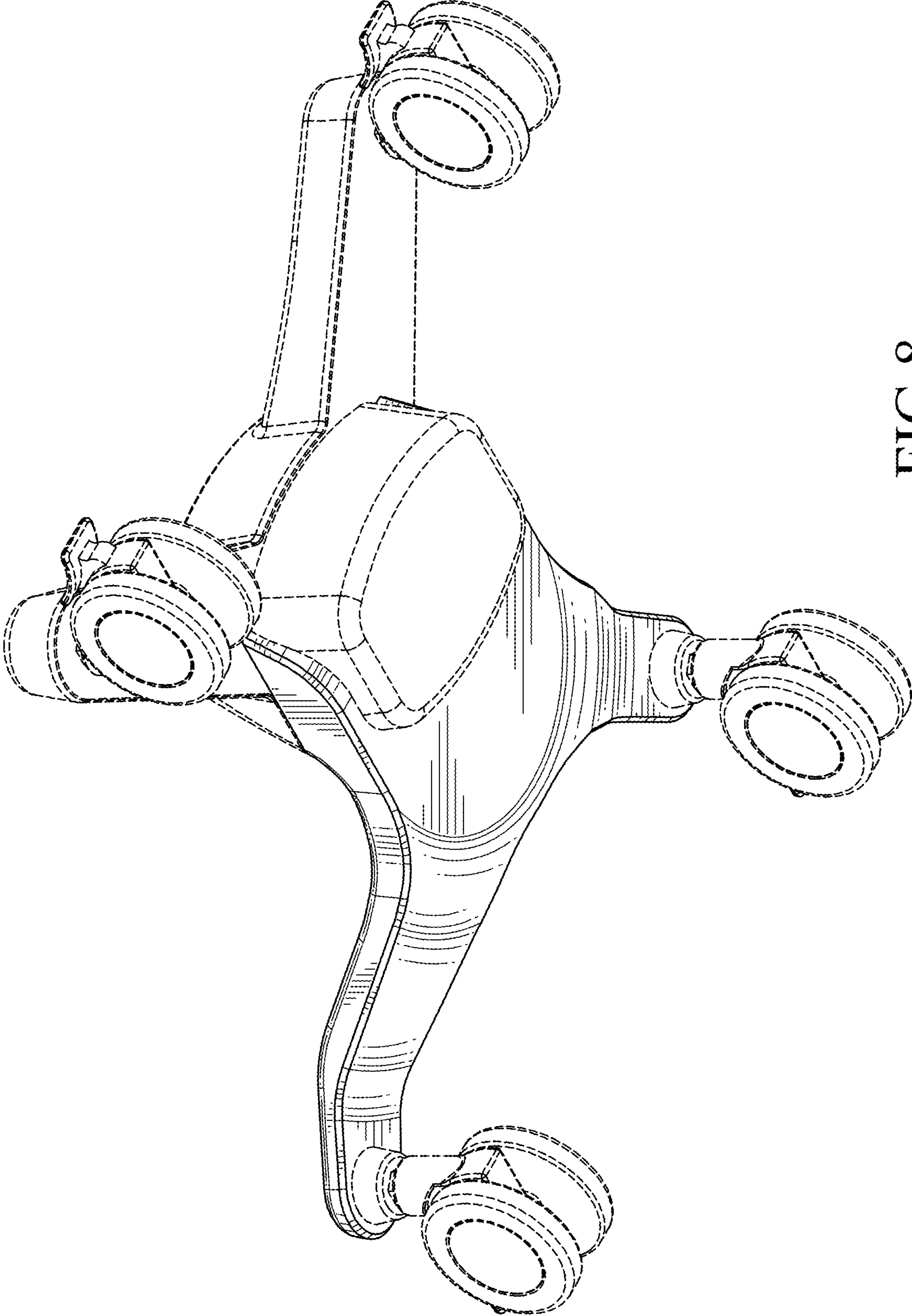


FIG. 8