



US00D976512S

(12) **United States Design Patent** (10) **Patent No.:** **US D976,512 S**
Hernandez (45) **Date of Patent:** **** Jan. 24, 2023**

- (54) **YARD DEBRIS BAGGER**
- (71) Applicant: **RHL Holdings, LLC**, North Palm Beach, FL (US)
- (72) Inventor: **Rigoberto Hernandez**, North Palm Beach, FL (US)
- (73) Assignee: **RHL HOLDINGS, LLC**, North Palm Beach, FL (US)

(**) Term: **15 Years**

(21) Appl. No.: **29/730,246**

(22) Filed: **Apr. 2, 2020**

(51) **LOC (14) Cl.** **09-09**

(52) **U.S. Cl.**
USPC **D34/6**

(58) **Field of Classification Search**
USPC D34/1-35; D9/737, 739, 740, 743, 744, D9/745
CPC .. B65F 1/1415; B65F 1/16; B65F 1/00; B65B 67/12
See application file for complete search history.

(56) **References Cited**

U.S. PATENT DOCUMENTS

3,638,888	A *	2/1972	Ross	B65B 67/1205
					248/97
4,892,223	A *	1/1990	DeMent	B65D 5/60
					220/495.11
6,450,461	B1 *	9/2002	Lohmann	B65B 67/1238
					248/97
D581,228	S *	11/2008	Meehan	D8/10
D709,661	S *	7/2014	Engstrom	D34/1
D711,610	S *	8/2014	McGivney	D34/1

(Continued)

OTHER PUBLICATIONS

Hopper Topper, announced 2021 [online], [site visited Nov. 23, 2021]. Available from internet, URL: <https://www.fishpond.com/>

Health/HopperTopper-Lawn-and-Leaf-Bag-Funnel-12-Units/9999792831425?utm_source=googleps&utm_medium=ps&utm_campaign=US (Year: 2021).*

Primary Examiner — Cynthia Ramirez
Assistant Examiner — Tamara L Hahn
(74) *Attorney, Agent, or Firm* — McHale & Slavin, P.A.

(57) **CLAIM**

The ornamental design for a yard debris bagger, as shown and described.

DESCRIPTION

FIG. 1 is a front top right perspective view showing the first embodiment of the yard debris bagger of the present invention;

FIG. 2 is a rear bottom left perspective view thereof;

FIG. 3 is a front view thereof;

FIG. 4 is a rear view thereof;

FIG. 5 is a bottom view thereof;

FIG. 6 is a top view thereof;

FIG. 7 is a left side view thereof;

FIG. 8 is a right side view thereof;

FIG. 9 is a top right front perspective view thereof, illustrating the yard debris bagger in cooperation with a yard waste bag;

FIG. 10 is a right side view illustrating the yard debris bagger in cooperation with a yard waste bag;

FIG. 11 is a top front right perspective view showing a second embodiment for a yard debris bagger of the present invention;

FIG. 12 is a rear right perspective view thereof;

FIG. 13 is a rear view thereof;

FIG. 14 is a front view thereof;

FIG. 15 is a bottom view thereof;

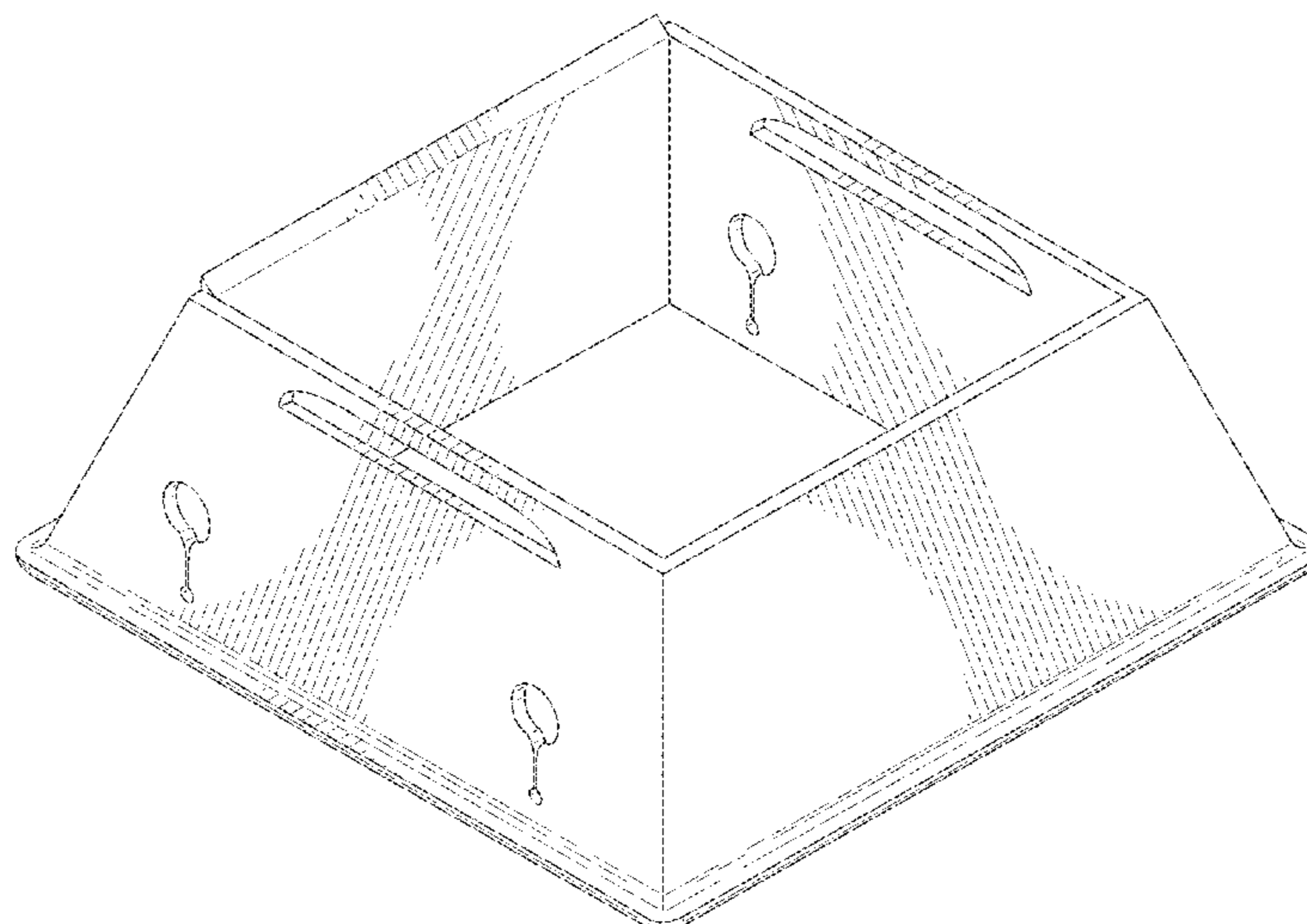
FIG. 16 is a top view thereof;

FIG. 17 is a right side view thereof; and,

FIG. 18 is a left side view thereof.

The broken line showing of the bag in FIGS. 9 and 10 depicts environment and forms no part of the claimed design.

1 Claim, 18 Drawing Sheets



(56)

References Cited

U.S. PATENT DOCUMENTS

D740,656 S * 10/2015 Stewart D9/432
D799,830 S * 10/2017 Greenwood D3/312
D804,134 S * 11/2017 Boyea D34/10
9,981,764 B2 * 5/2018 Higley B65B 67/1238
D853,234 S * 7/2019 Aziz D9/432
D891,244 S * 7/2020 Tempel D9/425
D908,300 S * 1/2021 Shek D34/1
D953,877 S * 6/2022 Neihart D9/703
2007/0089803 A1 * 4/2007 Wallek B65F 1/06
141/337
2019/0062048 A1 * 2/2019 Ortiz Torres B65B 67/1238

* cited by examiner

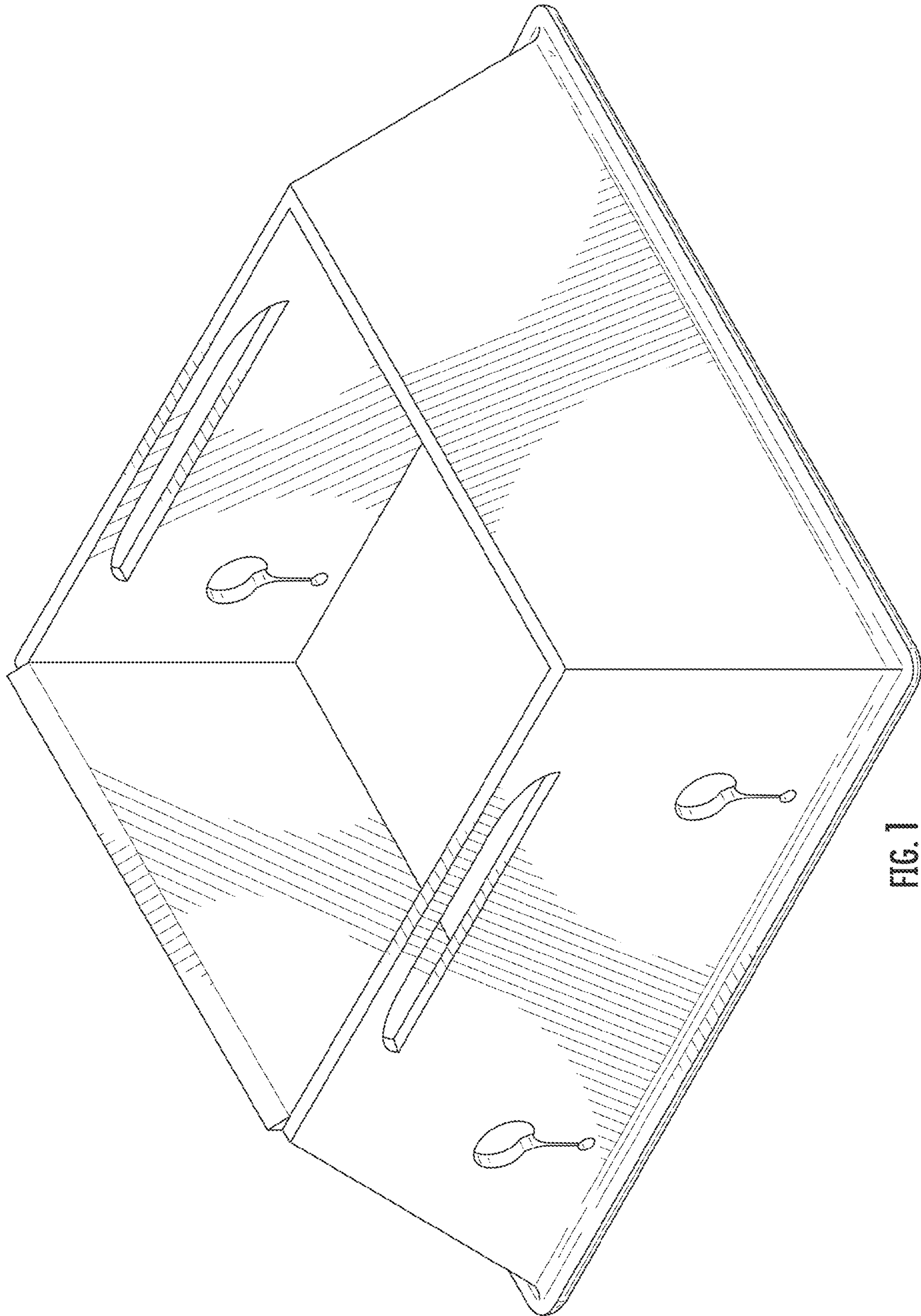
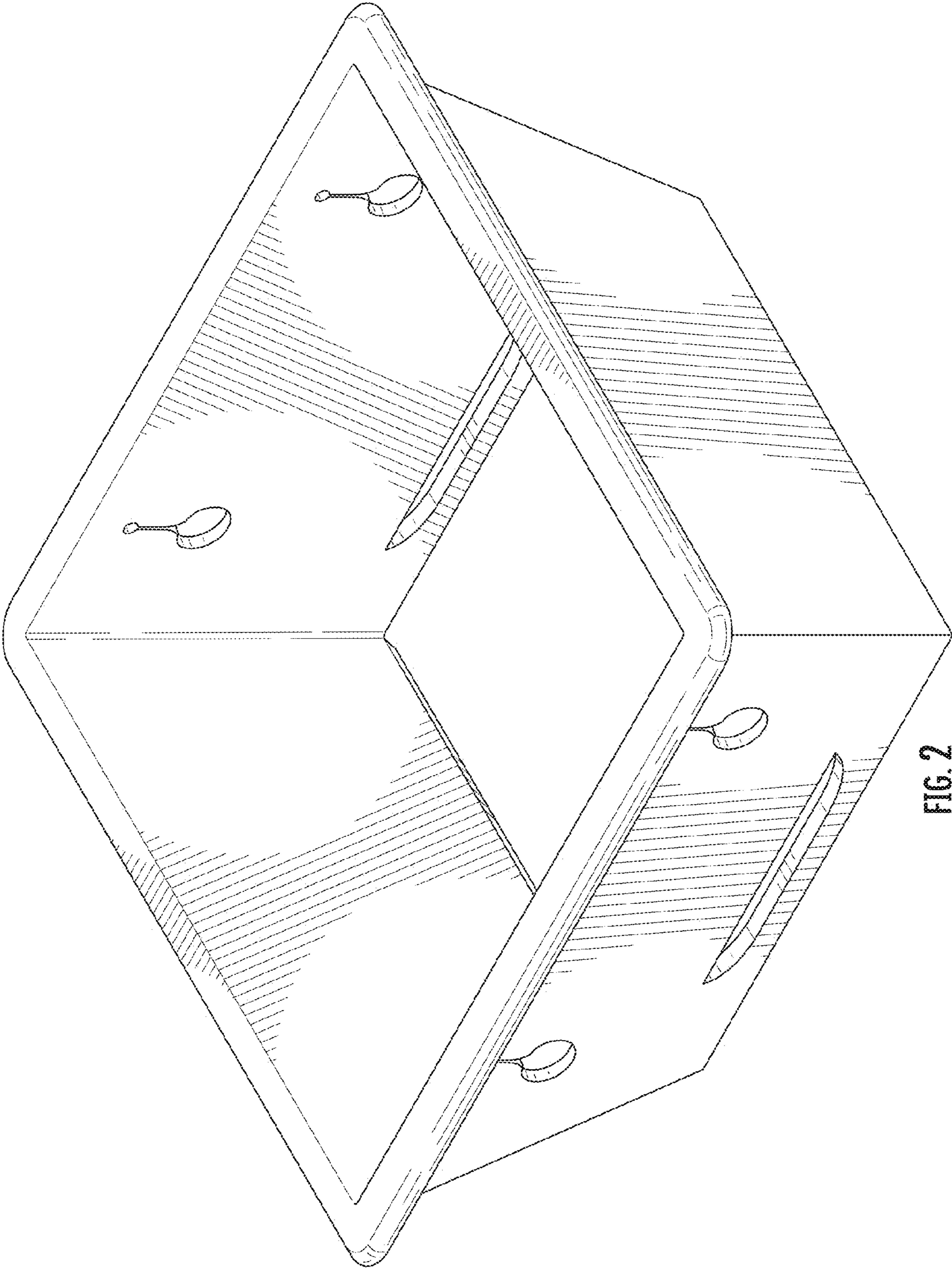


FIG. 1



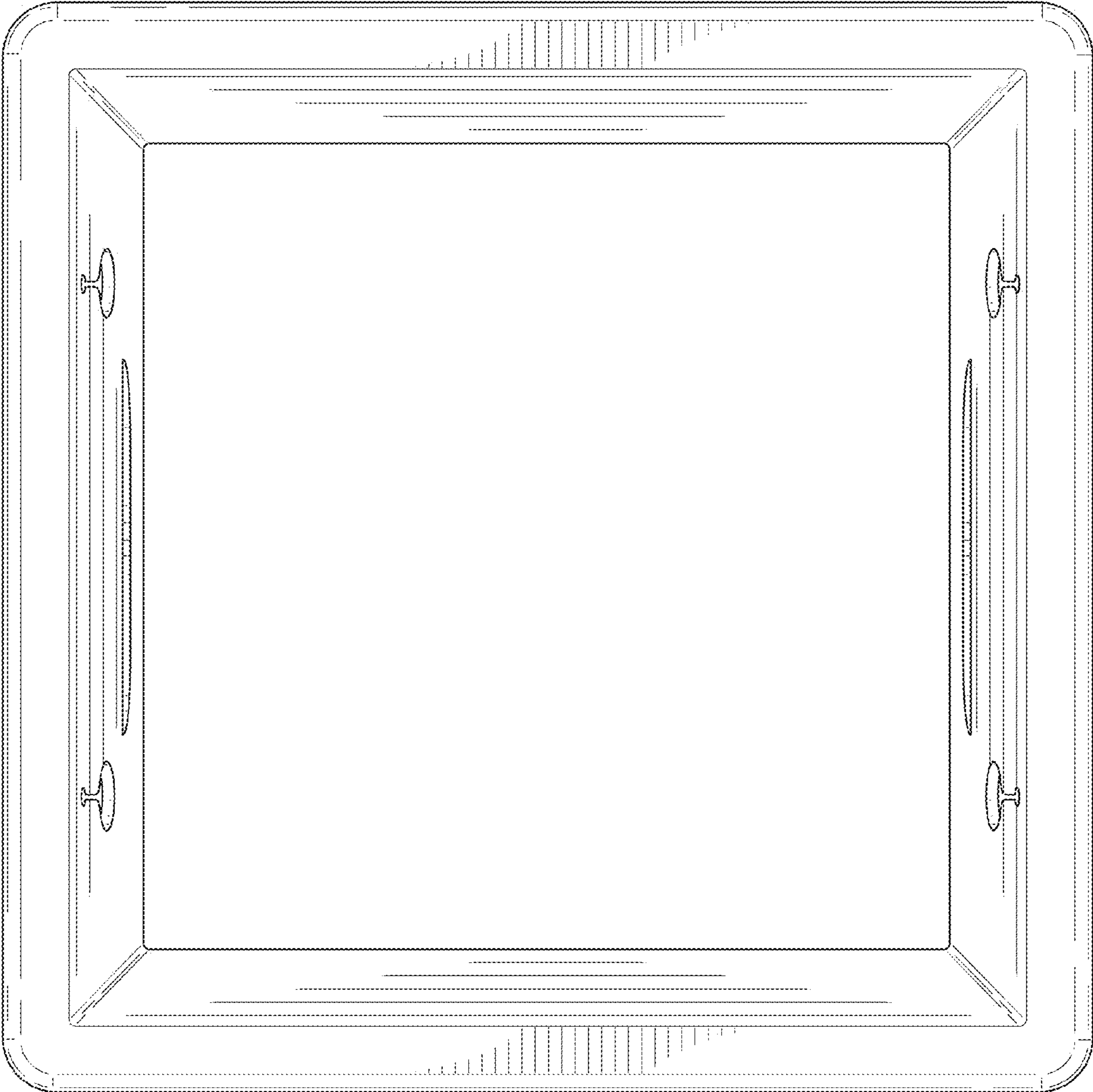


FIG. 3

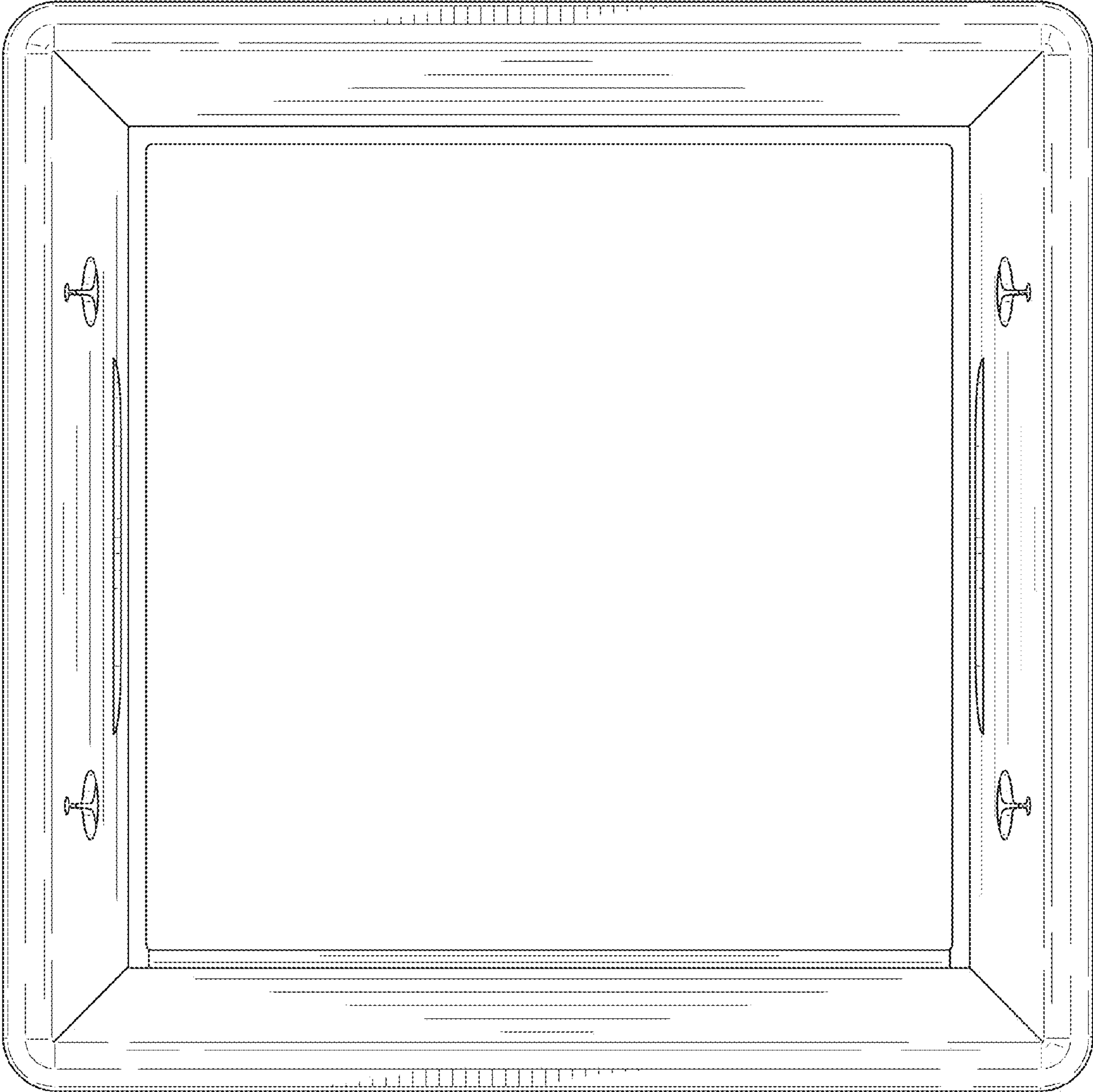


FIG. 4

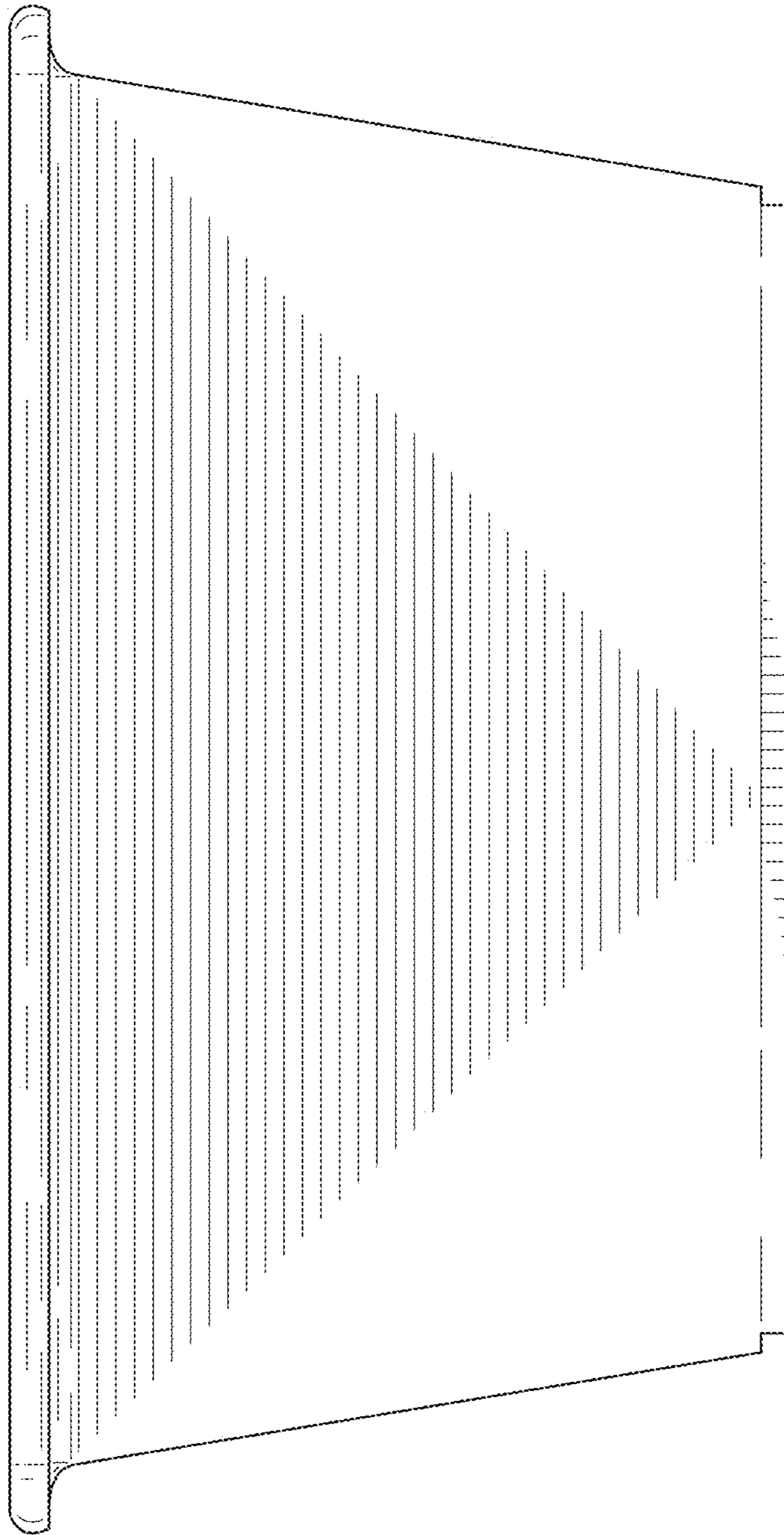


FIG. 5

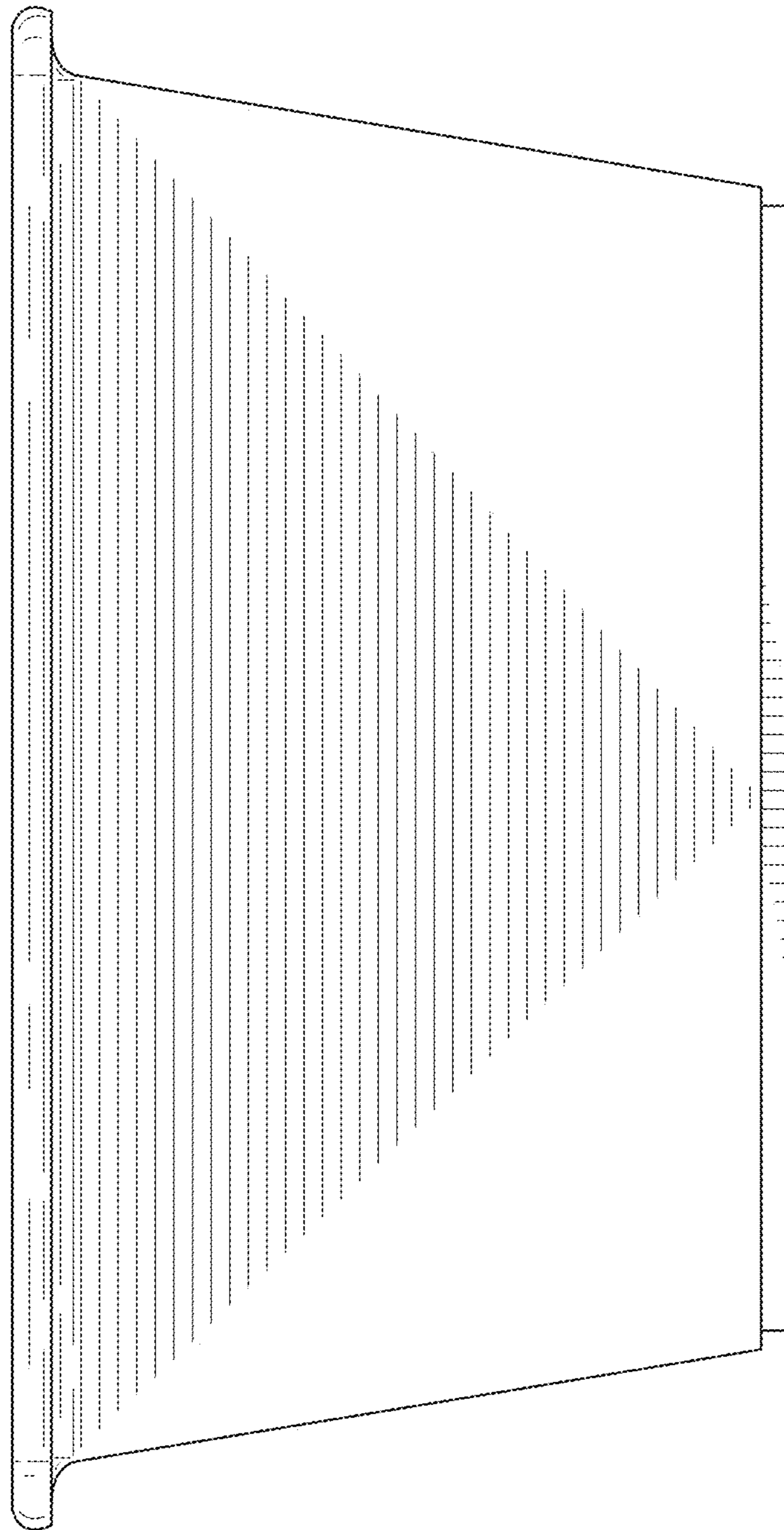


FIG. 6

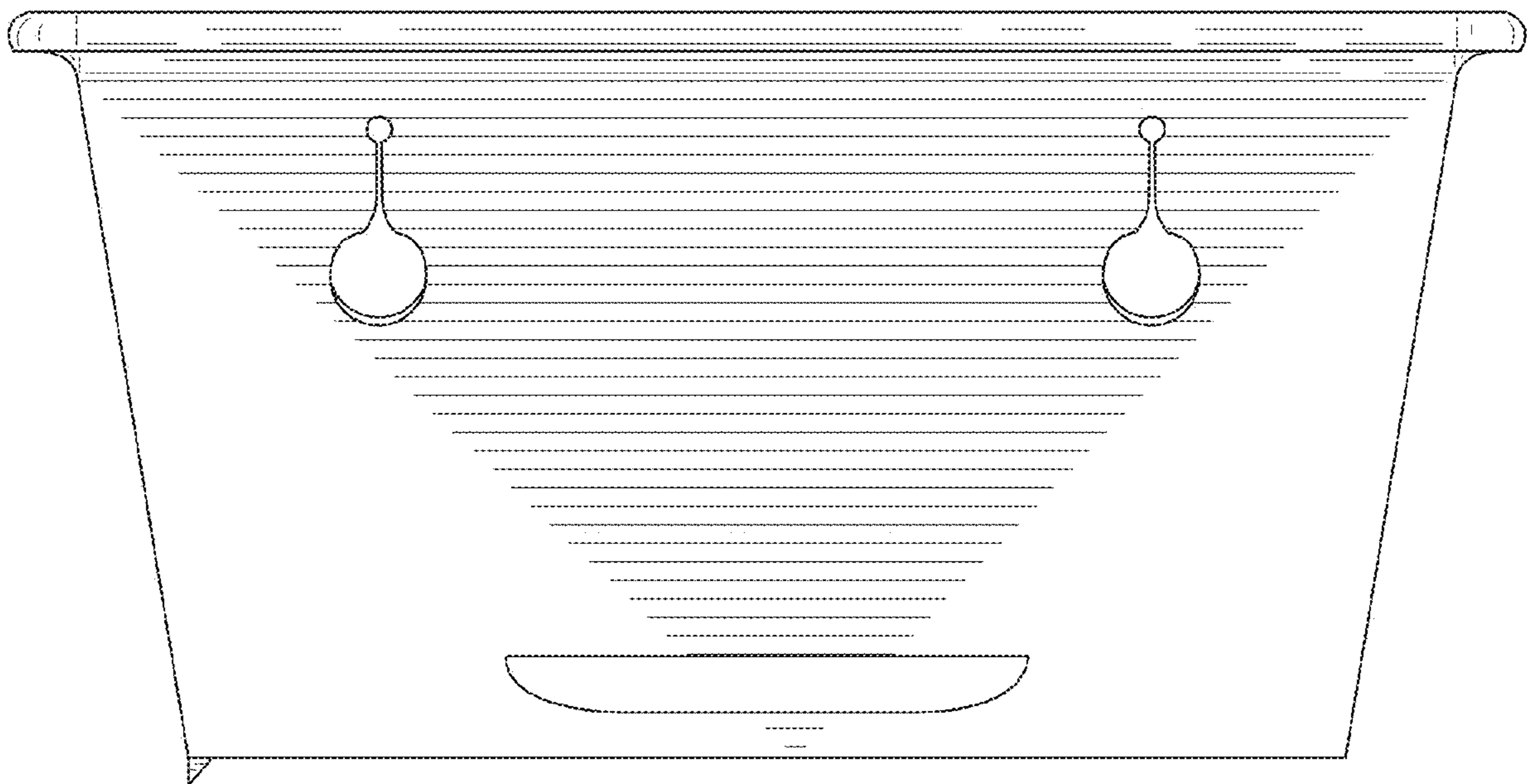


FIG. 7

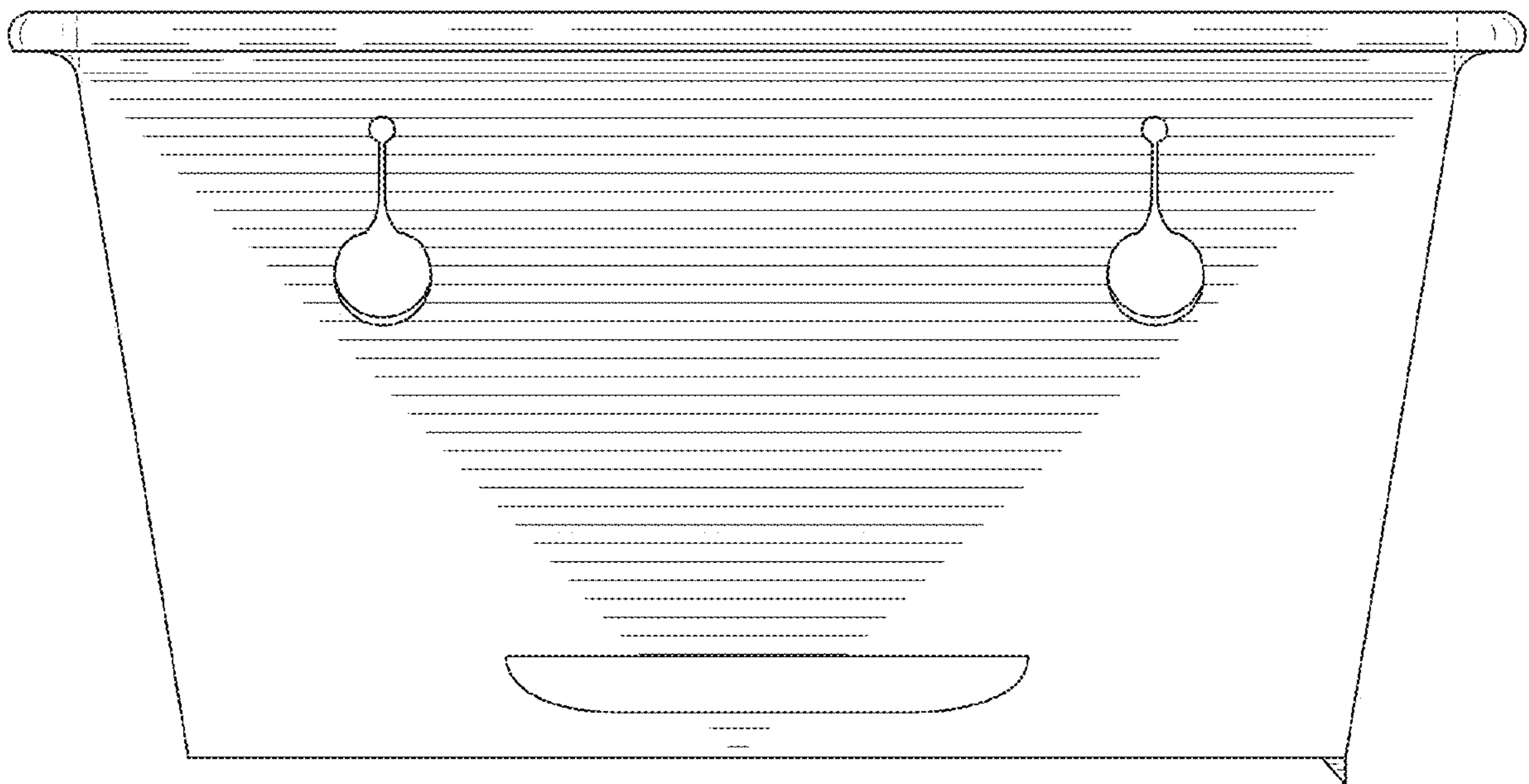


FIG. 8

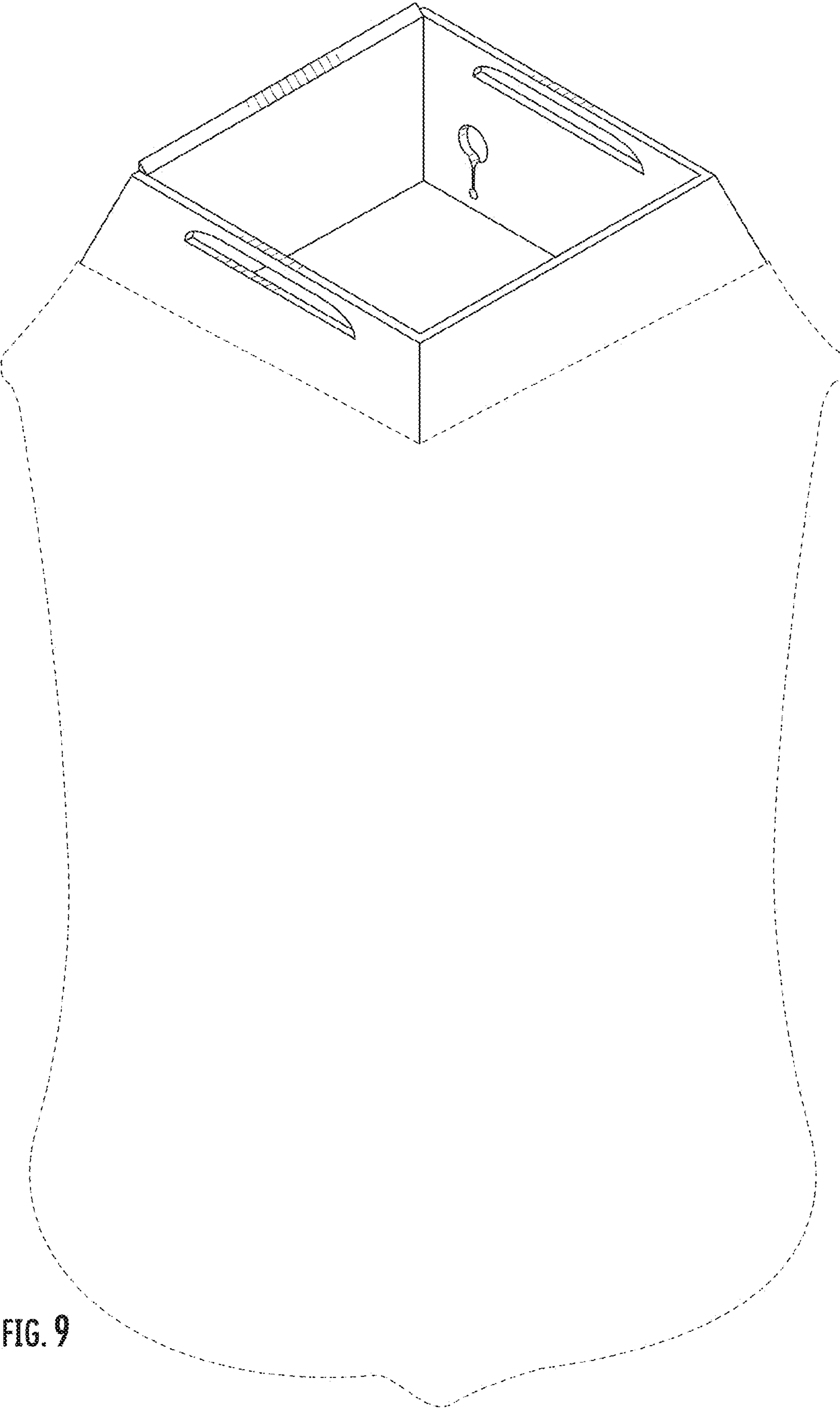


FIG. 9

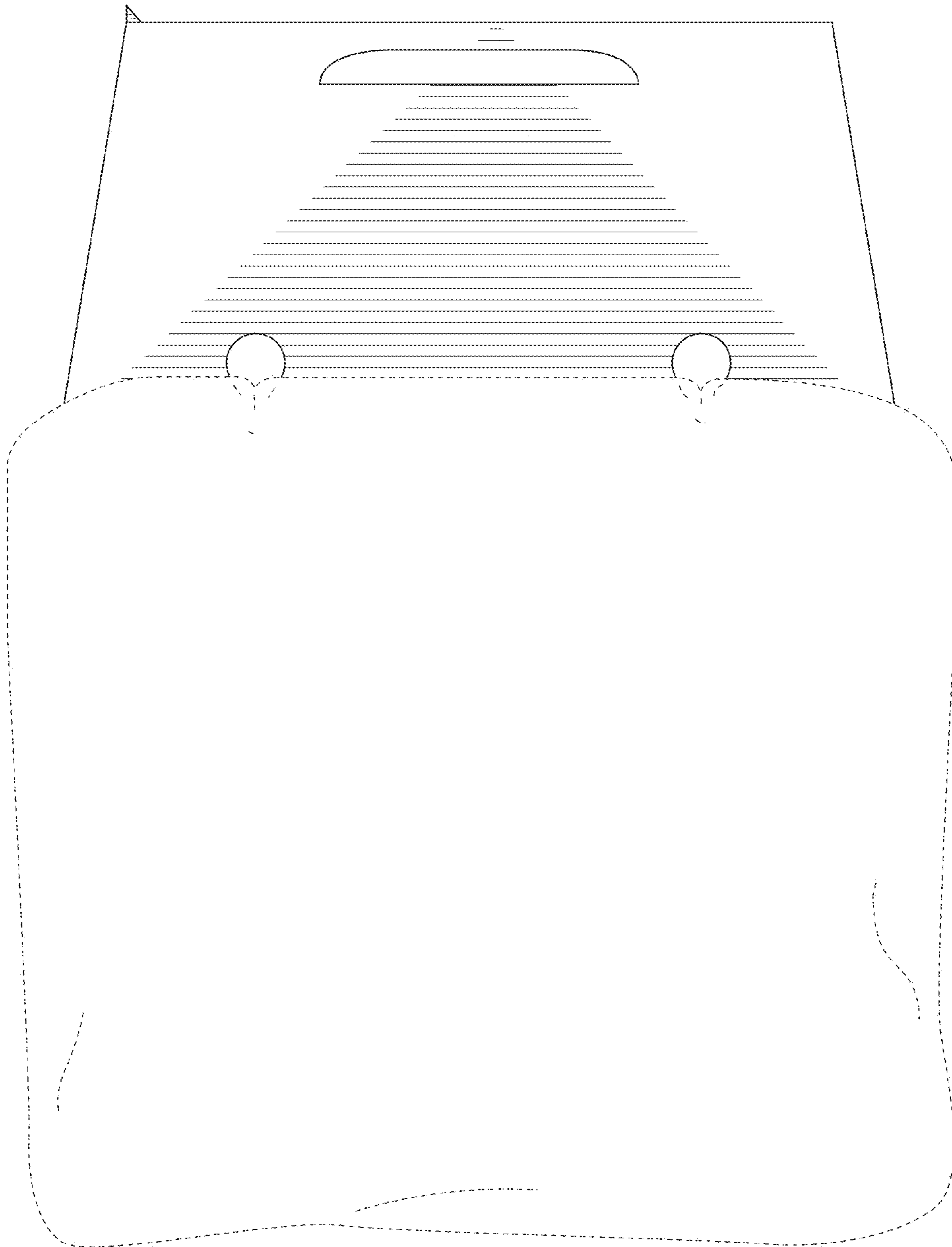


FIG. 10

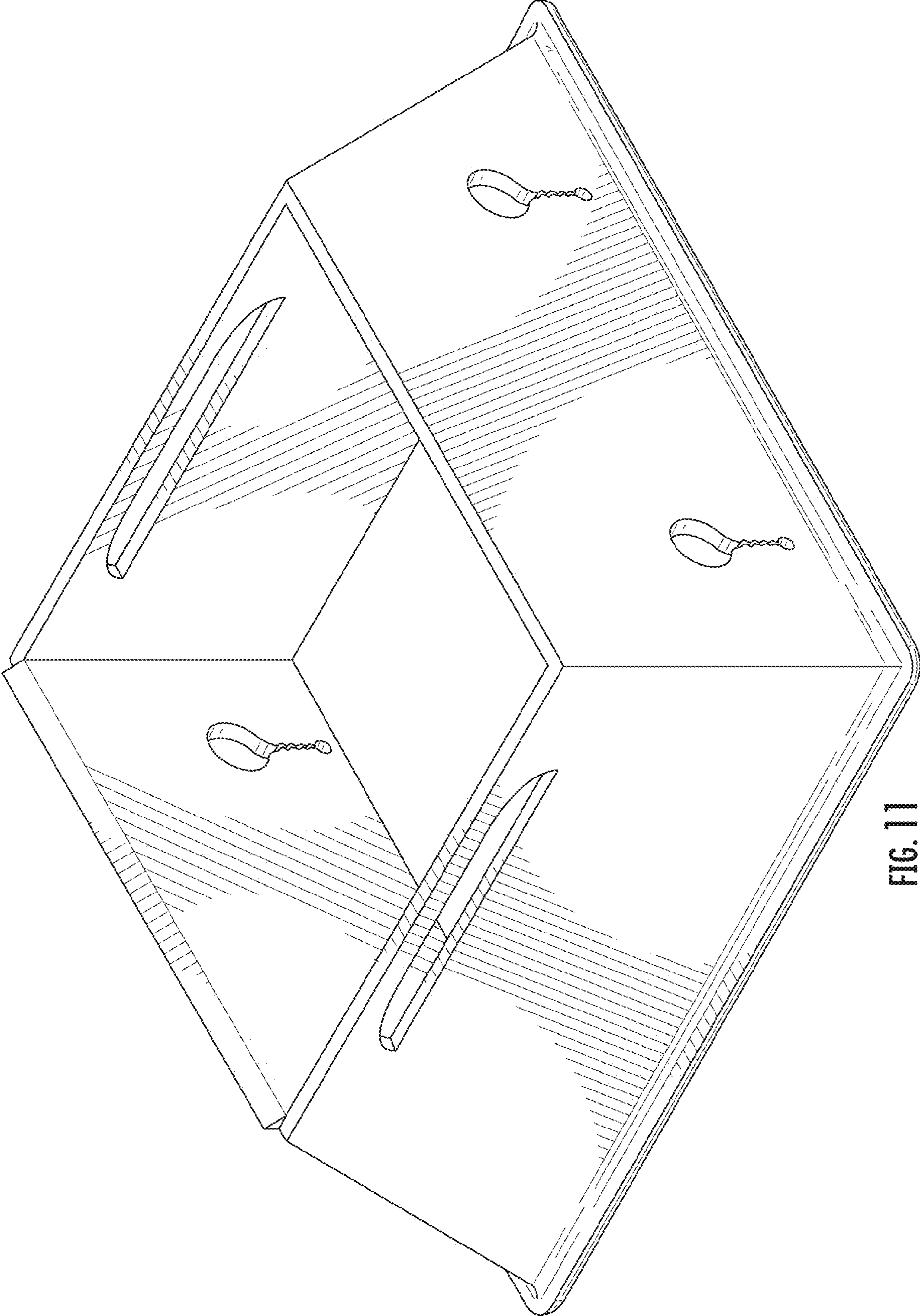


FIG. 11

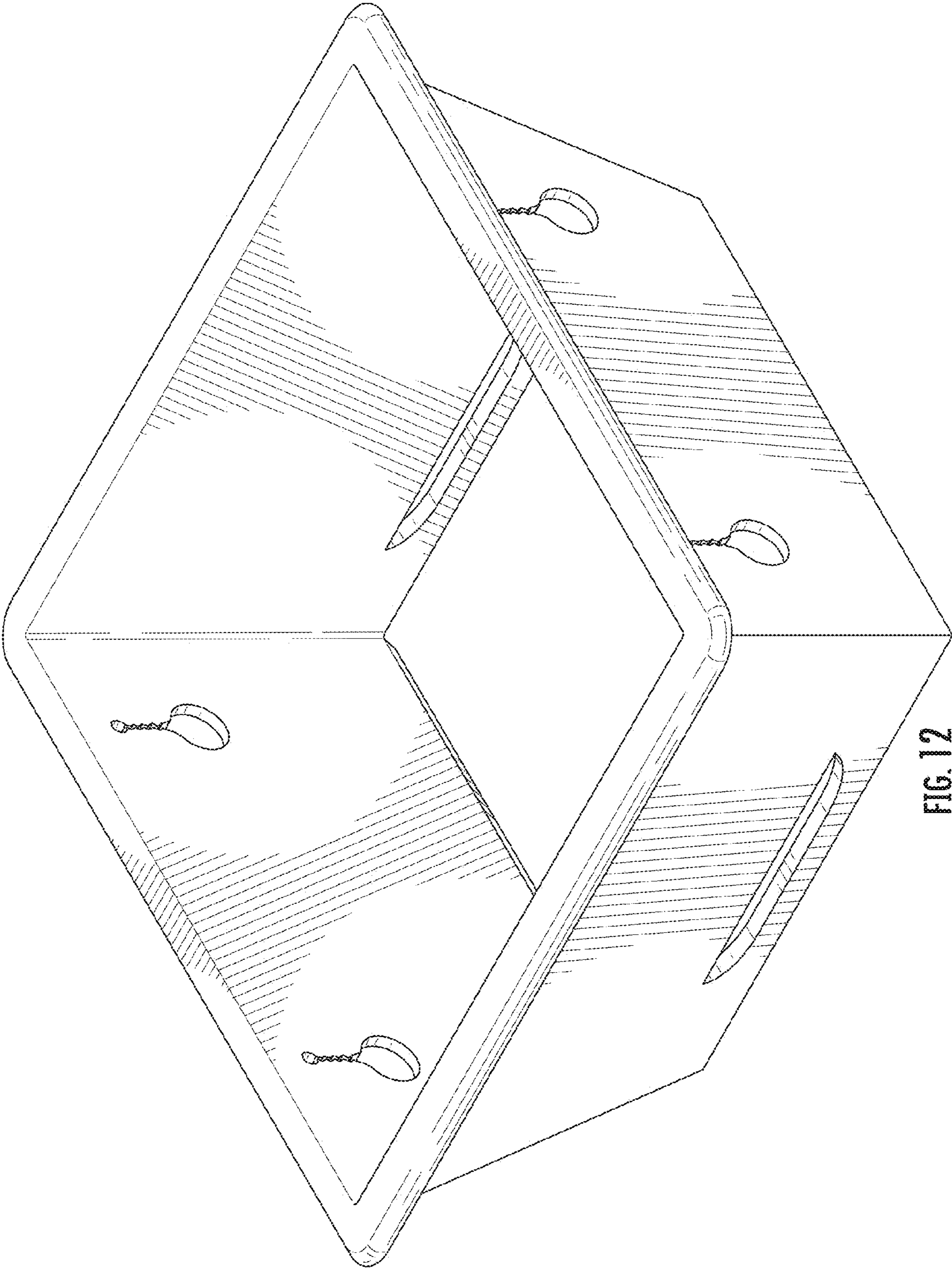


FIG. 12

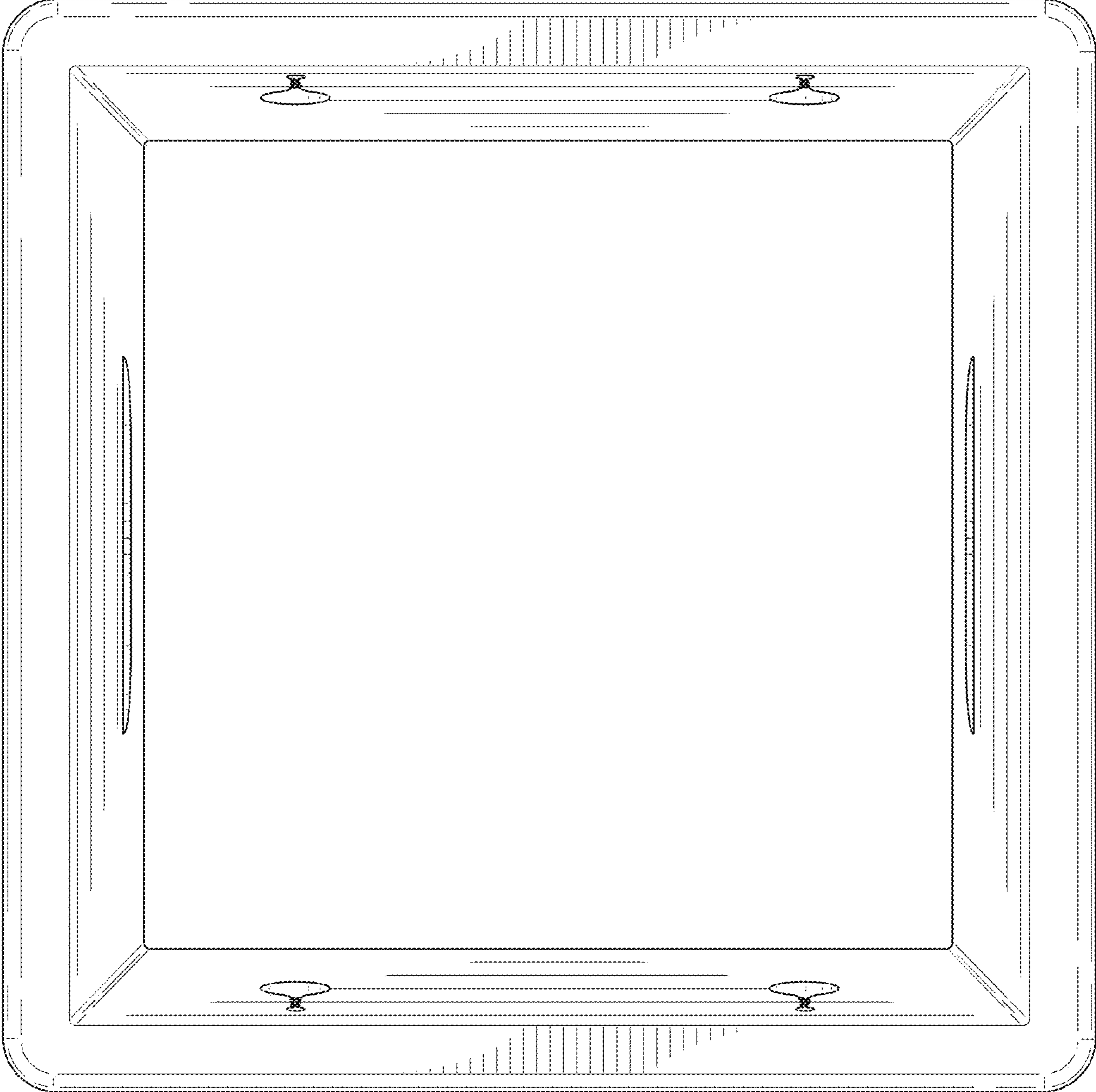


FIG. 13

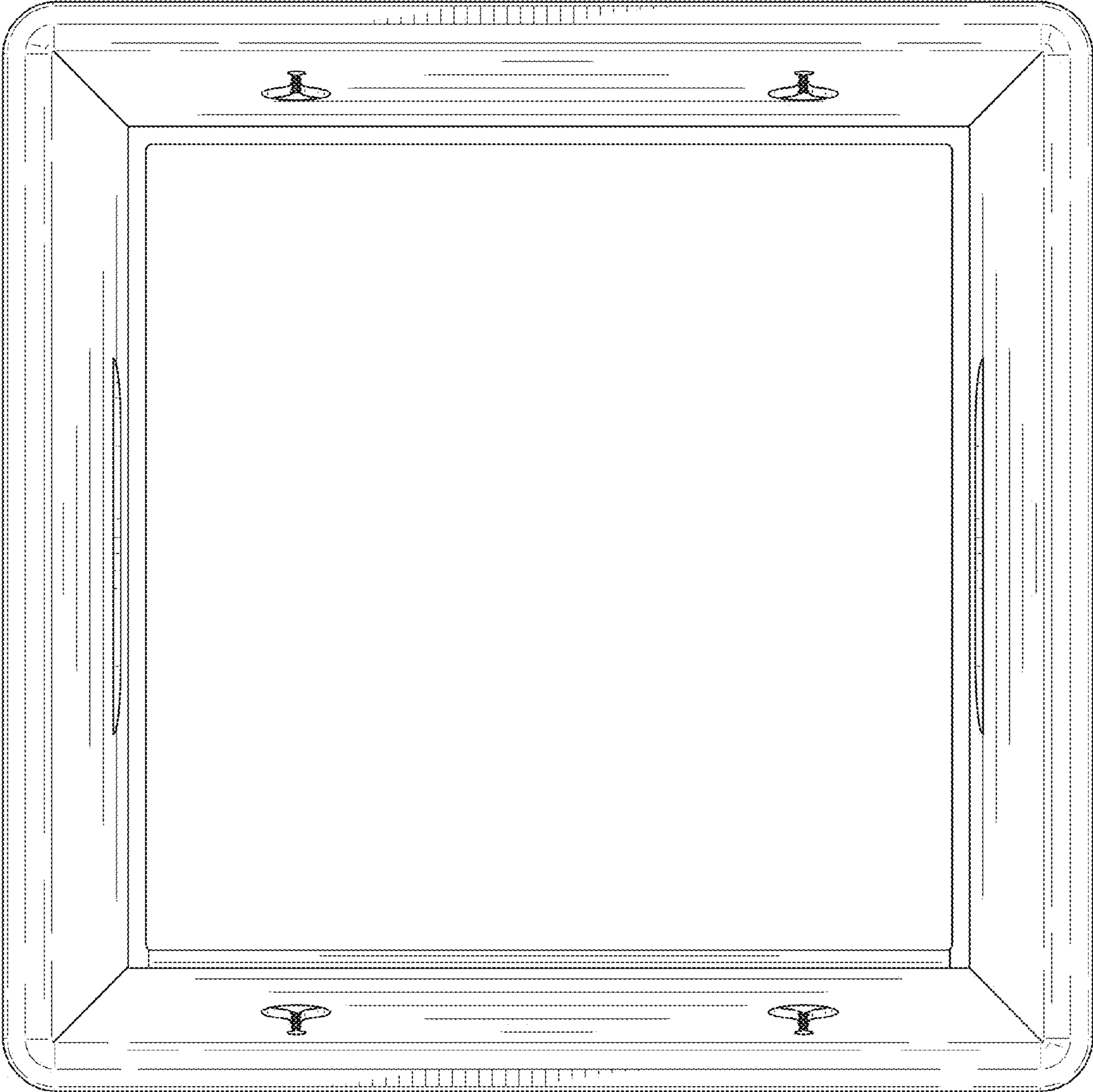


FIG. 14

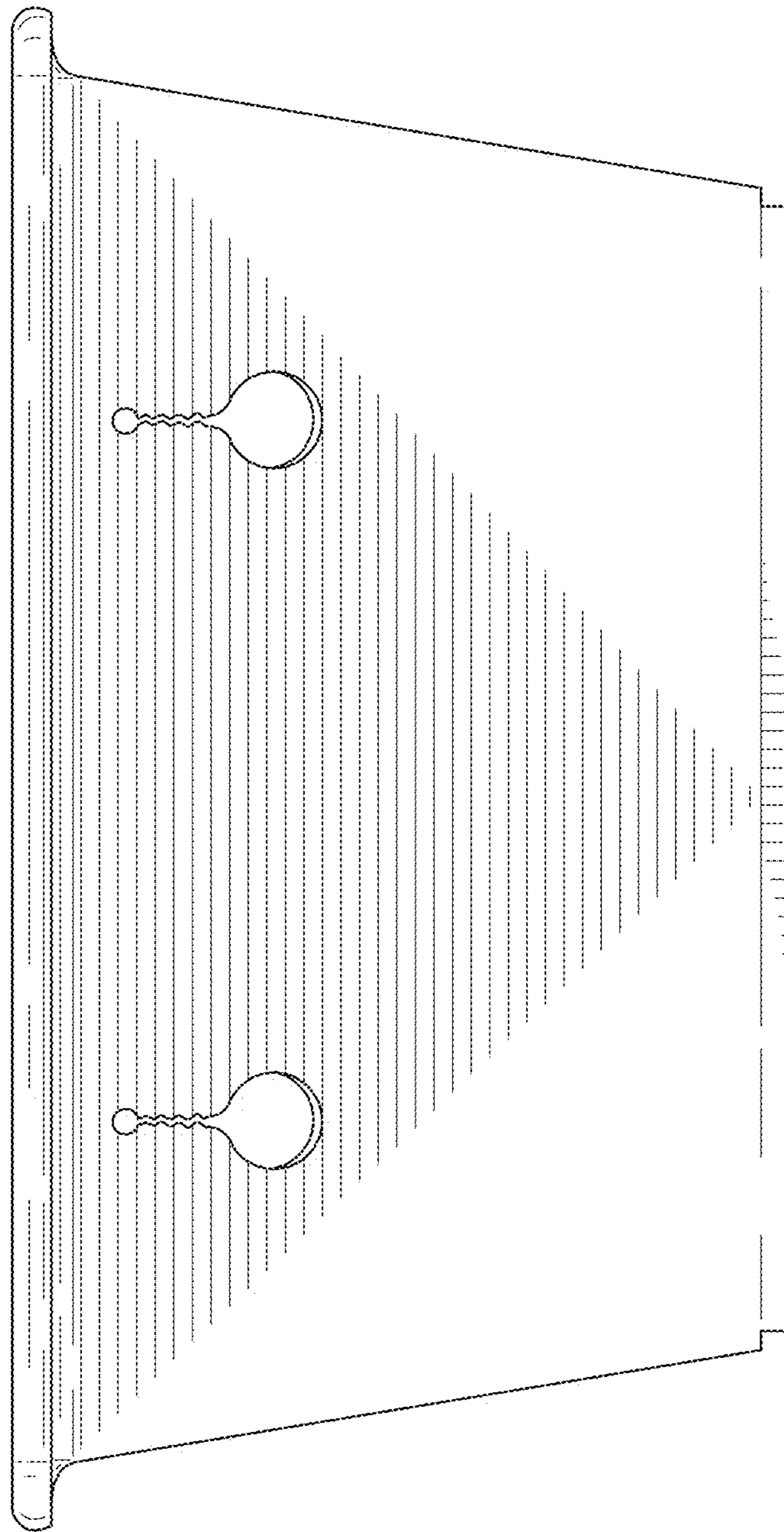


FIG. 15

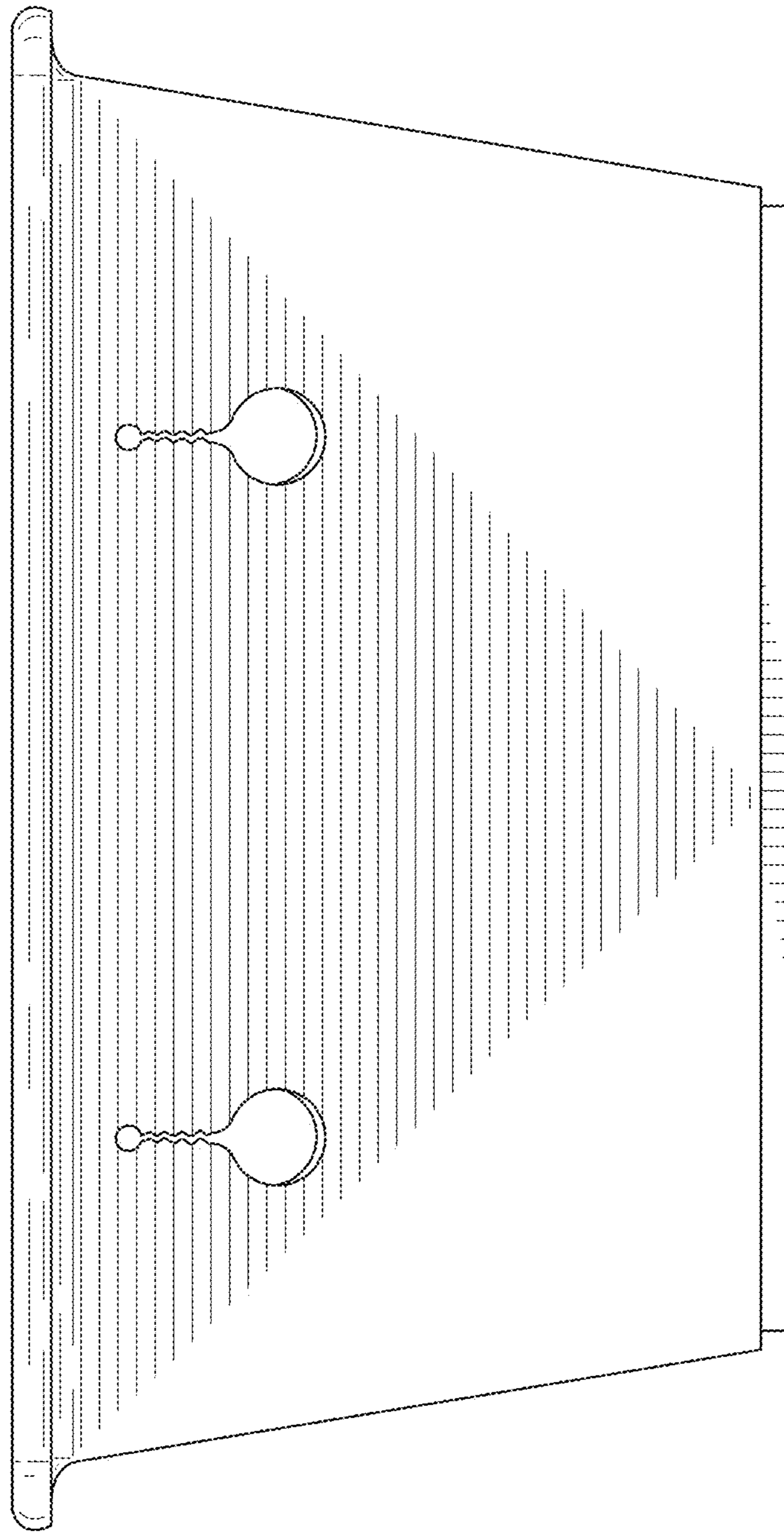


FIG. 16

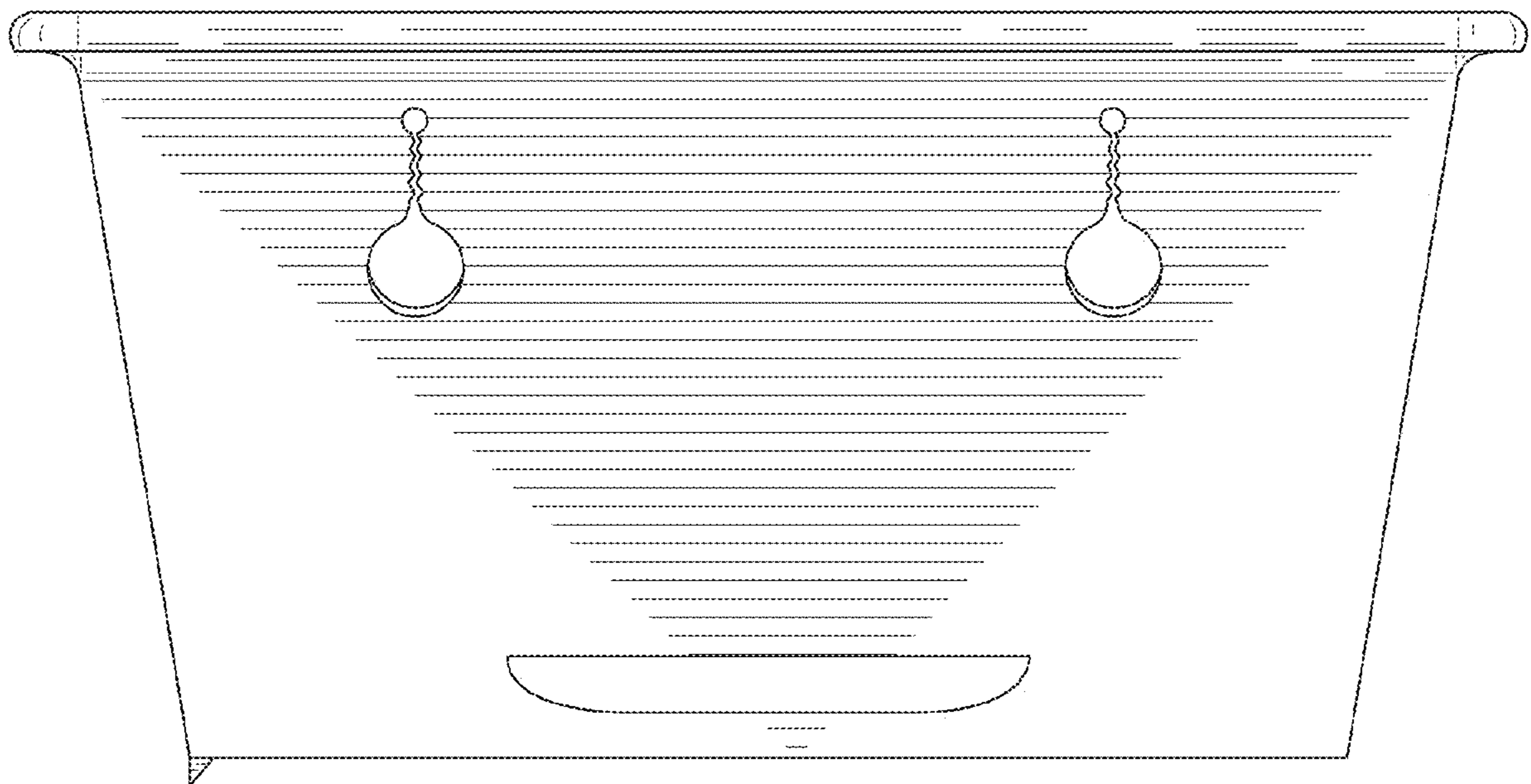


FIG. 17

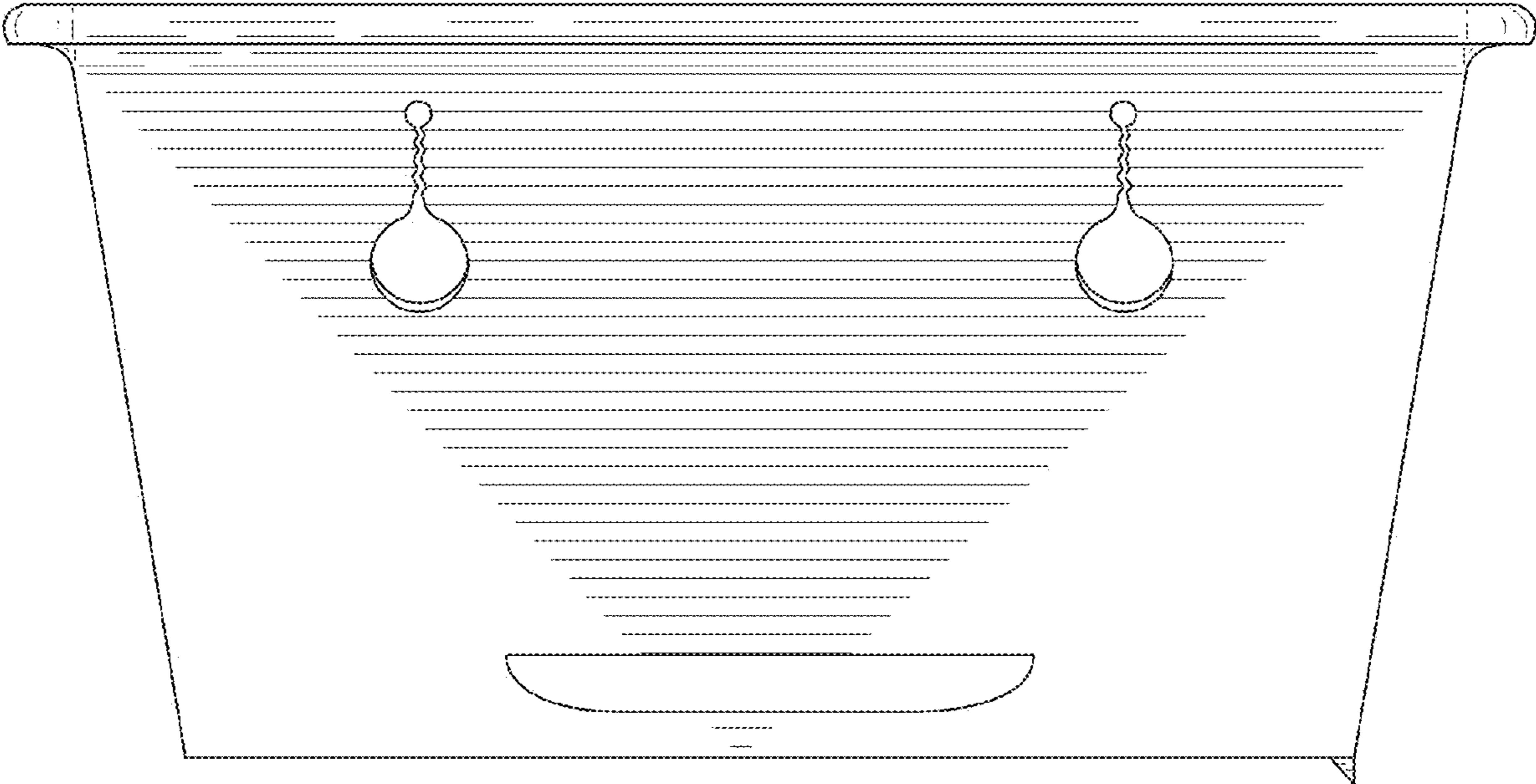


FIG. 18