



US00D976507S

(12) **United States Design Patent**  
**Douglas et al.**

(10) **Patent No.:** **US D976,507 S**  
(45) **Date of Patent:** **\*\* Jan. 24, 2023**

(54) **ROBOTIC VACUUM CLEANER**

(71) Applicant: **Dyson Technology Limited**, Wiltshire (GB)  
(72) Inventors: **Philip Stephen Douglas**, Bristol (GB); **Simon Brian McNamee**, Bristol (GB); **Alexander Patrick Webster**, Bristol (GB); **Alexander Stuart Knox**, Swindon (GB); **Giles Ashbee**, Swindon (GB); **William Henry Kerr**, Bristol (GB); **Andrew Martin Mitchell**, Swindon (GB); **James Murray Orchard**, Bath (GB); **Tom Briscoe**, Bristol (GB)

(73) Assignee: **Dyson Technology Limited**, Malmesbury (GB)

(\*\*) Term: **15 Years**

(21) Appl. No.: **29/751,943**

(22) Filed: **Sep. 24, 2020**

(30) **Foreign Application Priority Data**

Mar. 25, 2020 (EM) ..... 007771803-0001

(51) **LOC (14) Cl.** ..... **15-05**

(52) **U.S. Cl.**  
USPC ..... **D32/21**

(58) **Field of Classification Search**  
USPC ..... D8/70; D15/199; D16/230; D32/1, 21, D32/31  
CPC ..... A47L 9/009; A47L 2201/00; A47L 13/10; A47L 13/00; A47L 11/32; A47L 11/24; A47L 11/00; A47L 11/02  
See application file for complete search history.

(56) **References Cited**

**U.S. PATENT DOCUMENTS**

D593,265 S \* 5/2009 Carr ..... D32/21  
D720,103 S \* 12/2014 Haug ..... D32/21

D798,007 S \* 9/2017 Wo ..... D32/21  
9,968,234 B2 \* 5/2018 Chao ..... A47L 11/305  
D859,764 S \* 9/2019 Sexton ..... D32/21  
D860,557 S \* 9/2019 Gnielka ..... D32/21  
D862,010 S \* 10/2019 Smith ..... D32/21  
10,967,749 B2 \* 4/2021 O'Brien ..... H05F 3/02  
D926,398 S \* 7/2021 Kim ..... D32/21  
D927,107 S \* 8/2021 Choi ..... D32/21

(Continued)

**FOREIGN PATENT DOCUMENTS**

KR 3011126730001 \* 11/2021

**OTHER PUBLICATIONS**

TechAdvisor.com Dyson's new robot vacuum <https://www.techadvisor.com/article/744885/dysons-new-robot-vacuum-price-release-date-and-features.html> (Year: 2021).\*

*Primary Examiner* — Kevin K Rudzinski

*Assistant Examiner* — Richard E Yenchesky

(74) *Attorney, Agent, or Firm* — Faegre Drinker Biddle & Reath LLP

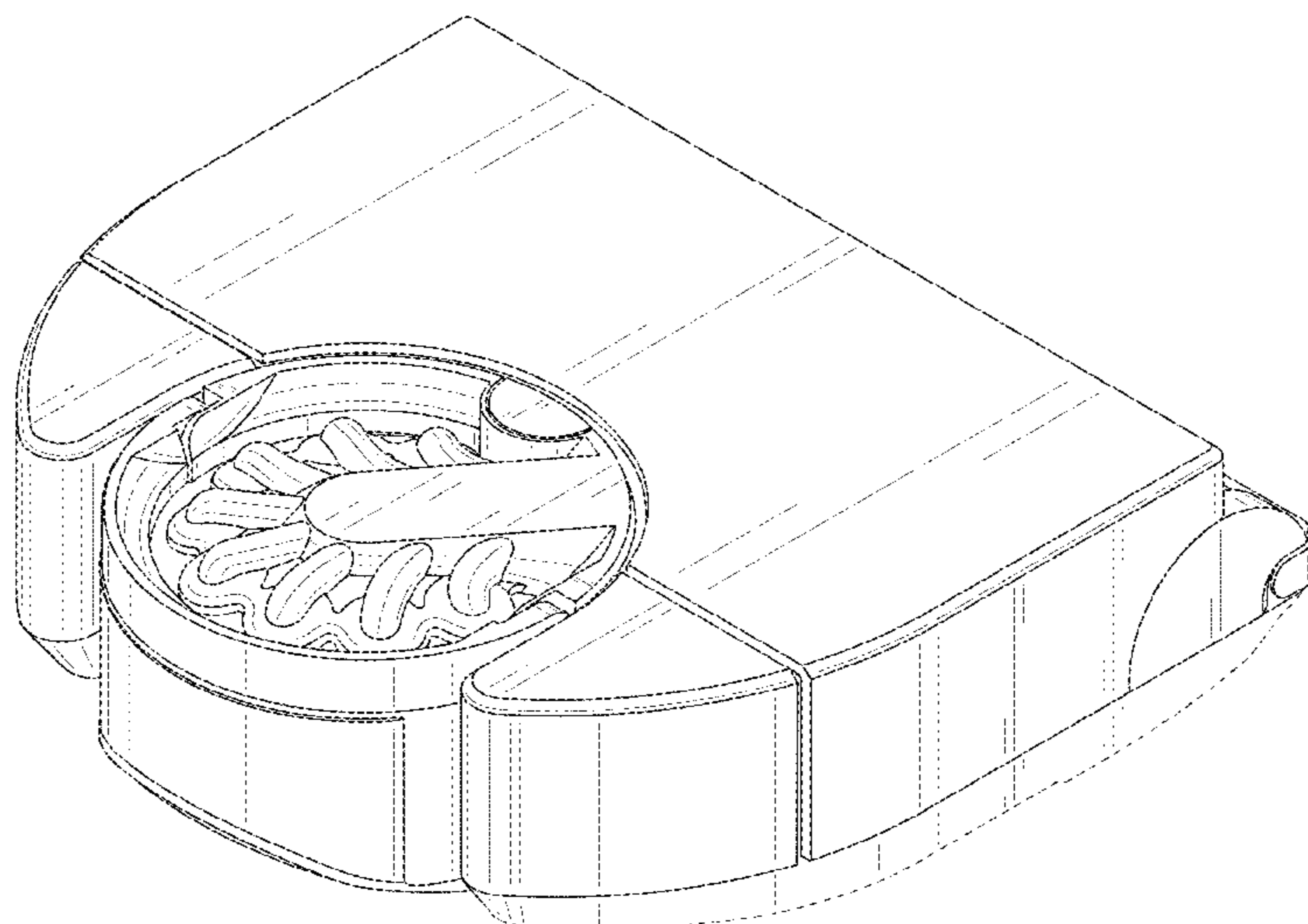
(57) **CLAIM**

We claim the ornamental design for a robotic vacuum cleaner, as shown and described.

**DESCRIPTION**

FIG. 1 is a front perspective view of a robotic vacuum cleaner showing our new design;  
FIG. 2 is a top view thereof;  
FIG. 3 is a bottom view thereof;  
FIG. 4 is a side view thereof;  
FIG. 5 is a side view of the opposite side of FIG. 4;  
FIG. 6 is a front view thereof; and,  
FIG. 7 is a rear view thereof.  
The broken lines shown in the drawings illustrate portions of a robotic vacuum cleaner that form no part of the claimed design.

**1 Claim, 7 Drawing Sheets**



(56)

**References Cited**

U.S. PATENT DOCUMENTS

D930,299 S \* 9/2021 Lee ..... D15/199  
D933,319 S \* 10/2021 Lyu ..... D15/199  
D935,118 S \* 11/2021 Lee ..... D32/21  
D938,676 S \* 12/2021 Takahashi ..... D32/21  
D946,840 S \* 3/2022 Lv ..... D32/21  
2018/0242801 A1\* 8/2018 Kim ..... A47L 9/1625  
2019/0200826 A1\* 7/2019 Burbank ..... A47L 9/102  
2019/0282050 A1\* 9/2019 Hyun ..... A47L 9/2826  
2021/0038033 A1\* 2/2021 Sexton ..... A47L 9/04  
2021/0373564 A1\* 12/2021 Eickenberg ..... A47L 9/2852  
2022/0061611 A1\* 3/2022 Choi ..... A47L 9/0488  
2022/0061616 A1\* 3/2022 Yoon ..... G01S 7/4811

\* cited by examiner

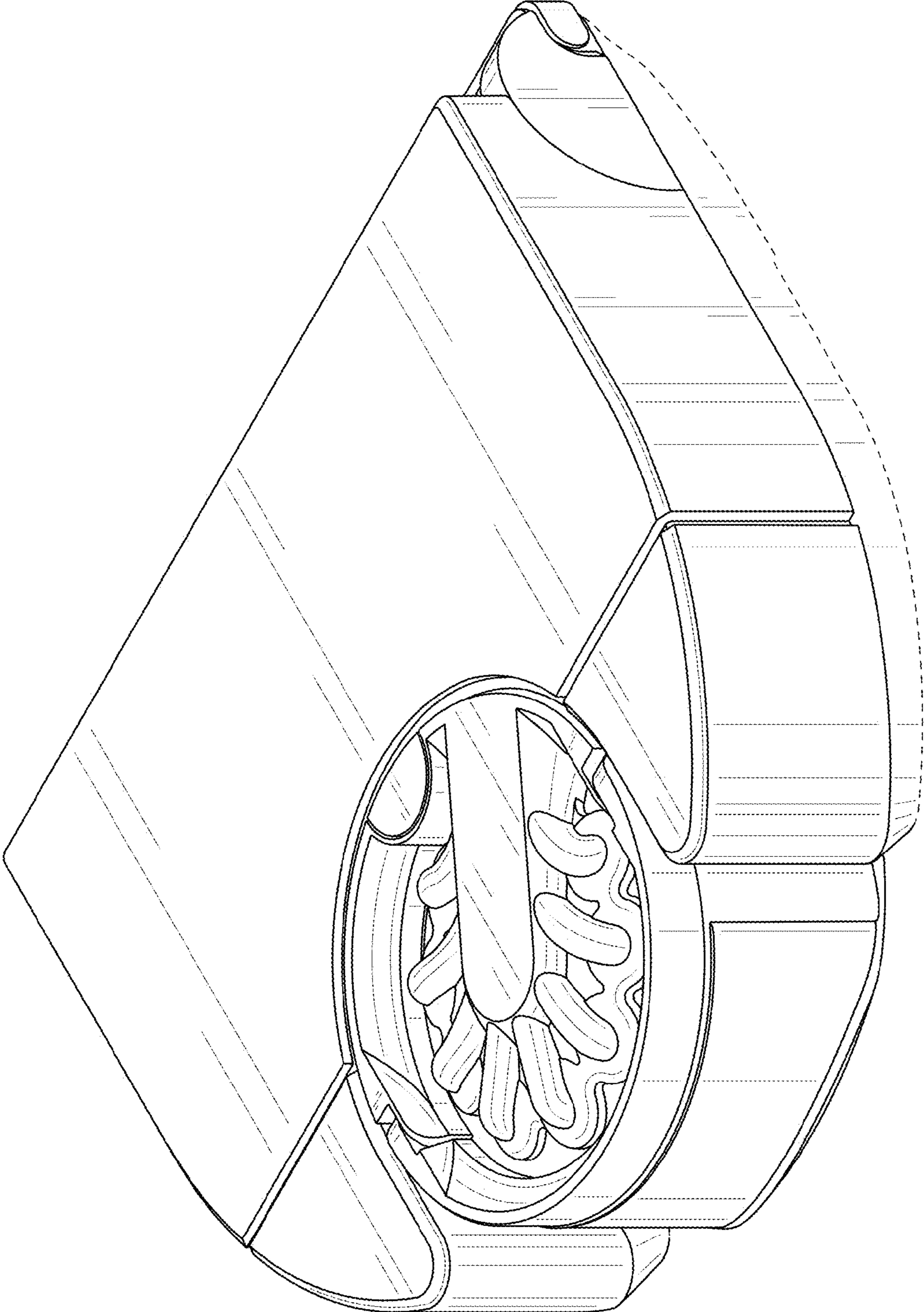


FIG. 1

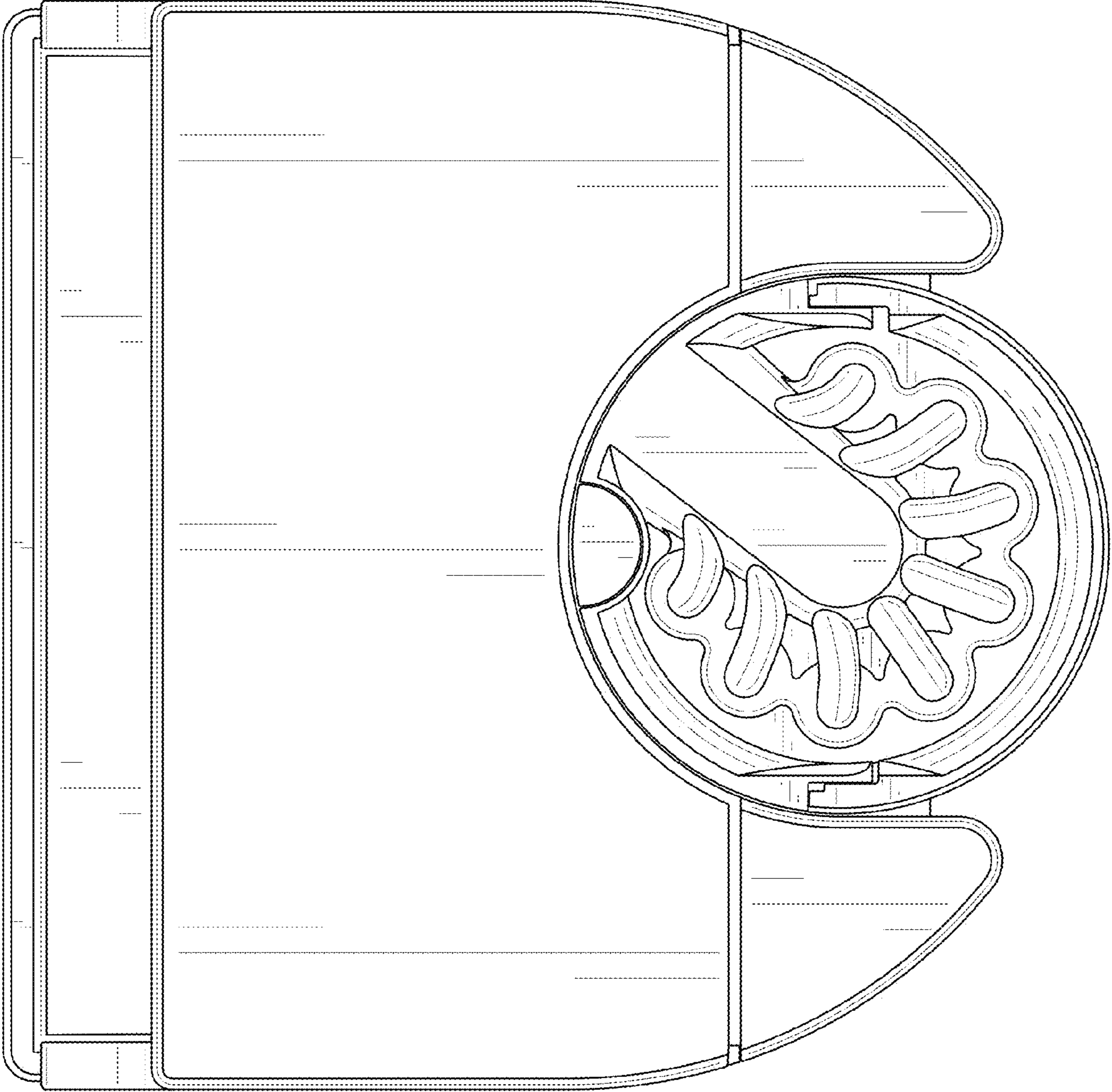


FIG. 2

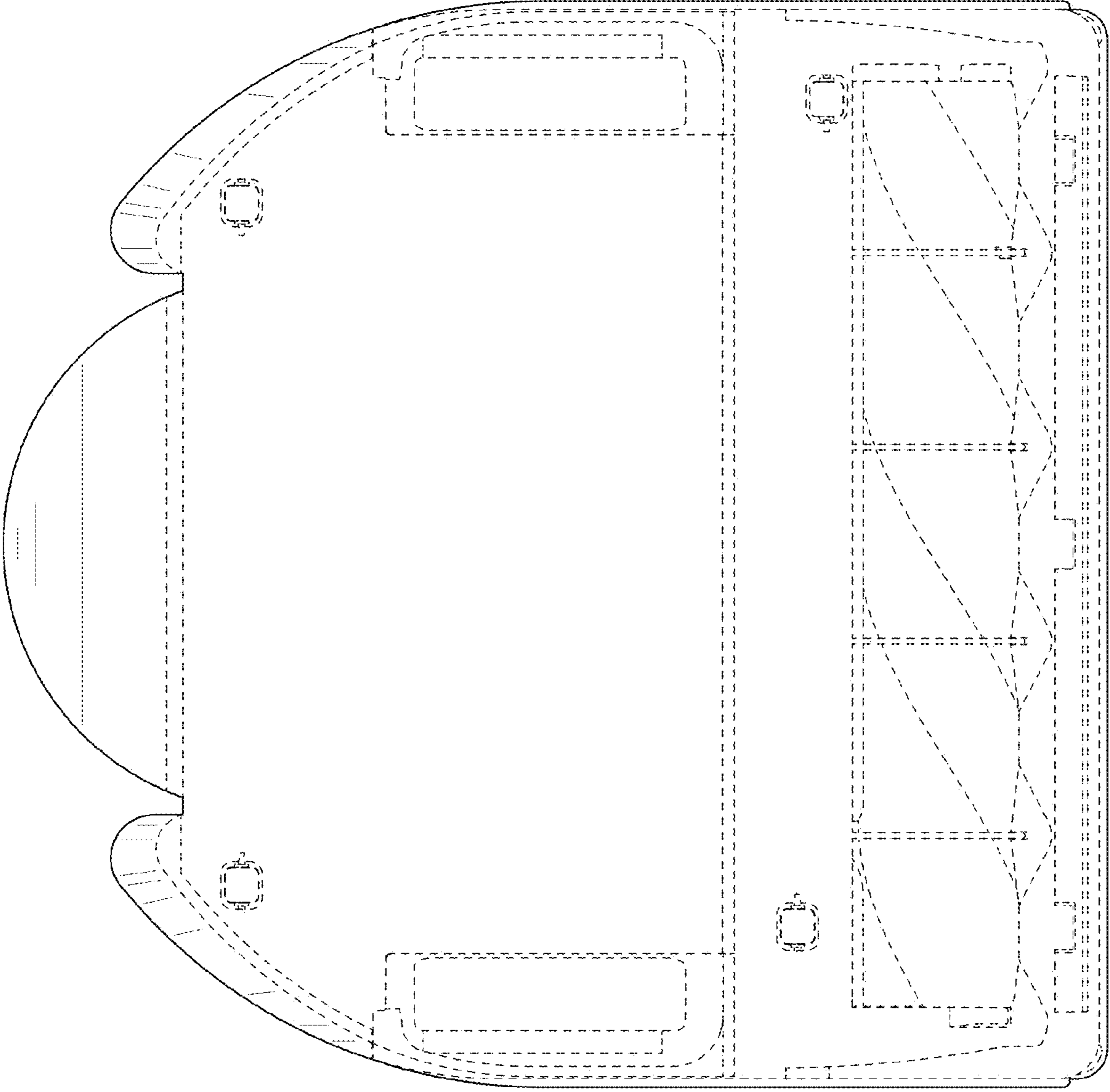


FIG. 3

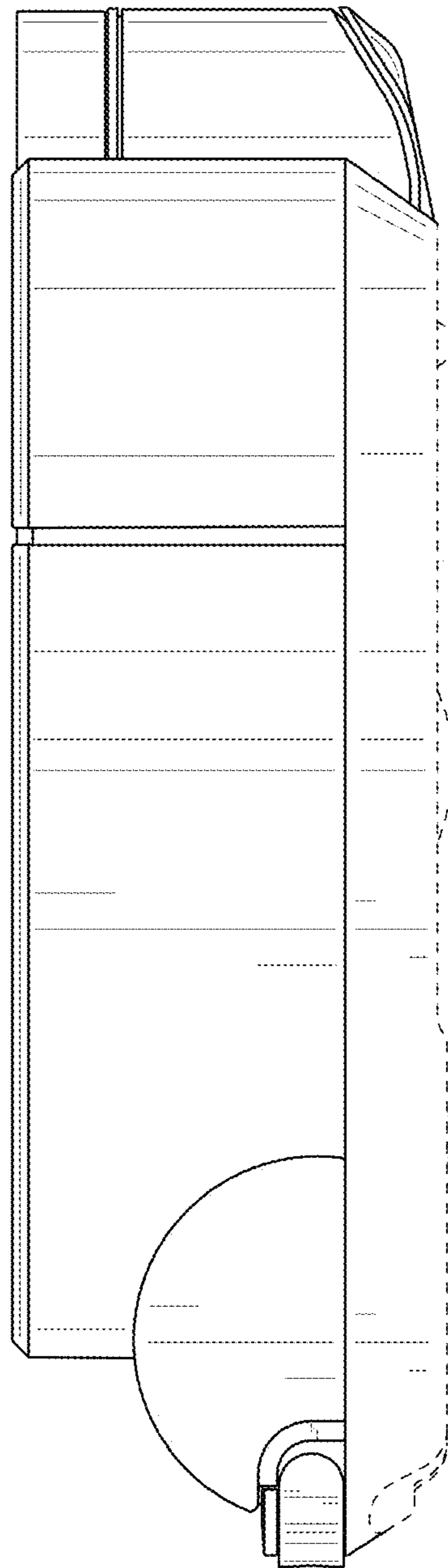


FIG. 4

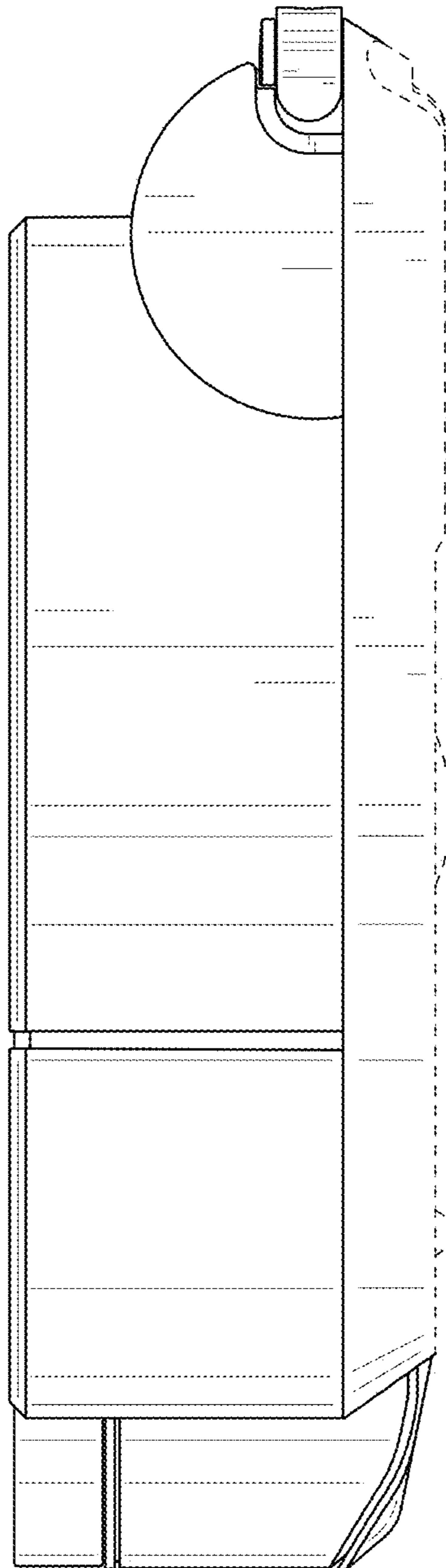


FIG. 5

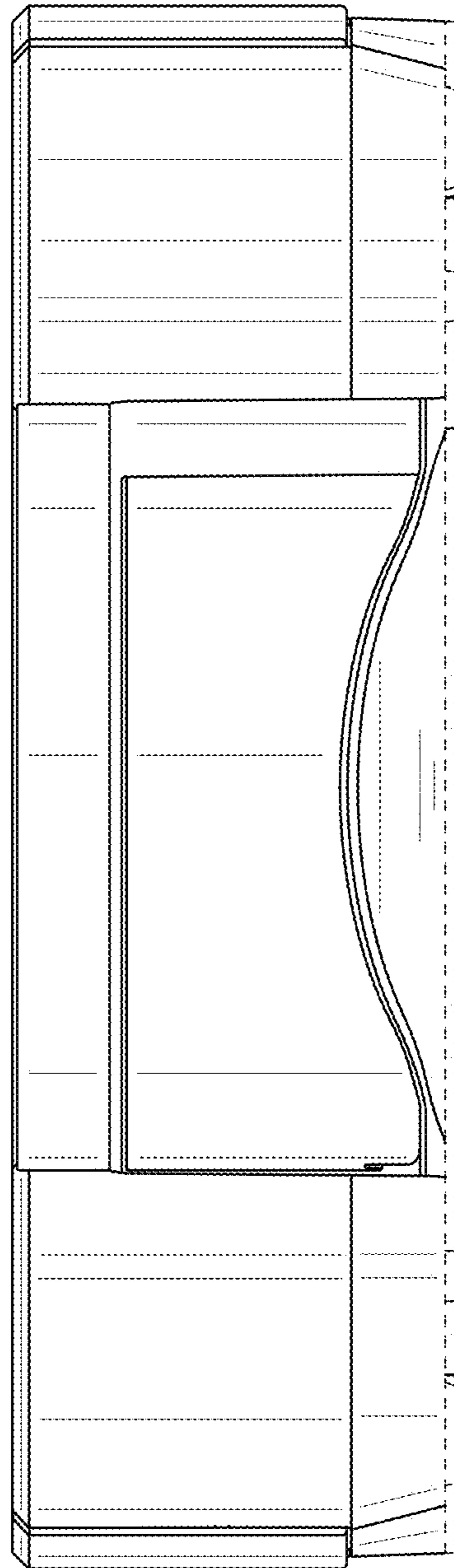


FIG. 6



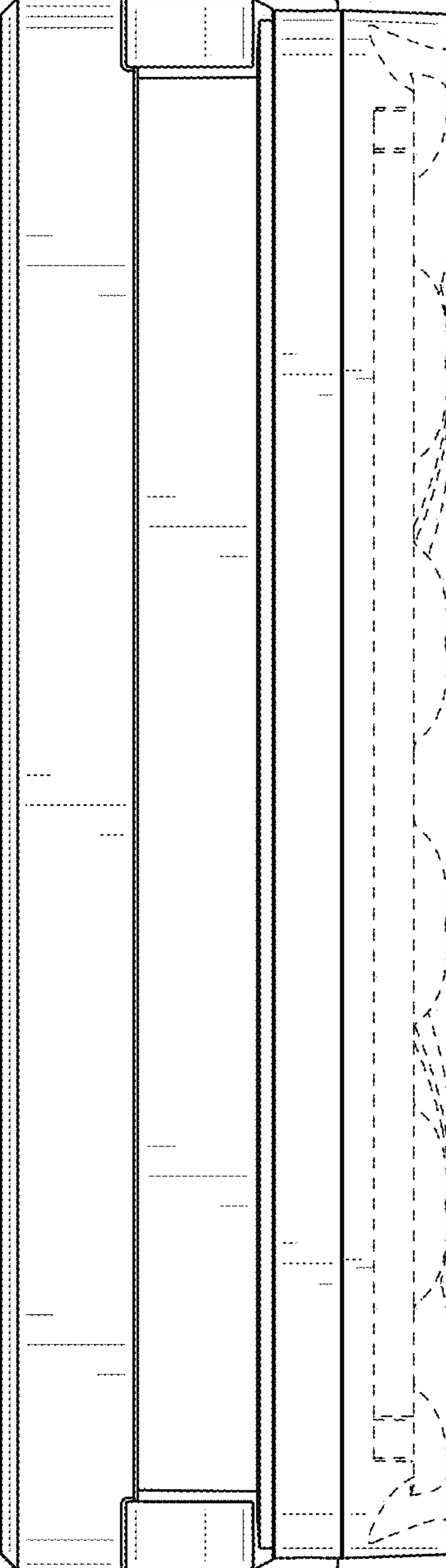


FIG. 7