



US00D976506S

(12) **United States Design Patent** (10) **Patent No.:** **US D976,506 S**  
**Harrington et al.** (45) **Date of Patent:** **\*\* Jan. 24, 2023**

(54) **POLE CONNECTION FOR A WINDOW CLEANING TOOL**

D287,896 S \* 1/1987 Genoa ..... D32/32  
4,653,142 A 3/1987 Upton  
D290,553 S 6/1987 Clivio et al.

(71) Applicant: **Unger Marketing International, LLC**,  
Bridgeport, CT (US)

(Continued)

FOREIGN PATENT DOCUMENTS

(72) Inventors: **William Harrington**, Newtown, CT  
(US); **Kai Hirsch**, Cologne (DE);  
**Cristian Siems**, Westphalia (DE)

CN 303965693 12/2016  
CN 304798729 9/2018

(Continued)

(73) Assignee: **UNGER MARKETING INTERNATIONAL, LLC**, Bridgeport,  
CT (US)

OTHER PUBLICATIONS

(\*\*) Term: **15 Years**

Aubret Distribution, "Aubriject systeme, Etudie et teste par des professionnels du nettoyage", concepteur fabricant de systemes innovants, 2015, 24 pages.

(Continued)

(21) Appl. No.: **29/767,067**

(22) Filed: **Jan. 20, 2021**

Primary Examiner — John R Yeh

(51) **LOC (14) Cl.** ..... **15-05**

(74) *Attorney, Agent, or Firm* — Cantor Colburn LLP

(52) **U.S. Cl.**  
USPC ..... **D32/19**

(58) **Field of Classification Search**  
USPC ..... D32/15-16, 25, 31-42, 46-52;  
D4/114-116; D8/107  
CPC . A47L 1/16; A47L 13/46; A47L 13/06; A47L  
13/23; A47J 43/288; A63B 49/08; B25G  
1/10; A01G 3/06  
See application file for complete search history.

(57) **CLAIM**

The ornamental design for a pole connection for a window cleaning tool, as shown and described.

**DESCRIPTION**

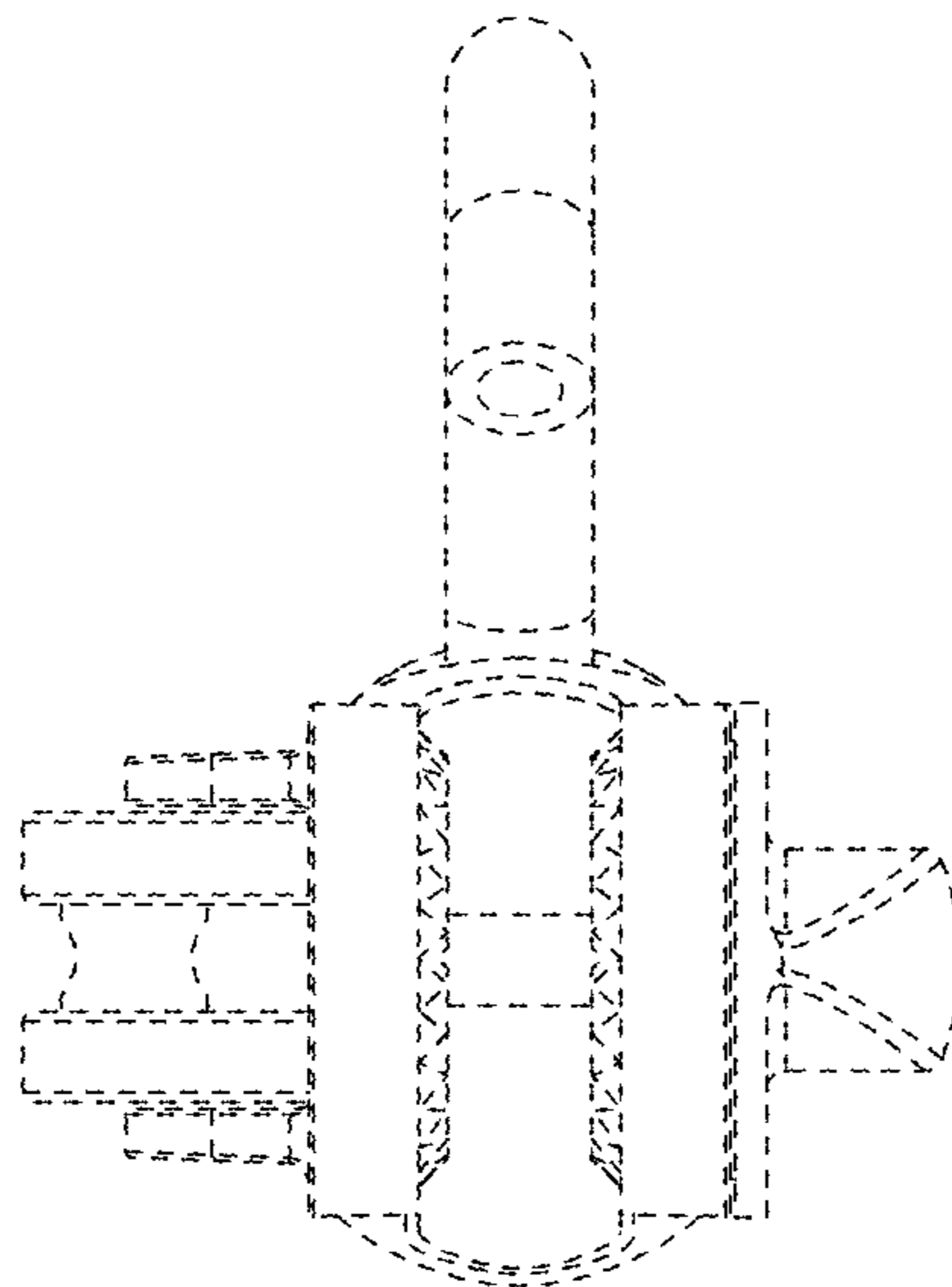
FIG. 1 is a top, rear, right side perspective view of a pole connection for a window cleaning tool showing our new design;  
FIG. 2 is a rear elevation view thereof;  
FIG. 3 is a front elevation view thereof;  
FIG. 4 is a right side elevation view thereof;  
FIG. 5 is a left side elevation view thereof;  
FIG. 6 is a top plan view thereof;  
FIG. 7 is a bottom plan view thereof; and,  
FIG. 8 is a top, front, right side perspective view thereof.  
The broken lines in the drawings depict bounds and environment of the pole connection for a window cleaning tool that form no part of the claimed design.

(56) **References Cited**

U.S. PATENT DOCUMENTS

2,789,298 A 4/1957 Peterson  
D258,908 S \* 4/1981 Satoh ..... D23/383  
4,325,157 A 4/1982 Balint et al.  
4,335,481 A 6/1982 Slayman  
D265,999 S \* 8/1982 Baruffa ..... D32/9  
D274,273 S 6/1984 Auerbach  
4,461,057 A 7/1984 Unger  
4,517,700 A 5/1985 Pinto  
4,575,270 A 3/1986 Hammond  
D284,897 S \* 7/1986 Rubio ..... D32/51

**1 Claim, 5 Drawing Sheets**



(56)

References Cited

U.S. PATENT DOCUMENTS

4,717,180 A 1/1988 Roman  
 4,720,883 A 1/1988 Sanchez  
 D300,660 S \* 4/1989 Harada ..... D24/174  
 D303,026 S \* 8/1989 Kilakis ..... D32/32  
 D319,714 S \* 9/1991 Gierke ..... D32/15  
 D323,724 S \* 2/1992 Gierke ..... D32/15  
 D329,948 S 10/1992 Hanner  
 D331,189 S 11/1992 Daigle et al.  
 5,213,432 A 5/1993 Chappell  
 5,316,264 A 5/1994 Newman, Sr. et al.  
 5,332,090 A 7/1994 Tucker  
 D350,722 S \* 9/1994 Figueroa ..... D12/345  
 5,375,938 A 12/1994 Bartlow  
 D357,098 S \* 4/1995 Caligiuri ..... D32/45  
 D359,148 S \* 6/1995 Henrie ..... D32/33  
 5,487,529 A 1/1996 Newville  
 5,502,864 A 4/1996 Sorenson  
 D375,822 S \* 11/1996 Lessig, III ..... D32/32  
 5,702,194 A 12/1997 Hsu  
 D404,924 S \* 2/1999 Schmidt ..... D32/51  
 5,875,509 A \* 3/1999 Facca ..... A47L 13/12  
 15/118  
 D414,405 S 9/1999 Tompkins  
 D417,141 S 11/1999 Senninger  
 5,983,455 A 11/1999 Polzin et al.  
 6,010,267 A 1/2000 Vito  
 D424,767 S 5/2000 Shea  
 D432,744 S \* 10/2000 Schuda ..... D32/19  
 6,254,153 B1 7/2001 Poppa  
 6,336,764 B1 1/2002 Liu  
 6,371,686 B1 4/2002 Wu  
 6,413,002 B1 7/2002 Delaine, Jr.  
 6,550,727 B2 4/2003 Butterfield et al.  
 6,609,847 B1 \* 8/2003 Wang ..... B08B 3/04  
 15/176.3  
 D488,599 S \* 4/2004 Chika ..... D32/25  
 D496,512 S \* 9/2004 Treacy ..... D4/138  
 7,001,095 B1 \* 2/2006 Chen ..... A46B 11/066  
 401/47  
 7,008,130 B1 3/2006 Hill  
 D518,934 S 4/2006 Williams  
 D522,700 S \* 6/2006 Rademeyer ..... D32/15  
 D526,102 S \* 8/2006 Adams ..... D32/32  
 D531,367 S 10/2006 Hay  
 D547,508 S 7/2007 Thomas  
 7,407,336 B2 8/2008 Giacomo  
 7,416,361 B1 8/2008 Ostrobrod  
 D585,616 S 1/2009 Libman et al.  
 7,670,072 B2 3/2010 Tella et al.  
 7,694,387 B1 4/2010 Huang  
 7,802,340 B2 9/2010 Knopow et al.  
 D636,661 S 4/2011 Marmas  
 8,006,711 B2 8/2011 Pietrzak et al.  
 D658,053 S 4/2012 Okun

D658,891 S 5/2012 Green  
 D661,981 S 6/2012 Melino, Sr. et al.  
 8,276,605 B2 10/2012 Heathcote et al.  
 8,347,443 B1 1/2013 Conrad  
 D703,406 S 4/2014 Meyer  
 9,060,470 B1 6/2015 Donaldson  
 9,241,560 B1 1/2016 Angel  
 9,561,520 B2 \* 2/2017 Metaxatos ..... B05B 13/0278  
 D793,640 S 8/2017 Buckley et al.  
 9,877,631 B2 1/2018 Patterson et al.  
 D821,188 S 6/2018 Smullen  
 D838,925 S \* 1/2019 Qiu ..... D32/15  
 D850,899 S 6/2019 Gridley  
 10,352,344 B2 7/2019 Muirhead  
 D906,096 S \* 12/2020 Larouche ..... D8/355  
 D917,121 S \* 4/2021 Enning ..... D32/32  
 D923,268 S \* 6/2021 Reed ..... D32/32  
 2006/0230581 A1 10/2006 Richardson et al.  
 2006/0282988 A1 12/2006 Lin  
 2008/0109975 A1 5/2008 Park et al.  
 2011/0056035 A1 3/2011 Burbacki  
 2013/0125325 A1 5/2013 Brancovsky  
 2016/0113375 A1 4/2016 Lim

FOREIGN PATENT DOCUMENTS

CN 208221272 U 12/2018  
 EP 3148391 B1 8/2018  
 GB 2549812 B 4/2018  
 GB 2557661 A 6/2018  
 JP D1471370 5/2013  
 JP D1706406 \* 2/2022  
 WO 2018051141 A1 3/2018

OTHER PUBLICATIONS

Exel Composites Plc, "Exel Extender Telescopic System" Brochure, 2011, 2 pages.  
 Exel Composites, "Tool Handles and Telescopes" Brochure, 2012, 12 pages.  
 Godfrey Systems International, Inc. Manufacturer & Distributer of Aerospace Lighting, "Telescopic Systems, Telescopic Handles, Telescopic Products : G. S. I. Inc." available at: [www.gsilight.com/EXELTELE.html](http://www.gsilight.com/EXELTELE.html), Updated Feb. 3, 2013, Accessed Jun. 19, 2020, 4 pages.  
 Spot-Lite V2 complete Glass Fibre water-fed Pole, Cleaning Spot., retrieved May 4, 2022, <https://www.cleaningspot.co.uk/water-fed-equipment/water-fed-poles/fibre-glass/spot-lite-v2-complete-glass-fibre-water-fed-pole/#/3367=size>.  
 Unger HydroPower Ultra Professional Kit 55' UHPK4, retrieved May 4, 2022 via [https://www.buyjanitorialdirect.com/Products/Unger-HydroPower-Ultra-Professional-Kit-55-UHPK4\\_UN-lbpc-UHPK4.aspx?via=search&pq=uhpk4](https://www.buyjanitorialdirect.com/Products/Unger-HydroPower-Ultra-Professional-Kit-55-UHPK4_UN-lbpc-UHPK4.aspx?via=search&pq=uhpk4).

\* cited by examiner

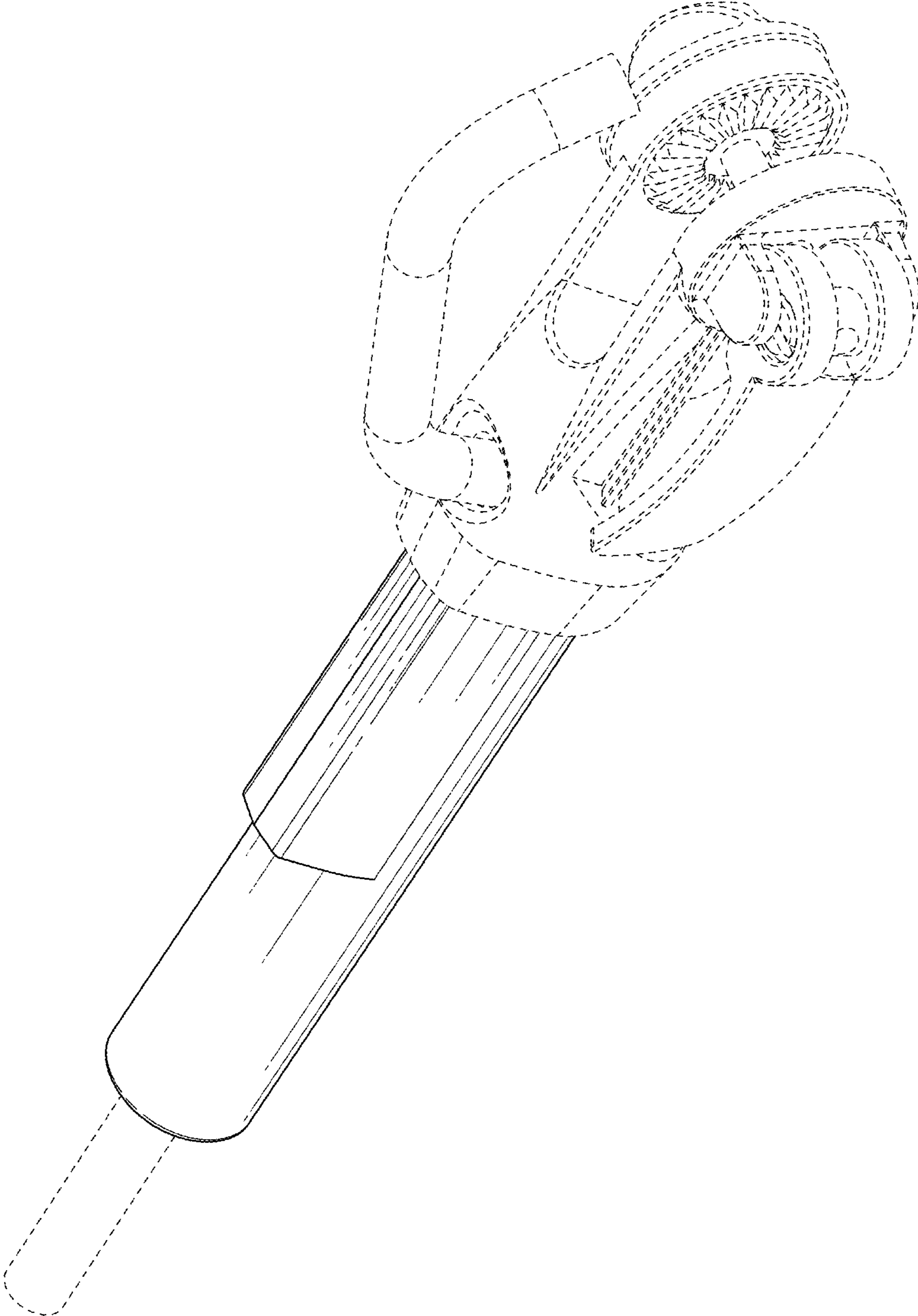
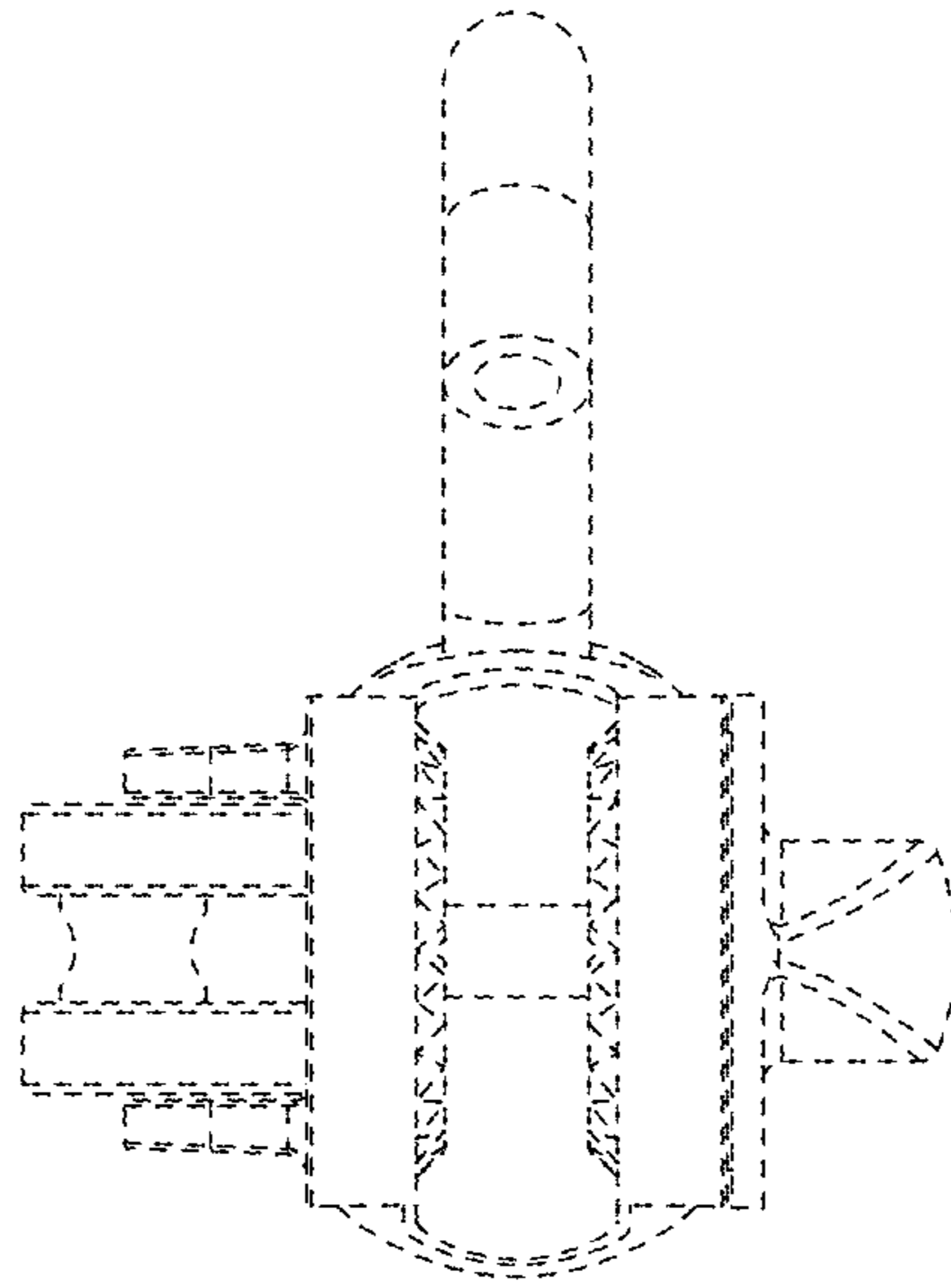
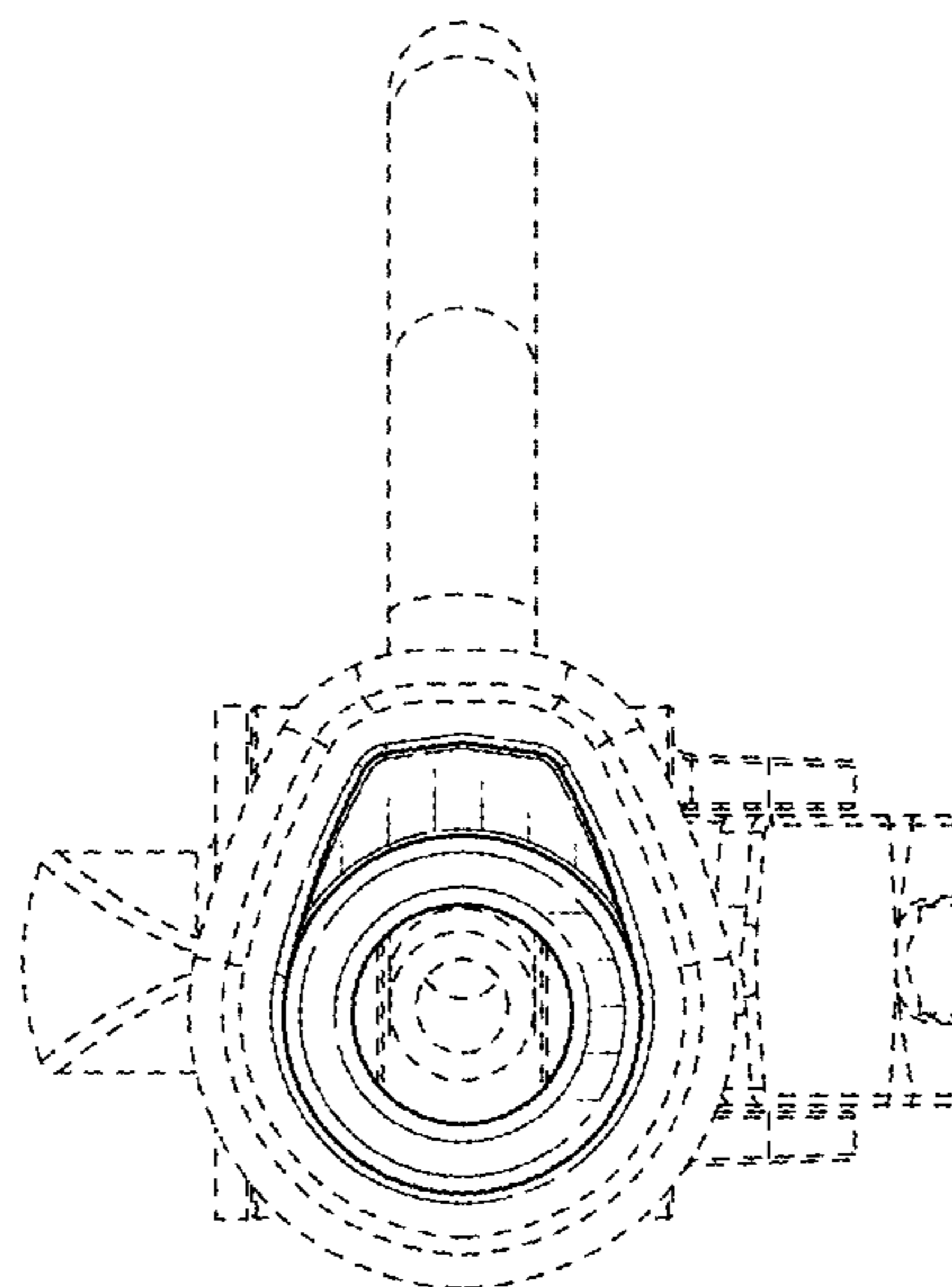


FIG. 1





**FIG. 2**



**FIG. 3**

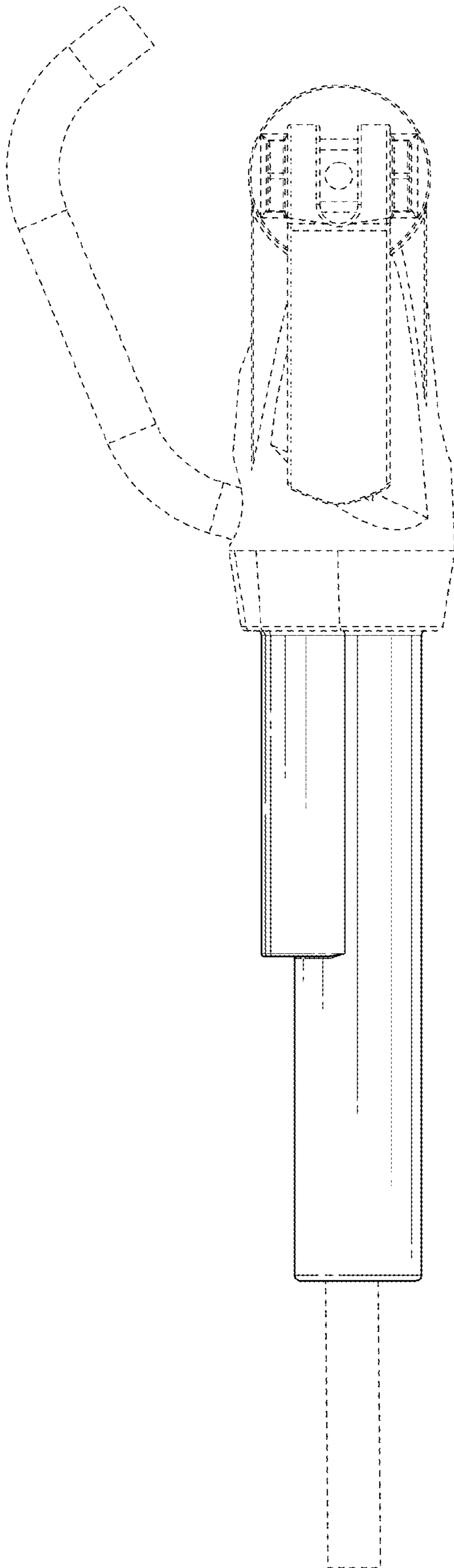


FIG. 4

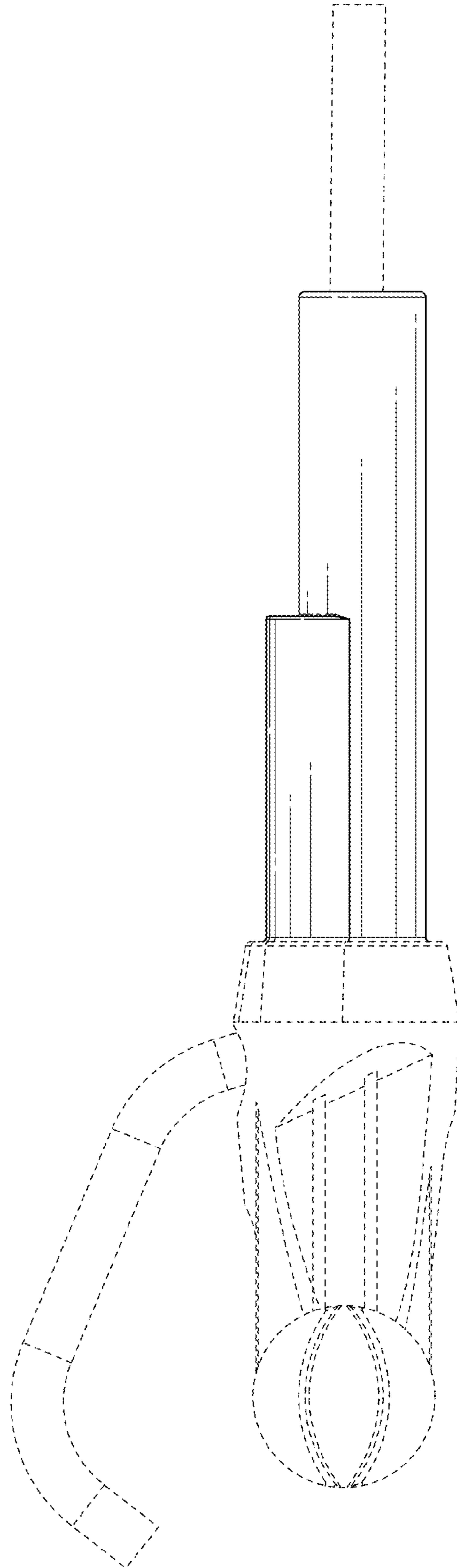


FIG. 5

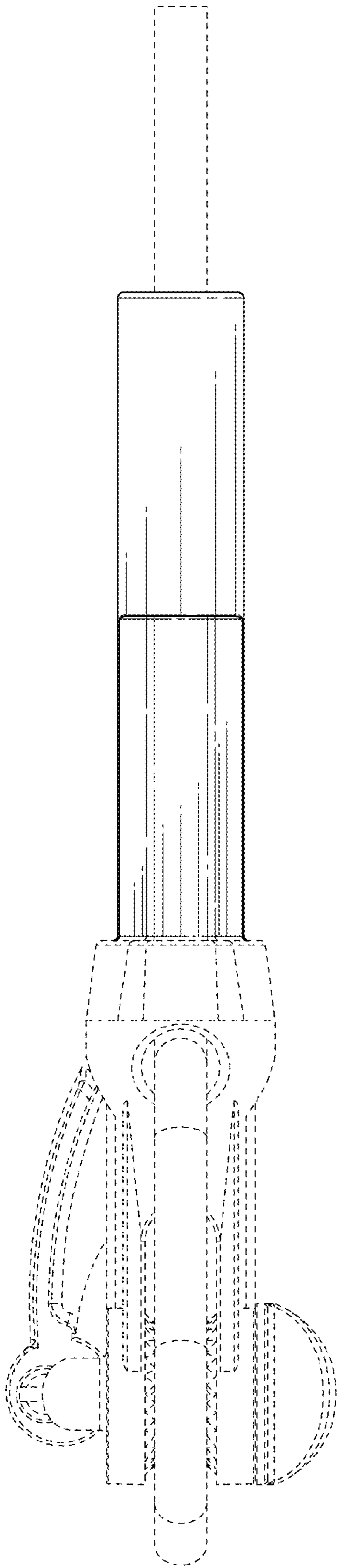


FIG. 6

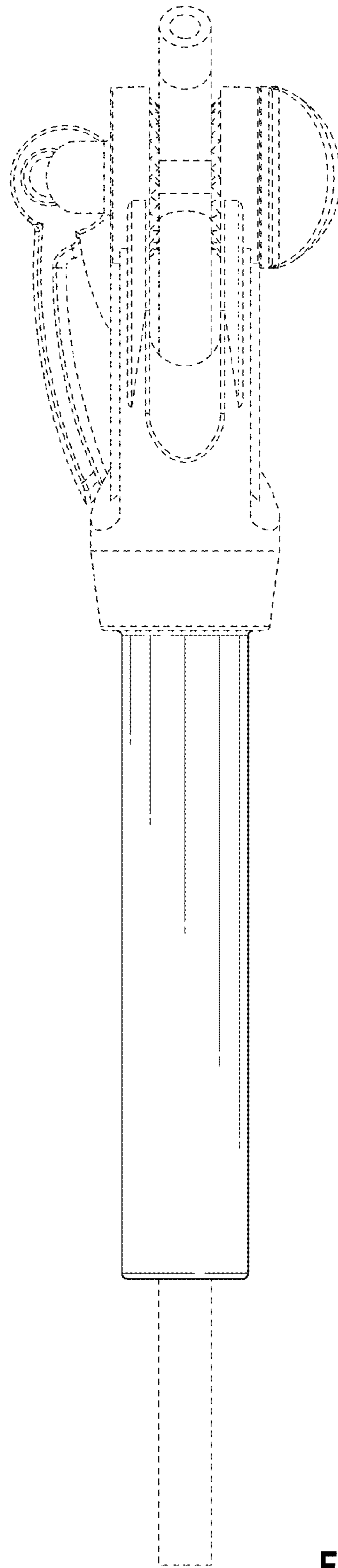


FIG. 7

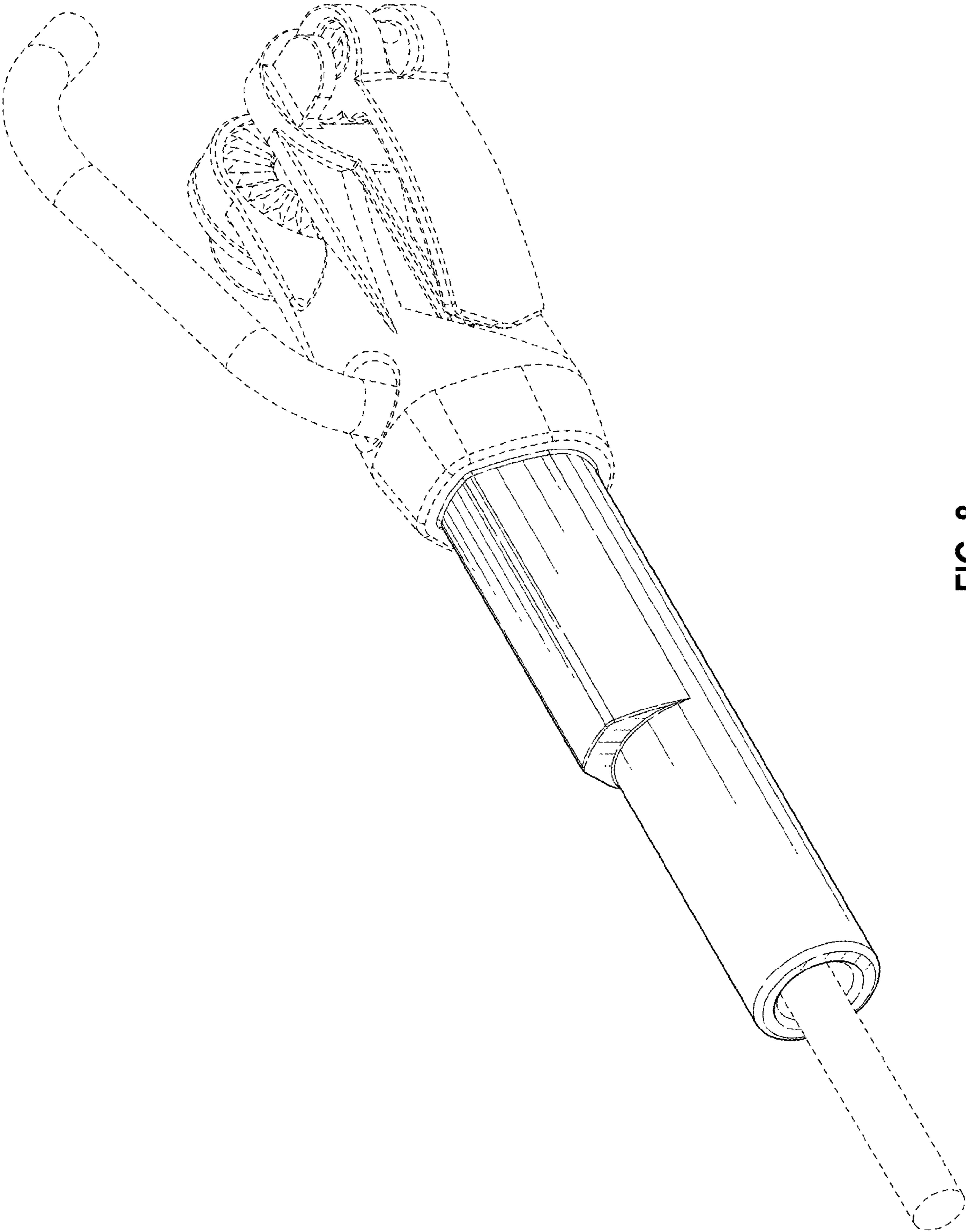


FIG. 8