



US00D976505S

(12) **United States Design Patent**  
**Tan et al.**

(10) **Patent No.:** **US D976,505 S**  
(45) **Date of Patent:** **\*\* Jan. 24, 2023**

- (54) **HANDHELD VACUUM CLEANER**
- (71) Applicant: **PUPPY ELECTRONIC APPLIANCES INTERNET TECHNOLOGY BEIJING CO., LTD,** Beijing (CN)
- (72) Inventors: **Chong Tan,** Beijing (CN); **Qifeng Shao,** Beijing (CN); **Yun Ma,** Beijing (CN); **Wubin Song,** Beijing (CN)
- (73) Assignee: **PUPPY ELECTRONIC APPLIANCES INTERNET TECHNOLOGY BEIJING CO., LTD,** Beijing (CN)
- (\*\*) Term: **15 Years**
- (21) Appl. No.: **29/716,552**
- (22) Filed: **Dec. 10, 2019**
- (30) **Foreign Application Priority Data**

- Oct. 15, 2019 (CN) ..... 201930560934.4
- (51) **LOC (14) Cl.** ..... **15-05**
- (52) **U.S. Cl.**  
USPC ..... **D32/18**
- (58) **Field of Classification Search**  
USPC ..... D32/17, 18, 21, 22, 31; D21/526  
CPC ..... A47L 5/24; A47L 5/28; A47L 5/30; A47L 5/34; A47L 5/36; A47L 9/04; A47L 9/102; A47L 9/106; A47L 11/30; A47L 11/302; A47L 11/4005; A47L 11/4008; A47L 11/4044; B04C 5/185; B23Q 11/0046; B23Q 11/0071; E04H 4/1636  
See application file for complete search history.

(56) **References Cited**  
U.S. PATENT DOCUMENTS

D731,130 S	*	6/2015	Dyson	.....	D32/18
D738,584 S	*	9/2015	Niedzwecki	.....	D32/22
D747,572 S	*	1/2016	Kerr	.....	D32/18
D798,009 S	*	9/2017	Salagnac	.....	D32/22

(Continued)

FOREIGN PATENT DOCUMENTS

CN	304536470	*	3/2018
CN	304572365	*	4/2018

(Continued)

OTHER PUBLICATIONS

6 Cordless Vacuums Amazon Shoppers, available in people.com, announced Apr. 30, 2021 [online], [site visited Nov. 15, 2021], Internet URL: <https://people.com/home/best-cordless-vacuums-dyson-alteratives-amazon/> (Year: 2021).\*

(Continued)

*Primary Examiner* — Jennifer Rivard  
*Assistant Examiner* — Jennylou M Binas  
(74) *Attorney, Agent, or Firm* — Merchant & Gould P.C.

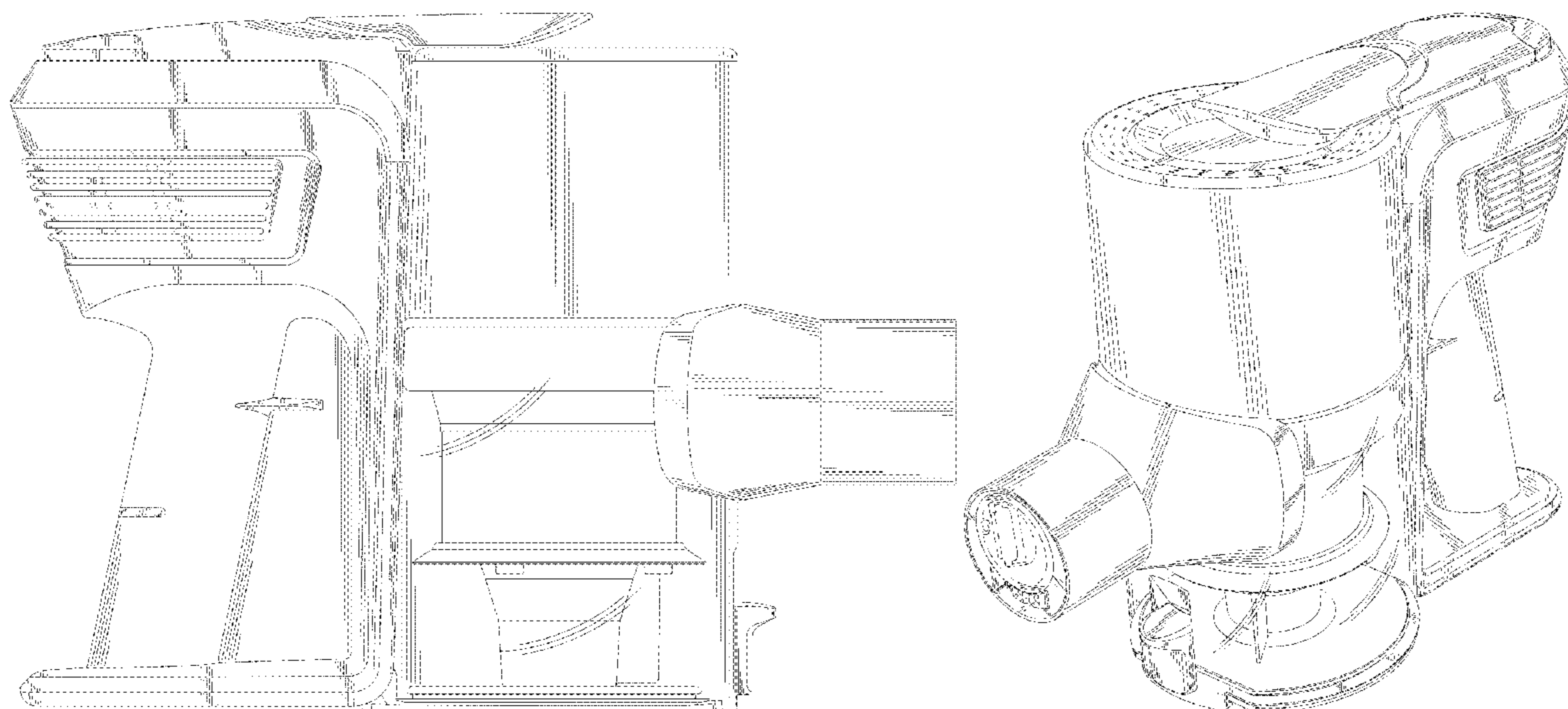
(57) **CLAIM**

The ornamental design for a handheld vacuum cleaner, as shown and described.

**DESCRIPTION**

FIG. 1 is a front elevational view of a handheld vacuum cleaner of the present application, showing our new design; FIG. 2 is a rear elevational view thereof; FIG. 3 is a left side elevational view thereof; FIG. 4 is a right side elevational view thereof; FIG. 5 is a top plan view thereof; FIG. 6 is a bottom plan view thereof; and, FIG. 7 is a top, front, right side perspective view thereof. The broken lines shown in the drawings depict portions of the handheld vacuum cleaner that form no part of the claimed design.

**1 Claim, 7 Drawing Sheets**



(56)

References Cited

OTHER PUBLICATIONS

U.S. PATENT DOCUMENTS

D800,980 S \* 10/2017 Carter ..... D32/21  
 D814,723 S \* 4/2018 Palladino ..... D32/31  
 D818,223 S \* 5/2018 Nam ..... D32/18  
 D830,017 S \* 10/2018 Nam ..... D32/22  
 D838,067 S \* 1/2019 Irfan ..... A47L 9/1666  
 D844,912 S \* 4/2019 Gammack ..... D32/18  
 D868,400 S \* 11/2019 Niedzwecki ..... D32/18  
 D879,395 S \* 3/2020 Pearce ..... D32/18  
 D887,657 S \* 6/2020 Palladino ..... D32/22  
 D902,510 S \* 11/2020 Knight Adams ..... D32/22  
 D905,360 S \* 12/2020 Ma ..... D32/22  
 D908,990 S \* 1/2021 Chen ..... D32/22  
 D912,344 S \* 3/2021 Choi ..... D32/22  
 D915,697 S \* 4/2021 Kim ..... B01D 46/0023  
 D920,609 S \* 5/2021 Ma ..... D32/21  
 D927,109 S \* 8/2021 Chei ..... D32/22  
 D932,124 S \* 9/2021 Lin ..... D32/22  
 D937,509 S \* 11/2021 Walraven ..... D32/17  
 D939,796 S \* 12/2021 Yoon ..... D32/22  
 D939,797 S \* 12/2021 Yoon ..... D32/22  
 D942,721 S \* 2/2022 Yoon ..... D32/22  
 D943,851 S \* 2/2022 Zhang ..... D32/23  
 D945,094 S \* 3/2022 Jeon ..... D32/18

FOREIGN PATENT DOCUMENTS

JP D1668849 \* 9/2020  
 KR 3010830560001 \* 11/2020  
 KR 3010830560002 \* 11/2020  
 RU 00122576 \* 11/2020

Top 10 Cordless Vacuums 2021, available in buyersguide.org, announced Nov. 2021 [online], [site visited Nov. 15, 2021], Internet URL: <https://buyersguide.org/vacuums/t/cordless?> (Year: 2021).\*

Womow Cordless Vacuum Cleaner, available in Amazon.com.au, date first available Aug. 16, 2019 [online], [site visited Nov. 15, 2021], Available from the internet URL: [https://www.amazon.com.au/Womow-Cordless-Powerful-Handheld-W20/dp/B07WQFHCFM/ref=sr\\_1\\_1?](https://www.amazon.com.au/Womow-Cordless-Powerful-Handheld-W20/dp/B07WQFHCFM/ref=sr_1_1?) (Year: 2019).\*

Dyson V11 Torque Drive vs Tineco Pure One S12, announced in YouTube on Jun. 14, 2019 [online], [site visited Apr. 2, 2021], Available from the internet URL: <https://www.youtube.com/watch?v=r99cgnjghFw> (Year: 2019).\*

Jashen V12 Cordless Stick Vacuum Cleaner (Review), announced in YouTube on Apr. 17, 2019 [online], [site visited Apr. 2, 2021], Available from the internet URL: <https://www.youtube.com/watch?v=fg-Nf3Pr3fg> (Year: 2019).\*

Mizili Cordless Vacuum Cleaner, available in Amazon.com, date first available Jun. 1, 2020 [online], [site visited Apr. 2, 2021], Available from the internet URL: [https://www.amazon.co.uk/Muzili-Cordless-Efficient-Filtration-Lightweight/dp/B089K7P8LH/ref=pd\\_di\\_sccai\\_6?](https://www.amazon.co.uk/Muzili-Cordless-Efficient-Filtration-Lightweight/dp/B089K7P8LH/ref=pd_di_sccai_6?) (Year: 2020).\*

\* cited by examiner

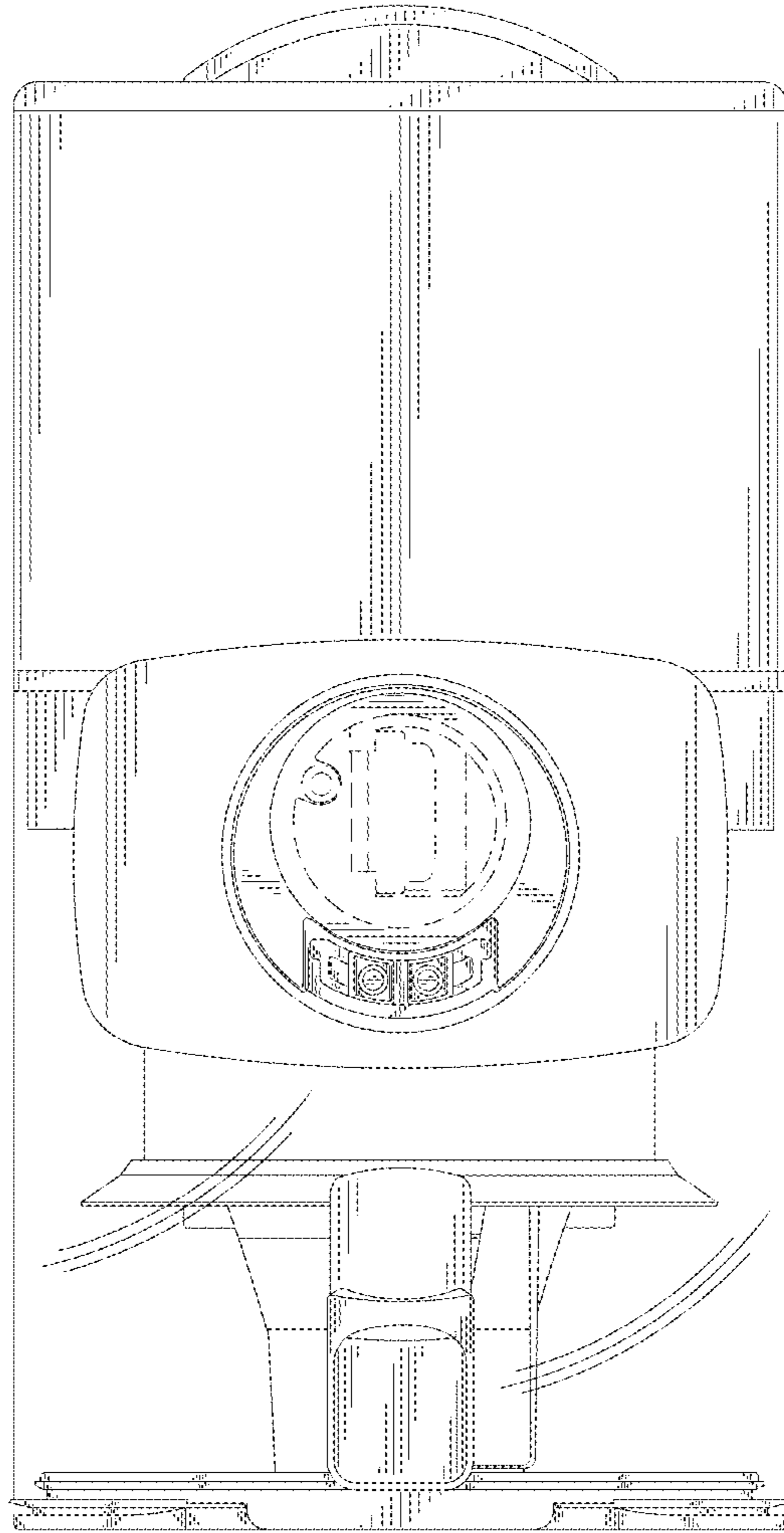


FIG. 1



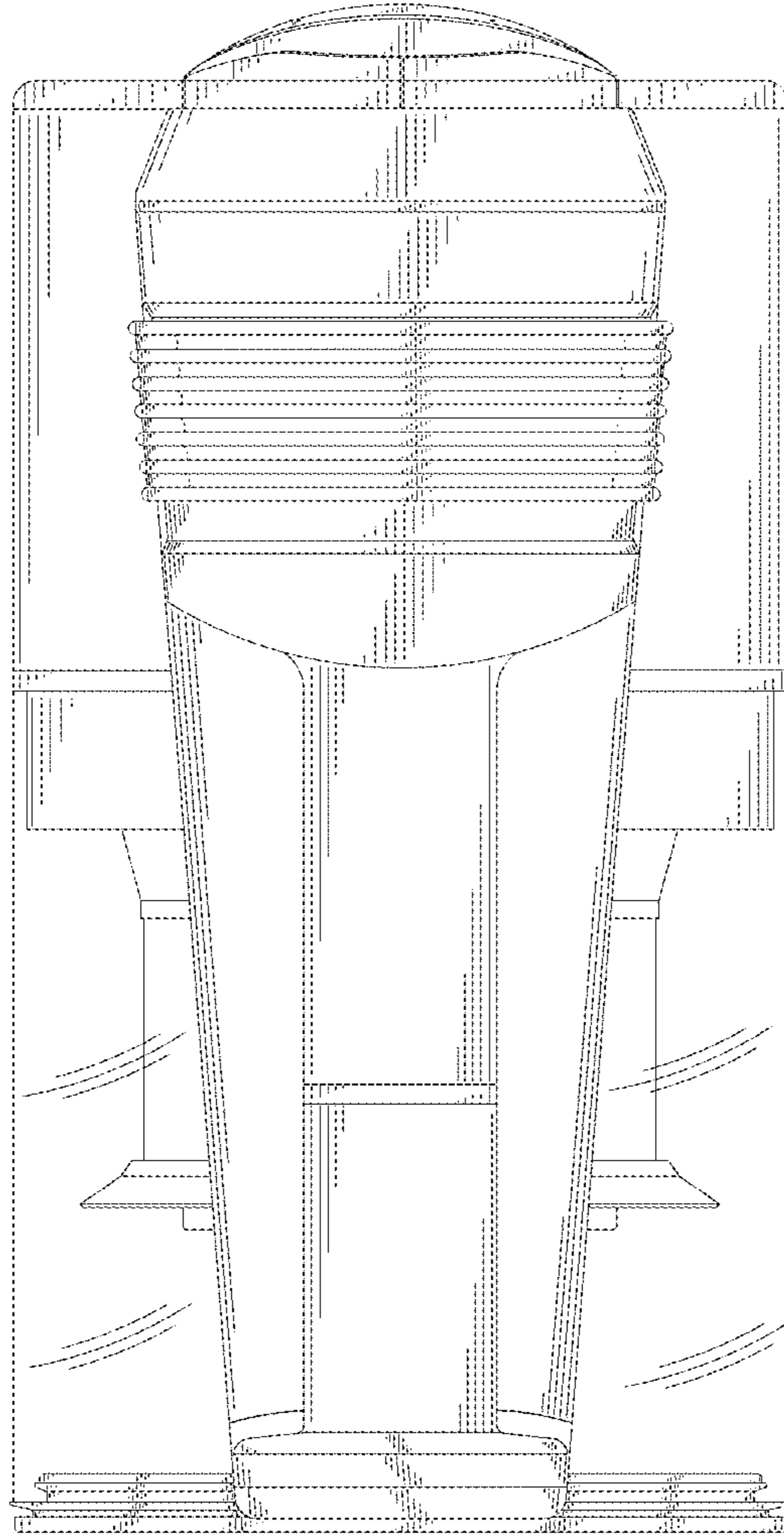


FIG. 2

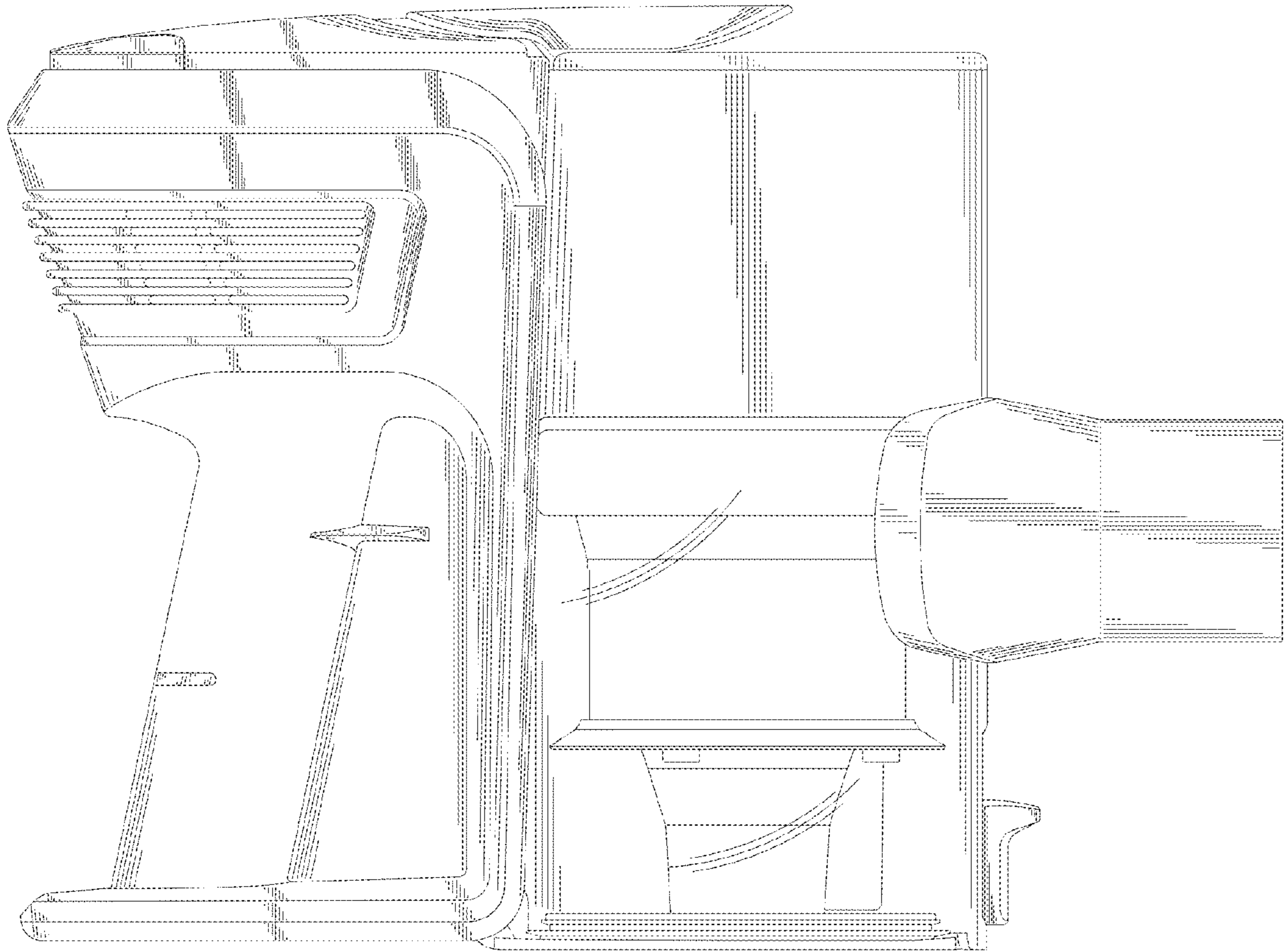


FIG. 3

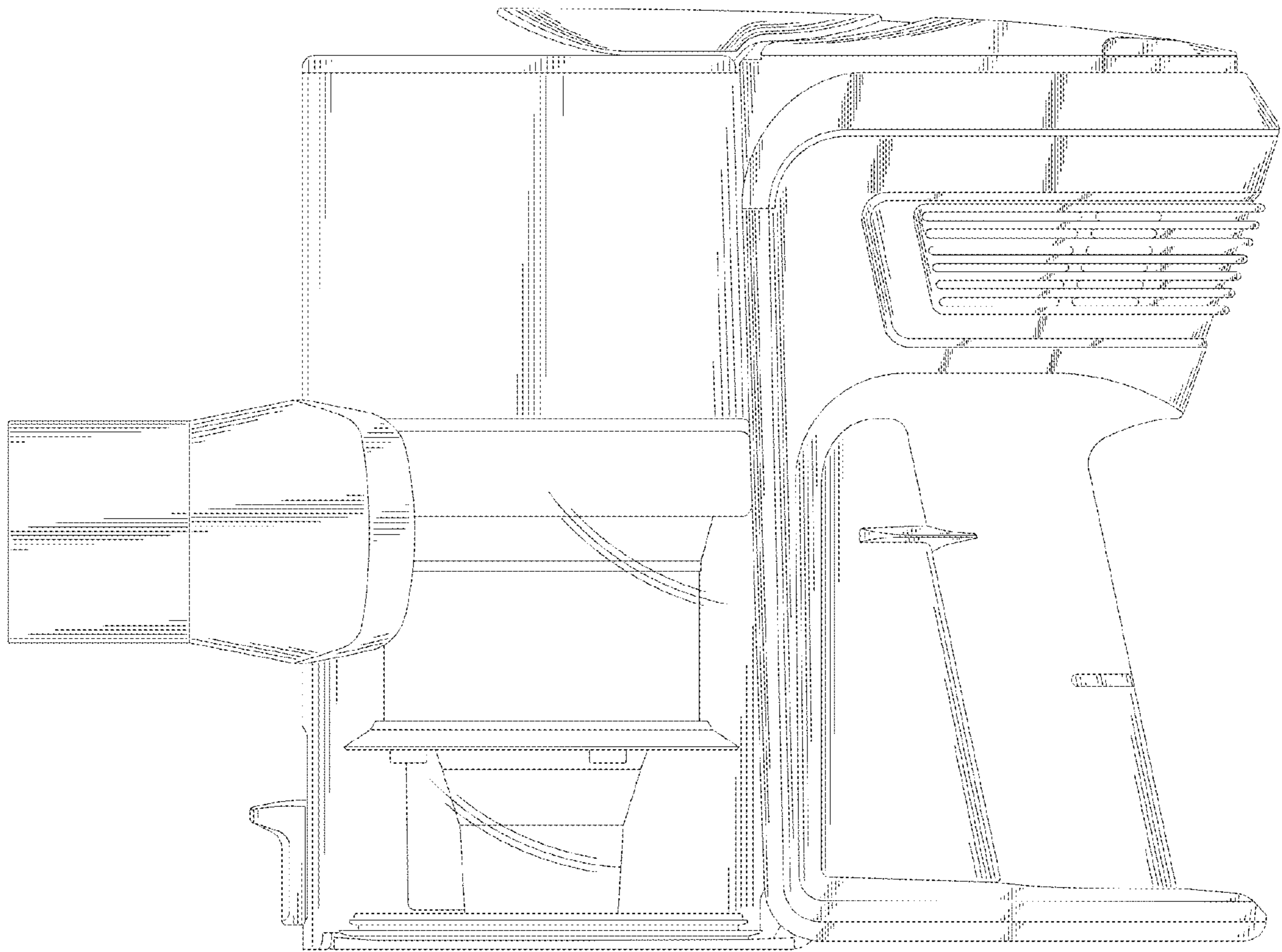


FIG. 4

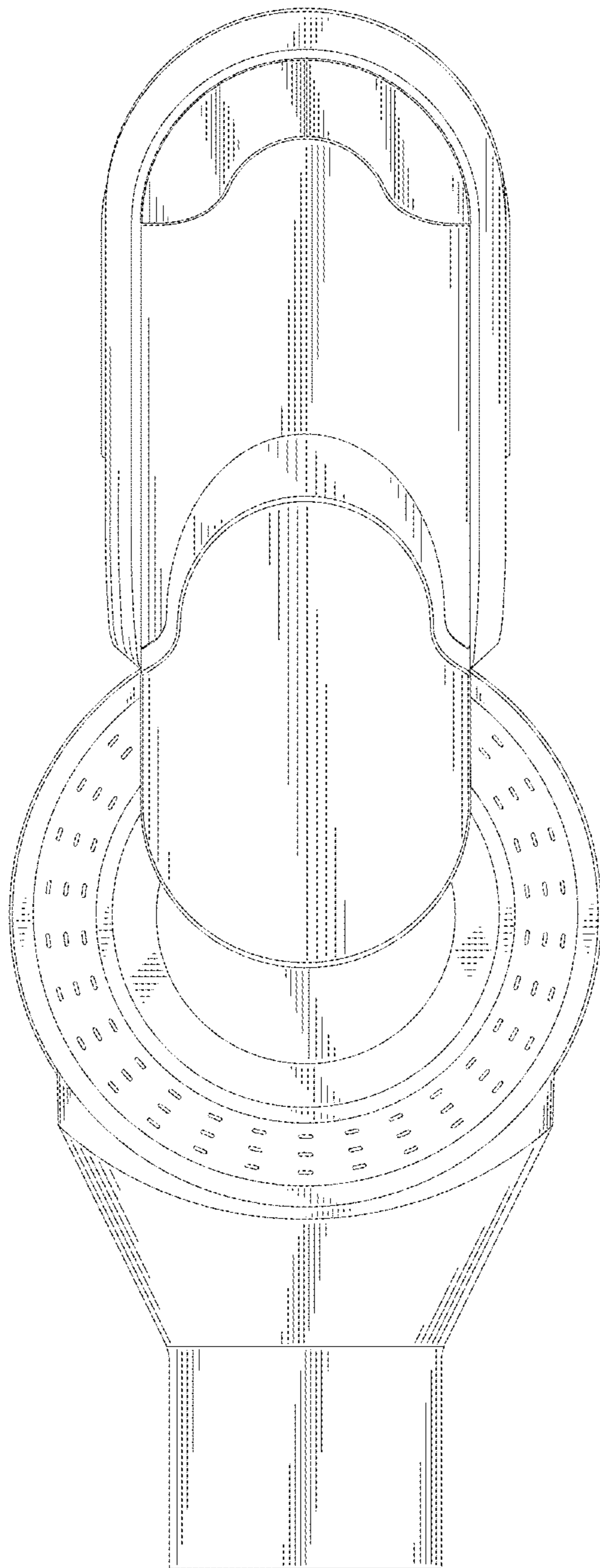


FIG. 5

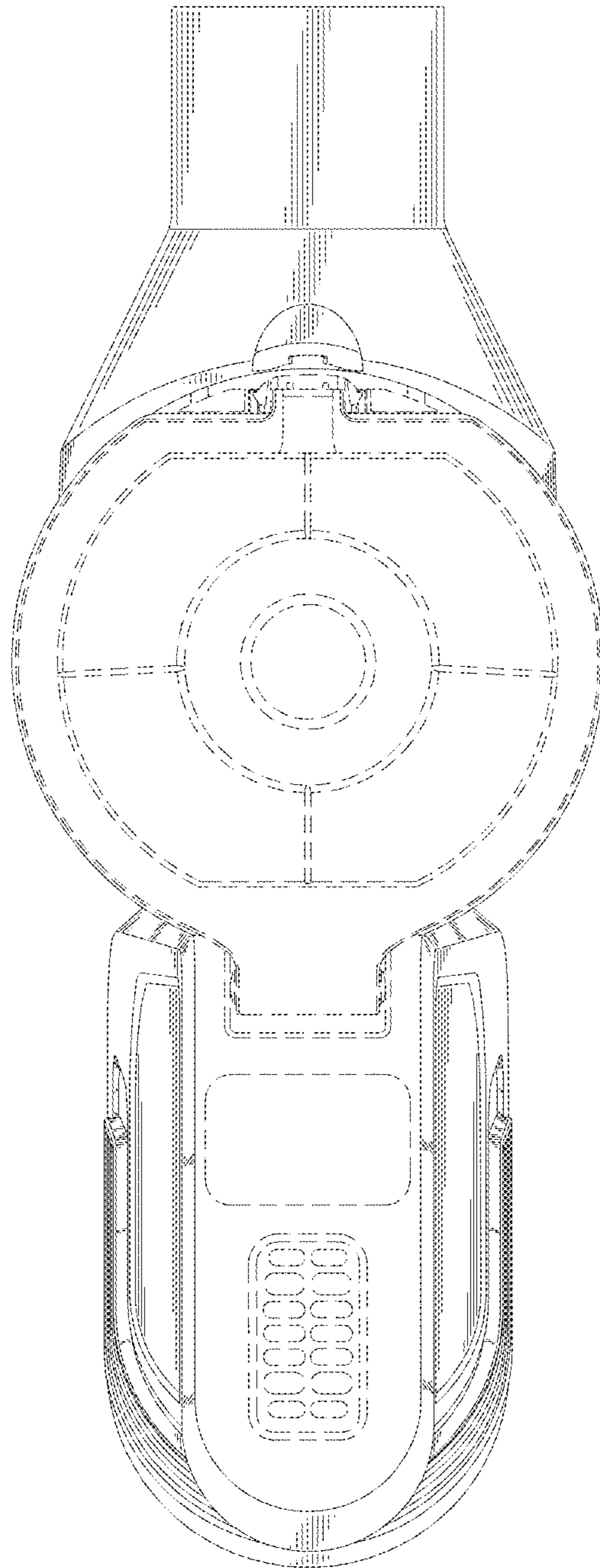


FIG.6



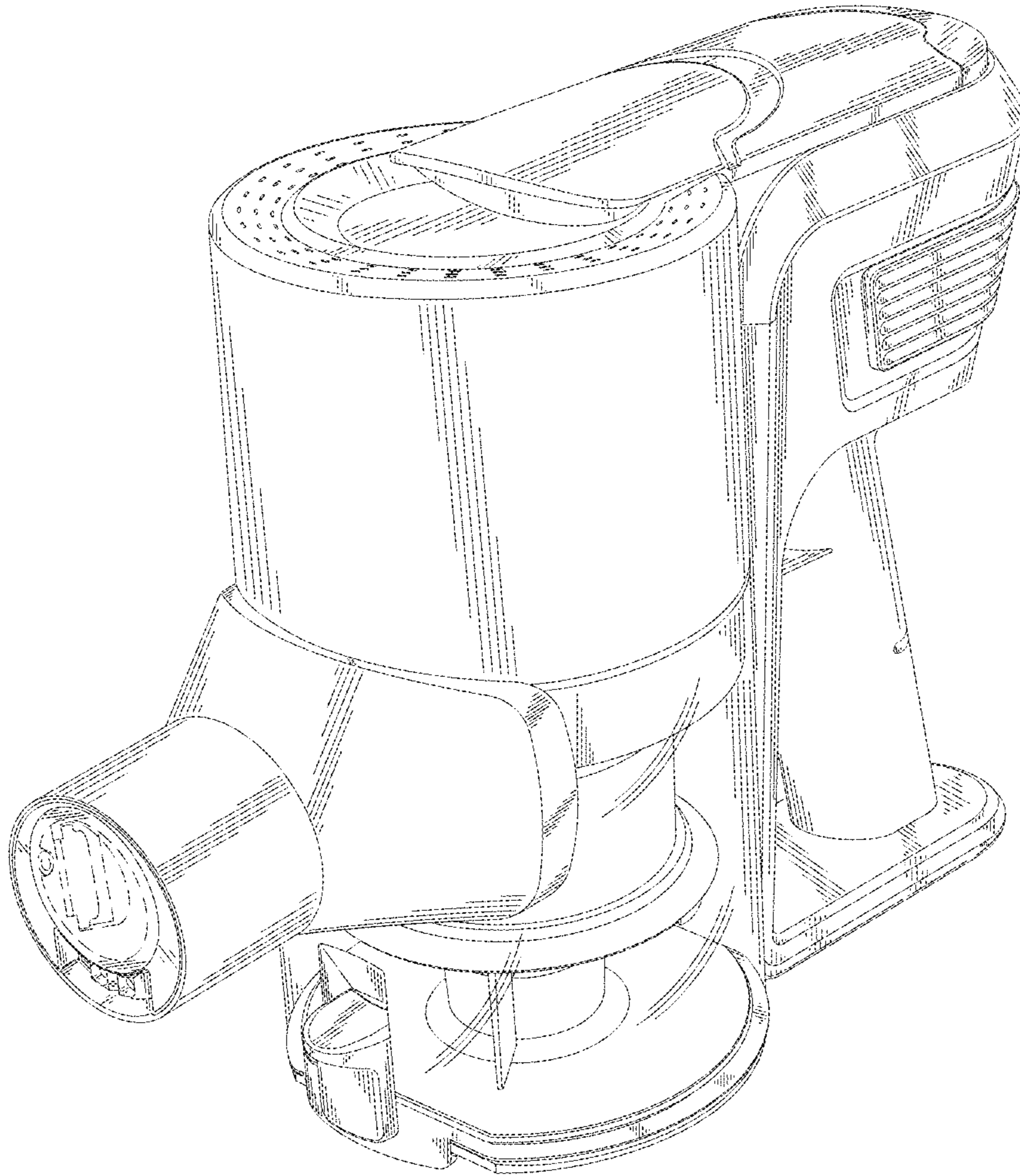


FIG. 7