



US00D976503S

(12) **United States Design Patent**
Jia

(10) **Patent No.:** **US D976,503 S**
(45) **Date of Patent:** **** Jan. 24, 2023**

(54) **WIRELESS ANIMAL TRAINING TRANSMITTER**
(71) Applicant: **Shenzhen Smart Pet Technology Co., Ltd, Guangdong (CN)**
(72) Inventor: **Yaya Jia, Guangdong (CN)**
(**) Term: **15 Years**

D879,390 S * 3/2020 Cai D10/104.1
D880,442 S * 4/2020 Wang D14/137
D889,758 S 7/2020 Van Curen et al.
D891,385 S * 7/2020 Zhang D14/137
D904,214 S * 12/2020 Zinn D10/104.1
D930,294 S 9/2021 Jia
D946,218 S * 3/2022 Xiao D10/104.1
D951,891 S * 5/2022 Wang D14/137
D955,670 S * 6/2022 Tan D10/104.1

(Continued)

(21) Appl. No.: **29/857,652**
(22) Filed: **Oct. 25, 2022**
(51) **LOC (14) Cl.** **30-99**
(52) **U.S. Cl.**
USPC **D30/199; D10/104.1**
(58) **Field of Classification Search**
USPC D30/199, 144, 145, 151, 152, 153, 154, D30/155, 156, 160; D3/207, 208, 215, D3/218, 221, 228, 254; D10/104.1, D10/104.2; D13/168; D14/137, 159, 218
CPC .. A01K 15/021; A01K 15/022; A01K 27/001; A01K 27/009
See application file for complete search history.

FOREIGN PATENT DOCUMENTS

CN 201630065084.7 * 8/2016

OTHER PUBLICATIONS

SportDOG Brand SportTrainer Remote Trainers, dated to Aug. 15, 2018, amazon.com [online]. Retrieved Nov. 19, 2022 from internet <URL:https://www.amazon.com/dp/B07DZBWZTP/> (Year: 2018).*

Primary Examiner — Andrew T Nemeth
(74) *Attorney, Agent, or Firm* — Kevin P. Chen

(57) **CLAIM**

The ornamental design for a wireless animal training transmitter, as shown and described.

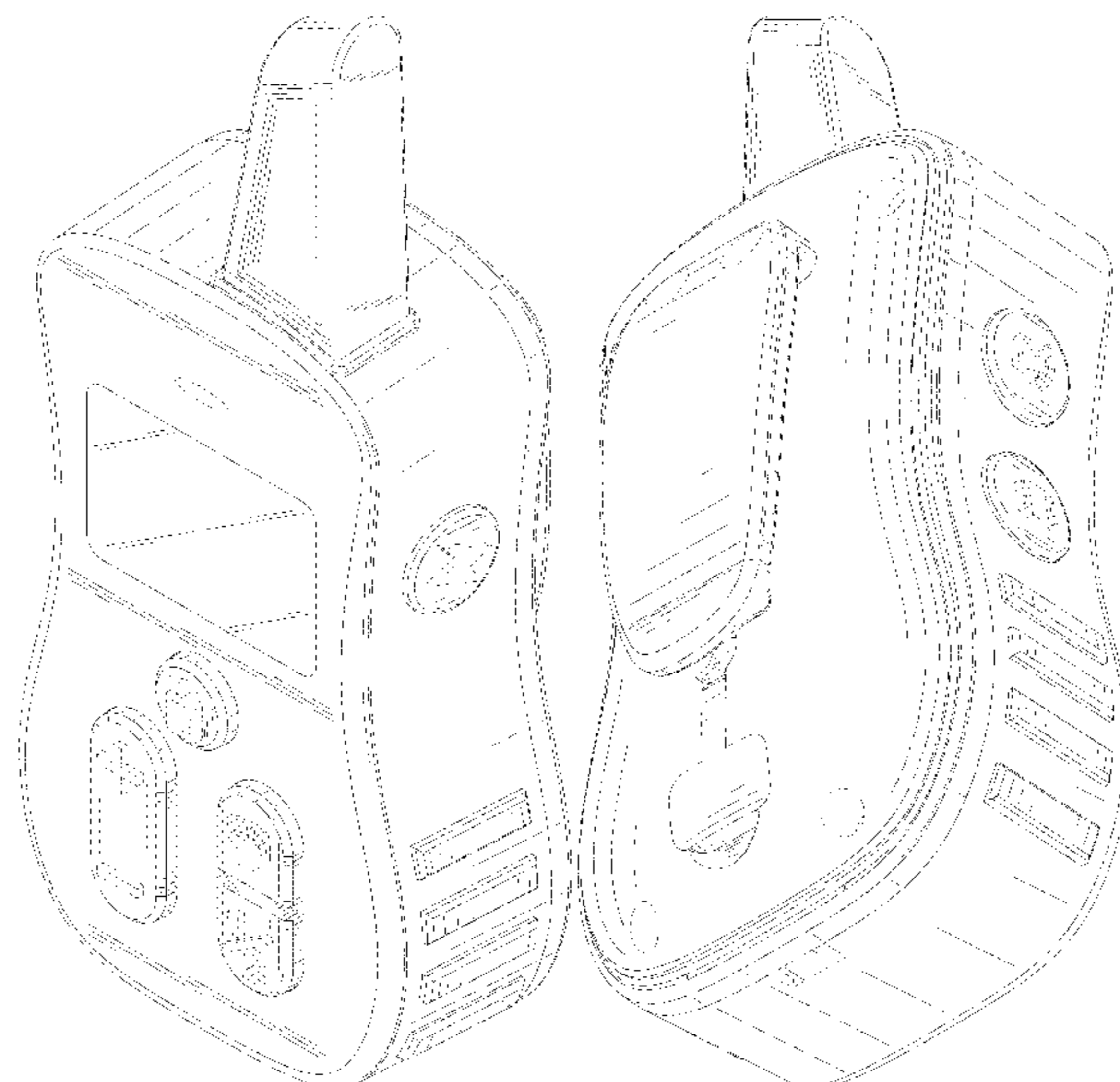
DESCRIPTION

FIG. 1 is a perspective view of a wireless animal training transmitter showing my new design; FIG. 2 is another perspective view thereof; FIG. 3 is a front elevational view thereof; FIG. 4 is a rear elevational view thereof; FIG. 5 is a left side elevational view thereof; FIG. 6 is a right side elevational view thereof; FIG. 7 is a top plan view thereof; and, FIG. 8 is a bottom plan view thereof. The dash-dash broken lines in the drawings depict portions of the wireless animal training transmitter that form no part of the claimed design.

1 Claim, 8 Drawing Sheets

(56) **References Cited**
U.S. PATENT DOCUMENTS

D446,195 S * 8/2001 Chamberlain D14/137
D452,684 S * 1/2002 Sedan D14/137
D487,898 S * 3/2004 Cobigo D10/104.1
D491,150 S * 6/2004 Shen D13/168
D523,768 S 6/2006 Kaufman et al.
D535,902 S 1/2007 Kaufman et al.
D545,790 S * 7/2007 Jameson D10/104.1
D545,791 S * 7/2007 Jameson D10/104.1
D573,564 S * 7/2008 Goetzl D10/104.1
D615,438 S * 5/2010 Goetzl D14/137
D721,861 S * 1/2015 Guo D10/104.1
D736,486 S * 8/2015 Goetzl D30/199
D737,004 S * 8/2015 Russell D30/199
D759,908 S * 6/2016 Russell D30/199
D815,372 S * 4/2018 Goetzl D10/104.1
D862,812 S * 10/2019 Jia D10/104.1



(56)

References Cited

U.S. PATENT DOCUMENTS

D969,095 S * 11/2022 Zhang D14/137
2013/0141237 A1* 6/2013 Goetzl A01K 15/021
340/539.13
2022/0256812 A1* 8/2022 Huber A61B 5/02438

* cited by examiner

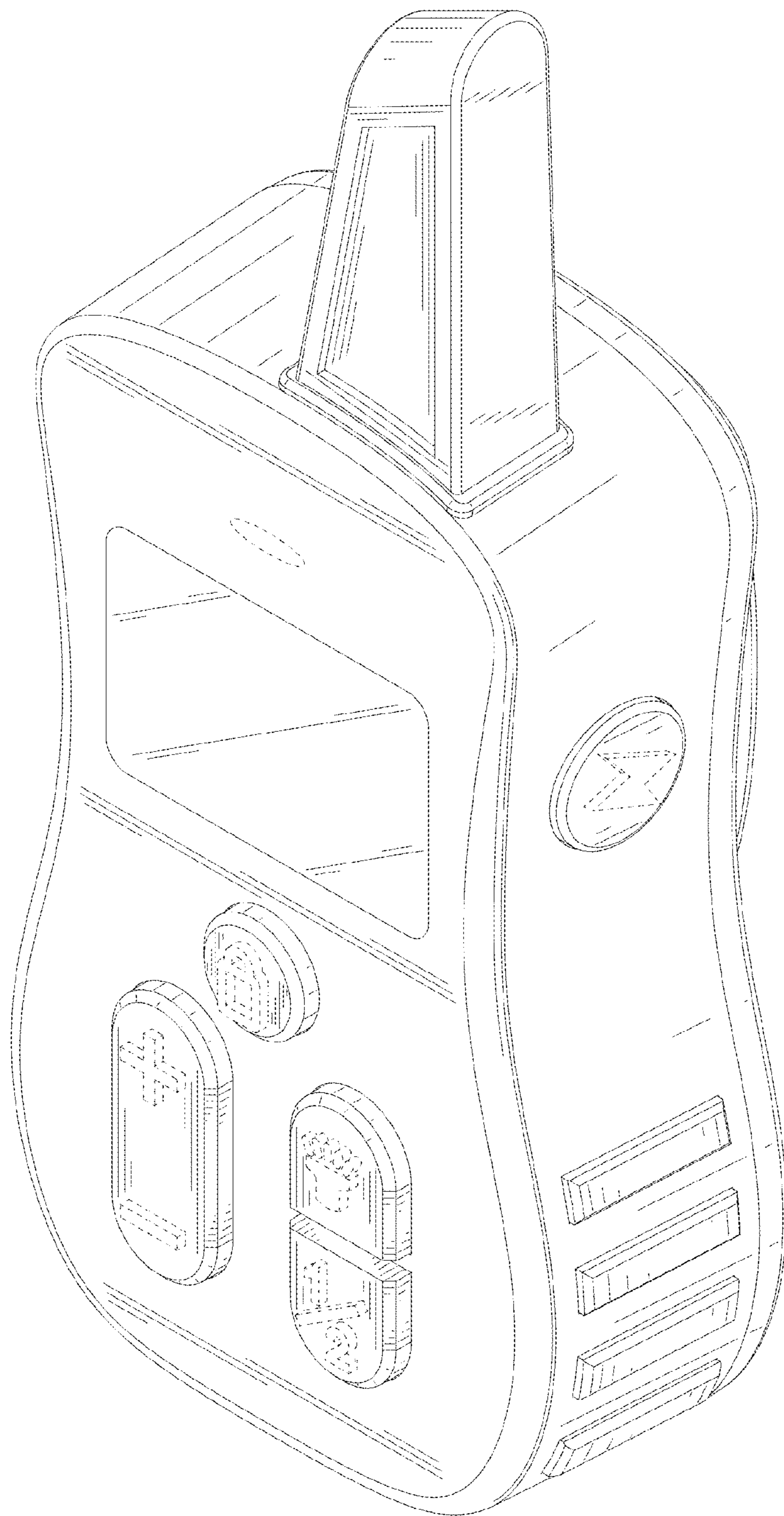


FIG. 1

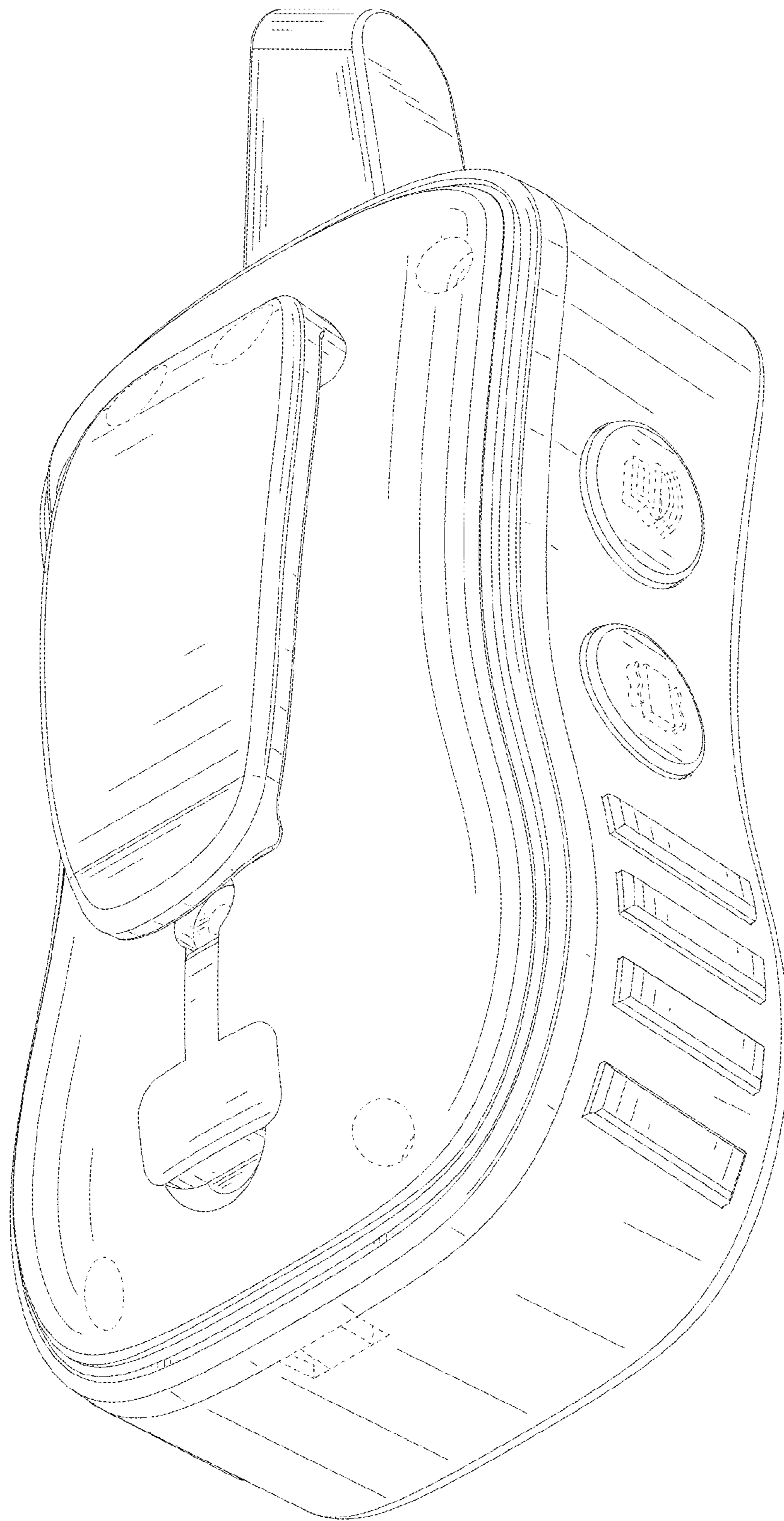


FIG. 2

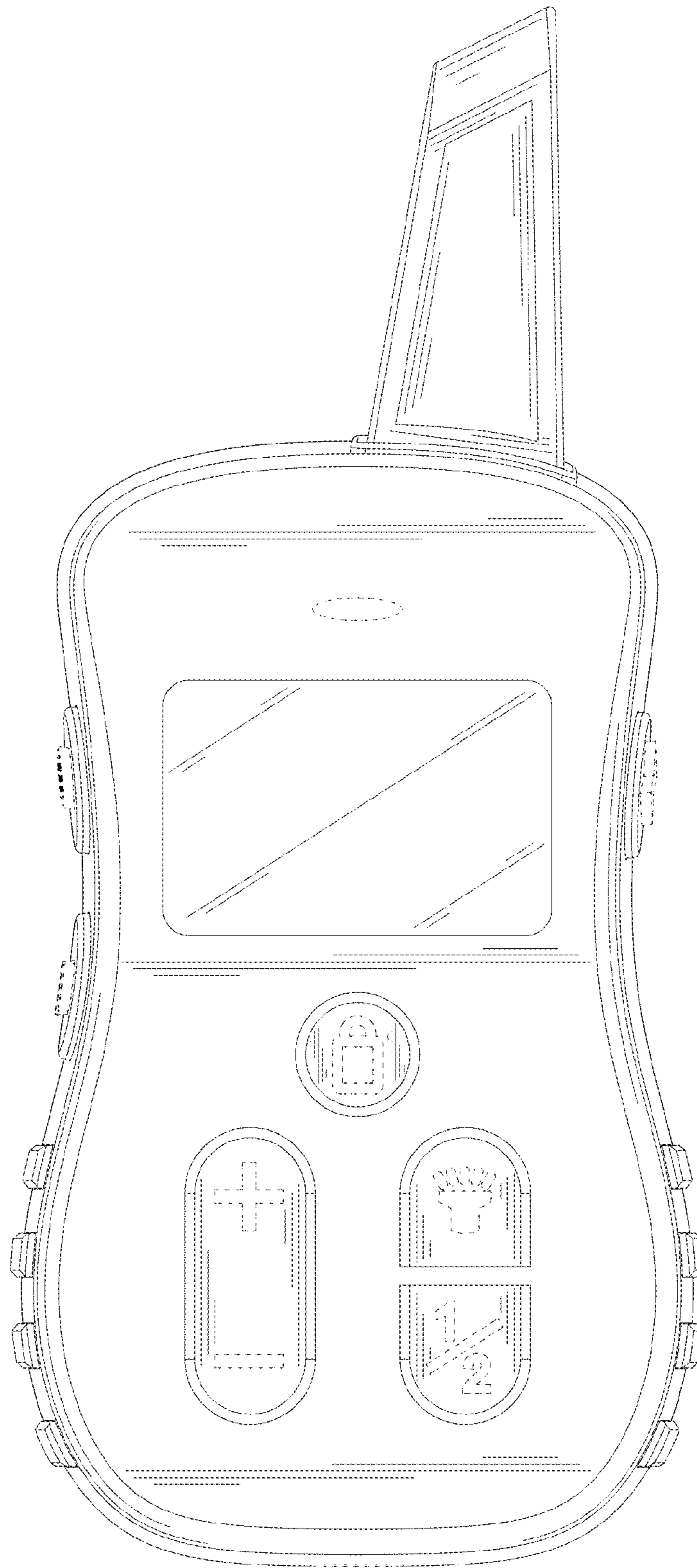


FIG. 3

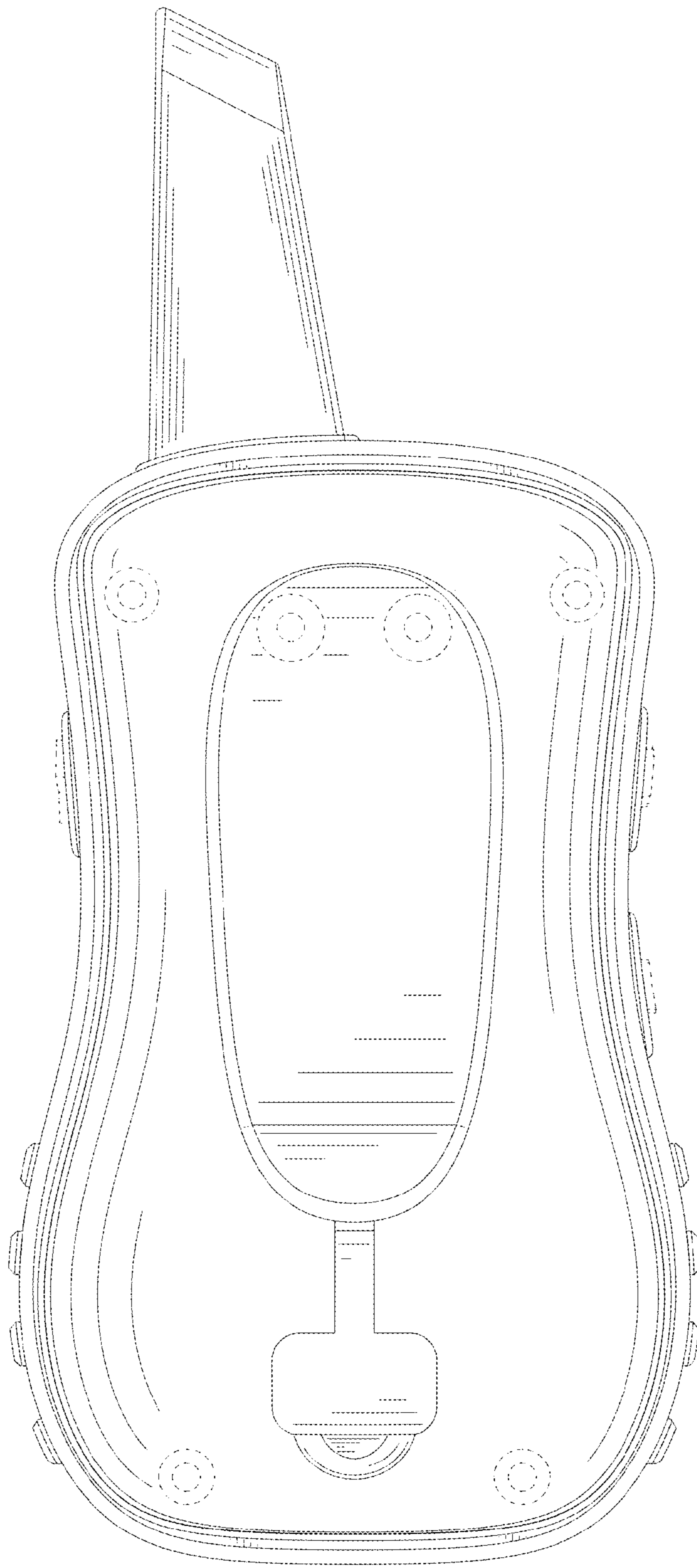


FIG. 4

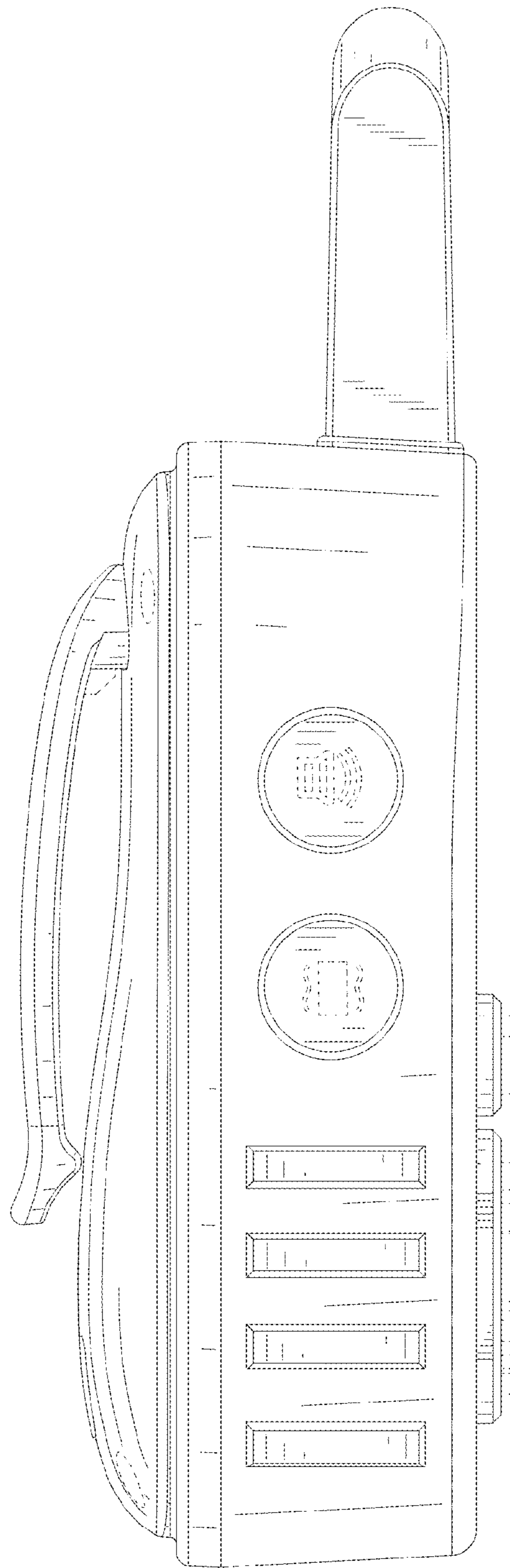


FIG. 5

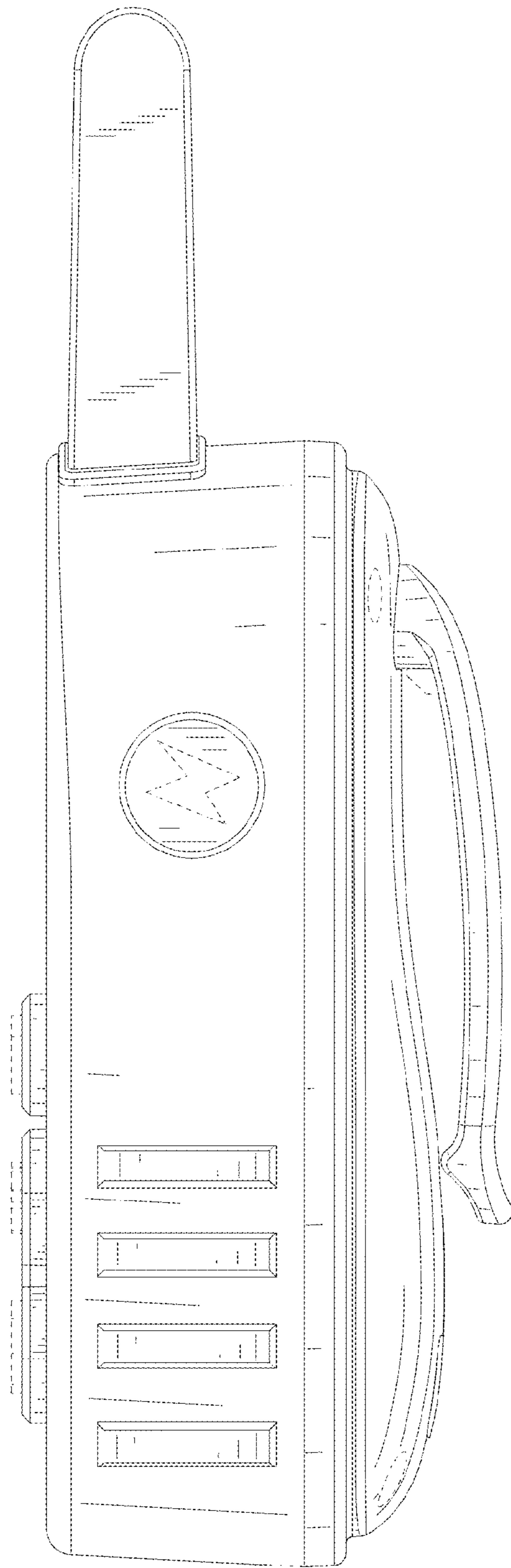


FIG. 6

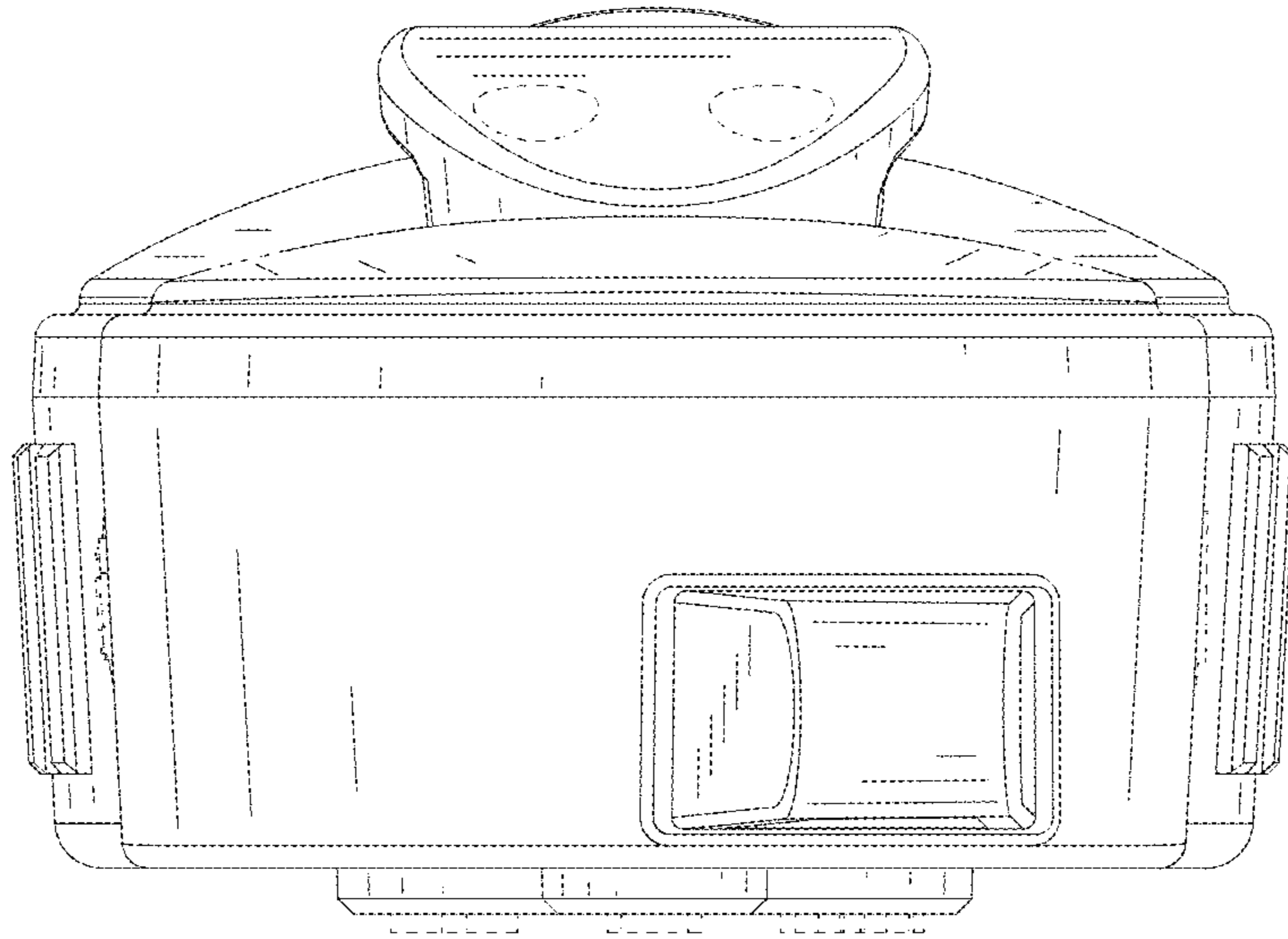


FIG. 7

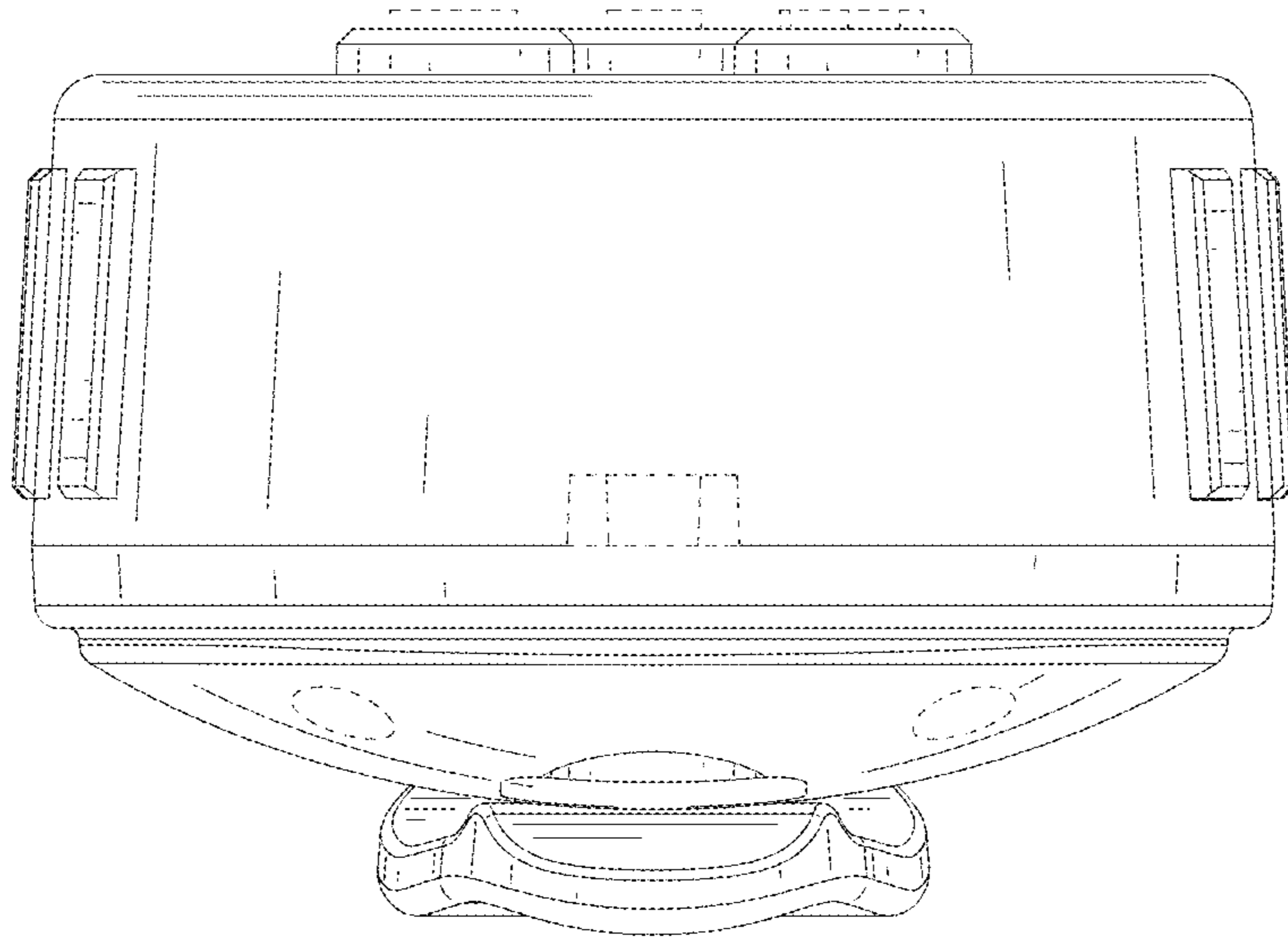


FIG. 8