



US00D976499S

(12) **United States Design Patent**
Barea et al.

(10) **Patent No.: US D976,499 S**
(45) **Date of Patent: ** Jan. 24, 2023**

(54) STIRRUP	3,910,015 A * 10/1975 Ebejer	B68C 3/02 D30/142
(71) Applicant: Tenuta Montemagno Horses S.r.l. , Milan (IT)	4,587,798 A * 5/1986 Taylor	B68C 3/02 54/49
(72) Inventors: Tiziano Barea , Busto Arsizio (IT); Vanessa Maria Barea , Busto Arsizio (IT)	D383,572 S * 9/1997 Rea	D30/142
	D411,667 S * 6/1999 Martin	D30/142
	D415,594 S * 10/1999 Bostock	D30/142
	D791,415 S * 7/2017 Morgante	D30/142
	D866,090 S * 11/2019 Lee	D30/142
	D905,914 S * 12/2020 Barea	D30/142
(73) Assignee: Tenuta Montemagno Horses S.r.l. , Milan (IT)	2003/0145564 A1 * 8/2003 Chang	B68C 3/00 54/48
	2018/0194612 A1 * 7/2018 Godoy	B68C 3/00

(**) Term: **15 Years**

(21) Appl. No.: **35/511,995**

(22) Filed: **May 24, 2021**

(80) **Hague Agreement Data**

Int. Filing Date: **May 24, 2021**
Int. Reg. No.: **DM/214546**
Int. Reg. Date: **May 24, 2021**
Int. Reg. Pub. Date: **Jun. 11, 2021**

(51) **LOC (14) Cl.** **30-04**

(52) **U.S. Cl.**
USPC **D30/142**

(58) **Field of Classification Search**
USPC D30/134, 135, 138, 142, 146
CPC B68C 3/00; B68C 2003/0058; B68C
2003/0083
See application file for complete search history.

(56) **References Cited**

U.S. PATENT DOCUMENTS

1,025,824 A *	5/1912 Meyers	B68C 3/02 54/49
1,074,481 A *	9/1913 Ward	B68C 3/0016 54/49
1,639,073 A *	8/1927 Berbaum	B68C 3/00 54/47

OTHER PUBLICATIONS

“Safe Riding: S-Light Stirrup”. Found online Jun. 2, 2022 at youtube.com. Reference dated Apr. 1, 2021. Retrieved from https://www.youtube.com/watch?v=xTs5hGWbEA8.*

(Continued)

Primary Examiner — Kendra Leslie Hamilton
(74) *Attorney, Agent, or Firm* — Ferguson Case Orr Paterson

(57) **CLAIM**

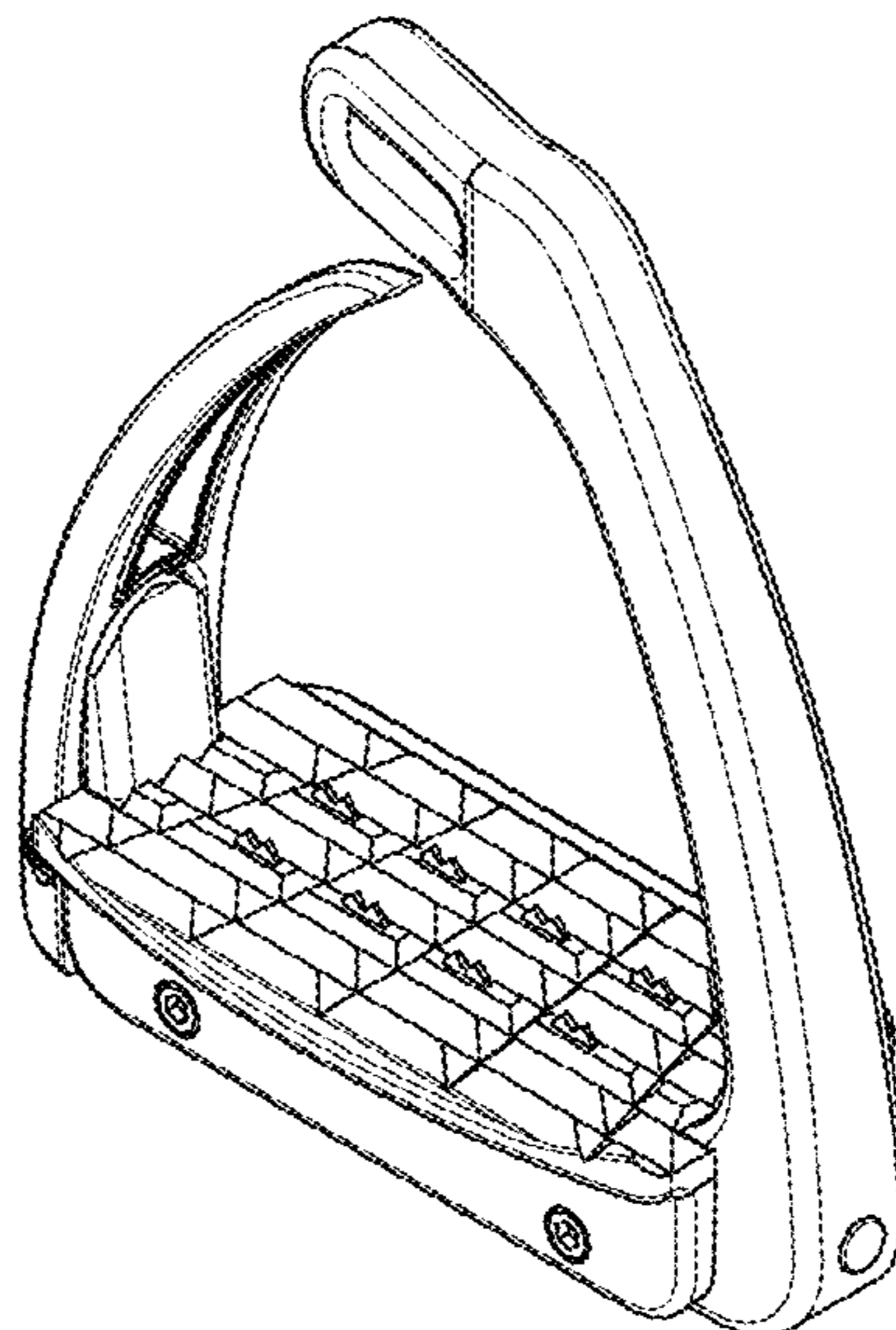
The ornamental design for a stirrup, as shown and described.

DESCRIPTION

- 1. Stirrup
- 1.1 : Perspective
- 1.2 : Right
- 1.3 : Left
- 1.4 : Front
- 1.5 : Back
- 1.6 : Top
- 1.7 : Bottom

The equal-length broken lines in the reproductions depict portions of the stirrup that form no part of the claimed design.

1 Claim, 7 Drawing Sheets



(56)

References Cited

OTHER PUBLICATIONS

“Jin Air: Safety Stirrup”. Found online Jun. 2, 2022 at tackroomonline.com. Reference dated Sep. 13, 2018. Retrieved from <https://www.tackroomonline.com/jin-air-safety-stirrup-irons-jsair.html?>*

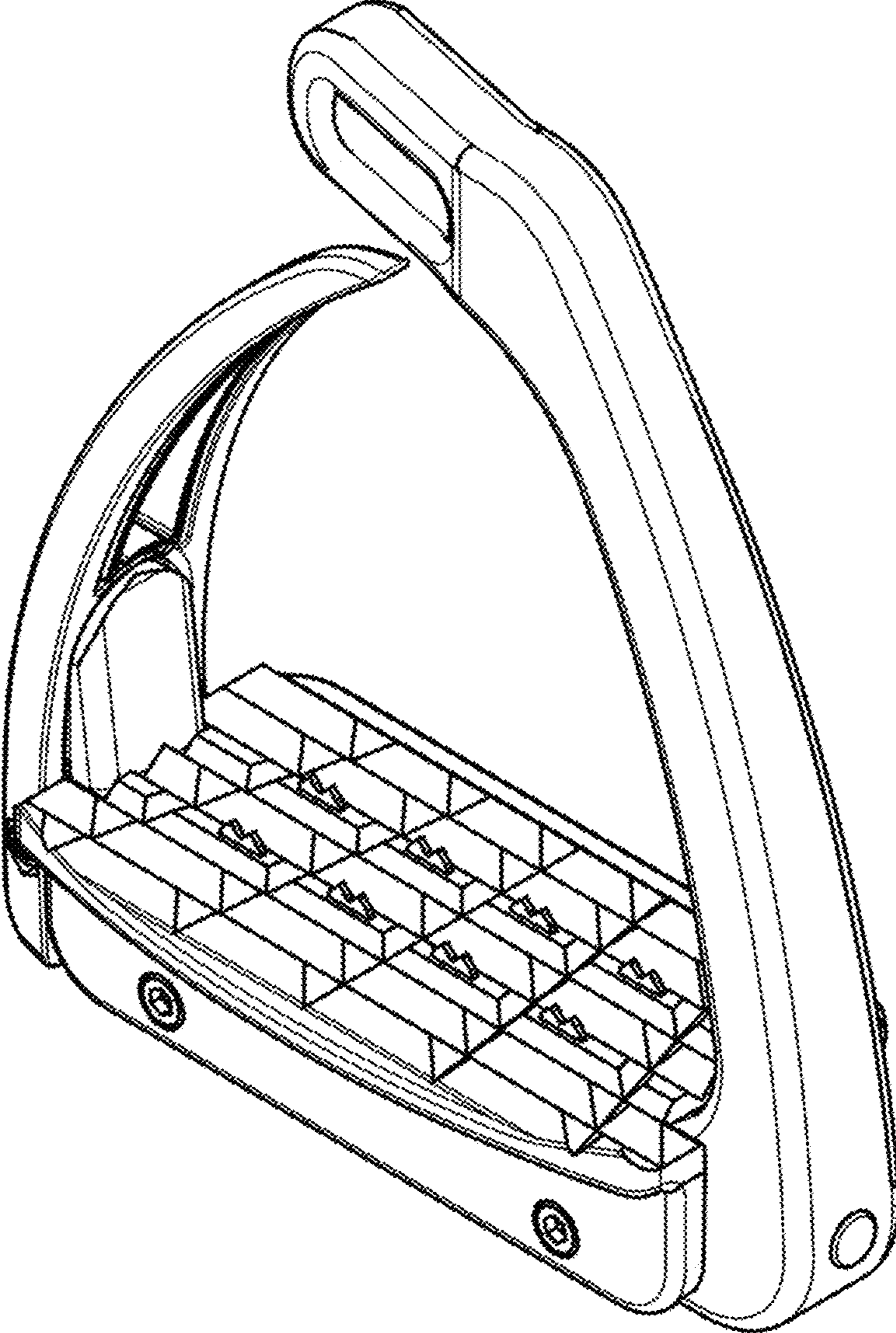
“Tech Venice: Safety Stirrup”. Found online May 3, 2019 at classicdressage.com. Reference dated Jun. 2, 2017. Retrieved from https://tineye.com/search/5d49d96ad891082f78c0924f452ab0ecb64b223d?sort=crawl_date&page=1&extension_ver=chrome-1.3.0&order=asc*

“Flex-On: Shock Absorber Stirrup”. Found online Jun. 2, 2022 at tacknirder.com. Reference dated Jun. 22, 2015. Retrieved from <https://www.tacknirder.com/shock-absorber-stirrups-irons/>*

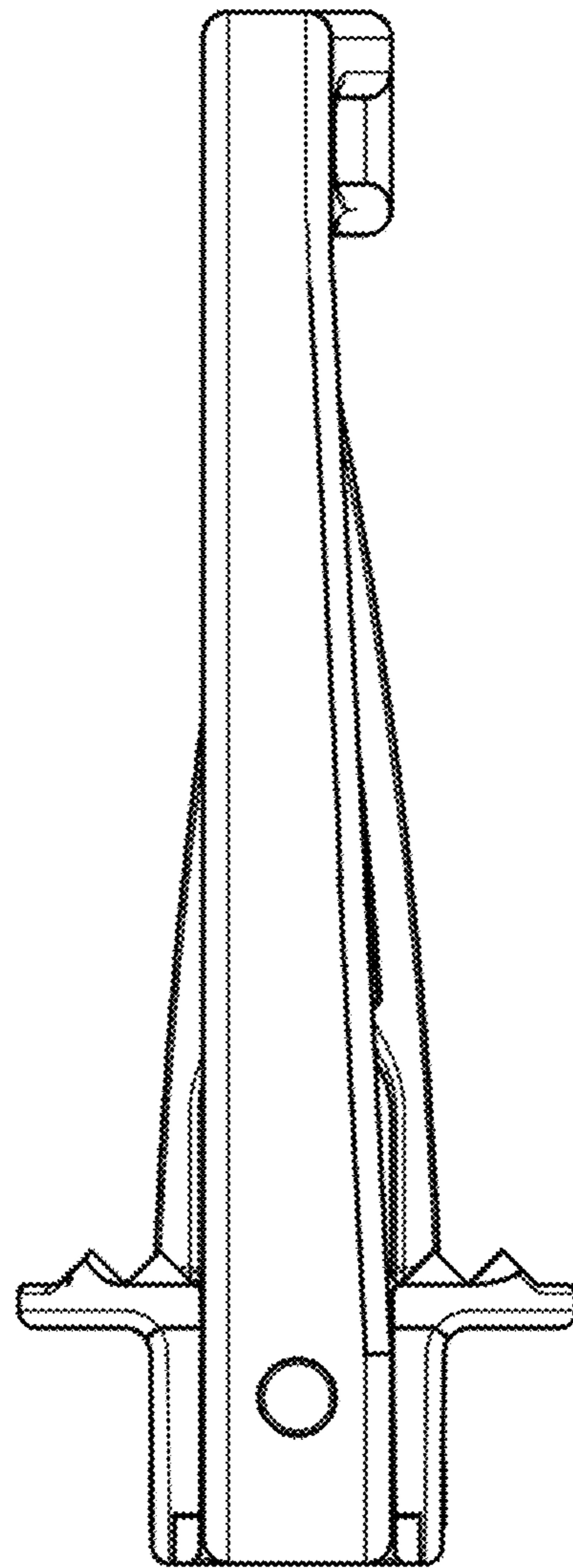
“Flex-On: Shock Absorber Stirrup”. Found online Jun. 2, 2022 at tacknirder.com. Reference dated Jun. 22, 2015. Retrieved from <https://www.tacknirder.com/shock-absorber-stirrups-irons/>*

* cited by examiner

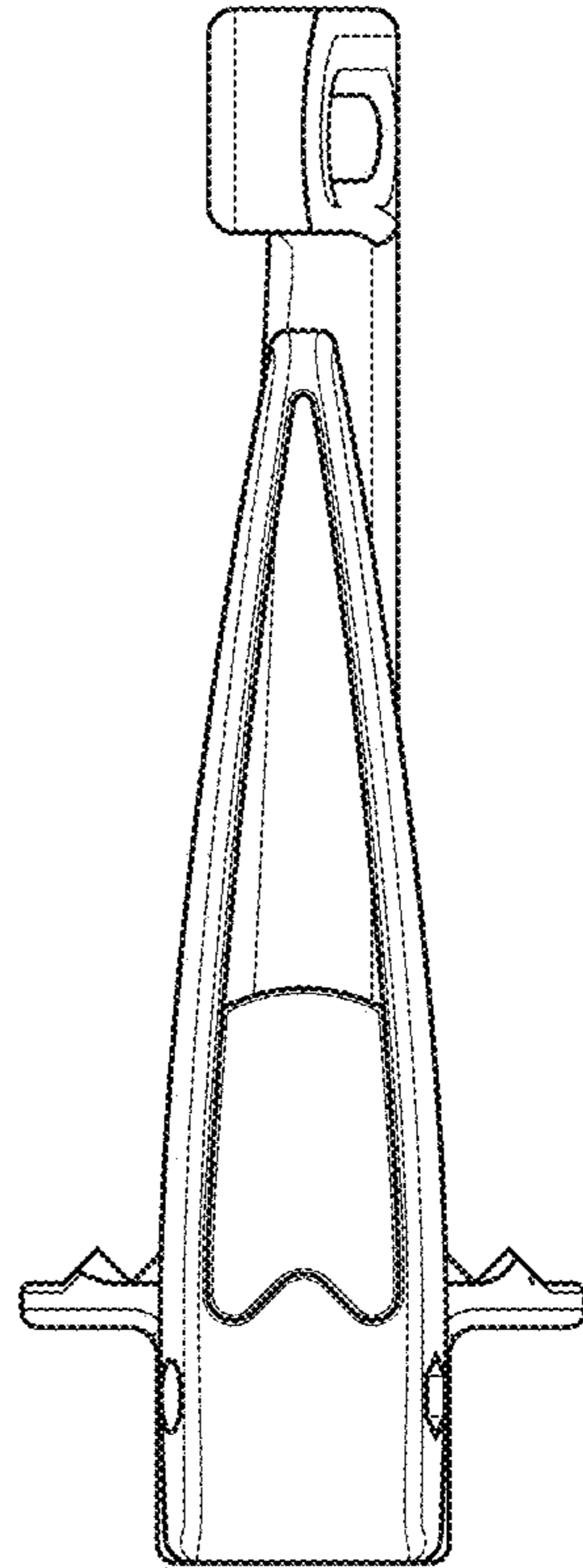
1.1



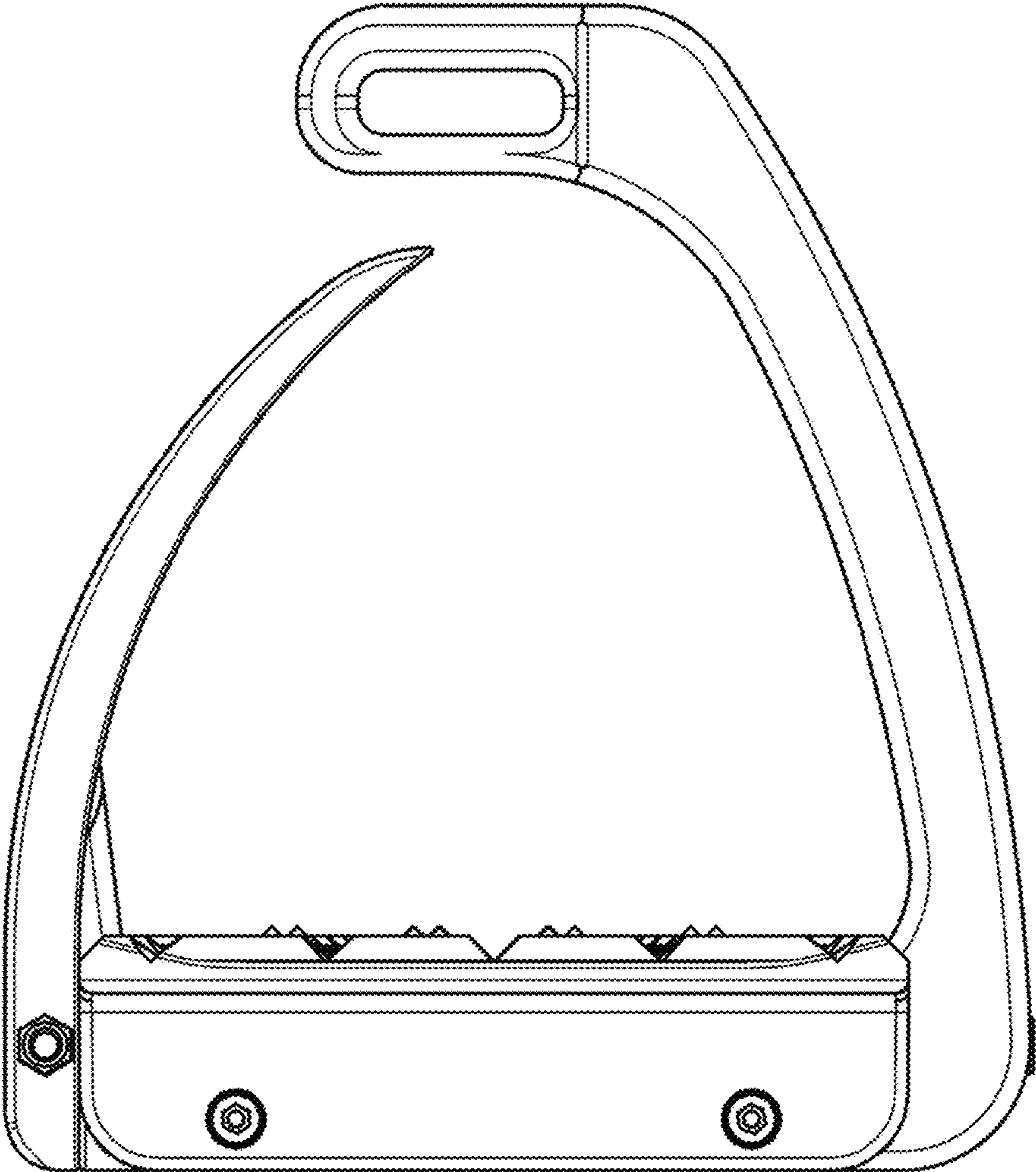
1.2



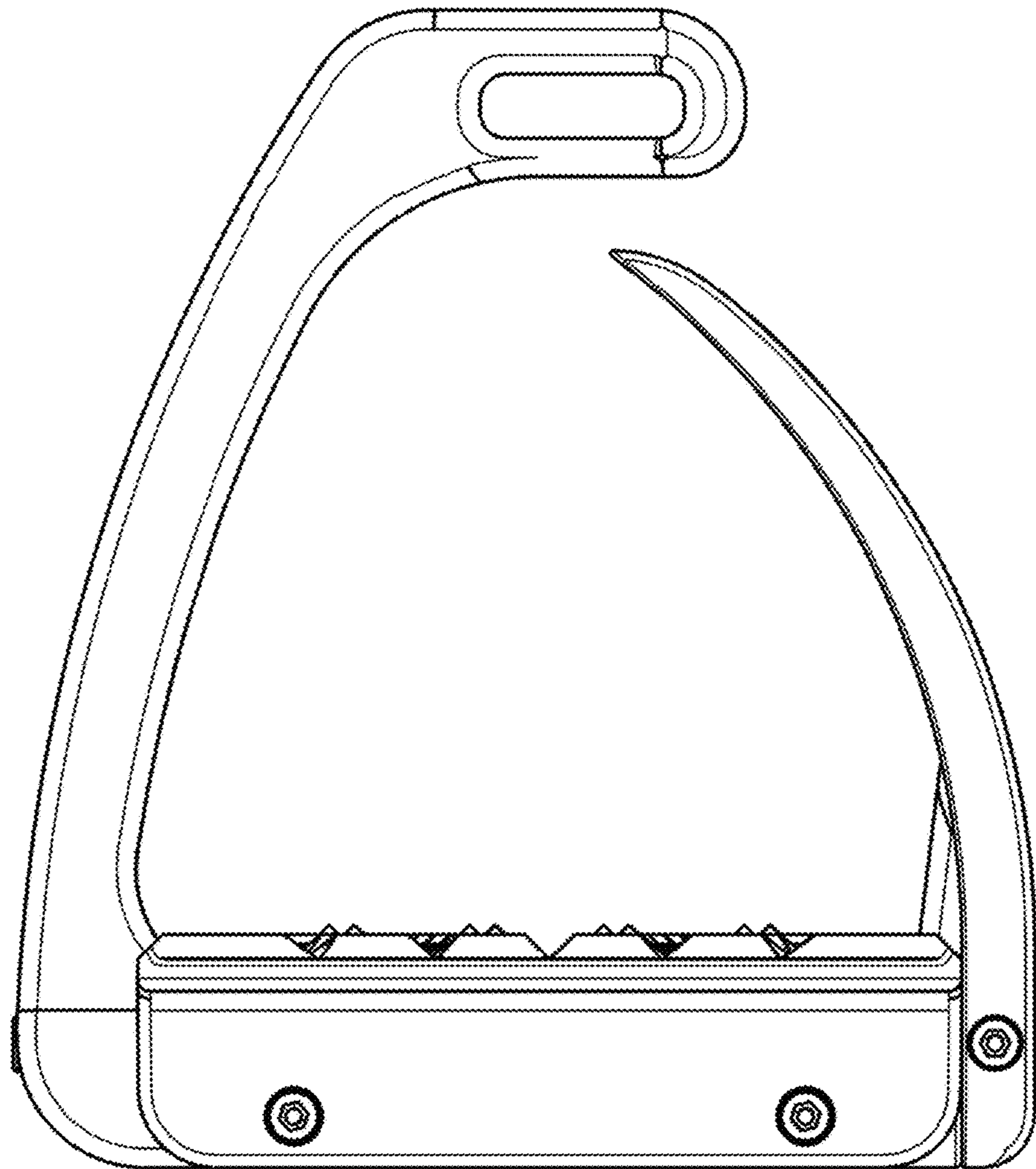
1.3



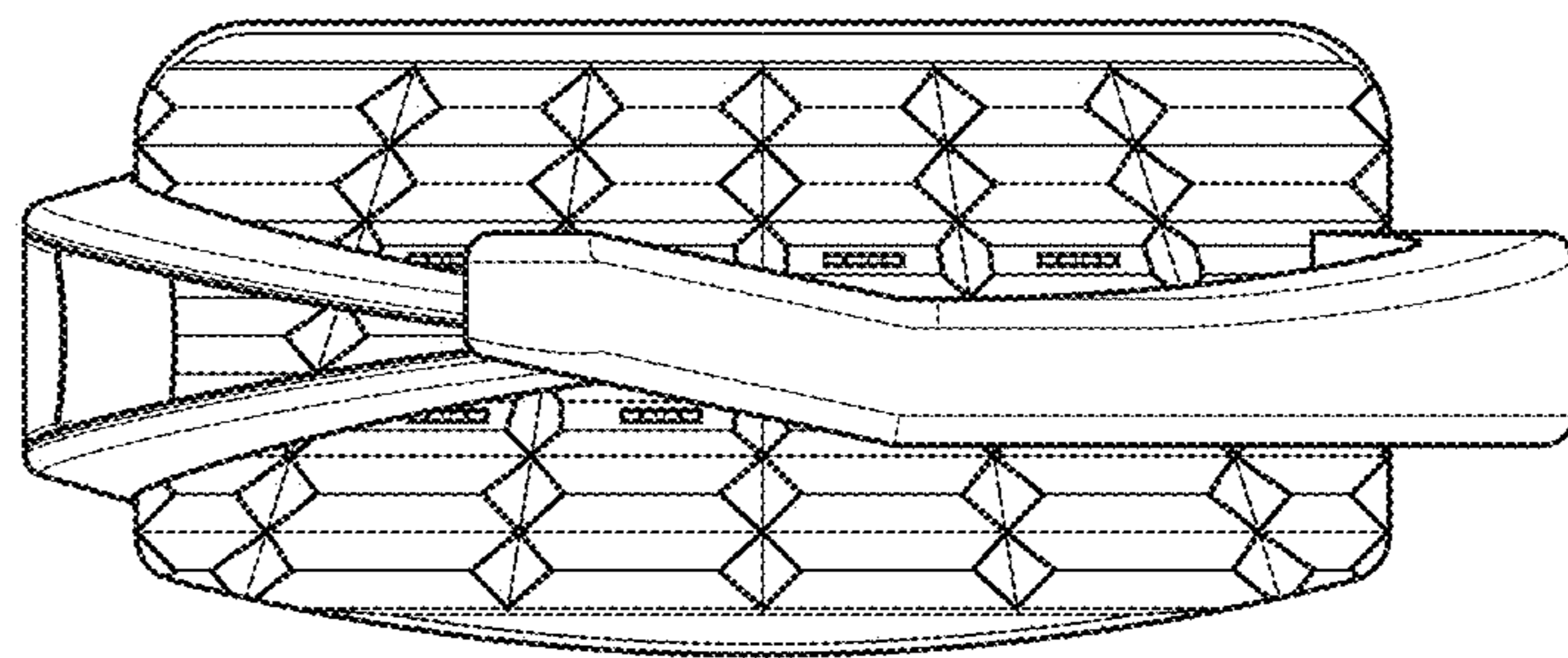
1.4



1.5



1.6



1.7

