



US00D976498S

(12) **United States Design Patent**  
**Liu**

(10) **Patent No.:** **US D976,498 S**  
(45) **Date of Patent:** **\*\* Jan. 24, 2023**

(54) **PET WATER FOUNTAIN**

(71) Applicant: **Shenzhen Yiyuantong Supply Chain Management Co., Ltd.**, Shenzhen (CN)

(72) Inventor: **Zhiheng Liu**, Guangdong (CN)

(73) Assignee: **Shenzhen Yiyuantong Supply Chain Management Co., Ltd.**, Shenzhen (CN)

(\*\*) Term: **15 Years**

(21) Appl. No.: **29/843,381**

(22) Filed: **Jun. 21, 2022**

(51) **LOC (14) Cl.** ..... **30-03**

(52) **U.S. Cl.**  
USPC ..... **D30/132**

(58) **Field of Classification Search**  
USPC ..... D30/110, 114, 115, 116, 121, 122, 124, D30/125, 127, 128, 129, 130, 131, 132, D30/133; D21/340  
CPC ..... A01K 5/0114; A01K 5/0121; A01K 5/02; A01K 5/0291; A01K 5/025; A01K 5/0266; A01K 5/0275; A01K 5/0283; A01K 5/0258; A01K 5/0142; A01K 5/0233; A01K 29/00; A01K 7/00; A01K 7/02; A01K 7/06; A01K 7/04; A01K 7/005; A01K 7/022; A01K 7/025; A01K 7/027; A01K 5/0216; A01K 39/02; G01F 11/24; G01F 23/02; B67D 1/0425; B67D 1/04; B67D 1/00; B67D 1/02; B67D 1/0871; B67D 1/0802; A47J 41/0033; A47J 41/005; A47J 41/0088; A47J 41/0094; A47J 41/04; A47J 41/053; B05B 11/00; B05B 11/0002; B05B 11/0005; B05B 11/001; B05B 17/08; B05B 17/085; C02F 1/003; C02F 1/283; C02F 2307/02; F04B 23/00; F04B 23/02; F04B 23/021; F04B 23/026; B01D 35/30; Y10T 137/86035; Y10T 137/8376; Y10T 137/85954-85978

See application file for complete search history.

(56) **References Cited**

U.S. PATENT DOCUMENTS

D303,441	S	*	9/1989	Keller	.....	119/61.5
D481,592	S	*	11/2003	Bulcher	.....	D7/553.1
D541,994	S	*	5/2007	Dana	.....	D30/129
D894,500	S	*	8/2020	Cui	.....	D30/132
D899,706	S	*	10/2020	Liang	.....	D30/129
D912,910	S	*	3/2021	Xue	.....	D30/132

(Continued)

OTHER PUBLICATIONS

Cheers.US Bowl Raised. Cheers.US, walmart.com (online) 4 pages. Posted Unknown. [Retrieved Nov. 28, 2022] <https://www.walmart.com/ip/Cheers-US-1PCS-2PCS-Dog-Bowl-Raised> (Year: NA).\*

(Continued)

*Primary Examiner* — Kathleen L Jones  
*Assistant Examiner* — Cole Sanders Holman  
(74) *Attorney, Agent, or Firm* — ScienBiziP, P.C.

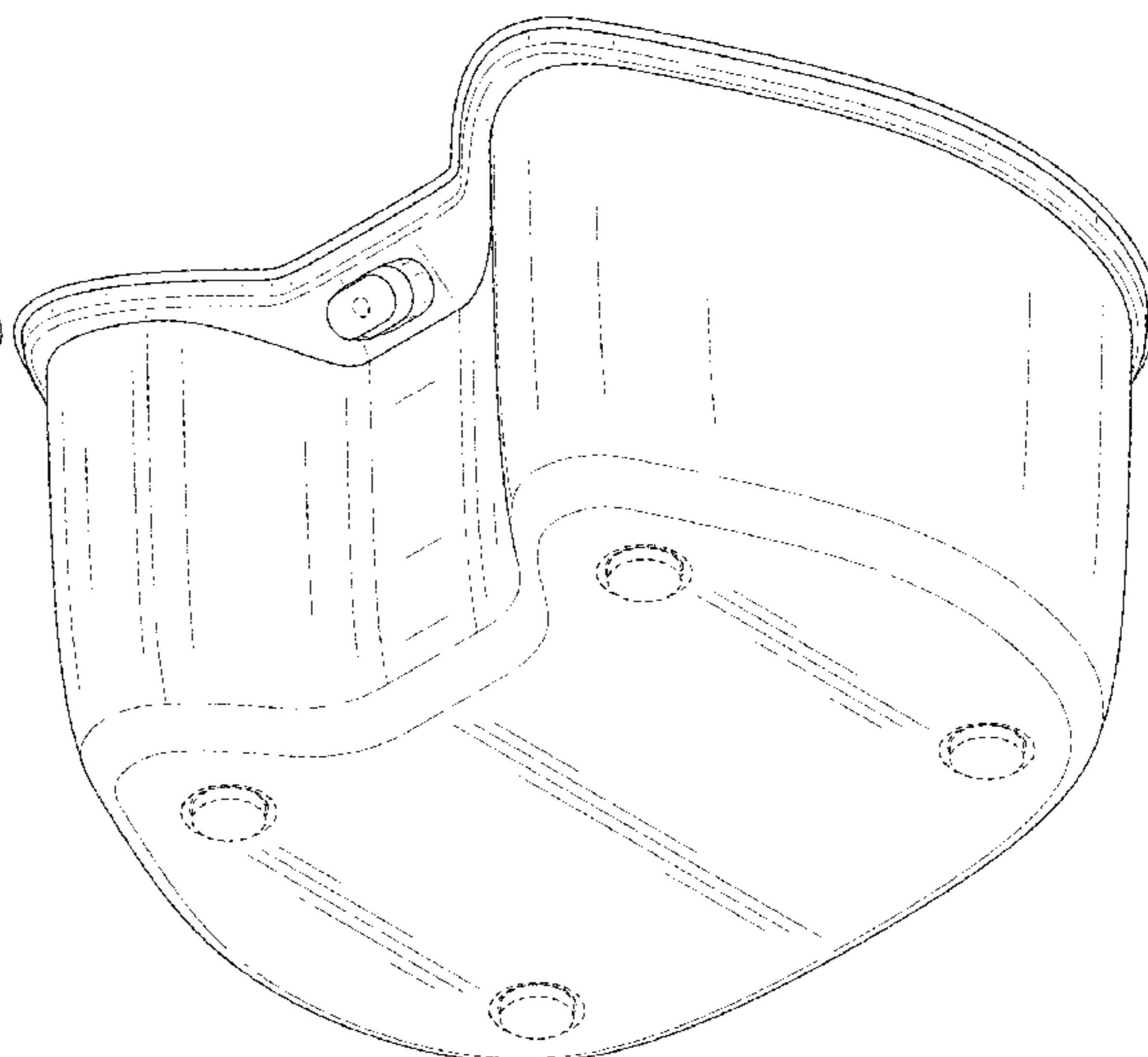
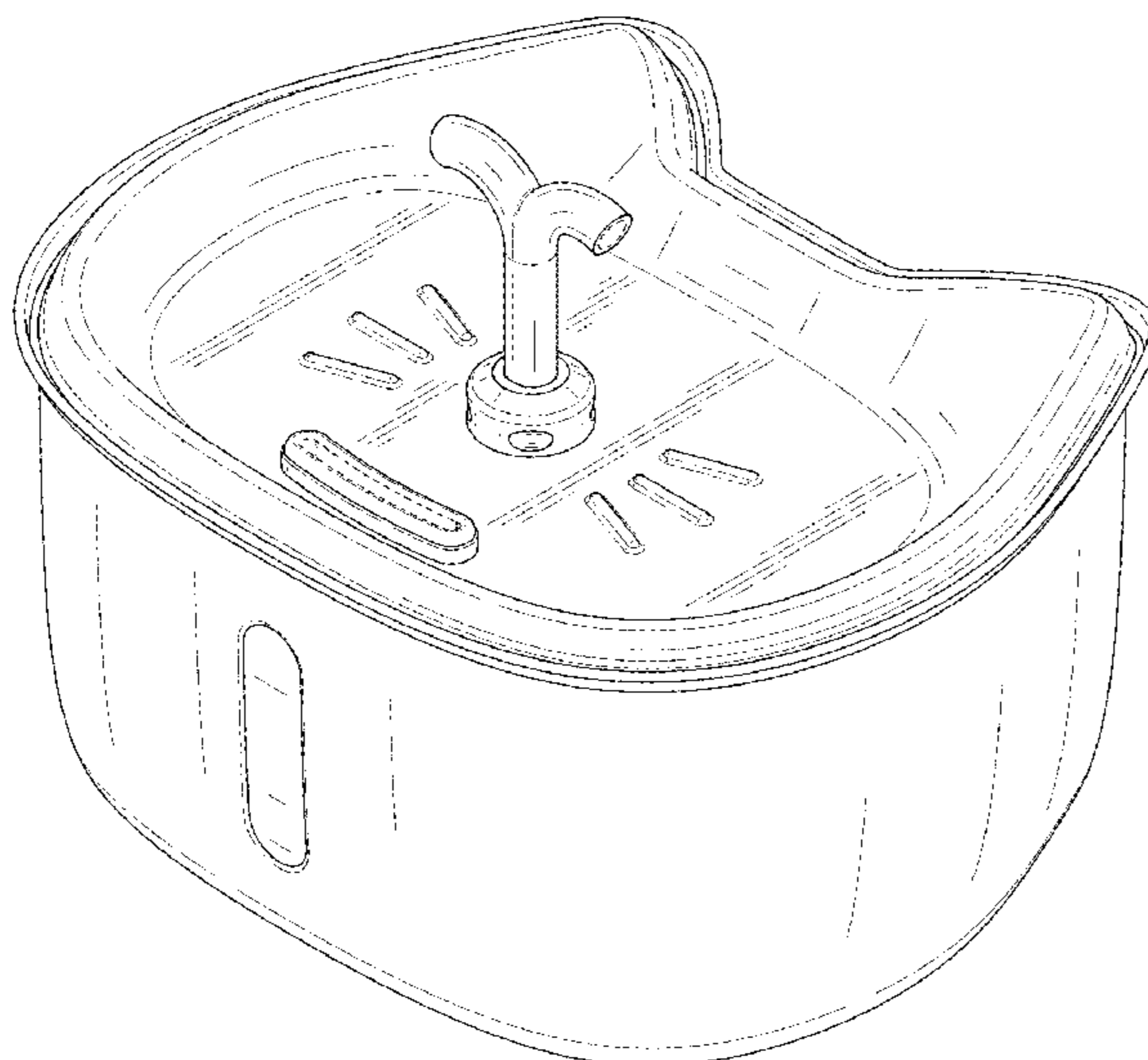
(57) **CLAIM**

The ornamental design for a pet water fountain, as shown and described.

**DESCRIPTION**

FIG. 1 is a front, right and top perspective view of a pet water fountain, showing my design.  
FIG. 2 is a rear, left and bottom perspective view thereof.  
FIG. 3 is a front elevation view thereof.  
FIG. 4 is a rear elevation view thereof.  
FIG. 5 is a left side elevation view thereof.  
FIG. 6 is a right side elevation view thereof.  
FIG. 7 is a top plan view thereof; and,  
FIG. 8 is a bottom plan view thereof.  
The broken lines shown in the drawings are included for the purpose of illustrating portions of the pet water fountain that form no part of the claimed design.

**1 Claim, 8 Drawing Sheets**



(56)

**References Cited**

## U.S. PATENT DOCUMENTS

D936,912 S \* 11/2021 Huang ..... D30/132  
D949,489 S 4/2022 Tu  
D953,655 S 5/2022 Tu  
D965,233 S \* 9/2022 Gong ..... D30/132  
D965,921 S \* 10/2022 Gong ..... D30/132  
2020/0100462 A1 \* 4/2020 Chen ..... A01K 7/025  
2022/0192149 A1 \* 6/2022 Tao ..... C02F 1/001

## OTHER PUBLICATIONS

Catit PIXI Cat Drinking Fountain. Catit, amazon.com (online) 14 pages. Posted Jul. 27, 2021. [Retrieved Nov. 28, 2022] <https://a.co/d/eJduuyp> (Year: 2021).\*

DOOOB Cat Water Fountain. DOOOB, amazon.com (online) 14 pages. Posted Jul. 28, 2021. [Retrieved Nov. 28, 2022] <https://a.co/d/60rLaKx> (Year: 2021).\*

Lu Shaohua, CN Design No. 306859288, published at Orbit, publication date Sep. 28, 2021. Site visited Nov. 28, 2022. Available from internet. (Year: 2021).\*

Cat Water Fountain. Bluzzo, amazon.com (online) 11 pages. Posted Oct. 20, 2022. [Retrieved Nov. 28, 2022] <https://a.co/d/9btoliB> (Year: 2022).\*

\* cited by examiner

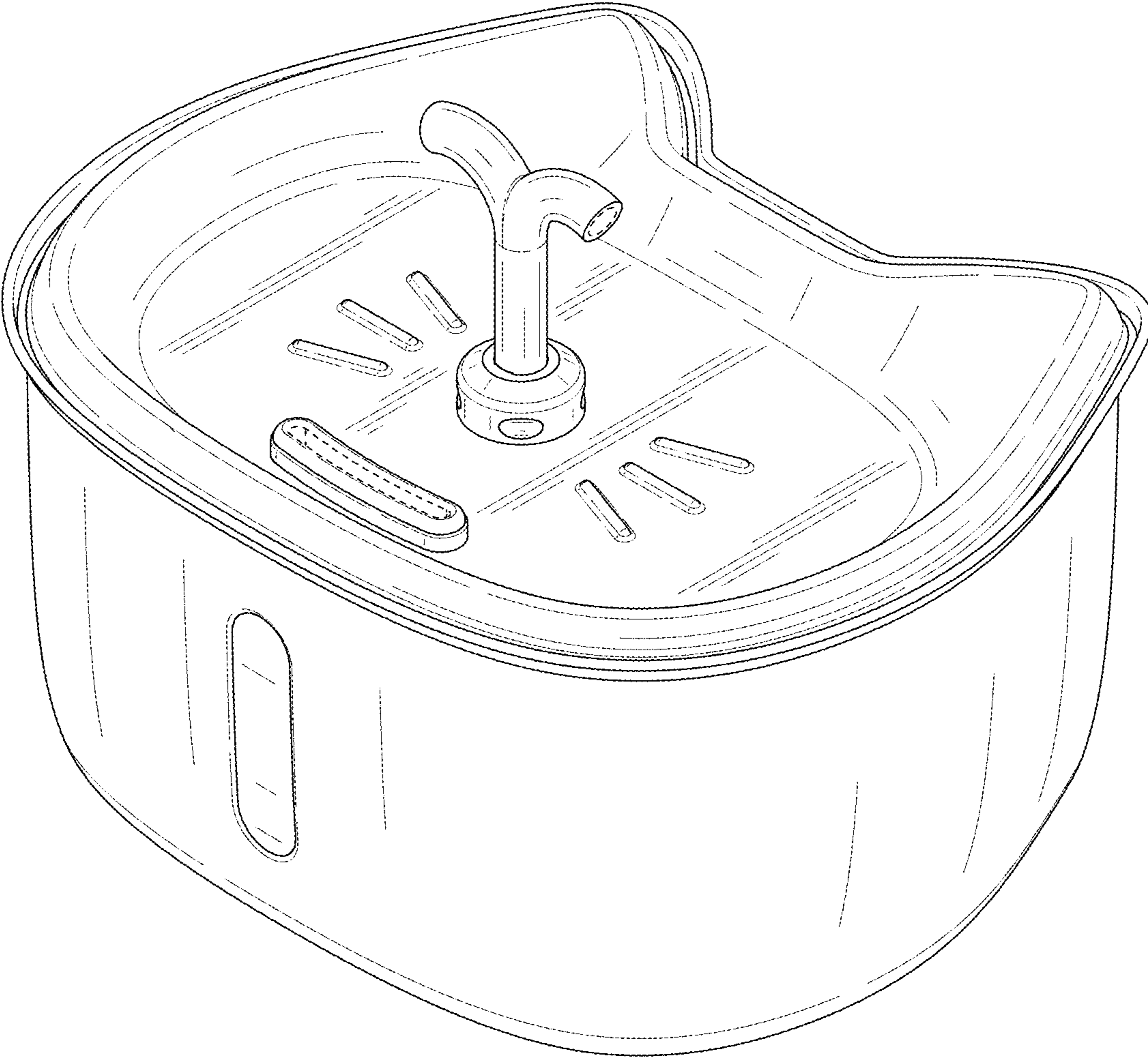


FIG. 1

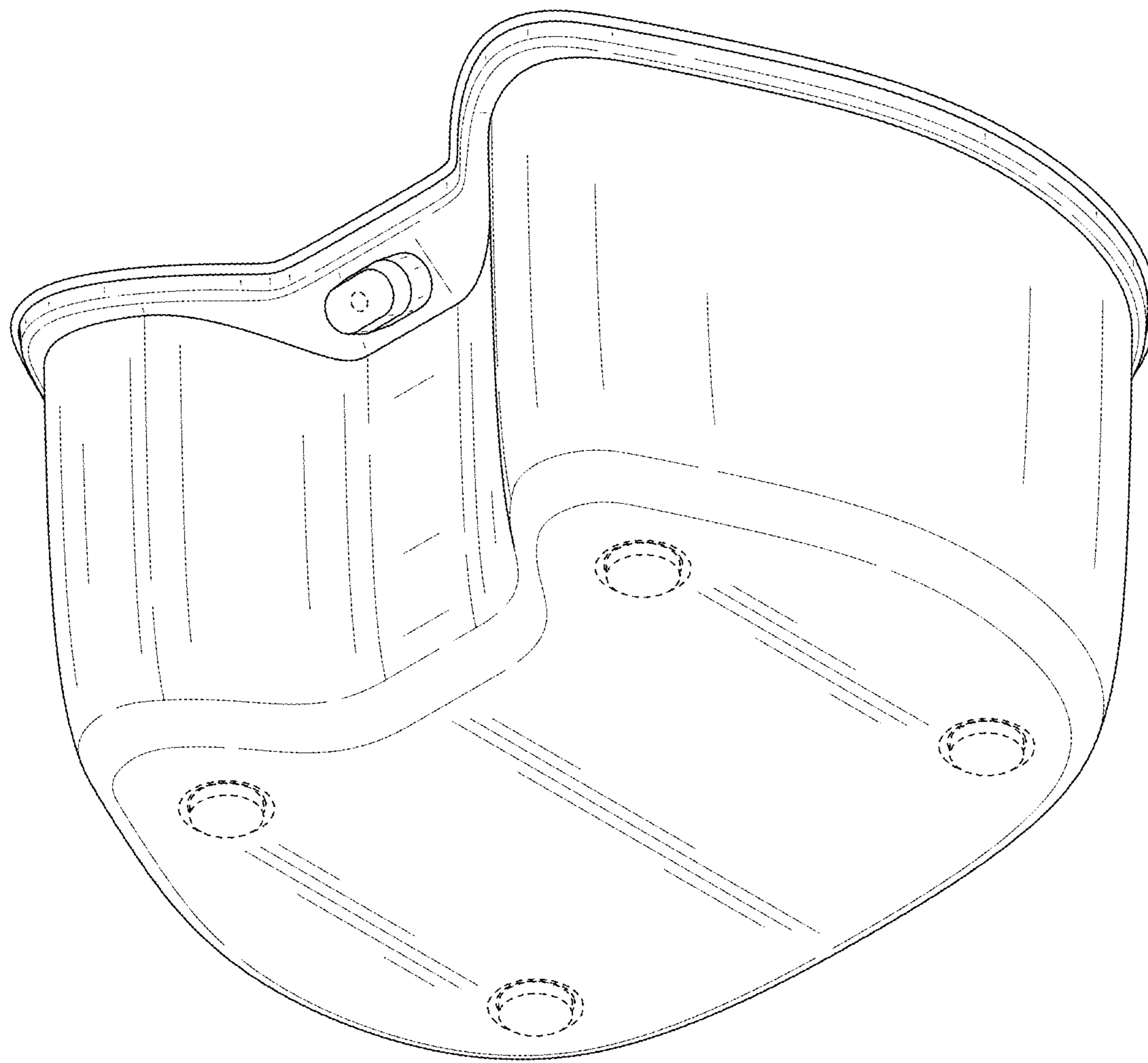


FIG. 2



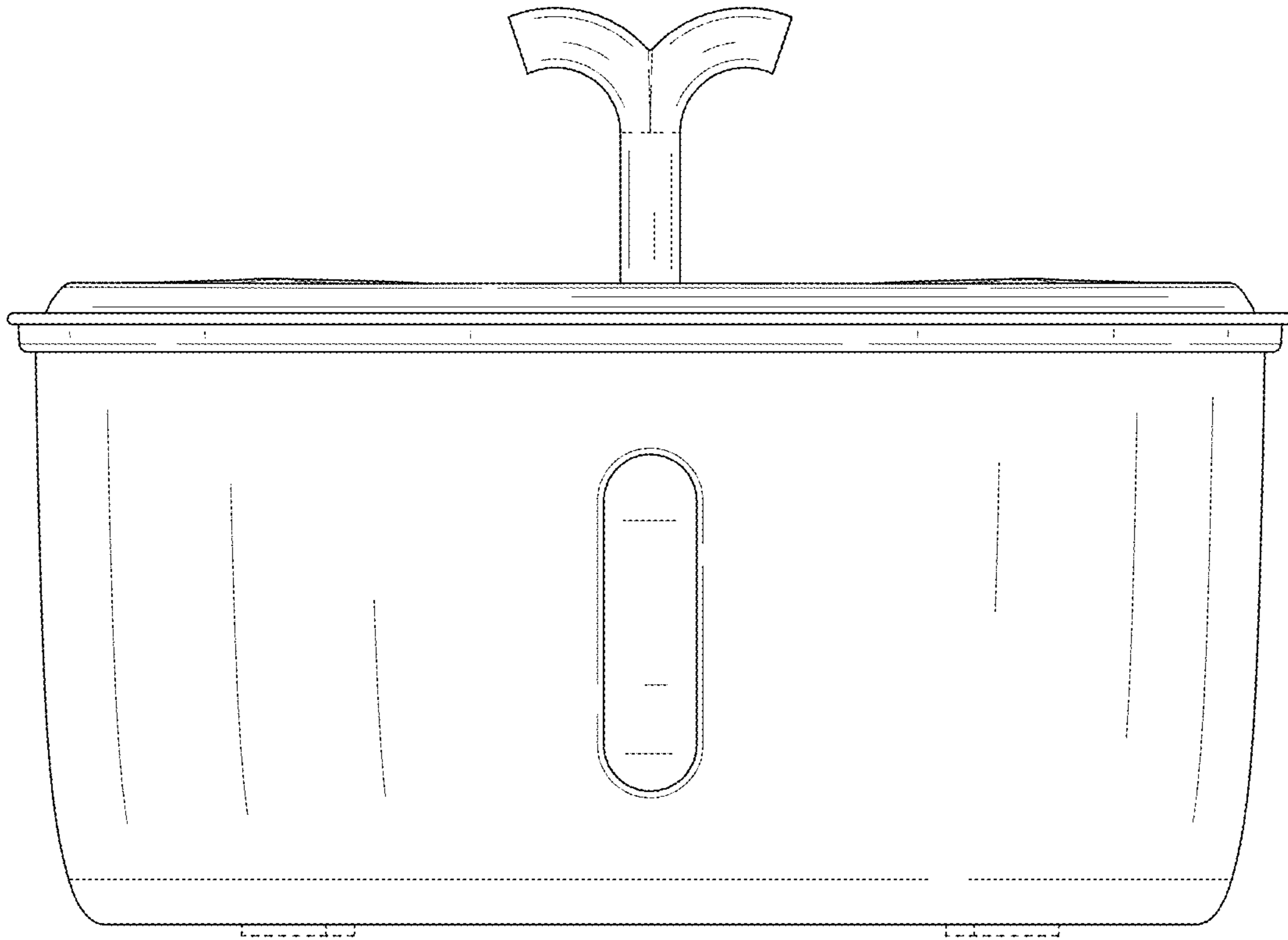


FIG. 3

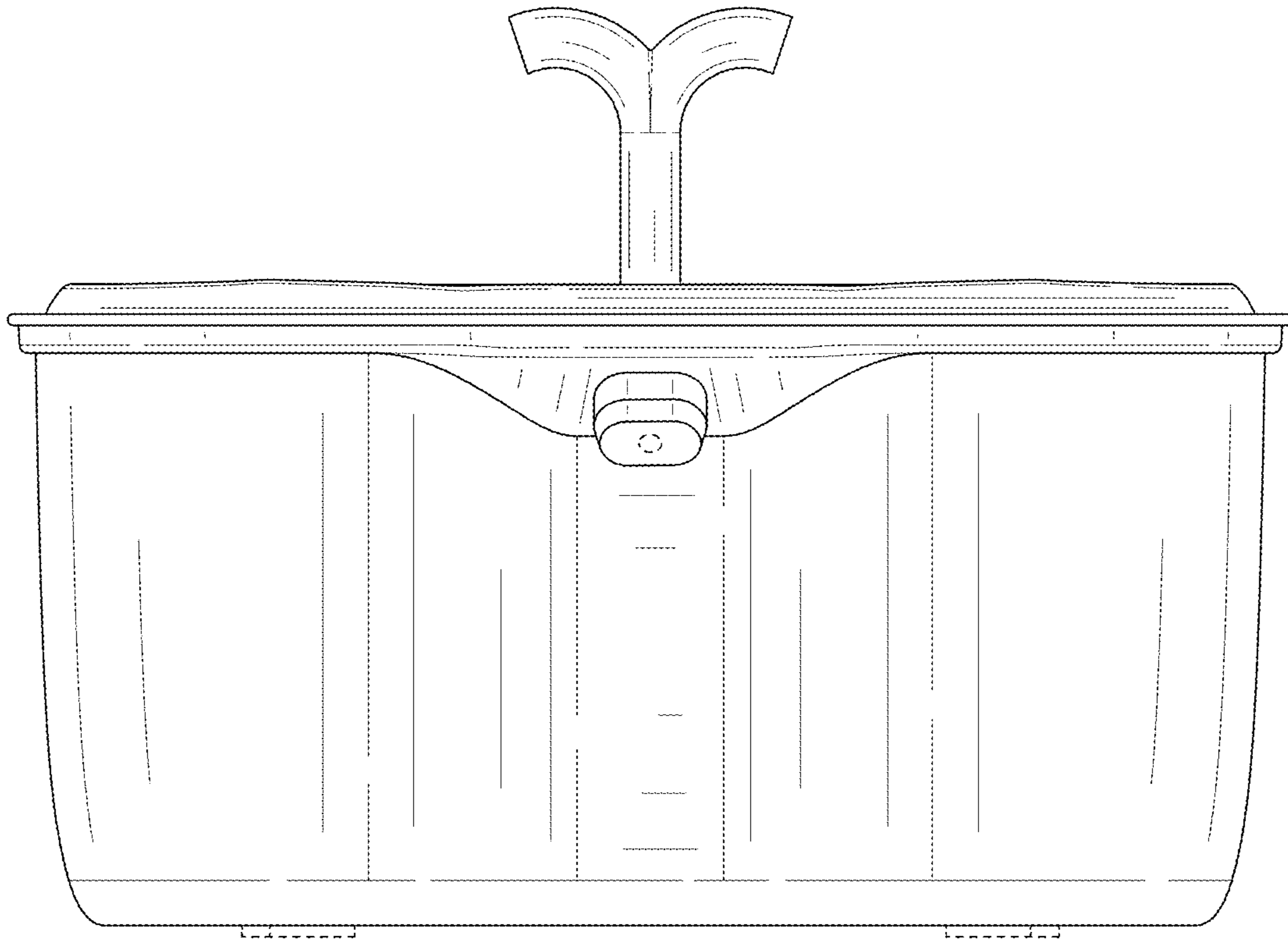


FIG. 4

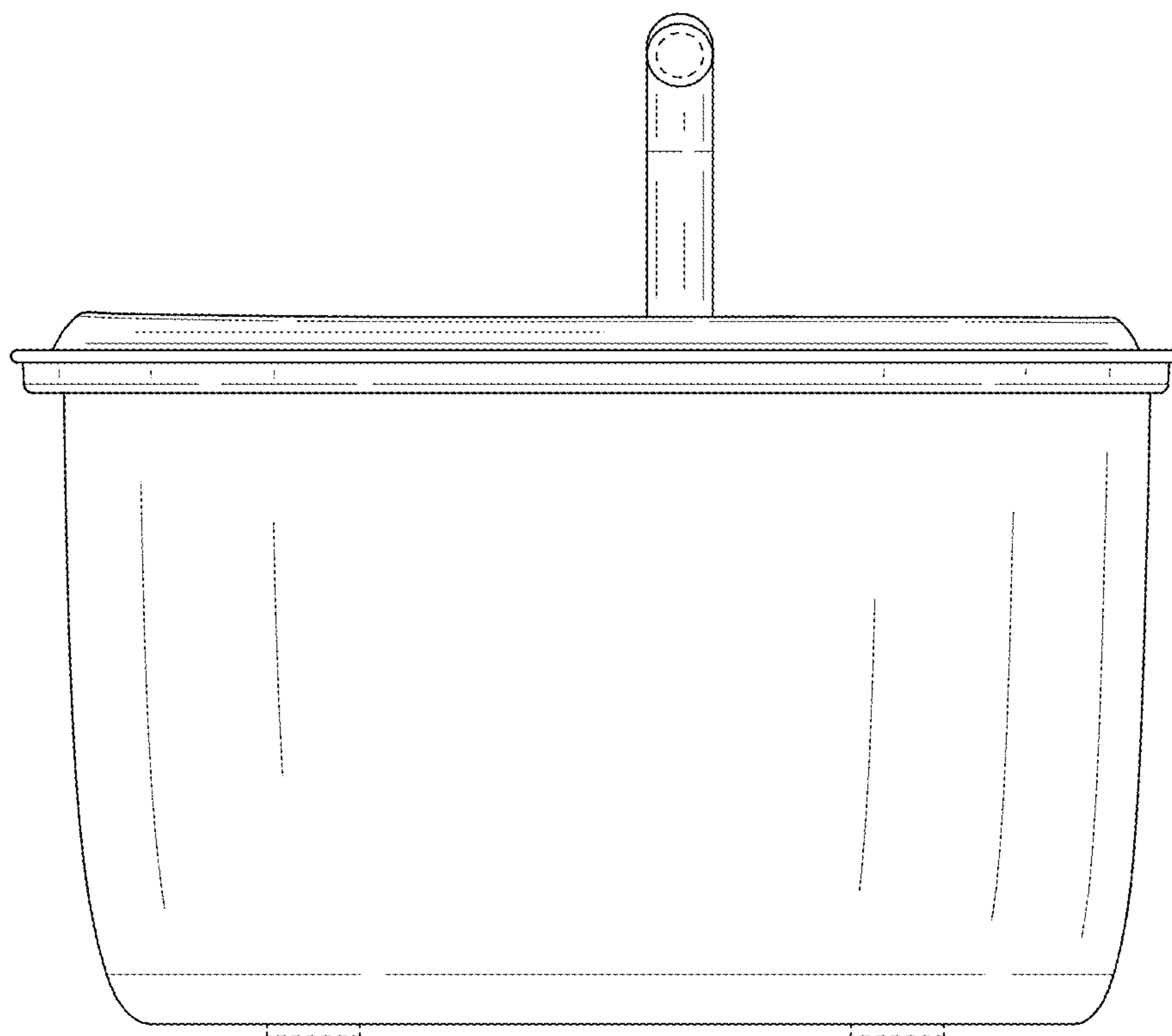


FIG. 5

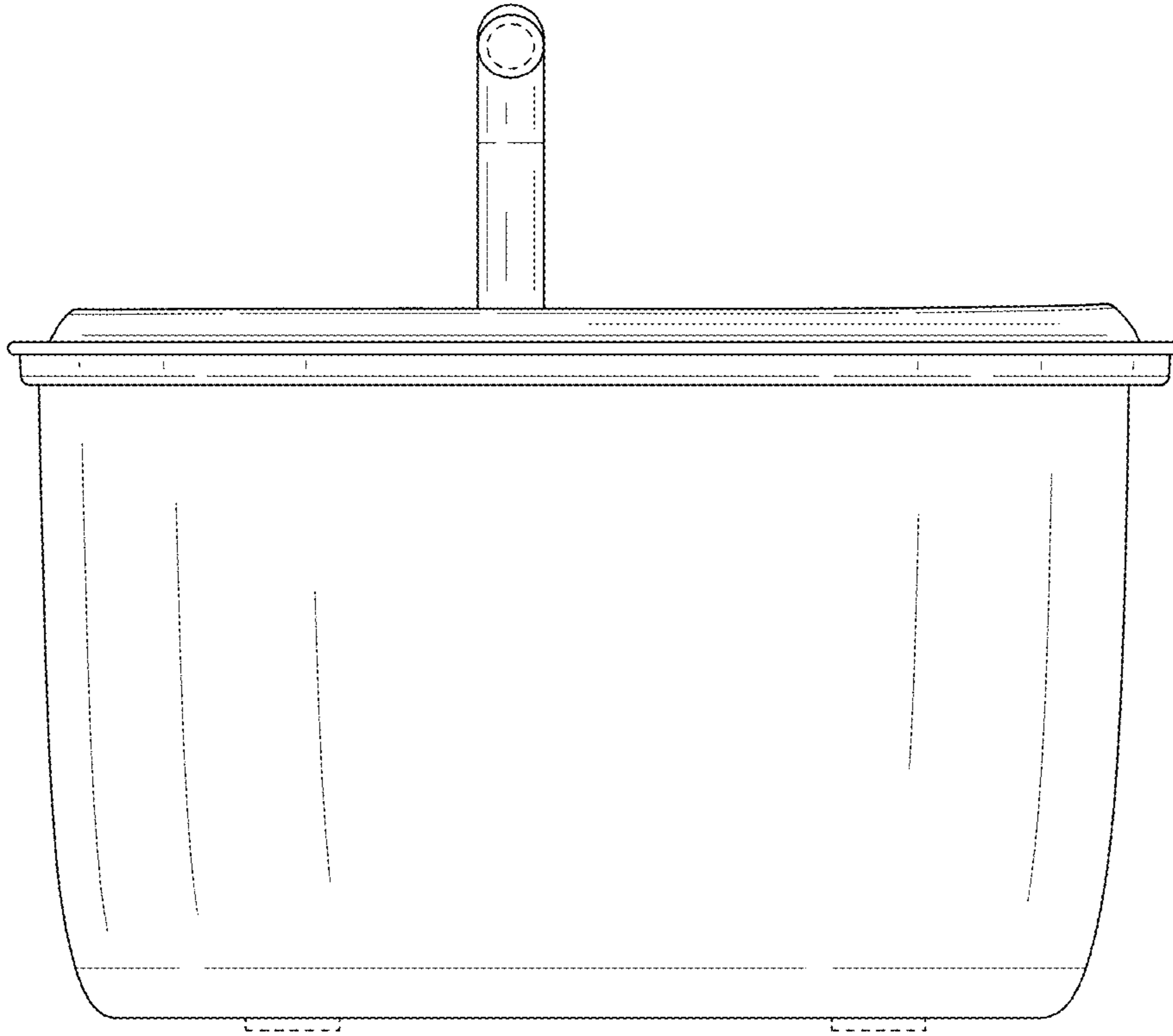


FIG. 6



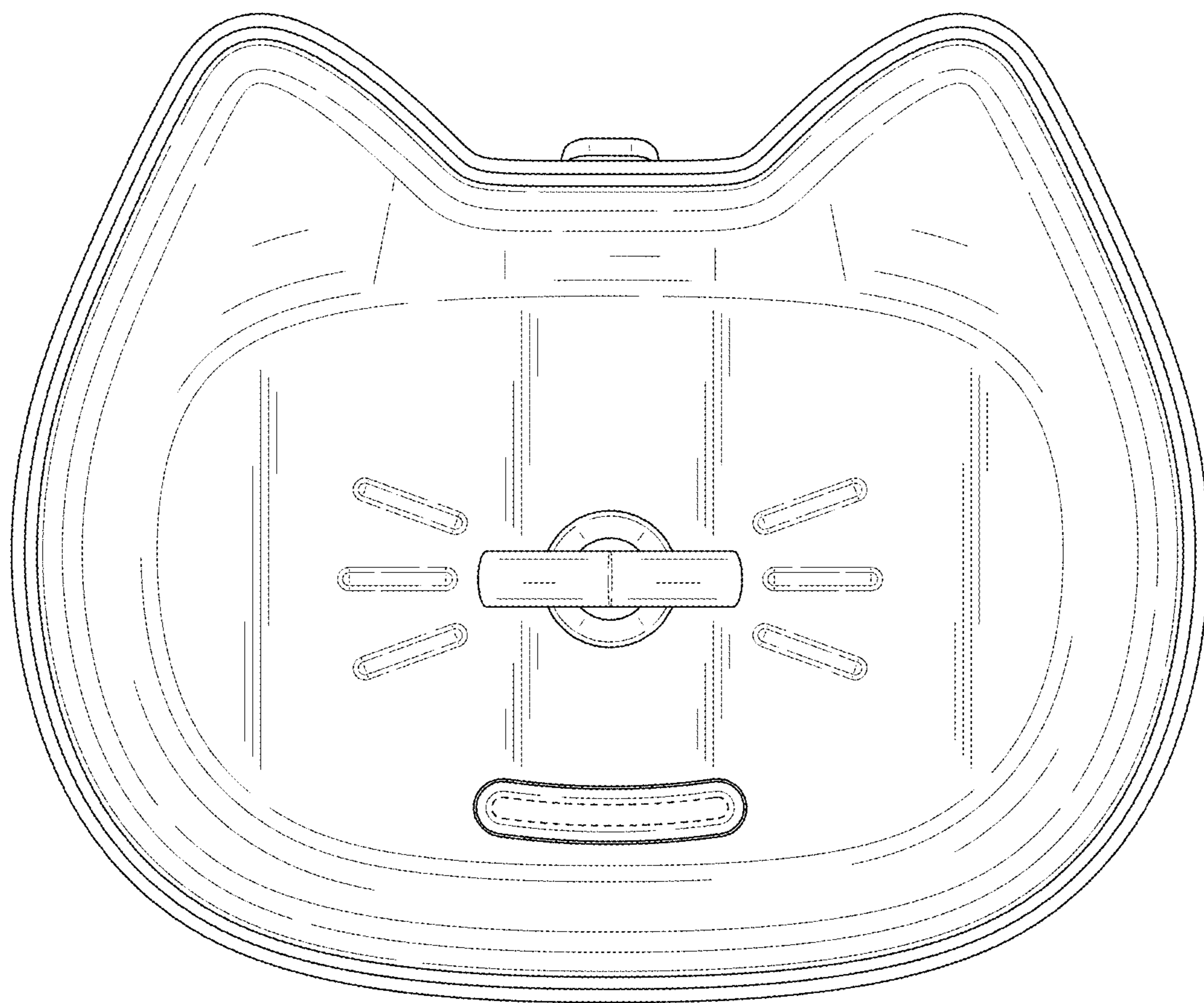


FIG. 7

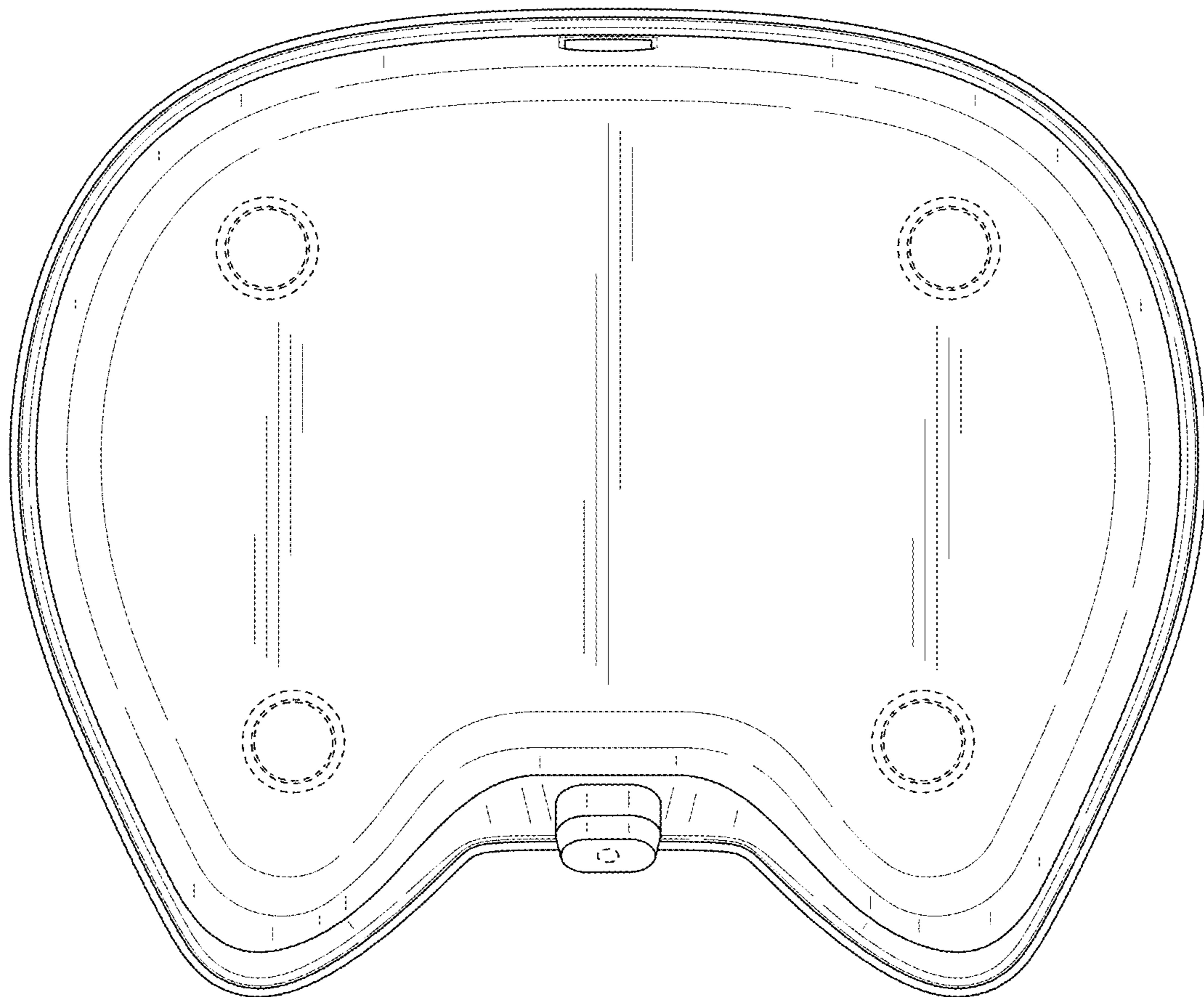


FIG. 8