



US00D976496S

(12) **United States Design Patent**
Liu

(10) **Patent No.:** **US D976,496 S**
(45) **Date of Patent:** **** Jan. 24, 2023**

(54) **ARCH PAD**
(71) Applicant: **Shenzhen Dingji Technology Co., Ltd.**, Shenzhen (CN)
(72) Inventor: **Chengfei Liu**, Yongxing (CN)
(**) Term: **15 Years**
(21) Appl. No.: **29/865,648**
(22) Filed: **Aug. 5, 2022**
(51) **LOC (14) Cl.** **24-02**
(52) **U.S. Cl.**
USPC **D29/121.2**
(58) **Field of Classification Search**
USPC D29/121.2; D24/192
CPC A43B 7/1415; A43B 7/142; A43B 7/143;
A43B 7/1445; A43B 7/1463; A43B
7/1464; A43B 7/1495; A43B 17/00; A43B
17/006; A61F 5/0111; A61F 5/30; A61F
5/32
See application file for complete search history.

6,558,339 B1 * 5/2003 Graham A61F 5/0113
602/66
6,755,800 B2 * 6/2004 Weaver, II A61F 13/108
128/112.1
D502,545 S * 3/2005 Murphy D24/192
D554,269 S * 10/2007 Fareed D24/192
(Continued)

FOREIGN PATENT DOCUMENTS

CN 304161722 * 6/2017
CN 304781269 * 8/2018
CN 305556487 * 1/2020

OTHER PUBLICATIONS

Ailaka Compression Cushioned Arch Support Brace (on-line), dated Jun. 13, 2019. Retrieved from Internet Sep. 22, 2022, URL: https://www.amazon.com/Ailaka-Compression-Cushioned-Support-Fasciitis/dp/B07MGWMT8V/ref=sr_1_20_sspa?crd=3B7U1UPVO2EC9&keyword%E2%80%A6 (5 pages) (Year: 2019).*
(Continued)

Primary Examiner — Kimberly Barnes
(74) *Attorney, Agent, or Firm* — Vladimir Postnikov

(56) **References Cited**

U.S. PATENT DOCUMENTS

1,318,972 A * 10/1919 Cook A61F 13/065
602/66
1,492,514 A * 4/1924 Jensen A61F 13/065
602/66
1,518,217 A * 12/1924 Palm A61F 13/065
602/66
1,538,026 A * 5/1925 Cramer A61F 13/065
602/66
1,614,934 A * 1/1927 Saums A61F 13/065
602/66
1,651,285 A * 11/1927 Levick, Jr. A61F 13/065
602/66
1,668,459 A * 5/1928 Levitt A61F 13/065
602/66
2,133,302 A * 10/1938 McCormick A43B 7/142
36/8.4
D380,267 S * 6/1997 Roth D24/192
D464,177 S * 10/2002 Troxell D29/121.1

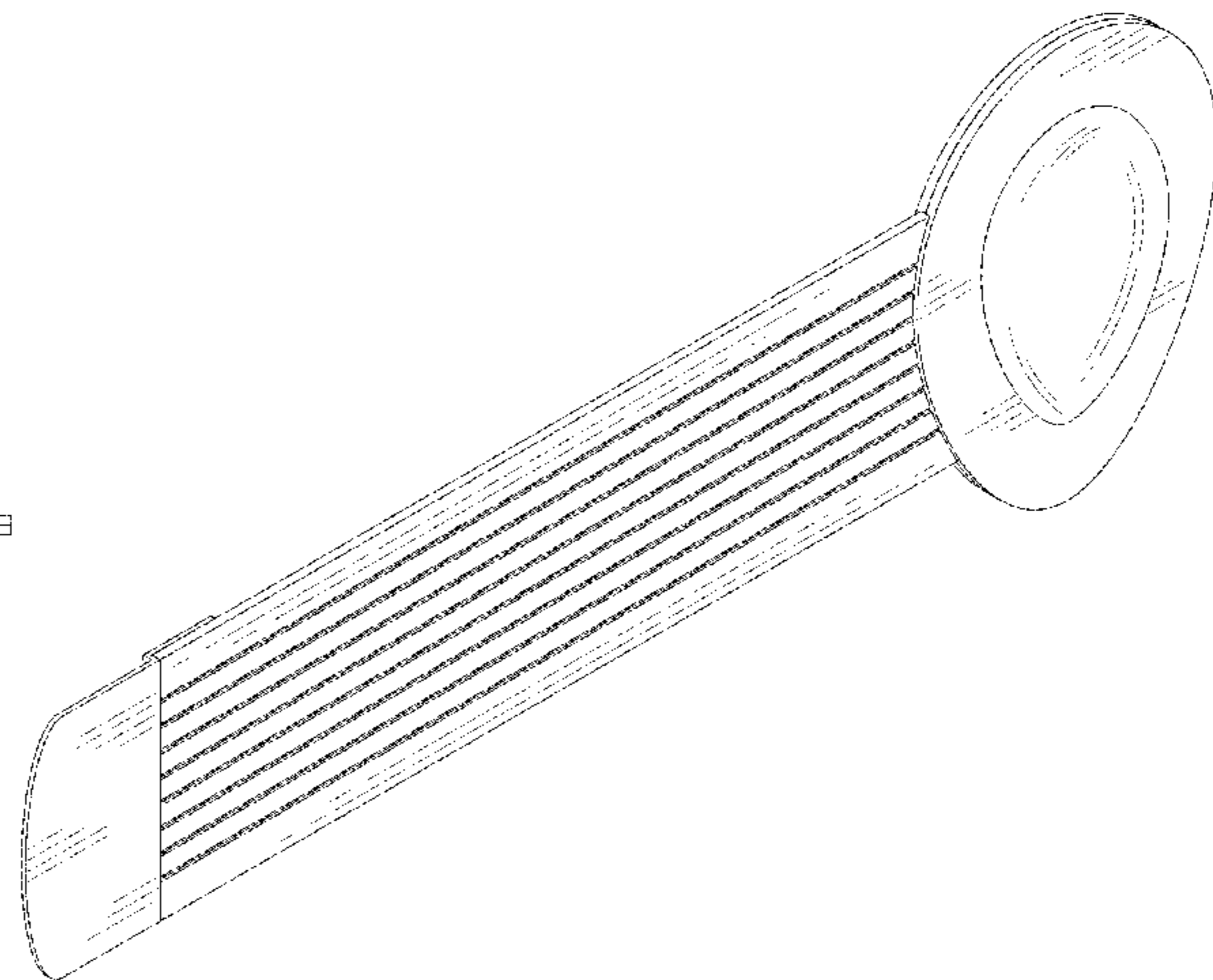
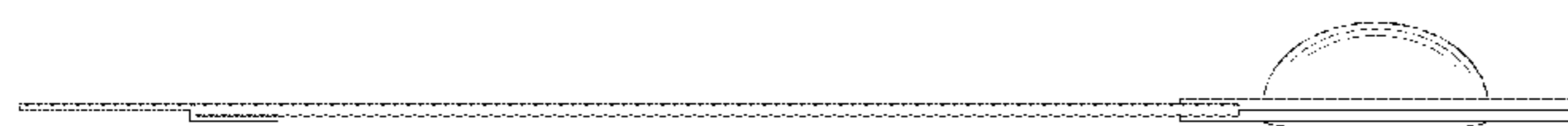
(57) **CLAIM**

The ornamental design for an arch pad, as shown and described.

DESCRIPTION

FIG. 1 is a front elevation view of an arch pad showing the new design;
FIG. 2 is a back elevation view thereof;
FIG. 3 is a left-side view thereof;
FIG. 4 is a right-side view thereof;
FIG. 5 is a top plan view thereof;
FIG. 6 is a bottom plan view thereof;
FIG. 7 is a top-left perspective view thereof; and,
FIG. 8 is a back, left-side and bottom perspective view thereof.

1 Claim, 8 Drawing Sheets



(56)

References Cited

U.S. PATENT DOCUMENTS

7,367,074 B1 * 5/2008 Bergquist A43B 7/28
36/166
8,240,066 B2 * 8/2012 Logan A61F 5/0111
36/145
8,628,488 B2 * 1/2014 Serola A61H 1/00
2/338
D699,425 S 2/2014 Coleman
D703,336 S 4/2014 Eldridge
D784,544 S * 4/2017 Dudkiewicz D29/101.3
D802,223 S * 11/2017 Quantz D2/639
D831,279 S * 10/2018 Troxell D29/121.1
D885,593 S 5/2020 Fleming
D930,843 S * 9/2021 Cran D24/192
11,154,118 B2 * 10/2021 Conti A43B 7/32
D961,784 S * 8/2022 Liu D29/101.5
2005/0251073 A1 * 11/2005 Roth A43B 7/1445
602/8
2010/0249685 A1 * 9/2010 Llorens A61F 5/14
602/28

OTHER PUBLICATIONS

Yapeach Arch Support Unisex Adjustable Foot Arch Relief Braces (on-line), dated Sep. 17, 2022. Retrieved from Internet Sep. 22, 2022, URL: https://www.amazon.com/Yapeach-Support-Adjustable-Orthotic-Fasciitis/dp/B0B8YW9T5X/ref=sr_1_48?crd=3B7UIUPVO2EC9&keywords=foot+arch+support&qid=1663889015&prefix=foot+arch+support%2Caps%2C136&sr=8-48 (3 pages) (Year: 2022).*

<https://www.amazon.com/dp/B07VDPRHRJ>, from Amazon.com, printed on Aug. 2, 2022.

<https://www.amazon.com/Vive-Arch-Support-Brace-Pair/dp/B01IBTX95E>, from Amazon.com, printed on Aug. 2, 2022.

<https://www.amazon.com/Compression-Fasciitis-Cushioned-Cushions-Problems/dp/B07XXP5RR4>, from Amazon.com, printed on Aug. 2, 2022.

<https://www.amazon.com/Pedag-124-Insole-Metatarsal-10/dp/B001G0NSH0>, from Amazon.com, printed on Aug. 2, 2022.

* cited by examiner

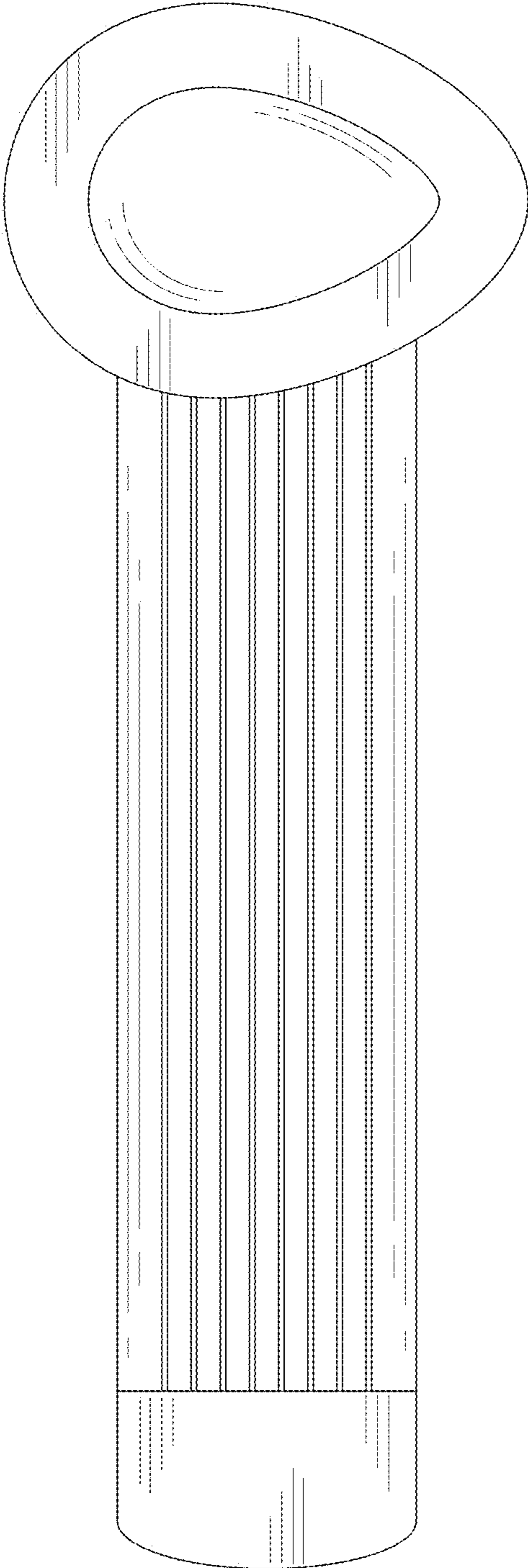


FIG. 1

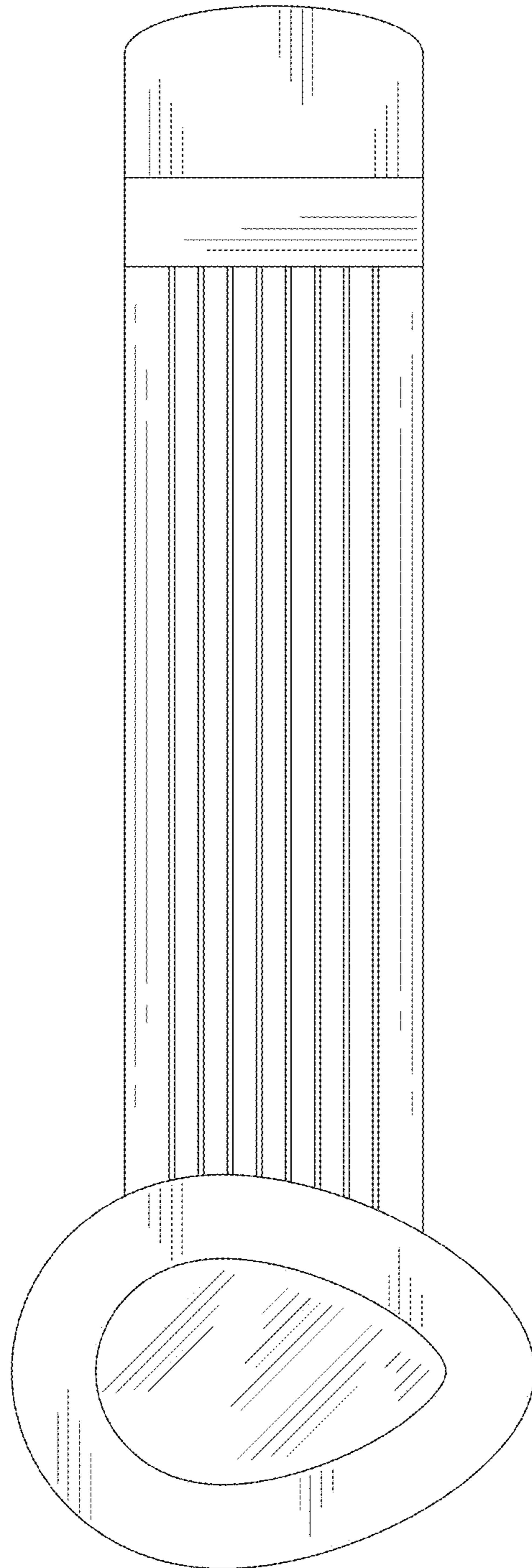


FIG. 2

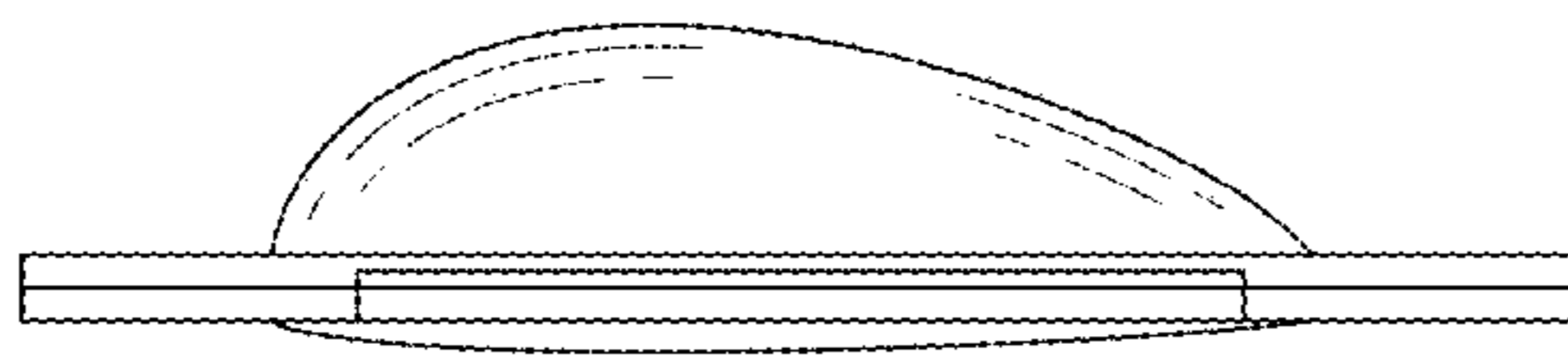


FIG. 3

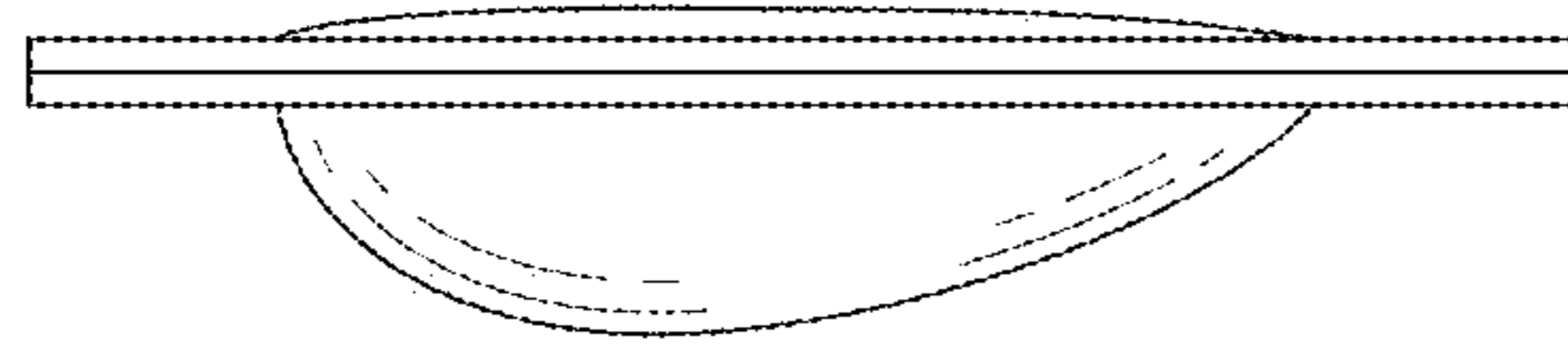


FIG. 4

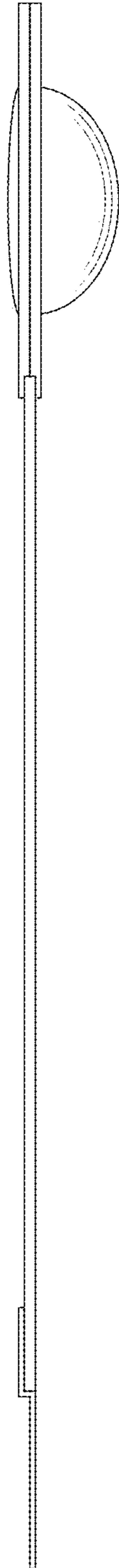


FIG. 5

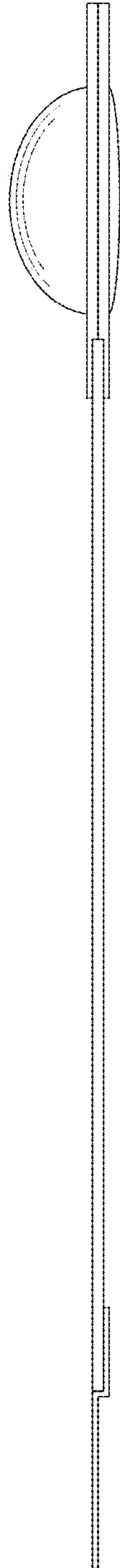


FIG. 6

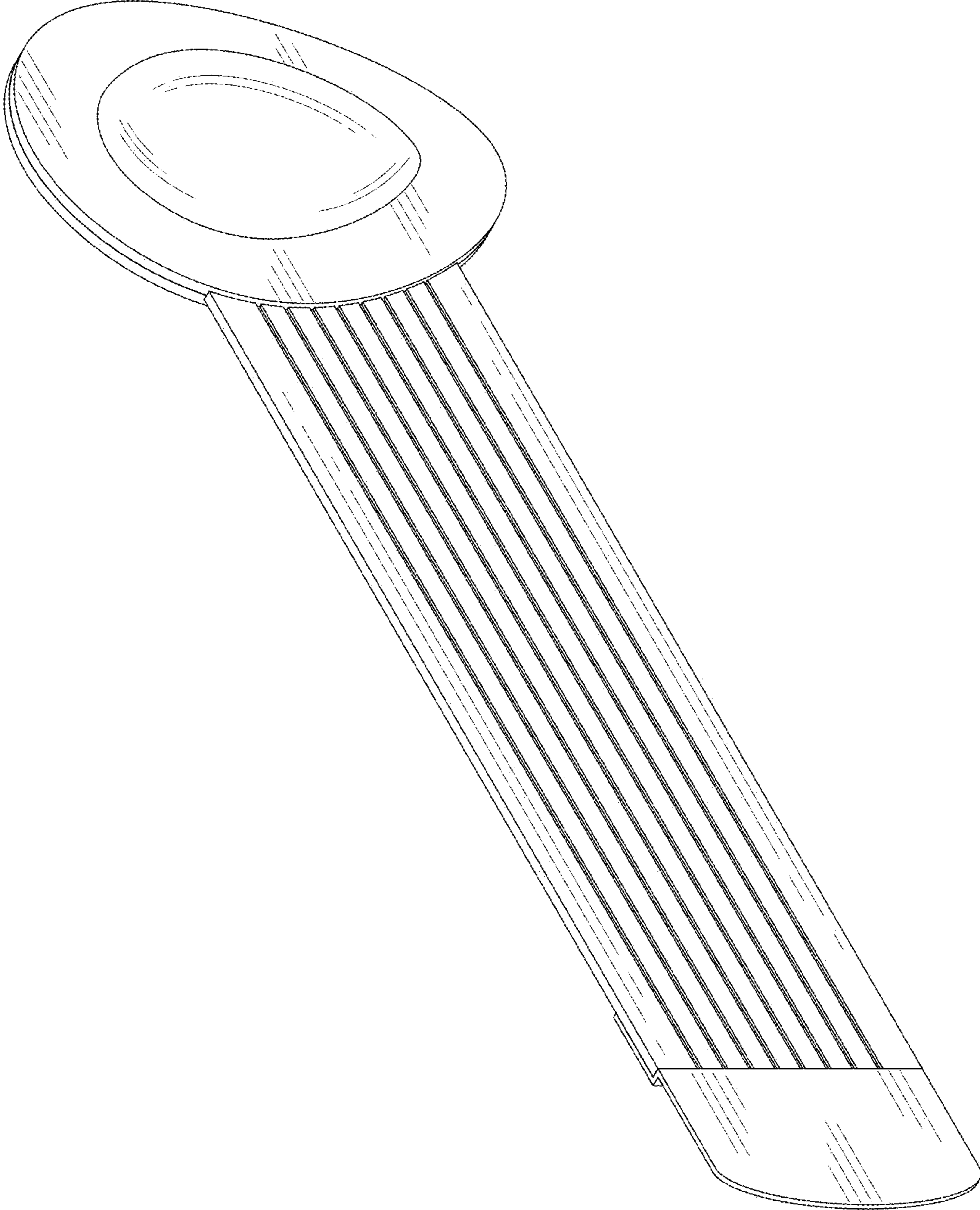


FIG. 7

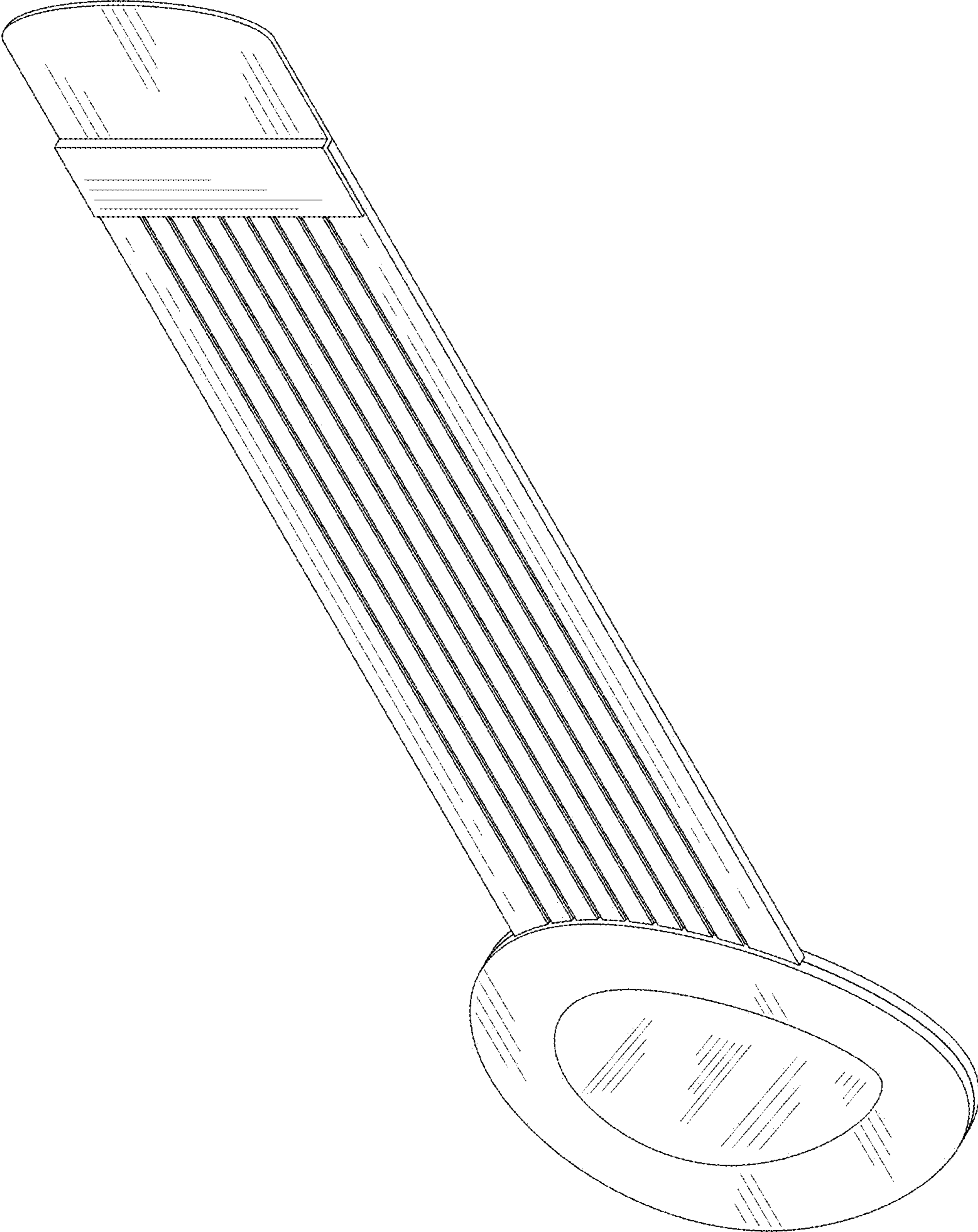


FIG. 8