



US00D976491S

(12) **United States Design Patent** (10) **Patent No.:** **US D976,491 S**  
**Wei** (45) **Date of Patent:** **\*\* Jan. 24, 2023**

(54) **HAIR CLIPPER**

FOREIGN PATENT DOCUMENTS

(71) Applicant: **SHENZHEN JOYU APPLIANCE CO., LTD.**, Shenzhen (CN)

CN 210551380 U \* 5/2020 ..... B26B 19/14  
CN 210850367 U \* 6/2020 .....  
CN 212497868 U \* 2/2021 .....  
CN 214490688 U \* 10/2021 .....  
WO WO-2016120329 A1 \* 8/2016 ..... B26B 19/3853  
WO WO-2017084897 A1 \* 5/2017 ..... B26B 19/20

(72) Inventor: **Zhuhui Wei**, Shaowu (CN)

(\*\*) Term: **15 Years**

\* cited by examiner

(21) Appl. No.: **29/803,299**

*Primary Examiner* — Jennifer Rivard

(22) Filed: **Aug. 12, 2021**

(74) *Attorney, Agent, or Firm* — Rumit Ranjit Kanakia

(51) **LOC (14) Cl.** ..... **28-03**

(52) **U.S. Cl.**

(57) **CLAIM**

USPC ..... **D28/53**

The ornamental design for a hair clipper, as shown and described.

(58) **Field of Classification Search**

**DESCRIPTION**

USPC ..... D28/49–54

CPC ..... B26B 19/46; B26B 19/00–107; B26B

19/3853–3866; B26B 19/3886; B26B

19/20; B26B 19/205; B26B 19/22

See application file for complete search history.

FIG. 1 is a perspective view of a hair clipper showing my new design;

FIG. 2 is a front view thereof;

FIG. 3 is a back view thereof;

FIG. 4 is a left side view thereof;

FIG. 5 is a right side view thereof

FIG. 6 is a top view thereof; and,

FIG. 7 is a bottom view thereof.

The broken lines shown in the drawings depict portions of the hair clipper in which the design is embodied that form no part of the claimed design.

(56) **References Cited**

U.S. PATENT DOCUMENTS

8,484,853 B1 \* 7/2013 Laube ..... B26B 19/44

30/216

D864,484 S \* 10/2019 Talavera ..... D28/53

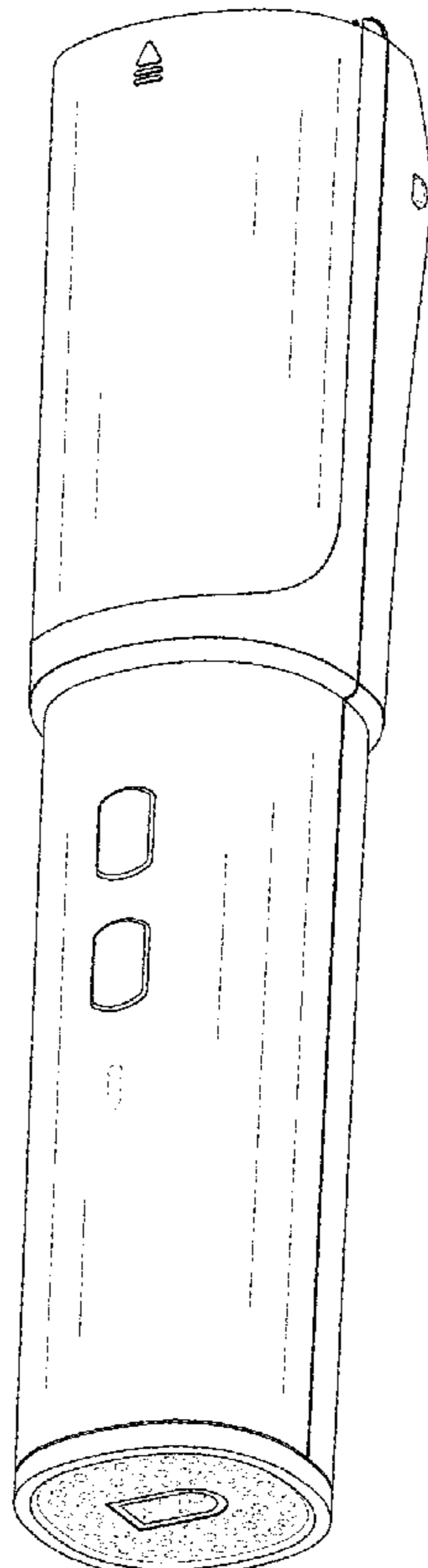
D893,103 S 8/2020 Skuhra

D893,804 S 8/2020 Zhang

D895,209 S 9/2020 Lambrecht

2018/0281214 A1 \* 10/2018 Snow ..... B26B 19/44

**1 Claim, 7 Drawing Sheets**



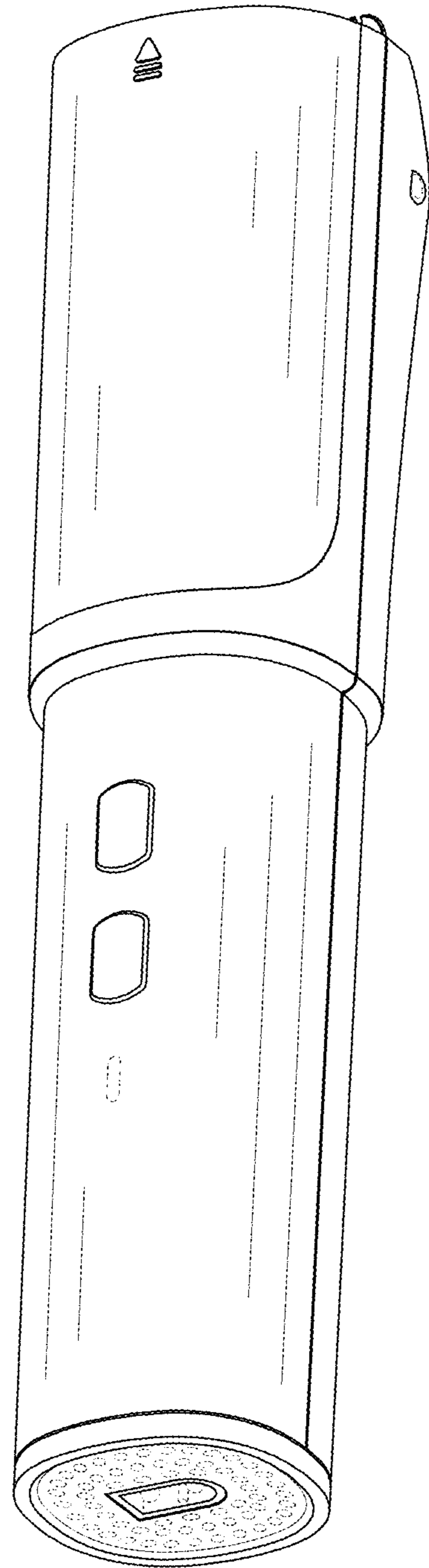


FIG. 1

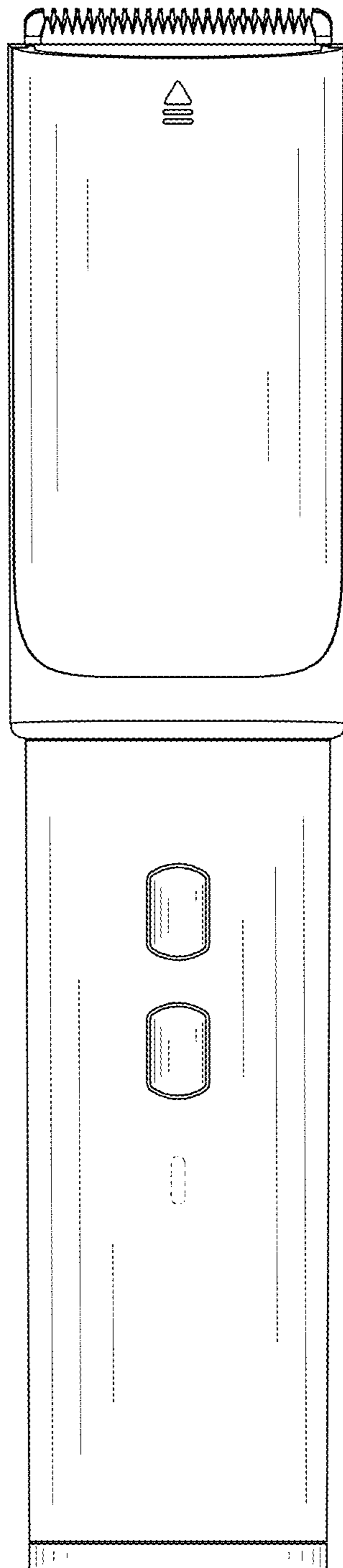


FIG. 2

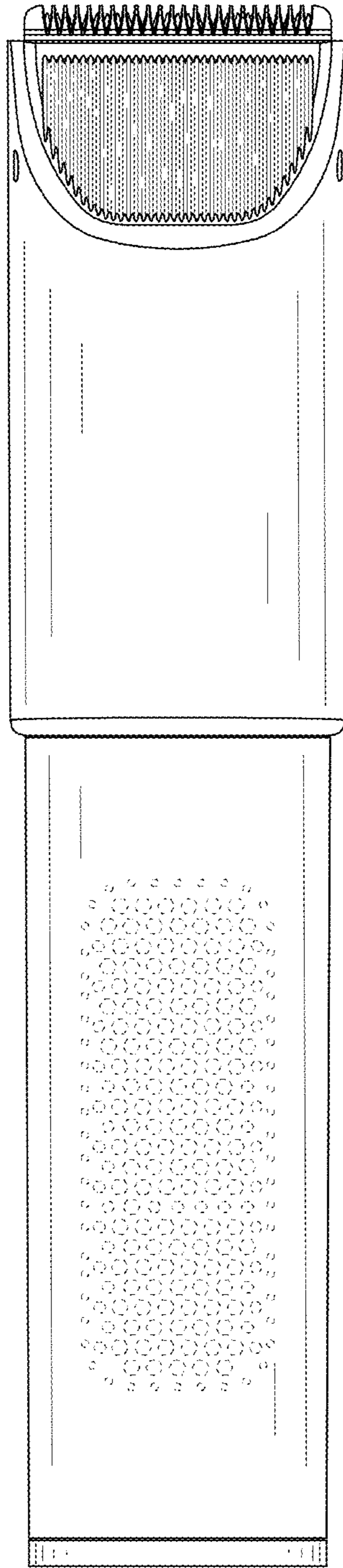


FIG. 3

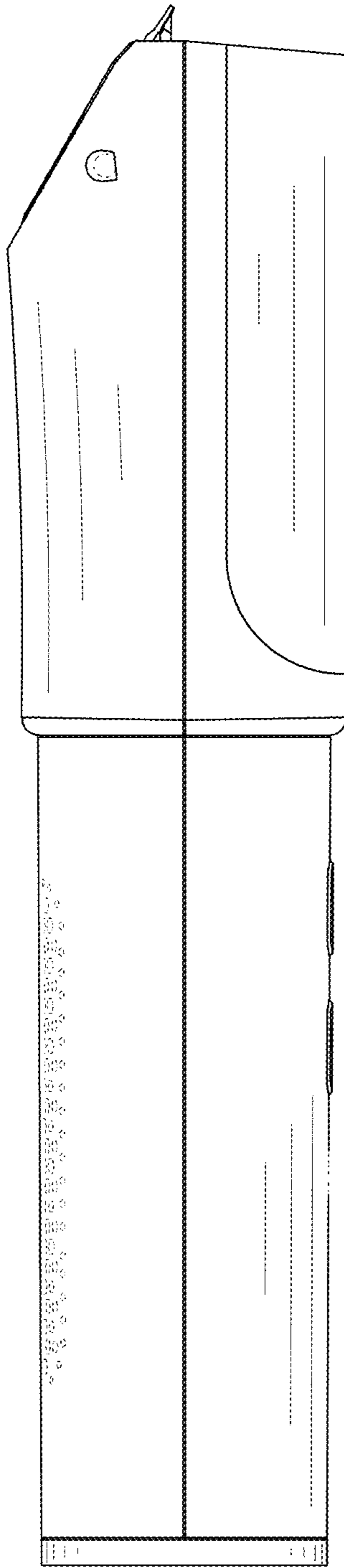


FIG. 4

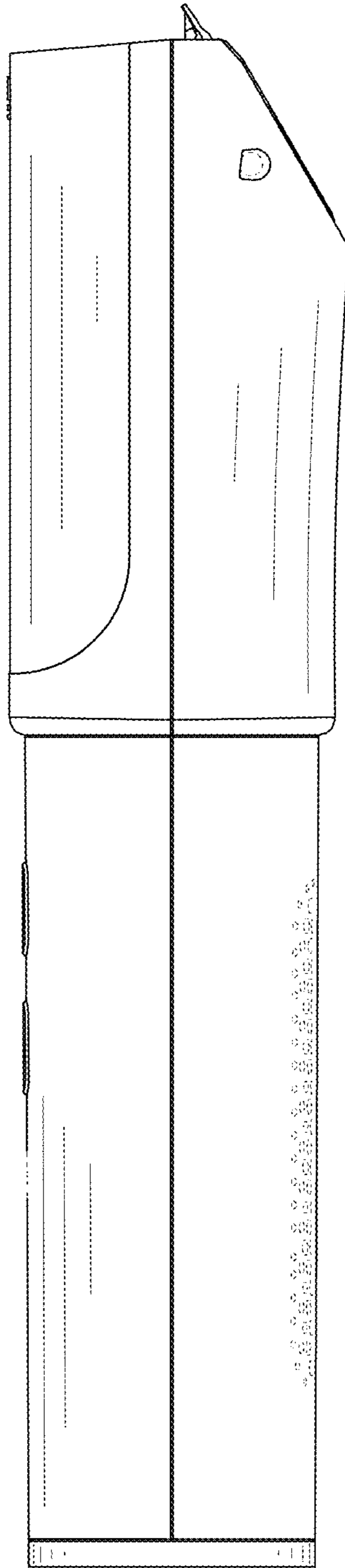


FIG. 5

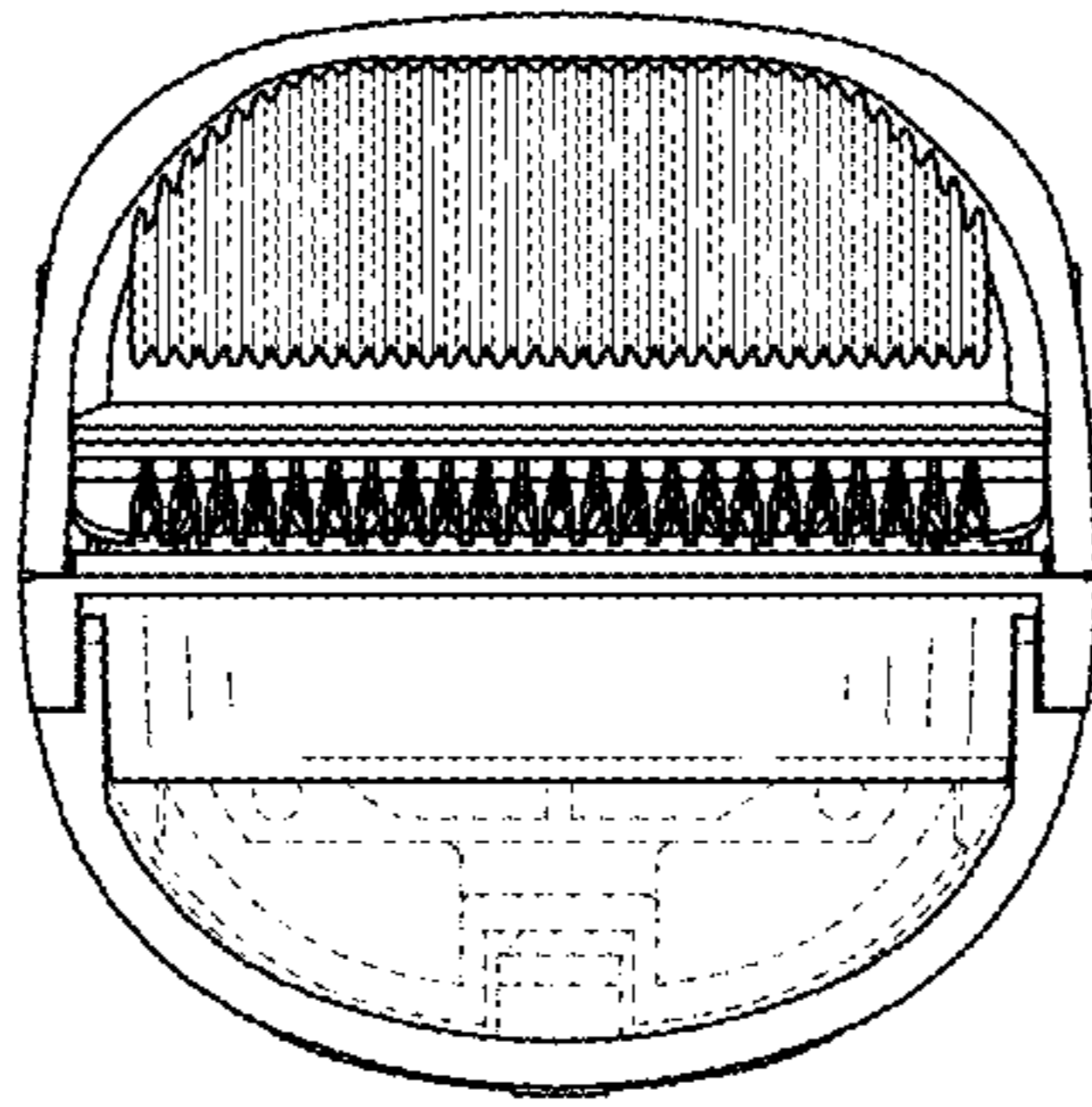


FIG. 6

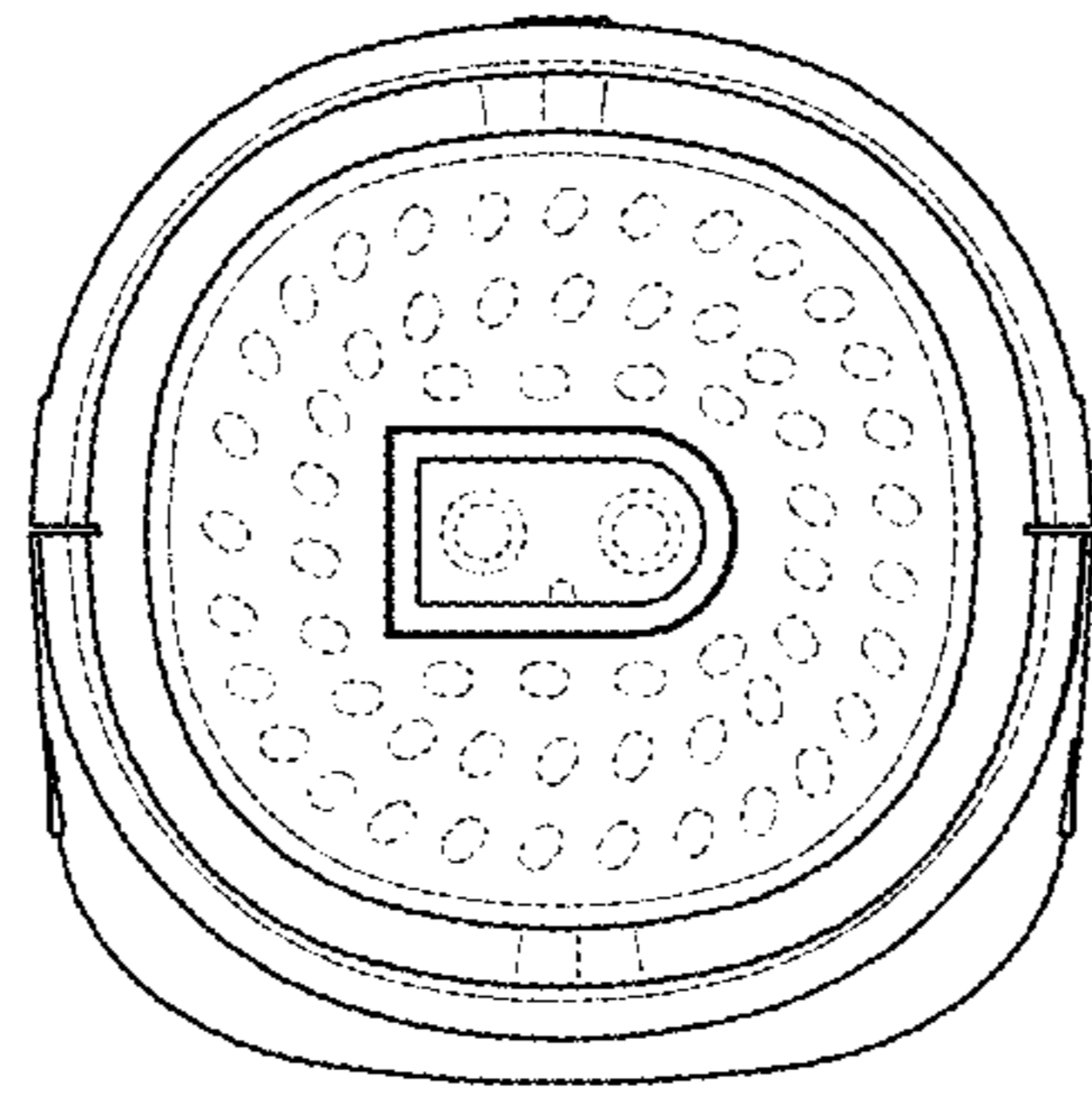


FIG. 7