



US00D976489S

(12) **United States Design Patent** (10) **Patent No.:** **US D976,489 S**
Goeder et al. (45) **Date of Patent:** **** Jan. 24, 2023**

(54) **HANDLE FOR A SHAVING RAZOR**
(71) Applicant: **The Gillette Company LLC**, Boston, MA (US)
(72) Inventors: **Philipp Goeder**, Frankfurt (DE); **Christopher Ramm**, North Attleboro, MA (US); **Brian Patrick Watson**, Marshfield, MA (US); **Vanessa Christie**, Boston, MA (US)

D463,271 S 9/2002 Miranda
D472,152 S 3/2003 Joubert
6,792,682 B2 9/2004 Follo
6,868,610 B2 3/2005 Brandt
6,928,738 B2 8/2005 Segrea
D518,381 S 4/2006 Egawa
D555,834 S 11/2007 Rhoad et al.
D562,137 S 2/2008 Florio
D568,534 S 5/2008 Micinilio
D568,539 S 5/2008 Micinilio
D580,173 S 11/2008 Beedham

(Continued)

(73) Assignee: **The Gillette Company LLC**, Boston, MA (US)

FOREIGN PATENT DOCUMENTS

(**) Term: **15 Years**

WO 2019190911 A1 10/2019

(21) Appl. No.: **29/754,594**

OTHER PUBLICATIONS

(22) Filed: **Oct. 13, 2020**

All Office Actions; U.S. Appl. No. 29/730,919.

(Continued)

Related U.S. Application Data

(62) Division of application No. 29/729,134, filed on Mar. 24, 2020, now Pat. No. Des. 902,485, which is a division of application No. 29/642,529, filed on Mar. 30, 2018, now Pat. No. Des. 882,873.

Primary Examiner — Jennifer Rivard

(74) *Attorney, Agent, or Firm* — Joanne N. Pappas

(51) **LOC (14) Cl.** **28-03**

(57) **CLAIM**

The ornamental design for a handle for a shaving razor, as shown and described.

(52) **U.S. Cl.**
USPC **D28/48**

DESCRIPTION

(58) **Field of Classification Search**
USPC D28/46–48
CPC B26B 21/00–06; B26B 21/22–227; B26B 21/52–528; B26B 21/4068–4075
See application file for complete search history.

FIG. 1 is a front perspective view of a design of a handle for a shaving razor of the present invention;
FIG. 2 is a front view thereof;
FIG. 3 is a back view thereof;
FIG. 4 is a right side view thereof;
FIG. 5 is a left side view thereof;
FIG. 6 is a top view thereof;
FIG. 7 is a bottom view thereof; and,
FIG. 8 is a rear perspective view thereof.

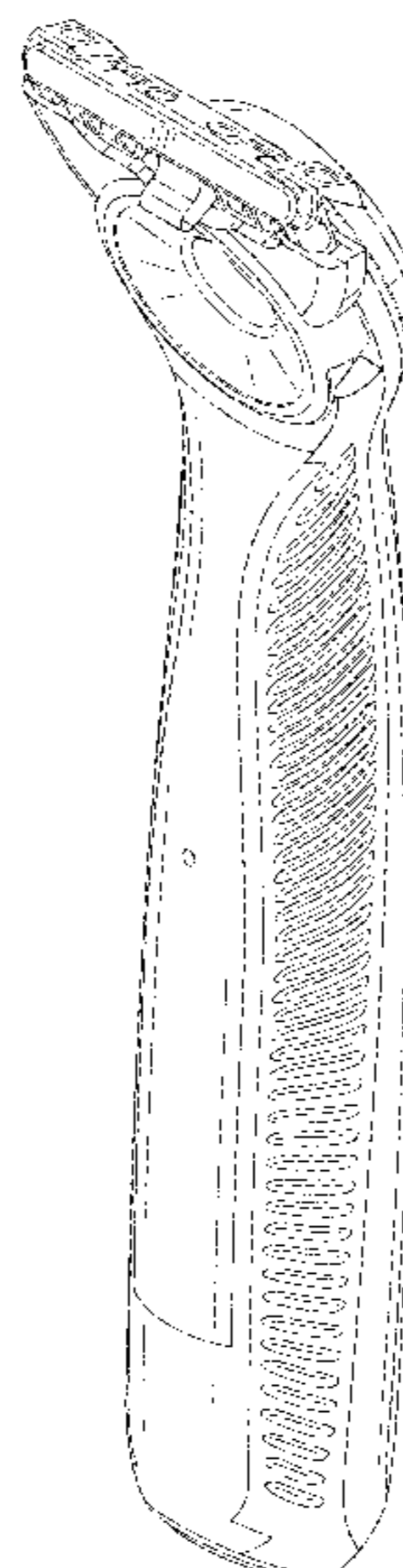
The broken lines illustrate a portion of the handle for a shaving razor and form no part of the claimed design.

(56) **References Cited**

U.S. PATENT DOCUMENTS

D254,692 S 4/1980 Del
D255,654 S 7/1980 Goss
D285,655 S 9/1986 MacLaughlin et al.
D430,793 S 9/2000 Baron
D437,548 S 2/2001 Desgrippes et al.

1 Claim, 6 Drawing Sheets



(56)

References Cited

U.S. PATENT DOCUMENTS

D591,451 S 4/2009 Micinilio
 D600,408 S 9/2009 Micinilio
 D604,906 S 11/2009 Stowers
 D615,404 S 5/2010 Pitzer et al.
 D616,607 S 5/2010 Ramm
 D625,468 S 10/2010 Rhoad
 D633,254 S 2/2011 Witkus
 D636,531 S 4/2011 Wilson
 D644,532 S 9/2011 Hodges et al.
 D649,712 S 11/2011 Pan
 D652,990 S 1/2012 Strickland
 D652,991 S 1/2012 Cavazos
 D655,134 S 3/2012 Gilbert
 D655,449 S 3/2012 Pan
 D656,676 S 3/2012 Cavazos
 D659,285 S 5/2012 Lukan
 D659,286 S 5/2012 Lukan
 D660,516 S 5/2012 Christie
 D661,425 S 6/2012 Cataudella
 D661,426 S 6/2012 Wain
 D675,378 S 1/2013 Boulanger
 8,448,339 B2 5/2013 Walker, Jr.
 D684,060 S 6/2013 Hodges
 D699,395 S 2/2014 Bae
 D700,995 S 3/2014 Lee
 D700,996 S 3/2014 Lee
 8,782,904 B2 7/2014 Wain
 D714,644 S 10/2014 Wagner et al.
 D724,269 S 3/2015 Szczepanowski
 D724,270 S 3/2015 Sims
 D725,968 S 4/2015 George
 D729,585 S 5/2015 Boroski
 D752,868 S 4/2016 Mcgarry et al.
 D779,124 S 2/2017 Houyoux
 D791,485 S 7/2017 Mcgarry et al.
 D798,438 S 9/2017 Engelhard et al.
 D801,696 S 11/2017 Mcgarry et al.
 D802,842 S 11/2017 Ngo
 9,908,250 B2 3/2018 Hodgson
 9,912,087 B2 3/2018 Broemse
 D814,195 S 4/2018 Sikora et al.
 D816,271 S 4/2018 Huang
 D818,196 S 5/2018 Szymanski
 D822,901 S 7/2018 Shin
 D827,813 S 9/2018 Copland et al.
 D828,625 S 9/2018 Forti
 D837,452 S 1/2019 Goeder
 D839,477 S 1/2019 Hodgson
 D842,543 S 3/2019 Ramm
 D842,544 S 3/2019 Ramm
 D844,899 S 4/2019 Ahn
 D844,997 S 4/2019 Au et al.
 D845,636 S 4/2019 Porter et al.
 D846,387 S 4/2019 Staab
 D855,253 S 7/2019 Han
 D874,061 S 1/2020 Verasamy et al.
 D879,375 S 3/2020 Go et al.
 D880,063 S 3/2020 Ramm

D881,584 S 4/2020 Porter et al.
 D882,175 S 4/2020 Riehle et al.
 D882,873 S 4/2020 Goeder et al.
 D887,642 S 6/2020 Hodgson
 D888,339 S 6/2020 Go et al.
 D899,689 S 10/2020 Kong
 D902,485 S 11/2020 Goeder et al.
 D911,607 S 2/2021 Mcgarry et al.
 D912,324 S 3/2021 Han et al.
 D912,326 S 3/2021 Goeder et al.
 D914,289 S 3/2021 Goeder et al.
 D921,294 S 6/2021 Mcgarry et al.
 D929,040 S 8/2021 Shin
 D932,906 S 10/2021 Schulz
 D933,295 S 10/2021 Washington et al.
 D939,773 S 12/2021 Kim
 D945,064 S 3/2022 Lee et al.
 D945,068 S 3/2022 Lee
 2004/0226178 A1 11/2004 Lukan et al.
 2008/0101850 A1 5/2008 Wojcik et al.
 2013/0291390 A1 11/2013 Gajria et al.
 2017/0112002 A1 4/2017 Behrendt
 2017/0264036 A1 9/2017 Broemse
 2017/0374710 A1 12/2017 Heubach
 2018/0159252 A1 6/2018 Broemse
 2018/0222070 A1 8/2018 Burrowes
 2018/0326605 A1 11/2018 Khubani
 2018/0370052 A1 12/2018 Zaremba et al.
 2019/0299446 A1 10/2019 Washington et al.
 2019/0299455 A1 10/2019 Patel et al.
 2019/0299459 A1 10/2019 Patel
 2019/0299463 A1 10/2019 Patel et al.
 2019/0299465 A1 10/2019 Gester et al.
 2019/0299477 A1 10/2019 Johnson et al.
 2019/0358836 A1* 11/2019 Maimone B26B 21/225
 2020/0070374 A1 3/2020 Long et al.
 2020/0070375 A1 3/2020 Hurtado et al.
 2020/0178669 A1 6/2020 Johnson et al.
 2022/0001559 A1 1/2022 Hiller et al.
 2022/0193939 A1* 6/2022 Galanis B26B 21/4018
 2022/0258366 A1* 8/2022 Johnson B26B 21/521
 2022/0281127 A1* 9/2022 Patel B26B 21/4012

OTHER PUBLICATIONS

All Office Actions; U.S. Appl. No. 29/735,651.
 All Office Actions; U.S. Appl. No. 29/642,548, filed Mar. 30, 2018.
 All Office Actions; U.S. Appl. No. 29/779,865, filed Apr. 21, 2021.
 All Office Actions, U.S. Appl. No. 29/642,527.
 All Office Actions, U.S. Appl. No. 29/642,529.
 All Office Actions, U.S. Appl. No. 29/729,134.
 All Office Actions, U.S. Appl. No. 29/642,528.
 All Office Actions, U.S. Appl. No. 29/741,898.
 All Office Actions, U.S. Appl. No. 29/768,838.
 All Office Actions, U.S. Appl. No. 29/768,839.
 All Office Actions; U.S. Appl. No. 29/849,947, filed Aug. 16, 2022.
 Introducing Gillette Labs with Exfoliating Bar—YouTube, published on Nov. 22, 2021, retrieved on Dec. 16, 2021, retrieved from the Internet URL: <https://www.youtube.com/watch?v=eDtPFxQINUQ>.

* cited by examiner

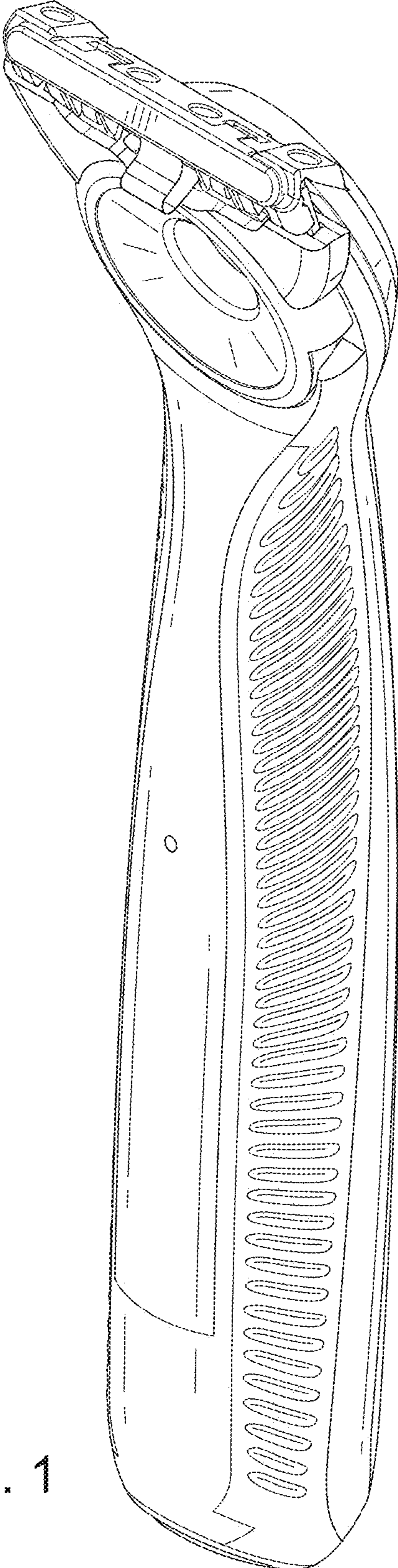


FIG. 1

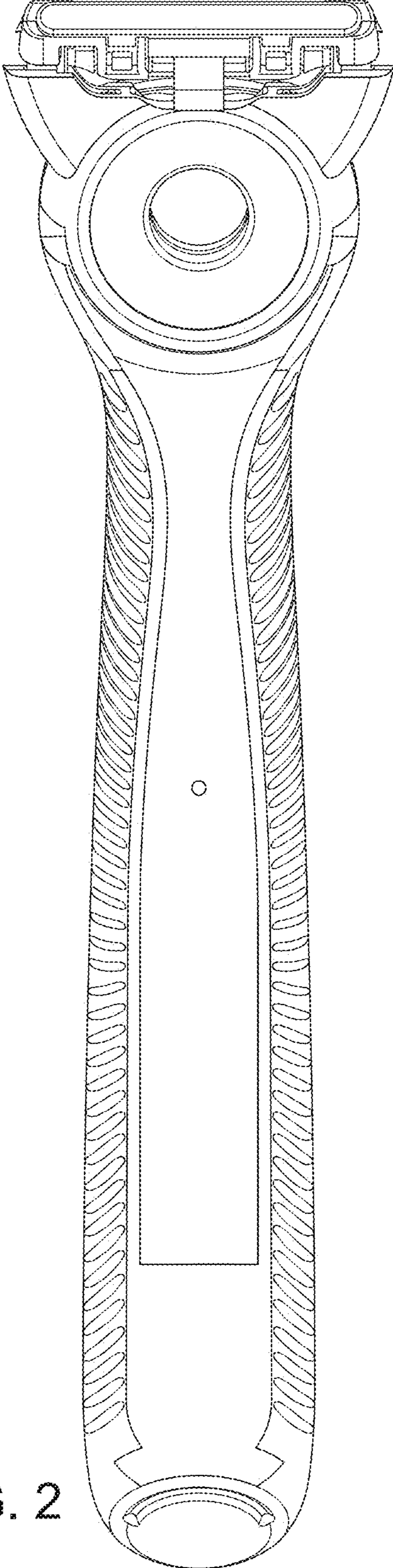


FIG. 2

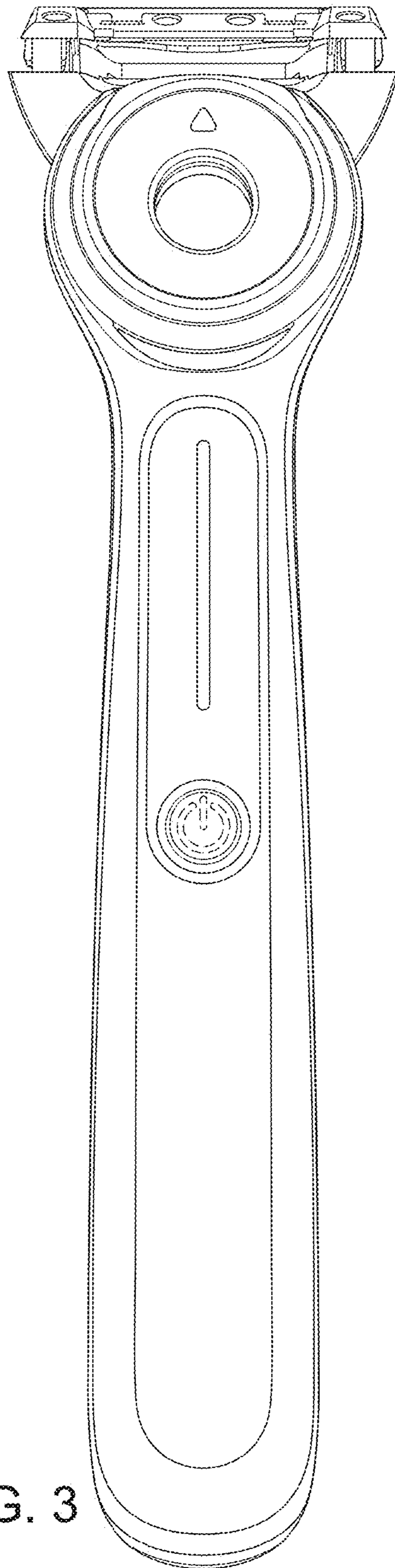


FIG. 3

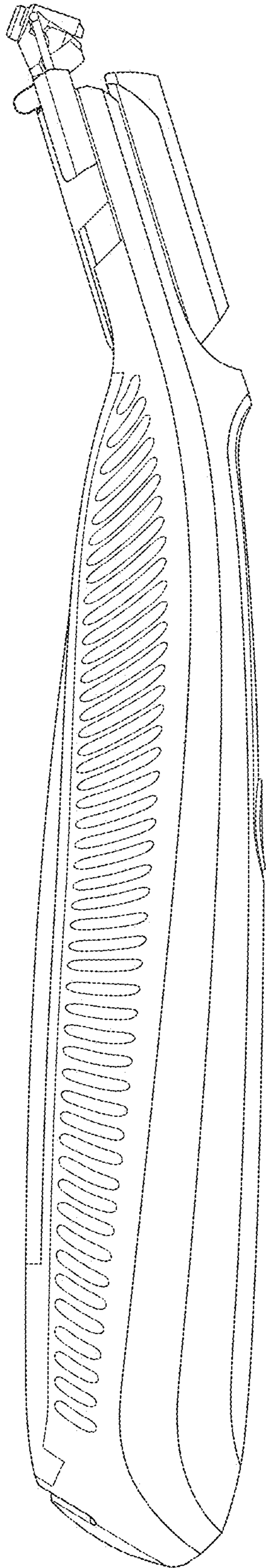


FIG. 4

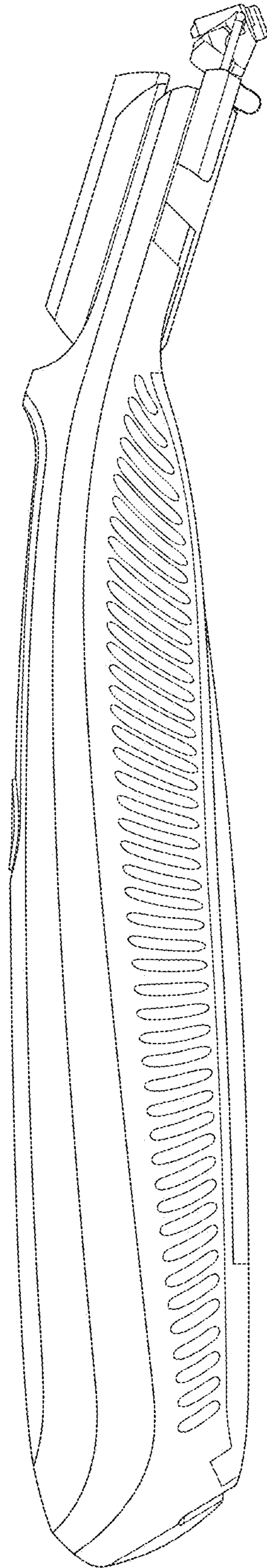


FIG. 5

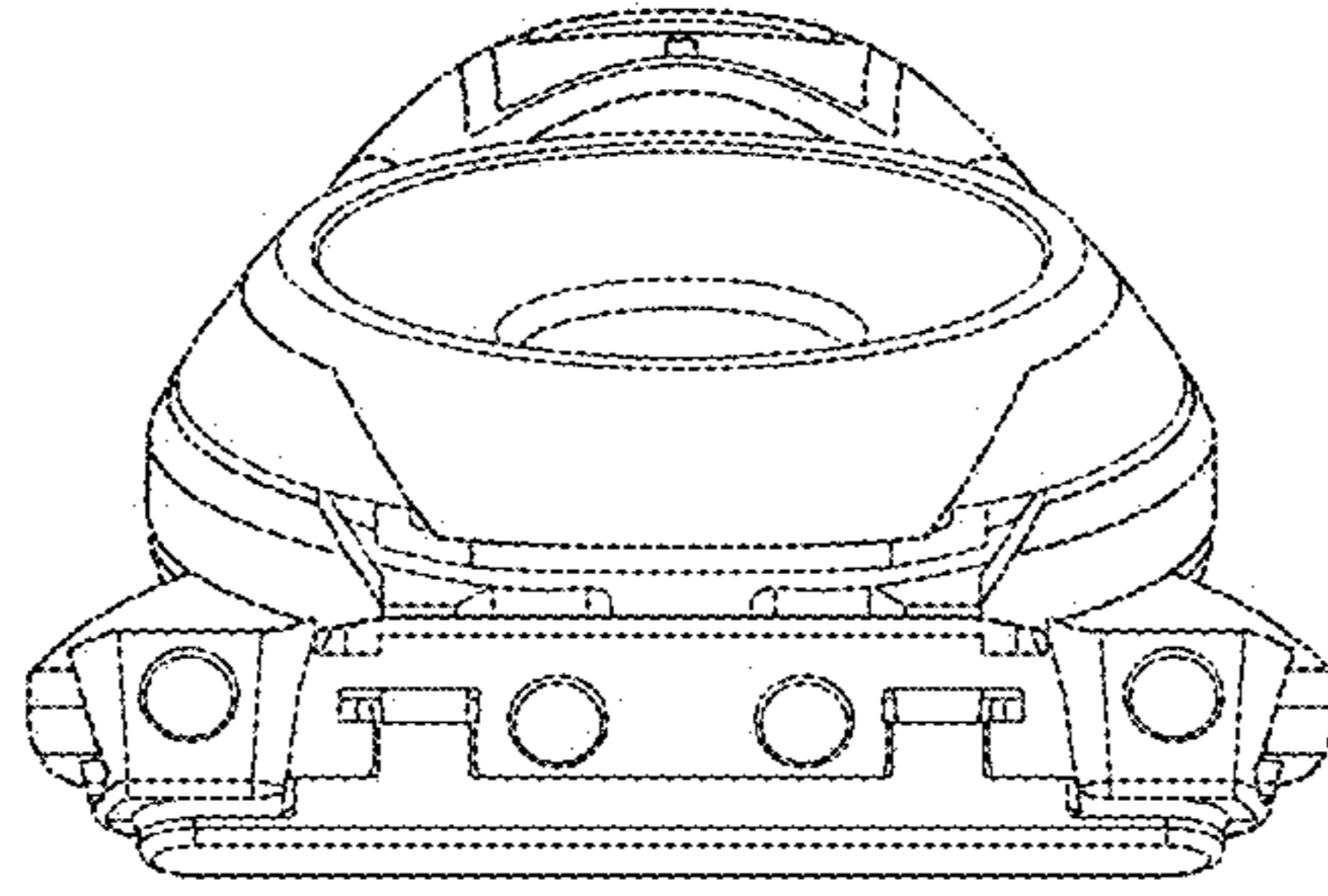


FIG. 6

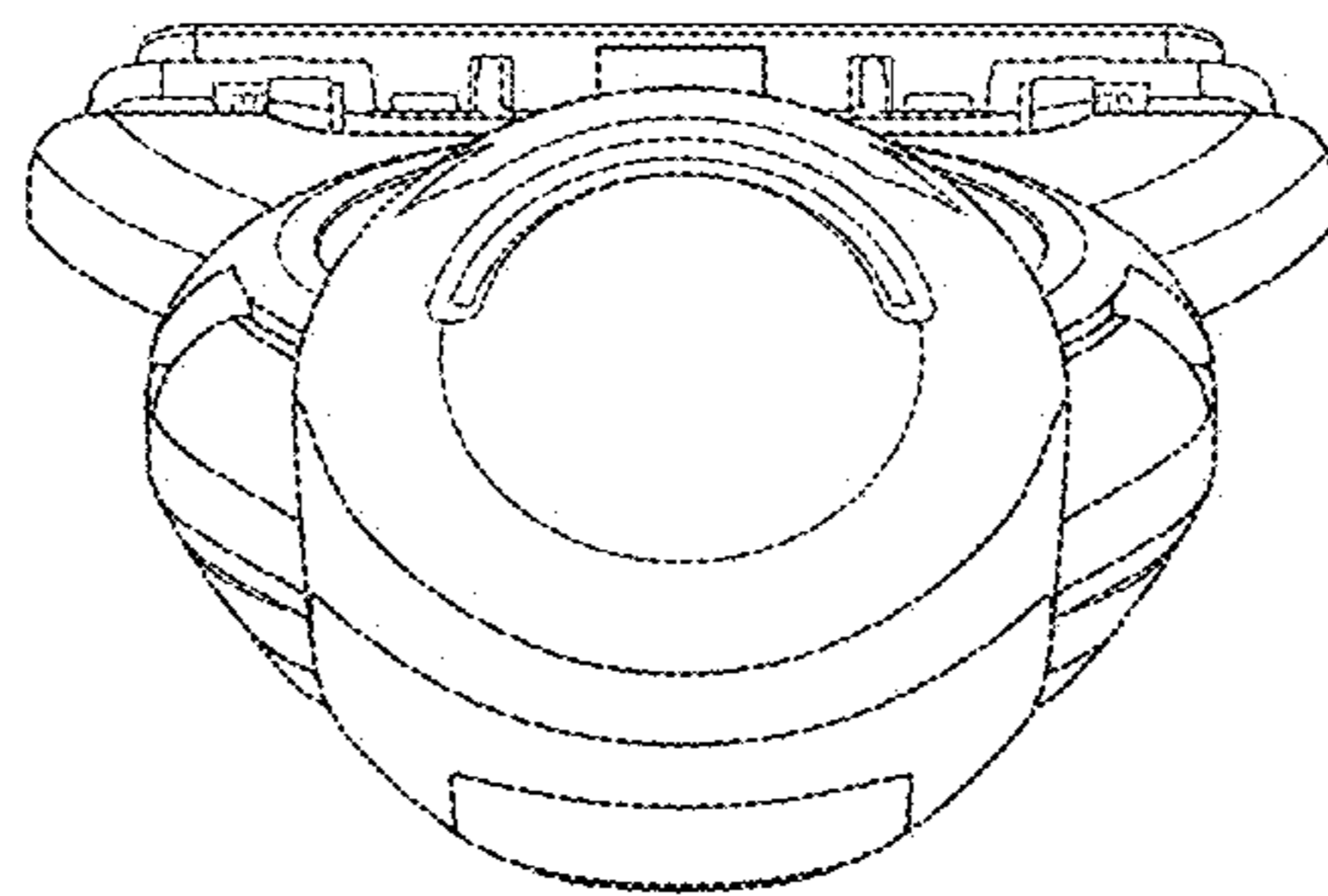


FIG. 7

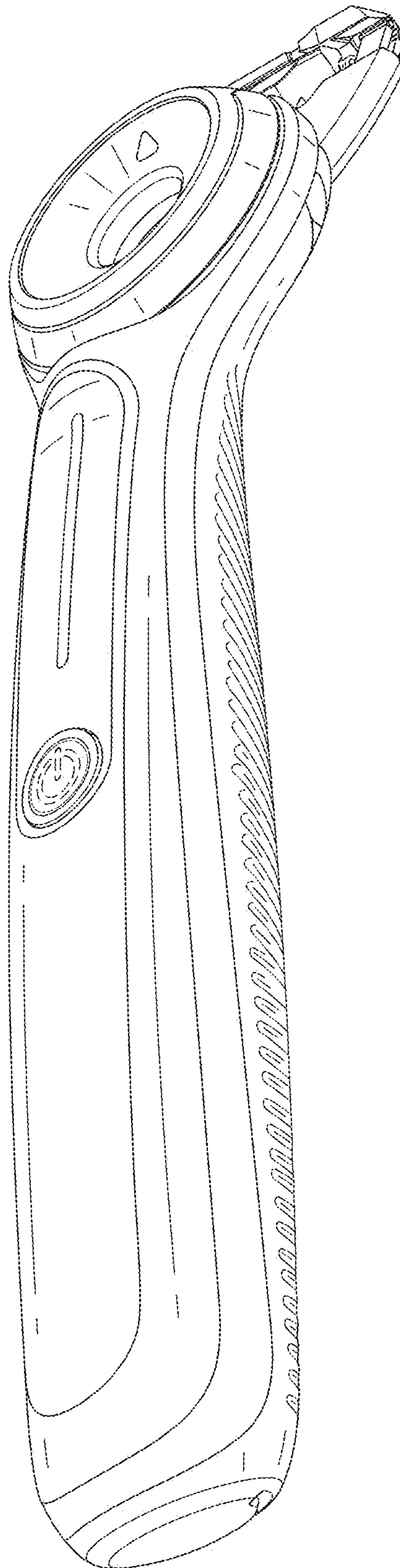


FIG. 8