

US00D976488S

(12) **United States Design Patent**  
**Washington**

(10) **Patent No.:** **US D976,488 S**

(45) **Date of Patent:** **\*\* Jan. 24, 2023**

(54) **SHAVING CARTRIDGE LUBRICATION STRIP**

(71) Applicant: **The Gillette Company LLC**, Boston, MA (US)

(72) Inventor: **Jack Anthony Washington**, Mendon, MA (US)

(73) Assignee: **The Gillette Company LLC**, Boston, MA (US)

(\*\*) Term: **15 Years**

(21) Appl. No.: **29/768,495**

(22) Filed: **Jan. 29, 2021**

(51) **LOC (14) Cl.** ..... **28-03**

(52) **U.S. Cl.**  
USPC ..... **D28/47**

(58) **Field of Classification Search**  
USPC ..... D28/46-48; D25/119, 136  
CPC ..... B26B 21/00; B26B 21/08; B26B 21/22;  
B26B 21/40; B26B 21/44; B26B 21/443;  
B26B 21/446; B26B 21/4012; B26B  
21/4018; B26B 21/4025; B26B 19/40  
See application file for complete search history.

(56) **References Cited**

**U.S. PATENT DOCUMENTS**

D434,186	S *	11/2000	Garland	.....	D28/47
6,161,287	A *	12/2000	Swanson	.....	B26B 21/4012
					30/47
D436,691	S *	1/2001	Kwiecien	.....	D28/47
6,301,785	B1 *	10/2001	Kwiecien	.....	B26B 21/443
					30/41
6,349,471	B1 *	2/2002	Gruslin	.....	B26B 21/4068
					30/50
D456,563	S *	4/2002	Kwiecien	.....	D28/47
D601,754	S *	10/2009	Keene	.....	D28/47

D611,199	S *	3/2010	Kwiecien	.....	D28/47
7,805,846	B2 *	10/2010	Leventhal	.....	B26B 21/40
					30/526
D811,658	S *	2/2018	Cataudella	.....	D28/47
9,889,571	B2 *	2/2018	Nicholas	.....	B26B 21/443
10,960,562	B2 *	3/2021	Han	.....	B26B 21/40
2004/0118724	A1 *	6/2004	Leventhal	.....	B26B 21/40
					206/352
2004/0181943	A1 *	9/2004	Kwiecien	.....	B26B 21/44
					30/41
2010/0122463	A1 *	5/2010	Ndou	.....	B26B 21/443
					30/41
2010/0122464	A1 *	5/2010	Ndou	.....	B26B 21/4031
					30/41
2011/0232101	A1 *	9/2011	Park	.....	B26B 21/4018
					30/50
2013/0048005	A1 *	2/2013	Smith, III	.....	A45D 34/04
					132/200
2013/0111760	A1 *	5/2013	Coffin	.....	B26B 21/443
					30/41
2015/0040402	A1 *	2/2015	Carneiro	.....	B26B 21/443
					30/41

(Continued)

*Primary Examiner* — Alison M Ofstun

(74) *Attorney, Agent, or Firm* — John M. Lipchitz

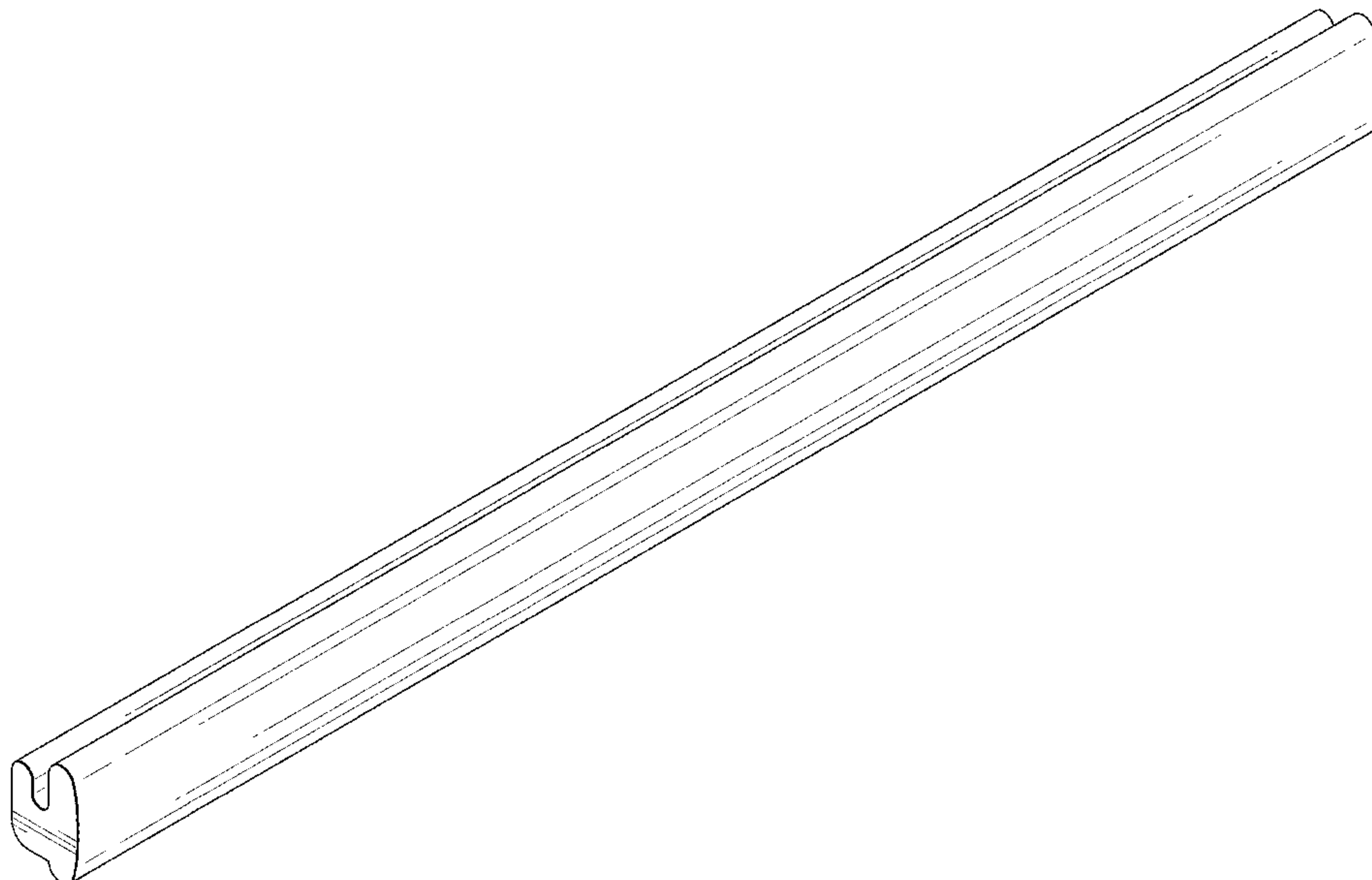
(57) **CLAIM**

The ornamental design for a shaving cartridge lubrication strip, as shown and described.

**DESCRIPTION**

FIG. 1 is a top perspective view of a design of a shaving cartridge lubrication strip showing my new design;  
FIG. 2 is a front view thereof;  
FIG. 3 is a rear view thereof;  
FIG. 4 is a right side view thereof;  
FIG. 5 is a left side view thereof;  
FIG. 6 is a top view thereof;  
FIG. 7 is a bottom view thereof; and,  
FIG. 8 is bottom perspective view thereof.

**1 Claim, 4 Drawing Sheets**



(56)

**References Cited**

U.S. PATENT DOCUMENTS

2015/0273709 A1\* 10/2015 Carneiro ..... B26B 21/4018  
30/41  
2016/0354940 A1\* 12/2016 Bozikis ..... B26B 21/4012  
2022/0241995 A1\* 8/2022 Washington ..... B26B 21/4012

\* cited by examiner

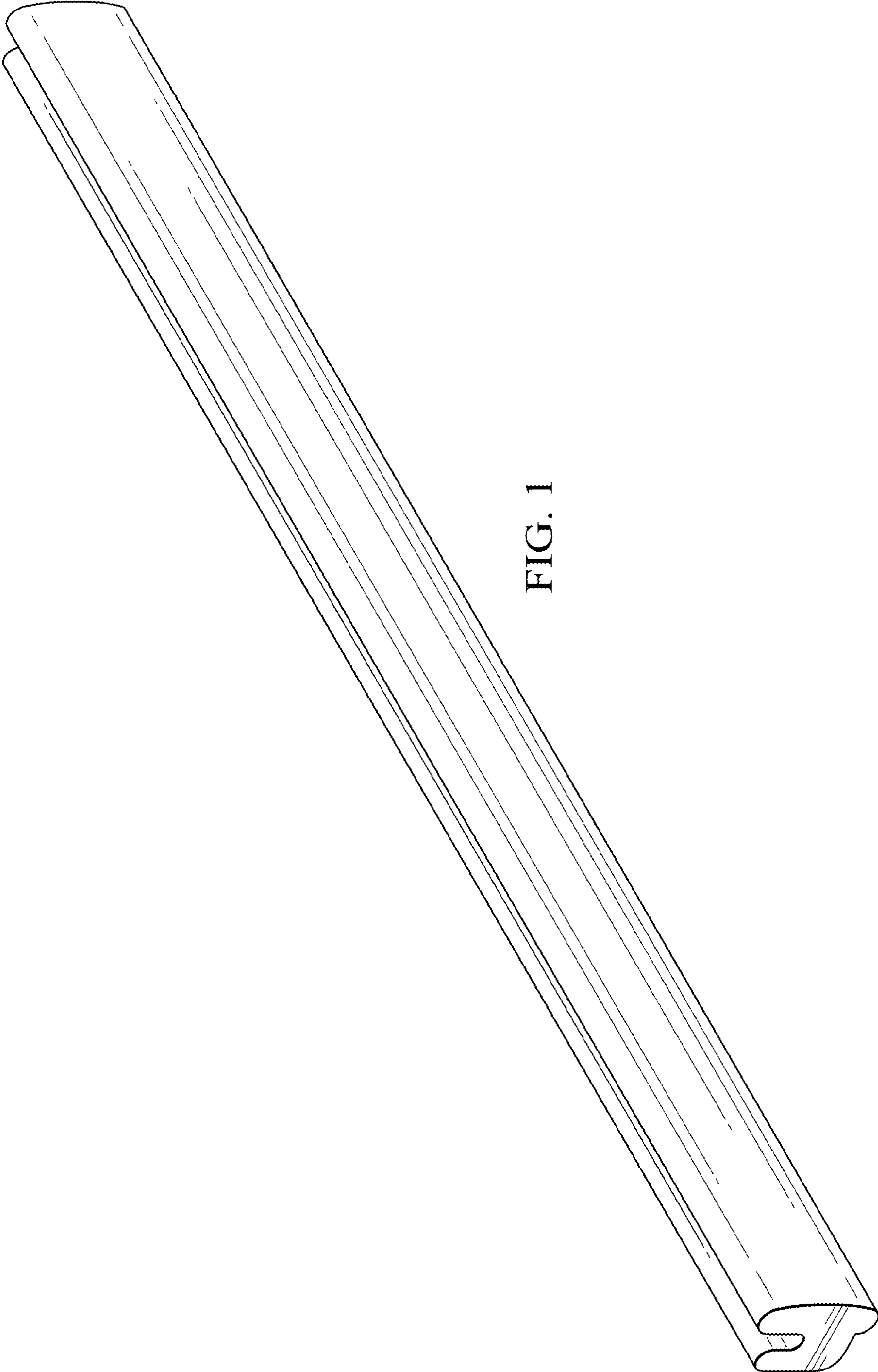


FIG. 1

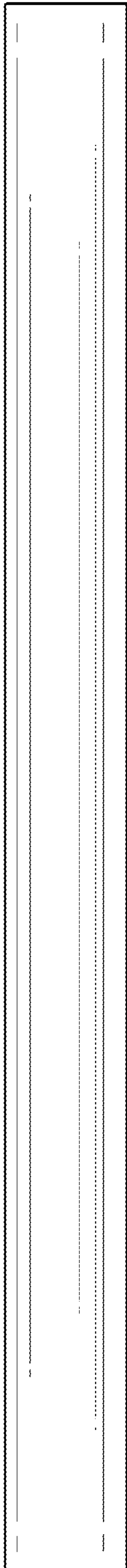


FIG. 2

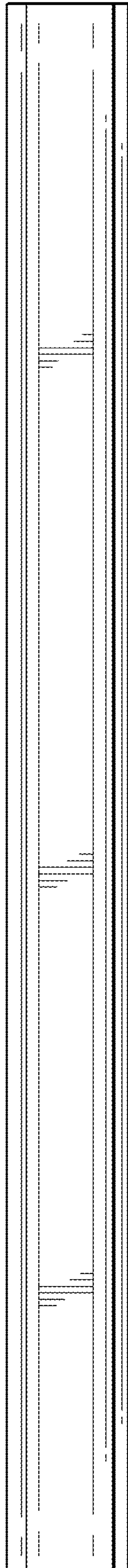


FIG. 3

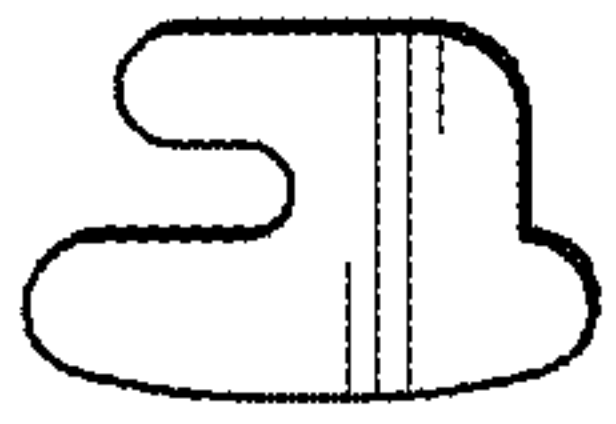


FIG. 4

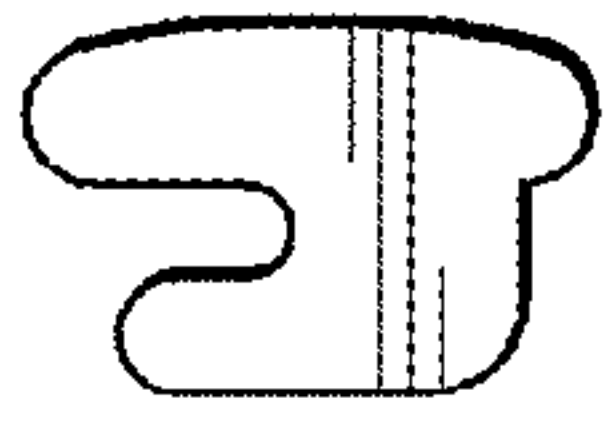


FIG. 5

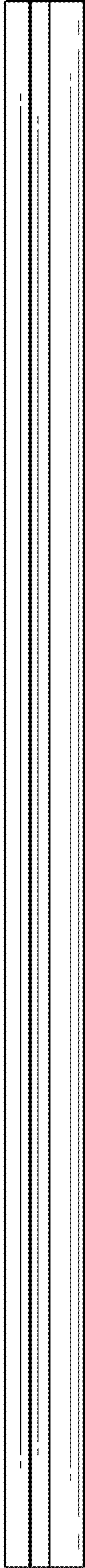


FIG. 6

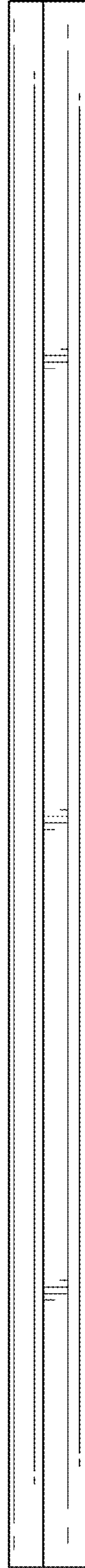


FIG. 7



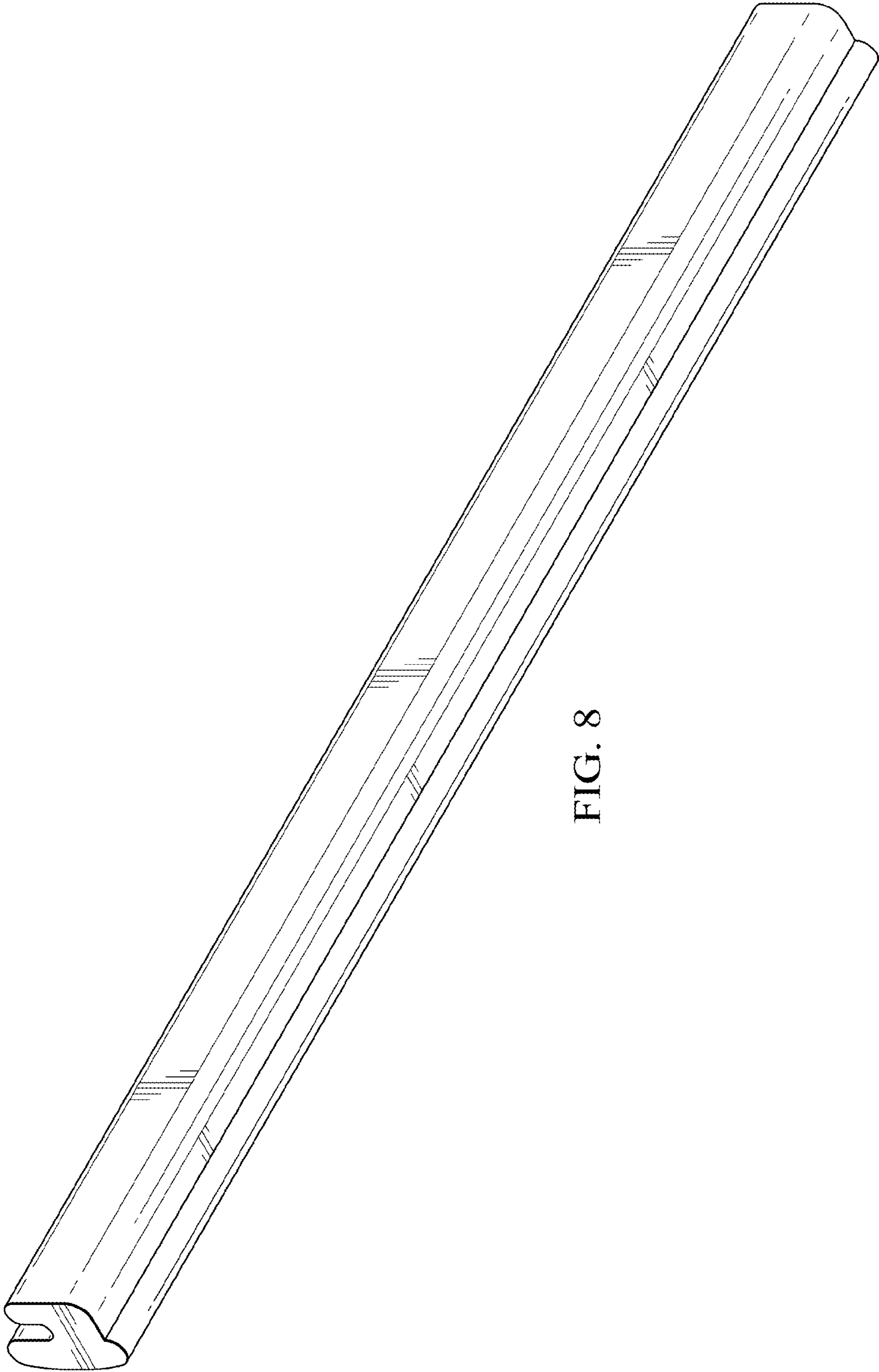


FIG. 8