



US00D976487S

(12) **United States Design Patent**
Hsu

(10) **Patent No.:** **US D976,487 S**
(45) **Date of Patent:** **** Jan. 24, 2023**

- (54) **HAIR CLIP**
- (71) Applicant: **Kuo-Yang Hsu**, Tainan (TW)
- (72) Inventor: **Kuo-Yang Hsu**, Tainan (TW)
- (**) Term: **15 Years**
- (21) Appl. No.: **29/771,068**
- (22) Filed: **Feb. 19, 2021**
- (51) **LOC (14) Cl.** **28-03**
- (52) **U.S. Cl.**
USPC **D28/40**
- (58) **Field of Classification Search**
USPC D28/39, 40, 42, 43
CPC . A45D 8/00; A45D 8/002; A45D 8/14; A45D
8/16; A45D 8/18; A45D 8/20; A45D
8/22; A45D 8/24; A45D 8/30
See application file for complete search history.

2009/0229626	A1*	9/2009	Hsu	A45D 8/24 132/277
2012/0048292	A1*	3/2012	Tokko	A45D 8/20 132/277
2018/0168312	A1*	6/2018	Tsai	A45D 8/30
2020/0375333	A1*	12/2020	Kim	A45D 8/22
2021/0022470	A1*	1/2021	Chu	A45D 8/30

* cited by examiner

Primary Examiner — Zenia I Bennett

(74) *Attorney, Agent, or Firm* — Alan D. Kamrath; Karin L. Williams; Mayer & Williams PC

(57) **CLAIM**

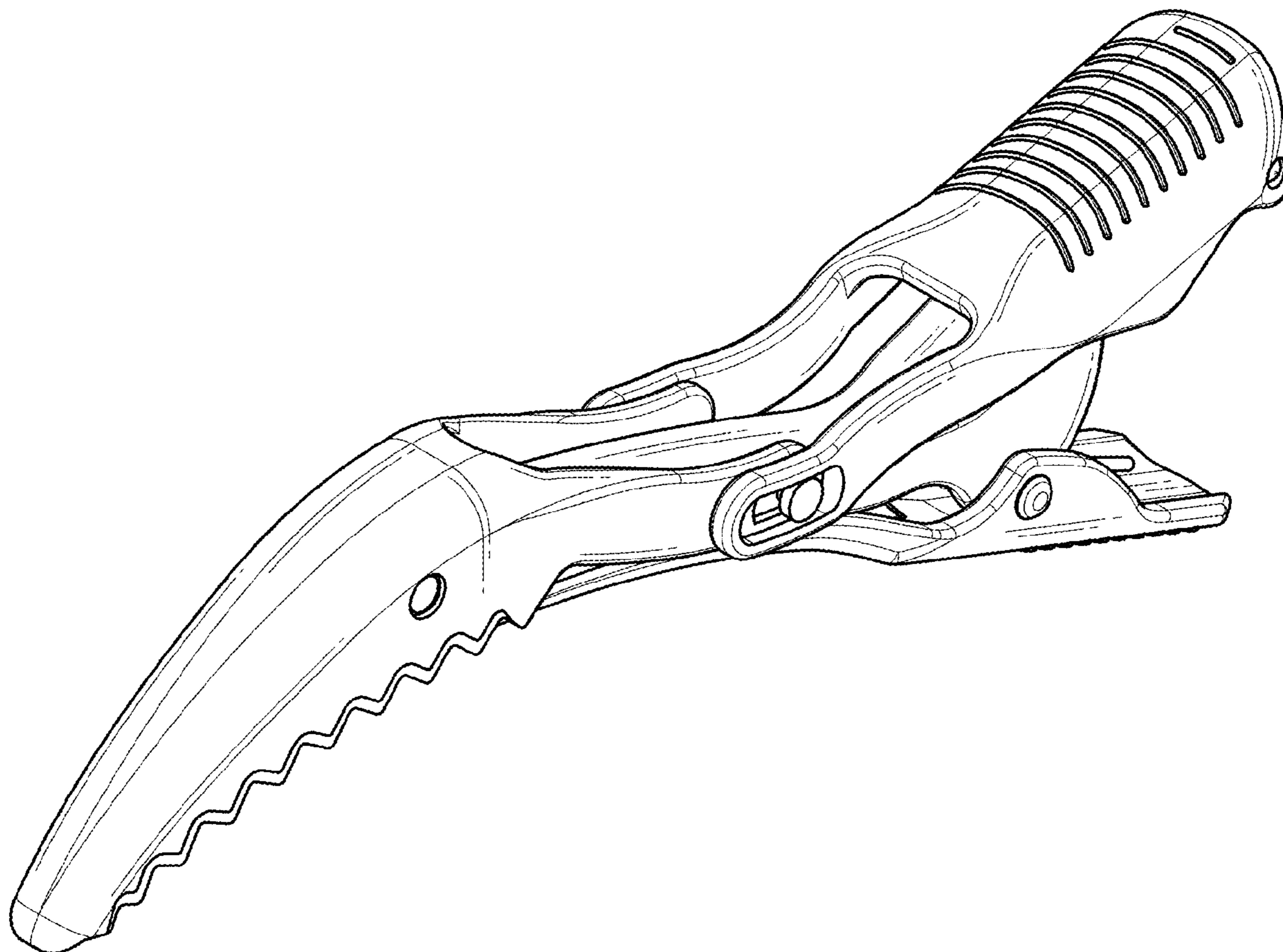
The ornamental design for the hair clip, as shown and described.

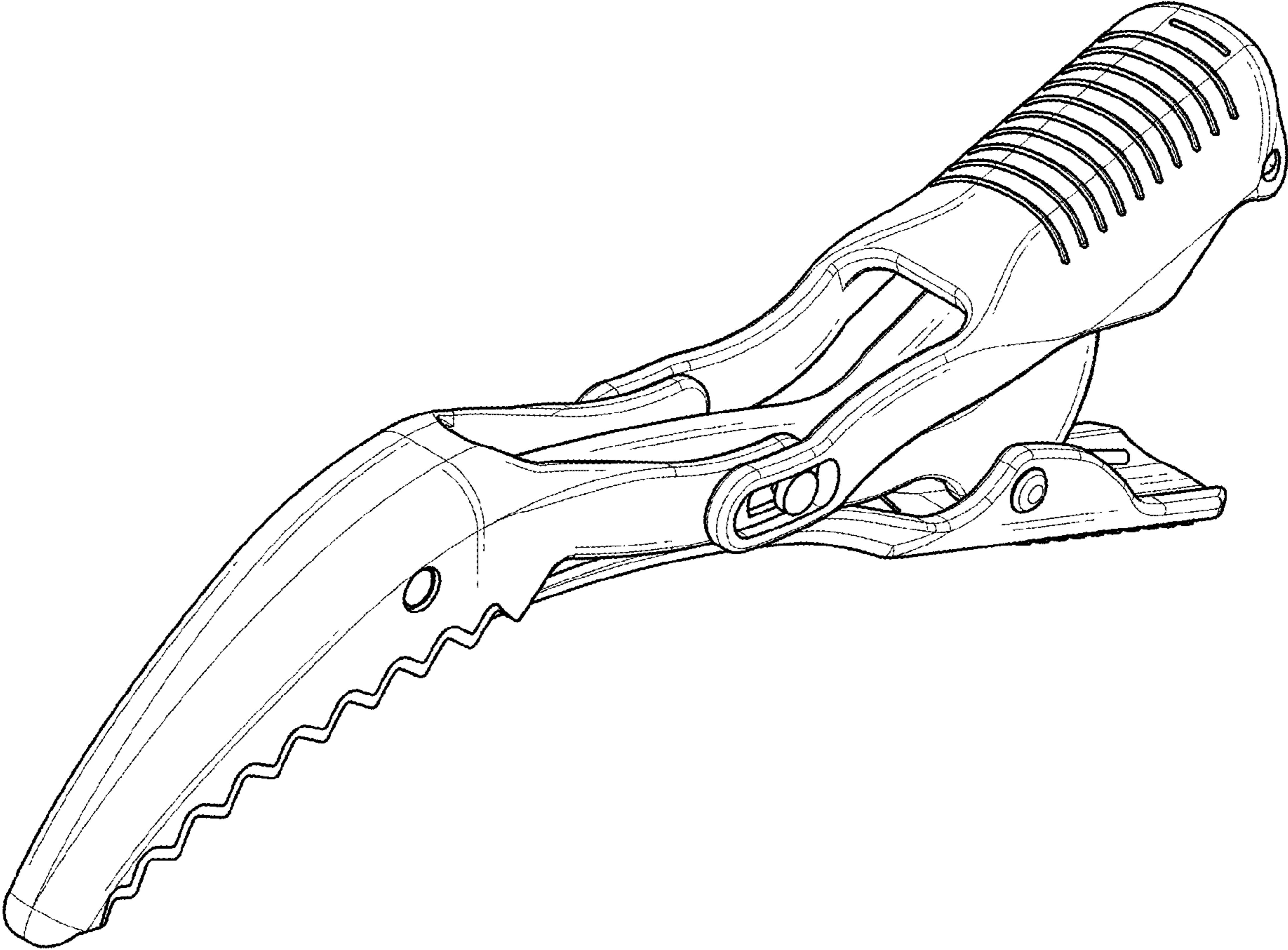
DESCRIPTION

FIG. 1 is a perspective view of a guide for the hair clip showing my new design;
 FIG. 2 is a front elevational view thereof;
 FIG. 3 is a rear elevational view thereof;
 FIG. 4 is a left side elevational view thereof;
 FIG. 5 is a right side elevational view thereof;
 FIG. 6 is a top plan view thereof; and,
 FIG. 7 is a bottom plan view thereof.

1 Claim, 7 Drawing Sheets

- (56) **References Cited**
U.S. PATENT DOCUMENTS
5,758,672 A * 6/1998 Chou A45D 8/20
132/277
9,032,973 B2 * 5/2015 Park A45D 8/24
132/277





F I G . 1

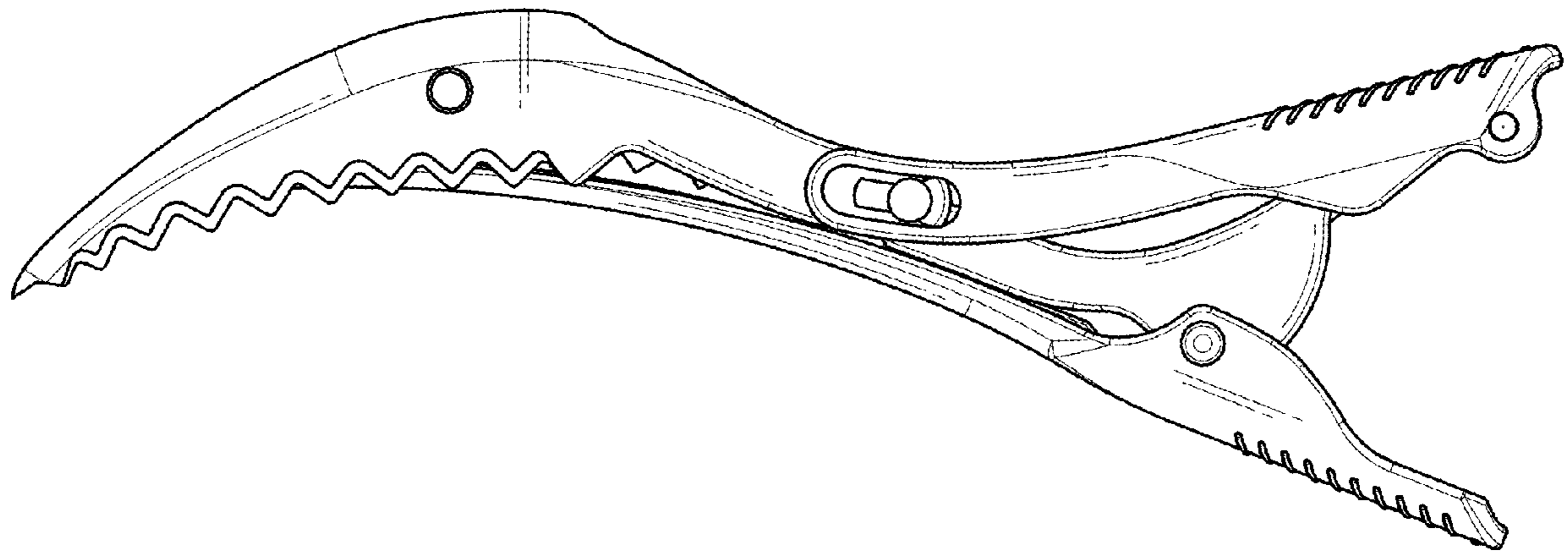


FIG. 2

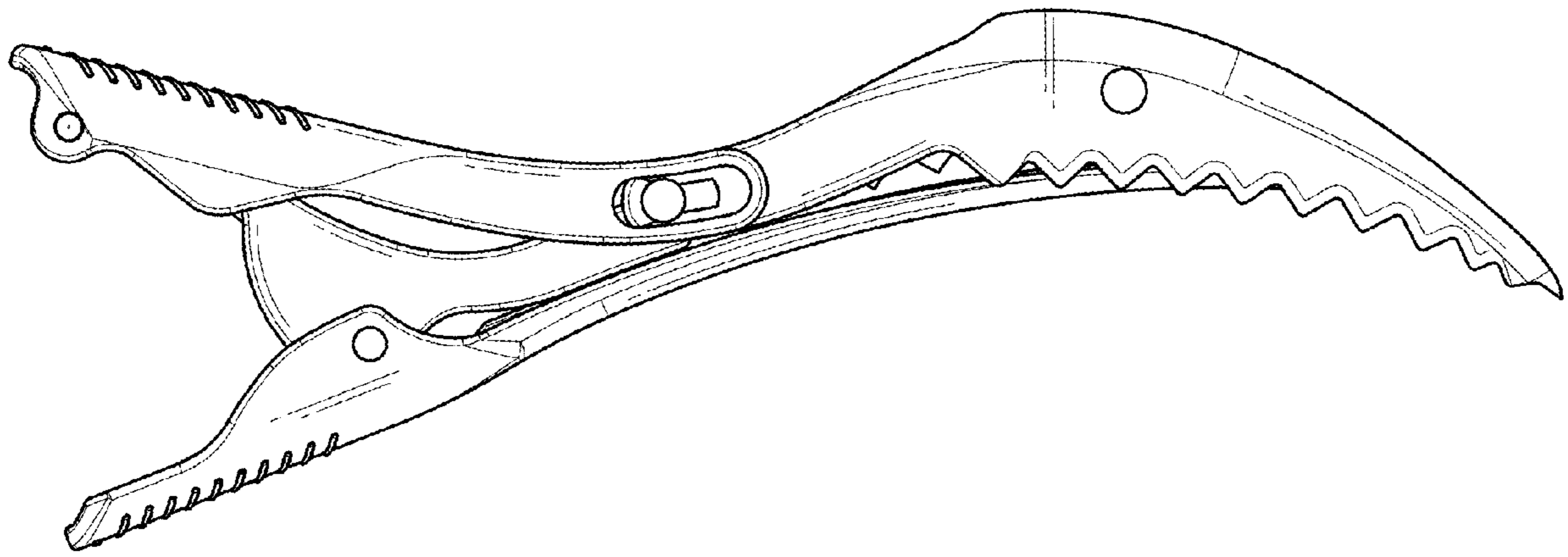
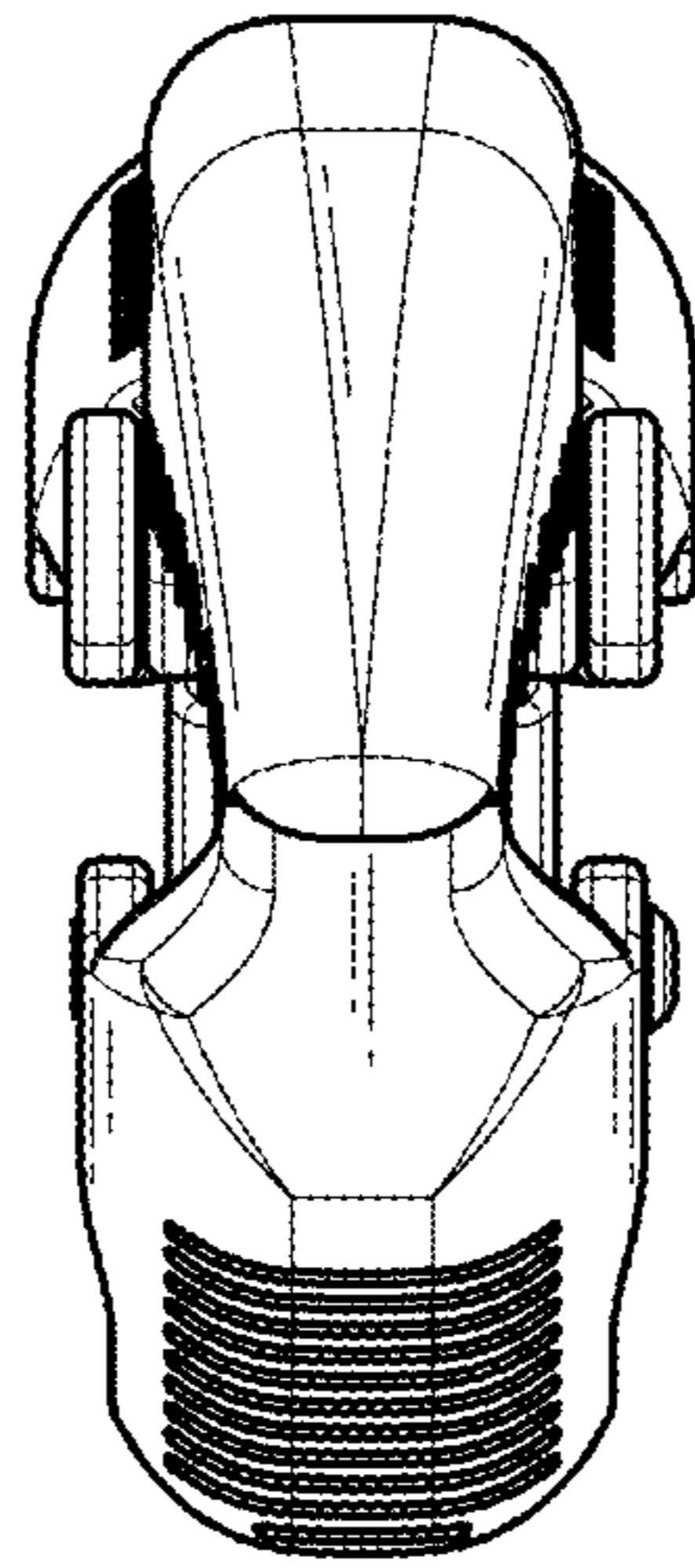
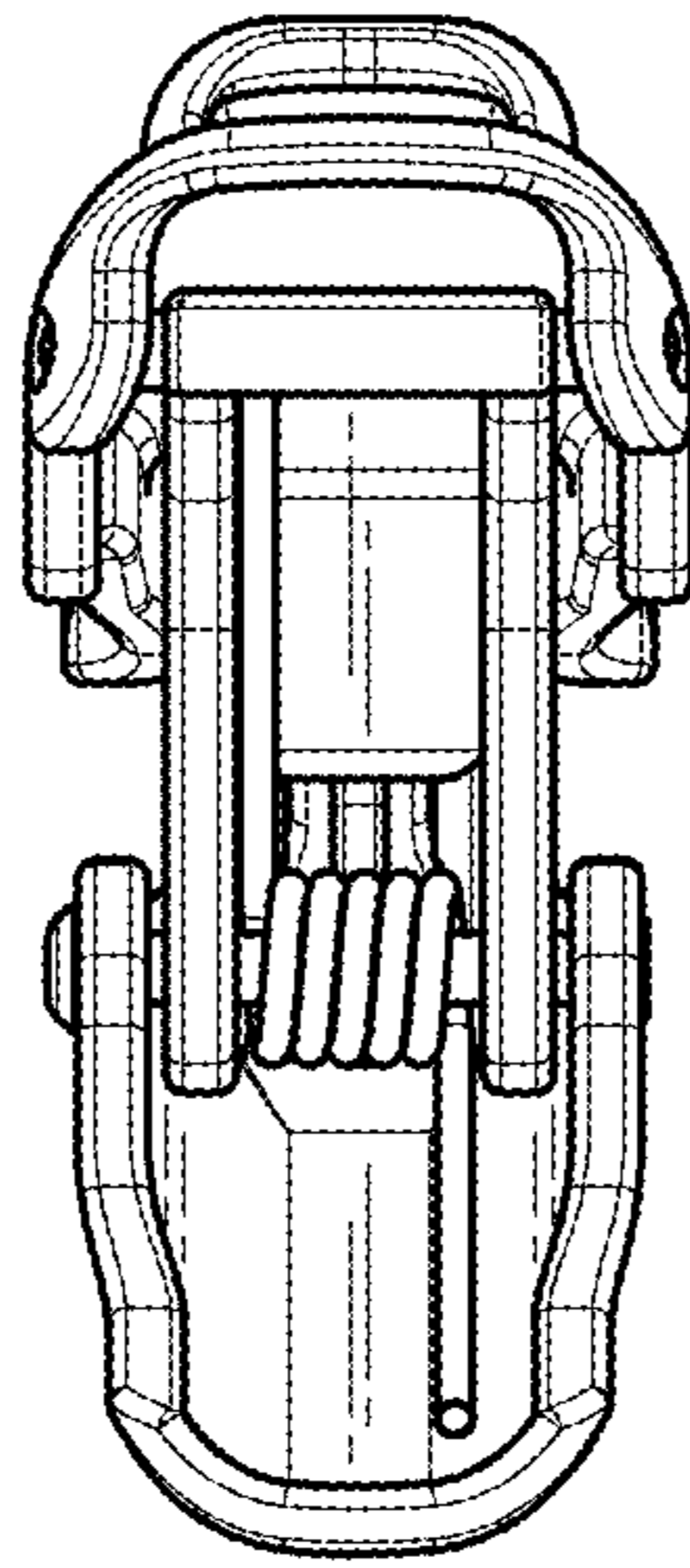


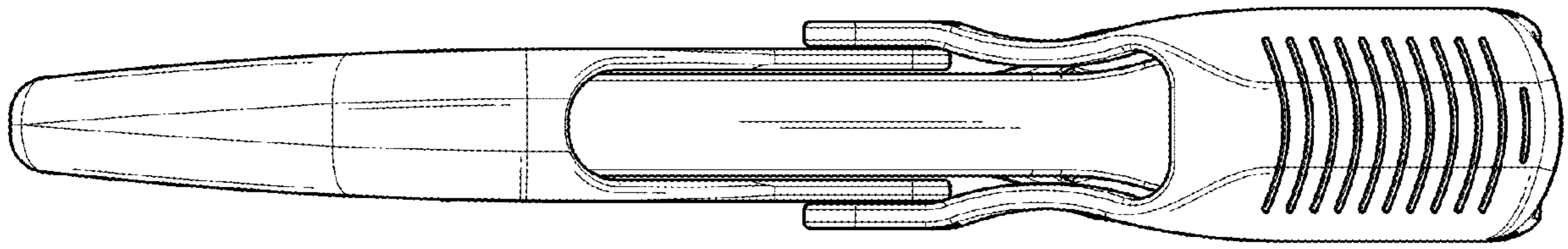
FIG. 3



F I G . 4



F I G . 5



F I G . 6

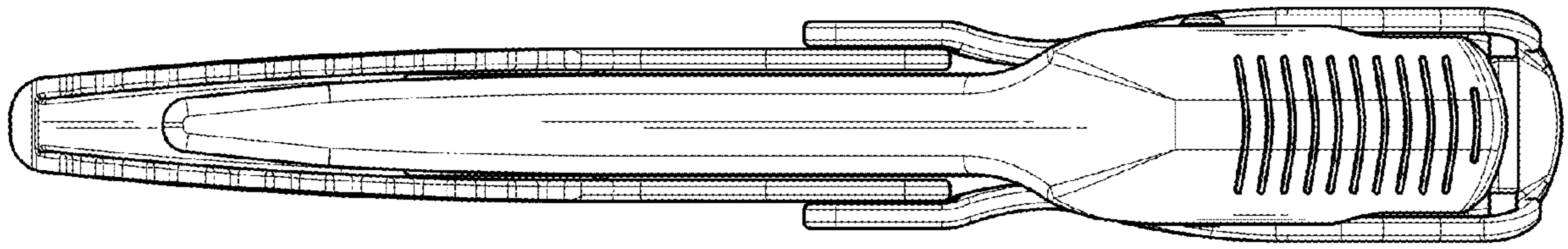


FIG. 7