



US00D976485S

(12) **United States Design Patent**
Nakaoka et al.

(10) **Patent No.:** **US D976,485 S**
(45) **Date of Patent:** **** Jan. 24, 2023**

- (54) **HAIR COLOR APPLICATOR**
- (71) Applicant: **KAO CORPORATION**, Tokyo (JP)
- (72) Inventors: **Shiho Nakaoka**, Tokyo (JP); **Yoichi Saito**, Tokyo (JP); **Tetsuya Asano**, Tokyo (JP)
- (73) Assignee: **KAO CORPORATION**, Tokyo (JP)
- (**) Term: **15 Years**
- (21) Appl. No.: **29/703,443**
- (22) Filed: **Aug. 27, 2019**

- (30) **Foreign Application Priority Data**
 - Feb. 28, 2019 (JP) 2019-004143
 - Feb. 28, 2019 (JP) 2019-004154
- (51) **LOC (14) Cl.** **28-03**
- (52) **U.S. Cl.** **D28/20**
USPC
- (58) **Field of Classification Search**
USPC D28/7, 20, 85, 99
CPC A45D 19/00; A45D 19/0008; A45D 19/0066; A45D 19/0075; A45D 19/0083; A45D 19/0091
See application file for complete search history.

- (56) **References Cited**
U.S. PATENT DOCUMENTS
 - D246,260 S * 11/1977 Forrester D28/7
 - D247,317 S * 2/1978 Mantelet D24/214
 - D285,172 S * 8/1986 Scuderi D28/7
 - D309,108 S * 7/1990 Tomasello D9/434
 - D355,729 S * 2/1995 Grimshaw D28/7
 - D418,247 S * 12/1999 Sussman D28/7

- D429,381 S * 8/2000 Pratt D28/58
- D443,720 S * 6/2001 Liljeblad D28/7
- D475,482 S * 6/2003 Angeletta D24/224

OTHER PUBLICATIONS

Japanese Office Action dated Jan. 10, 2020 in Japanese Patent Application No. 2019-004154, 2 pages.

* cited by examiner

Primary Examiner — Zenia I Bennett
(74) *Attorney, Agent, or Firm* — Oblon, McClelland, Maier & Neustadt, L.L.P.

(57) **CLAIM**

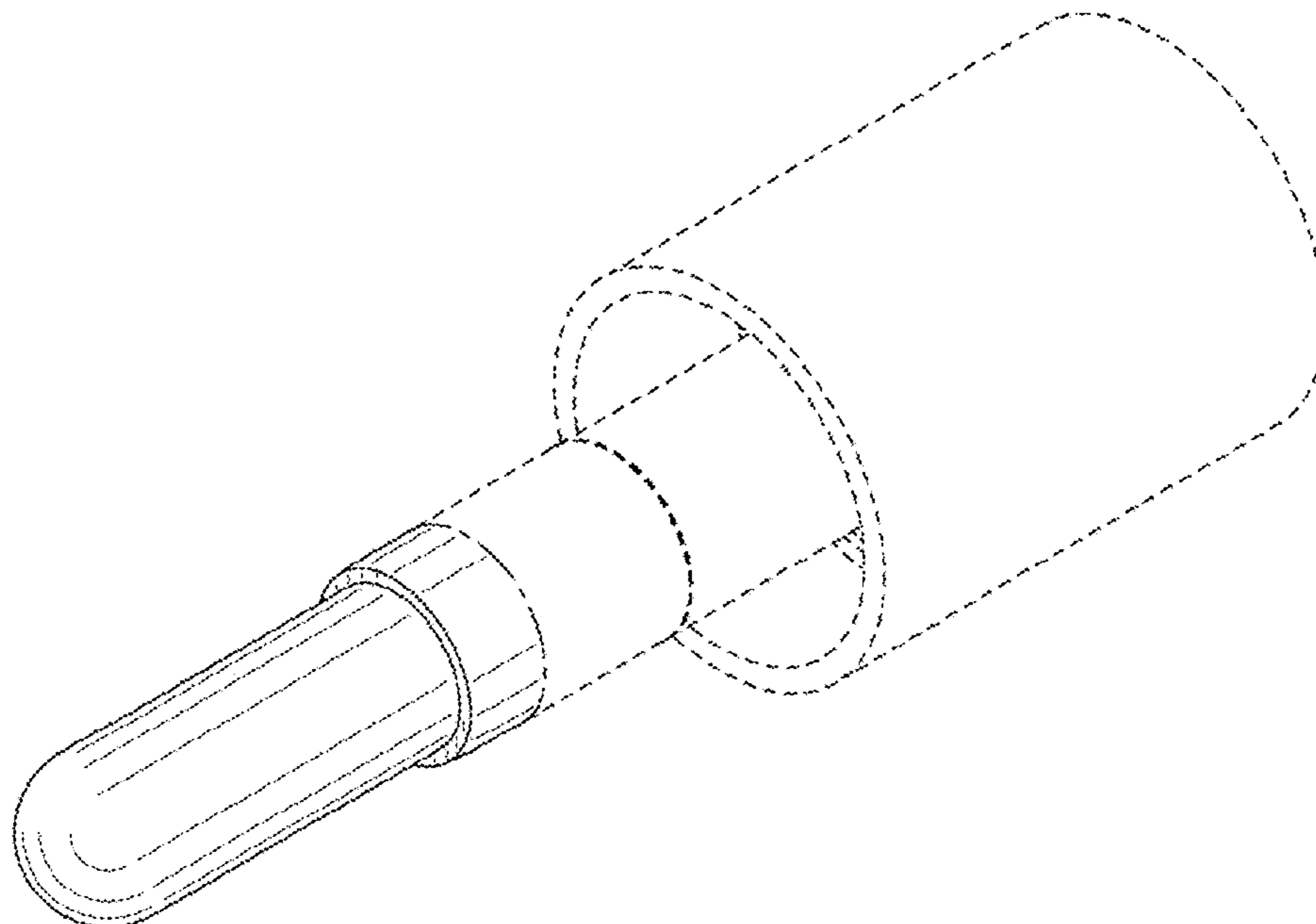
The ornamental design for a hair color applicator, as shown and described.

DESCRIPTION

FIG. 1 is a front, left side, top perspective view of a hair color applicator showing our new design; FIG. 2 is a front elevational view thereof; FIG. 3 is a rear elevational view thereof; FIG. 4 is a left side view thereof; FIG. 5 is a right side view thereof; FIG. 6 is a top plan view thereof; FIG. 7 is a bottom plan view thereof; FIG. 8 is a cross-sectional view thereof, taken in the direction of line 8-8 of FIG. 4; and, FIG. 9 is a reference perspective view of the embodiment thereof, indicating a rotating direction by arrows.

The portions depicted by broken lines are for illustrative purpose only and form no part of the claimed design. The long and short dashed lines illustrate a boundary of claimed design and unclaimed ones.

1 Claim, 5 Drawing Sheets



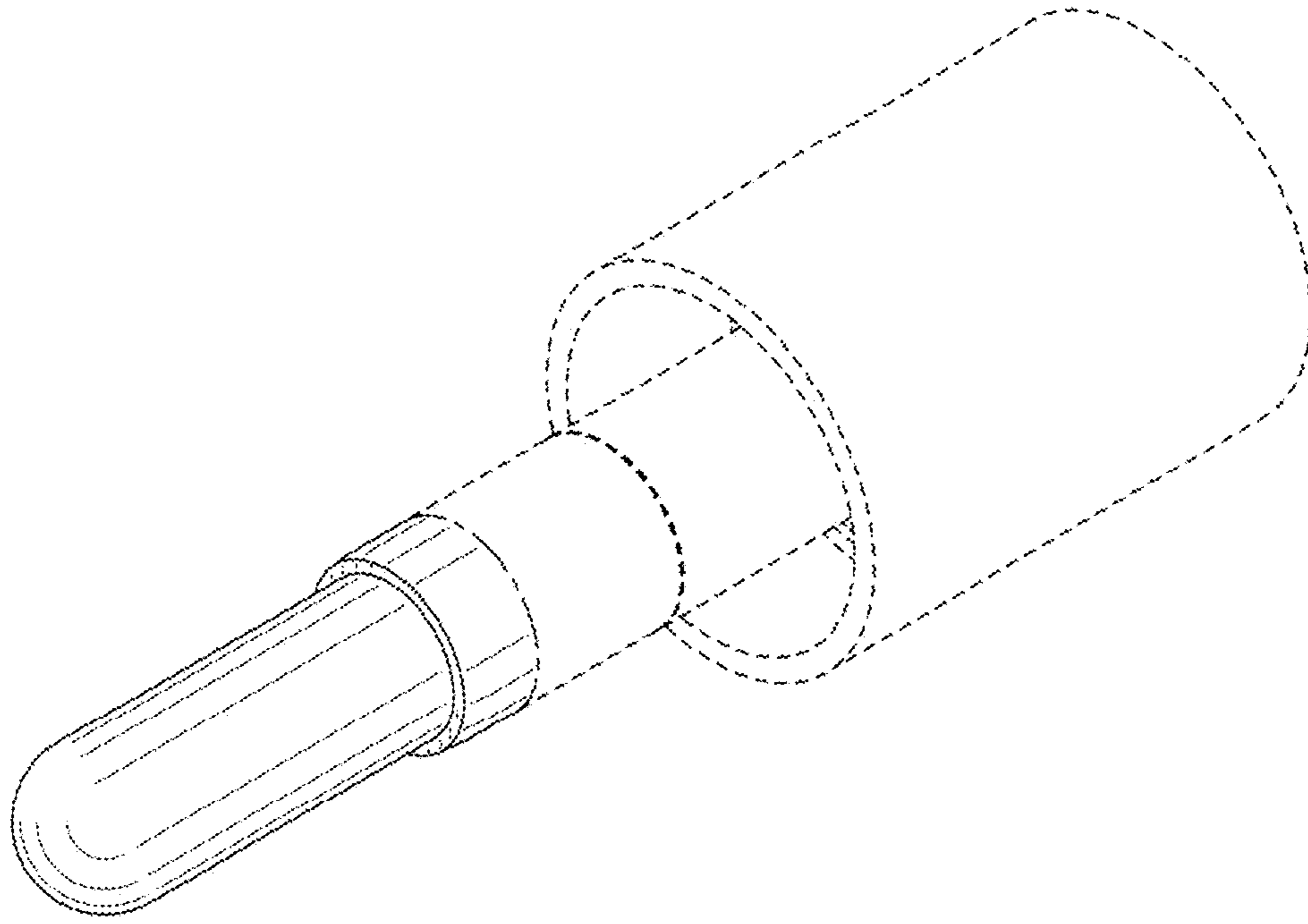


FIG. 1

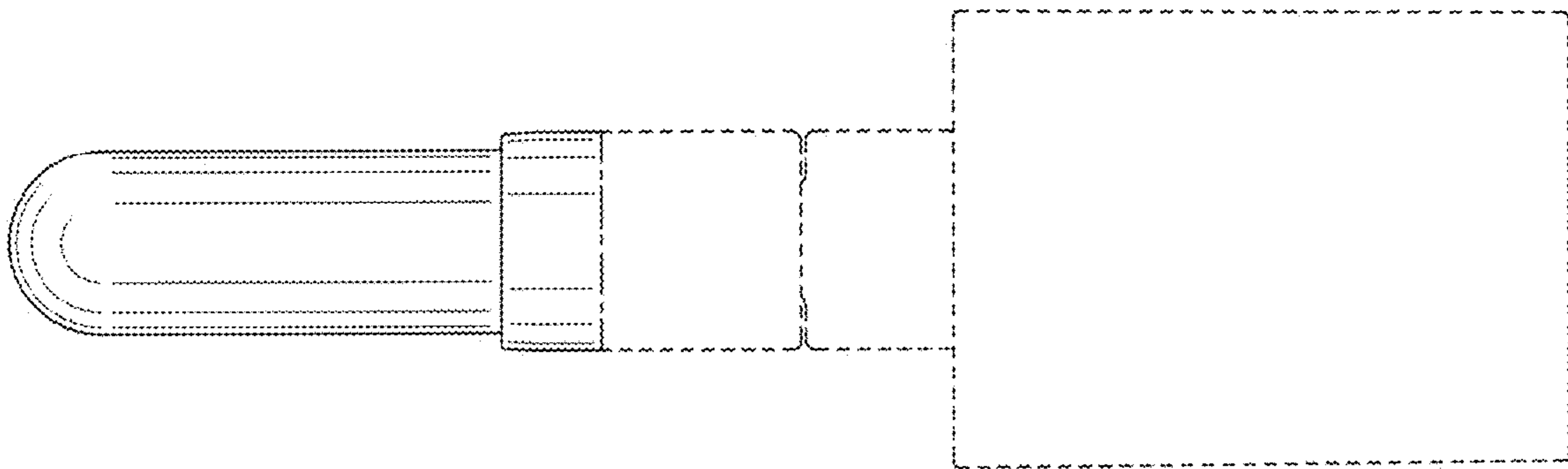


FIG. 2

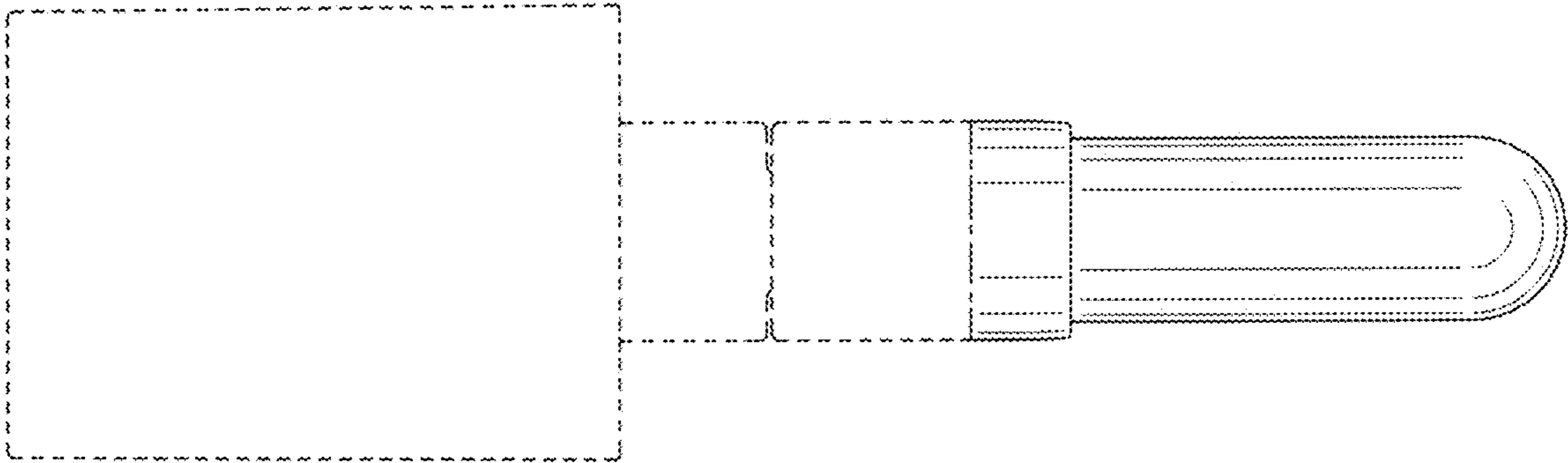


FIG. 3

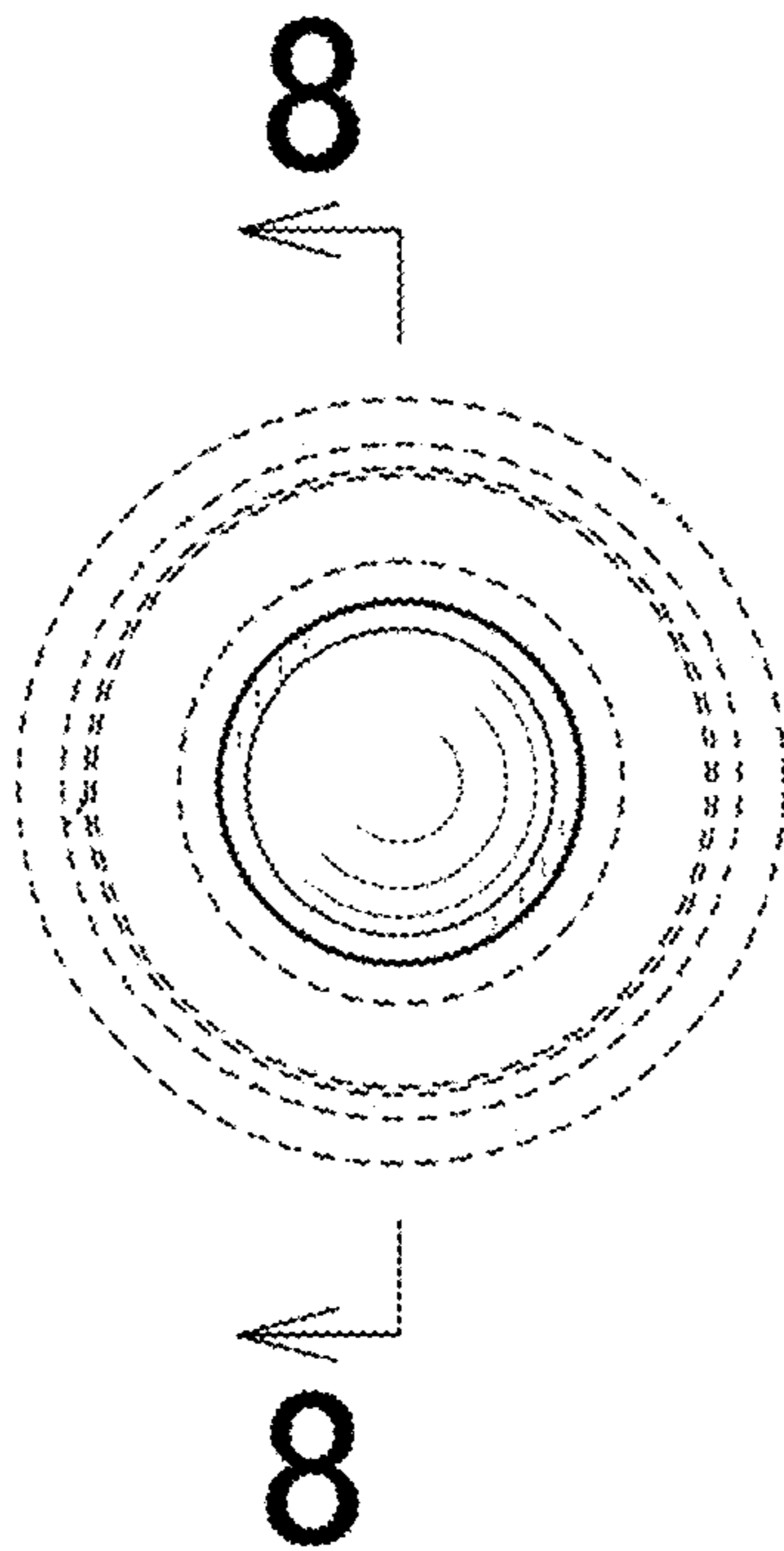


FIG. 4

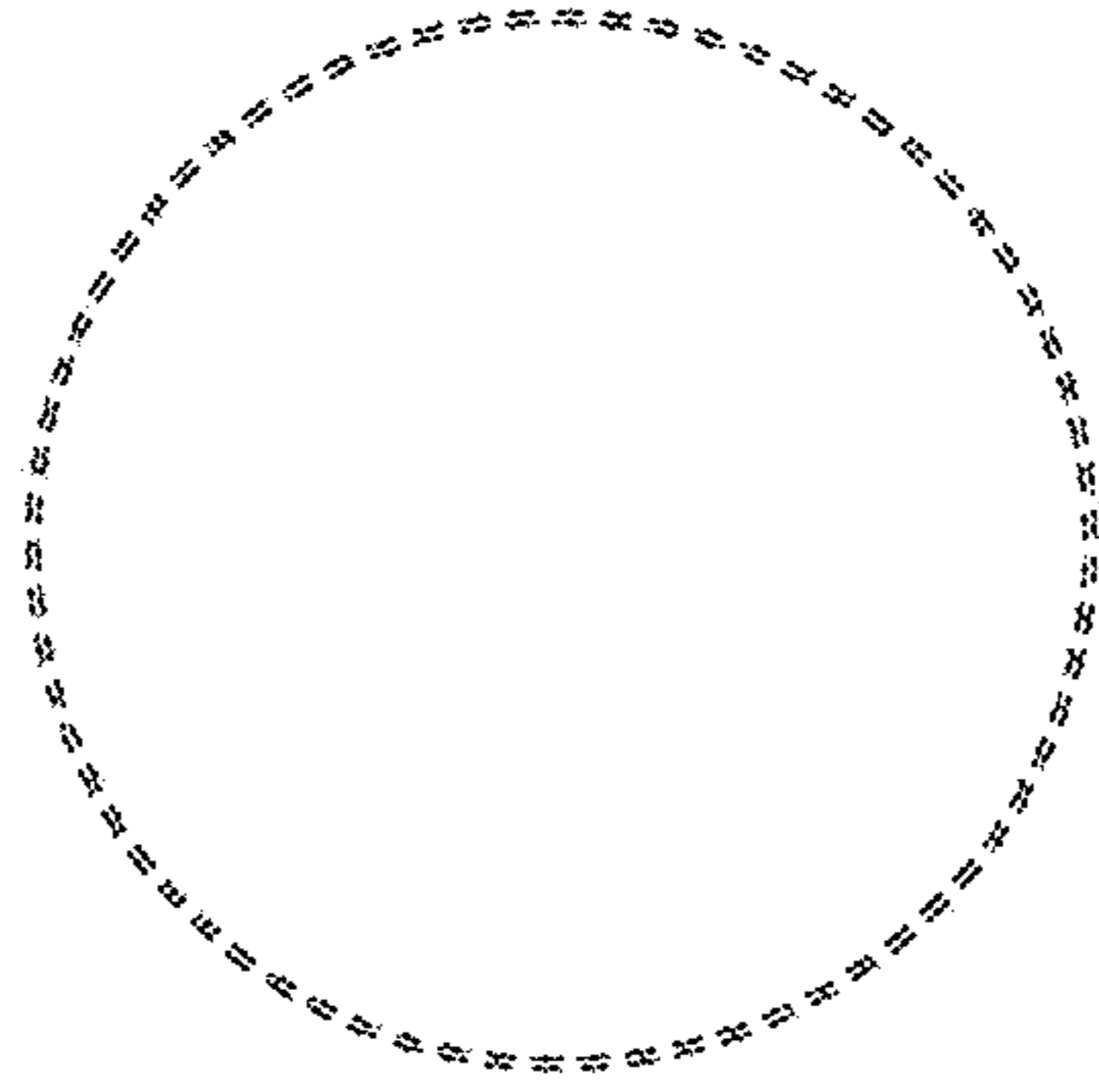


FIG. 5

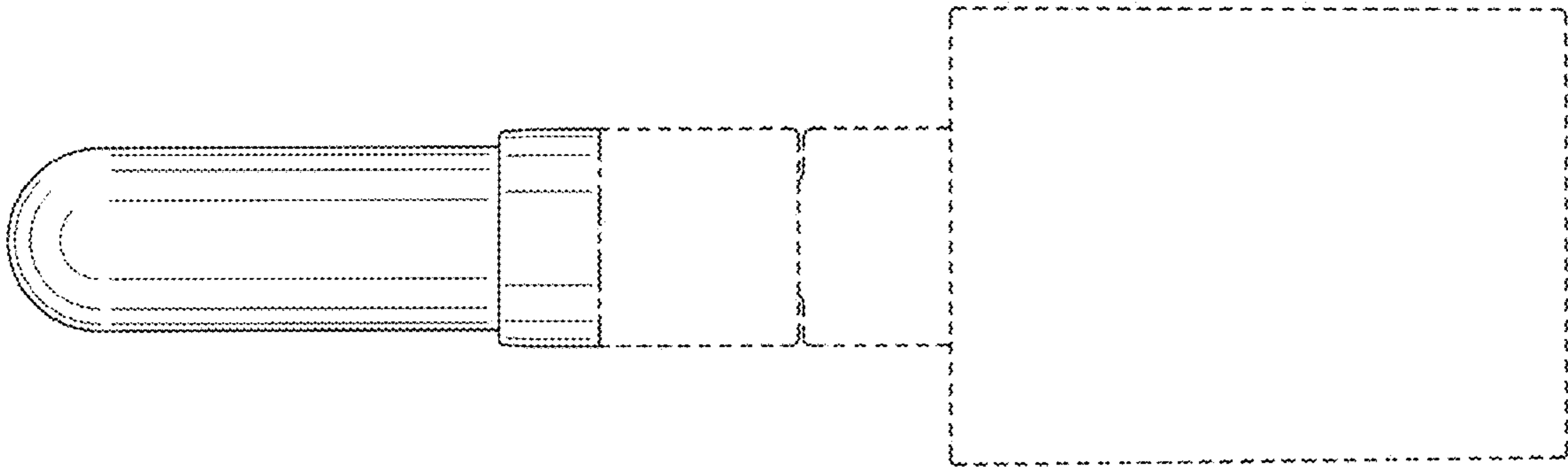


FIG. 6

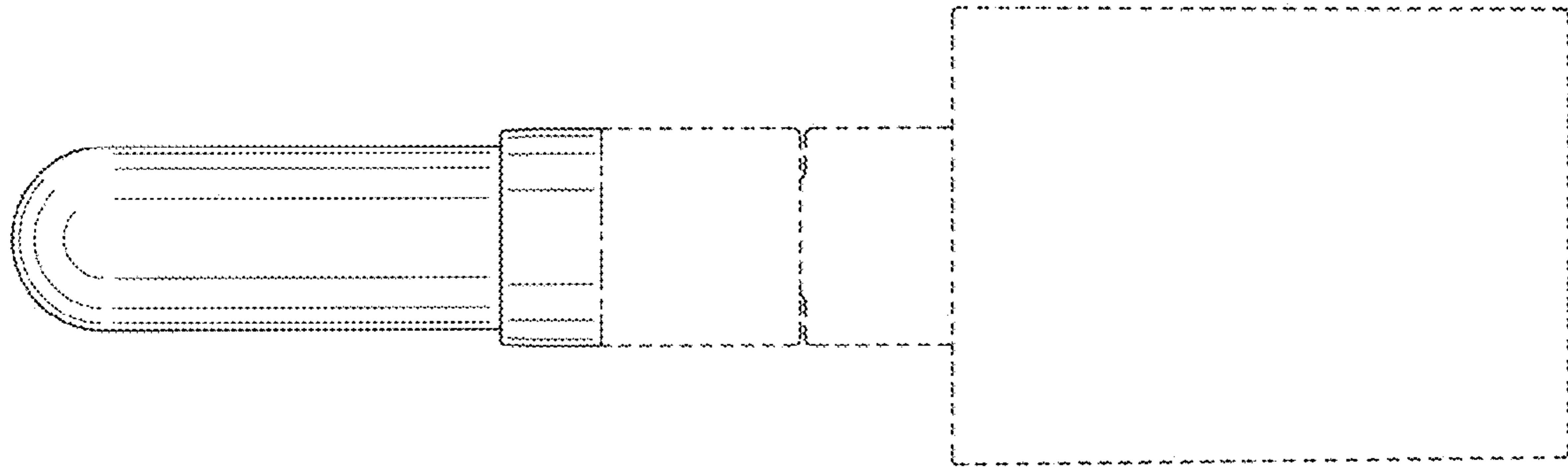


FIG. 7

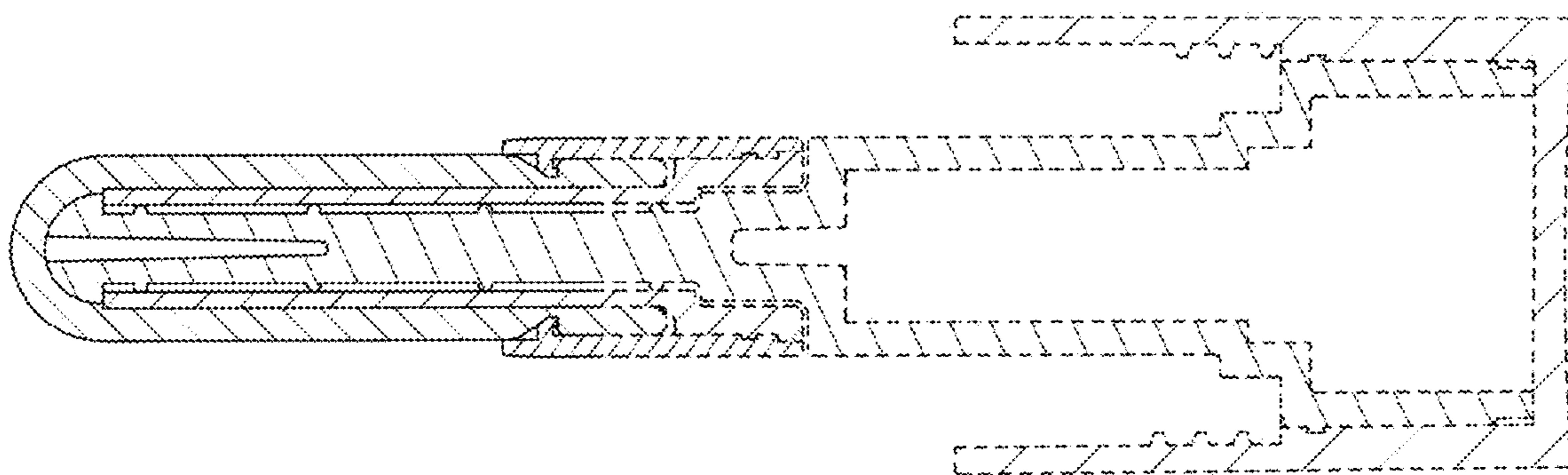


FIG. 8

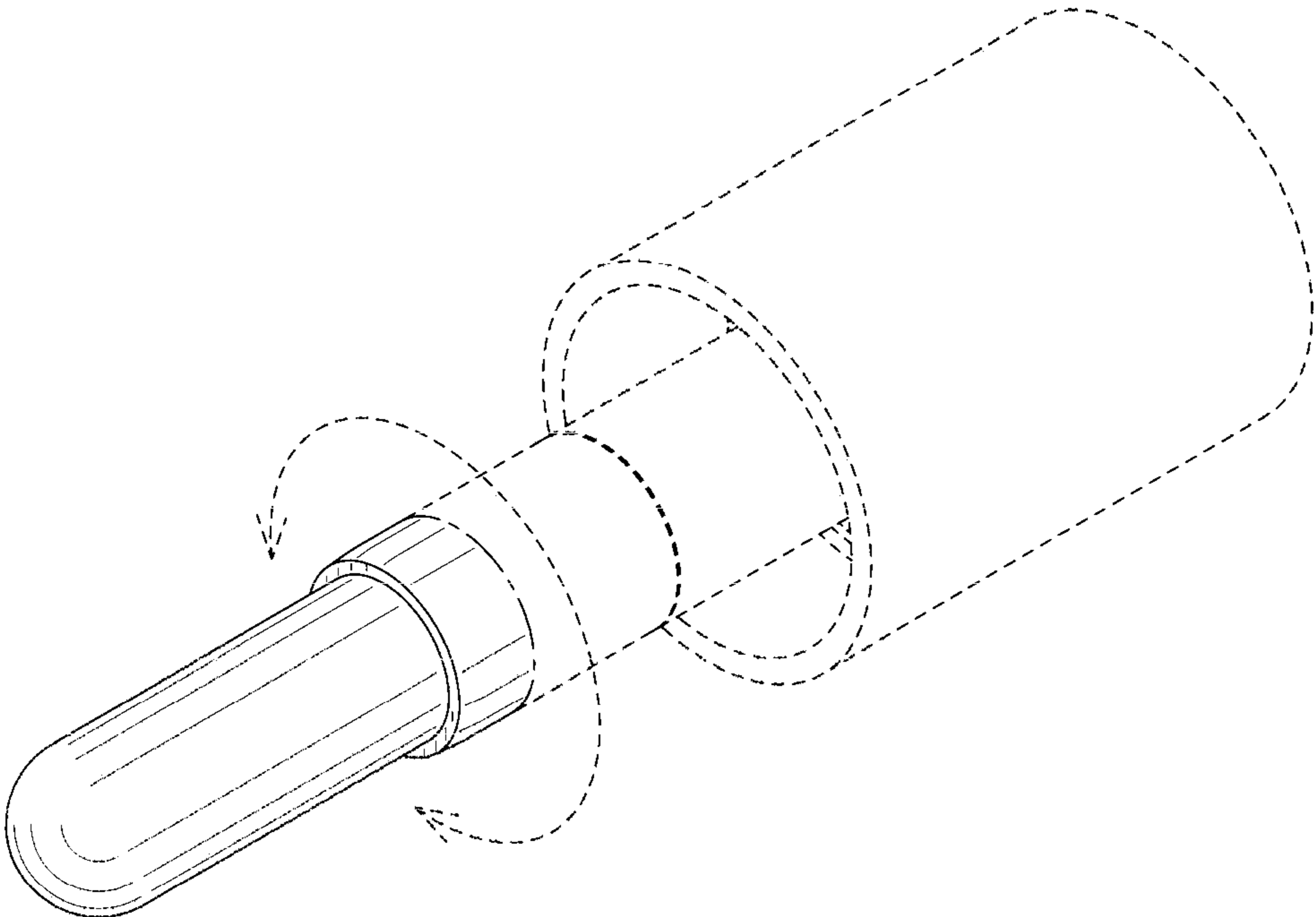


FIG. 9