



US00D976484S

(12) **United States Design Patent** (10) **Patent No.:** **US D976,484 S**  
**Lin** (45) **Date of Patent:** **\*\* \*Jan. 24, 2023**

(54) **CIGARETTE-MAKING MACHINE**

FOREIGN PATENT DOCUMENTS

(71) Applicant: **REPUBLIC BRANDS L.P.**, Glenview, IL (US)

CA 643473 A 6/1962  
CA 1128396 A 7/1982

(Continued)

(72) Inventor: **Mei Lin**, Northbrook, IL (US)

OTHER PUBLICATIONS

(73) Assignee: **REPUBLIC BRANDS L.P.**, Glenview, IL (US)

Premier Supermatic Tube Injector. By Premier. Dated Aug. 30, 2017. Found online [Jun. 28, 2021]. <https://www.amazon.com/Premier-Supermatic-Injector-Make-Your-Own-Cigarette/dp/B07582W8WV> (Year: 2017).\*

(Continued)

(\* ) Notice: This patent is subject to a terminal disclaimer.

(\*\*) Term: **15 Years**

*Primary Examiner* — Marissa J Cash

*Assistant Examiner* — William B Melliar

(21) Appl. No.: **29/830,333**

(74) *Attorney, Agent, or Firm* — Michael Best & Friedrich LLP

(22) Filed: **Mar. 11, 2022**

**Related U.S. Application Data**

(62) Division of application No. 29/738,618, filed on Jun. 18, 2020, now Pat. No. Des. 950,845.

(57) **CLAIM**

(51) **LOC (14) Cl.** ..... **27-99**

I claim the ornamental design for a cigarette-making machine, as shown and described.

(52) **U.S. Cl.**  
USPC ..... **D27/194**

(58) **Field of Classification Search**  
USPC ..... D27/100, 101, 102, 103, 105, 113, 114, D27/118, 125, 127, 128, 137, 138, 142, D27/144, 161, 162, 163, 164, 165, 166, D27/167, 168, 169, 170, 171, 172, 173, D27/174, 175, 176, 177, 178, 179, 180, D27/181, 182, 183, 184, 185, 186, 187, D27/188, 189, 190, 191, 192, 193, 194, D27/195, 196

**DESCRIPTION**

FIG. 1 is a perspective view of a cigarette-making machine. FIG. 2 is a front elevation view of the cigarette-making machine shown in FIG. 1. FIG. 3 is a rear elevation view of the cigarette-making machine shown in FIG. 1. FIG. 4 is a left elevation view of the cigarette-making machine shown in FIG. 1. FIG. 5 is a right elevation view of the cigarette-making machine shown in FIG. 1. FIG. 6 is a top plan view of the cigarette-making machine shown in FIG. 1; and, FIG. 7 is a bottom plan view of the cigarette-making machine shown in FIG. 1.

(Continued)

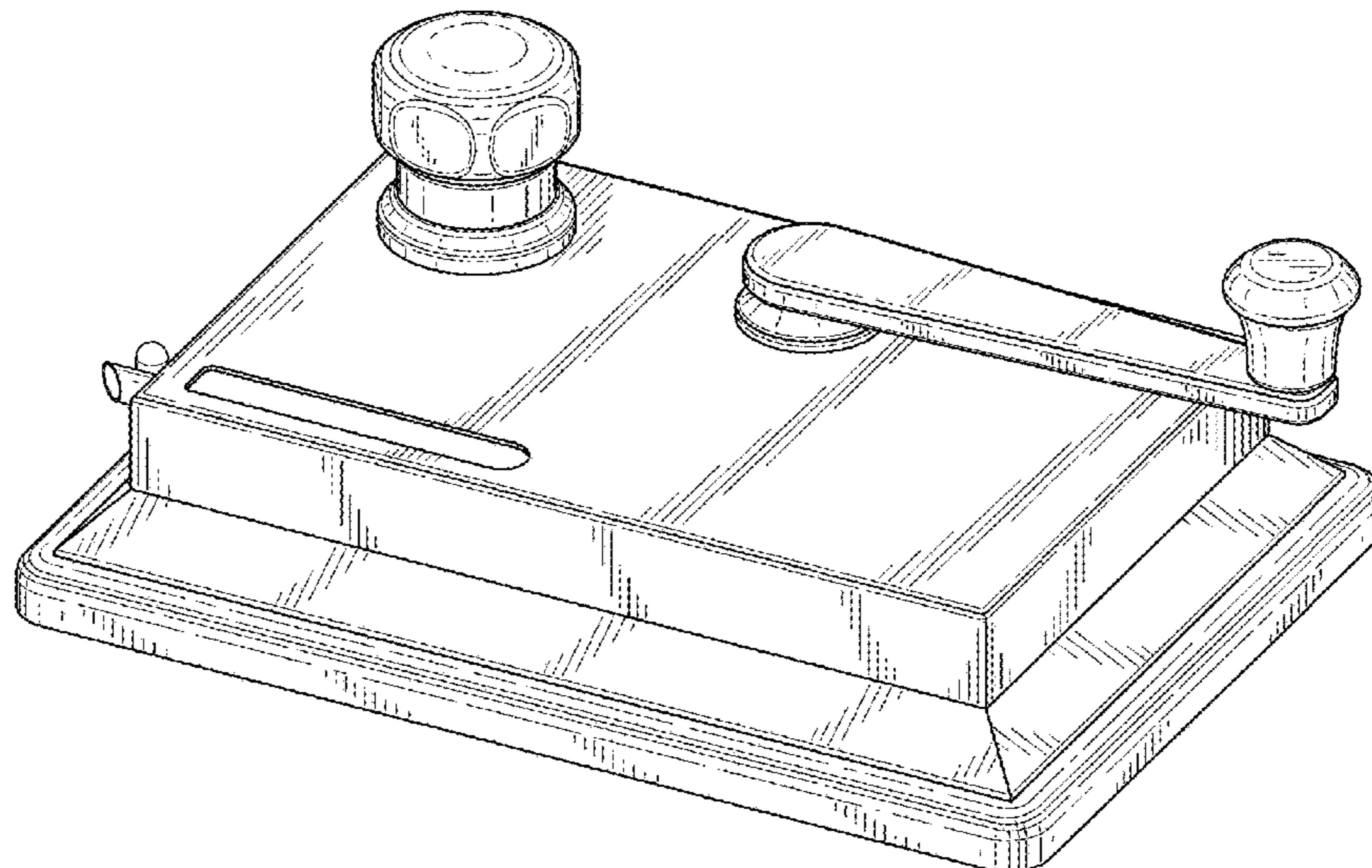
(56) **References Cited**

U.S. PATENT DOCUMENTS

D93,056 S 8/1934 Thorp  
2,314,734 A 3/1943 Ptasnik

(Continued)

**1 Claim, 6 Drawing Sheets**



(58) **Field of Classification Search**

CPC .... A24C 5/06; A24C 5/40; A24C 5/02; A24C 5/005; A24C 5/39; A24C 5/42; A24C 5/425; A24C 5/327; A24C 5/3412; A24C 5/396; A24C 5/01; A24C 5/10; A24C 5/18; A24C 5/397; A24C 5/475; A24C 5/478; A24C 5/185; A24C 5/1871; A24C 5/1892; A24C 5/20; A24C 5/28; A24C 5/321; A24C 5/325; A24C 5/326; A24C 5/34; A24C 5/343; A24C 5/35; A24C 5/354; A24C 5/36; A24C 5/38; A24C 5/391; A24C 5/394; A24C 5/395; A24C 5/44; A24C 5/47; A24C 5/471; A24C 5/474; A24C 5/586; A24C 5/601; B65B 19/20; B65B 19/223; B65B 19/228; B65B 19/10; B65B 19/225; B65B 1/363; B65B 2230/04; B65B 19/28; B65B 1/06; B65B 61/20; B65B 19/30; B65B 19/32; B65B 1/24; B65B 59/003; B65B 59/04; B65B 65/003; B65B 11/30; B65B 11/52; B65B 19/00; B65B 19/02; B65B 19/025; B65B 19/04; B65B 19/12; B65B 19/221; B65B 19/24; B65B 19/34; B65B 1/04; B65B 1/10; B65B 1/12; B65B 1/32; B65B 1/38; B65B 2210/10; B65B 2220/02; B65B 2220/14; B65B 2220/16; B65B 29/00; B65B 35/40; B65B 35/58; B65B 37/20; B65B 3/02; B65B 3/027; B65B 3/04; B65B 3/06; B65B 3/28; B65B 43/12; B65B 43/24; B65B 43/42; B65B 43/44; B65B 43/52; B65B 43/54; B65B 47/06; B65B 49/08; B65B 49/14; B65B 51/023; B65B 57/10; B65B 57/16; B65B 5/06; B65B 5/12; B65B 61/002; B65B 61/02; B65B 61/025; B65B 61/06; B65B 61/26; B65B 63/005; B65B 69/00; B65B 7/28; B65B 7/2821; B65B 9/045; A24F 40/70; A24F 40/10; A24F 40/42; A24F 40/20; A24F 40/46; A24F 40/80; A24D 3/0287; A24D 1/025; A24D 1/02; A24D 1/00; A24D 1/04; A24D 1/14; A24D 3/0229; A24D 3/0233; A24D 3/027; A24D 3/0279; A24D 3/0295; A24D 3/04

See application file for complete search history.

(56) **References Cited**

U.S. PATENT DOCUMENTS

2,551,095 A 5/1951 Chaze  
 2,699,787 A 1/1955 Kastner  
 2,699,788 A 1/1955 Kastner  
 2,714,383 A 8/1955 Gee  
 2,731,971 A \* 1/1956 Kastner ..... A24C 5/42  
 131/70  
 3,124,141 A 3/1964 Seitter  
 D197,986 S 4/1964 Schlage  
 3,127,900 A \* 4/1964 Kastner ..... A24C 5/425  
 131/70  
 3,202,156 A 8/1965 Kappeler et al.  
 3,509,887 A 5/1970 Kappeler et al.  
 D219,495 S 12/1970 Bessler et al.  
 3,688,777 A 9/1972 Kastner  
 3,699,975 A 10/1972 Saraber  
 3,746,011 A 7/1973 Kappeler et al.  
 D241,354 S 9/1976 Kastner et al.  
 D250,965 S 1/1979 Moscovitch  
 4,167,948 A 9/1979 Moscovitch  
 4,249,546 A 2/1981 Heil et al.

4,411,278 A 10/1983 Kastner  
 5,088,506 A 2/1992 Kastner  
 D365,742 S 1/1996 Decursu et al.  
 5,526,825 A 6/1996 Ruppert et al.  
 5,657,768 A 8/1997 Neumann et al.  
 D459,646 S 7/2002 Bertani  
 6,557,560 B2 5/2003 Kastner  
 6,978,789 B2 12/2005 Garbarino  
 D544,643 S 6/2007 Lin  
 D545,494 S 6/2007 Soeprapto  
 D553,793 S \* 10/2007 Lin ..... D27/194  
 D579,150 S \* 10/2008 Lin ..... D27/184  
 D589,776 S 4/2009 Camp  
 D613,032 S \* 4/2010 Lin ..... D27/194  
 D613,033 S 4/2010 Lin  
 8,037,887 B2 10/2011 Lin  
 D659,901 S \* 5/2012 Lin ..... D27/194  
 D665,126 S \* 8/2012 Lin ..... D27/194  
 8,261,752 B2 9/2012 Bao  
 D692,616 S \* 10/2013 Patel ..... D27/194  
 D700,399 S \* 2/2014 Lin ..... D27/194  
 9,314,051 B2 \* 4/2016 Lin ..... A24C 5/06  
 D849,995 S 5/2019 Lin  
 D881,464 S \* 4/2020 Lin ..... D27/194  
 D940,389 S \* 1/2022 Daw ..... D27/194  
 D950,845 S \* 5/2022 Lin ..... D27/194  
 D950,846 S \* 5/2022 Lin ..... D27/194  
 D953,628 S \* 5/2022 Vila ..... D27/194  
 2002/0189623 A1 \* 12/2002 Kastner ..... A24C 5/42  
 131/70  
 2007/0235045 A1 \* 10/2007 Lin ..... A24C 5/425  
 131/27.1  
 2007/0295343 A1 \* 12/2007 Susanto ..... A24C 5/40  
 131/58  
 2010/0229880 A1 9/2010 Bao  
 2012/0312311 A1 \* 12/2012 Lin ..... A24C 5/42  
 131/70  
 2013/0152952 A1 \* 6/2013 Bao ..... A24C 5/42  
 131/70  
 2014/0202471 A1 \* 7/2014 Bao ..... A24C 5/42  
 131/108  
 2015/0366263 A1 12/2015 Coltrane

FOREIGN PATENT DOCUMENTS

DE 1757504 4/1971  
 EP 1604576 A2 12/2005  
 WO 2006130367 A2 12/2006

OTHER PUBLICATIONS

Mikromatic Mini Top-o-Matic Cigarette Making Machine. By OCB. Dated Oct. 6, 2018. Found online [Jun. 28, 2021]. [https://www.amazon.com/Mikromatic-Matic-Cigarette-Making-Machine/dp/B009BS5AQQ/ref=sr\\_1\\_24?dchild=1&keywords=cigarette%2Bmaking%2Bmachine&qid=1624904322&sr=8-24&th=1](https://www.amazon.com/Mikromatic-Matic-Cigarette-Making-Machine/dp/B009BS5AQQ/ref=sr_1_24?dchild=1&keywords=cigarette%2Bmaking%2Bmachine&qid=1624904322&sr=8-24&th=1) (Year: 2018).\*

Patent Cooperation Treaty Written Opinion of the International Searching Authority for Application No. PCT/US06/27637 dated Jun. 20, 2008 (3 pages).

Photograph No. 1, Front and Top view of Premier Cigarette Making Machine, photograph publicly available before Mar. 2008, 1 page.

Photograph No. 2, Front and Top view of Supermatic Cigarette Making Machine, photograph publicly available before Mar. 2008, 1 page.

Photograph No. 3, Front and Top view of Premier Supermatic Cigarette Making Machine, photograph publicly available before Mar. 2008, 1 page.

Photograph No. 4, Top View of Magnum Injector Cigarette Making Machine, photograph publicly available before Mar. 2008, 1 page.

Canadian Patent Office Examination Report for Application No. 197309 dated Dec. 2, 2021 (2 pages).

Mikromatic Mini Top-o-Matic Cigarette Making Machine. By OCB. Dated Oct. 6, 2018. Found online [Jun. 28, 2021]. <https://www.amazon.com/Mikromatic-Matic-Cigarette-Making-Machine/dp/>

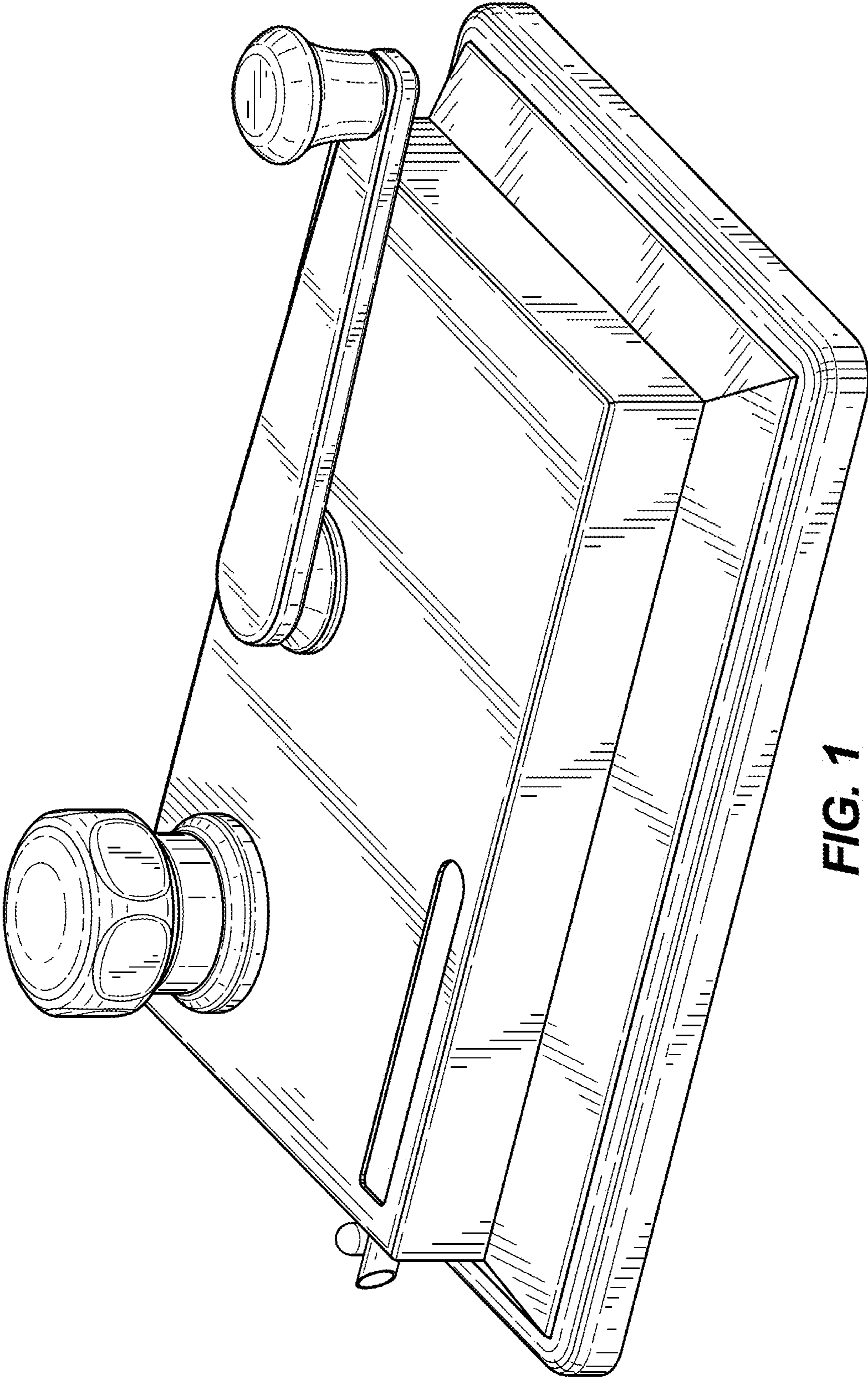
(56)

**References Cited**

OTHER PUBLICATIONS

B009BS5AQQ/ref=sr\_1\_24?ichild=1&keywords=cigarette%2Bmaking%2Bmachine&qid=1624904322&sr=8-24&th=1 (Year: 2018).  
Premier Supermatic Tube Injector. By Premier. Dated Aug. 30, 2017. Found online [Jun. 28, 2021], <https://www.amazon.com/Premier-Supermatic-Injector-Make-Your-Own-Cigarette/dp/B07582W8WV> (Year: 2017).

\* cited by examiner



**FIG. 1**

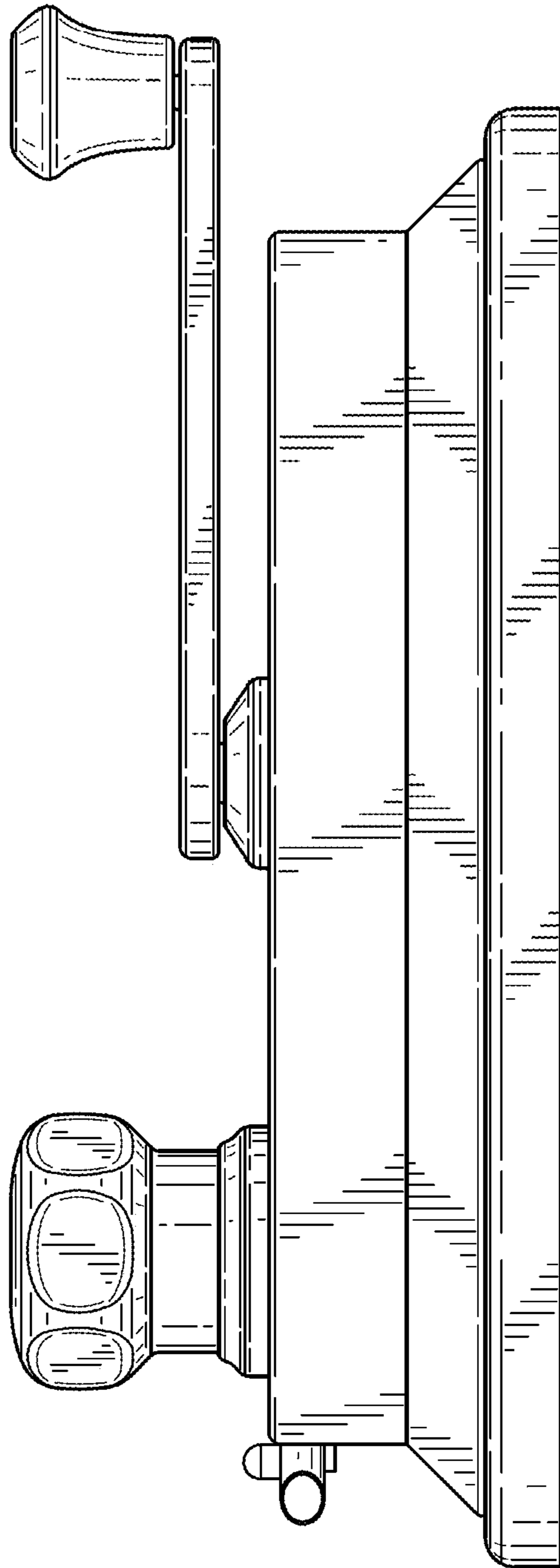


FIG. 2

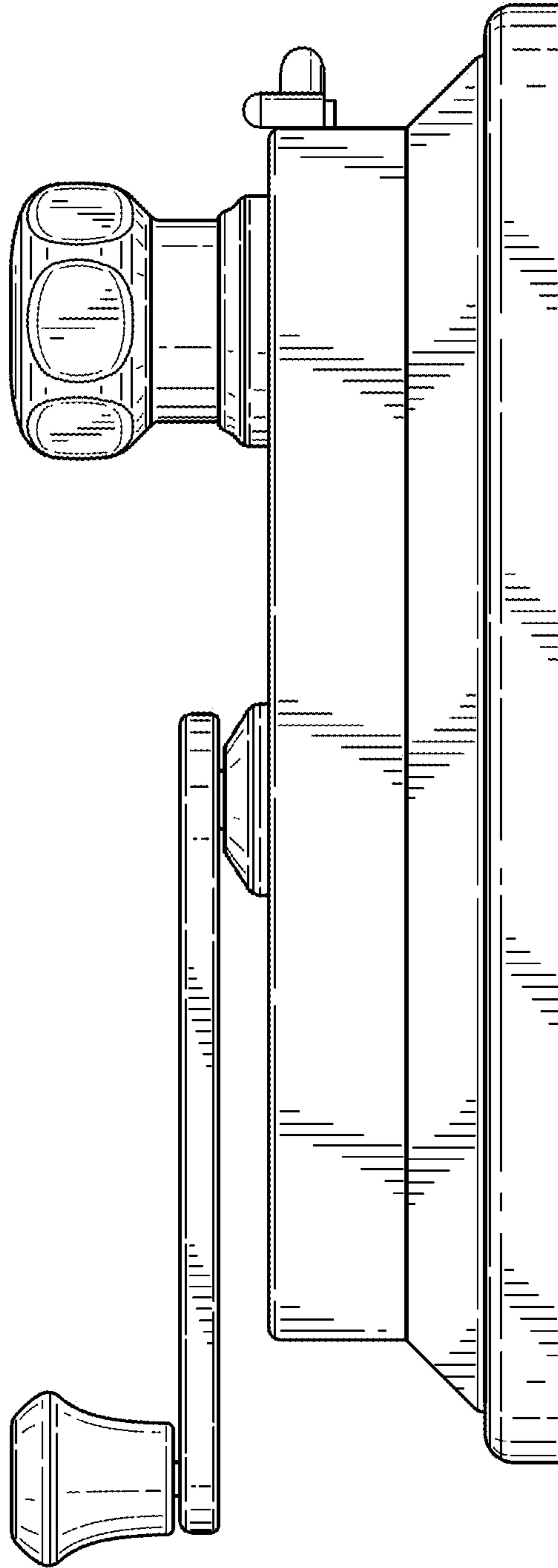
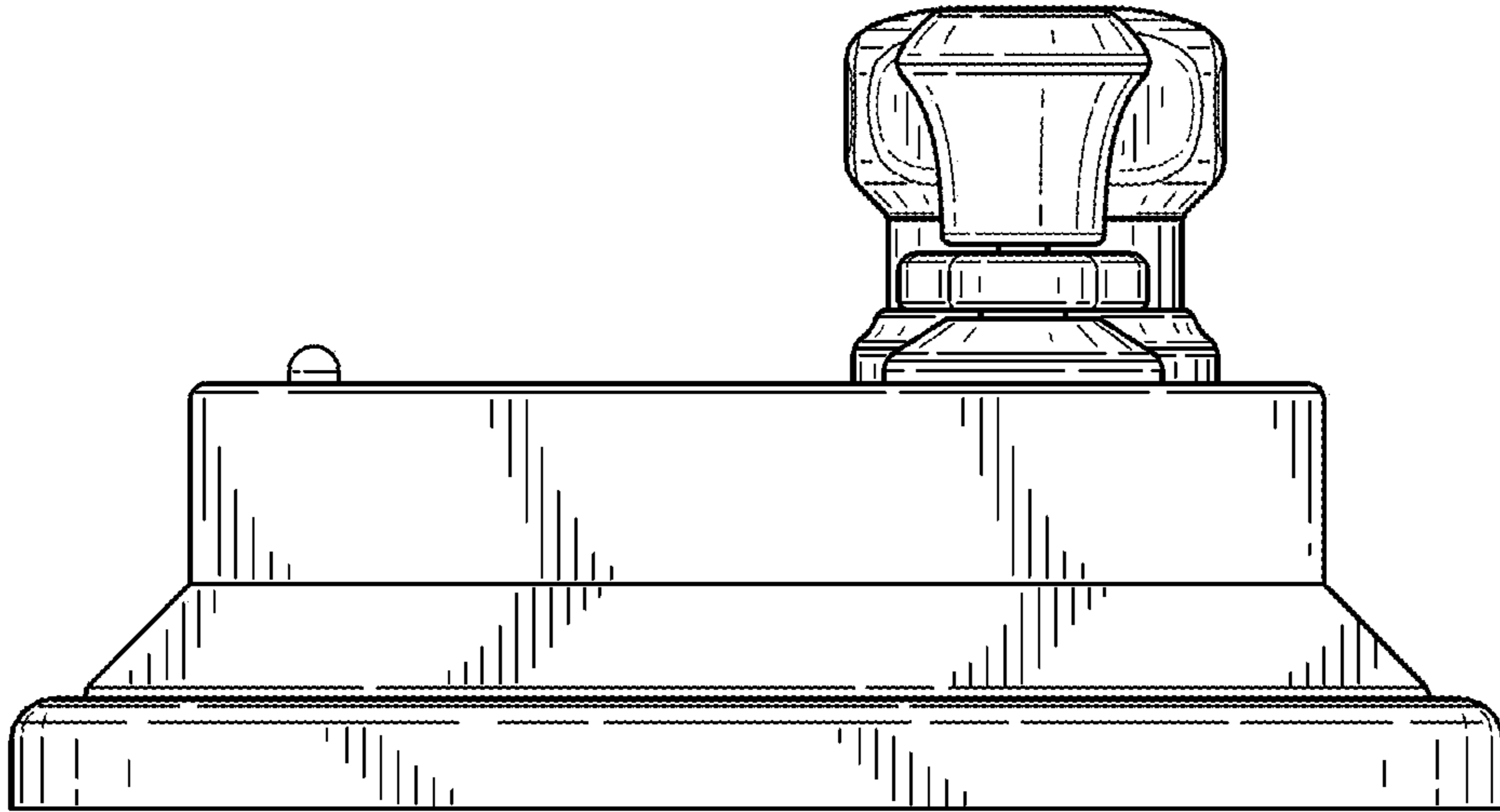
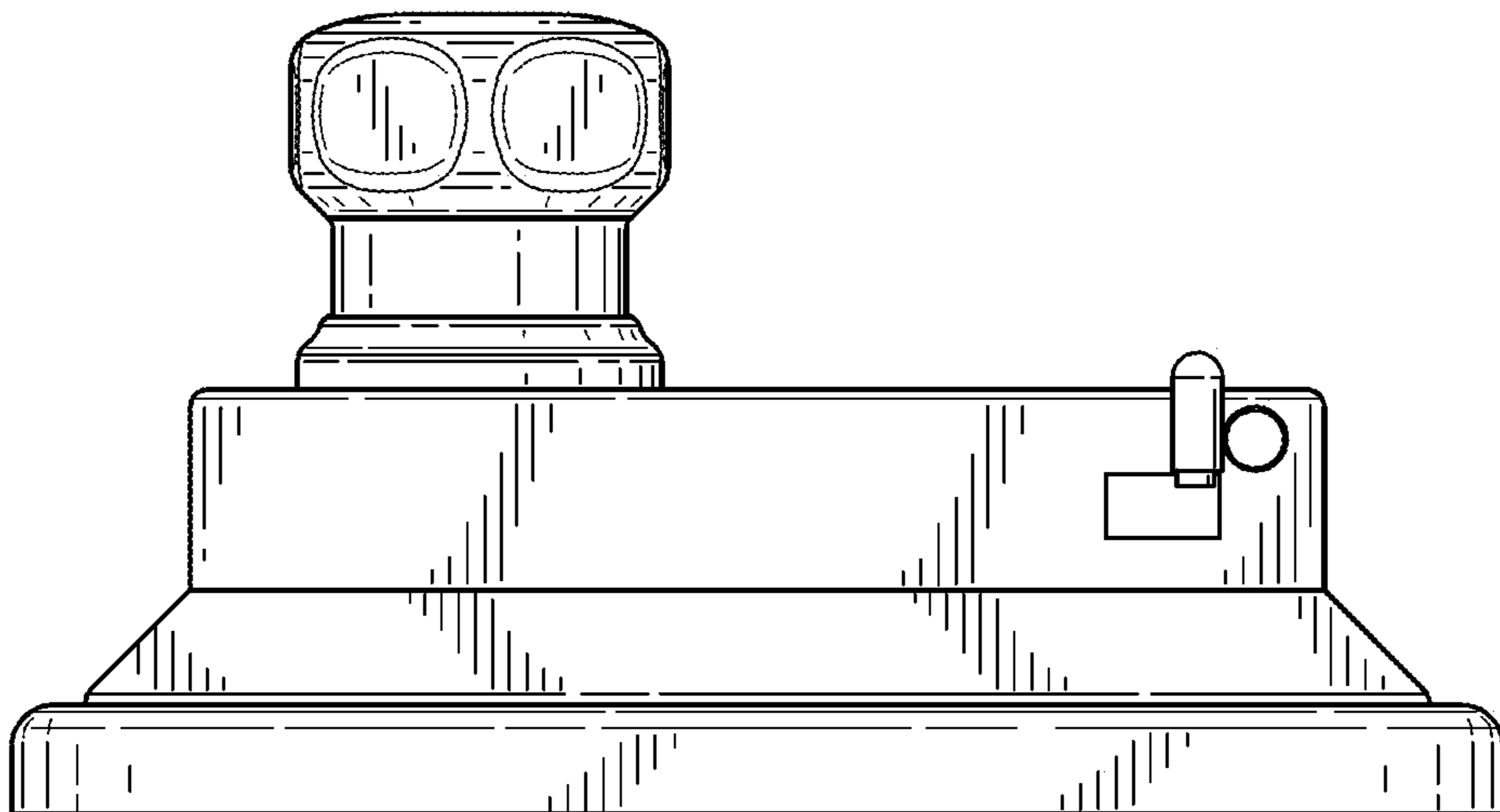


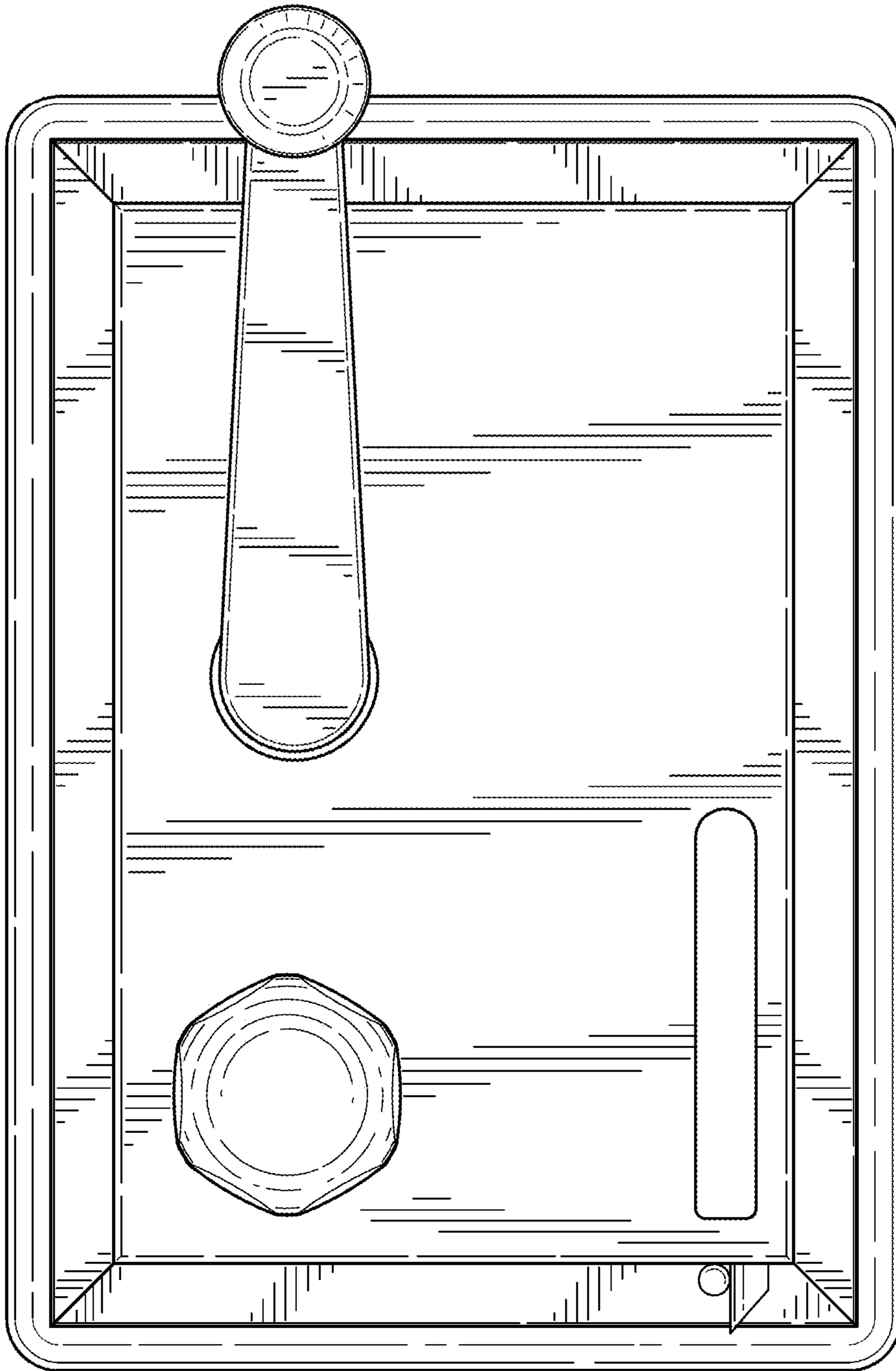
FIG. 3



**FIG. 4**

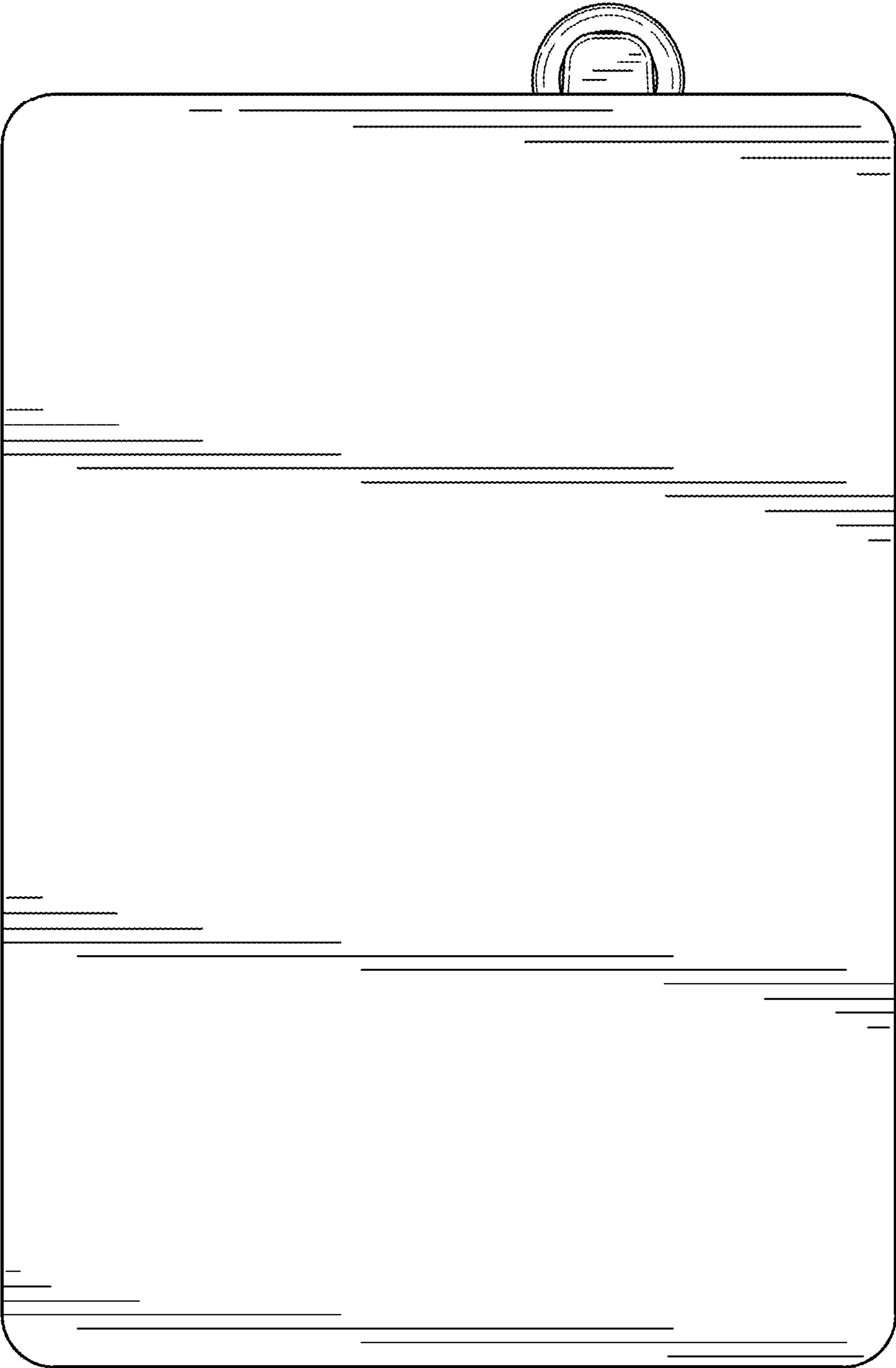


**FIG. 5**



**FIG. 6**





**FIG. 7**