



US00D976482S

(12) **United States Design Patent** (10) **Patent No.:** **US D976,482 S**  
**Calvo Guerrero** (45) **Date of Patent:** **\*\* Jan. 24, 2023**

(54) **CIGAR BOX WITH DISPLAY FEATURE**

(71) Applicant: **Victor Antonio Calvo Guerrero**, Opa  
Locka, FL (US)

(72) Inventor: **Victor Antonio Calvo Guerrero**, Opa  
Locka, FL (US)

(\*\*) Term: **15 Years**

(21) Appl. No.: **29/740,456**

(22) Filed: **Jul. 3, 2020**

**Related U.S. Application Data**

(63) Continuation of application No. 16/906,099, filed on  
Jun. 19, 2020, now Pat. No. 11,242,193.

(51) **LOC (14) Cl.** ..... **27-06**

(52) **U.S. Cl.**  
USPC ..... **D27/183**

(58) **Field of Classification Search**  
USPC ..... D27/183, 186-192, 172-175  
CPC ..... A24F 15/00; A24F 15/01; A24F 15/02;  
A24F 15/08; A24F 15/10; A24F 5/18;  
A24F 5/20  
See application file for complete search history.

(56) **References Cited**

**U.S. PATENT DOCUMENTS**

- 1,655,959 A \* 1/1928 Kessler ..... A24F 15/00  
217/58
- D349,812 S \* 8/1994 Rockery ..... D3/273
- D398,715 S \* 9/1998 Descalzo ..... D27/189
- D399,598 S \* 10/1998 Perkins ..... D27/189
- D467,731 S \* 12/2002 Pratt ..... D3/273
- D731,325 S \* 6/2015 Loessin ..... D9/737
- D738,649 S \* 9/2015 Tapper ..... D7/672
- D815,343 S \* 4/2018 Kesselman ..... D27/187
- D816,993 S \* 5/2018 Zhu ..... D3/903
- D867,128 S \* 11/2019 Keary ..... D9/737
- D887,282 S \* 6/2020 O'Neill ..... D9/737
- D910,912 S \* 2/2021 Slate ..... D27/189

(Continued)

**OTHER PUBLICATIONS**

Plain Humidor By: Relicwood found on line (Feb. 10, 2022)  
<https://relicwood.com/product/plain-humidor-desktop-cigar-box/#reviews> (Nov. 19, 2015).\*

*Primary Examiner* — Rebecca Tsehaye  
(74) *Attorney, Agent, or Firm* — Mark Terry

(57) **CLAIM**

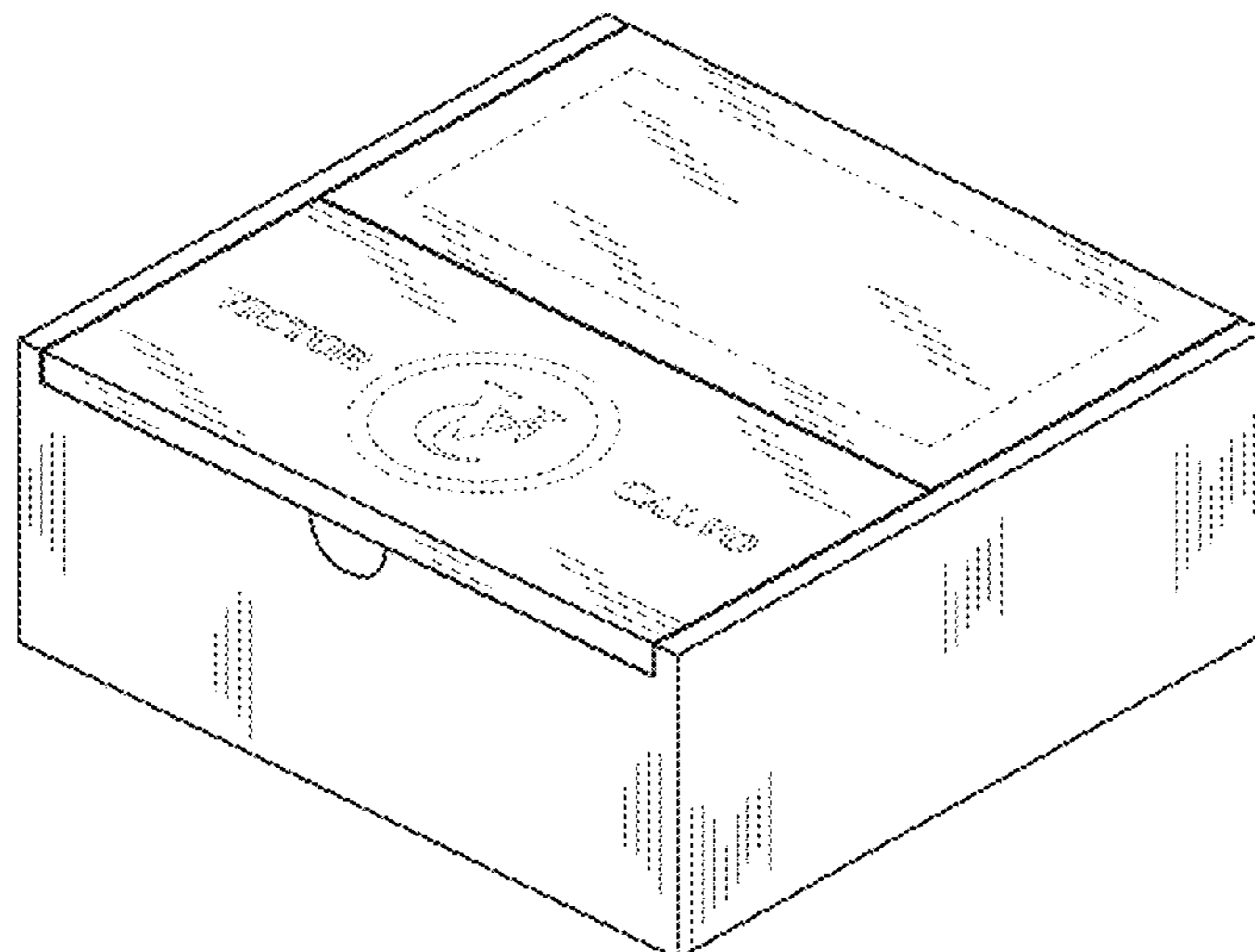
The ornamental design for a cigar box with display feature,  
as shown and described.

**DESCRIPTION**

FIG. 1 is a front view of a cigar box with display feature, showing the new design;  
 FIG. 2 is a top view thereof;  
 FIG. 3 is a front view thereof;  
 FIG. 4 is a rear view thereof;  
 FIG. 5 is an alternative perspective view in an open position thereof;  
 FIG. 6 is an alternative side view in an open position thereof;  
 FIG. 7 is an alternative perspective rear view in an open position thereof;  
 FIG. 8 is an alternative perspective front view in an open position thereof;  
 FIG. 9 is an alternative side view in an open position thereof;  
 and,  
 FIG. 10 is an alternative rear perspective view in an open position thereof.

The claim is directed to shaded surfaces, the broken lines in the drawings immediately adjacent shaded areas are for purposes of illustrating the bounds of the claimed design; all unshaded surfaces within these areas as well as the singular broken seam line shown in FIGS. 1, 2, 7, and 10 are for purposes of illustrating portions of the cigar box with display Feature that form no part thereof.

**1 Claim, 10 Drawing Sheets**



(56)

**References Cited**

U.S. PATENT DOCUMENTS

11,242,193 B2 \* 2/2022 Calvo Guerrero ..... B65D 85/12  
2021/0394999 A1 \* 12/2021 Calvo Guerrero ... B65D 51/245

\* cited by examiner

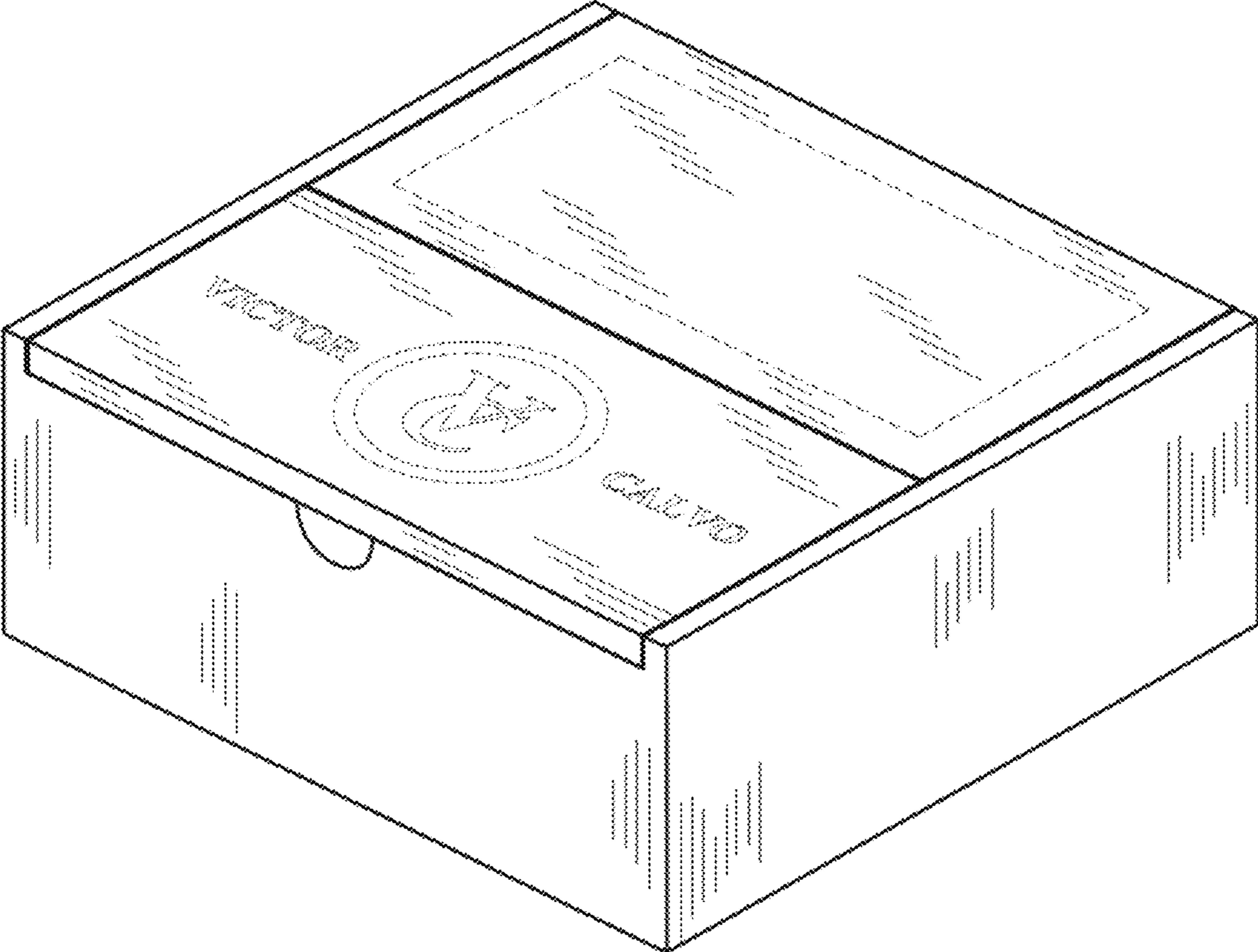


FIG. 1

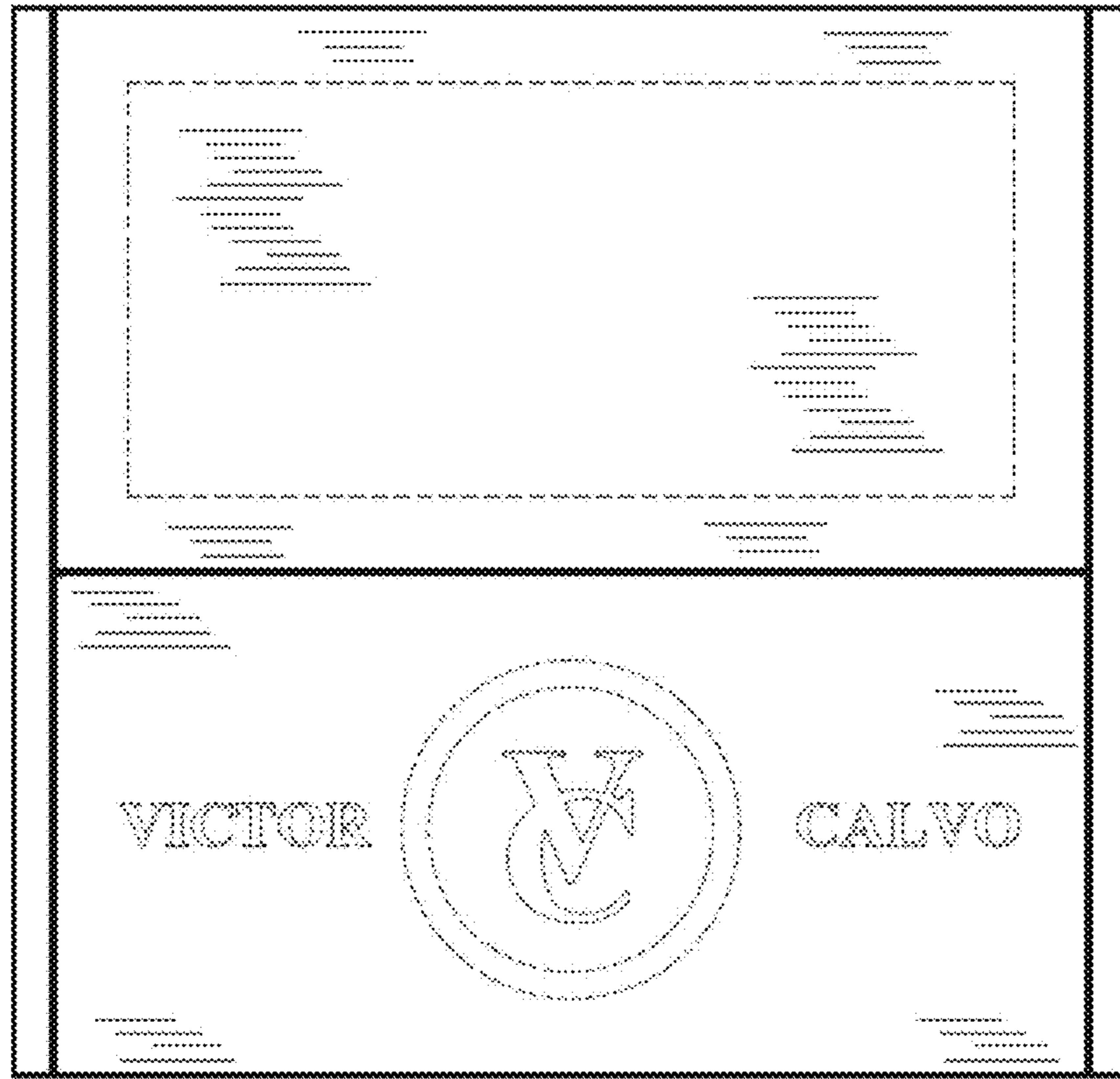


FIG. 2

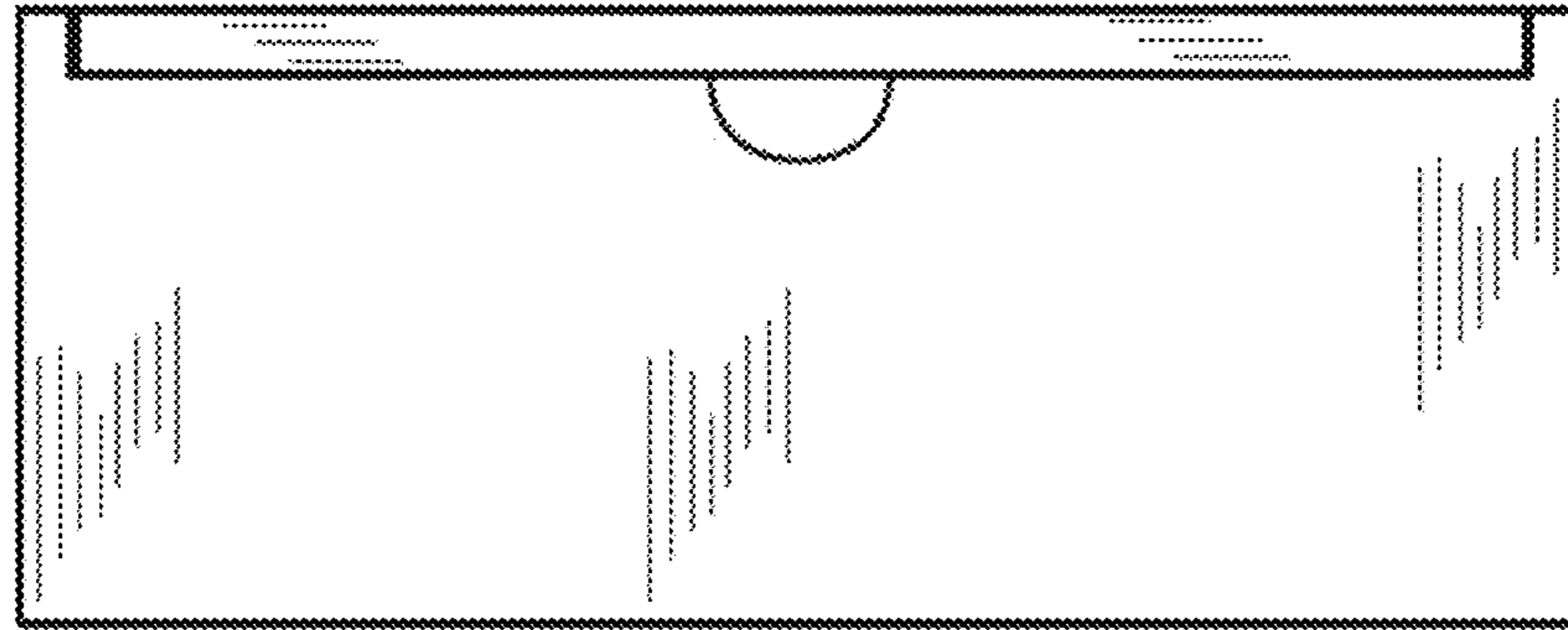


FIG. 3

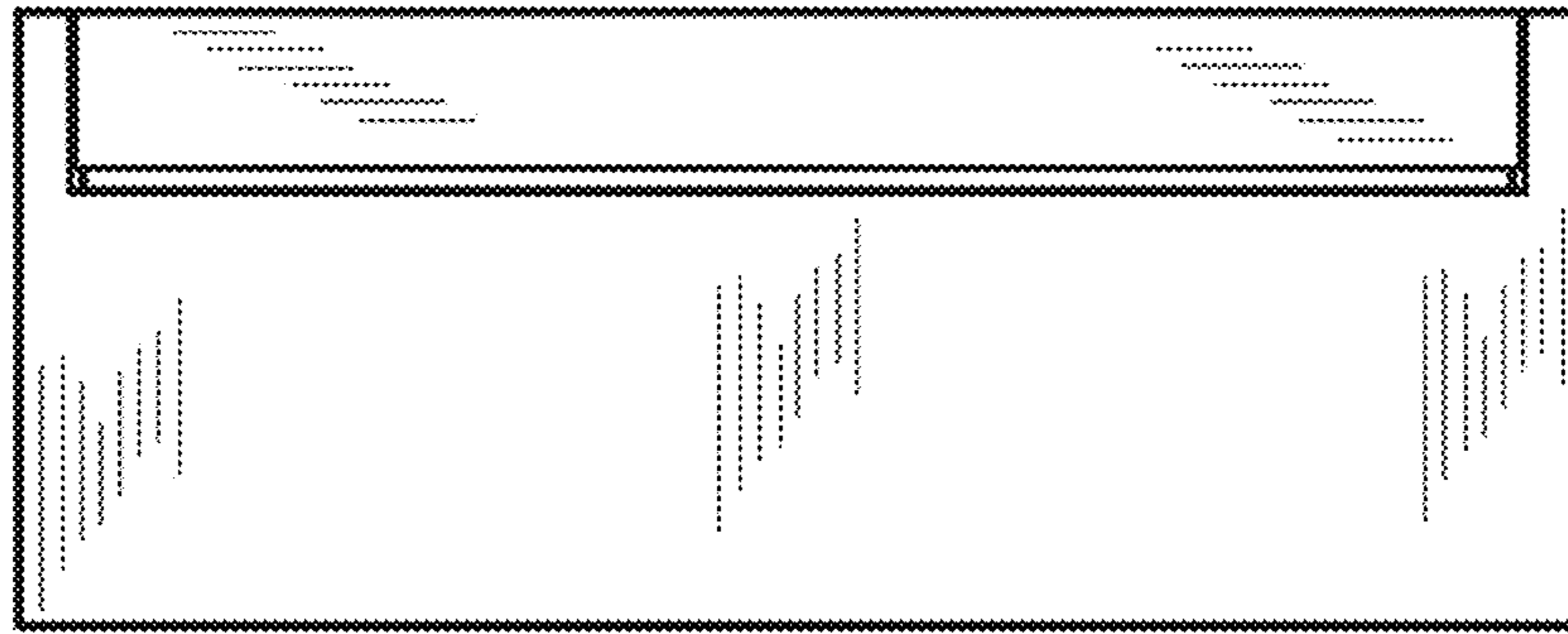


FIG. 4

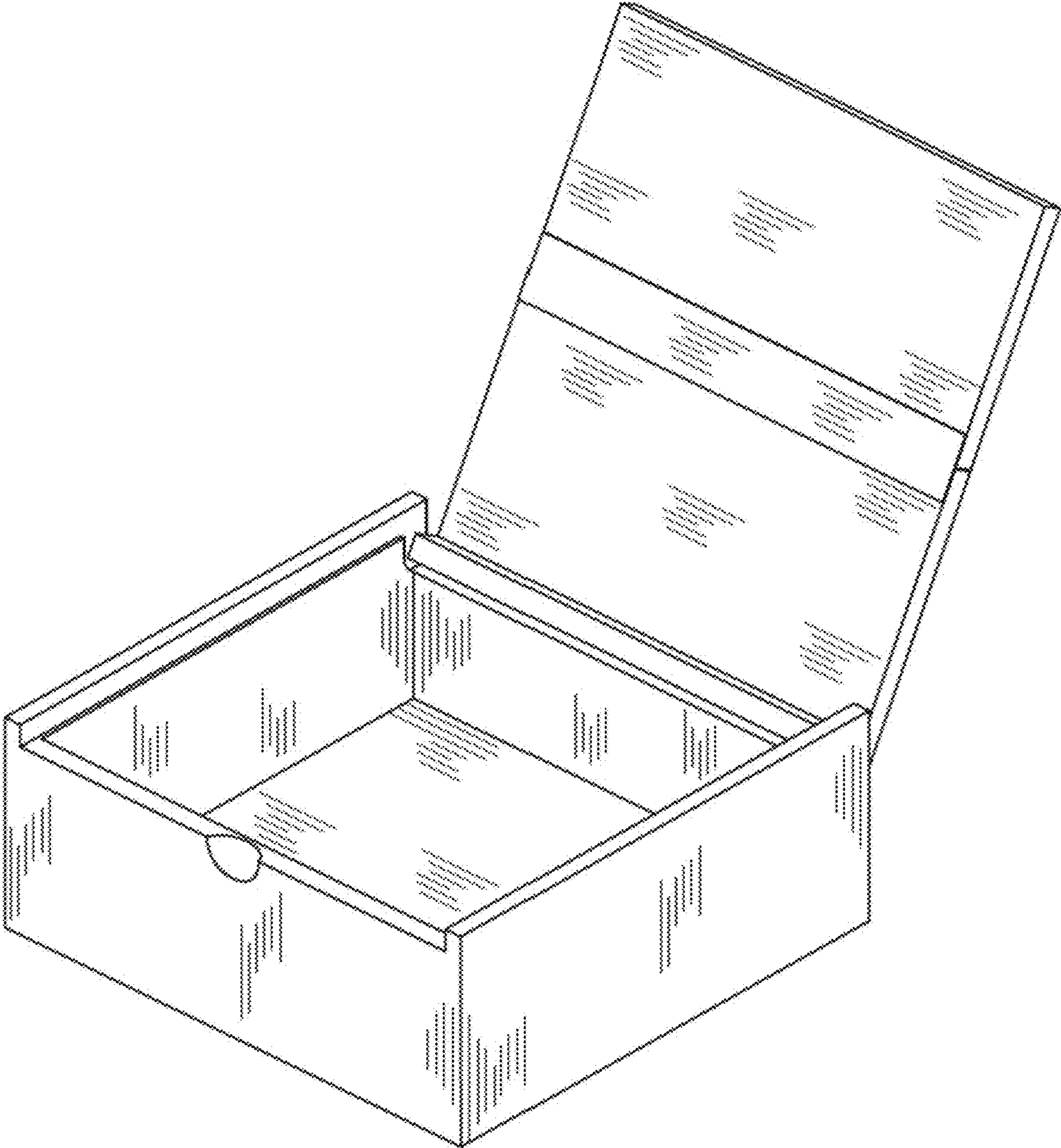


FIG. 5

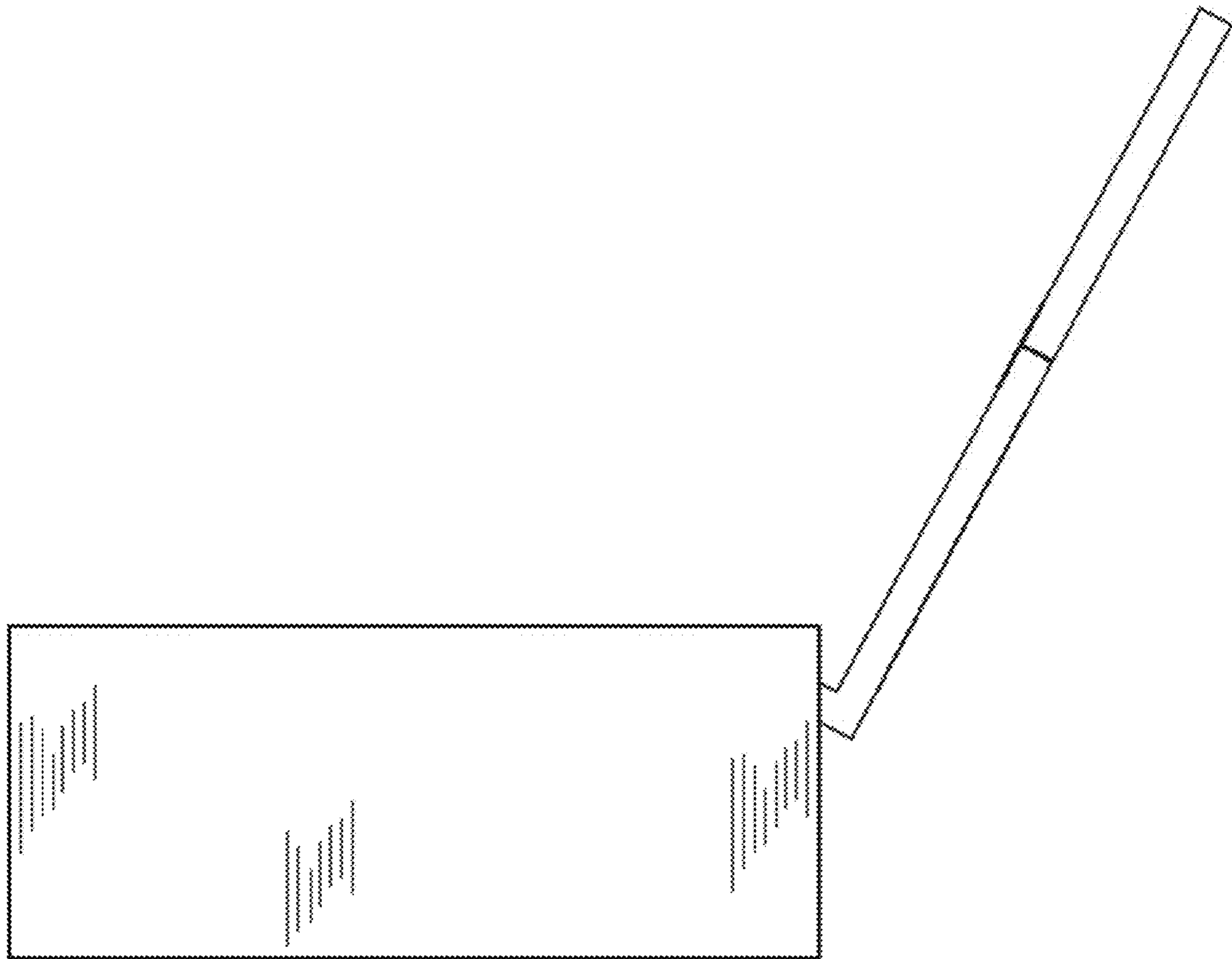


FIG. 6



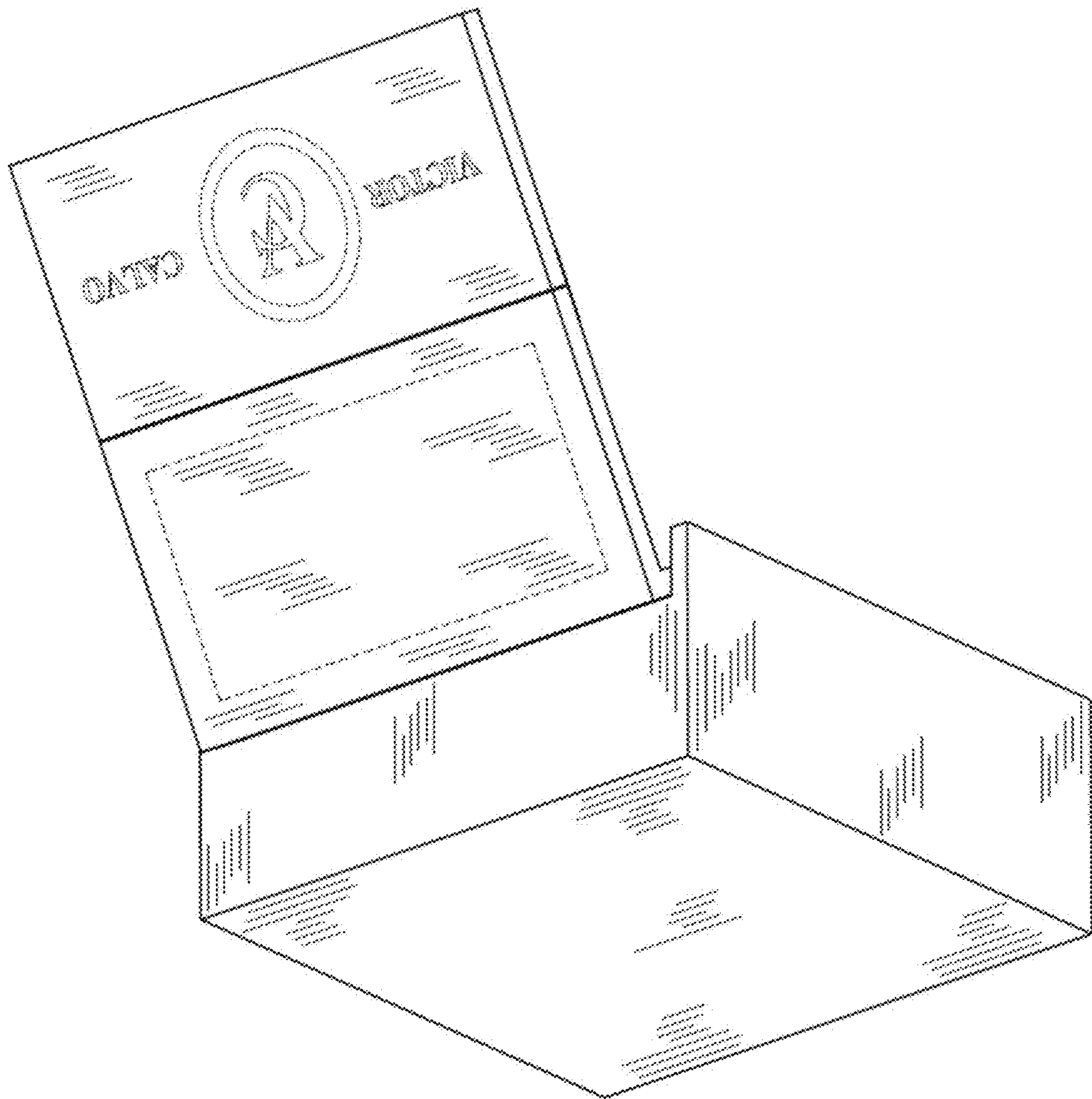


FIG. 7

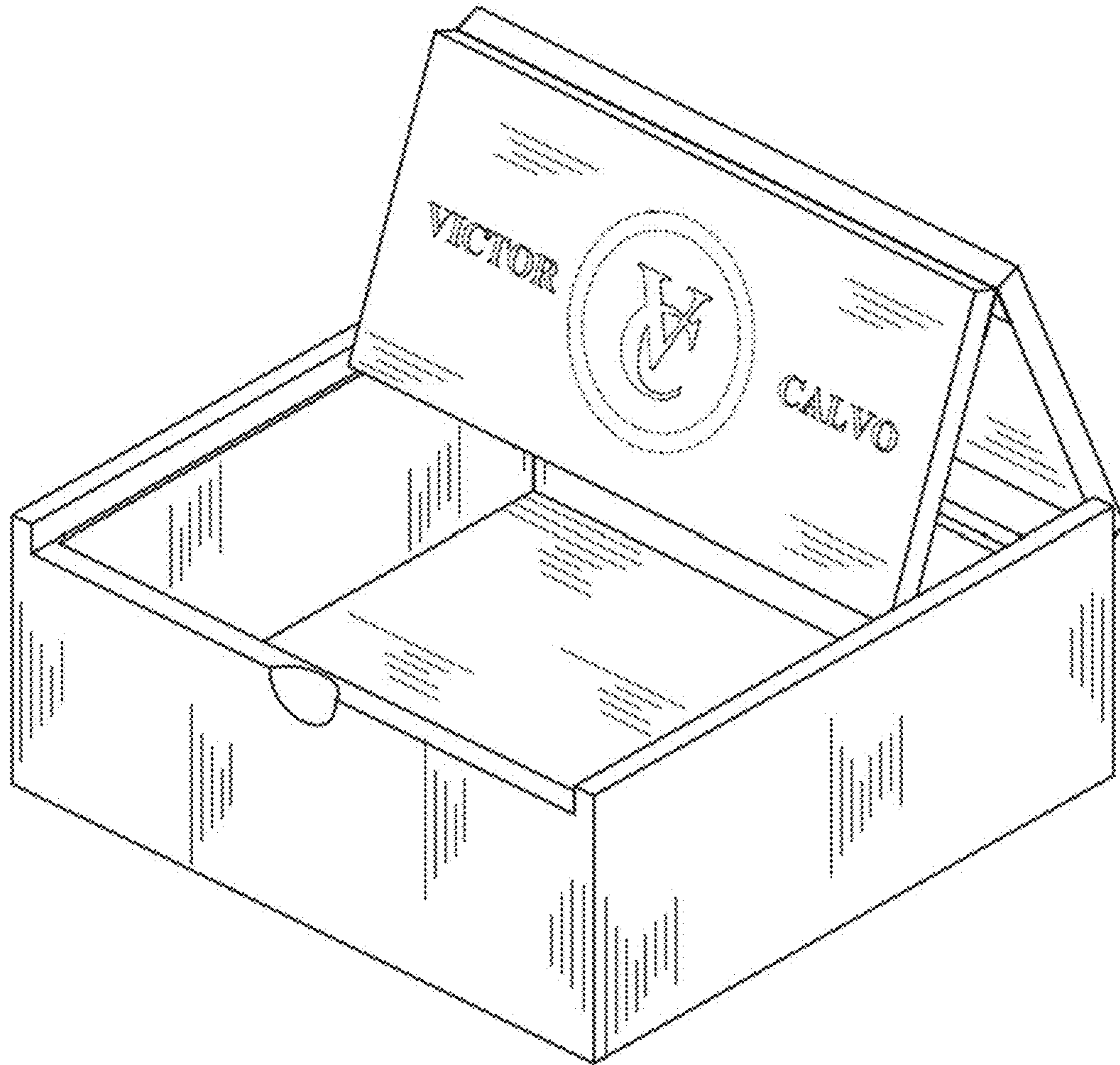


FIG. 8

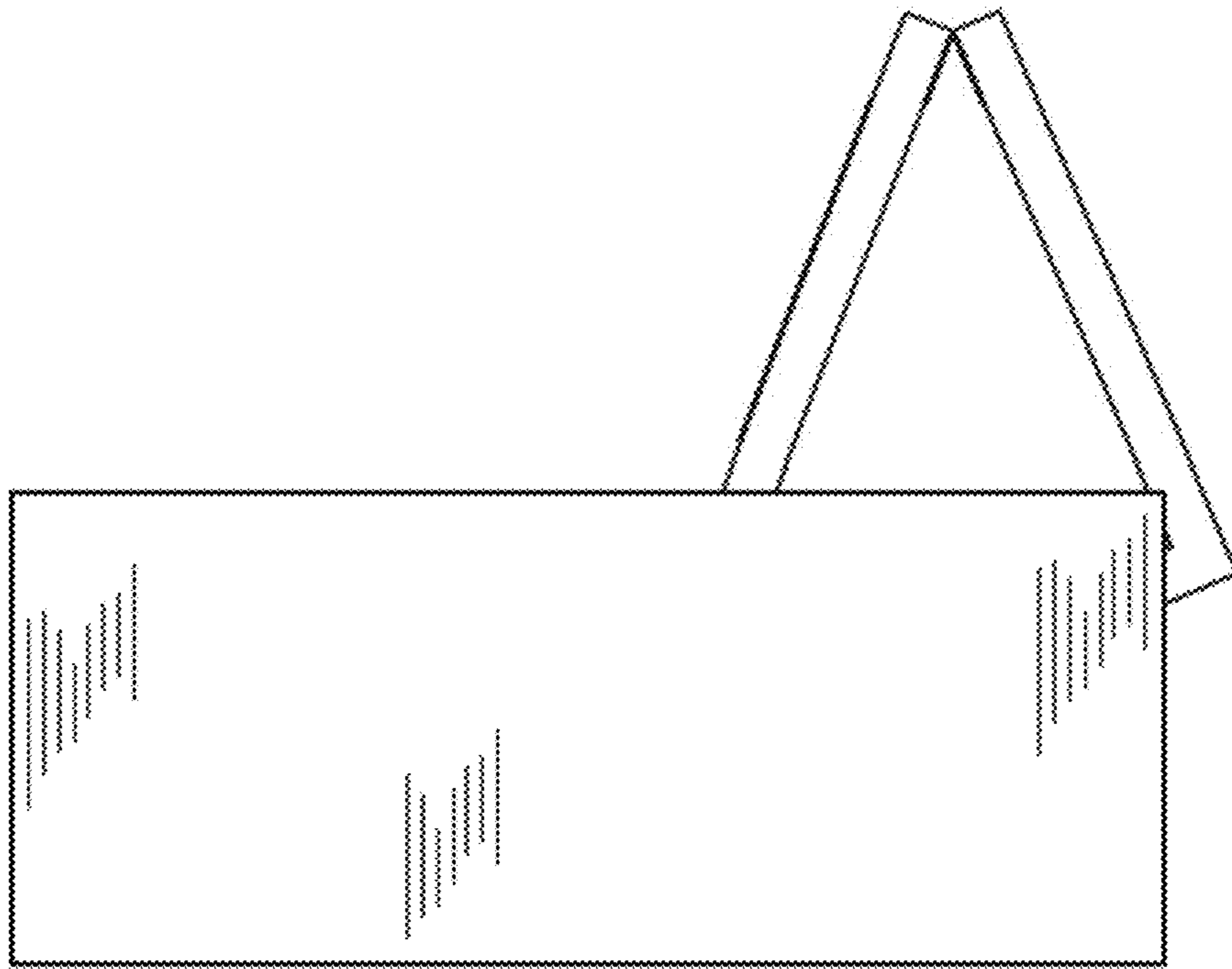


FIG. 9

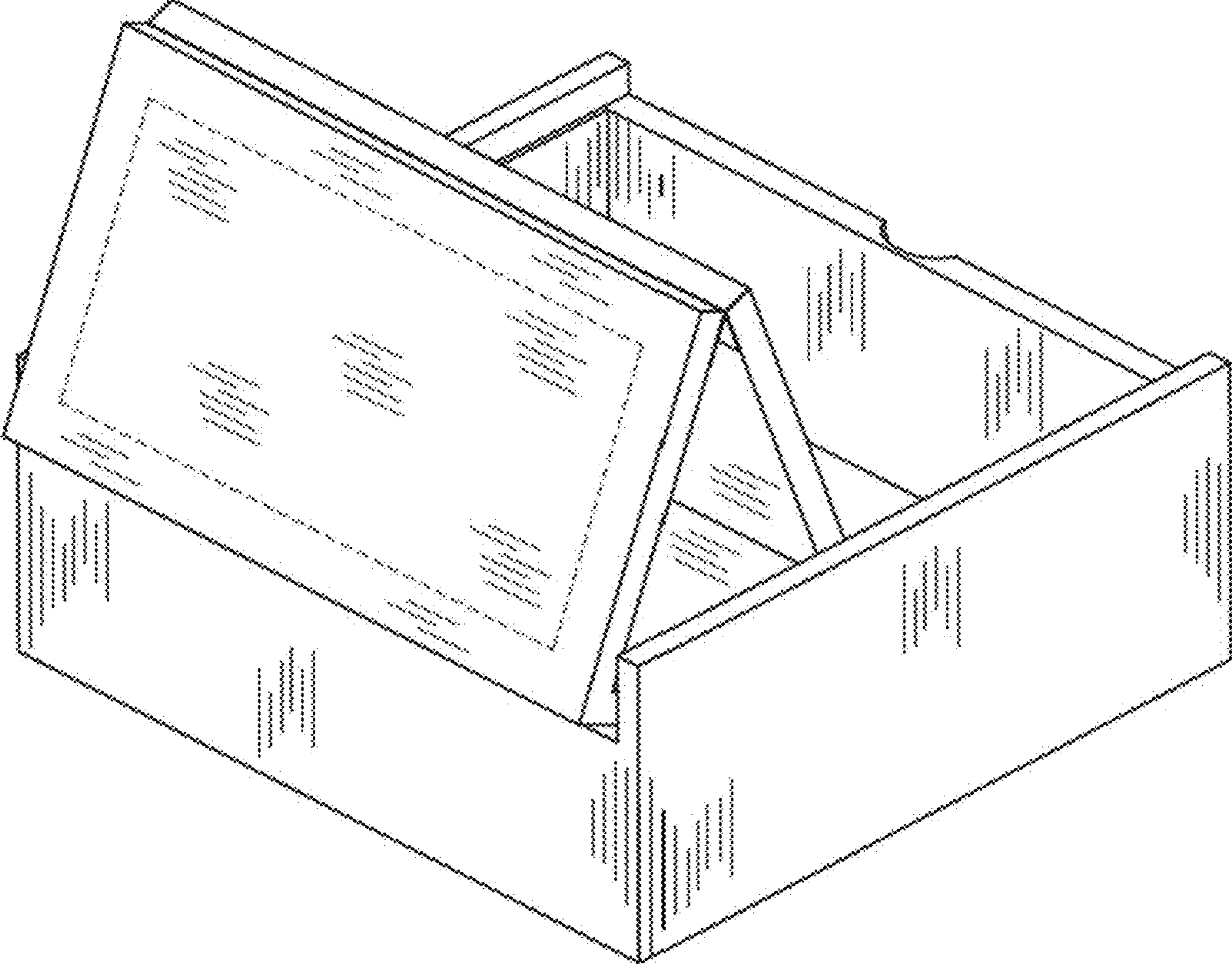


FIG. 10